

R85
**4 Meter (13 Foot) Rotary Disc
Pull-Type Mower Conditioner and
Self-Propelled Windrower Header**

Parts Catalog

214012 Revision B

Original Instruction

R85 4 Meter (13 Foot) Rotary Disc Self-Propelled Windrower Header and Pull-Type Mower Conditioner



1006549

Published: November 2018

NOTE:

Keep your MacDon publications up-to-date. The most current version can be downloaded from our website (www.macdon.com) or from our Dealer-only site (<https://portal.macdon.com>) (login required).

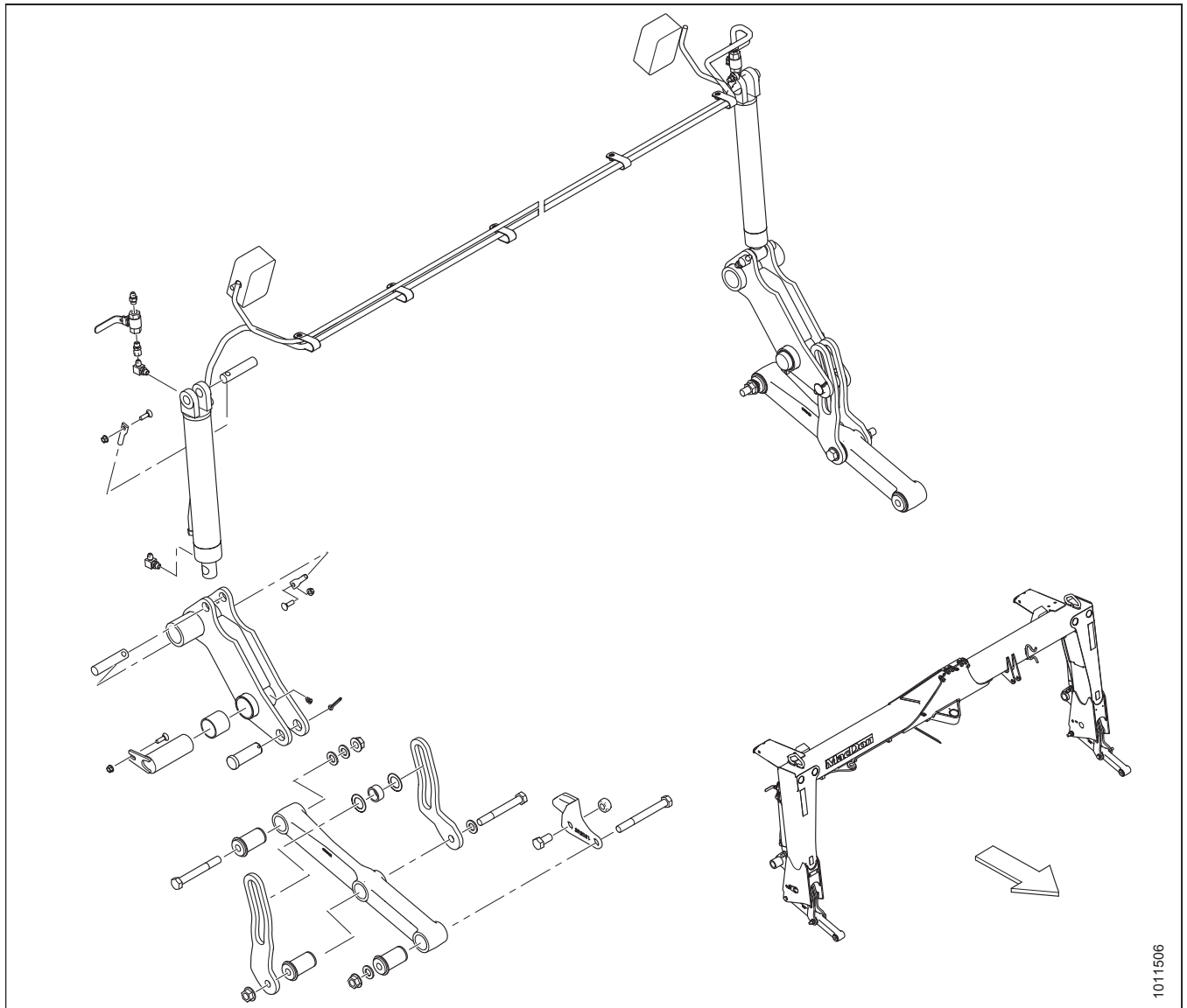
Introduction

This Parts Catalog lists all the replacement parts that can be ordered for a MacDon R85 4 Meter (13 Foot) Rotary Disc Pull-Type Mower Conditioner or Self-Propelled Windrower Header.

When ordering, be sure to use the complete and proper part number. Some parts vary with machine type; be sure you are ordering the correct part number for your unit.

Bold text is used to indicate updates made at the current revision level. With each new revision of the catalog, previous revisions are returned to regular text.

In this catalog, right-hand (RH) and left-hand (LH) are determined from the operator's seated driving position in the tractor or windrower cab. An arrow is sometimes used in illustrations to indicate forward position as shown below.



NOTE:

For specific electrical harness parts, refer to Electrical Connector Parts Catalog (MD #169641).

Abbreviations

A/R – as required (quantity varies)
ASSY – assembly
BHRN – button head rib neck
C/W – complete with
CCW – counterclockwise
CW – clockwise
CSK – countersink
DK – double knife
DT – distorted thread
FLG – flange
HDR – header
HYD – hydraulic
GS – grass seed
MFA – manual fore-aft
I.D. – inside diameter
LG – long
LH – left hand (determined from Operator's position, facing forward)
HFA – hydraulic fore-aft
NC – national coarse thread
NF – national fine thread
NSS – not sold separately
O.D. – outside diameter
OPT – optional
PT – pull-type (mower conditioner)
REF – reference, part number called up elsewhere in catalog
RH – right hand (determined from Operator's position, facing forward)
RHSN – round head, square neck or square neck carriage bolt
RHSSN – round head, short, square neck
SER – serrated
SMV – slow moving vehicle
SK – single knife
SP – self-propelled (windrower) header
SPI – serrations per inch (knife sections)
UDK – untimed double knife

Serial Number Breaks

The side of the serial number on which the dash (–) appears determines whether the part is used "up to" or "after" the serial number given.

Example:

- –162249 Used on machines up to and including serial number 166249
- 166250– Used on machines including and after serial number 166250

Summary of Changes – R85 4 Meter (13 Foot) – 214012 Rev. B

This list covers changes made since the last revision (214012 Rev. A).

Section	Summary of Change	Internal Use Only
OVERALL	Added serial number breaks to all parts specific to a given model year. Added footnotes to clarify serial number breaks.	Tech Pubs
<i>1 Cutterbar Components, page 1</i>	Changed the blade quantities from 8 to 2 as blades can only be ordered in packs of six. To replace all blades, two packages of each clockwise (CW) and counterclockwise (CCW) blades are required.	Tech Pubs
<i>2 Cutterbar – Eight Disc, page 3</i>	Tall spindle assembly 150850 (for 2011) superseded by 198278 (2012 and later) already in list and illustration. Tall spindle gear 194176 removed from list and illustration as it was only meant for use with tall spindle assembly 150850. Updated illustration from 1006724 to 1027387 to show changes.	ECN 45041
<i>5 Conditioner Rolls, page 11</i>	Conditioner panel shield 198276 superseded by 236798. Updated illustration from 1006592 to 1027400 to show changes.	ECN 47879
<i>7 Cages and Cutterbar Drive, page 17</i>	Cage driven deflector 150682 superseded by 268322.	ECN 55593
<i>8 Cutterbar Gearbox Repair Parts, page 19</i>	Double lip seal 111961 superseded by viton seal 268144. Updated illustration from 1006452 to 1027415 to show change.	ECN 56155
<i>11 Header Front Shields, page 27</i>	Channel weldment 198268 (2016 and prior) superseded by 268179 (2017 and later) already on list. LH and RH weldt supports 198050 and 198051 (2016 and prior) superseded by 268181 and 268182 (2017 and later) already on list.	ECN 52521
	Covers 198172 (2016 and prior) and 268184 (2017 and later) both superseded by 268227 and again superseded by 268285.	ECN 51581 ECN 55345 ECN 55170
	Cover latch 268162 superseded by 268212.	ECN 54348
<i>14 Hydraulics, page 35</i>	Removed discontinued seal kit 135480 from list.	ECN 47629
	Added fittings (136412, 136413, and 136631) and harness (207299) to list and illustration, previously located in section “Self-Propelled header forming shields – 2016 and Later”. Updated illustration from 1018895 to 1027538 to show changes.	Parts Tech Pubs
<i>15 Completion Package for Windrower Headers, page 39</i>	Swath baffle weldment shield 236785 superseded by 268268. Baffle plate 146070 superseded by baffle plates kit 268337. Footnote added to clarify included parts in kit.	ECN 54127
	RH and LH boot members 150664 and 150665 superseded by 256047 and 256046.	ECN 55690

Section	Summary of Change	Internal Use Only
<i>16 Carrier Assembly, page 43</i>	Removed incorrect included parts (30702, 140247, 140248, and 140250) from footnote and brackets in illustration from hub 140246. Updated illustration from 1011582 to 1027386 to show changes.	Parts
<i>17 Carrier Frame Components, page 47</i>	Ball valve 148852 superseded by 247875. Updated illustration from 1002595 to 1027413 to show change.	ECN 53392
<i>18 Carrier Springs, page 51</i>	LH double spring assembly 149814 superseded by 268340. RH spring assembly 149815 superseded by 268341.	ECN 57169
<i>19 Hitch Hydraulic Drive – 2012 and Prior, page 53</i>	Changed high pressure hose 146404 (#16 in list) to case drain hose 194089. Added high pressure hose 146404 to list and illustration as #34. Updated illustration from 1002597 to 1022873 to show changes.	Parts
<i>23 Hitch Hydraulics and Electrical, page 67</i>	Service code for 10 micron nominal filter element 151975 changed to SC 5 serviced with filter service kit 183620 (SC 1).	ECN 52331
	Ball valve 148852 superseded by 247875.	ECN 53392
<i>24 Hitch Assembly, page 75</i>	Footnote for included parts for hitch assembly 194475 changed transport lock PT hyd decal 171286 to 259058.	ECN 56335
<i>25 Decals – Information and Reflectors, page 77</i>	Warning decal 44944 superseded by high pressure fluid decal 174436, #10 in section “Decals – Two Panel (Non-Text)”. Removed decal 44944 from list and illustration. Warning decal 134070 superseded by high pressure fluid decal 166466. Removed decal 134070 from list and illustration. Added 166466 to section “Decals – Two Panel (Non-Text)”. Reconfigured list and updated illustration from 1006389 to 1027388 to show changes.	ECN 47310
<i>27 Decals – Two-Panel (Non-Text), page 81</i>	Added high pressure fluid decal 166466 to list and illustration.	ECN 47310
	Two panel install lock decal 194462 superseded by 171287. Updated illustration from 1014300 to 1027389 to show changes.	ECN 47958
	Transport lock PT hyd decal 171286 superseded by 259058.	ECN 56335
<i>29 Self-Propelled Header Forming Shields – 2015 and Prior, page 85</i>	Corrected by replacing LH and RH forming shield brackets 236637 and 236638 (SC 5) with bracket weldt kit 236639. Added footnote to clarify included parts.	Parts
	Rear angle 150211 and LH and RH inner deflectors 194199 and 194200 superseded by 325060, 325061, and 325062. Forming shield channel 236901 superseded by 325063.	ECN 57898
<i>30 Self-Propelled Header Forming Shields – 2016 and Later, page 89</i>	Moved fittings (136412, 136413, and 136631) and harness (207299) from list and illustration to section “Hydraulics”. Removed support 272233 from list and illustration as it was already listed in section “Hydraulics”. Updated illustration from 1018530 to 1027537 to show changes.	Parts Tech Pubs
	Rear angle 150211 and LH and RH inner deflectors 194199 and 194200 superseded by 325060, 325061, and 325062.	ECN 57898

Section	Summary of Change	Internal Use Only
<i>41 (Option) Solid Drums and Shields, page 119</i>	Added section with kit B6155. Kit reduces crop wrapping of the vertical shaft and feeds crop into conditioners more effectively. Illustration #1027393.	ECN 52350
<i>44 (Option) Tractor Utility Hitch Adapter, page 125</i>	Changed description of bundle B4897 and title of section to "Tractor Utility Hitch Adapter" to be consistent with all publications.	Support Parts

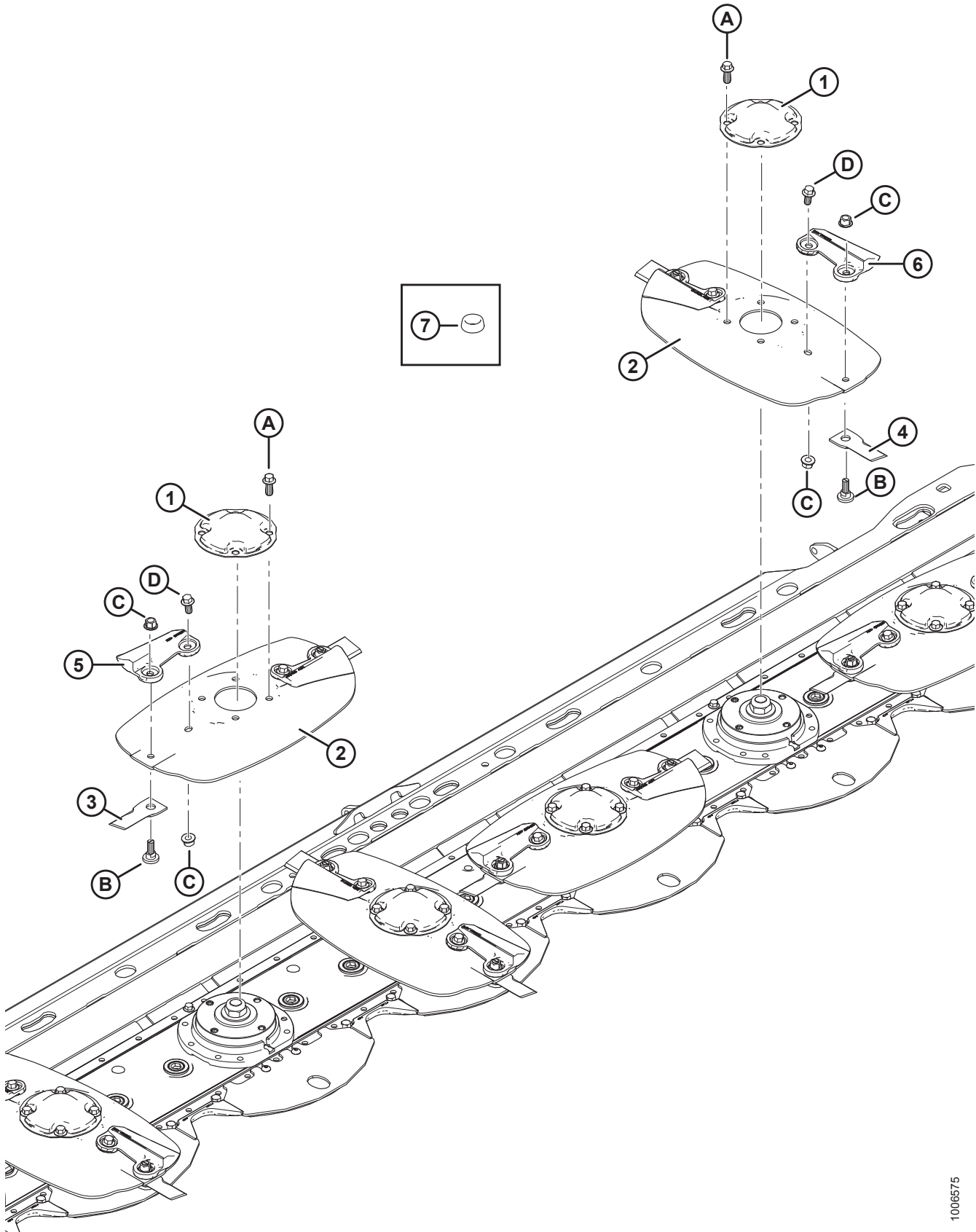
TABLE OF CONTENTS

Introduction	i
Abbreviations	ii
Serial Number Breaks	iii
Summary of Changes – R85 4 Meter (13 Foot) – 214012 Rev. B	iv
1 Cutterbar Components	1
2 Cutterbar – Eight Disc	3
3 Cutterbar and Rockguards	7
4 Cutterbar End Supports	9
5 Conditioner Rolls	11
6 Cutterbar and Conditioner to Frame	15
7 Cages and Cutterbar Drive	17
8 Cutterbar Gearbox Repair Parts	19
9 Roll Drive	21
10 Header Top Shields	25
11 Header Front Shields	27
12 Header Drive Shields	31
13 Wiring and Speed Sensor	33
14 Hydraulics	35
15 Completion Package for Windrower Headers	39
16 Carrier Assembly	43
17 Carrier Frame Components	47
18 Carrier Springs	51
19 Hitch Hydraulic Drive – 2012 and Prior	53
20 Hitch Drive Gearbox – 2012 and Prior	57
21 Hitch Hydraulic Drive – 2013 and Later	59
22 Front Half Drivelines	63
23 Hitch Hydraulics and Electrical	67
24 Hitch Assembly	75
25 Decals – Information and Reflectors	77
26 Decals – Product Identification	79
27 Decals – Two-Panel (Non-Text)	81
28 Latches	83
29 Self-Propelled Header Forming Shields – 2015 and Prior	85
30 Self-Propelled Header Forming Shields – 2016 and Later	89
31 Pull-Type Forming Shields	93
32 Hydraulic Header Angle Kit	95
33 R85 to M205 – Connections	97
34 (Option) Drawbar Hitch	101
35 (Option) Header Drive Performance Improvement Kit	103
36 (Option) Mechanical Header Angle	105
37 (Option) M150/M155 to R85 Hydraulic Drive	107
38 (Option) M200 to R85 Hydraulic Drive	111

TABLE OF CONTENTS

39	(Option) Pressure Gauge and Feed Plate	115
40	(Option) Skid Shoes	117
41	(Option) Solid Drums and Shields	119
42	(Option) Tall Crop Dividers	121
43	(Option) Three-Point Hitch Adapter	123
44	(Option) Tractor Utility Hitch Adapter	125
	Index	128

1 Cutterbar Components

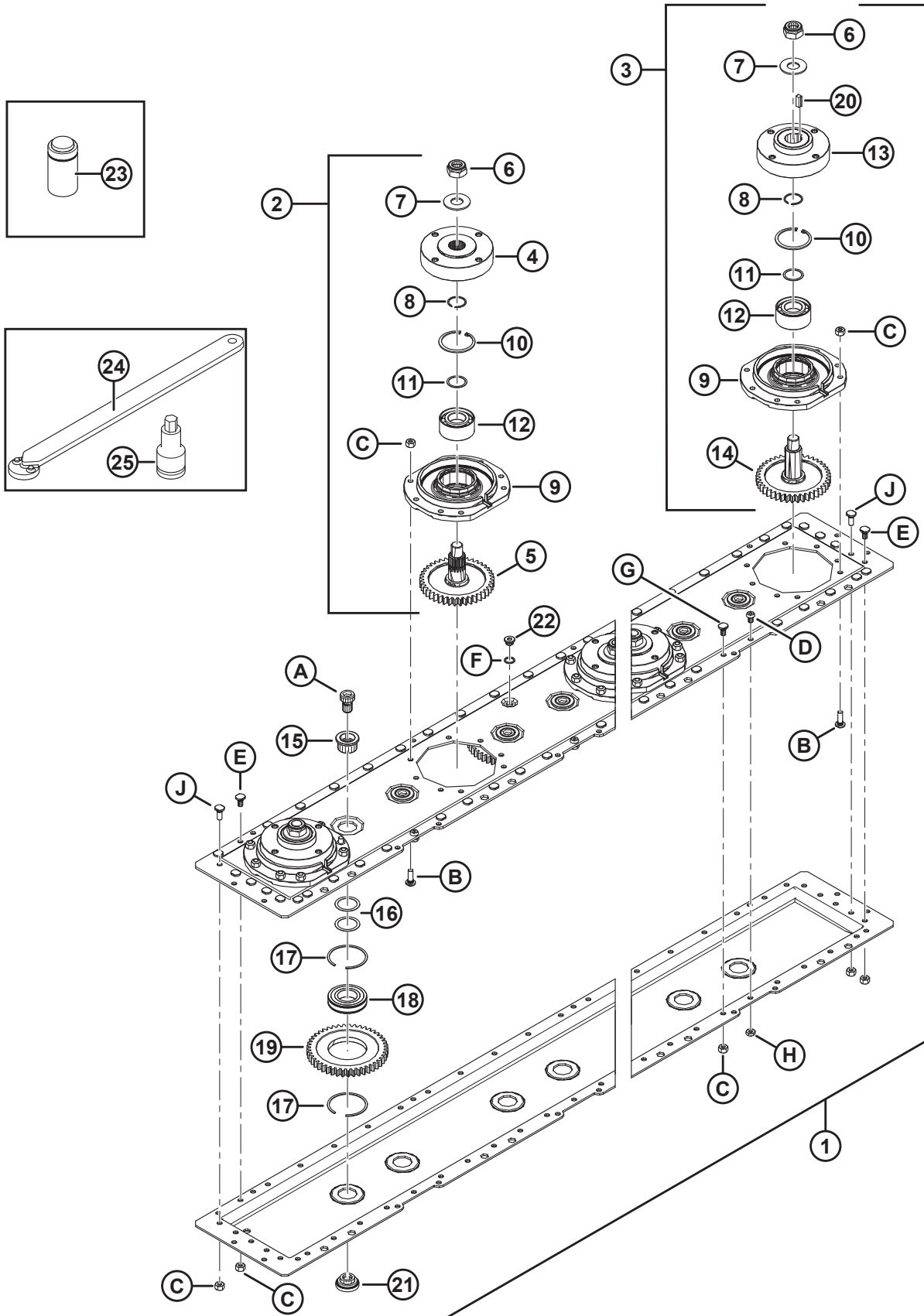


CUTTERBAR COMPONENTS

Ref	Part Number	Description	Qty	Serial Number
1	148735	COVER	7	
2	148730	DISC – WELDT	8	
3	268204	BLADE – CW, 18° BEVEL DN (6 PACK) ¹	2	
	268205	BLADE – CW, 11° BEVEL DN (6 PACK) ¹	2	
4	268206	BLADE – CCW, 18° BEVEL DN (6 PACK) ¹	2	
	268207	BLADE – CCW, 11° BEVEL DN (6 PACK) ¹	2	
5	150413	ACCELERATOR – CW	8	
6	150734	ACCELERATOR – CCW	8	
7	221530	SHIELD – NUT	OPT	
A	148798	BOLT – HH FLANGE M12 X 1.75 X 30 LG ZP		
B	148644	BOLT – SHOULDER, BLADE PIVOT		
C	148645	NUT – LOCK FLG STOVER M12 X 1.75 ZP		
D	148800	BOLT – HH FLANGE M12 X 1.75 X 25 LG ZP		

-
1. Replacement blades are sold in packages of six. To replace all blades, two packages of each clockwise (CW) and counterclockwise (CCW) blades are required.

2 Cutterbar – Eight Disc

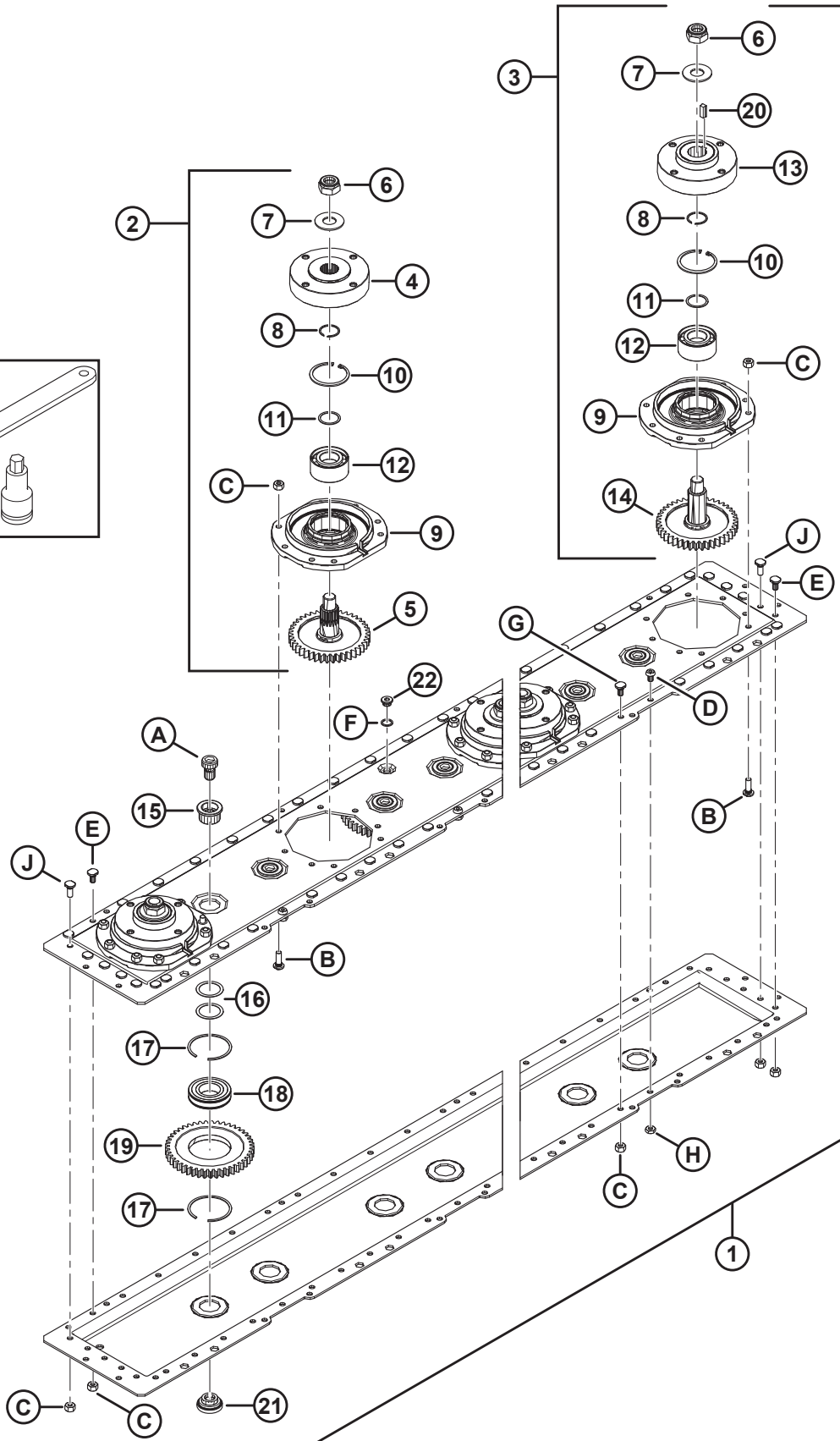
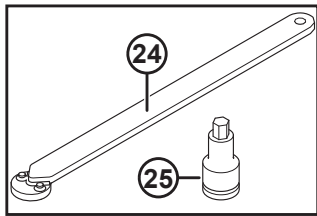
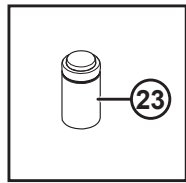


CUTTERBAR – EIGHT DISC

Ref	Part Number	Description	Qty	Serial Number
	B4905	KIT – CUTTERBAR REPAIR TOOL ²		
1	146926	CUTTERBAR ASSY. – 13 FT ROTARY 8 DISC COMPLETE	1	
2	150849	SPINDLE ASSEMBLY – SHORT ³	6	–216509
	194653	SPINDLE ASSEMBLY – SHORT ⁴	6	216510–
3	198278	SPINDLE ASSEMBLY – TALL ⁵	2	
4	268095	FLANGE – SPINDLE, SHORT	6	
5	194175	GEAR – SPINDLE, SHORT ⁶	6	–216509
	194651	GEAR – SPINDLE, SHORT (SHEAR KEY TYPE) ⁷	6	216510–
6	150842	LOCKNUT	8	
7	150837	SPRING – BELLEVILLE	8	
8	150845	SNAP RING	8	
9	NSS	MOUNTING – SPINDLE	8	
10	150844	SNAP RING	8	
11	150832	SPACER	8	
12	150838	BEARING	8	
13	268096	FLANGE – SPINDLE, TALL	2	
14	198516	GEAR – SPINDLE, TALL	2	
15	150834	BUSHING – CUTTERBAR	14	
16	150826	SHIM	28	
17	150829	SNAP RING	28	
18	150833	BEARING	14	
19	150852	GEAR ASSEMBLY, 45T ⁸	14	
20	198280	KEY – SPINDLE SHEAR	2	
21	150835	PIN	14	
22	150830	PLUG – 3/8 IN. GAS (FILL QTY 3 / DRAIN QTY 1)	2	
23	222705	TOOL – BUSHING EXTRACTION	1	
	115670	O-RING	1	

2. Kit includes spanner wrench tool (MD #194179), socket tool (MD #194178), bushing extraction tool (MD #222705), and bolt (MD #184674). Kits available through Whole Goods only.
3. For 2011 and prior model year units. Includes #4–12.
4. For 2012 and later model year units. Includes #4–12.
5. Includes #6–14 and 20.
6. For 2011 and prior model year units.
7. For 2012 and later model year units.
8. Includes bearing (MD #150833).

CUTTERBAR – EIGHT DISC

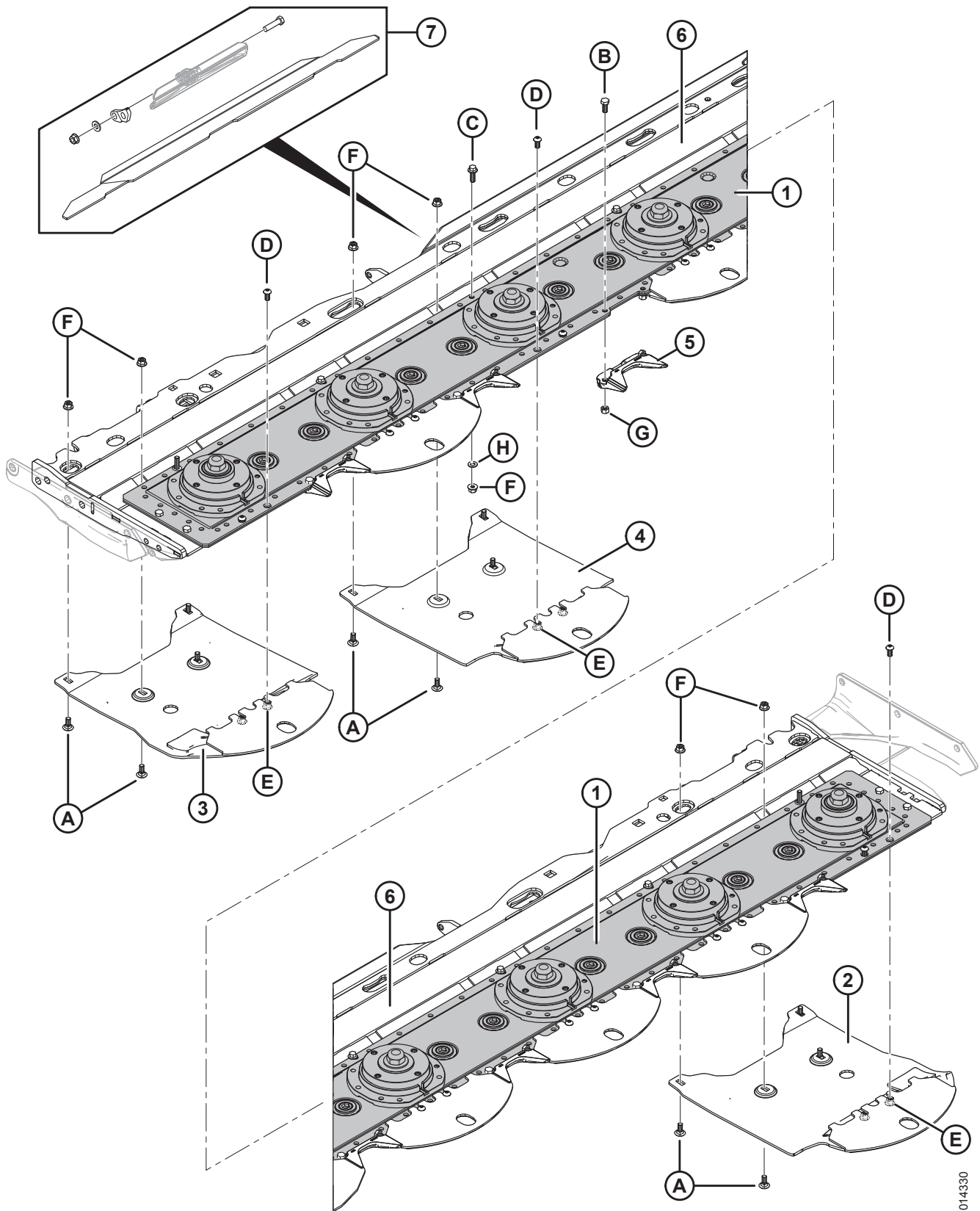


1027387

CUTTERBAR – EIGHT DISC

Ref	Part Number	Description	Qty	Serial Number
24	194179	TOOL – SPANNER WRENCH	1	
25	194178	TOOL – SOCKET	1	
A	150828	BOLT – SHOULDER, M20, 30 MM LG, SILVER		
B	150827	SCREW – SELF-TAPPING, M10, 30 MM LG, SILVER		
C	150840	NUT – REGULAR HEX, M10, SILVER		
D	150839	BOLT – SOCKET HEAD, M10, 15 MM LG, SILVER		
E	150831	SCREW – BUTTON HD RIB NK, M10, 25 MM LG, SILVER		
F	150843	WASHER – FLAT, 17 MM I.D., 22 MM O.D., 1.5 MM THK, SLVR		
G	150846	SCREW – BUTTON HD RIB NK, M10, 19 MM LG, SILVER		
H	150841	NUT – REGULAR HEX, M10, SILVER		
J	150836	SCREW – BUTTON HD RIB NK, M10, 43 IN. LG, SILVER		

3 Cutterbar and Rockguards



CUTTERBAR AND ROCKGUARDS

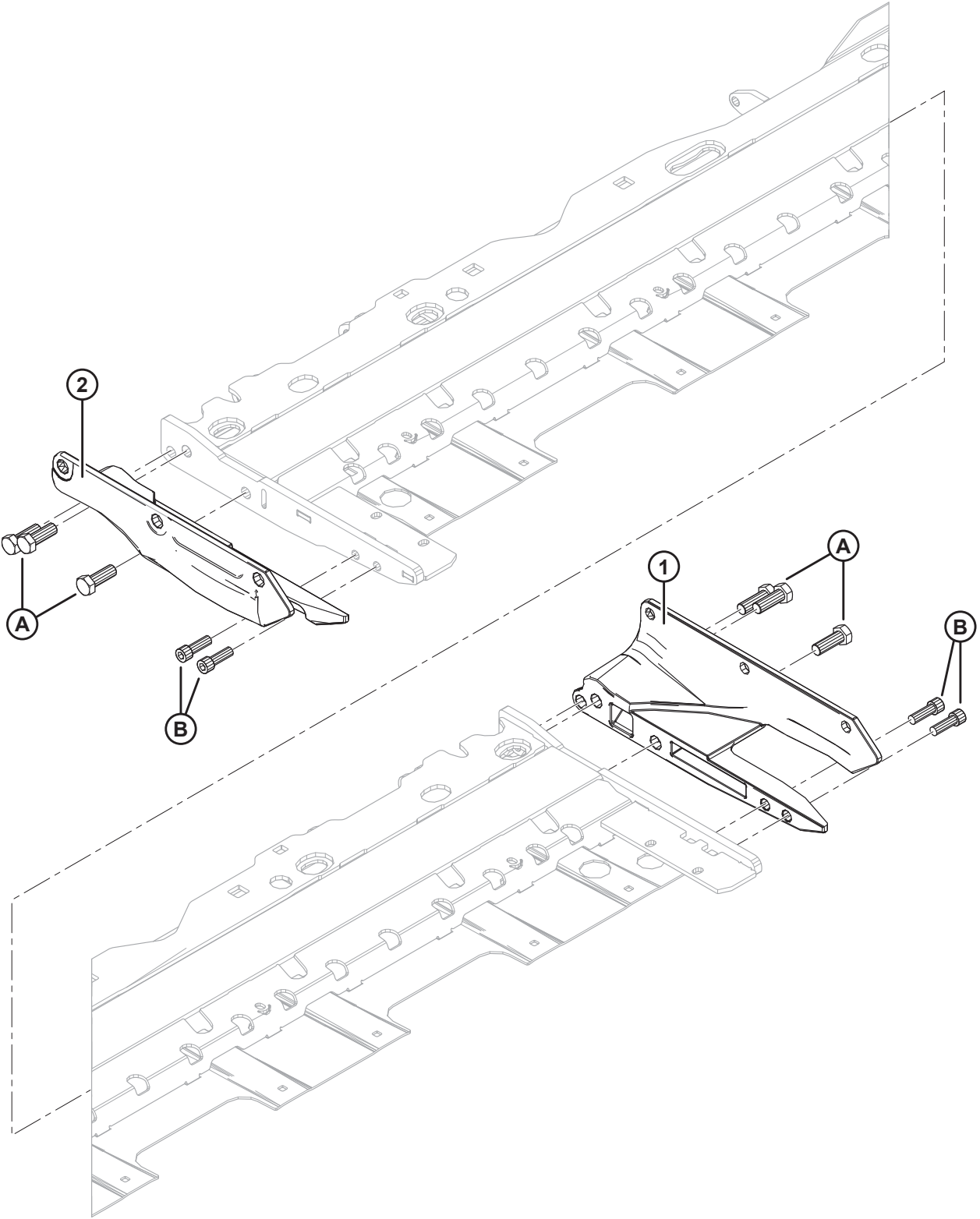
Ref	Part Number	Description	Qty	Serial Number
1	146926	CUTTERBAR ASSY. – 13 FT ROTARY 8 DISC COMPLETE ⁹	1	
2	146293	GUARD – LH CONT WELDT	1	
3	146371	GUARD – RH CONT WELDT	1	
4	157946	GUARD – CENTER WELDT	6	
5	157202	GUARD – NOTCH, COUNTER ROTATING	7	
6	198055	SUPPORT – WELDT, 8 DISC CUTTERBAR ¹⁰	1	
7	236483	KIT – AUGER CENTER SUPPORT BRACKET REPAIR ¹¹	A/R	
A	135785	BOLT – RHSN M10 X 1.5 X 25 LG ZP		
B	30627	BOLT – HH M10 X 1.5 X 25 LG ZP		
C	184665	BOLT – HEX HD FLANGE M10 X 1.5 X 30 LG ZP		
D	135723	BOLT – BUTTON HD HEX SOCKET ZP M10 X 20		
E	135799	NUT – FLG CENTER LOCK SM FACE M10-1.5		
F	50101	NUT – FLG LOCK PREV TORQUE SM FACE M10-1.5		
G	135800	NUT – CENTER LOCK, STYLE 1, M10-1.5		
H	18598	WASHER – FLAT SAE 13-32 I.D.		

9. For service parts, refer to Section *2 Cutterbar – Eight Disc, page 3*.

10. Does not include cutterbar ends. For cutterbar ends refer to Section *4 Cutterbar End Supports, page 9*.

11. Repair lug at rear center of support (MD #198055).

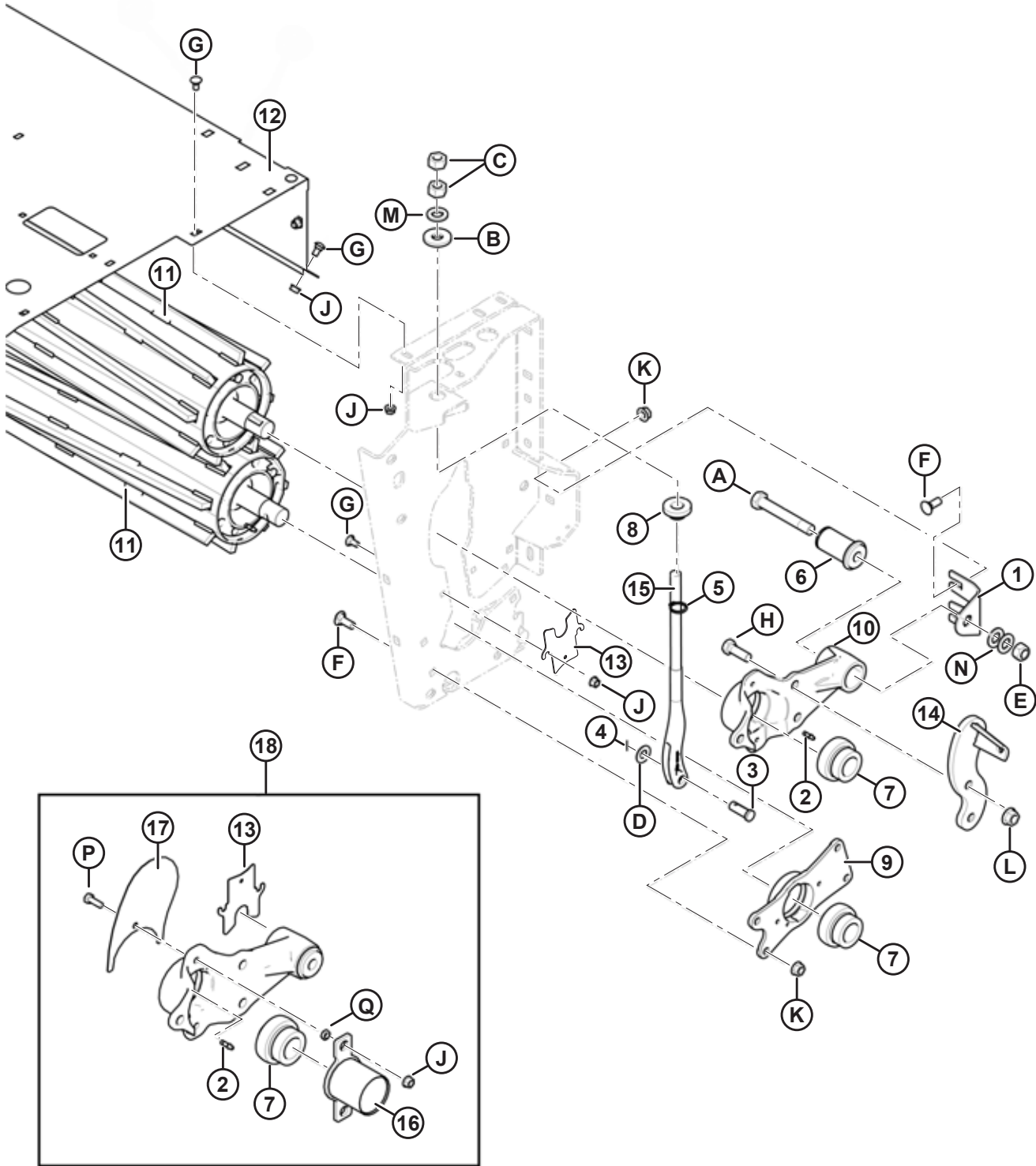
4 Cutterbar End Supports



CUTTERBAR END SUPPORTS

Ref	Part Number	Description	Qty	Serial Number
1	236954	SUPPORT – CRADLE LH	1	
2	236955	SUPPORT – CRADLE RH	1	
A	21582	BOLT – HH 5/8 NC X 1.75 LG GR 5 ZP		
B	252669	SCREW – HEX SOC HD 1/2-13 X 1.5-GR5-AC0C		

5 Conditioner Rolls



CONDITIONER ROLLS

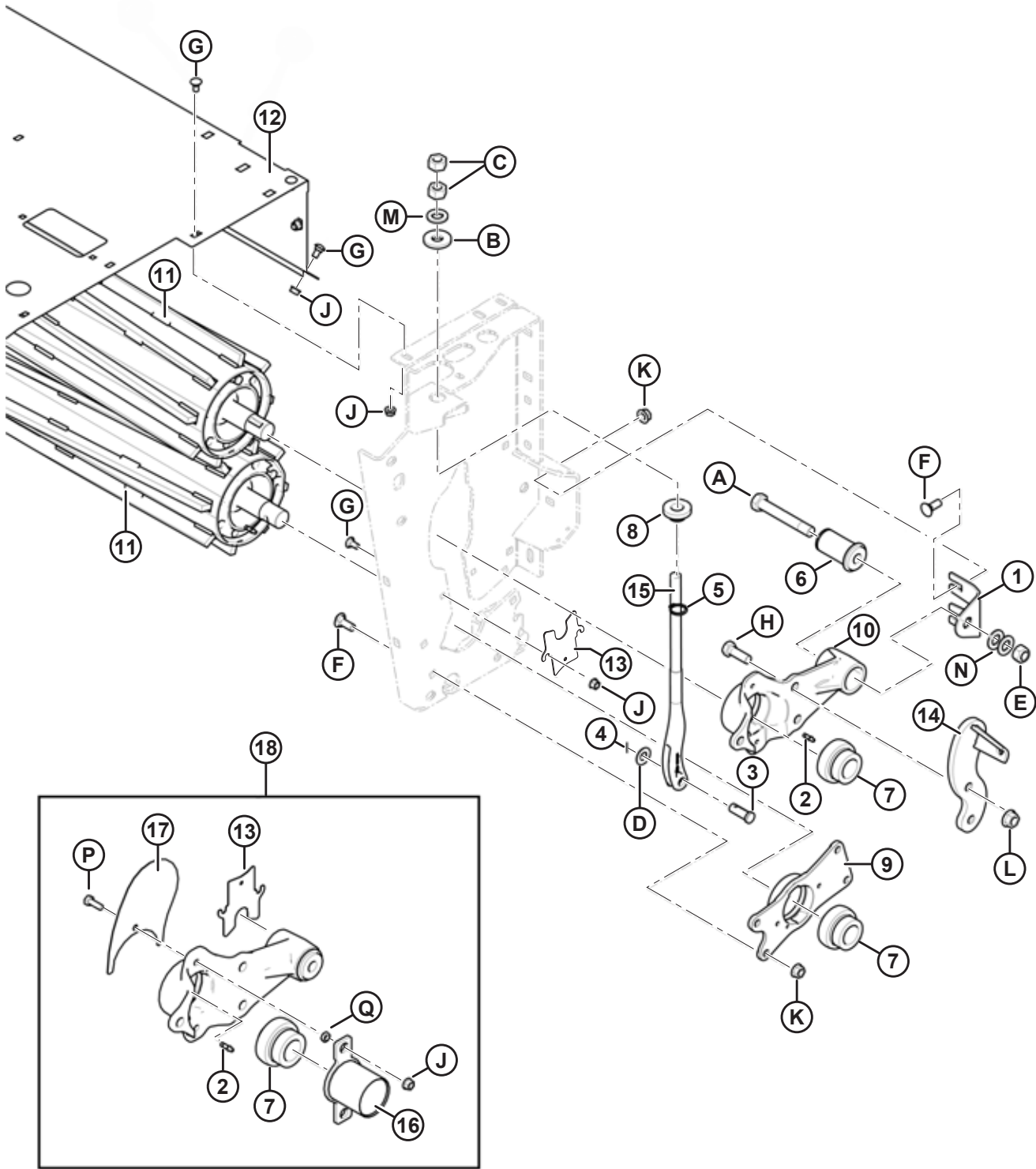
Ref	Part Number	Description	Qty	Serial Number
1	268024	ANGLE	2	
2	7536	FITTING – LUBRICATION 1/4-28 TAPER THD	4	
3	18619	PIN – CLEVIS	2	
4	18648	PIN – COTTER 3/16 DIA X 1.25 ZP	2	
5	135764	RING – EXT RETAINING HEAVY DUTY	2	
6	149342	BUSHING – RUBBER	2	
7	149950	BEARING – SPH O.D. C/W COLLAR 1.5 IN. BORE	4	
8	157334	STOP – PLASTIC	2	
9	196989	HOUSING – LOWER COND ROLL BRG	2	
10	236790	ARM – C/W BUSHING ¹²	2	229510–
11	198154	ROLL – BALANCED	2	
12	198205	COVER – CONDITIONER, ROTARY	1	
13	236798	SHIELD – CONDITIONER PANEL	2	
14	198312	ARM – CRANK WELDT LH	1	
	198313	ARM – CRANK WELDT RH	1	
15	198419	STOP – MACHINED	2	
16	236786	SHIELD – WELDMENT ¹³	1	–229509
17	236662	SHIELD ¹³	1	–229509
18	236845	KIT – CONDITIONER ARM REPAIR ¹⁴	A/R	–229509

12. For 2013 and later model year units. Includes bushing (MD #149342). For 2012 and prior model year units order conditioner arm repair kit MD #236845.

13. For 2012 and prior model year units.

14. For 2012 and prior model year units. All parts included in this kit can be ordered separately. Kit includes arm (MD #236790), bearing (MD #149950), fitting (MD #7536), shields (MD #236786, 236662, 236798), hardware (MD #20077, 18664, 30228), and kit instruction.

CONDITIONER ROLLS

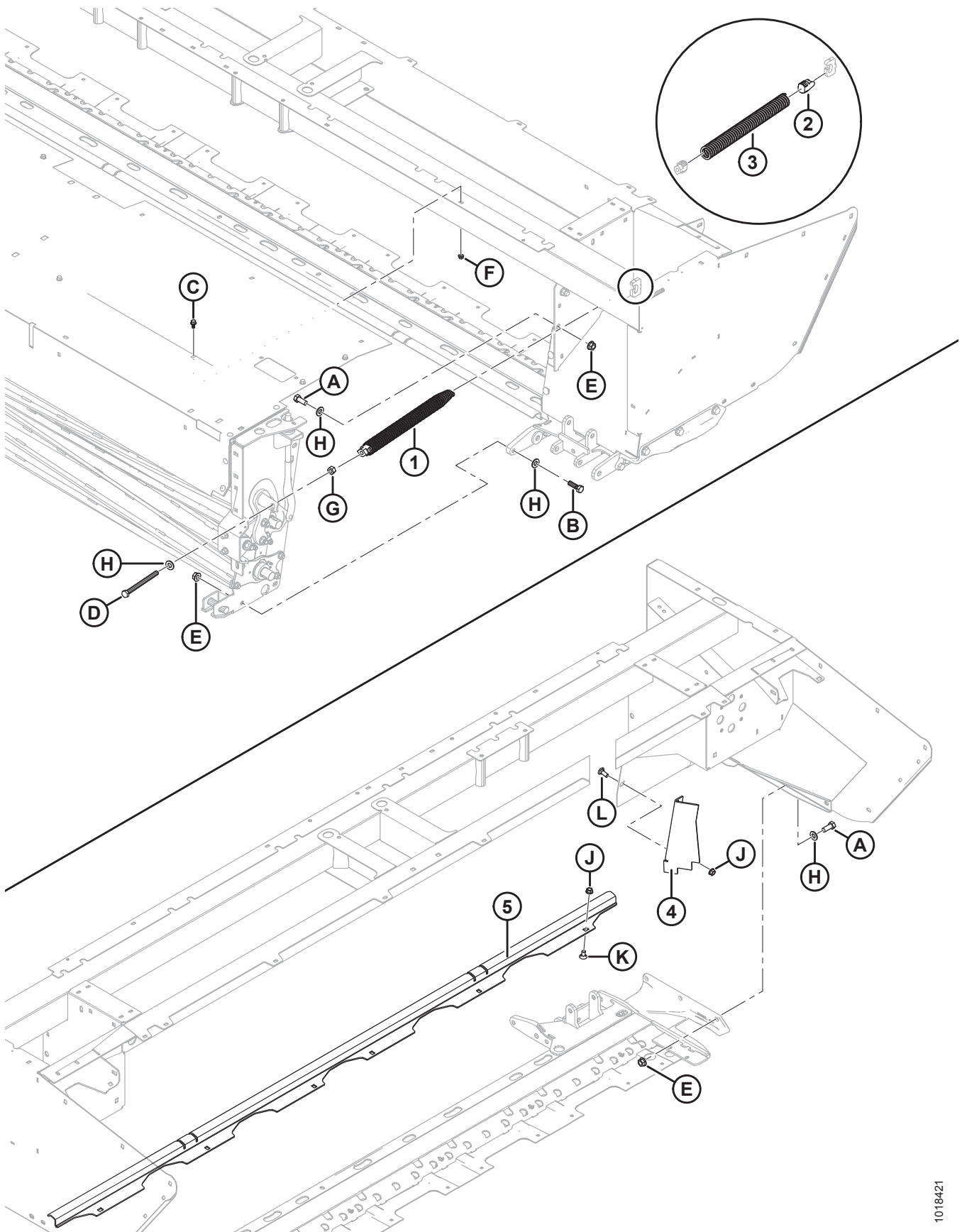


1027400

CONDITIONER ROLLS

Ref	Part Number	Description	Qty	Serial Number
A	21599	BOLT – HH 3/4 NC X 5.0 LG GR 5 ZP		
B	6647	WASHER – FLAT		
C	18593	NUT – HEX 3/4-10 UNC GR 5 ZP		
D	18600	WASHER – SAE FLAT 21/32 I.D. X 1-5/16 IN. O.D. ZP		
E	18689	NUT – HEX LOCK DT .750-10 UNC		
F	21471	BOLT – RHSN 1/2 NC X 1.25 GR 5 ZP		
G	21472	BOLT – RHSN 3/8 NC X 0.75 GR 5 ZP		
H	21582	BOLT – HH 5/8 NC X 1.75 LG GR 5 ZP		
J	30228	NUT – FLANGE DT SMOOTH FACE 0.375-16 UNC		
K	50186	NUT – FLANGE LOCK SM FACE DT 0.500-13 UNC GR 5		
L	50225	NUT – FLANGE DT SMOOTH FACE .625-11 UNC		
M	21540	WASHER – HARDENED		
N	18601	WASHER – FLAT 13/32 10 X 1-1/2 O.D.		
P	20077	BOLT – HEX HD 3/8 NC X 1.0 LG GR 5 ZP		
Q	18664	NUT – HEX JAM 3/8-16 UNC GR 5 ZP		

6 Cutterbar and Conditioner to Frame



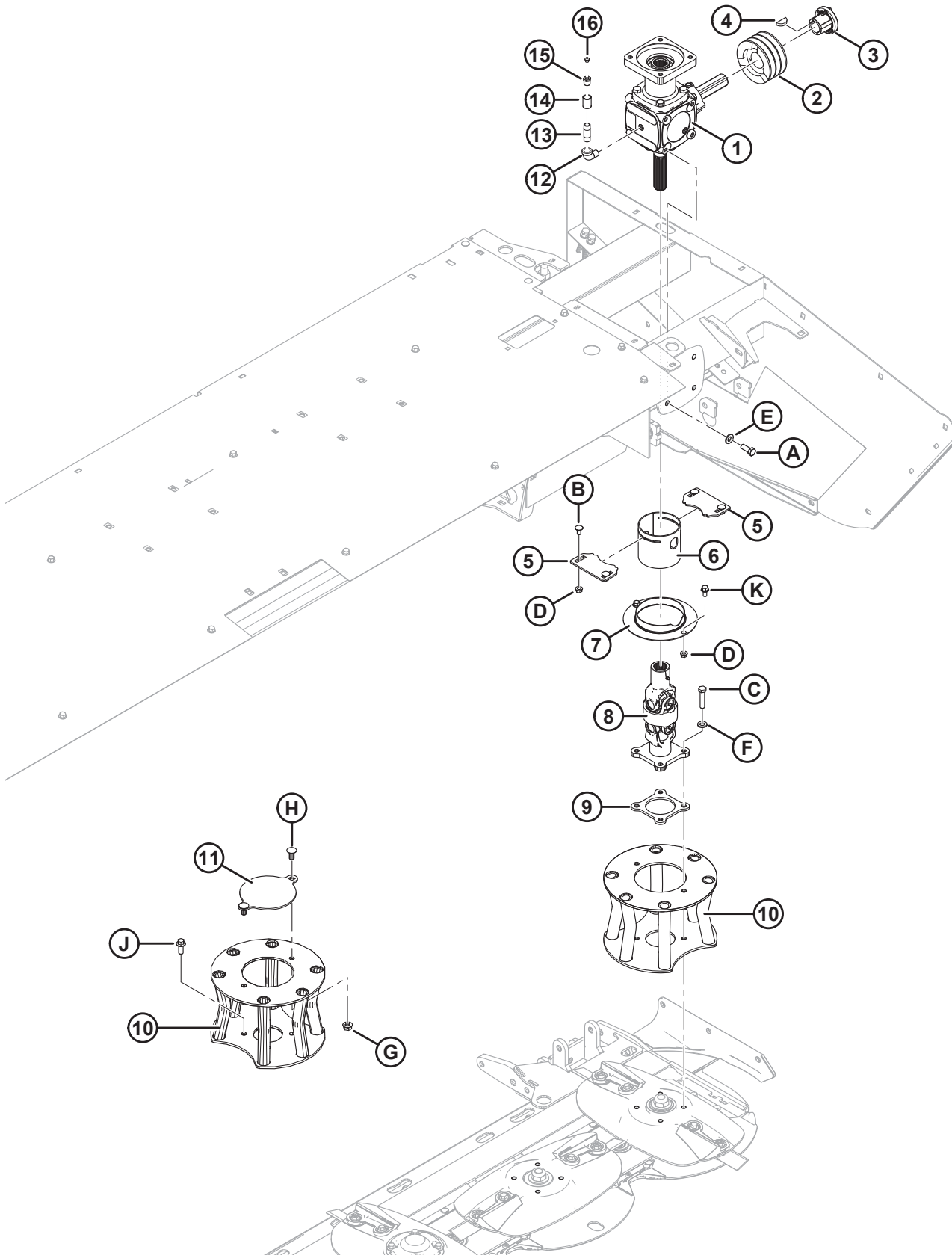
CUTTERBAR AND CONDITIONER TO FRAME

Ref	Part Number	Description	Qty	Serial Number
1	196279	SPRING – ASSEMBLY ¹⁵	2	229510–
2	150350	INSERT – SPRING, BAR ¹⁶	A/R	–229509
3	196260	SPRING – EXTENSION ¹⁶	A/R	–229509
4	198944	DEFLECTOR – LH	1	
	198945	DEFLECTOR – RH	1	
5	198934	PAN – CENTER	1	
A	21594	BOLT – HEX HD 0.625-11 UNC X 1.50		
B	21587	BOLT – HH 5/8 NC X 2.0 LG GR 5 ZP		
C	21821	BOLT – HH FLG (SER FACE) 3/8 NC X 0.75 GR 5 ZP		
D	135906	BOLT – HH 5/8 NC X 7.5 TFL LG GR 5 ZP		
E	50225	NUT – FLANGE DT SMOOTH FACE .625-11 UNC		
F	30228	NUT – FLANGE DT SMOOTH FACE 0.375-16 UNC		
G	18592	NUT – HEX 5/8-11 UNC GR 5 ZP		
H	30441	WASHER – HARDENED		
J	50186	NUT – FLANGE LOCK SM FACE DT 0.500-13 UNC GR 5		
K	21066	BOLT – RHSN 1/2 NC X 1 GR 5 ZP		
L	21471	BOLT – RHSN 1/2 NC X 1.25 GR 5 ZP		

15. For 2013 and later model year units.

16. For 2012 and prior model year units. For 2013 and later model year units, or to replace entire spring assembly, order complete spring assembly (MD #196279).

7 Cages and Cutterbar Drive

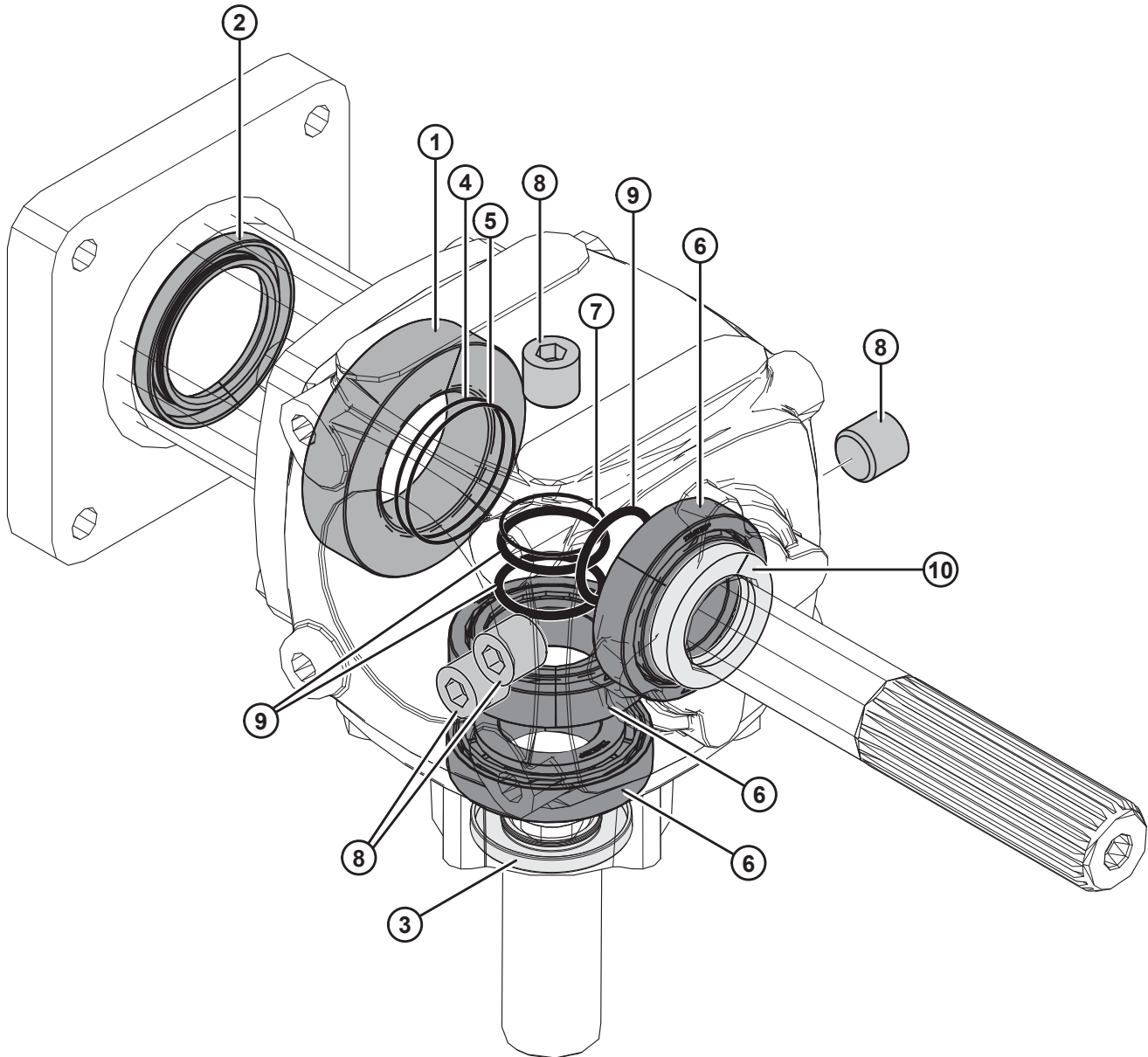


CAGES AND CUTTERBAR DRIVE

Ref	Part Number	Description	Qty	Serial Number
1	149545	GEARBOX – COMPLETE ¹⁷	1	
2	198225	PULLEY – 3 HB	1	
3	115074	BUSHING – SPLIT TAPER	1	
4	135485	KEY – WOODRUFF (5/16 X 1-3/8 NOM.)	1	
5	146378	SHIELD – WELDT	2	
6	146380	SHIELD	1	
7	150821	SHIELD – WELDT	1	
8	149875	UNIVERSAL JOINT ASSY	1	
	124541	CROSS JOURNAL KIT		
	150898	YOKE		
9	198469	SPACER	1	
10	268322	DEFLECTOR – DRIVEN-CAGE	2	
11	150730	PLATE	1	
12	5735	FITTING – 90° STREET ELBOW 3/8 NPT	1	
13	5734	FITTING – SHORT NIPPLE 3/8 NPT	1	
14	30946	FITTING – COUPLING 3/8 NPT	1	
15	21024	FITTING – REDUCER BUSHING	1	
16	21425	VALVE – RELIEF	1	
A	21491	BOLT – HH 1/2 NC X 1.25 LG GR 5 ZP		
B	21472	BOLT – RHSN 3/8 NC X 0.75 GR 5 ZP		
C	152779	BOLT – HH M12 X 1.75 X 55 LG ZP		
D	30228	NUT – FLANGE DT SMOOTH FACE 0.375-16 UNC		
E	135369	WASHER – HARDENED		
F	30636	WASHER – FLAT		
G	50186	NUT – FLANGE LOCK SM FACE DT 0.500-13 UNC GR 5		
H	21868	BOLT – RHSSN 1/2 NC X 1.0 GR 5 ZP		
J	148799	BOLT – HH FLANGE M12 X 1.75 X 45-10.9-A3L		
K	21821	BOLT – HH FLG (SER FACE) 3/8 NC X 0.75 GR 5 ZP		

17. For service parts, refer to Section 8 *Cutterbar Gearbox Repair Parts*, page 19.

8 Cutterbar Gearbox Repair Parts

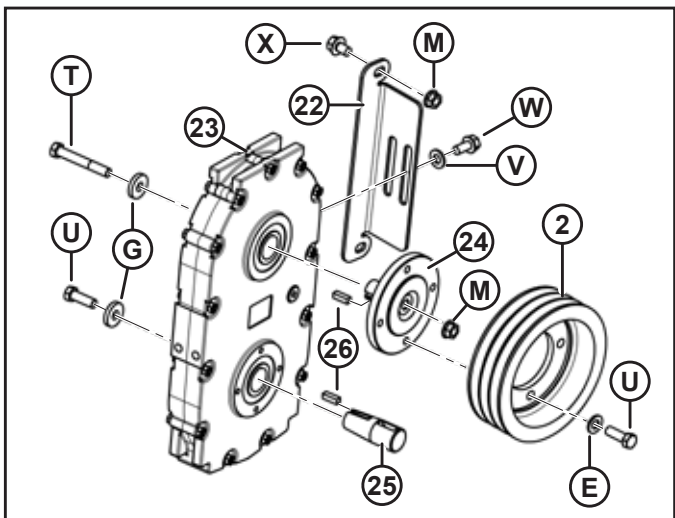
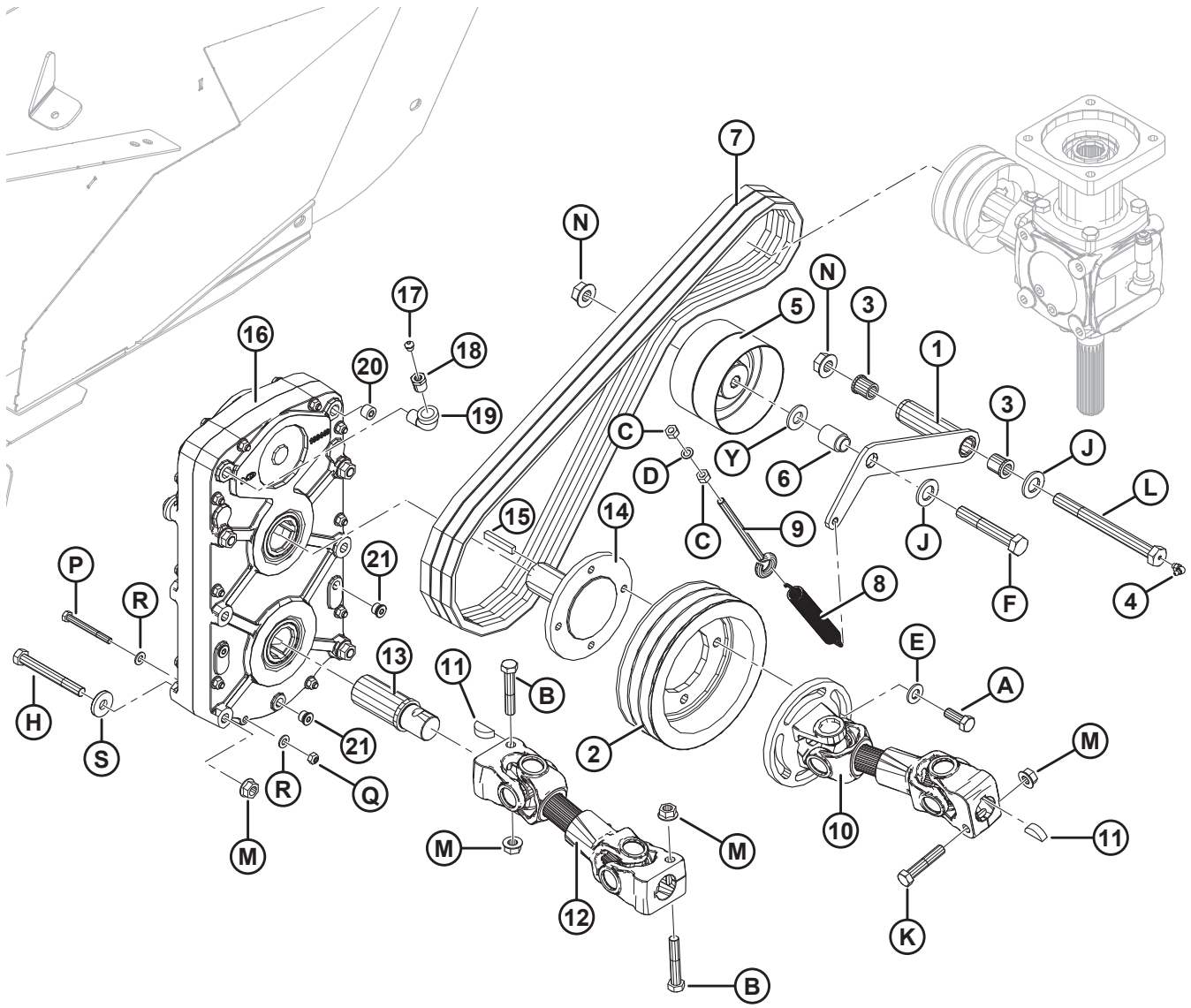


CUTTERBAR GEARBOX REPAIR PARTS

Ref	Part Number	Description	Qty	Serial Number
	149545	GEARBOX – COMPLETE ¹⁸	1	
1	150871	BEARING – TAPERED ROLLER CUP AND CONE	1	
2	150872	SEAL – VITON, 50 X 72 X 8 BA	1	
3	268144	SEAL – VITON, 35 X 72 X 8	1	
4	150873	SHIM – 50.3 X 1	1	
5	150874	SHIM – 70.3	1	
6	50091	BEARING – TAPER ROLLER CUP AND CONE (35 MM BORE)	3	
7	150875	RING – RETAINING	1	
8	150864	FITTING – PLUG	4	
9	150877	SHIM – 35.3 X 48	3	
10	150878	SEAL – VITON, 35 X 52 X 6/6.5	1	

18. For gearbox placement, refer to Section [7 Cages and Cutterbar Drive, page 17](#).

9 Roll Drive



ROLL DRIVE

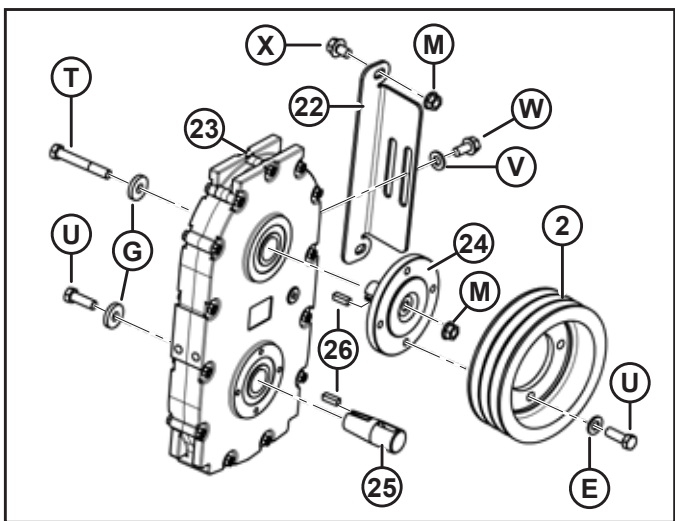
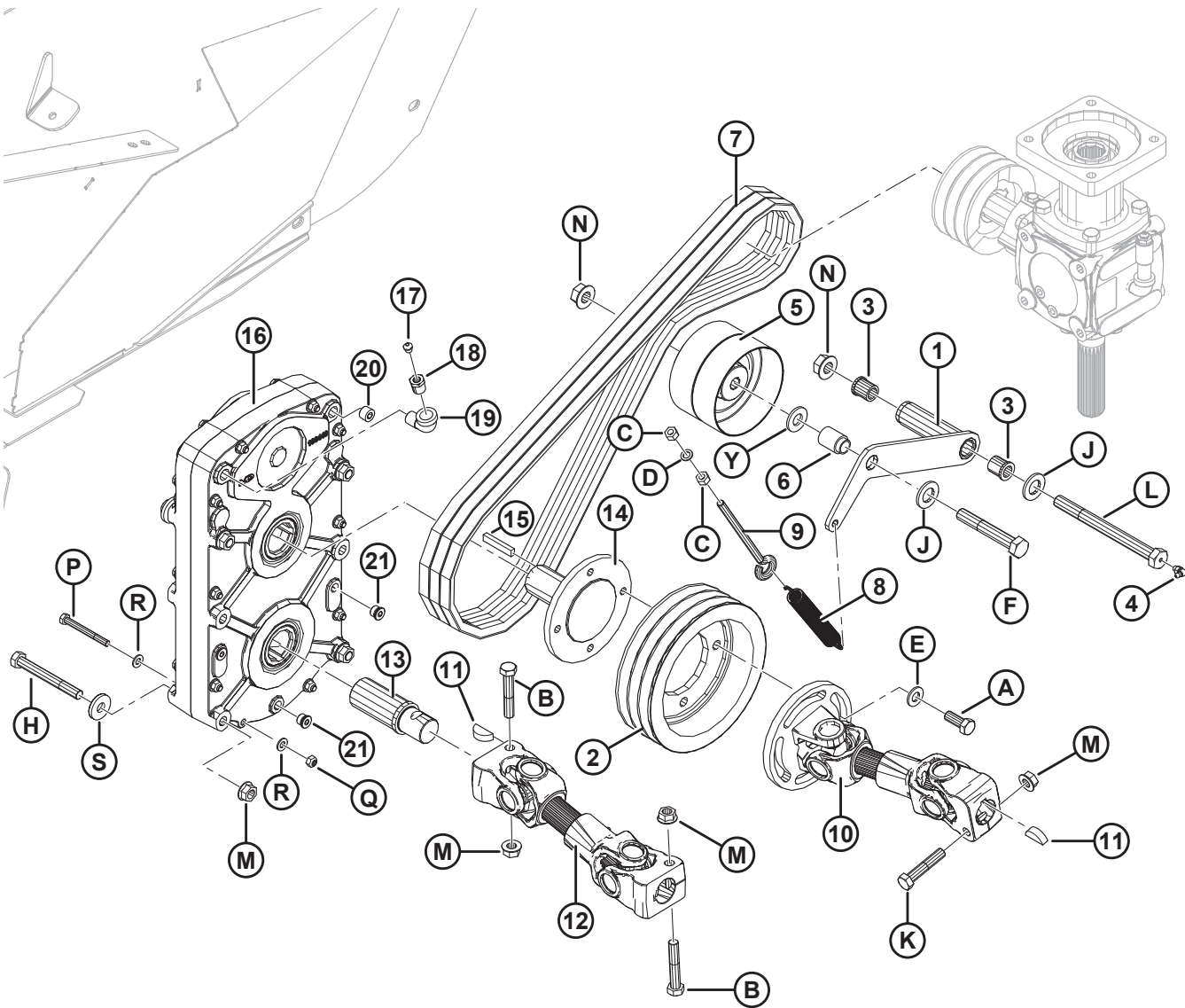
Ref	Part Number	Description	Qty	Serial Number
1	198263	ARM – IDLER, C/W BUSHING ¹⁹	1	
2	198229	PULLEY – MACHINING	1	
3	150437	BUSHING – FLANGED 5/8 X 7/8 X 1L	2	
4	21010	FITTING – LUBRICATION 90°	1	
5	149183	PULLEY – IDLER	1	
6	196195	SPACER	1	
7	198244	BELT – CONDITIONER DRIVE, 3HB	1	
8	198320	SPRING	1	
9	135849	EYE BOLT	1	
10	196857	DRIVELINE – 13 FT	1	
	124541	CROSS JOURNAL KIT	2	
	198329	YOKE – SPLIT CLAMP	1	
	149399	YOKE – FLANGE	1	
11	30836	KEY – WOODRUFF (3/8 X 1-1/4 NOM.)	2	
12	194334	DRIVELINE – LOWER 13 FT	1	
	124541	CROSS JOURNAL KIT	2	
	198329	YOKE – SPLIT CLAMP	2	
13	198504	SHAFT – AUGER DRIVE GEARBOX (13 FT)	1	
14	198433	SHAFT – FLANGED	1	
15	198486	KEY – 3/8 X 1/4 X 2 IN.	2	
16	198502	DRIVE – GEARBOX ASSY ²⁰	1	229510–
	198616	BEARING – BALL 90 MM O.D.	4	
	268163	KIT – R85 COND REPLACEMENT GEARS ²¹	1	
	198457	SEAL – OIL	4	
17	21425	VALVE – RELIEF	1	
18	21024	FITTING – REDUCER BUSHING	1	
19	5735	FITTING – 90° STREET ELBOW 3/8 NPT	1	
20	30590	PLUG – PIPE INT HEX SOCKET	1	
21	100577	PLUG – HEX SOCKET C/W O-RING	4	

19. Includes bushing (MD #150437).

20. For 2013 and later model year units. Includes shafts (MD #198504, 198433) and key (MD #198486).

21. Kit includes two gear assemblies (not sold separately) and instructions.

ROLL DRIVE



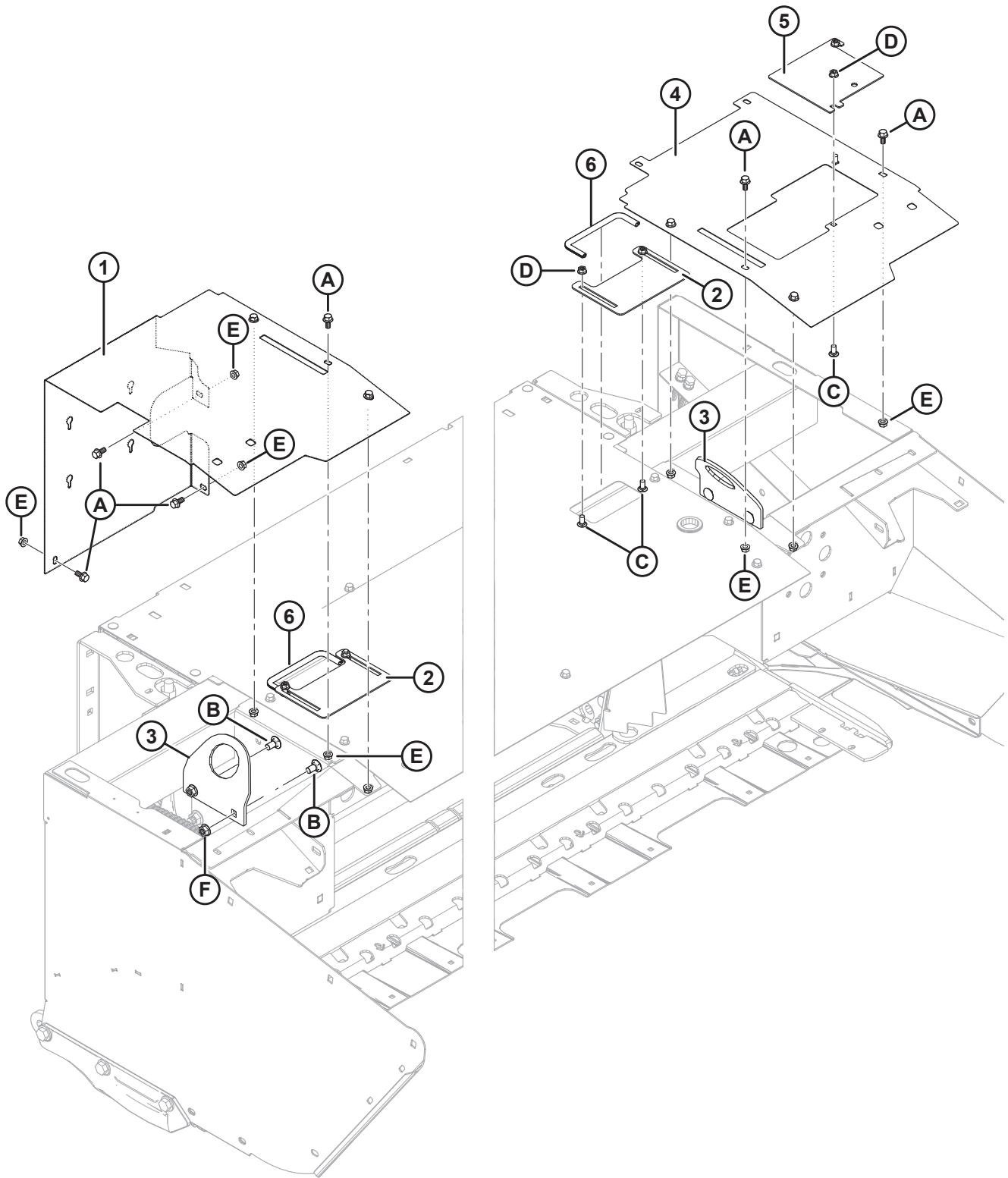
1006836

ROLL DRIVE

Ref	Part Number	Description	Qty	Serial Number
22	198454	BRACKET – GEARBOX MOUNT ²²	1	207010–229509
23	149672	GEARBOX ²²	1	207010–229509
	150853	BEARING	2	
	150854	SEAL	4	
	150855	SHIM	2	
	150856	GEAR	2	
24	198468	HUB – MACHINING ²²	1	207010–229509
25	150274	SHAFT – TAPERED ²²	1	207010–229509
26	4889	KEY – 5/16 SQ. X 1 IN. ²²	2	207010–229509
A	21491	BOLT – HH 1/2 NC X 1.25 LG GR 5 ZP		
B	21880	BOLT – HH 1/2 NC X 2.75 LG GR 5 ZP		
C	18590	NUT – HEX 3/8-16 UNC GR 5 ZP		
D	133521	WASHER – 3/8 X 5/8, 0.062		
E	135369	WASHER – HARDENED		
F	135371	BOLT – HH 5/8 NC X 4.0 LG GR 5 BLK		
G	149757	WASHER – FLAT		
H	184539	BOLT – HH 1/2 NC X 4.25 LG GR 5 ZP		
J	18601	WASHER – SAE FLAT 13/16 I.D. X 1.5 IN. O.D. ZP		
K	21760	BOLT – HH 1/2 NC X 2.5 LG GR 5 ZP		
L	146384	BOLT – HH 5/8 NC X 7.0 LG GR 5 ZP, SPECIAL DRILLED		
M	50186	NUT – FLANGE LOCK SM FACE DT 0.500-13 UNC GR 5		
N	50225	NUT – FLANGE DT SMOOTH FACE .625-11 UNC		
P	21595	BOLT – HH 5/16 NC X 3.0		
Q	18690	NUT – LOCK 5/16 DISTORTED THREAD		
R	18597	WASHER – FLAT 11/32 I.D.		
S	4761	WASHER – FLAT		
T	21581	BOLT – HH 1/2 NC X 3.5 GR 5 ZP		
U	18723	BOLT – HH 1/2 NC X 1.5 GR 5 ZP		
V	18599	WASHER – SAE FLAT 17/32 I.D. X 1-1/16 IN. O.D. ZP		
W	148800	BOLT – HH FLANGE M12 X 25 MM LG ZP		
X	105066	BOLT – HH FLANGE 1/2 NC X .75 LG GR 5 ZP		
Y	30441	WASHER – HARDENED		

22. For 2011–2012 model year units.

10 Header Top Shields

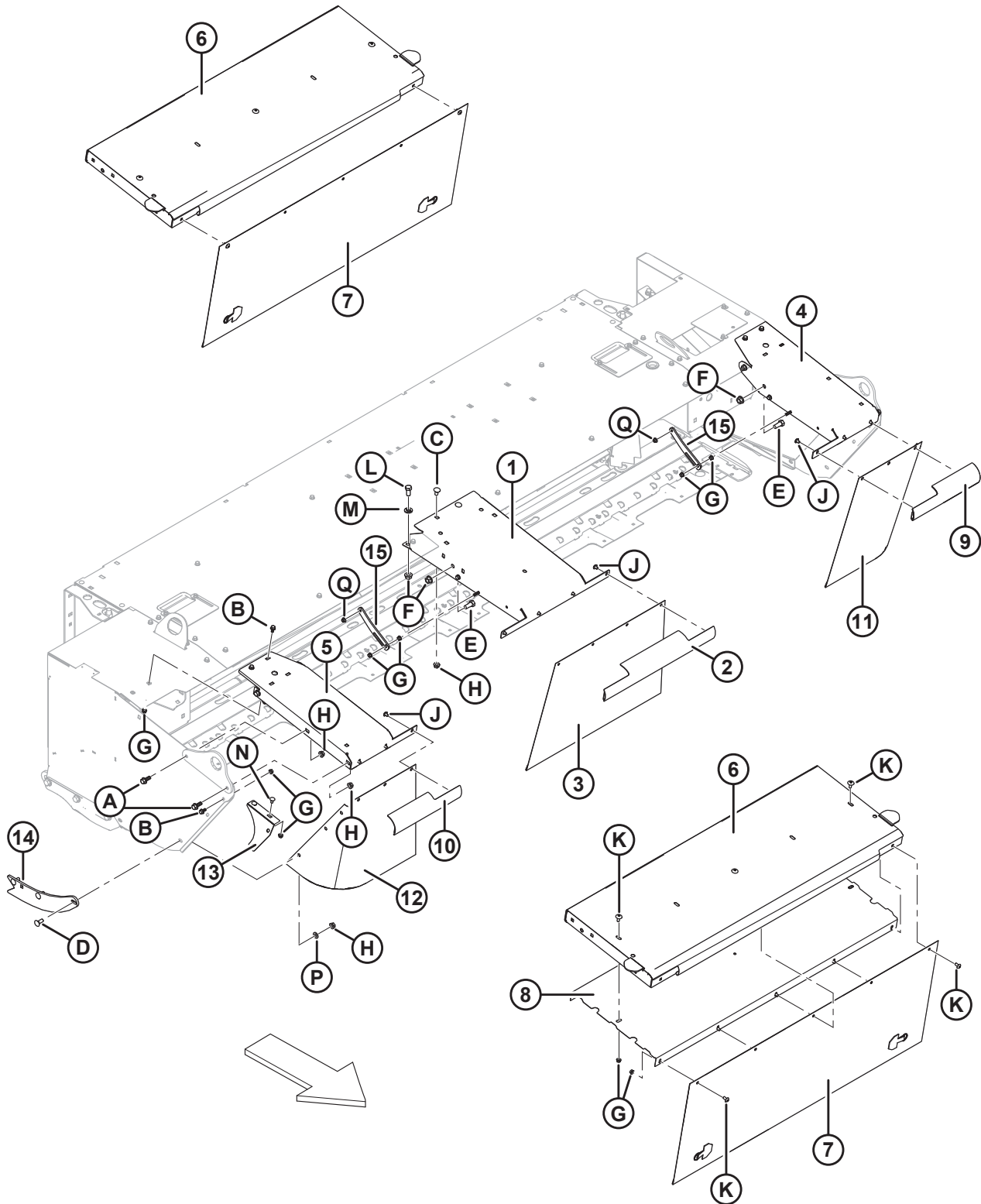


HEADER TOP SHIELDS

Ref	Part Number	Description	Qty	Serial Number
1	198291	COVER – RH	1	
2	198540	COVER – TOP SHIELD	2	
3	198006	HOOK	2	
4	198301	SHIELD – C/W DECALS ²³	1	
5	198417	SHIELD – TOP	1	
6	45427	MOULDING – RH (SPEC 31886)	2	
A	135963	BOLT – HH FLG (SMOOTH FACE) 3/8 NC X 0.75 GR 5 ZP		
B	21066	BOLT – RHSN 1/2 NC X 1 GR 5 ZP		
C	21863	BOLT – RHSSN 3/8 NC X 0.75 LG GR 5 ZP		
D	21452	NUT – FLANGE (SER FACE) .375-16 UNC		
E	30228	NUT – FLANGE DT SMOOTH FACE 0.375-16 UNC		
F	50186	NUT – FLANGE LOCK SM FACE DT 0.500-13 UNC GR 5		

23. Includes decals (MD #174436, 113482, 194464).

11 Header Front Shields

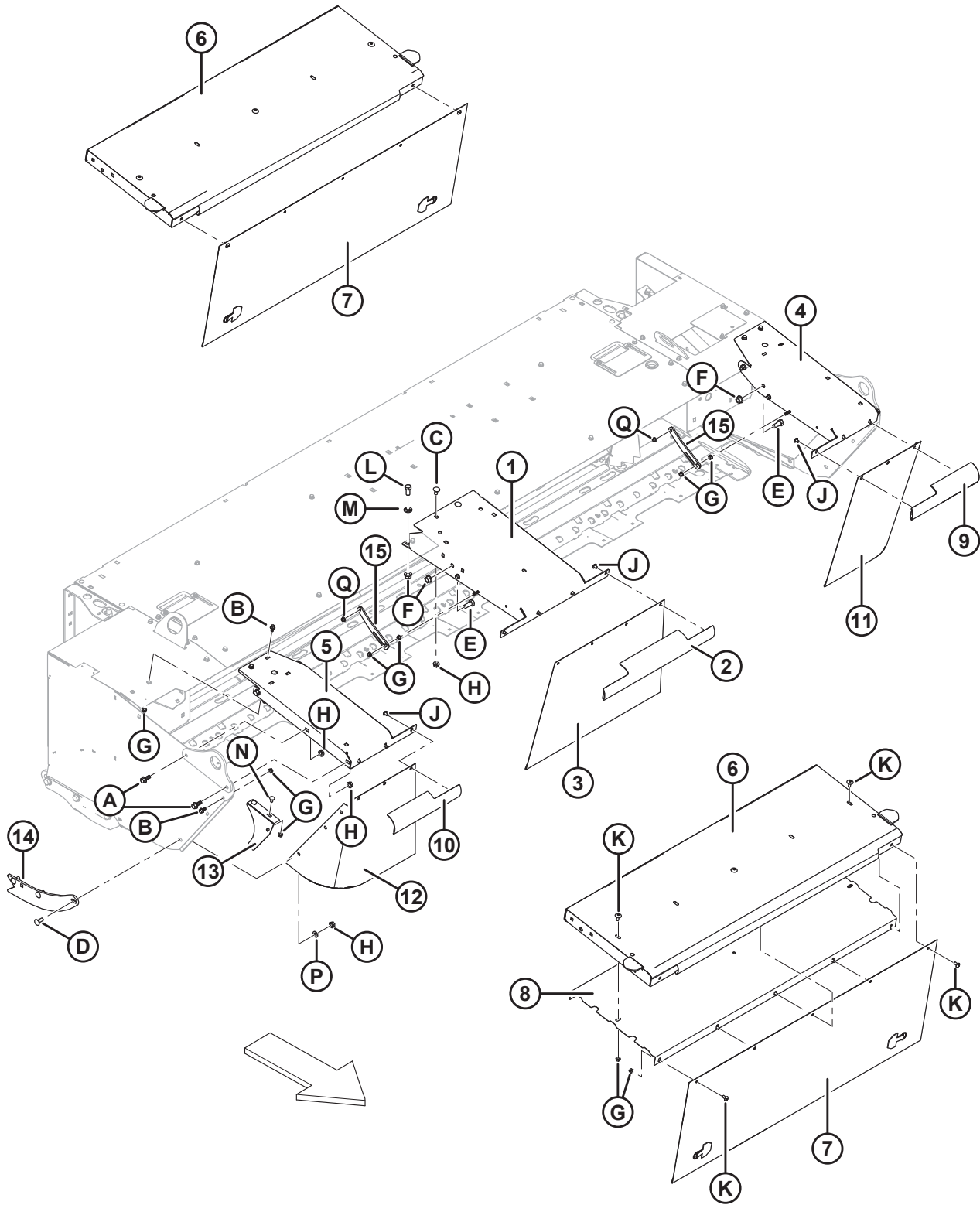


HEADER FRONT SHIELDS

Ref	Part Number	Description	Qty	Serial Number
1	268179	CHANNEL – WELDMENT	1	
2	198271	COVER WELDT	1	
3	236082	SHIELD – RUBBER CENTER	1	
4	268181	SUPPORT – LH WELDT	1	
5	268182	SUPPORT – RH WELDT	1	
6	268285	COVER – C/W DECALS ²⁴	2	
7	236080	SHIELD – DOOR	2	
8	196877	LINER – COVER	2	
9	198009	COVER – LH WELDT	1	
10	198024	COVER – RH WELDT	1	
11	198498	SHIELD – CORNER LH	1	
12	198503	SHIELD – CORNER RH	1	
13	146464	PLATE – RH CLAMP	1	
	146385	PLATE – LH CLAMP	1	
14	146476	SUPPORT – DIVIDER	2	
15	268212	COVER LATCH	2	

24. Includes decals (MD #194463, 194465, 194466).

HEADER FRONT SHIELDS

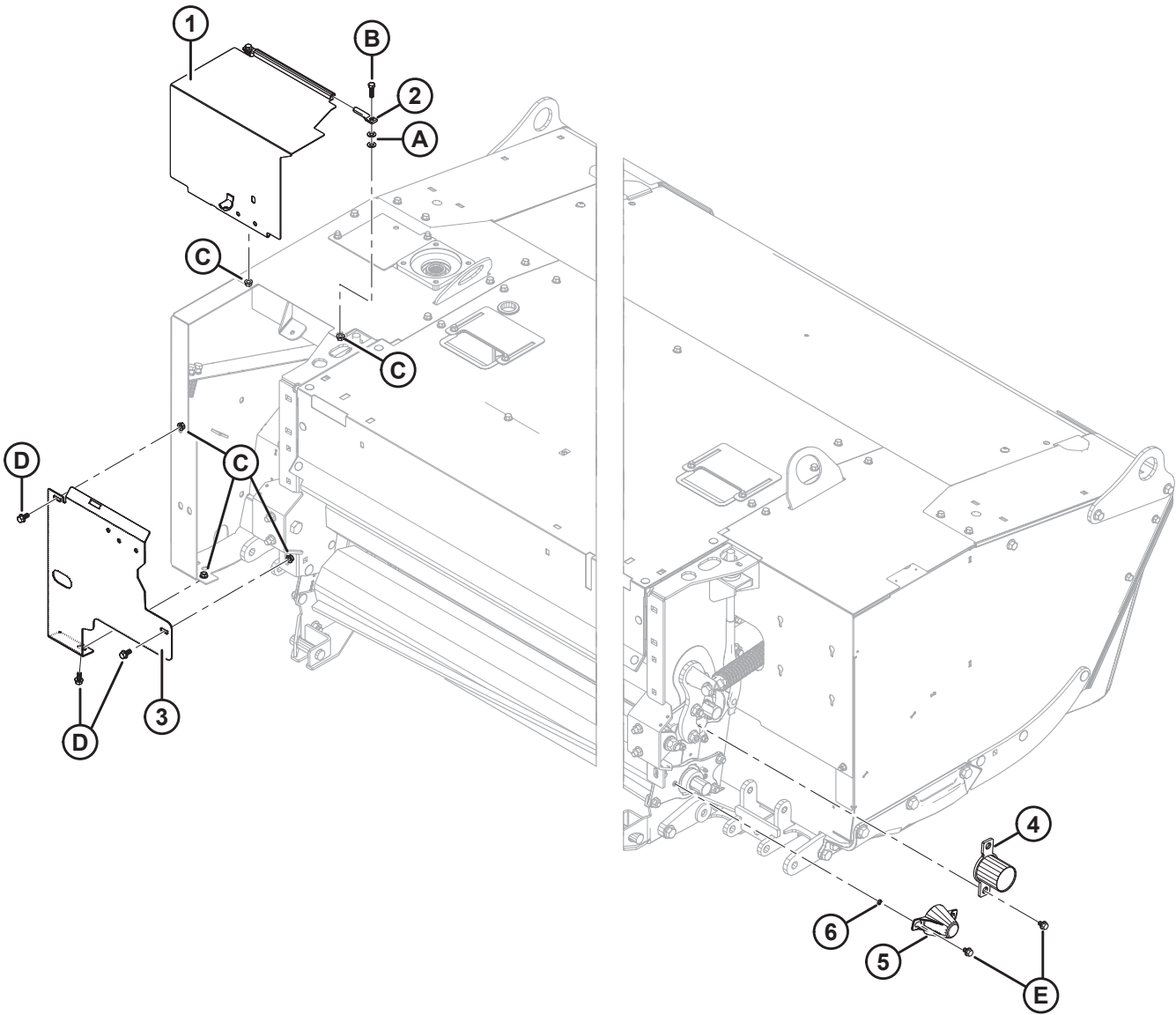


1018442

HEADER FRONT SHIELDS

Ref	Part Number	Description	Qty	Serial Number
A	135965	BOLT – HH FLG SMOOTH FACE 1/2 NC X 1.25 GR 5 ZP		
B	135963	BOLT – HH FLG SMOOTH FACE 3/8 NC X 0.75 GR 5 ZP		
C	21066	BOLT – RHSN 1/2 NC X 1 GR 5 ZP		
D	21471	BOLT – RHSN 1/2 NC X 1.25 LG GR 5 ZP		
E	48050	BOLT – SHOULDER .625-11 UNC		
F	50225	NUT – FLANGE DT SMOOTH FACE .625-11 UNC		
G	30228	NUT – FLANGE DT SMOOTH FACE 0.375-16 UNC		
H	50186	NUT – FLANGE LOCK SM FACE DT 0.500-13 UNC GR 5		
J	105137	SCREW – MACHINE		
K	135157	SCREW – MACHINE, TORX TRUSS HEAD, 3/8 IN., .75 IN. LG		
L	21585	BOLT – HH 5/8 NC X 1.25 LG GR 5 ZP		
M	120901	WASHER – FLAT HARDENED 5/8 IN. NOMINAL (L9)		
N	21472	BOLT – RHSN 3/8 NC X 0.75 GR 5 ZP		
P	18599	WASHER – SAE FLAT 17/32 I.D.		
Q	105010	NUT – LG FLG DT SMTH FACE 5/16 NC GR 5 ZP		

12 Header Drive Shields



HEADER DRIVE SHIELDS

Ref	Part Number	Description	Qty	Serial Number
1	198340	SHIELD – C/W DECAL UPPER REAR LH ²⁵	1	-216509
	236165	SHIELD – C/W DECAL UPPER REAR LH ²⁶	1	216510-
2	112624	RETAINER – PIN	2	
3	146472	SHIELD – LH ²⁷	1	-216509
	236155	SHIELD – LH ²⁸	1	216510-
4	236786	SHIELD – CONDITIONER	1	
5	198310	SHIELD – CONDITIONER	1	
6	236050	SPACER	2	
A	18598	WASHER – SAE FLAT 13/32 I.D. X 13/16 IN. O.D. ZP		
B	21264	BOLT – HH 3/8 NC X 1.25 LG GR 5 ZP		
C	30228	NUT – FLANGE DT SMOOTH FACE 0.375-16 UNC		
D	135963	BOLT – HH FLG SMOOTH FACE 3/8 NC X 0.75 GR 5 ZP		
E	30693	BOLT – HEX FLG SER FACE 3/8 NC X 1/2 GR 5 ZP		

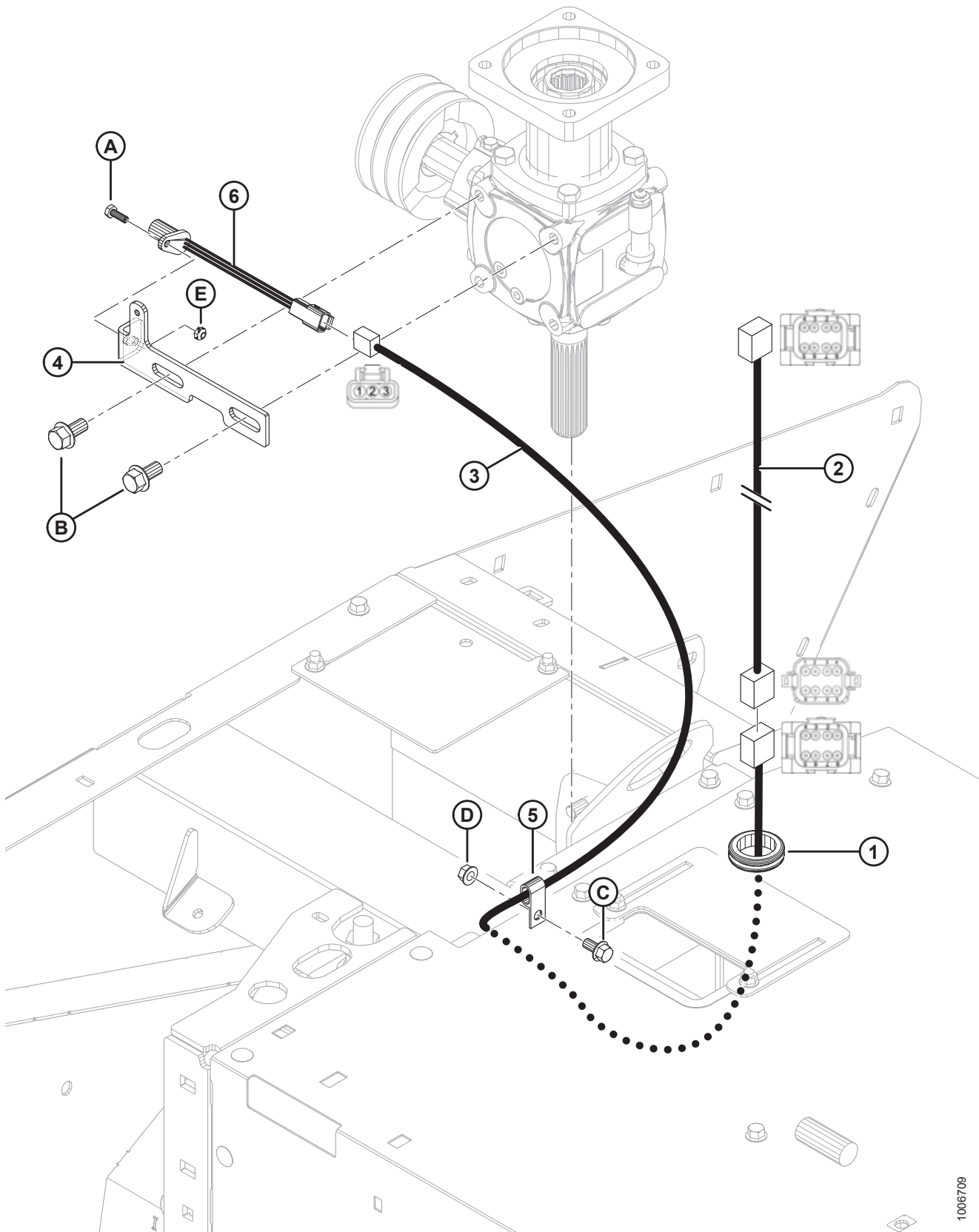
25. For 2011 and prior model year units. Includes decals (MD #184371, 184385).

26. For 2012 and later model year units. Includes decals (MD #184371, 184385).

27. For 2011 and prior model year units.

28. For 2012 and later model year units.

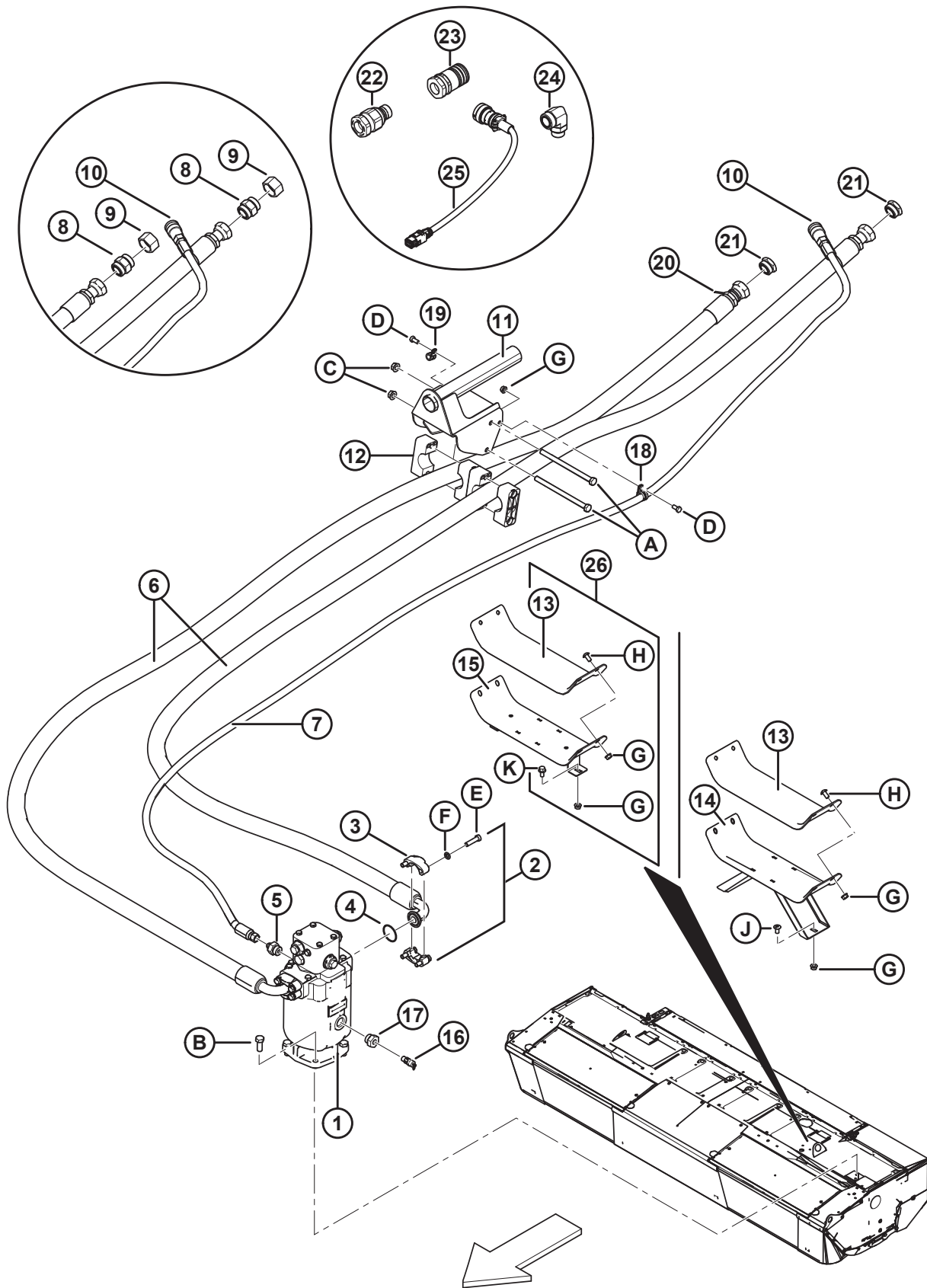
13 Wiring and Speed Sensor



WIRING AND SPEED SENSOR

Ref	Part Number	Description	Qty	Serial Number
1	111713	GROMMET – RUBBER	1	
2	138709	HARNESS – M205, HEADER CONNECTION DISC	1	
3	198323	HARNESS – WIRING 13 FT SP ROTARY DISC HEADER	1	
4	198344	BRACKET	1	
5	39272	CLIP – INSULATED	1	
6	143875	SENDER – SPEED	1	
A	21566	BOLT – HEX HD 1/4 NC X 0.75 LG GR 5 ZP		
B	21449	BOLT – HH FLG (SER FACE) 1/2 NC X 1.0 GR 5 ZP		
C	21821	BOLT – HH FLG (SER FACE) 3/8 NC X 0.75 GR 5 ZP		
D	30228	NUT – FLANGE DT SMOOTH FACE 0.375-16 UNC		
E	18724	NUT – HEX LOCK DT 1/4-20 UNC ZP		

14 Hydraulics



HYDRAULICS

Ref	Part Number	Description	Qty	Serial Number
1	194563	MOTOR – HYDRAULIC, PISTON	1	
	150879	SEAL		
	198514	RING – RETAINING		
2	138127	ASSEMBLY – 1 IN. CODE 62 SPLIT FLANGE ²⁹	2	
3	194043	FLANGE – HALF SPLIT 1 IN. CODE 62	2	
4	112868	O-RING – 1.296 IN. I.D. X 0.139 IN. WALL	2	
5	30939	FITTING – ADAPTER HYD	1	
6	138855	HOSE – HYDRAULIC	2	
7	138124	HOSE – HYDRAULIC	1	
8	135708	FITTING – UNION SAE -20 ORFS ³⁰	2	
	135869	O-RING – #20 ORFS		
9	135719	CAP – HYD SAE -20 ORFS	2	
10	135474	COUPLER – HYDRAULIC, 1/2 IN. FEMALE FF	1	
11	272233	SUPPORT – WELDT	1	
12	135946	CLAMP PAIR	2	
13	146474	SUPPORT – HOSE	1	
14	146553	STAND – HOSE	1	
15	236855	SUPPORT – HOSE (SP ONLY)		
16	198927	VALVE – RELIEF	1	
17	135560	FITTING – ADAPTER HYD C/W O-RING	1	
18	135709	CLAMP – INSULATED 3/4 IN.	1	
19	135818	CLAMP – INSULATED 1/2 IN.	1	
20	40702	FASTENER – CABLE TIE (RED)	1	
21	135762	PLUG – HYDRAULIC, 20 ORFS	2	

29. Includes two flanges (MD #194043), O-ring (MD #112868), four bolts (MD #21564), and four washers (MD #18652).

30. Fitting (MD #135708) only used if connecting R85 to M205.

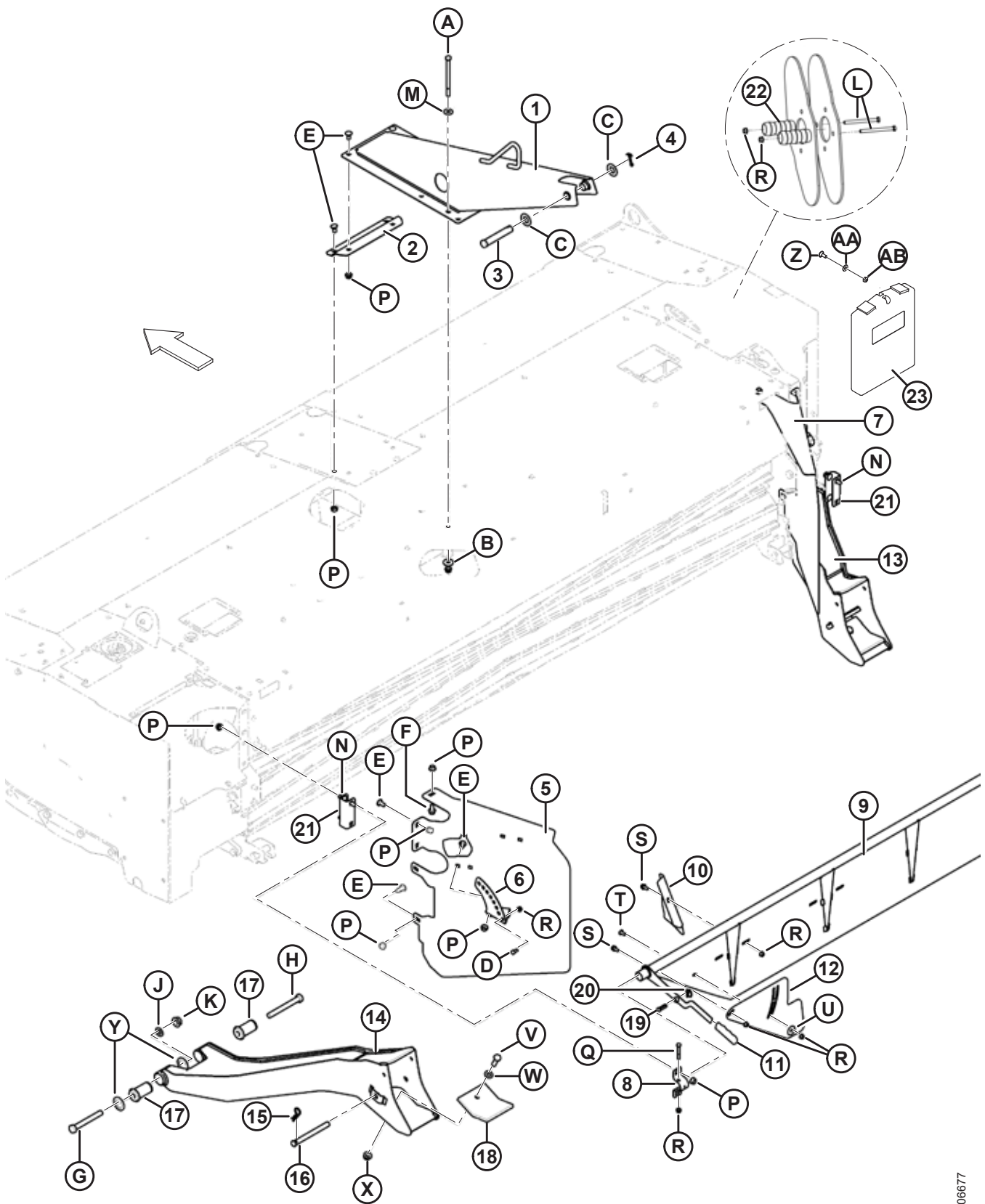
HYDRAULICS

Ref	Part Number	Description	Qty	Serial Number
22	136412	FITTING – COUPLING MALE 1 IN. ³¹	1	285420–
23	136413	FITTING – COUPLING FEMALE 1 IN. ³¹	1	285420–
24	136631	FITTING – ELBOW 90° HYD ³¹	2	285420–
	50220	O-RING – #16 ORB	1	
	135869	O-RING – #20 ORFS	1	
25	207299	HARNESS – ADAPTER, DISC HEADER ³¹	1	285420–
26	REF	ASSEMBLY – HOSE SUPPORT (SP ONLY) ³²		
A	135976	BOLT – HH 1/2 NC X 8 LG GR 5 ZP		
B	135491	BOLT – HH M14 X 2 X 35 LG ZP		
C	50186	NUT – FLANGE LOCK SM FACE DT 0.500-13 UNC GR 5		
D	21567	BOLT – HEX HD .375-16 UNC X 0.75 LG		
E	21564	BOLT – HH 7/16 NC X 1.75 LG GR 5 ZP		
F	18652	WASHER – REG. LOCK 7/16 IN. NOM. I.D. ZP		
G	30228	NUT – FLANGE DT SMOOTH FACE 0.375-16 UNC		
H	135157	SCREW – MACHINE		
J	21472	BOLT – RHSN 3/8 NC X 0.75 GR 5 ZP		
K	135963	BOLT – HH FLG SM FACE 3/8 NC X 0.75 GR 5 ZP		

31. For self-propelled 2016 and later model year units.

32. Includes hose support (MD #146474), SP only hose support (MD #236855), and hardware (MD #30228, 135157, 135963). Hose support assembly is located close to the windrower connection on the forming shield assembly and raises the hydraulic hoses high enough to clear the forming shield at any header position to prevent wear on the hoses. For assembly placement, refer to Section *29 Self-Propelled Header Forming Shields – 2015 and Prior, page 85* and Section *30 Self-Propelled Header Forming Shields – 2016 and Later, page 89*.

15 Completion Package for Windrower Headers



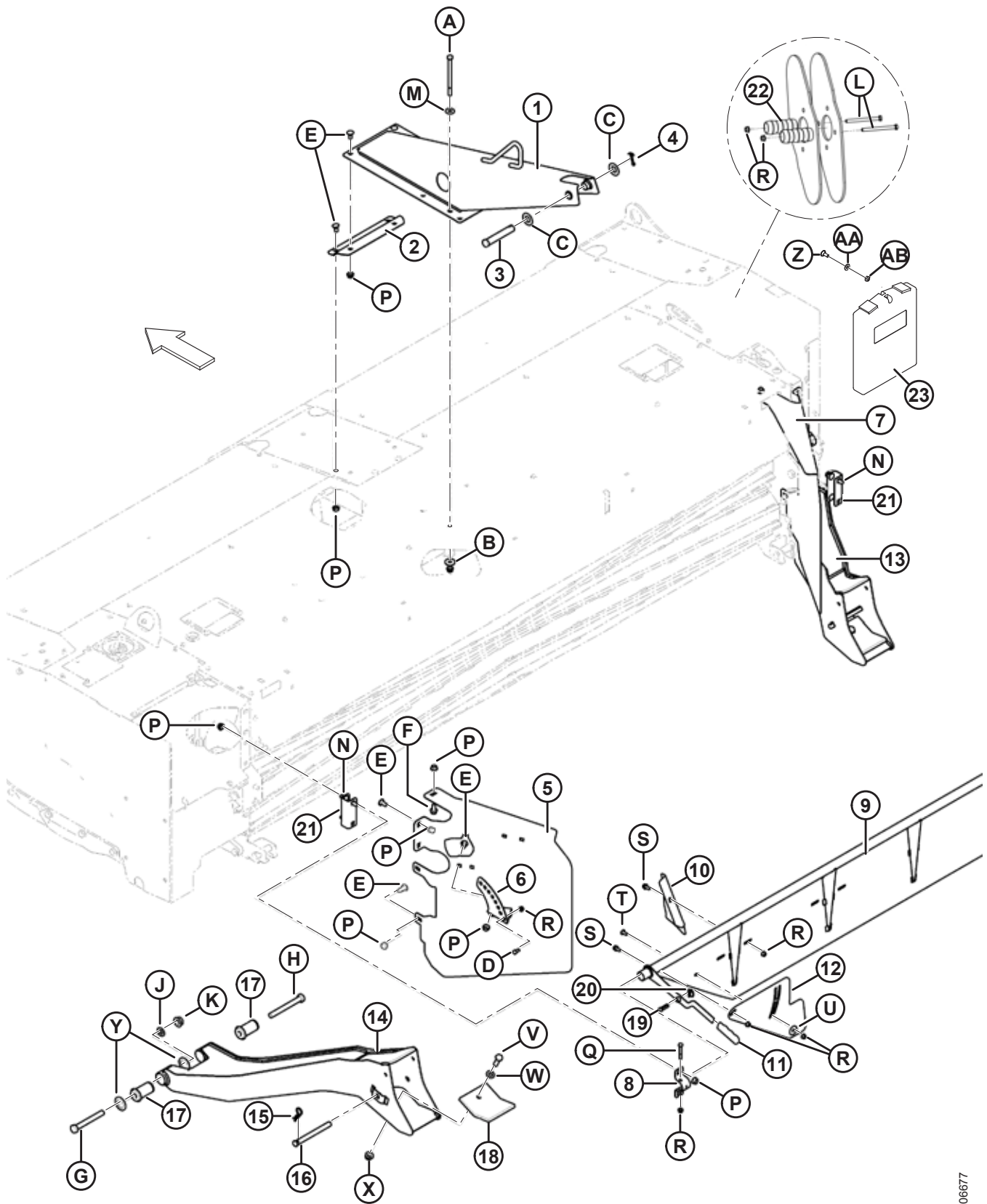
COMPLETION PACKAGE FOR WINDROWER HEADERS

Ref	Part Number	Description	Qty	Serial Number
1	198097	ANCHOR – WELDT	1	
2	198293	ANGLE SUPPORT	1	
3	49341	PIN – CLEVIS	1	
4	18609	PIN – COTTER 1/4 DIA X 2 ZP	1	
5	198304	SHIELD – LH	1	
6	236784	BRACKET – SWATH BAFFLE	1	
7	198305	SHIELD – RH	1	
8	157549	SUPPORT – BAFFLE	2	
9	268268	SHIELD – SWATH BAFFLE WELDMENT	1	
10	146250	FIN – SWATH BAFFLE, LH	2	
	146420	FIN – SWATH BAFFLE, RH	2	
11	150392	HANDLE – VINYL	1	
12	268337	KIT – BAFFLE PLATES ³³	1	
13	256047	MEMBER – RH BOOT, C/W BUSHINGS ³⁴	1	
14	256046	MEMBER – LH BOOT, C/W BUSHINGS ³⁴	1	
15	13125	PIN – HAIR	2	
16	135408	PIN – CLEVIS	2	
17	149342	BUSHING – RUBBER	4	
18	150454	PAD – RUBBER	2	
19	11847	PIN – CLEVIS	1	
20	50193	PIN – LYNCH	1	
21	198899	BRACKET – BAFFLE	2	
22	221530	SHIELD – NUT	12	
23	118234	CASE – MANUALS	1	

33. Kit includes two baffle plates (NSS), two rectangular washers (MD #268336), and hardware (MD #30228, 21821, and 100456).

34. Includes two bushings (MD #149342).

COMPLETION PACKAGE FOR WINDROWER HEADERS

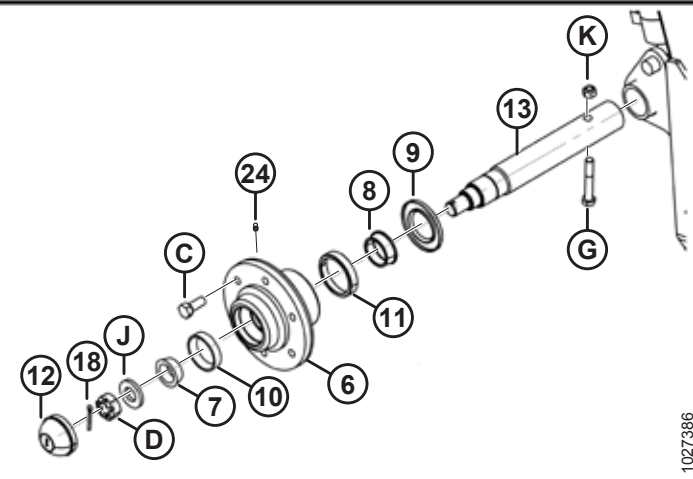
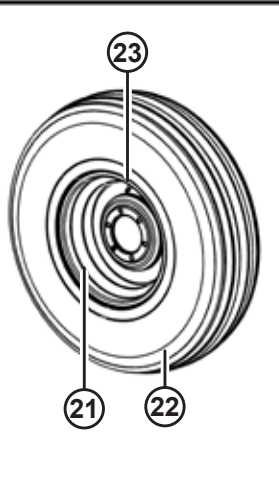
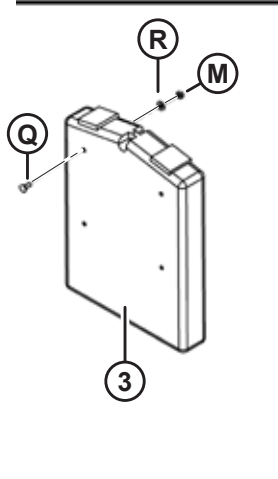
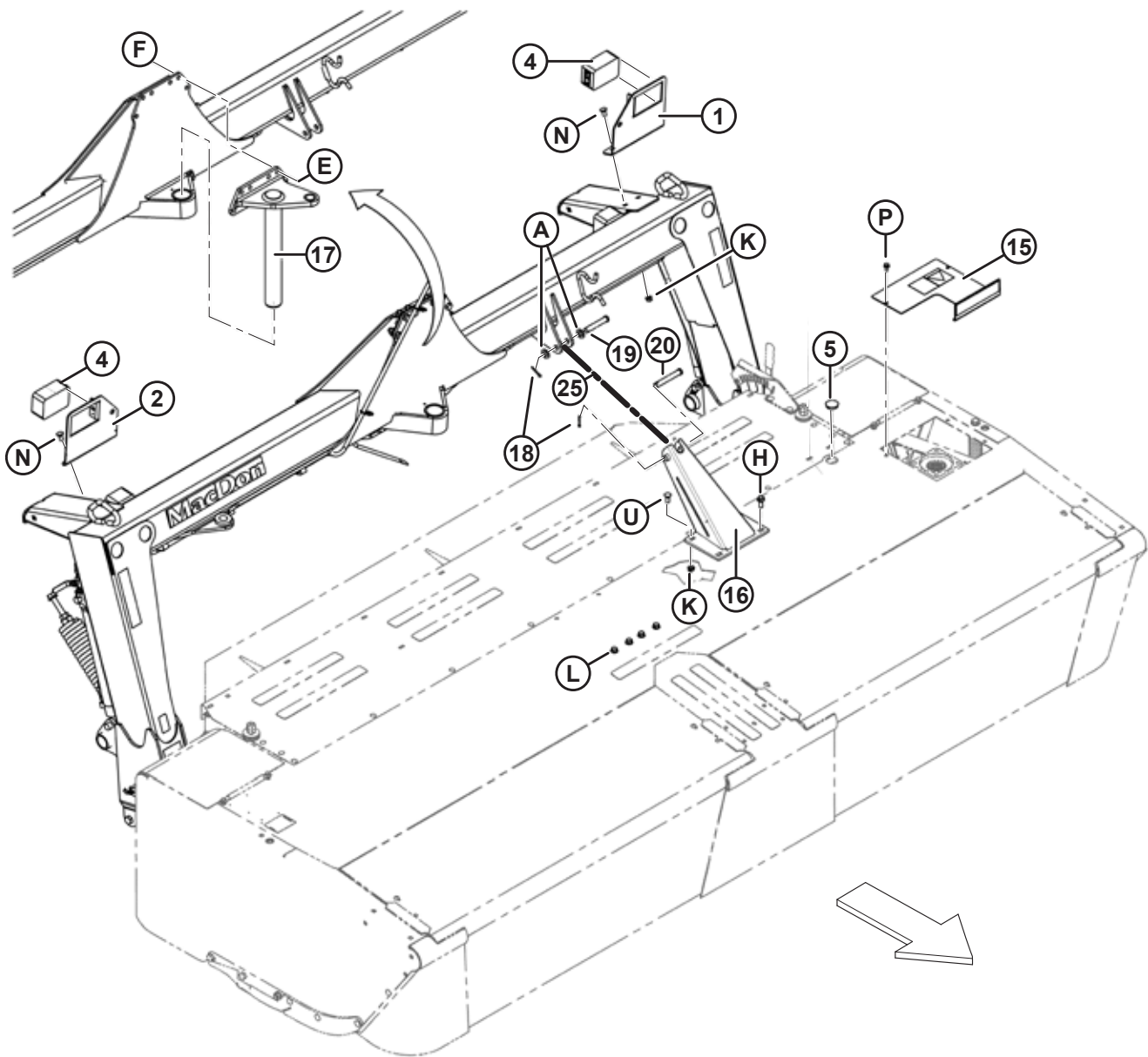


1006677

COMPLETION PACKAGE FOR WINDROWER HEADERS

Ref	Part Number	Description	Qty	Serial Number
A	50009	BOLT – HH 1/2 NC X 7.0 LG GR 5 ZP		
B	18770	WASHER – FLAT		
C	18603	WASHER – SAE FLAT 1-1/16 I.D. X 2.0 IN. O.D. ZP		
D	21567	BOLT – HEX HD .375-16 UNC X 0.75 LG		
E	21066	BOLT – RHSN 1/2 NC X 1 GR 5 ZP		
F	21449	BOLT – HH FLG (SER FACE) 1/2 NC X 1.0 GR 5 ZP		
G	30743	BOLT – HH 3/4 NC X 6.0 LG GR 5 ZP		
H	30387	BOLT – HH 3/4 NC X 6.5 LG GR 5 ZP		
J	18601	WASHER – SAE FLAT 13/16 I.D. X 1.5 IN. O.D. ZP		
K	135367	NUT – FLANGE DT SMTH FACE 0.75-10 UNC GR G		
L	19906	BOLT – HEX HD 3/8 NC X 4.5 TFL GR 5 ZP		
M	137699	WASHER – FLAT USS HARDENED 1/2 NOM. I.D.		
N	21066	BOLT – RHSN 1/2 NC X 1.00 GR 5 ZP		
P	50186	NUT – FLANGE LOCK SM FACE DT 0.500-13 UNC GR 5		
Q	21102	BOLT – HH 3/8 NC X 2.5 LG GR 5 ZP		
R	30228	NUT – FLANGE DT SMOOTH FACE 0.375-16 UNC		
S	21821	BOLT – HH FLG SER FACE 3/8 NC X 0.75 GR 5 ZP		
T	21863	BOLT – RHSSN 3/8 NC X 0.75 LG GR 5 ZP		
U	18963	WASHER – FLAT		
V	21582	BOLT – HH 5/8 NC X 1.75 LG GR 5 ZP		
W	18600	WASHER – SAE FLAT 21/32 I.D. X 1-5/16 IN. O.D. ZP		
X	50225	NUT – FLANGE DT SMOOTH FACE .625-11 UNC		
Y	5113	WASHER – FLAT		
Z	30242	BOLT – RHSN 1/4-20 X .63 GR 5 ZP		
AA	18596	WASHER – SAE FLAT 9/32 I.D. X 5/8 IN. O.D. ZP		
AB	18724	NUT – HEX LOCK DT 1/4-20 UNC ZP		

16 Carrier Assembly



CARRIER ASSEMBLY

Ref	Part Number	Description	Qty	Serial Number
1	150992	ASSEMBLY – LH LIGHT BRACKET, C/W REFLECTORS ³⁵	1	
2	150993	ASSEMBLY – RH LIGHT BRACKET, C/W REFLECTORS ³⁵	1	
3	118234	CASE – MANUALS	1	
4	120416	LAMP – AMBER	2	
	NSS	REPLACEMENT BULB – #1156, SEE RETAILER		
	160359	LENS – AMBER, REPLACEMENT		
5	135613	PLUG – PLASTIC SNAP-IN	1	
6	140246	HUB ³⁶	2	
7	30702	BEARING – CONE	2	
8	140247	BEARING CONE ROLLER	2	
9	140248	SEAL – GREASE	2	
10	30701	CUP – OUTER	2	
11	140249	CUP – INNER	2	
12	140250	CAP – DUST	2	
13	148067	SPINDLE	2	
15	194494	SHIELD – LH, C/W DECAL ³⁷	1	
16	194910	SUPPORT – PT ROTARY CENTER LINK	1	
17	194419	HITCH PIN WELDMENT	1	
18	18608	PIN – COTTER 3/16 DIA X 1.5 ZP	2	
19	18629	PIN – CLEVIS	1	
20	103579	PIN – CLEVIS	1	
21	146272	WHEEL – 15 X 8 LB 6 HOLES	2	
22	146278	TIRE – 11L-15 SL 8 PLY	2	
23	21153	STEM – TIRE VALVE ASSEMBLY #TR-415	2	
24	18671	FITTING – LUBE 1/4-28 UNF	2	
25	REF	KIT – HEADER ANGLE ³⁸		

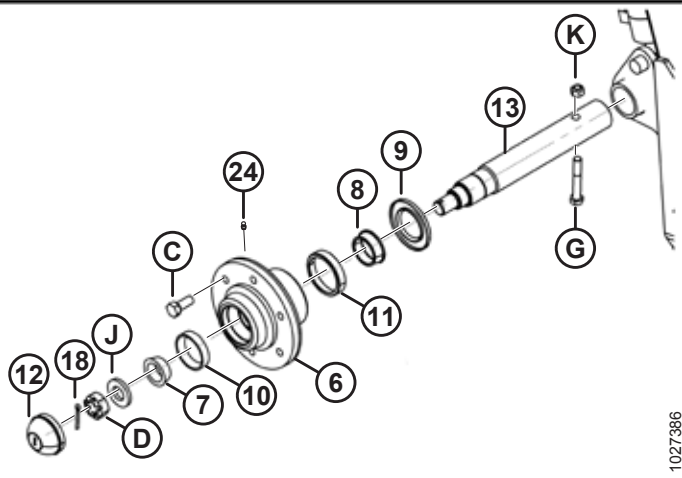
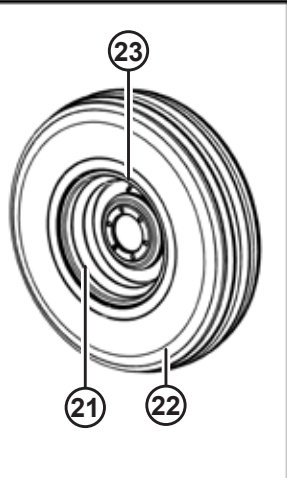
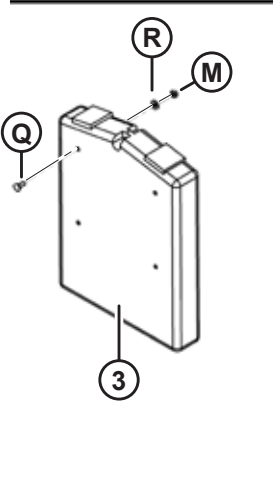
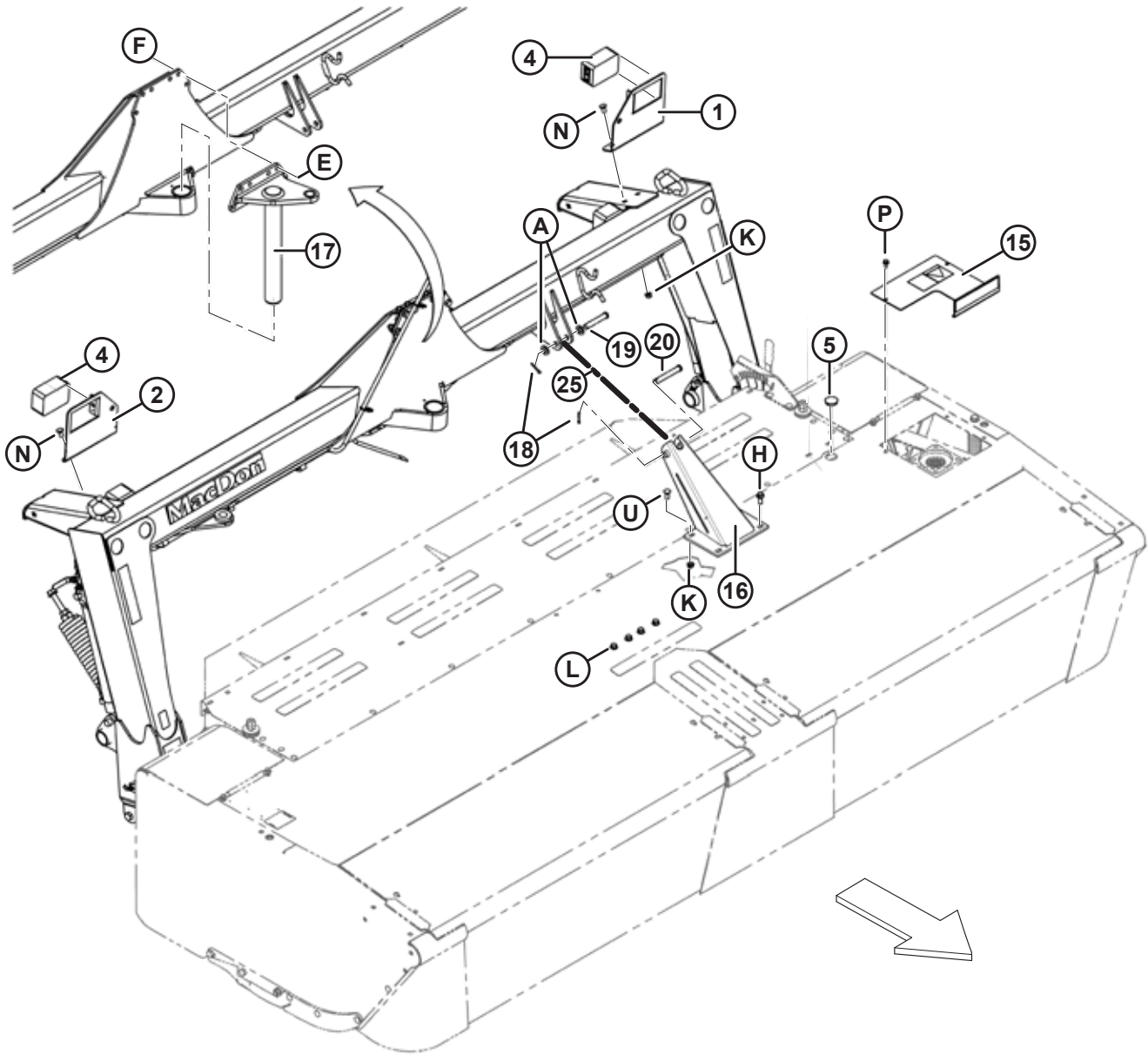
35. Includes reflectors (MD #115145, 115147).

36. Includes bearing cups (MD #30701, 140249) and grease fitting (MD #18671).

37. Includes decal (MD #174474) and reflector (MD #115146).

38. Refer to Section [32 Hydraulic Header Angle Kit, page 95](#) or [36 \(Option\) Mechanical Header Angle, page 105](#).

CARRIER ASSEMBLY

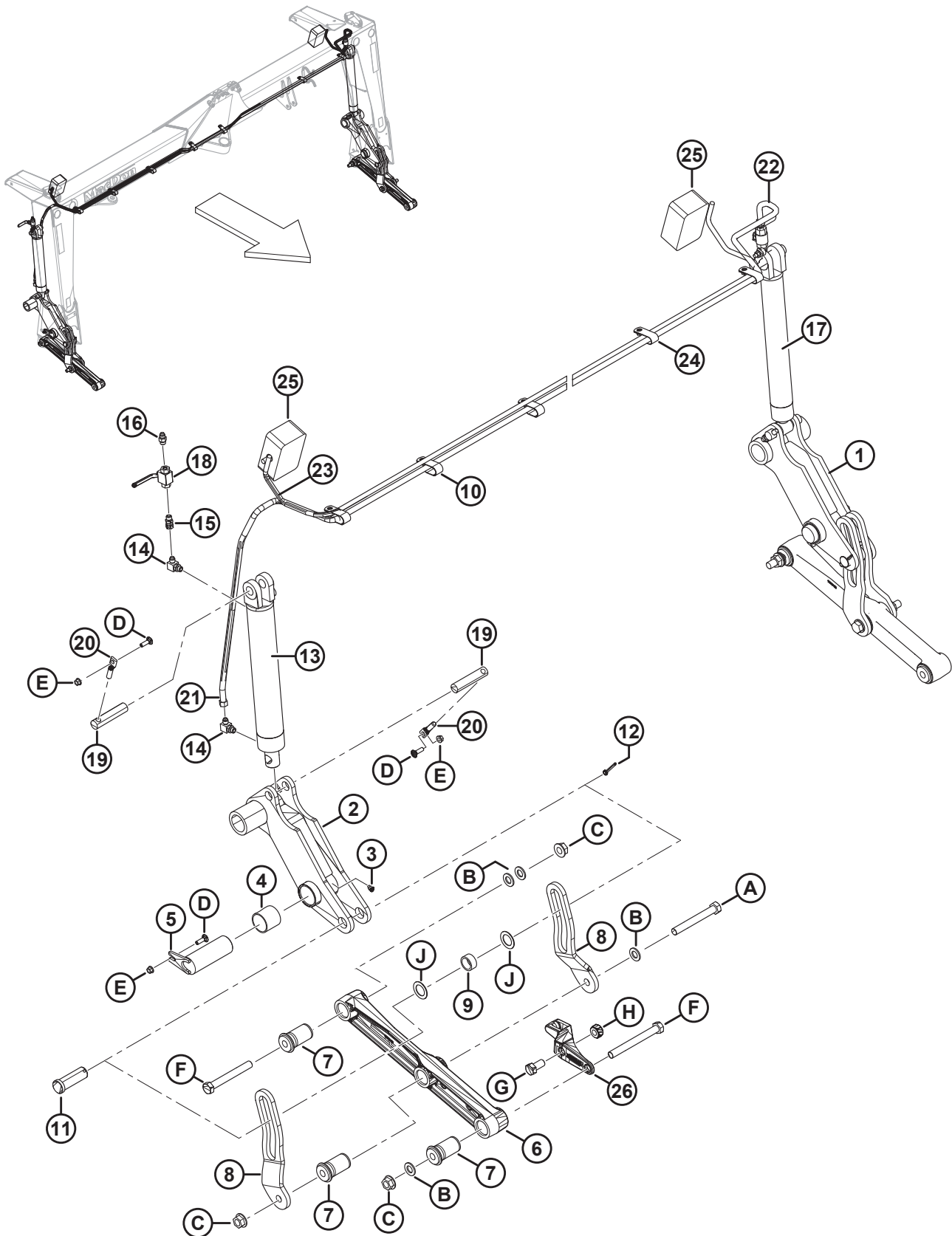


1027386

CARRIER ASSEMBLY

Ref	Part Number	Description	Qty	Serial Number
A	18601	WASHER – SAE FLAT 13/16 I.D. X 1.5 IN. O.D. ZP		
C	18916	BOLT – 90° WHEEL 9/16 NF X 1.75 OL		
D	19878	NUT – HEX SLOTTED 1.00-14 UNF		
E	135340	BOLT – HH 5/8 NC X 1.75 LG GR 8 ZP		
F	135341	NUT – FLANGE DT SMOOTH FACE .625-11 UNC GR. G		
G	30011	BOLT – HH 1/2 NC X 3.25 LG GR 5 ZP		
H	30368	BOLT – HH FLG (SER FACE) 1/2 NC X 1.25 GR 5 ZP		
J	31774	WASHER – FLAT		
K	50186	NUT – FLANGE LOCK SM FACE DT 0.500-13 UNC GR 5		
L	105066	BOLT – HH FLG SER FACE 1/2 -NC X 0.75 GR 5 ZP		
M	18724	NUT – HEX LOCK DT 1/4-20 UNC ZP		
N	21066	BOLT – ROUND HEAD SQUARE NECK 1/2 NC X 1 GR 5 ZP		
P	21821	BOLT – HH FLG (SER FACE) 3/8 NC X 0.75 GR 5 ZP		
Q	30242	BOLT – RHSN 1/4 NC X 0.625 GR 5 ZP		
R	18596	WASHER – SAE FLAT 9/32 I.D. X 5/8 IN. O.D. ZP		
U	21471	BOLT – RHSN 1/2 X 1.25 GR 5 ZP		

17 Carrier Frame Components



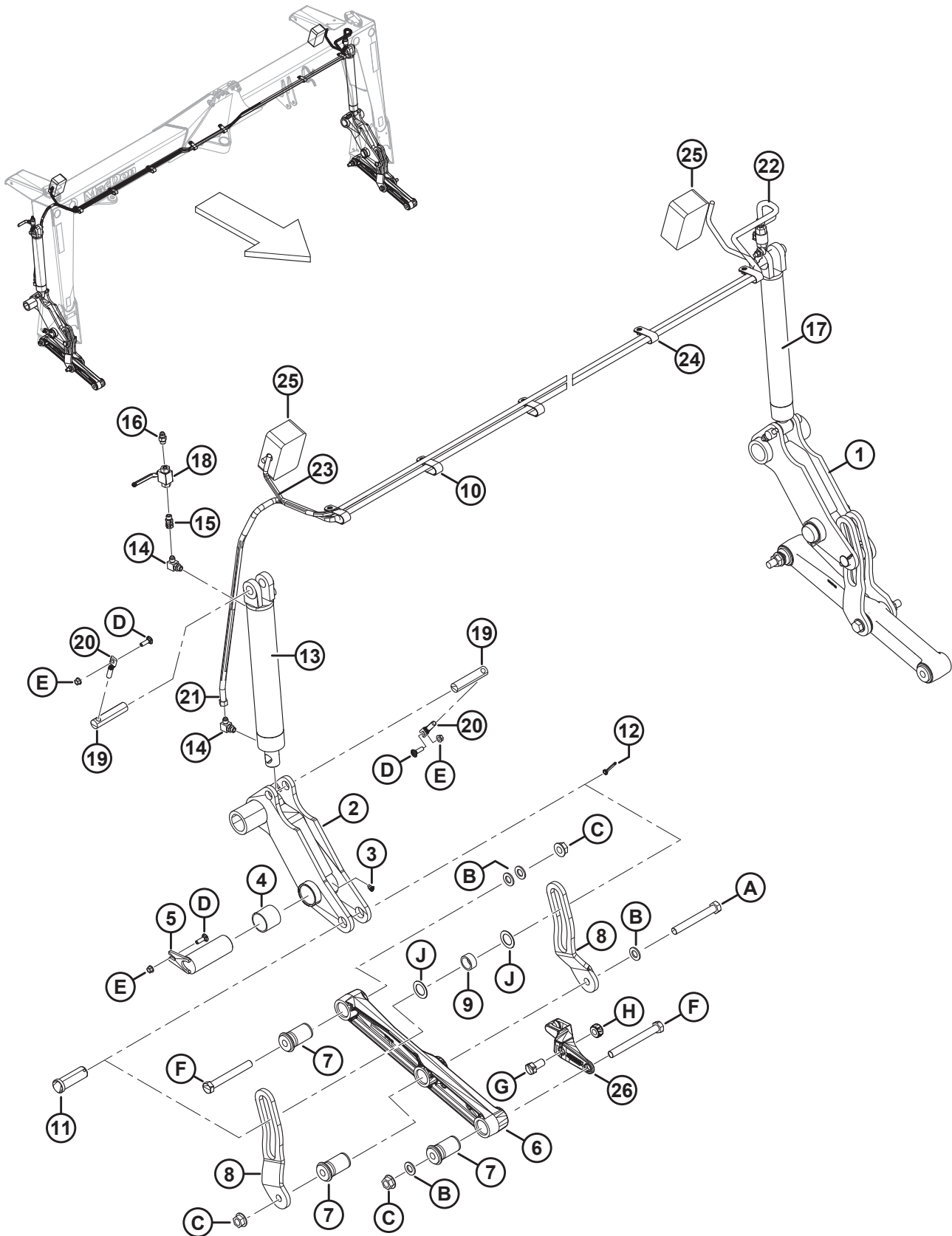
CARRIER FRAME COMPONENTS

Ref	Part Number	Description	Qty	Serial Number
1	236212	ARM – LH ³⁹	1	
2	236218	ARM – RH ³⁹	1	
3	18671	FITTING – LUBE 1/4-28 UNF, 90°	2	
4	25579	BUSHING – STEEL	4	
5	148078	PIN – WELDT, WHEEL ARM	2	
6	149820	ARM – C/W BUSHINGS ⁴⁰	2	
7	149342	BUSHING – RUBBER	6	
8	146240	ARM – LINK, LH	2	
	146241	ARM – LINK, RH	2	
9	150298	SPACER	2	
10	50022	CLAMP – INSULATED, 15/16 IN.	3	
11	135414	PIN – CLEVIS	2	
12	18609	PIN – COTTER 1/4 DIA X 2 ZP	2	
13	150306	CYLINDER – HYDRAULIC	1	
	150339	SEAL KIT	1	
14	30282	FITTING – ELBOW 90° HYD	3	
15	135015	FITTING – ADAPTER HYD	2	
16	15903	FITTING – CONNECTOR HYD	2	
17	150307	CYLINDER – 2.0 X 13	1	
	150338	SEAL KIT	1	
18	247875	VALVE – BALL	2	
19	142376	PIN – CYLINDER	4	
20	112624	RETAINER – PIN	4	
21	148961	HOSE – LIFT	1	
22	148962	HOSE – LIFT	1	
23	150971	HARNESS – WIRING	1	
24	103738	CLAMP – DOUBLE HOSE INSULATED, 13/16 IN.	4	
25	171093	LIGHT – RED TAIL	2	
	NSS	REPLACEMENT BULB – #1157, SEE RETAILER		
	160358	LENS – RED, REPLACEMENT		
	160360	LENS – BLACK, REPLACEMENT		
26	150959	HOOK – SPRING	2	

39. Includes lube fitting (MD #18671) and bushing (MD #25579).

40. Includes bushing (MD #149342).

CARRIER FRAME COMPONENTS

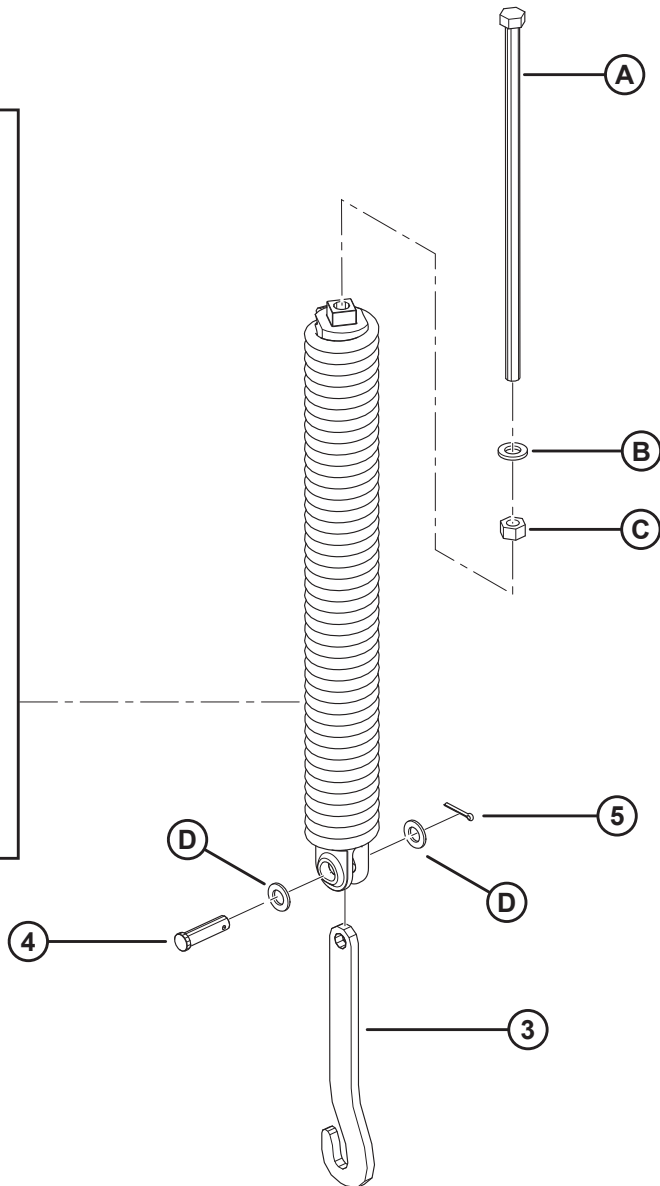
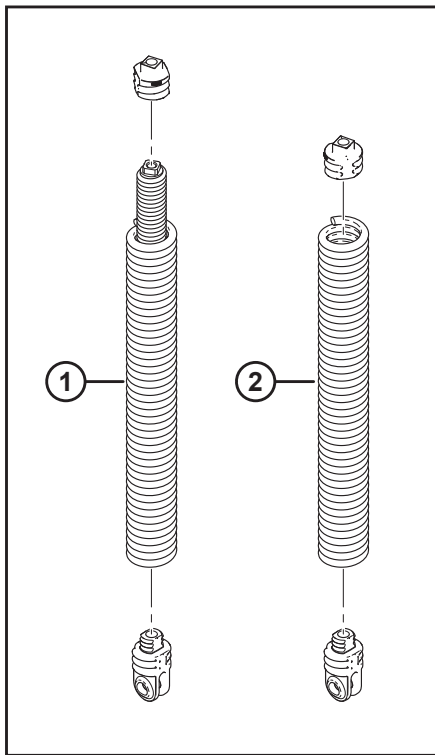
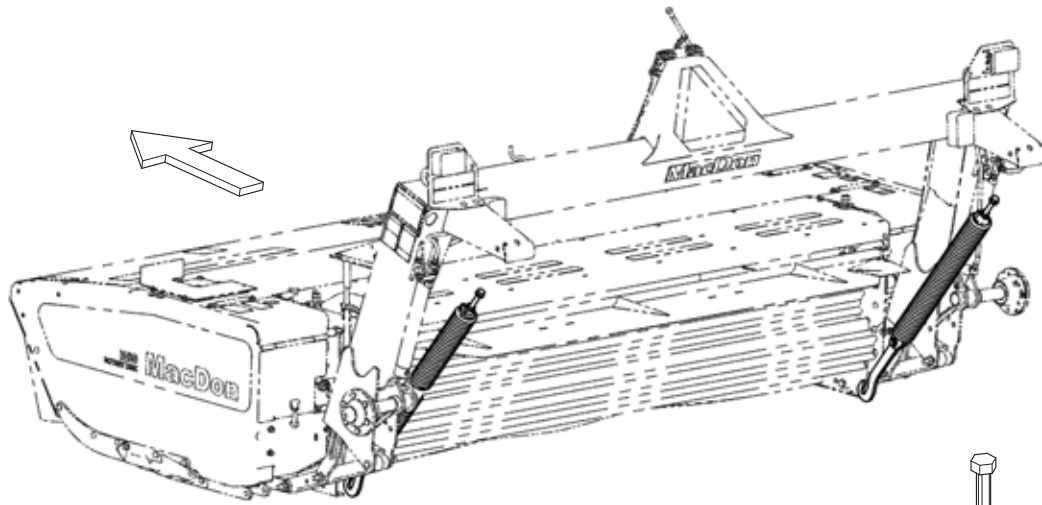


1027413

CARRIER FRAME COMPONENTS

Ref	Part Number	Description	Qty	Serial Number
A	135577	BOLT – HH 3/4 NC X 6.0 LG GR 8 ZP		
B	18601	WASHER – SAE FLAT 13/16 I.D. X 1.5 IN. O.D. ZP		
C	135367	NUT – FLANGE DT SMTH FACE 0.75-10 UNC GR G		
D	19966	BOLT – RHSN 3/8 NC X 1.25 LG GR 5 ZP		
E	30228	NUT – FLANGE DT SMOOTH FACE 0.375-16 UNC		
F	30906	BOLT – HH 3/4 NC X 7.5 LG GR 5 ZP		
G	135004	BOLT – HH 3/4 NC X 1.5 LG GR 5 ZP		
H	135490	NUT – HEX, HEAVY 3/4-10 UNC GR 5 ZP		
J	136174	WASHER – HARDENED		

18 Carrier Springs



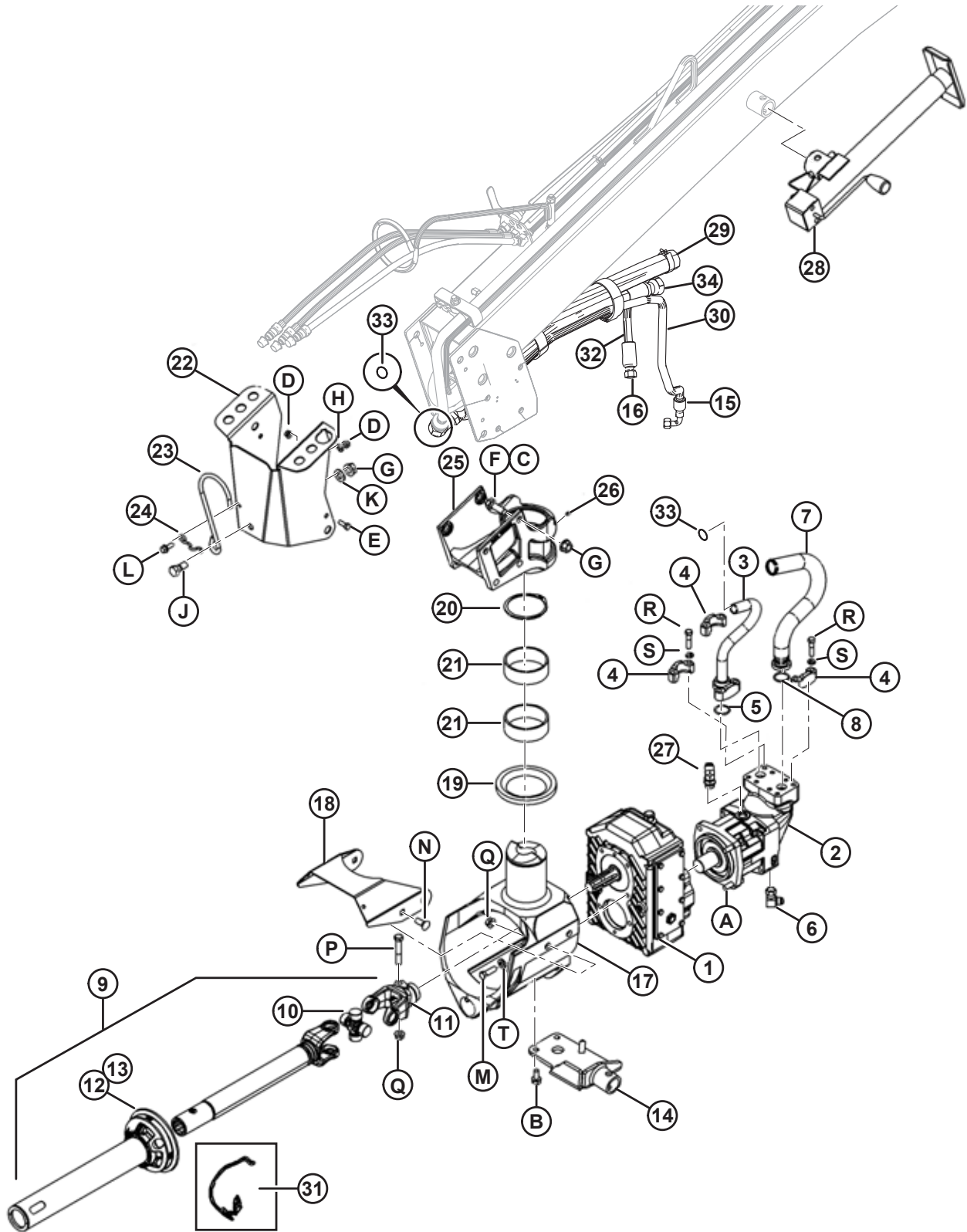
CARRIER SPRINGS

Ref	Part Number	Description	Qty	Serial Number
1	268340	SPRING – ASSEMBLY, LH DOUBLE ⁴¹	1	
2	268341	SPRING – ASSEMBLY, RH ⁴²	1	
3	194177	ARM – LINK	2	
4	30463	PIN – CLEVIS	4	
5	18608	PIN – HAIR	4	
A	153291	BOLT – HEX HD 0.75-10 UNC X 20.5 TFL GR 5		
B	21540	WASHER – HARDENED		
C	18593	NUT – HEX 3/4-10 UNC GR 5 ZP		
D	18601	WASHER – SAE FLAT 13/16 I.D. X 1.5 IN. O.D. ZP		

41. Includes yoke spring insert, casting spring insert, external extension spring, and internal booster spring assembly. These parts are not sold separately.

42. Includes yoke spring insert, casting spring insert, and extension spring. These parts are not sold separately.

19 Hitch Hydraulic Drive – 2012 and Prior



1022873

HITCH HYDRAULIC DRIVE – 2012 AND PRIOR

Ref	Part Number	Description	Qty	Serial Number
1	194039	DRIVE – GEARBOX ⁴³	1	-229509
2	194073	PUMP – BENT AXIS PISTON	1	-229509
	194183	SEAL KIT	1	
3	146394	FITTING – ADAPTER HYDRAULIC PRESSURE ⁴⁴	1	-229509
4	194043	FLANGE – HALF SPLIT, 3/4	4	-229509
5	112868	O-RING	1	-229509
6	30314	FITTING – ELBOW 90° HYD	1	-229509
7	146395	ADAPTER – SUCTION	1	-229509
8	112868	O-RING	1	-229509
9	146351	DRIVELINE – MAIN (NORTH AMERICA) ⁴⁵	1	-229509
	194525	DRIVELINE – MAIN (EXPORT ONLY) ⁴⁶	1	
10	150886	CROSS	1	-229509
11	150887	YOKE	1	-229509
12	150888	SHIELD – DRIVELINE	1	-229509
13	150889	SHIELD REPAIR KIT	1	-229509
14	150692	BRACKET WELDMENT	1	-229509
15	194104	HOSE – CASE	1	-229509
16	194089	HOSE – CASE DRAIN	1	-229509
17	150630	PIVOT – MACHINING	1	-229509
18	194531	GUARD	1	-229509
19	150634	WASHER – THRUST	1	-229509
20	30884	RING – EXT RETAINING	1	-229509
21	150633	BUSHING – 102 I.D. X 111 O.D. X 38 LONG	2	-229509
22	194202	CHANNEL	1	-229509
23	150135	HOOK	1	-229509
24	150138	CLIP	1	-229509
25	150632	PIVOT – MACHINING	1	-229509
26	18671	FITTING – LUBE 1/4-28 UNF	1	-229509
27	50103	FITTING – CONNECTOR HYD	1	-229509

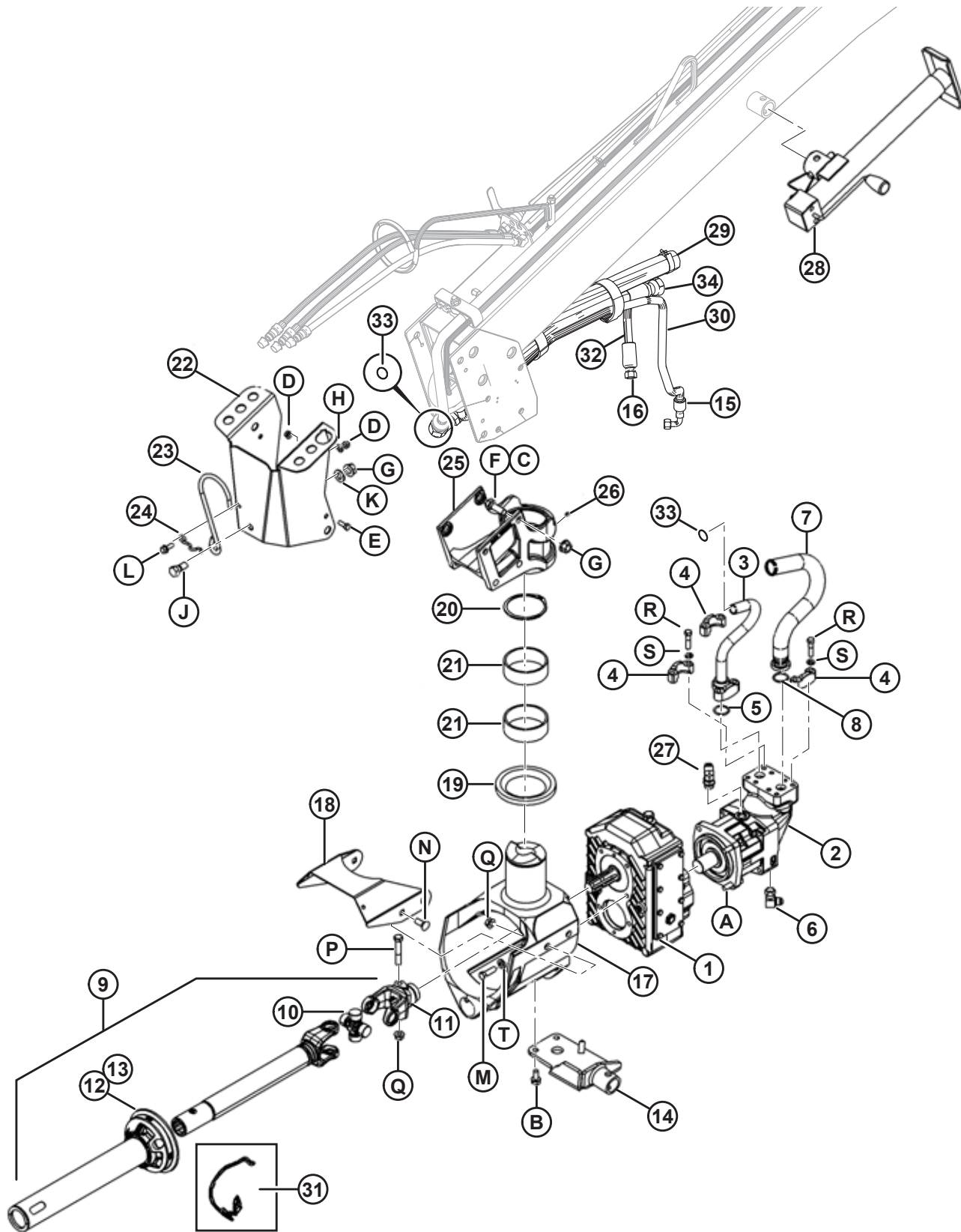
43. For service parts, refer to Section *20 Hitch Drive Gearbox – 2012 and Prior, page 57*.

44. O-ring (MD #135554) is required to connect fitting (MD #146394) with hose (MD #146404).

45. Includes cross (MD #150886), yoke (MD #150887), driveline shield (MD #150888), shield repair kit (MD #150889), and decal (MD #36651).

46. For markets that require CE compliance. Includes cross (MD #150886), yoke (MD #150887), guard repair kit (MD #236804), inner guard CE (MD #236817), safety sign (MD #36651), safety chain, decals, and manual.

HITCH HYDRAULIC DRIVE – 2012 AND PRIOR



1022873

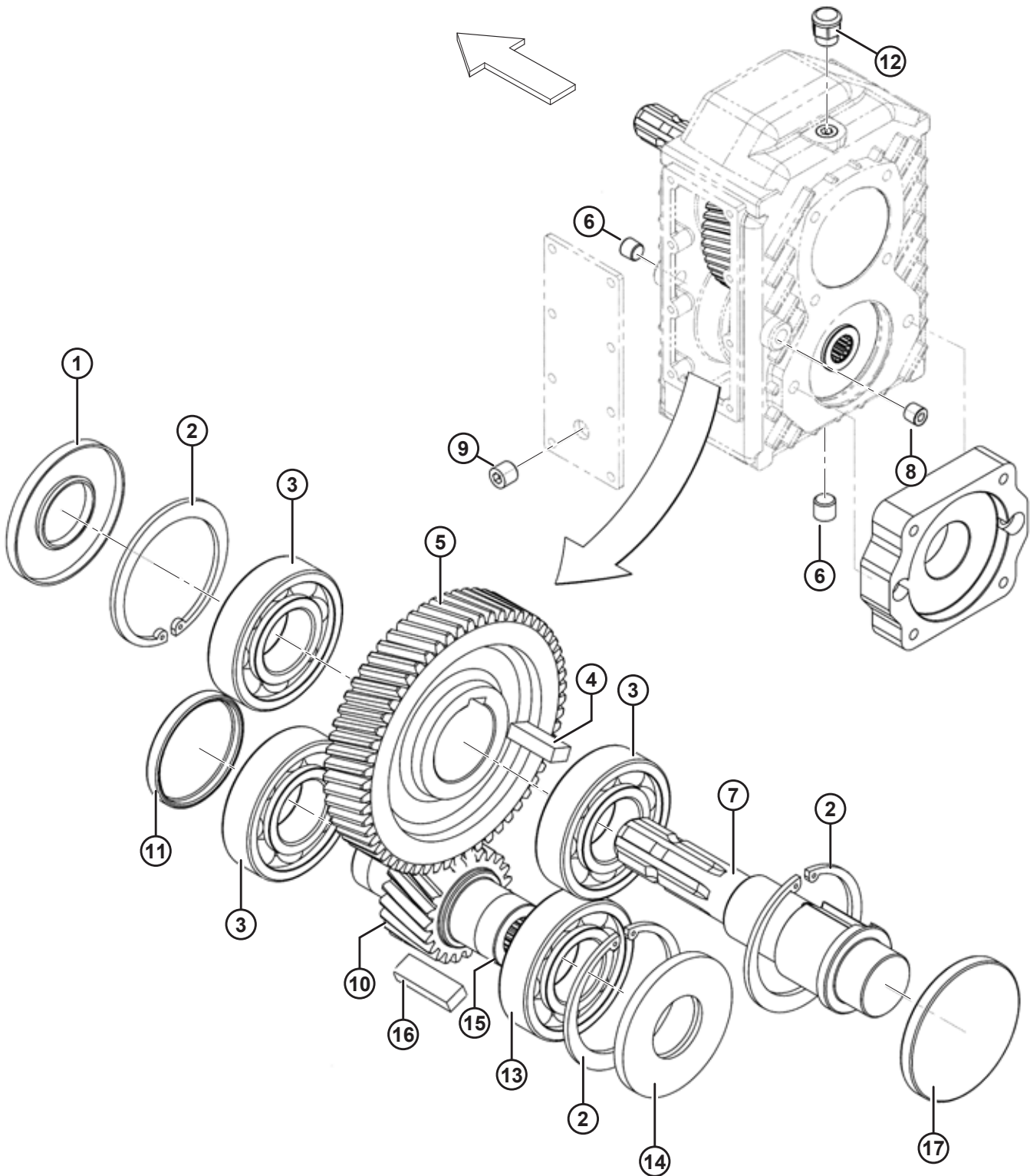
HITCH HYDRAULIC DRIVE – 2012 AND PRIOR

Ref	Part Number	Description	Qty	Serial Number
28	140269	JACK	1	-229509
29	146405	HOSE – SUCTION	1	-229509
30	136360	CLAMP – T-BOLT	2	-229509
31	171277	KIT – CE CONVERSION (EXPORT ONLY) ⁴⁷	1	-229509
32	135981	FASTENER – VELCRO STRAP (305 MM)	2	-229509
33	135554	O-RING (FOR #16 ORFS FITTING)	2	-229509
34	146404	HOSE – HIGH PRESSURE ⁴⁸	1	-229509
A	148799	BOLT – HH FLANGE M12 X 1.75 X 45 LG ZP		
B	148800	BOLT – HH FLANGE M12 X 1.75 X 25 LG ZP		
C	120901	WASHER – HARD L9 SPCL 5/8-82/85HR15N-AB3C		
D	30228	NUT – FLANGE DT SMOOTH FACE 0.375-16 UNC		
E	20077	BOLT – HEX HD 3/8 NC X 1.0 LG GR 5 ZP		
F	21582	BOLT – HEX HD 5/8 NC X 1-3/4 LG BLK PL		
G	50225	NUT – FLANGE DT SMOOTH FACE .625-11 UNC		
H	18598	WASHER – SAE FLAT 13/32 I.D. X 13/16 IN. O.D. ZP		
J	48050	BOLT – SHOULDER .625-11 UNC		
K	18600	WASHER – SAE FLAT 21/32 I.D. X 1-5/16 IN. O.D. ZP		
L	21975	BOLT – HH FLG (SER FACE) 3/8 NC X 1.0 GR 5 ZP		
M	184669	BOLT – HH M12 X 1.75 X 40 LG ZP		
N	21471	BOLT – RHSN 1/2-13 X 1.25 GR 5 ZP		
P	21560	BOLT – HH 1/2 NC X 3.0 LG GR 5 ZP		
Q	50186	NUT – FLANGE LOCK SM FACE DT 0.500-13 UNC GR 5		
R	21564	BOLT – HEX HD 7/16 NC X 1.75 LG GR 5 ZP		
S	18652	WASHER – REG. LOCK 7/16 IN. NOM. I.D. ZP		
T	30636	WASHER – FLAT		

47. Includes two chains, decals, CE manual, and instruction sheet.

48. O-ring (MD #135554) is required to connect fitting (MD #146394) with hose (MD #146404).

20 Hitch Drive Gearbox – 2012 and Prior

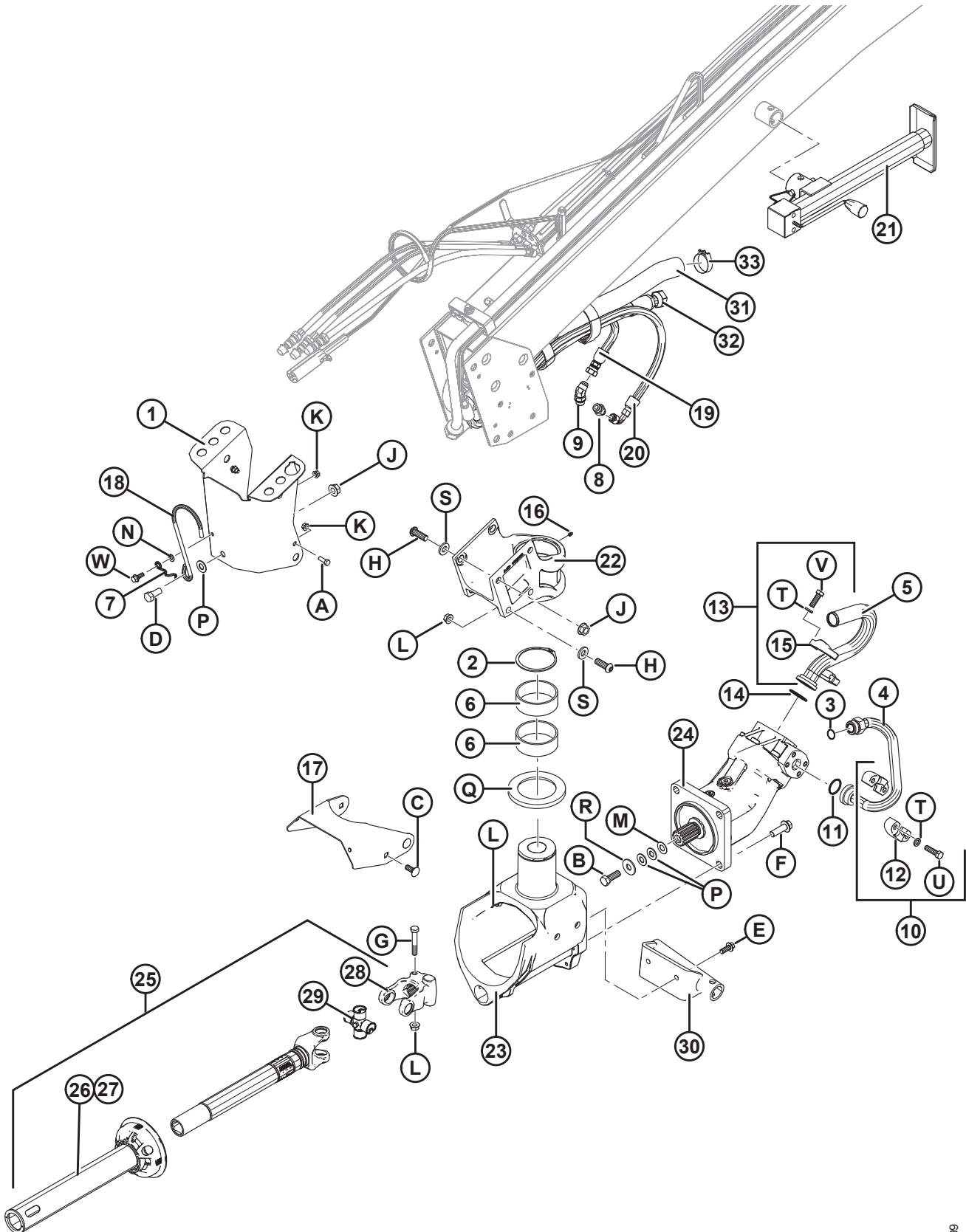


HITCH DRIVE GEARBOX – 2012 AND PRIOR

Ref	Part Number	Description	Qty	Serial Number
	194039	DRIVE – GEARBOX ⁴⁹		-229509
1	150857	SEAL – 45 X 100 X 8 DOUBLE LIP	1	-229509
2	150858	RING – RETAINING	3	-229509
3	150859	BEARING – BALL	3	-229509
4	150860	KEY – UPPER, 16 MM WIDE, 10 MM TALL, 40 MM LONG	1	-229509
5	194185	GEAR – PUMP DRIVE	1	-229509
6	150862	FITTING – PLUG, 1/2 IN. GAS	2	-229509
7	150863	SHAFT – 6T MALE SPLINE, INPUT SHAFT	1	-229509
8	150864	FITTING – PLUG, 3/8 IN. GAS	2	-229509
9	150865	INDICATOR – OIL LEVEL	1	-229509
10	194186	GEAR – PUMP DRIVE	1	-229509
11	150867	CAP – PLASTIC, END SEAL	1	-229509
12	150868	BREATHER – FILLER, 1/2 IN. GAS	1	-229509
13	150869	BEARING – 100 MM O.D., 55 MM I.D., 21 MM WIDE	1	-229509
14	150870	SEAL – DOUBLE LIP 55 X 100 X 10	1	-229509
15	194211	SHAFT – OUTPUT, 1.375 X 21 T FEMALE	1	-229509
16	194212	KEY – LOWER, 16 MM X 10 MM X 50 MM	1	-229509
17	111284	CAP – DUST	1	-229509

49. For hitch drive gearbox placement, refer to Section [19 Hitch Hydraulic Drive – 2012 and Prior, page 53](#).

21 Hitch Hydraulic Drive – 2013 and Later



HITCH HYDRAULIC DRIVE – 2013 AND LATER

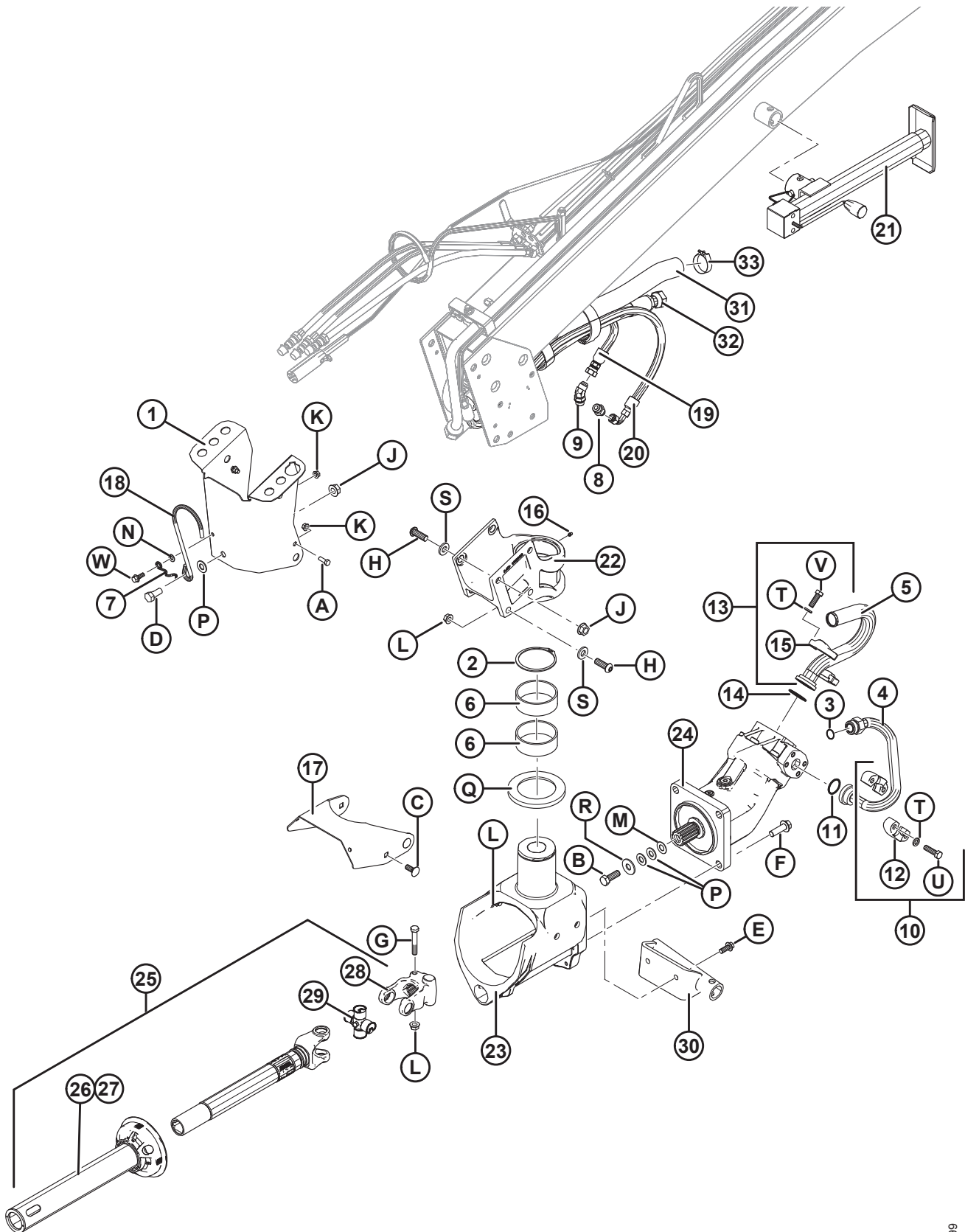
Ref	Part Number	Description	Qty	Serial Number
1	194202	COVER – HITCH	1	229510–
2	30884	RING – EXT RETAINING	1	229510–
3	135554	O-RING	3	229510–
4	146745	ADAPTER – TUBE FITTING PRESSURE	1	229510–
5	146760	ADAPTER – TUBE FITTING SUCTION	1	229510–
6	150633	BUSHING – 102 I.D. X 111 O.D. X 38 LONG	2	229510–
7	150138	CLIP	1	229510–
8	21881	FITTING – ADAPTER HYD	1	229510–
9	50103	FITTING – ELBOW 45° HYD C/W O-RING	1	229510–
10	135881	FLANGE – SPLIT, 1.25 IN. CODE 62 C/W HARDWARE ⁵⁰	1	229510–
11	194041	O-RING – 1.484 IN. I.D. X 0.139 IN. WALL		229510–
12	135875	FLANGE – HALF SPLIT		229510–
13	136246	FLANGE – SPLIT, 1.5 IN. CODE 61 C/W HARDWARE ⁵¹	1	229510–
14	135400	O-RING – 1.859 IN. I.D. X 0.139 IN. WALL		229510–
15	136106	FLANGE – HALF SPLIT 1.5 IN. CODE 61		229510–
16	18671	FITTING – LUBE 1/4-28 UNF	1	229510–
17	194531	GUARD	1	229510–
18	150135	HOOK	1	229510–
19	198547	HOSE – DRAIN	1	229510–
20	198546	HOSE – DRAIN	1	229510–
21	140269	JACK	1	229510–
22	150632	PIVOT – MACHINING	1	229510–
23	198470	PIVOT – PULL-TYPE MOCO HITCH	1	229510–
24	196495	PUMP – BENT AXIS	1	229510–
	236534	SEAL KIT		
25	196476	DRIVELINE – MAIN, 1.75 IN. SPLINE SHAFT ⁵²	1	229510–
26	150889	SHIELD REPAIR KIT	1	229510–
27	150888	SHIELD – DRIVELINE	1	229510–

50. Includes two flanges (MD #135875), O-ring (MD #194041), four bolts (MD #21565), and four washers (MD #18638).

51. Includes two flanges (MD #136106), O-ring (MD #135400), four bolts (MD #18723), and four washers (MD #18638).

52. Includes cross (MD #150886), yoke (MD #236511), driveline shield (MD #150888), shield repair kit (MD #150889), and decal (MD #36651).

HITCH HYDRAULIC DRIVE – 2013 AND LATER

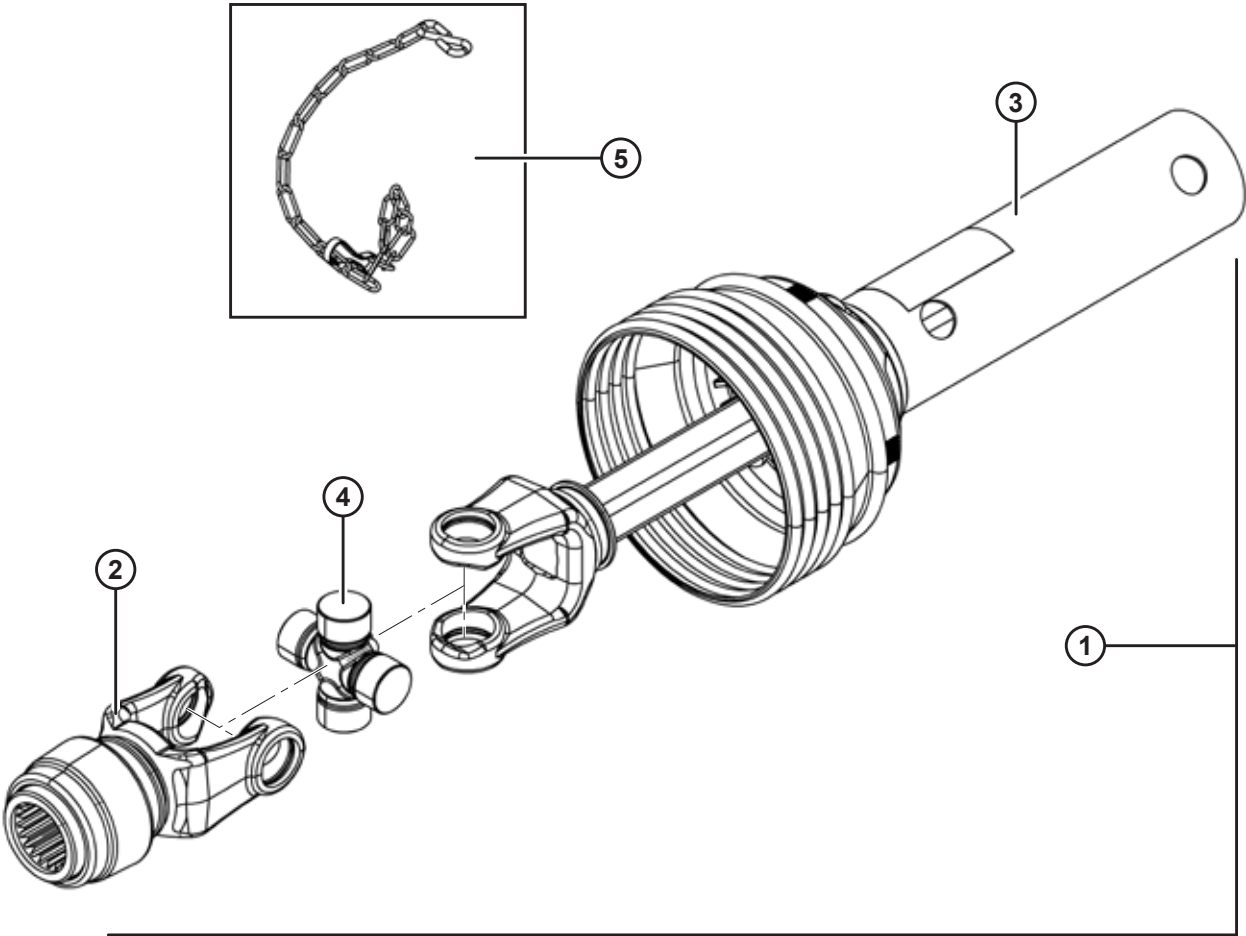


1002599

HITCH HYDRAULIC DRIVE – 2013 AND LATER

Ref	Part Number	Description	Qty	Serial Number
28	236511	YOKE	1	229510–
29	150886	CROSS	1	229510–
30	142961	SUPPORT	1	229510–
31	146405	HOSE – SUCTION	1	229510–
32	146404	HOSE – PRESSURE	1	229510–
33	136360	CLAMP – T-BOLT	1	229510–
A	20077	BOLT – HEX HD 3/8 NC X 1.0 LG GR 5 ZP		
B	21582	BOLT – HH 5/8 NC X 1.75 LG GR 5 ZP		
C	21471	BOLT – RHSN 1/2 NC X 1.25 GR 5 ZP		
D	48050	BOLT – SHOULDER .625-11 UNC		
E	148798	BOLT – HEX FLG HD ISO 4162		
F	136101	BOLT – HEX FLG HD TFL ISO 4162		
G	21560	BOLT – HEX HD SAE J429		
H	21582	BOLT – HEX HD 5/8 NC X 1.75 L BLK PL		
J	50225	NUT – FLANGE DT SMOOTH FACE .625-11 UNC		
K	30228	NUT – FLANGE DT SMOOTH FACE 0.375-16 UNC		
L	50186	NUT – FLANGE LOCK SM FACE DT 0.500-13 UNC GR 5		
M	124767	WASHER – HARD ASTM F436 16-434HV-AB3C		
N	18598	WASHER – SAE FLAT 13/32 I.D. X 13/16 IN. O.D. ZP		
P	18600	WASHER – SAE FLAT 21/32 I.D. X 1-5/16 IN. O.D. ZP		
Q	150634	WASHER – THRUST		
R	184600	WASHER – FLAT		
S	120901	WASHER – FLAT HARDENED 5/8 IN. NOMINAL (L9)		
T	18638	WASHER – REG. LOCK 1/2 IN. NOM. I.D. ZP		
U	21565	BOLT – HH 1/2 NC X 1.75 LG GR 5 ZP		
V	18723	BOLT – HH 1/2 NC X 1.5 LG TFL GR 5 ZP		
W	21975	BOLT – HH FLG (SER FACE) 3/8 NC X 1.0 GR 5 ZP		

22 Front Half Drivelines



FRONT HALF DRIVELINES

Ref	Part Number	Description	Qty	Serial Number
		DRIVELINE – 1.75 IN 20 T FRONT HALF (FOR 3PT HITCH)		
1	146555	DRIVELINE – C/W DECALS (NORTH AMERICA) ⁵³	1	
	146574	DRIVELINE – C/W DECALS AND SHIELD CHAIN (EXPORT) ⁵⁴	1	
2	150890	YOKE	1	
	150891	YOKE REPAIR KIT	1	
3	146556	SHIELD, C/W DECAL	1	
	150889	SHIELD REPAIR KIT	1	
4	150886	CROSS	1	
5	171277	KIT – CE CONVERSION (EXPORT ONLY) ⁵⁵	A/R	
		DRIVELINE – 1.375 IN 21 T FRONT HALF (FOR 3PT HITCH)		
1	196141	DRIVELINE – C/W DECALS (NORTH AMERICA) ⁵³	1	
	146367	DRIVELINE – C/W DECALS AND SHIELD CHAIN (EXPORT) ⁵⁶	1	
2	150893	YOKE	1	
	133632	YOKE REPAIR KIT	1	
3	146352	SHIELD, C/W DECAL	1	
	150889	SHIELD REPAIR KIT	1	
4	150886	CROSS	1	
5	171277	KIT – CE CONVERSION (EXPORT ONLY) ⁵⁴	A/R	

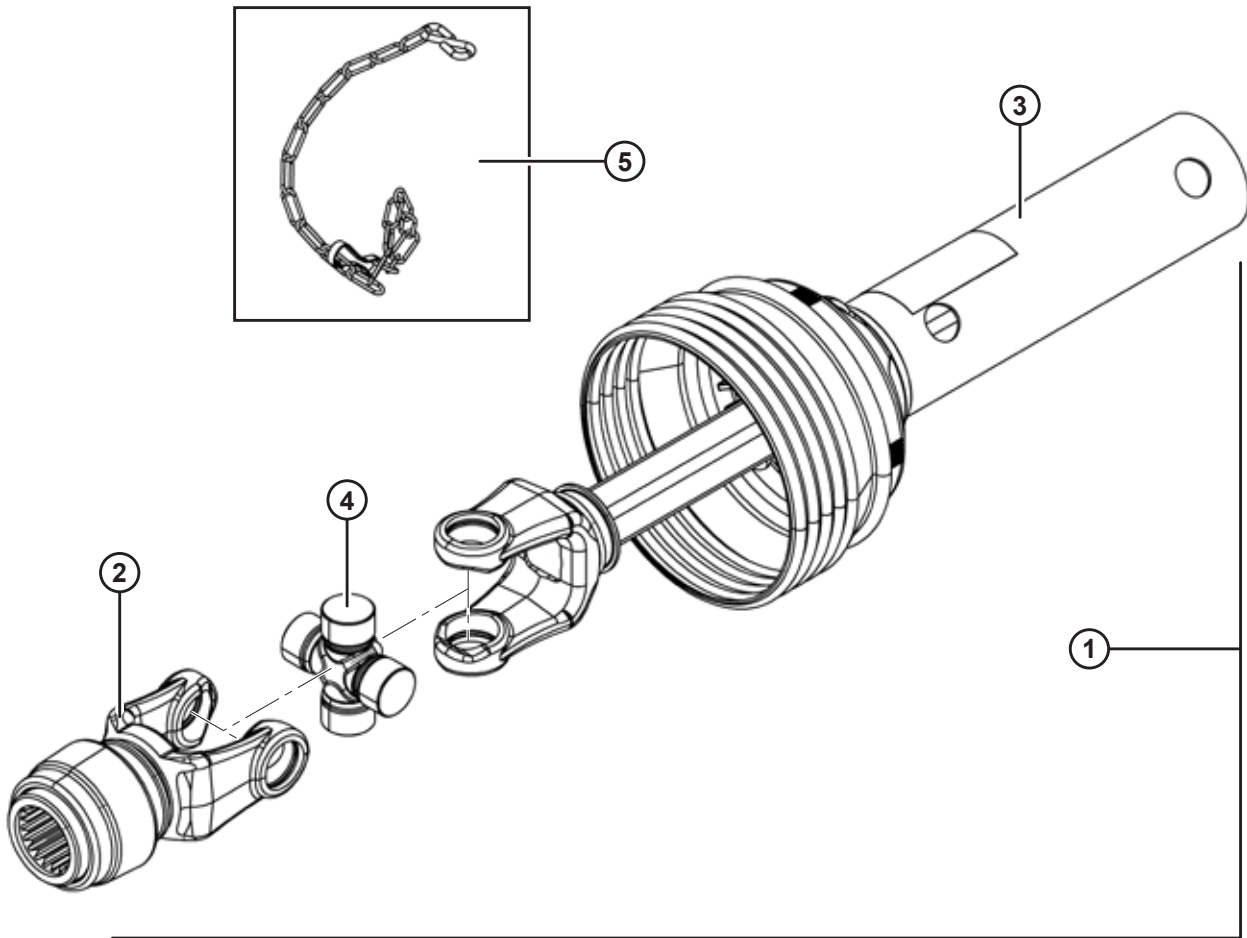
53. Includes decal (MD #194521).

54. For markets that require CE compliance. Includes cross (MD #150886), yoke (MD #150890), yoke repair kit (MD #150891), guard repair kit (MD #236804), outer guard CE (MD #236815), safety sign (MD #30316), decal (MD #194521), safety chain, and manual.

55. For markets that require CE compliance. Includes two safety chains, CE certification decal, CE warning decal, CE manual, and instruction sheet.

56. For markets that require CE compliance. Includes cross (MD #150886), yoke (MD #150893), yoke repair kit (MD #133632), guard repair kit (MD #236804), outer guard CE (MD #236816), safety sign (MD #30316), decal (MD #194521), safety chain, and manual.

FRONT HALF DRIVELINES



1002600

FRONT HALF DRIVELINES

Ref	Part Number	Description	Qty	Serial Number
		DRIVELINE – 1.75 IN 20 T FRONT HALF (STD DRAWBAR HITCH)		
1	150049	DRIVELINE – C/W DECALS (NORTH AMERICA) ⁵⁷	1	
	194527	DRIVELINE – C/W DECALS AND SHIELD CHAIN (EXPORT) ⁵⁸	1	
2	150890	YOKE	1	
	150891	YOKE REPAIR KIT	1	
3	150892	SHIELD, C/W DECAL	1	
	150889	SHIELD REPAIR KIT	1	
4	150886	CROSS	1	
5	171277	KIT – CE CONVERSION (EXPORT ONLY) ⁵⁹	A/R	
		DRIVELINE – 1.375 IN 21 T FRONT HALF (STD DRAWBAR HITCH)		
1	150620	DRIVELINE – C/W DECALS (NORTH AMERICA) ⁵⁷	1	
	194526	DRIVELINE – C/W DECALS AND SHIELD CHAIN (EXPORT) ⁶⁰	1	
2	150893	YOKE	1	
	133632	YOKE REPAIR KIT	1	
3	150895	SHIELD, C/W DECAL	1	
	150889	SHIELD REPAIR KIT	1	
4	150886	CROSS	1	
5	171277	KIT – CE CONVERSION (EXPORT ONLY) ⁵⁸	A/R	

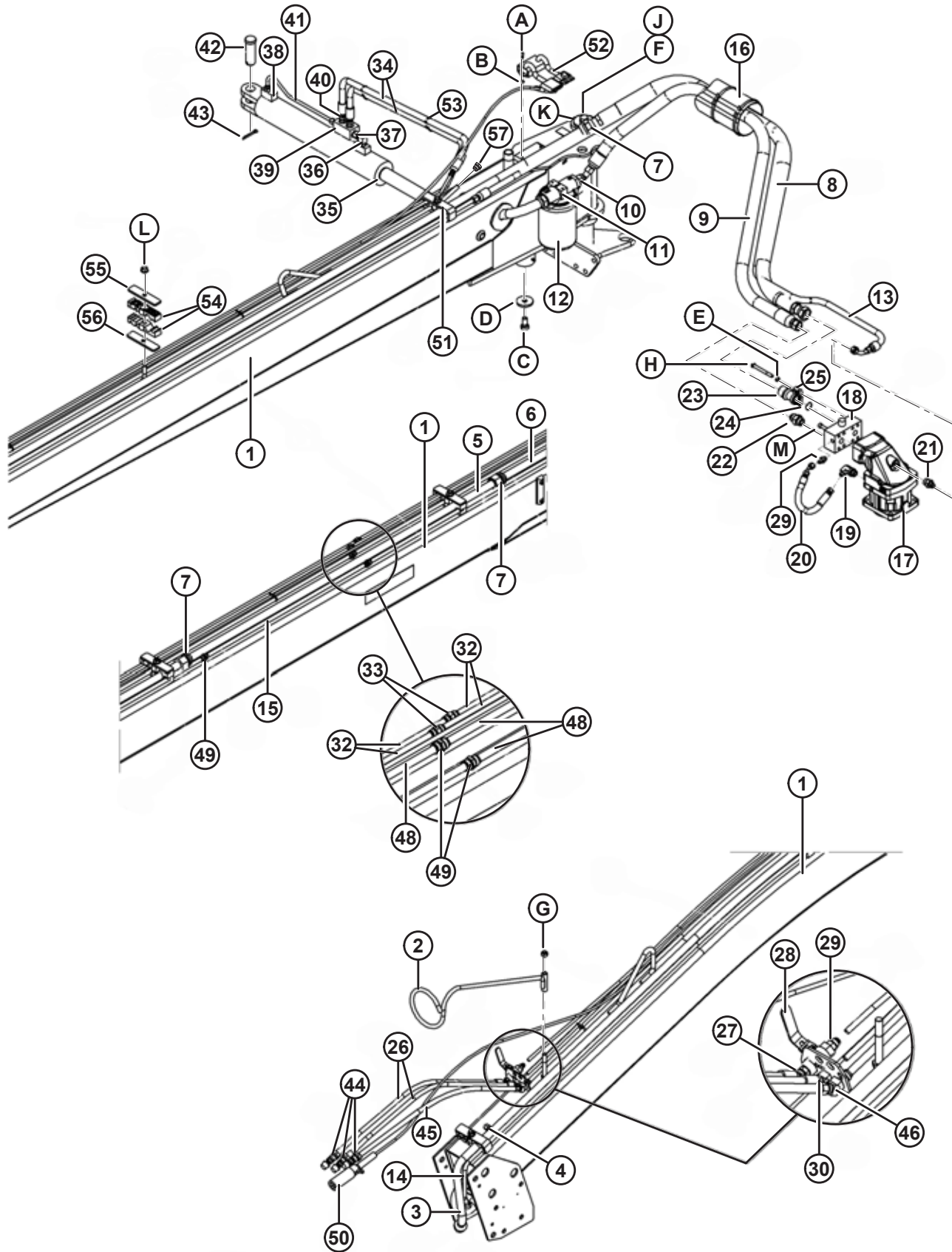
57. Includes decal (MD #194521).

58. For markets that require CE compliance. Includes cross (MD #150886), yoke (MD #150890), yoke repair kit (MD #150891), guard repair kit (MD #236804), outer guard CE (MD #236829), safety sign (MD #30316), decal (MD #194521), safety chain, and manual.

59. For markets that require CE compliance. Includes two safety chains, CE certification decal, CE warning decal, CE manual, and instruction sheet.

60. For markets that require CE compliance. Includes cross (MD #150886), yoke (MD #150893), yoke repair kit (MD #133632), guard repair kit (MD #236804), outer guard CE (MD #236828), safety sign (MD #30316), decal (MD #194521), safety chain, and manual.

23 Hitch Hydraulics and Electrical



HITCH HYDRAULICS AND ELECTRICAL

Ref	Part Number	Description	Qty	Serial Number
1	REF	HITCH ASSEMBLY ⁶¹	1	
2	150287	ARM WELDMENT	1	
3	150732	LINE – HYDRAULIC	1	
4	30813	CAP – 3/8 IN. TUBE	1	
5	150713	LINE – HYDRAULIC	1	
6	150714	LINE – HYDRAULIC	1	
7	135554	O-RING	3	
8	150715	HOSE – HIGH PRESSURE	1	
9	194097	HOSE – RETURN	1	
10	135619	FITTING – CONNECTOR HYD	1	
11	151974	FILTER HEAD – 1-5/8 IN. -12 SAE (#20)	1	
12	183620	KIT – FILTER, SERVICE ⁶²	1	
13	194103	HOSE – DRAIN	1	
14	150123	LINE – HYDRAULIC	1	
15	194004	LINE – HYDRAULIC	1	
16	150311	SLEEVE	1	
17	194100	MOTOR – HYDRAULIC ⁶³	1	-229509
	194184	SEAL KIT	1	
	198610	MOTOR – HYDRAULIC ⁶⁴	1	229510-
	236535	SEAL KIT	1	

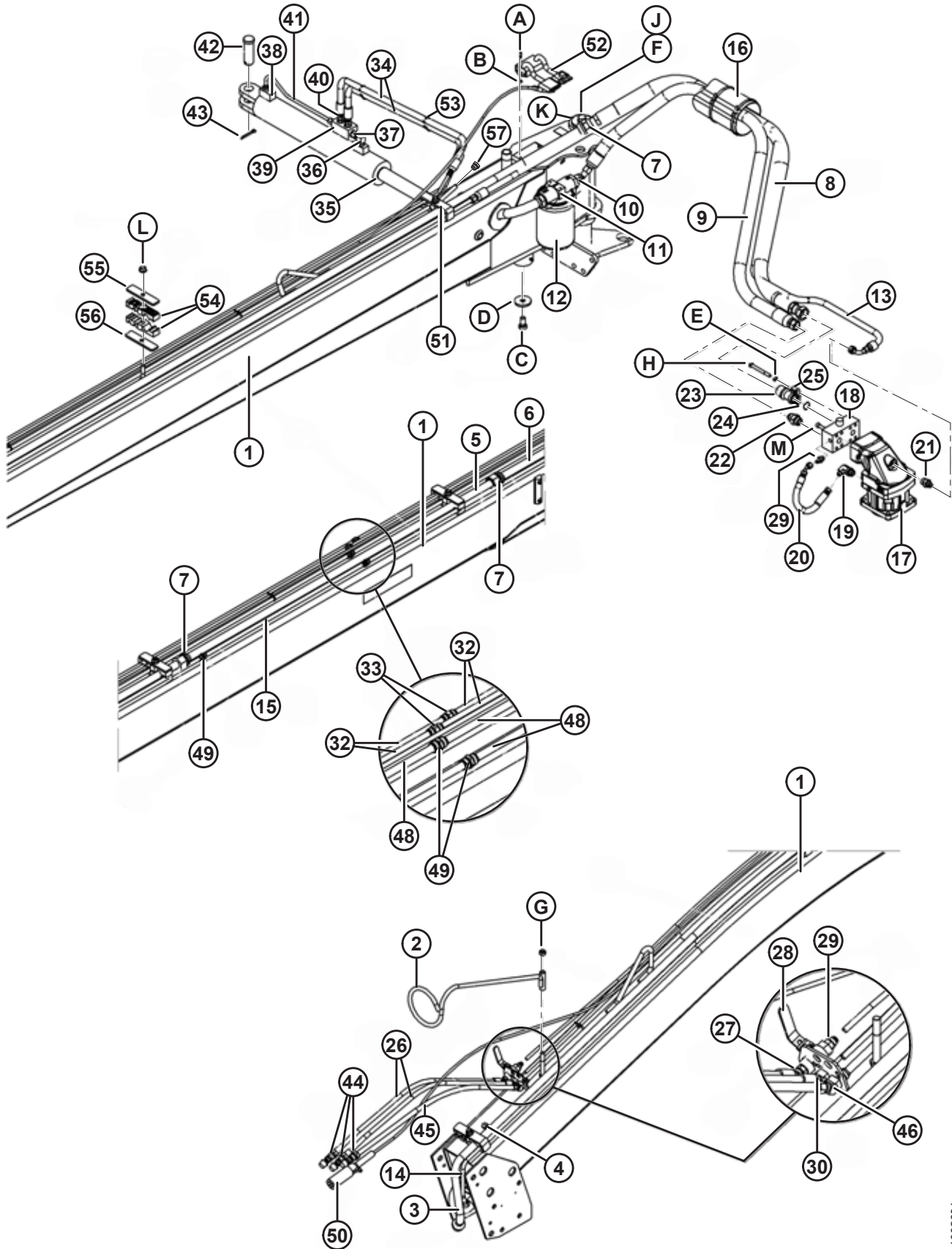
61. For service parts, refer to Section *24 Hitch Assembly, page 75*.

62. Kit includes filter element with rectangular seal and O-ring which are not sold separately.

63. For 2012 and prior model year units.

64. For 2013 and later model year units.

HITCH HYDRAULICS AND ELECTRICAL



1002601

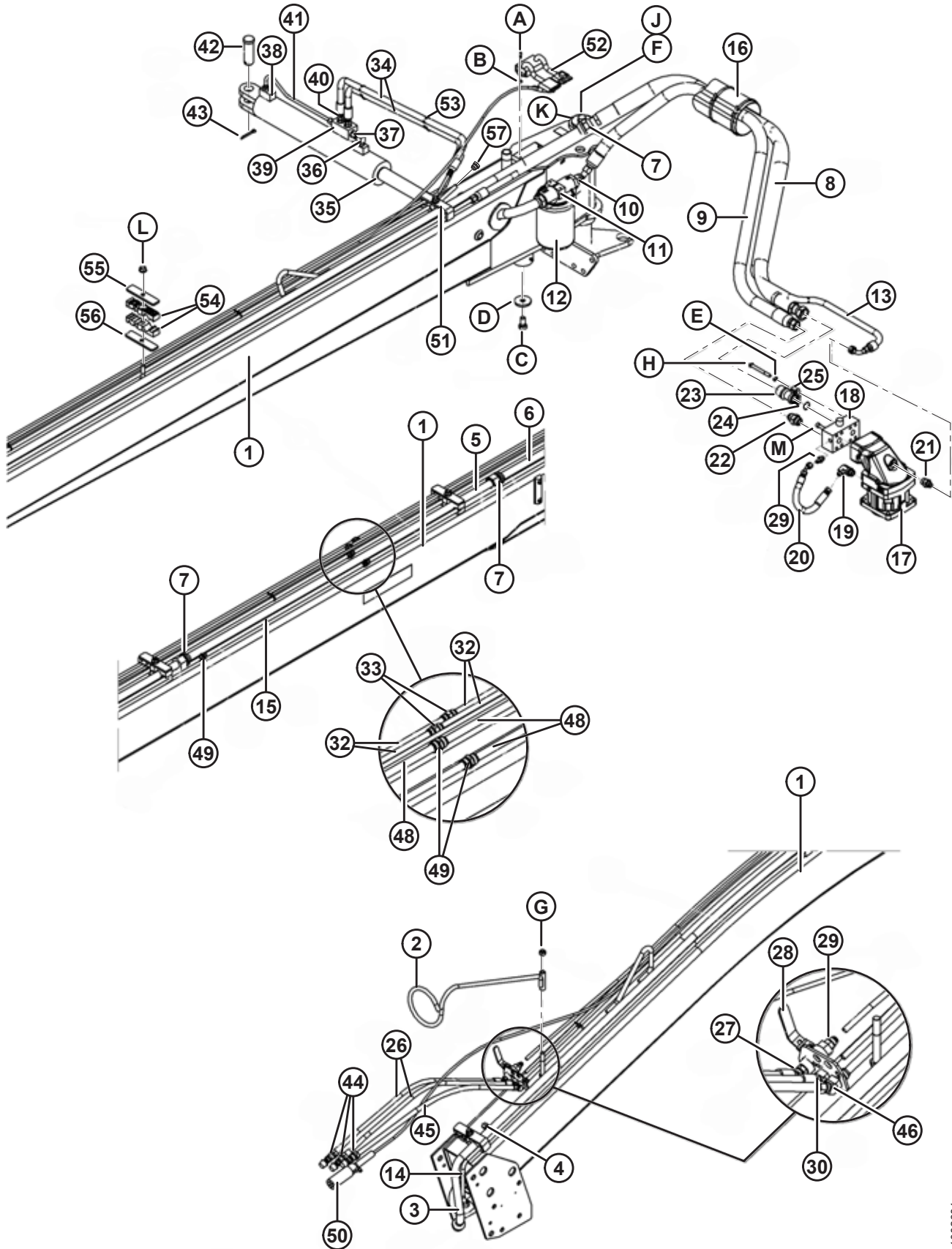
HITCH HYDRAULICS AND ELECTRICAL

Ref	Part Number	Description	Qty	Serial Number
18	194101	VALVE – C/W HARDWARE (PARKER HANNIFIN) ⁶⁵	1	–229509
	194187	VALVE – PRESSURE RELIEF (PARKER HANNIFIN)	1	
	236393	O-RING (PARKER HANNIFIN)		
	150595	O-RING (PARKER HANNIFIN)	2	
	150904	VALVE – RELIEF (SUN HYDRAULICS) ⁶⁵	1	–229509
	150906	SEAL KIT – FOR RELIEF VALVE 150904 (SUN HYDRAULICS)		
	150905	VALVE – CHECK (SUN HYDRAULICS)	1	
	150907	SEAL KIT – FOR CHECK VALVE 150905 (SUN HYDRAULICS)		
	150595	O-RING (SUN HYDRAULICS)	2	
	236634	VALVE – C/W HARDWARE ⁶⁶	1	229510–
	150595	O-RING	2	
	236684	VALVE – CHECK	1	
	236538	VALVE – RELIEF	1	
19	135352	FITTING – ELBOW 90° HYD	1	
20	194094	HOSE – DRAIN	1	
21	21881	FITTING – ADAPTER HYD	1	
22	21830	FITTING – CONNECTOR HYD	1	
23	135550	FITTING – 3/4 IN. CD 62 X #16 MALE ORS C/W O-RING	1	
24	150595	O-RING	3	
25	194026	FLANGE – HALF SPLIT 3/4 IN.-CODE 62	2	
26	148968	HOSE	2	
27	30284	FITTING – ELBOW 45° HYD CW O-RING	1	
28	247875	VALVE – BALL	1	
29	15903	FITTING – CONNECTOR HYD	2	
30	150256	FITTING – ELBOW, BULKHEAD UNION HYD	1	
32	150104	LINE – HYDRAULIC	4	

65. For model year 2012 and prior units, valve comes from two suppliers; Parker Hannifin (MD #194101) and Sun Hydraulics (MD #150904), make sure you order the correct service parts. For units made in model year 2013 and later see valve MD #236634.

66. For 2013 and later model year units.

HITCH HYDRAULICS AND ELECTRICAL



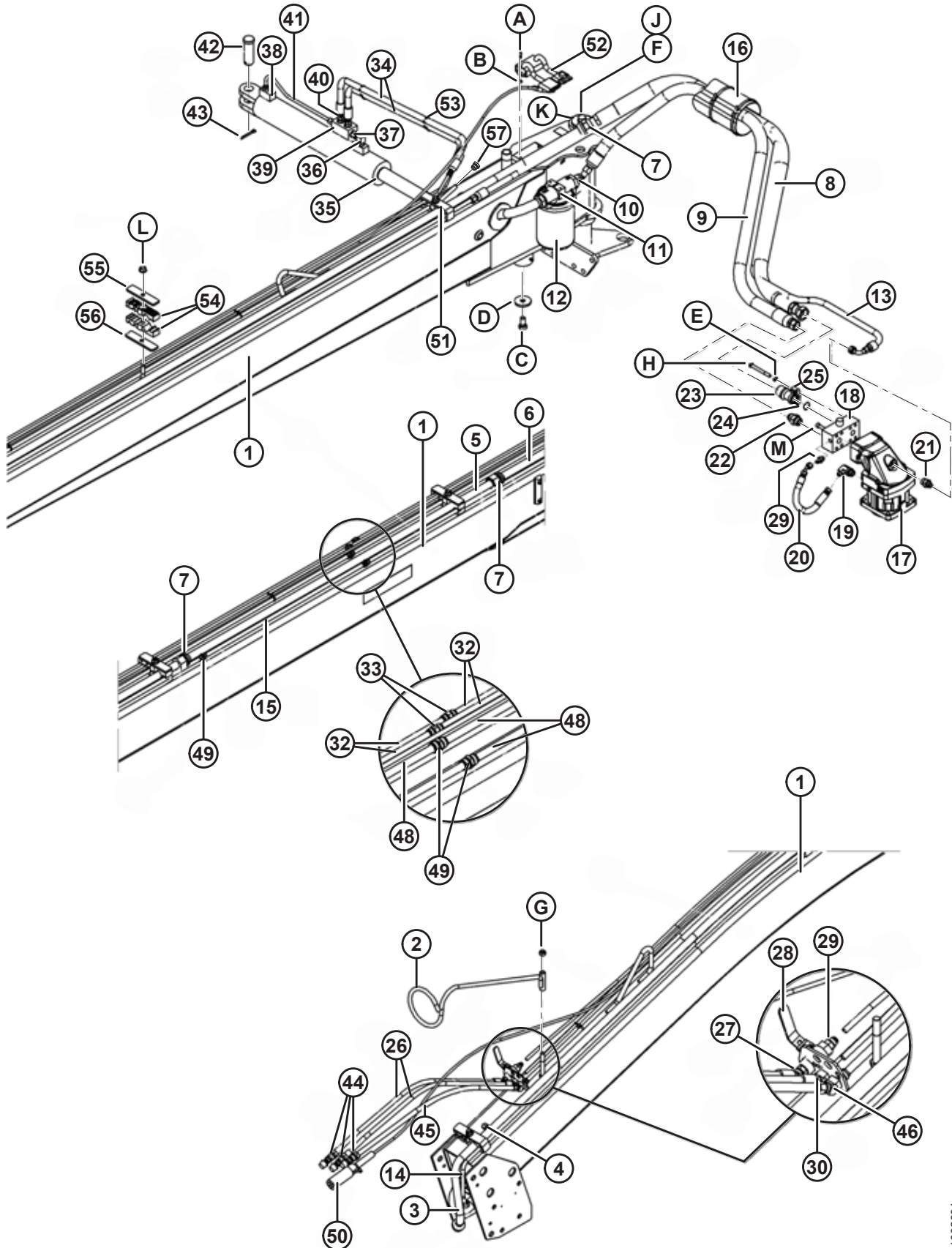
1002601

HITCH HYDRAULICS AND ELECTRICAL

Ref	Part Number	Description	Qty	Serial Number
33	30375	FITTING – UNION HYD	2	
34	150101	HOSE	2	
35	149829	CYLINDER – HYDRAULIC	1	
	150331	SEAL KIT		
36	30283	FITTING – ELBOW HYD	1	
37	135015	FITTING – ADAPTER HYD	1	
38	21804	FITTING – CONNECTOR HYD	1	
39	148851	VALVE – PRESSURE BALANCE	1	
40	15903	FITTING – CONNECTOR HYD	3	
41	148918	LINE – HYDRAULIC	1	
42	135414	PIN – CLEVIS	1	
43	18609	PIN – COTTER 1/4 DIA X 2 ZP	1	
44	135563	FITTING – COUPLING HYD	3	
45	150075	HOSE	1	
46	150255	FITTING – ELBOW, BULKHEAD UNION HYD	1	
48	150105	LINE – HYDRAULIC	3	
49	30846	FITTING – UNION HYD	3	
50	171069	HARNESS – WIRING	1	
51	150899	PLATE	2	
52	171068	RELAY – TRANSPORT LIGHTING MODULE	1	
53	21763	FASTENER – CABLE TIE (BLACK)	5	
54	149866	CLAMP	12	
55	149810	PLATE	4	
56	146391	PLATE SPACER	2	
57	135374	PLUG – 1/2 IN. TUBE (STEEL) ⁶⁷	1	

67. Used to prevent rust and foreign material from entering the hydraulic system.

HITCH HYDRAULICS AND ELECTRICAL



1002601

HITCH HYDRAULICS AND ELECTRICAL

Ref	Part Number	Description	Qty	Serial Number
A	135020	SCREW – MACHINE		
B	135021	NUT – SPECIAL		
C	135547	BOLT – HH 5/8 NC X 1.25 LG GR 5 ZP WITH PATCH		
D	150093	WASHER		
E	18637	WASHER – REG. LOCK 3/8 IN. NOM. I.D. ZP (PARKER HANNIFIN / SUN HYDRAULICS) ⁶⁸		-229509
	30632	WASHER – LOCK SPRING ⁶⁹		229510-
F	18639	WASHER – REG. LOCK 5/8 IN. NOM. I.D. ZP		
G	18697	NUT – HEX LOCK DT .500-13 UNC		
H	135442	BOLT – HH 3/8 NC X 3.5 LG GR 8 ZP (PARKER HANNIFIN) ⁷⁰		-229509
	252849	BOLT – HEX HD 3/8-16 X 5.0-GR8-AA1J (SUN HYDRAULICS) ⁷¹		-229509
	136354	SCREW – HEX SOC HD ISO 4762M10 ⁶⁹		229510-
J	21594	BOLT – HEX HD 0.625-11 UNC X 1.50		
K	49464	WASHER – FLAT		
L	50186	NUT – FLANGE LOCK SM FACE DT 0.500-13 UNC GR 5		
M	135607	SCREW – HEX SOC HD 3/8-16 X 2.25 (PARKER HANNIFIN) ⁷⁰		-229509
	252850	SCREW – HEX SOC HD 3/8-16 X 3.75-GR8-AA1J (SUN HYDRAULICS) ⁷¹		-229509
	136108	SCREW – HEX SOC HD M10 X 1.5 X 80-12.9-BO ⁶⁹		229510-

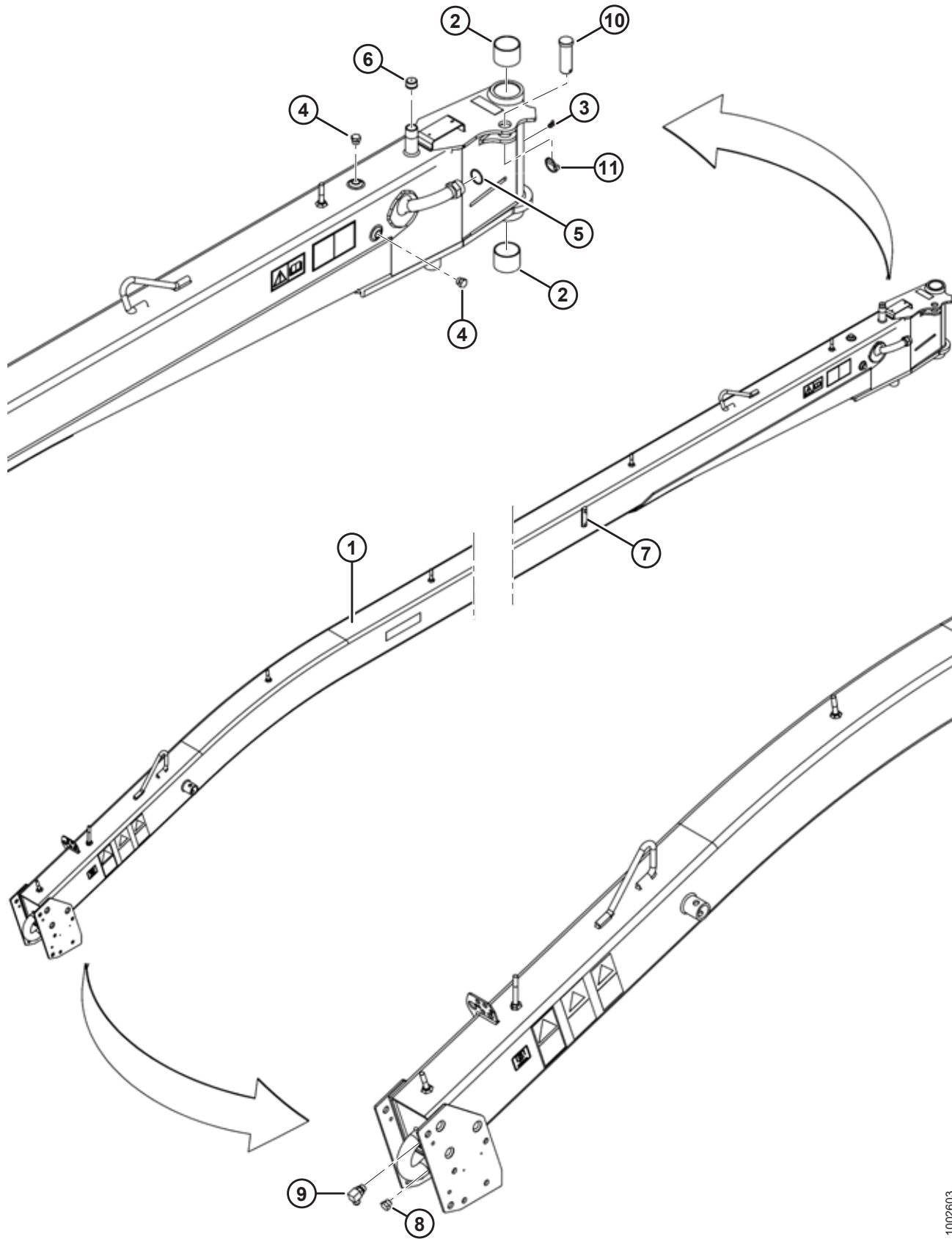
68. Installation hardware for valves MD #194101 and MD #150904. 2012 and prior model year.

69. Installation hardware for valve MD #236634. 2013 and later model year.

70. Installation hardware for valve MD #194101. 2012 and prior model year.

71. Installation hardware for valve MD #150904. 2012 and prior model year.

24 Hitch Assembly

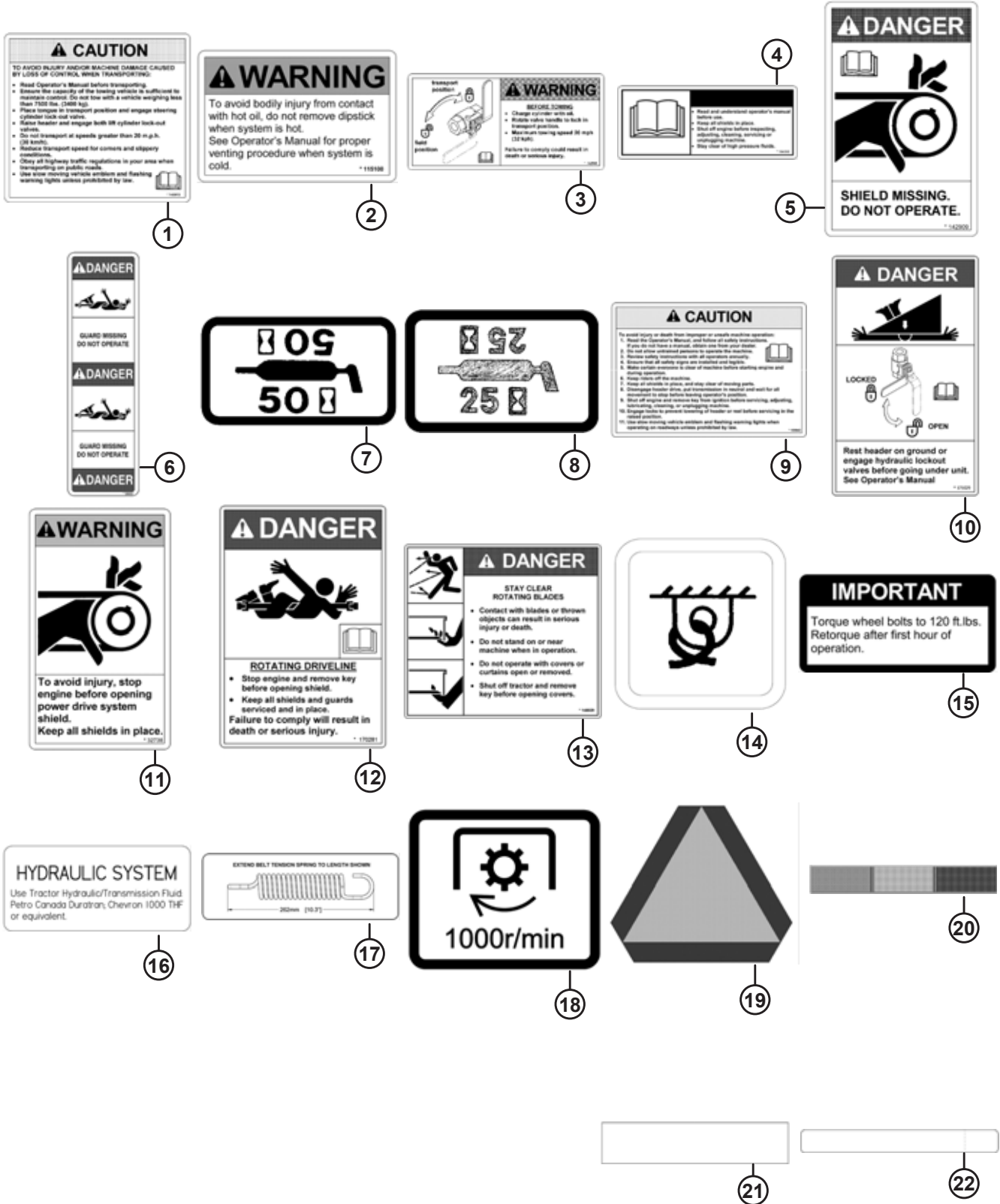


HITCH ASSEMBLY

Ref	Part Number	Description	Qty	Serial Number
1	194475	HITCH ASSEMBLY – C/W BUSHING AND DECALS ⁷²	1	
2	107201	BUSHING – SLEEVE	2	
3	21010	FITTING – LUBE 90° 1/4-28 TAPER THD	1	
4	136140	PLUG – HEX C/W O-RING	2	
5	50222	O-RING	1	
6	6006	CAP – 1 IN. NPT	1	
7	156696	GAUGE – LEVEL	1	
8	44207	PLUG – C/W O-RING	1	
	44209	O-RING	2	
9	21076	FITTING – ELBOW HYD	1	
10	135414	PIN – CLEVIS	1	
11	102264	PIN – LYNCH	1	

72. Includes all listed parts except pins (MD #135414 and 102264). Also includes decals (MD #113482, 194464, 174436, 194468, 171281, 259058, 171298).

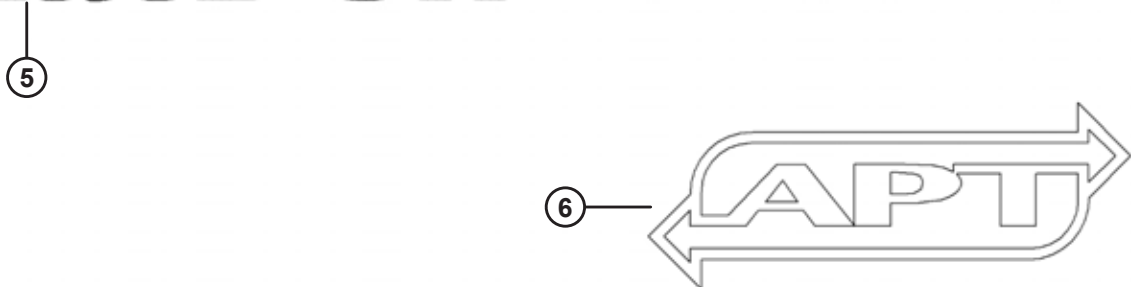
25 Decals – Information and Reflectors



DECALS – INFORMATION AND REFLECTORS

Ref	Part Number	Description	Qty	Serial Number
1	142912	DECAL – CAUTION		
2	115100	DECAL – WARNING		
3	142908	DECAL – WARNING, TRANSPORT LOCK ENGAGEMENT		
4	184390	DECAL – READ INSTRUCTION WARNING		
5	142909	DECAL – DANGER		
6	36651	DECAL – DANGER		
7	23165	DECAL – 50 HR LUBE		
8	23164	DECAL – 25 HR LUBE		
9	109843	DECAL – GENERAL CAUTION		
10	171029	DECAL – DANGER		
11	32738	DECAL – WARNING		
12	170281	DECAL – DANGER		
13	148829	DECAL – DANGER ROTATING BLADES		
14	109207	DECAL – TIE DOWN		
15	101375	DECAL – IMPORTANT, WHEEL BOLT TORQUE		
16	194021	DECAL – HYDRAULIC OIL		
17	136331	DECAL – SPRING TENSION		
18	194468	DECAL – 1000 RPM		
19	115148	DECAL – SMV		
20	150651	DECAL – GAUGE, HYD CENTER LINK		
21	115145	REFLECTOR – FLUORESCENT RED-ORANGE		
	115146	REFLECTOR – AMBER		
	115147	REFLECTOR – RED		
22	132117	STRIP – ANTI-SLIP (450 X 50 MM)		
	132898	STRIP – ANTI-SLIP (450 X 80 MM) PULL-TYPE ONLY		

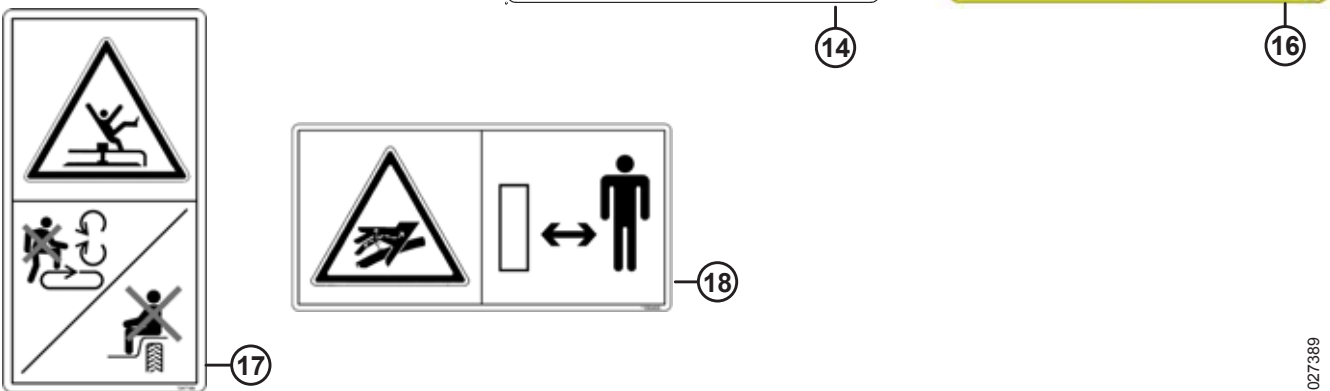
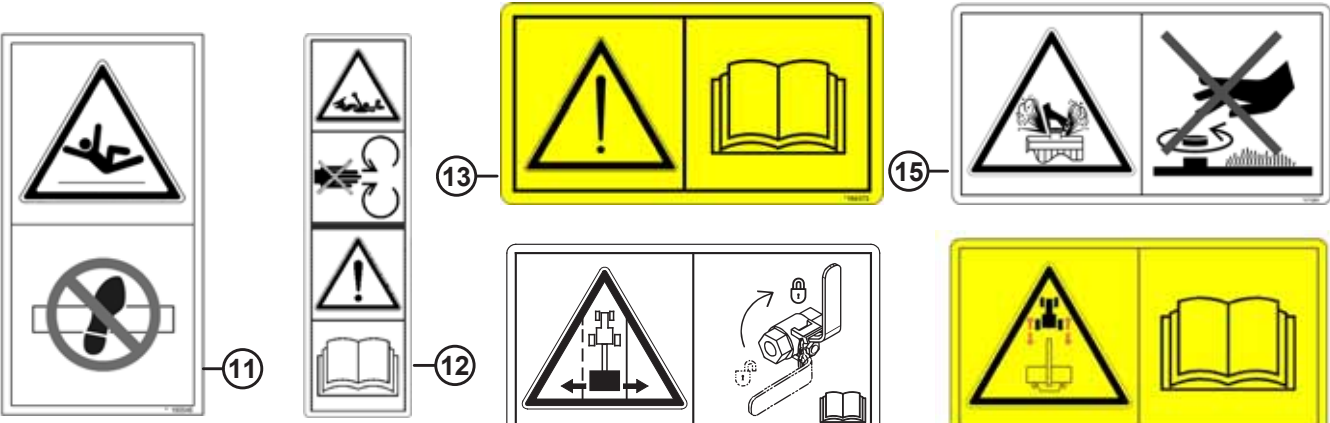
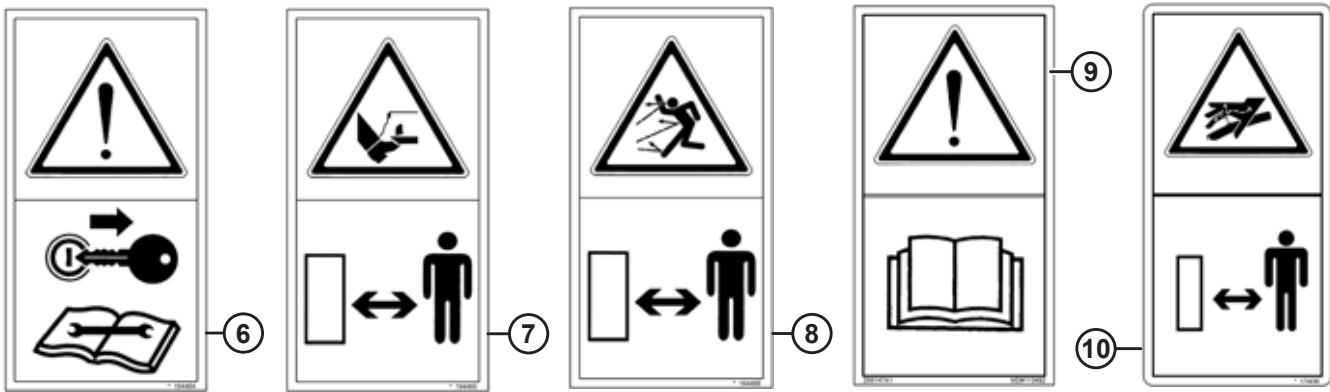
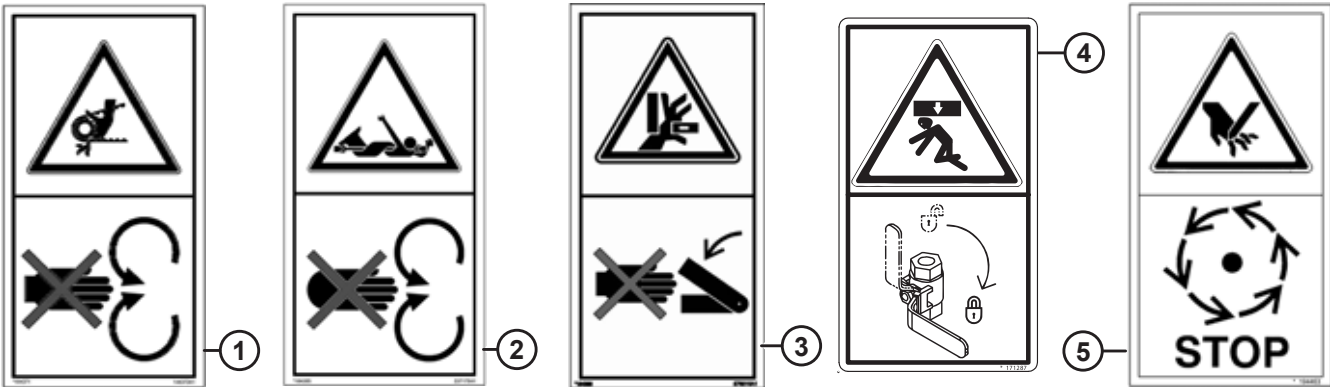
26 Decals – Product Identification



DECALS – PRODUCT IDENTIFICATION

Ref	Part Number	Description	Qty	Serial Number
1	198543	DECAL – RH, R85 END PANEL	1	
2	198542	DECAL – LH, R85 END PANEL (13 FT ONLY)	1	
3	150609	DECAL – MACDON, R85 TABLE (930 ±25 MM LG)	1	
4	142895	DECAL – MACDON LH HITCH (PULL-TYPE)	1	
5	142896	DECAL – MACDON RH HITCH (PULL-TYPE)	1	
6	150823	DECAL – APT (PULL-TYPE)	2	

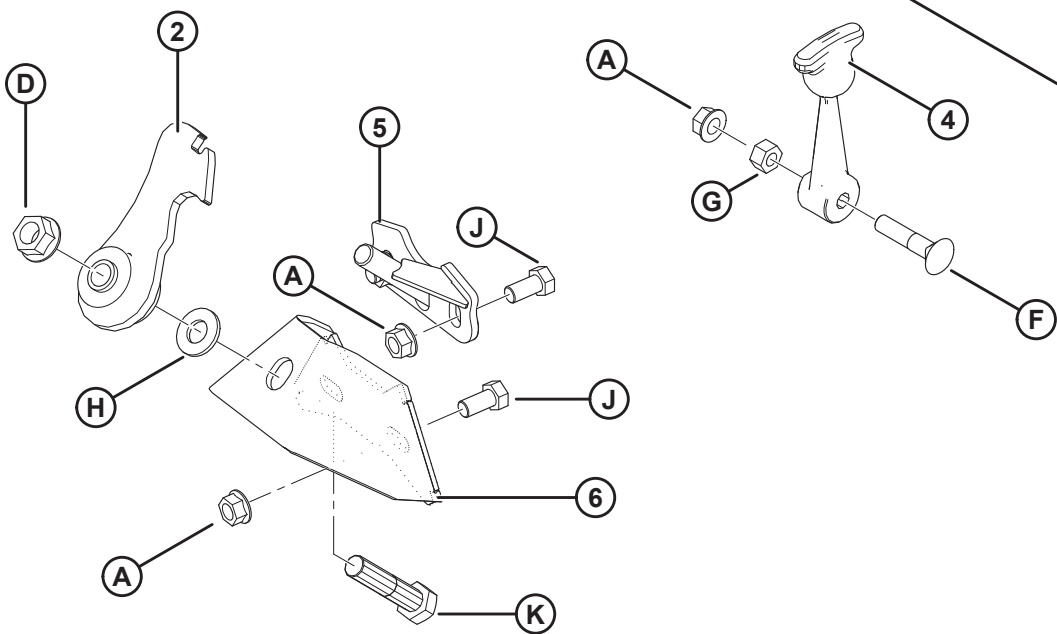
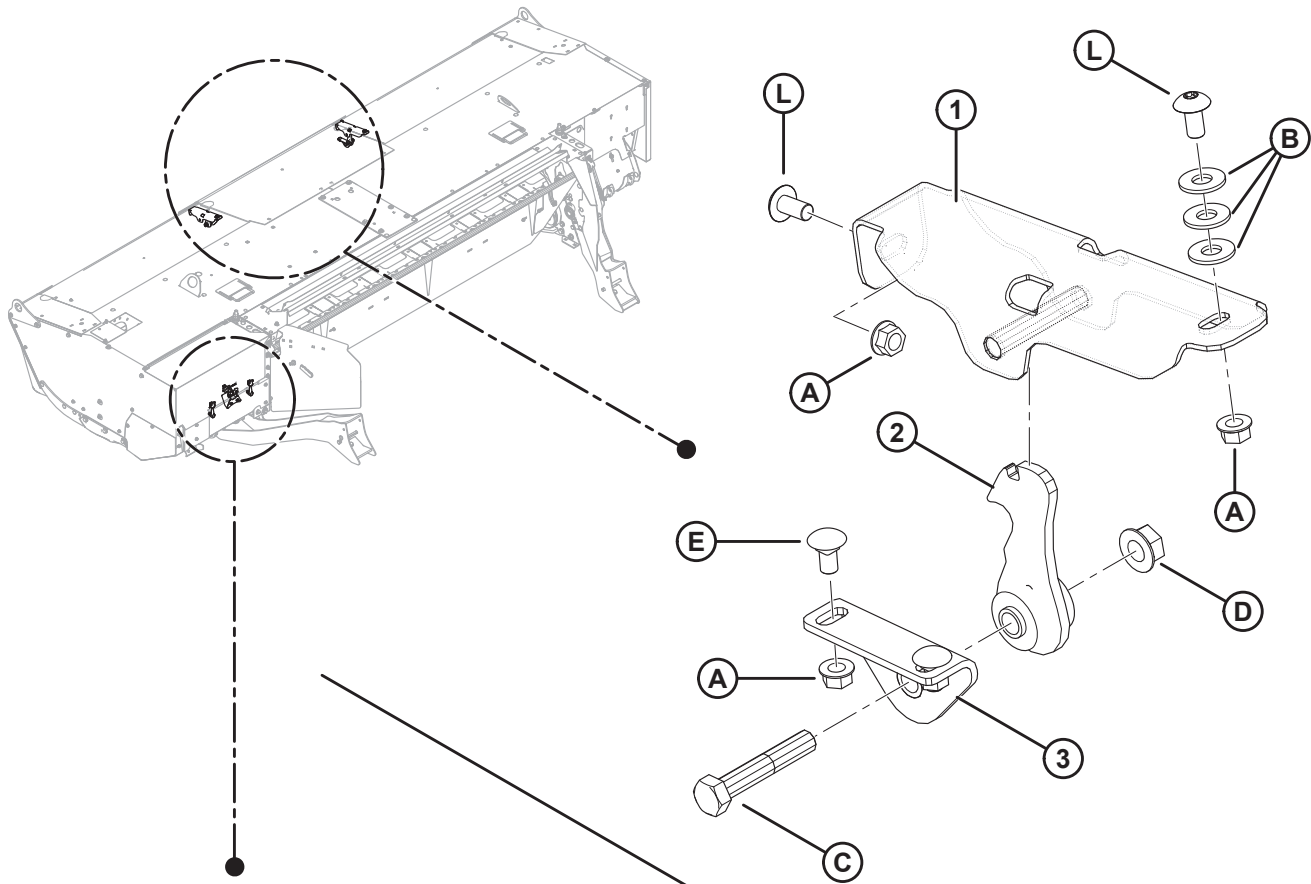
27 Decals – Two-Panel (Non-Text)



DECALS – TWO-PANEL (NON-TEXT)

Ref	Part Number	Description	Qty	Serial Number
1	184371	DECAL – CHAIN ENTANGLEMENT		
2	184385	DECAL – KEEP SHIELDS IN PLACE		
3	184386	DECAL – PINCH POINT		
4	171287	DECAL – INSTALL LOCK, 2 PANEL		
5	194463	DECAL – STOP DRIVE, 2 PANEL		
6	194464	DECAL – SHUT DOWN FOR SERVICE, 2 PANEL		
7	194465	DECAL – STAND CLEAR BLADES, 2 PANEL		
8	194466	DECAL – STAND CLEAR THROWN OBJECTS, 2 PANEL		
9	113482	DECAL – GENERAL HAZARD		
10	174436	DECAL – HIGH PRESSURE FLUID		
11	190546	DECAL – SLIPPERY SURFACE, 2 PANEL (SP ONLY)		
12	194521	DECAL – CE DRIVELINE		
13	184372	DECAL – READ MANUAL		
14	259058	DECAL – LOCK PT HYDRAULIC FOR TRANSPORT		
15	171281	DECAL – HOT FLUID UNDER PRESSURE		
16	171298	DECAL – PT TRANSPORT LOCK PIN		
17	247166	DECAL – MOVING IMPLEMENT		
18	166466	DECAL – HIGH PRESSURE FLUID		

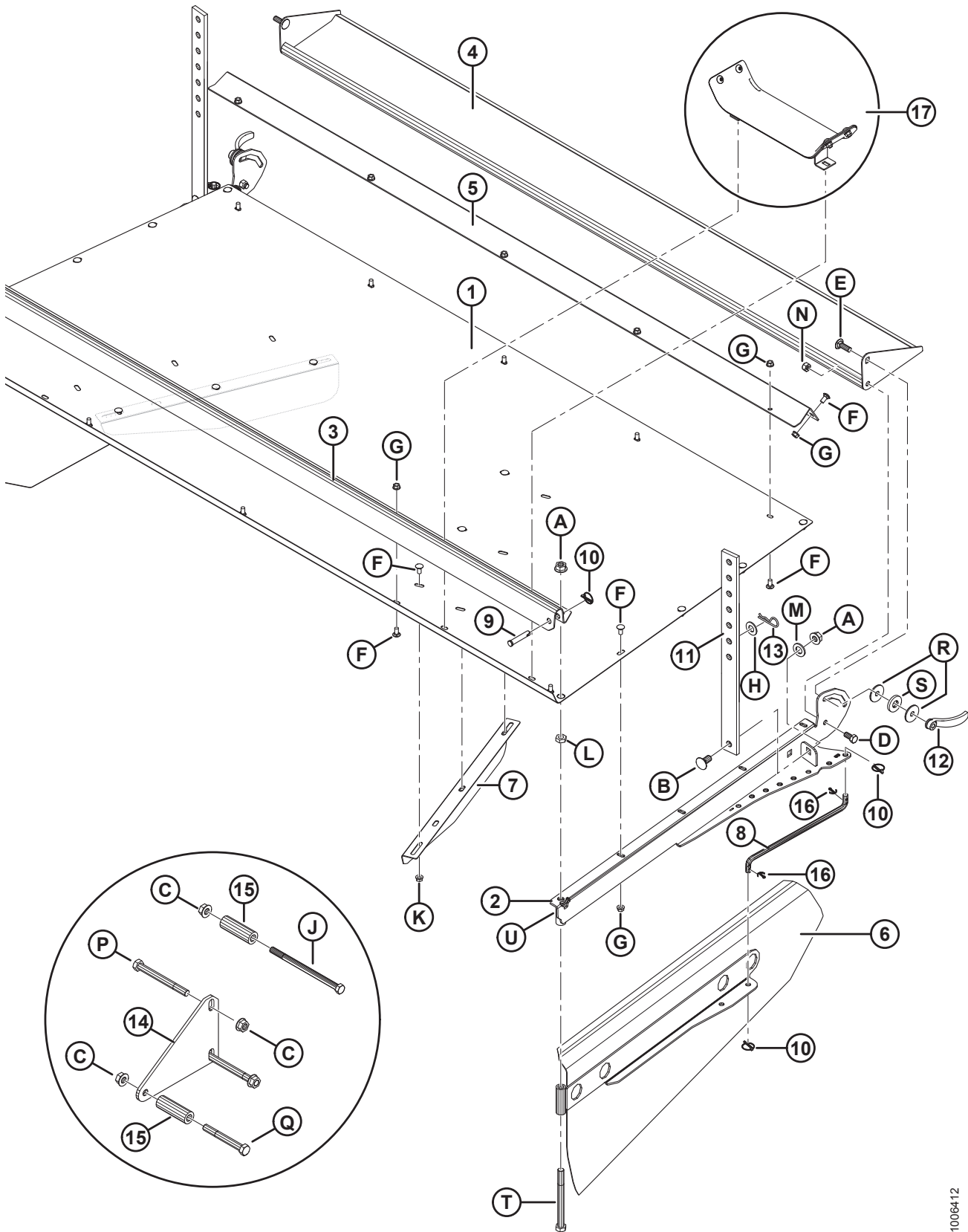
28 Latches



LATCHES

Ref	Part Number	Description	Qty	Serial Number
1	146481	BRACKET – FRONT COVER WELDT	2	
2	146485	LATCH – HOOK AND BUSHING	3	
	50040	BUSHING – RUBBER	2	
3	146430	BRACKET – FRONT COVER LATCH PIN WELDT	2	
4	38894	LATCH – RUBBER (NORTH AMERICA)	2	
5	236358	BRACKET – PIN PLATE	1	
6	236365	BRACKET – LATCHING SYSTEM (EXPORT)	1	
A	30228	NUT – FLANGE DT SMOOTH FACE 0.375-16 UNC		
B	18670	WASHER – SAE FLAT 7/16 I.D. X 1.0 IN. O.D. ZP		
C	21880	BOLT – HH 1/2 NC X 2.75 LG GR 5 ZP		
D	50186	NUT – FLANGE LOCK SM FACE DT 0.500-13 UNC GR 5		
E	21472	BOLT – RHSN 3/8 NC X 0.75 GR 5 ZP		
F	50197	BOLT – RHSN 3/8-16 X 1.75 GR 5 ZP		
G	18590	NUT – HEX 3/8 NC		
H	135369	WASHER – HARD ASTM F436 1/2-254-460HV-AB2C		
J	21567	BOLT – HH .375-16 UNC X 0.75 LG		
K	21578	BOLT – HH 1/2 NC X 2.25 LG GR 5 ZP		
L	135157	SCREW – MACHINE		

29 Self-Propelled Header Forming Shields – 2015 and Prior



SELF-PROPELLED HEADER FORMING SHIELDS – 2015 AND PRIOR

Ref	Part Number	Description	Qty	Serial Number
1	236902	COVER	1	-285419
2	236639	KIT – BRACKET WELD-TS ⁷³	1	-285419
3	325063	CHANNEL – FORMING SHIELD	1	-285419
4	149173	BAFFLE – REAR	1	-285419
5	325060	ANGLE – REAR	1	-285419
6	194197	DEFLECTOR – SIDE, LH	1	-285419
	194198	DEFLECTOR – SIDE, RH	1	-285419
7	325061	DEFLECTOR – INNER, LH	1	-285419
	325062	DEFLECTOR – INNER, RH	1	-285419
8	150018	ROD – ADJUSTER	2	-285419
9	19809	PIN – CLEVIS, 1/2 X 2 IN. EFFECTIVE LENGTH	2	-285419
10	50193	PIN – LYNCH	6	-285419
11	149743	STRAP – RUBBER ⁷⁴	2	-285419
12	149317	HANDLE – BAFFLE ADJUSTMENT	2	-285419
13	13125	PIN – HAIR	2	-285419
14	149167	PLATE	2	-285419
15	149168	SPACER	4	-285419
16	18648	PIN – COTTER 3/16 DIA X 1.25 ZP	6	-285419
17	REF	ASSEMBLY – HOSE SUPPORT (SP ONLY) ⁷⁵		

NOTE:

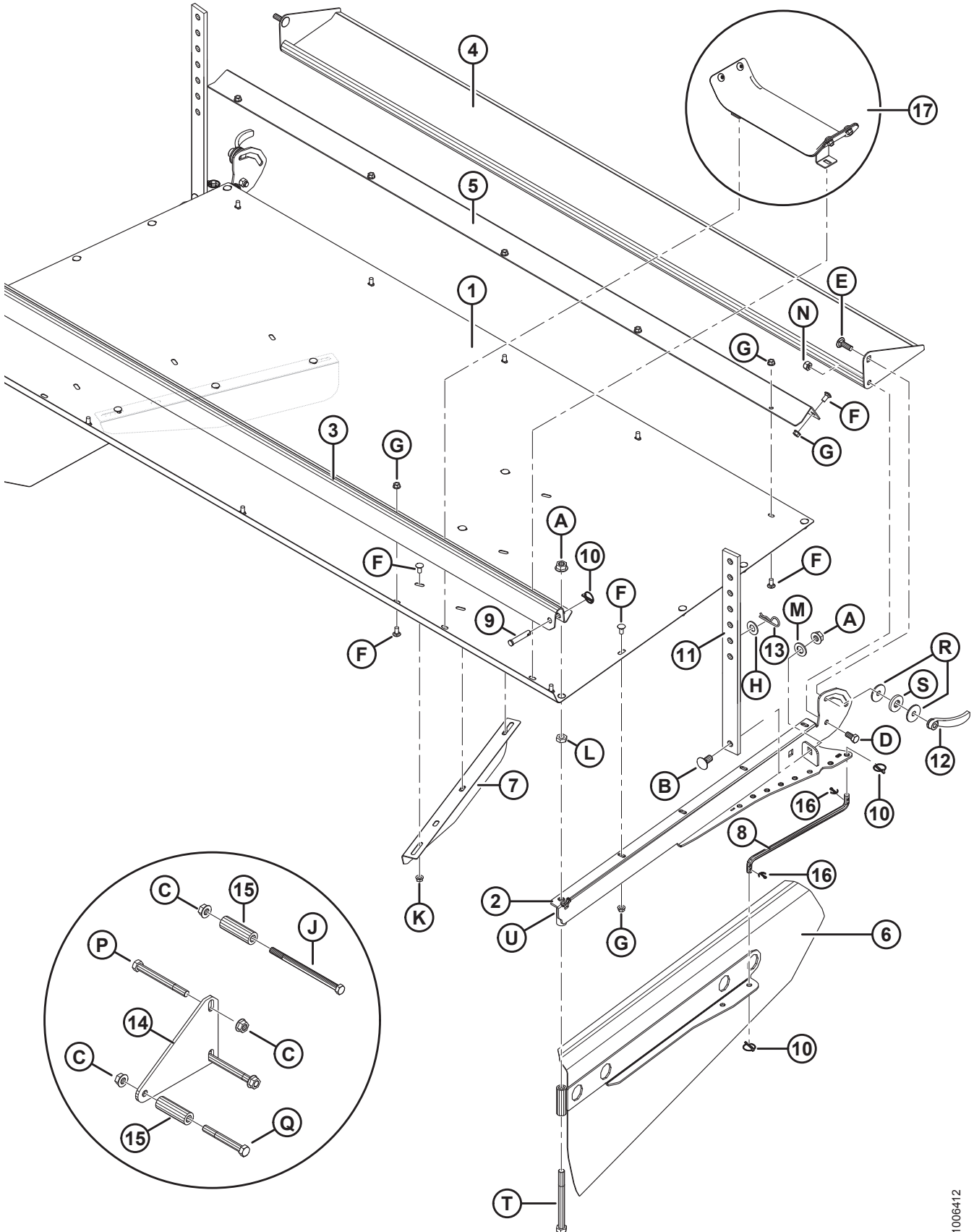
All parts listed are available as service parts only for model year 2015 and prior self-propelled header forming shields. For model year 2016 and later self-propelled header forming shields, refer to Section [30 Self-Propelled Header Forming Shields – 2016 and Later, page 89](#).

73. Sold only as a pair, includes LH and RH bracket weldt.

74. Attaches to pin on windrower leg.

75. For service parts, refer to Section [14 Hydraulics, page 35](#).

SELF-PROPELLED HEADER FORMING SHIELDS – 2015 AND PRIOR



1006412

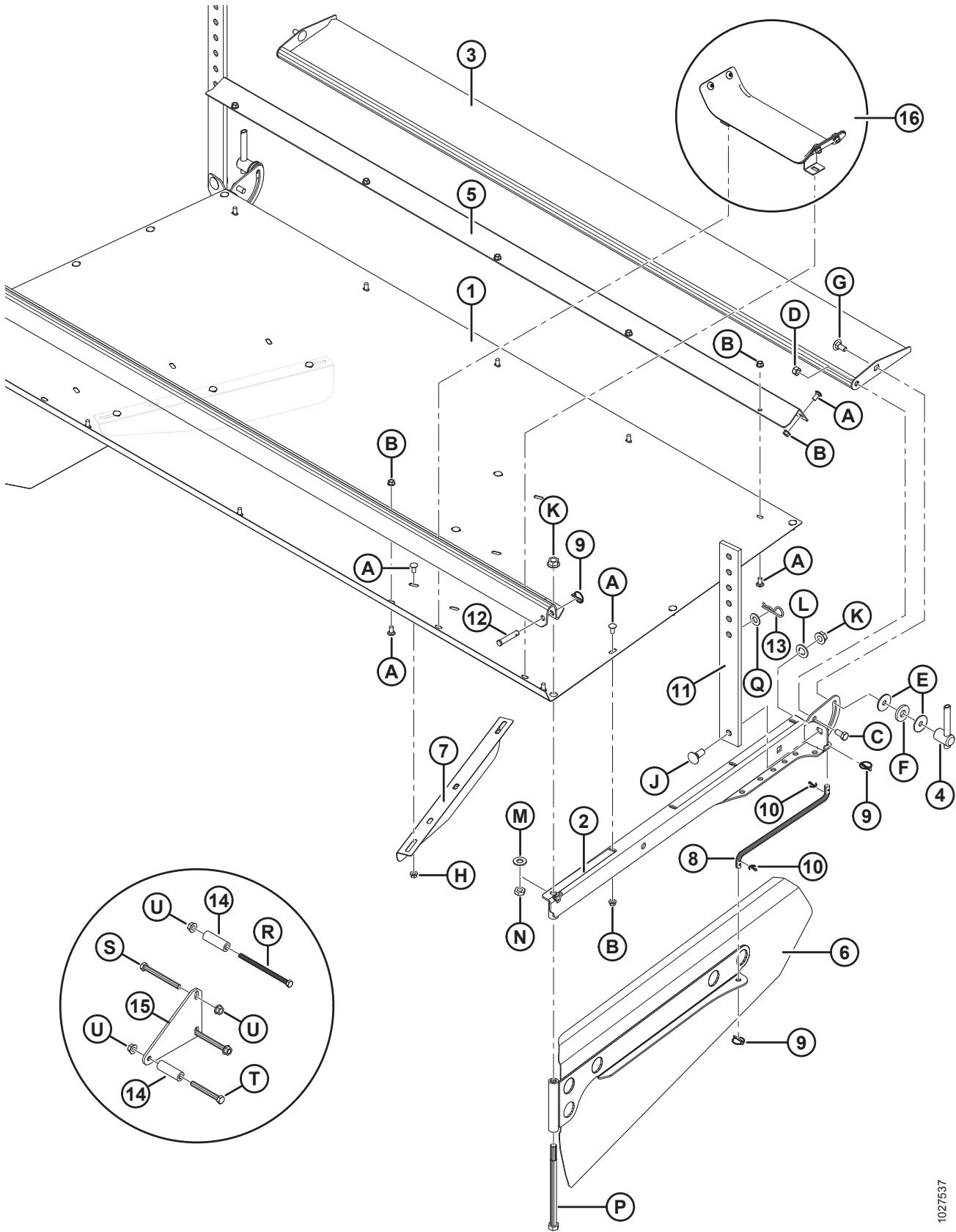
SELF-PROPELLED HEADER FORMING SHIELDS – 2015 AND PRIOR

Ref	Part Number	Description	Qty	Serial Number
A	50225	NUT – SMOOTH FLANGE, 5/8 NC, DISTORTED THREAD		
B	103562	BOLT – RHSN, 5/8 NC X 1-1/4 IN. GR 5		
C	50186	NUT – SMOOTH FLANGE, 1/2 NC, DISTORTED THREAD		
D	21575	BOLT – HEX HEAD, 1/2 NC X 1 IN., GR 5		
E	21469	BOLT – RHSN, 1/2 NC X 1-1/2 IN., GR 5		
F	21863	BOLT – RHSN, 3/8 NC X 3/4 IN., GR 5		
G	30228	NUT – SMOOTH FLANGE, 3/8 NC, DISTORTED THREAD		
H	18600	WASHER – FLAT, 21/32 IN. I.D.		
J	135976	BOLT – HEX HEAD, 1/2 NC X 8.0 IN., GR 5		
K	135954	NUT – FLANGE SPINNER GRIP 0.375-16 UNC		
L	21345	NUT – HEX JAM, 5/8 NC		
M	18601	WASHER – FLAT, 13/16 IN. I.D.		
N	18697	NUT – LOCK, 1/2 NC, DISTORTED THREAD		
P	136686	BOLT – HEX HD 1/2 NC X 5.25 GR 5 ZP		
Q	21589	BOLT – HH 1/2 X 4.0 LG GR 5 ZP		
R	42592	WASHER – FLAT, 13.5 MM I.D., 47 MM O.D., 3 MM THICK		
S	42045	WASHER – RUBBER		
T	193182	BOLT – HEX HEAD, 5/8 NC X 7 IN. GR 8		
U	30441	WASHER – FLAT HARDENED		

NOTE:

All parts listed are available as service parts only for model year 2015 and prior self-propelled header forming shields. For model year 2016 and later self-propelled header forming shields, refer to Section [30 Self-Propelled Header Forming Shields – 2016 and Later, page 89](#).

30 Self-Propelled Header Forming Shields – 2016 and Later



SELF-PROPELLED HEADER FORMING SHIELDS – 2016 AND LATER

Ref	Part Number	Description	Qty	Serial Number
	B6131	SP WINDROWER FORMING SHIELD ⁷⁶		285420–301189
	B6268	SP WINDROWER FORMING SHIELD ⁷⁷		301190–
1	236902	COVER	1	285420–
2	272252	KIT – BRACKET WELDTS ⁷⁸	1	285420–
3	272208	BAFFLE WELDT	1	285420–
4	247693	ASSEMBLY – HANDLE	2	285420–
5	325060	ANGLE	1	285420–
6	272205	DEFLECTOR – LH WELDT	1	285420–
	272206	DEFLECTOR – RH WELDT	1	285420–
7	325061	DEFLECTOR – LH	1	285420–
	325062	DEFLECTOR – RH	1	285420–
8	150018	ROD	2	285420–
9	50193	PIN – LYNCH	6	285420–
10	18648	PIN – COTTER 3/16 DIA X 1.25 ZP	4	285420–
11	272248	STRAP – RUBBER ⁷⁹	2	285420–
12	19809	PIN – CLEVIS	2	285420–
13	13125	PIN – HAIR	2	285420–
14	149168	SPACER	2	285420–
15	149167	PLATE	2	285420–
16	REF	ASSEMBLY – HOSE SUPPORT (SP ONLY) ⁸⁰		

76. For 2016 model year units. Includes all listed parts and hardware. Kits available through Whole Goods only.

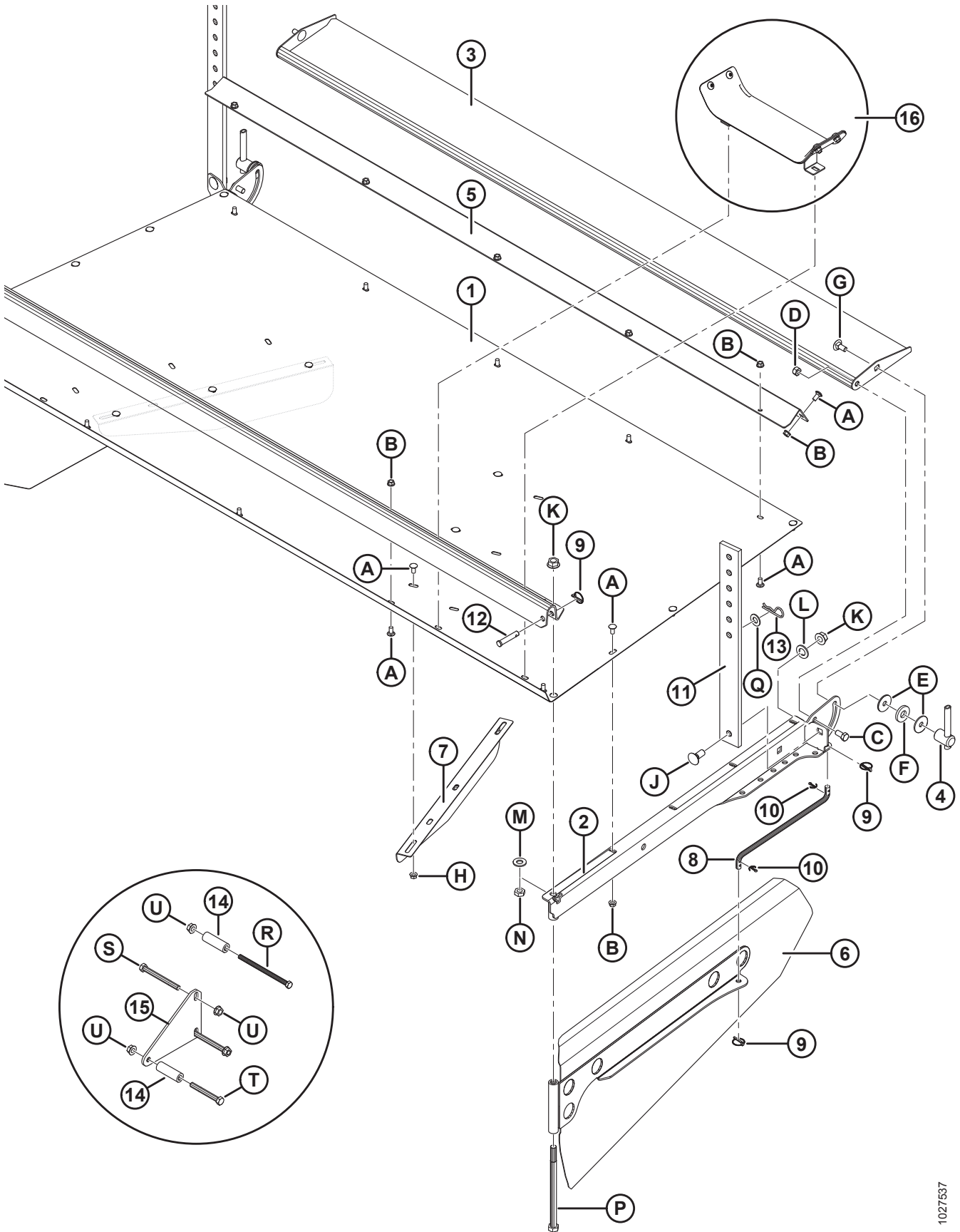
77. For 2017 and later model year units. Includes parts #1–15 and hardware. Kits available through Whole Goods only.

78. Kit includes left-hand and right-hand bracket weldments, which must be serviced as a pair.

79. Attaches to pin on windrower leg.

80. For service parts, refer to Section [14 Hydraulics, page 35](#).

SELF-PROPELLED HEADER FORMING SHIELDS – 2016 AND LATER

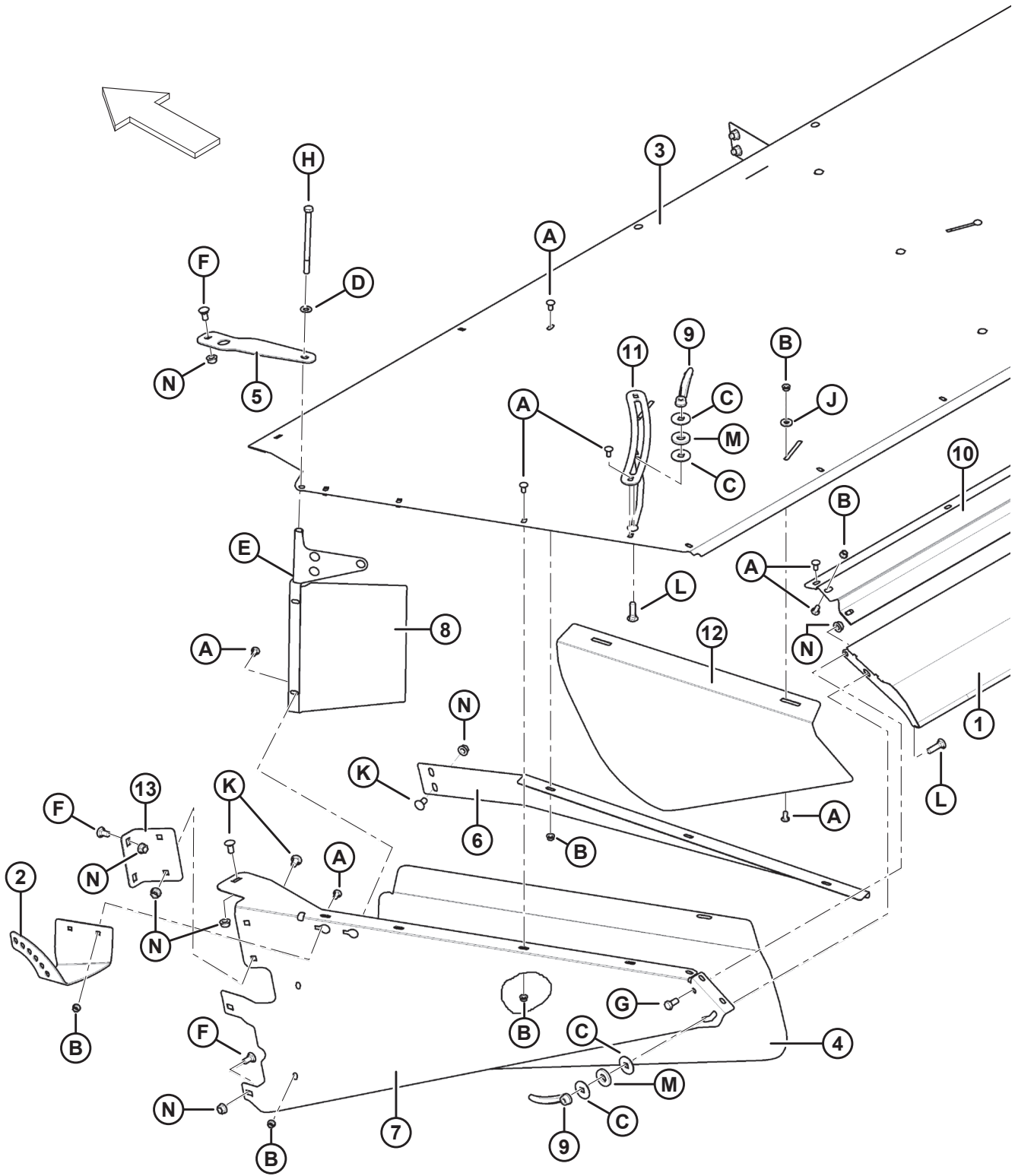


1027537

SELF-PROPELLED HEADER FORMING SHIELDS – 2016 AND LATER

Ref	Part Number	Description	Qty	Serial Number
A	21863	BOLT – RHSSN 3/8 NC X 0.75 LG GR 5 ZP		
B	30228	NUT – FLANGE DT SMOOTH FACE 0.375-16 UNC		
C	21575	BOLT – HH 1/2 NC X 1.0 LG GR 5 ZP		
D	18697	NUT – HEX LOCK DT .500-13 UNC		
E	42592	WASHER – FLAT		
F	42045	WASHER – RUBBER		
G	184667	BOLT – RHSN M12 X 1.75 X 30-8.8-A3L		
H	135954	NUT – FLANGE SPINNER GRIP 0.375-16 UNC		
J	18523	BOLT – RHSN 5/8-11 X 1.5 GR 5 ZP		
K	50225	NUT – FLANGE DT SMOOTH FACE .625-11 UNC		
L	18601	WASHER – SAE FLAT 13/16 I.D. X 1.5 IN. O.D. ZP		
M	30441	WASHER – HARDENED		
N	21345	NUT – HEX JAM 5/8-11 UNC GR 5 ZP		
P	172339	BOLT – HEX HD 5/8 NC X 10 LG GR 8 ZP		
Q	18600	WASHER – SAE FLAT 21/32 I.D. X 1-5/16 IN. O.D. ZP		
R	135976	BOLT – HH 1/2 NC X 8 LG GR 5 ZP		
S	136686	BOLT – HEX HD 1/2 NC X 5.25 GR 5 ZP		
T	21589	BOLT – HH 1/2 NC X 4.0 LG GR 5 ZP		
U	50186	NUT – FLANGE LOCK SM FACE DT 0.500-13 UNC GR 5		

31 Pull-Type Forming Shields

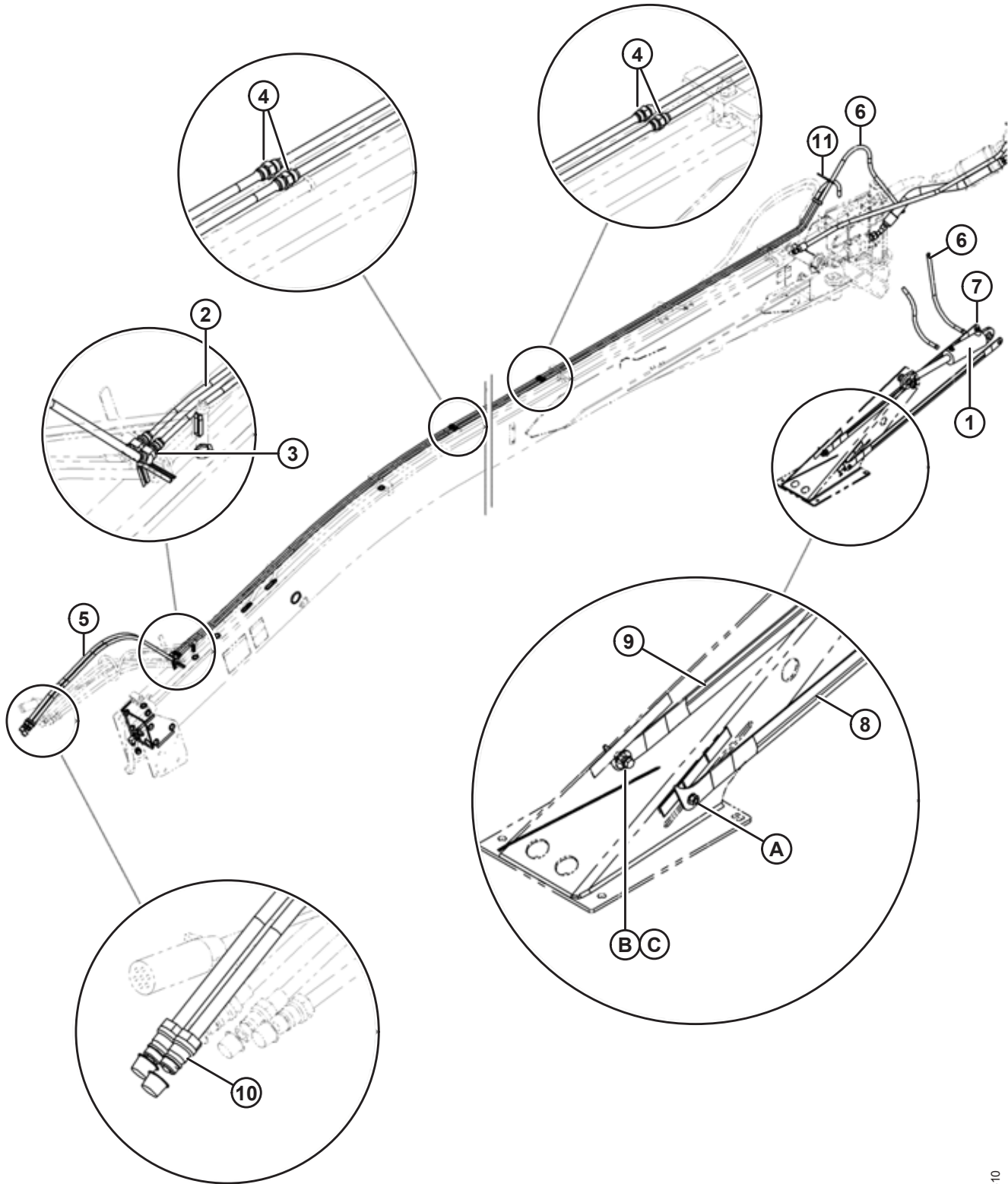


PULL-TYPE FORMING SHIELDS

Ref	Part Number	Description	Qty	Serial Number
1	194587	BAFFLE	1	
2	236781	BRACKET – SWATH BAFFLE	1	
3	198834	COVER – FORMING SHIELD	1	
4	198832	DEFLECTOR – LH WELDT	1	
	198833	DEFLECTOR – RH WELDT	1	
5	198827	ANGLE – LH	1	
	198828	ANGLE – RH	1	
6	198839	SUPPORT – LH	1	
	198840	SUPPORT – RH	1	
7	146457	DEFLECTOR – LH, C/W REFLECTOR ⁸¹	1	
	146458	DEFLECTOR – RH, C/W REFLECTOR ⁸¹	1	
8	148893	DEFLECTOR – LH	1	
	148900	DEFLECTOR – RH	1	
9	149317	HANDLE	2	
10	198719	DEFLECTOR	1	
11	198826	PLATE – TOP COVER	2	
12	146933	DEFLECTOR – LH	1	
	146946	DEFLECTOR – RH	1	
13	146429	BRACKET – FORMING SHIELD	2	
A	21863	BOLT – RHSSN 3/8 NC X 0.75 LG GR 5 ZP		
B	135954	NUT – FLANGE SPINNER GRIP 0.375-16 UNC		
C	150151	WASHER – FLAT		
D	18599	WASHER – SAE FLAT 17/32 I.D. X 1-1/16 IN. O.D. ZP		
E	18697	NUT – HEX LOCK DT .500-13 UNC		
F	21066	BOLT – RHSN 1/2 NC X 1 GR 5 ZP		
G	21575	BOLT – HH 1/2 NC X 1.0 LG GR 5 ZP		
H	50009	BOLT – HH 1/2 NC X 7.0 LG GR 5 ZP		
J	16652	WASHER – FLAT		
K	21868	BOLT – RHSSN 1/2 NC X 1.0 GR 5 ZP		
L	30515	BOLT – RHSN 1/2 NC X 1.75 LG GR 5 ZP		
M	42045	WASHER – RUBBER		
N	50186	NUT – FLANGE LOCK SM FACE DT 0.500-13 UNC GR 5		

81. Includes reflector (MD #115146).

32 Hydraulic Header Angle Kit

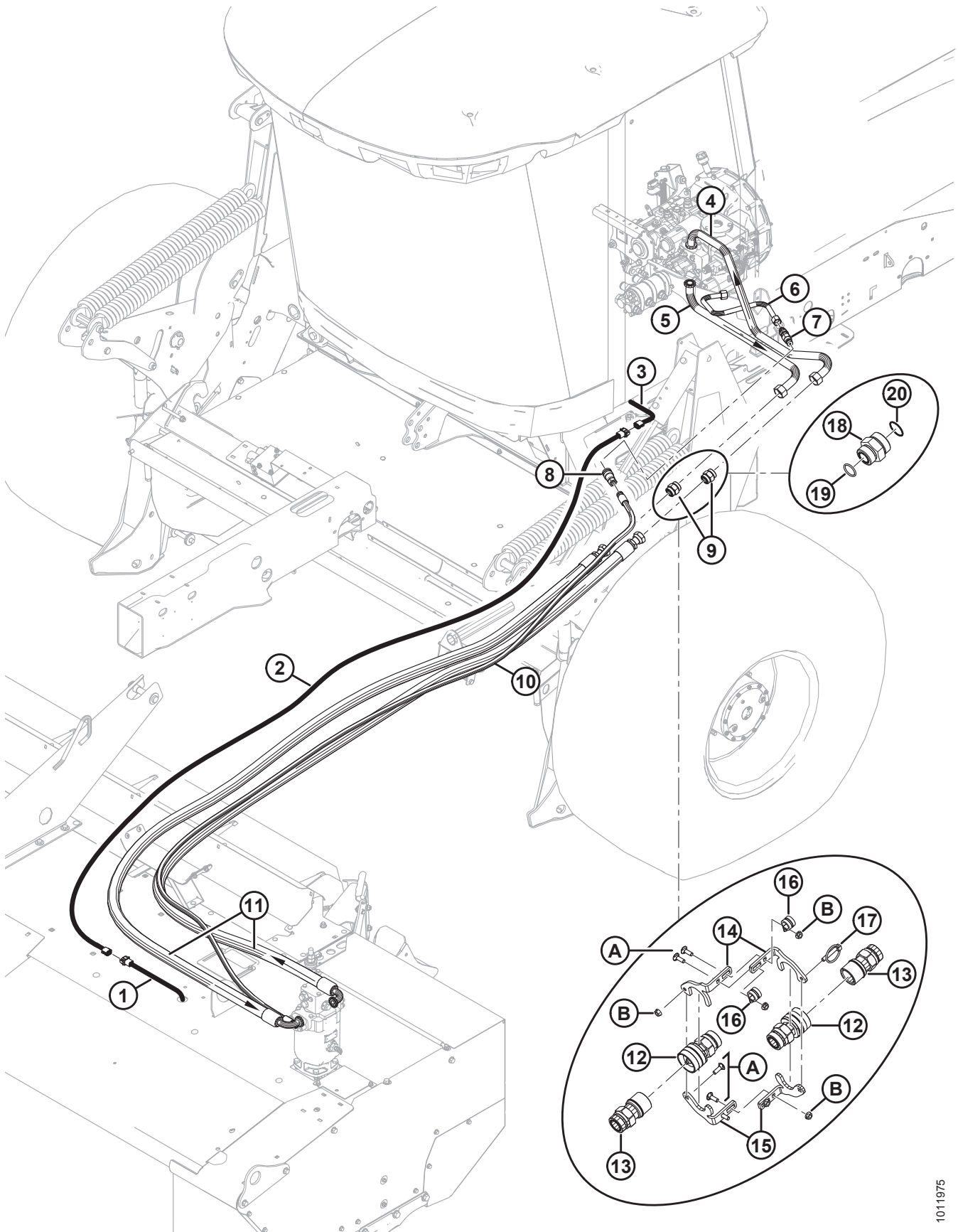


HYDRAULIC HEADER ANGLE KIT

Ref	Part Number	Description	Qty	Serial Number
	B5564	KIT – HYDRAULIC HEADER ANGLE, ROTARY PT ⁸²		
1	149767	CYLINDER – HYDRAULIC	1	
	150519	SEAL KIT	1	
2	150124	LINE – HYDRAULIC	6	
3	150256	FITTING – ELBOW, BULKHEAD UNION HYD	2	
4	30375	FITTING – UNION HYD	6	
5	148968	HOSE	2	
6	150101	HOSE	2	
7	15903	FITTING – CONNECTOR HYD	2	
8	146044	LINK – INDICATOR, LH	1	
9	146045	LINK – INDICATOR, RH	1	
10	135563	FITTING – COUPLING HYD	2	
11	21763	FASTENER – CABLE TIE (BLACK)	1	
A	30228	NUT – FLANGE DT SMOOTH FACE 0.375-16 UNC		
B	135001	BOLT – SHOULDER .375-16 UNC		
C	150819	WASHER – PLASTIC		

82. Kits available through Whole Goods only.

33 R85 to M205 – Connections



R85 TO M205 – CONNECTIONS

Ref	Part Number	Description	Qty	Serial Number
	B5497	KIT – HYDRAULIC COUPLER LOCK ⁸³		
1	198323	HARNESS – WIRING SP ROTARY DISC HEADER, 13 FT	1	
	134360	CONNECTOR – RECEPTACLE, DEUTSCH		
2	138709	HARNESS – M205, HEADER CONNECTION, DISC	1	
	134106	CONNECTOR – PLUG, DEUTSCH		
	134360	CONNECTOR – RECEPTACLE, DEUTSCH		
3	167865	HARNESS – CHASSIS, M SERIES ⁸⁴	1	321190–
	183859	KIT – HARNESS, CHASSIS, M155/M205 ⁸⁵	A/R	–321189
	134106	CONNECTOR – PLUG, DEUTSCH		
4	138762	LINE – HYDRAULIC, 1.25 IN.	1	
5	138764	LINE – HYDRAULIC, 1.25 IN.	1	
6	138766	LINE – HYDRAULIC, 3/4 IN.	1	
7	135236	COUPLING – MALE HYD 1/2 IN. FLAT FACE BULKHEAD	1	
8	135474	COUPLER – HYDRAULIC, 1/2 IN. FEMALE FF	1	
9	135708	FITTING – UNION SAE, 20 ORFS ⁸⁶	2	
10	138124	HOSE – HYD, 1/2 IN. I.D., 4650 MM LG, METAL REIN.	1	
11	138855	HOSE – HYD, 1-1/4 IN. I.D., 4400 MM LG, METAL REIN.	2	
12	138272	COUPLER – HYDRAULIC, 1 IN. MALE, 20 ORFS MALE ⁸⁷	2	
13	138273	COUPLER – HYDRAULIC, 1 IN. FEMALE, 20 ORFS MALE ⁸⁷	2	
14	139648	HOLDER – COUPLER	2	
15	139649	RETAINER – LOCK	2	

83. Includes one of each coupler (MD #138272, 138273), two coupler holders (MD #139648), two lock retainers (MD #139649), two clamps (MD #135709), lynch pin (MD #135192), coupler-wrench (MD #139302), plug (MD #139521), cap (MD #139522), five bolts (MD #21282), five nuts (MD #30280), fasteners, and instructions. Two kits required to complete the connection for two hoses and lines (R85 to M205). Kits available through Whole Goods only.

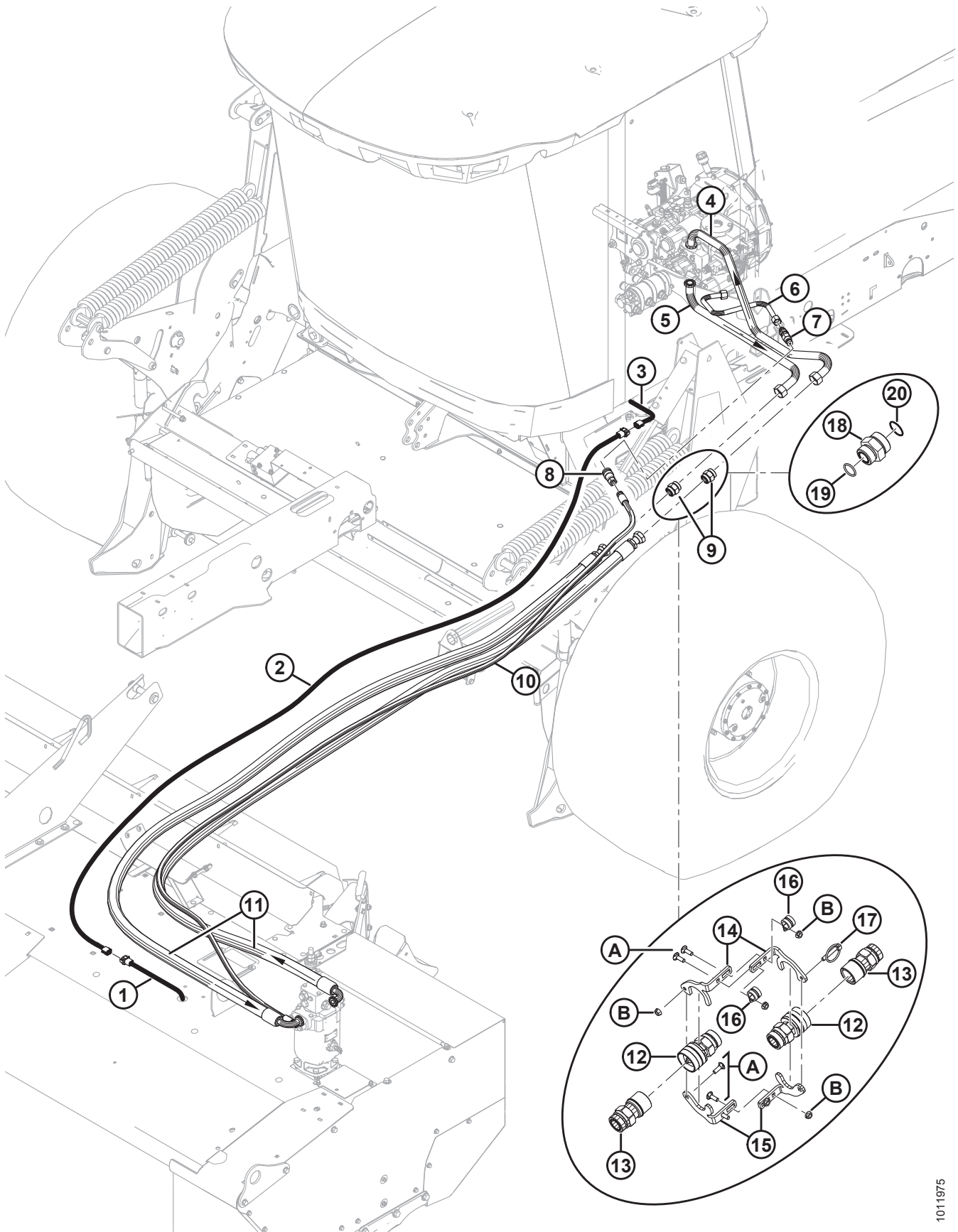
84. For 2018 and later model year units.

85. For 2017 and prior model year units.

86. Fitting (MD #135708) used only if connecting R85 to M205.

87. Coupler used if connecting multiple header types.

R85 TO M205 – CONNECTIONS



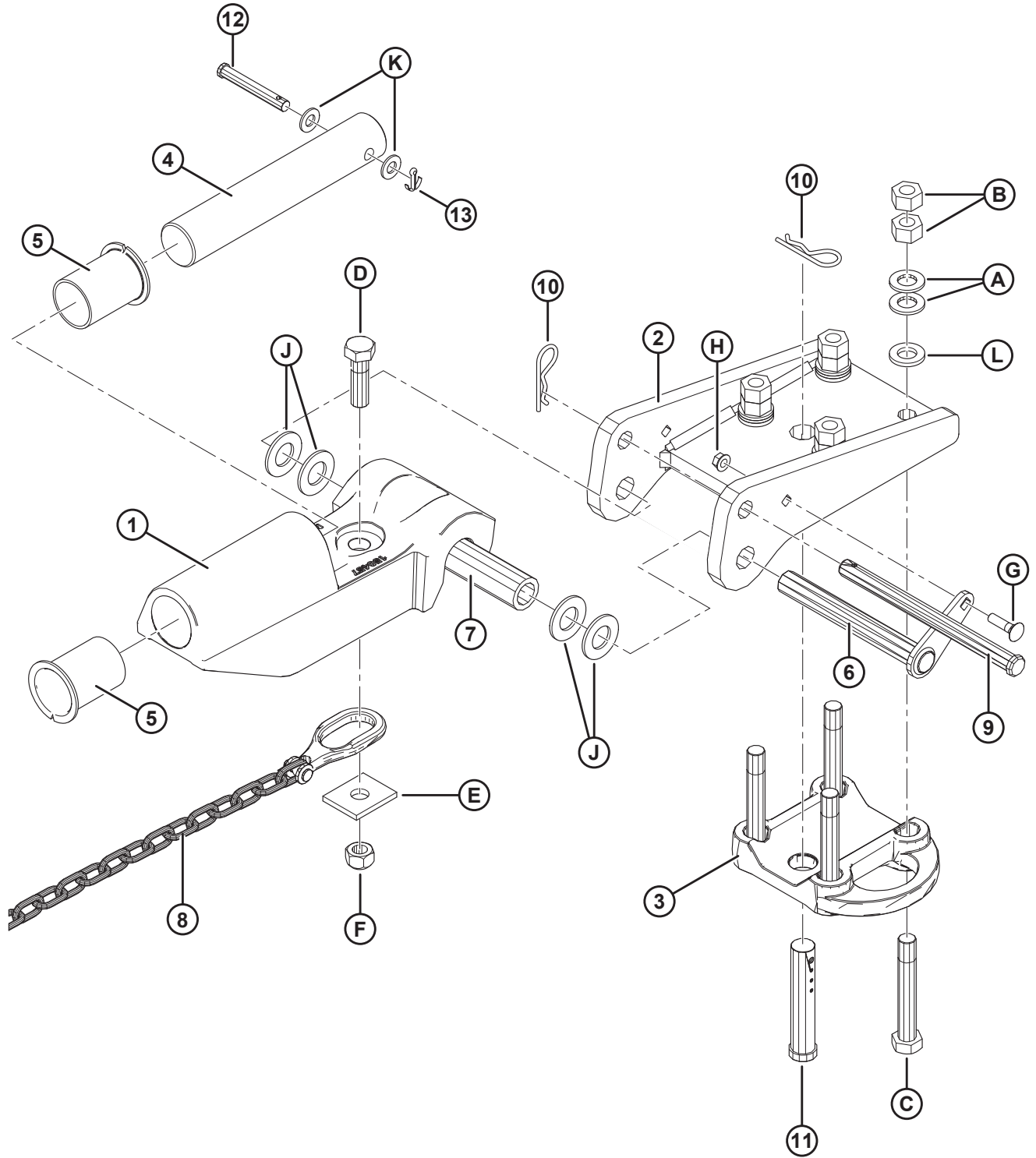
1011975

R85 TO M205 – CONNECTIONS

Ref	Part Number	Description	Qty	Serial Number
16	135709	CLAMP – INSULATED, 3/4 IN.	2	
17	135192	PIN – LYNCH, 5/16 IN.	1	
18	252232	FITTING – UNION SAE, 20 ORFS X 16 ORFS ⁸⁸	2	
19	135867	O-RING – #10 ORFS	1	
20	135869	O-RING – #20 ORFS	1	
A	21282	BOLT – RHSN 5/16-18 X 1 GR 5 ZP		
B	30280	NUT – FLG SIDE LK SMTH FACE 5/16 NC GR 5 ZP		

88. Fitting (MD #252232) used only if connecting a knife header to a draper-configured M205. Includes O-rings (MD #135867, 135869). For complete kit and instructions, order M205 Draper Drive Fittings kit (MD #166844).

34 (Option) Drawbar Hitch

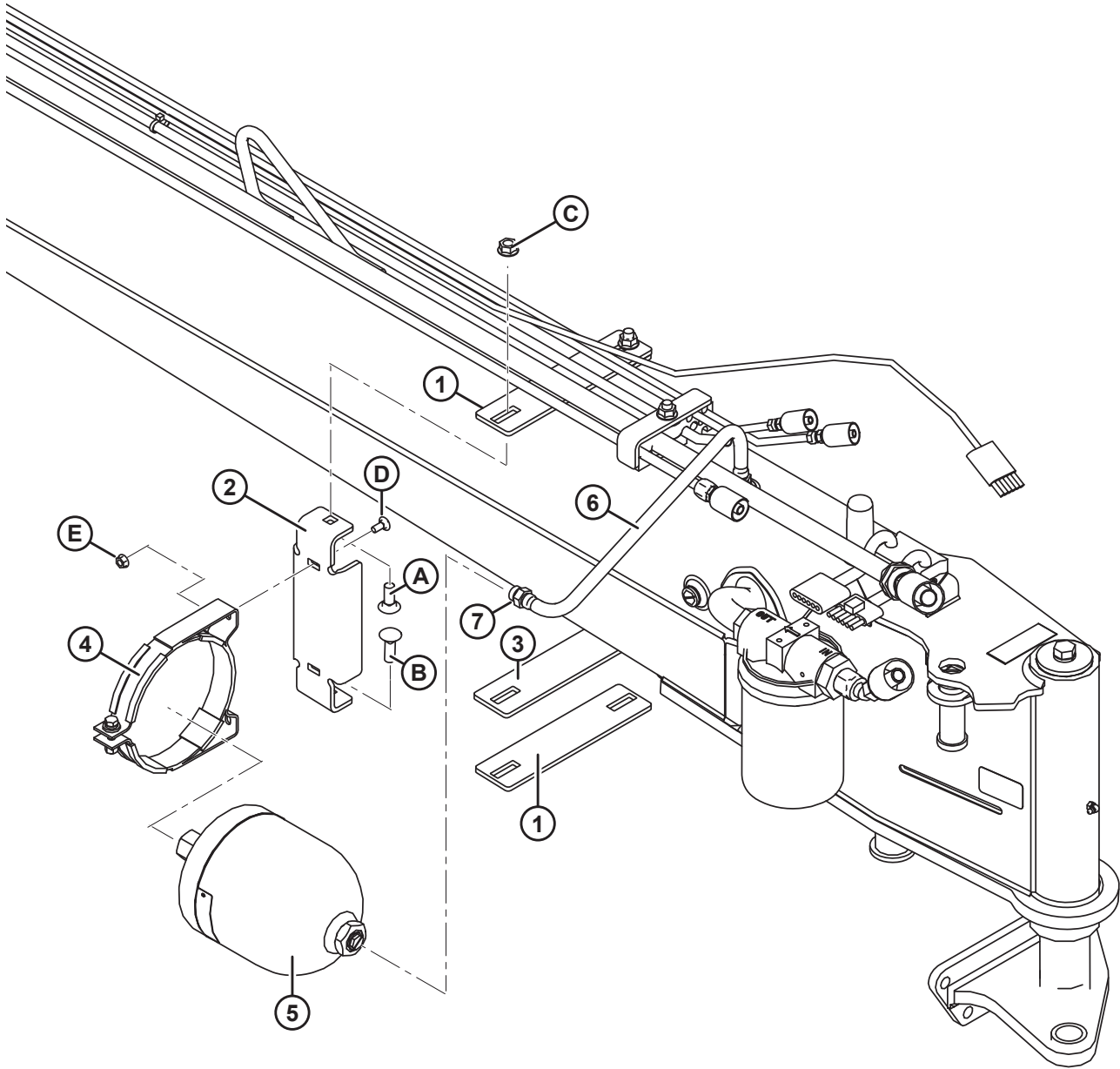


(OPTION) DRAWBAR HITCH

Ref	Part Number	Description	Qty	Serial Number
	B4886	KIT – DRAWBAR HITCH ⁸⁹		
1	150457	ARM – PT HITCH	1	
2	148388	PLATE – DRAWBAR HITCH ADAPTER WELDT	1	
3	149655	CLAMP – CASTING	1	
4	150217	PIN – ROCKSHAFT	1	
5	31453	TUBE – FLARED	2	
6	149802	PIN WELDMENT	1	
7	150082	BUSHING	1	
8	21404	CHAIN – 59 LINKS	1	
9	135334	PIN – CLEVIS	1	
10	13125	PIN – HAIR	2	
11	135593	PIN – CLEVIS	1	
12	101007	PIN – CLEVIS	1	
13	18648	PIN – COTTER 3/16 DIA X 1.25 ZP	1	
A	18601	WASHER – SAE FLAT 13/16 I.D. X 1.5 IN. O.D. ZP		
B	18593	NUT – HEX 3/4-10 UNC GR 5 ZP		
C	135415	BOLT – HH 3/4 NC X 5.0 LG GR 8 ZP		
D	19957	BOLT – HH 3/4 NC X 2.5 LG GR 5 ZP		
E	29467	WASHER – FLAT RECTANGULAR		
F	18689	NUT – HEX LOCK DT .750-10 UNC		
G	21484	BOLT – RHSN 3/8 NC X 1.5 LG GR 5 ZP		
H	30228	NUT – FLANGE DT SMOOTH FACE 0.375-16 UNC		
J	18603	WASHER – SAE FLAT 1-1/16 I.D. X 2.0 IN. O.D. ZP		
K	18599	WASHER – SAE FLAT 17/32 I.D. X 1-1/16 IN. O.D. ZP		
L	21540	WASHER – HARDENED		

89. Kits available through Whole Goods only.

35 (Option) Header Drive Performance Improvement Kit

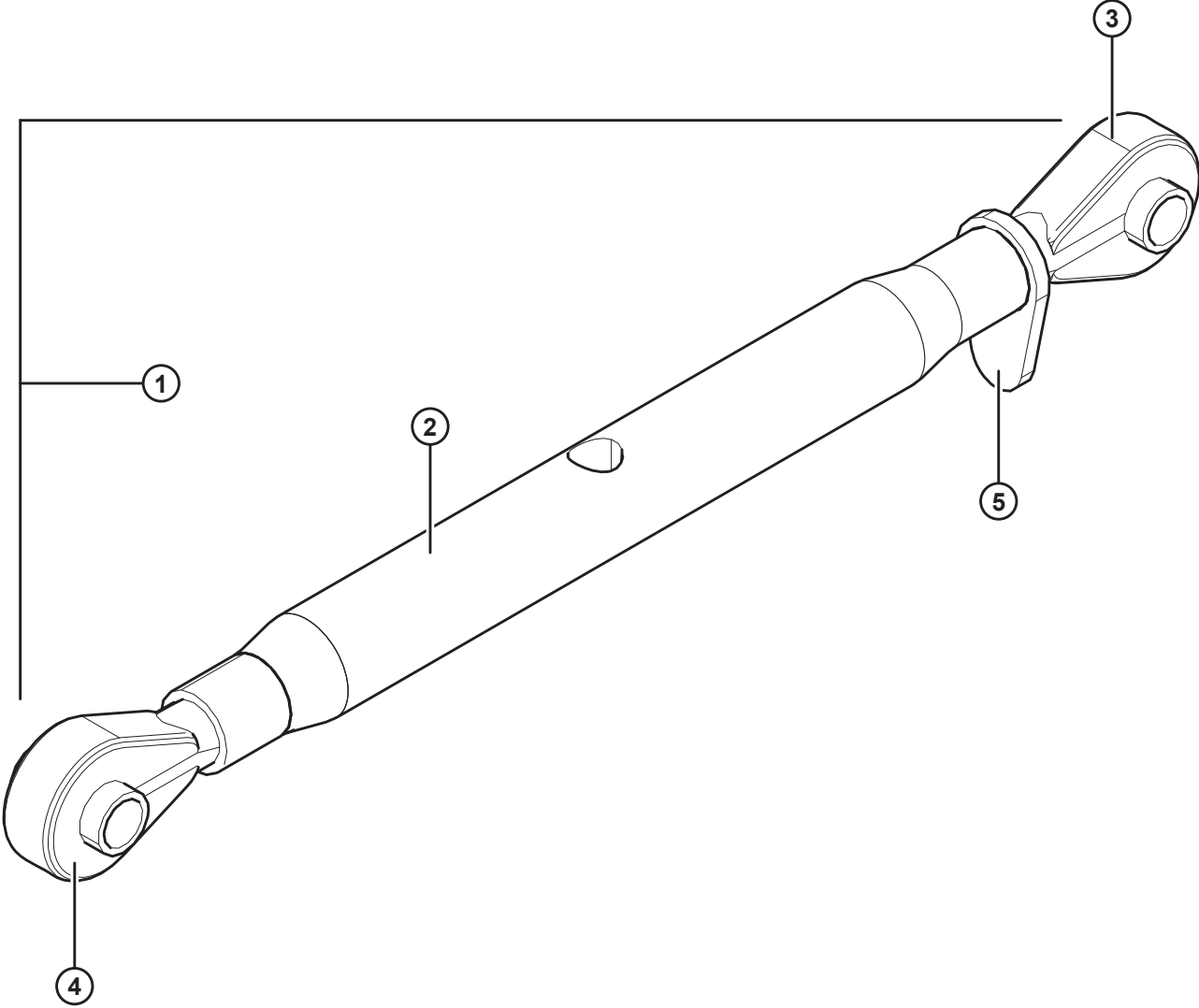


(OPTION) HEADER DRIVE PERFORMANCE IMPROVEMENT KIT

Ref	Part Number	Description	Qty	Serial Number
	B5662	KIT – HEADER DRIVE PERFORMANCE IMPROVEMENT ⁹⁰		
1	236267	PLATE	2	
2	236268	ANGLE – CLAMP MOUNT	2	
3	236465	SHIM – RUBBER	1	
4	236263	BRACKET – CLAMP ACCUMULATOR	1	
5	236264	ACCUMULATOR	1	
6	236282	HOSE – HYD ACCUMULATOR	1	
7	21030	FITTING – CONNECTOR HYD	2	
A	21471	BOLT – RHSN 1/2 NC X 1.25 GR 5 ZP		
B	21469	BOLT – RHSN 1/2 NC X 1.5 LG GR 5 ZP		
C	50186	NUT – FLANGE LOCK SM FACE DT 0.500-13 UNC GR 5		
D	21281	BOLT – RHSN 5/16 NC X 0.75 GR 5 ZP		
E	30280	NUT – FLG SIDE LK SMTH FACE 5/16 NC GR 5 ZP		

90. Kits available through Whole Goods only.

36 (Option) Mechanical Header Angle

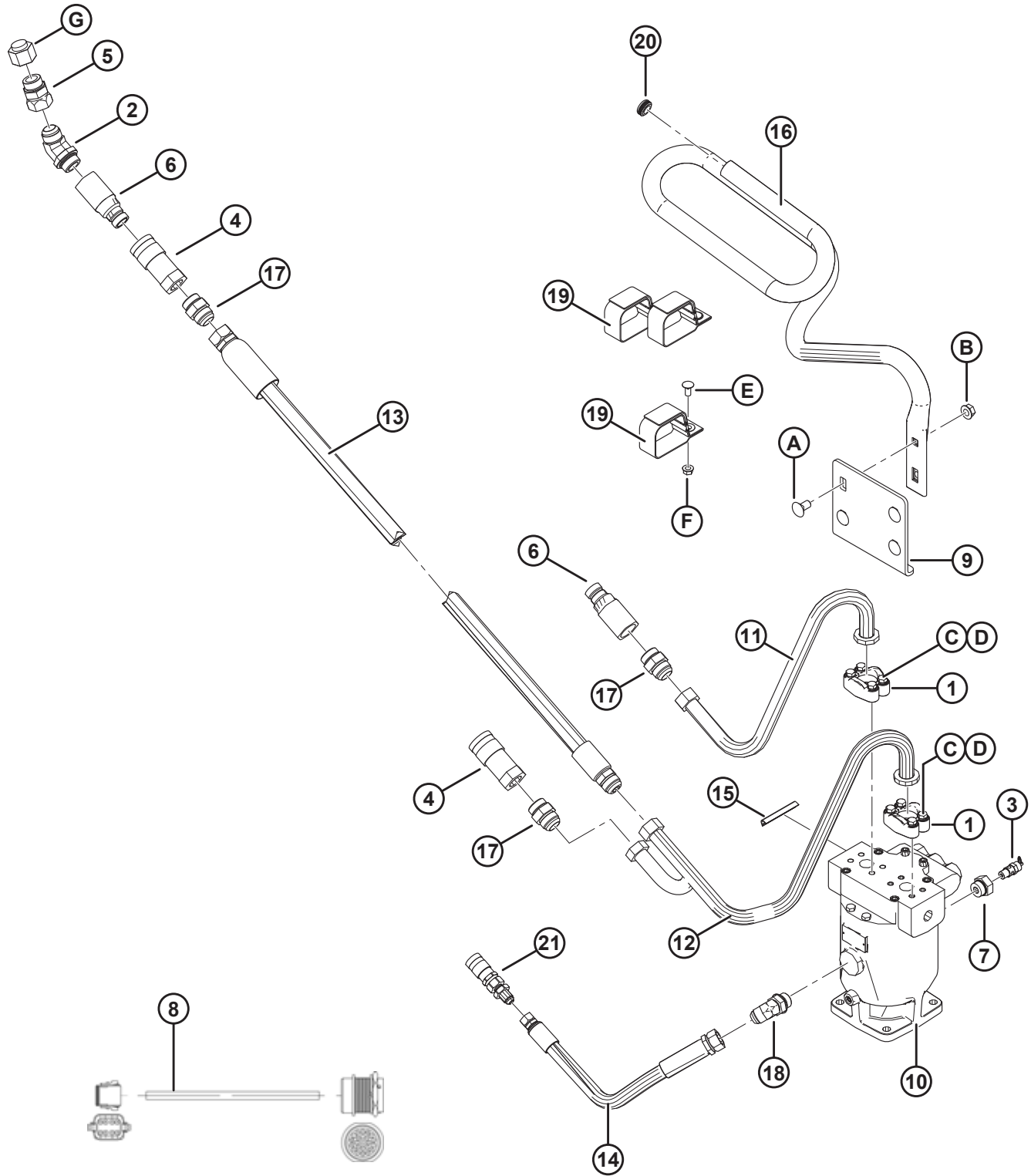


(OPTION) MECHANICAL HEADER ANGLE

Ref	Part Number	Description	Qty	Serial Number
	B4895	KIT – HEADER ANGLE, CENTER LINK ⁹¹		
1	42104	TOP LINK	1	
2	42434	TUBE – CENTER	1	
3	42432	JOINT – BALL RH THD	1	
4	42431	JOINT – BALL LH THD	1	
5	42433	COLLAR – LOCKING	1	

91. Kits available through Whole Goods only.

37 (Option) M150/M155 to R85 Hydraulic Drive



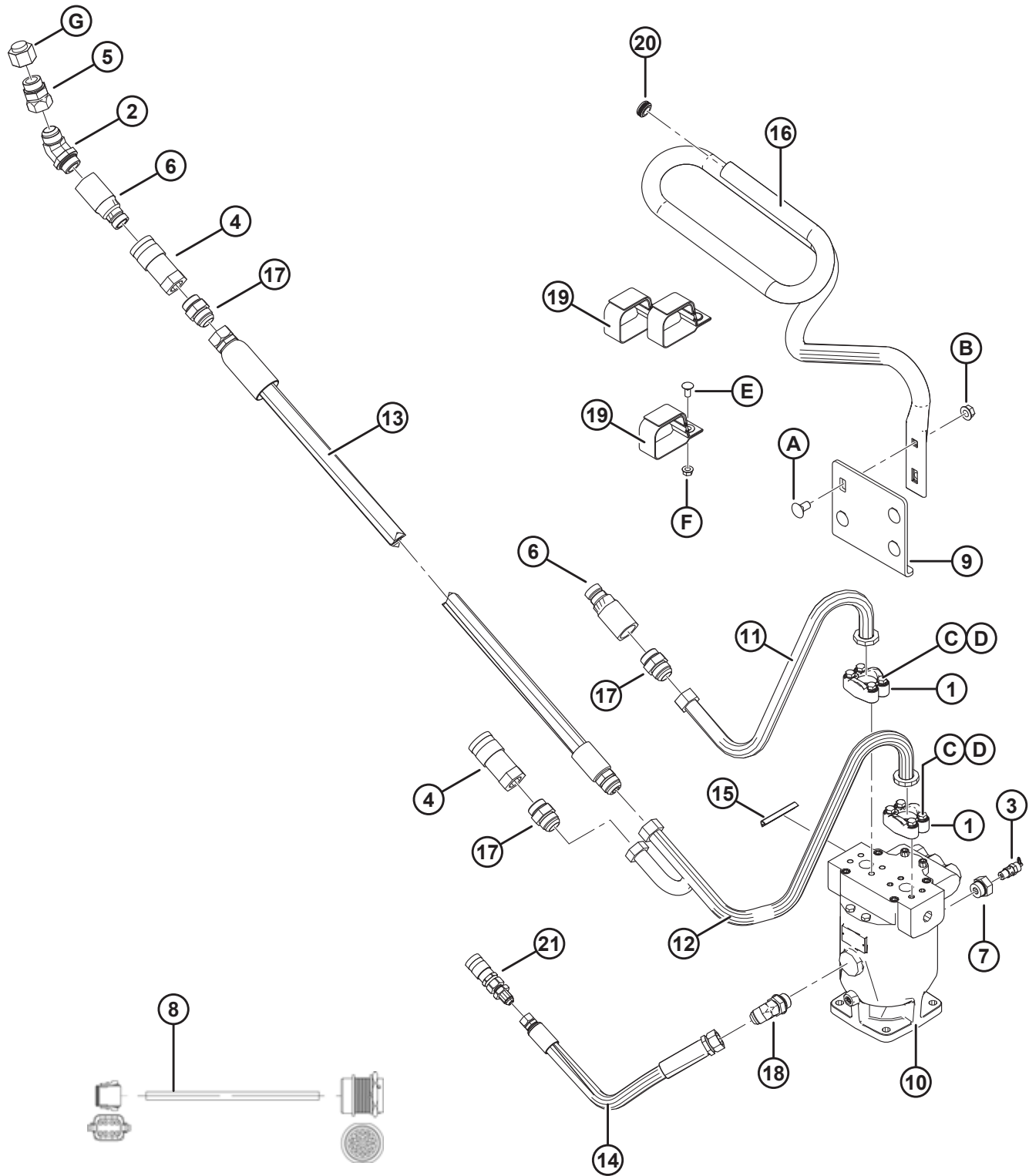
(OPTION) M150/M155 TO R85 HYDRAULIC DRIVE

Ref	Part Number	Description	Qty	Serial Number
	B5510	KIT – M150 / M155 TO R85 HYDRAULIC SP DRIVE ⁹²		
1	112866	FLANGE – SPLIT-1 IN., C/W HARDWARE ⁹³	2	
	194033	FLANGE – HALF		
	112868	O-RING		
2	112936	FITTING – ELBOW 45° HYD C/W O-RING	1	
3	120377	VALVE – RELIEF	1	
4	135313	COUPLER – FEMALE HYD 3/4 IN. FLAT FACE	3	
5	135316	FITTING – ADAPTER HYD C/W O-RING	1	
6	135544	COUPLER – MALE HYD 3/4 IN. FLAT FACE 1 IN. THREAD	2	
	135479	SEAL		
7	135560	FITTING – ADAPTER HYD C/W O-RING	1	
8	139071	HARNESS – R85 TO M200	1	
	134009	CONNECTOR – RECEP, DEUTSCH, 23 POSITION		
	134010	NUT – PANEL, DEUTSCH HD, SIZE 24		
	134011	WASHER – LOCK SPRING, DEUTSCH HD, SIZE 24		
	135365	CAP – WIRE HARNESS		
9	146664	SUPPORT – HOSE BRACKET	1	
10	150487	MOTOR – HYD	1	
	150879	SEAL		
11	150794	LINE – RETURN	1	
12	150795	LINE – HIGH PRESSURE	1	
13	150796	HOSE – 13 FT PRESSURE	1	
14	150797	HOSE – 13 FT SP ROTARY CASE DRAIN	1	
15	194082	MOULDING	1	
16	194365	GUIDE – HOSE SUPPORT	1	
17	21828	FITTING – ADAPTER HYD	3	
18	50098	FITTING – ELBOW 45° HYD C/W O-RING	1	
19	163585	STRAP – VELCRO, HANGING	3	
20	194389	PLUG – TUBE FINISHING	1	
21	135213	COUPLING – FEMALE HYD 3/8 FLAT FACE BULKHEAD	1	

92. Kits available through Whole Goods only.

93. Includes two flanges (MD #194033), O-ring (MD #112868), four bolts (MD #21264), and four washers (MD #18637).

(OPTION) M150/M155 TO R85 HYDRAULIC DRIVE

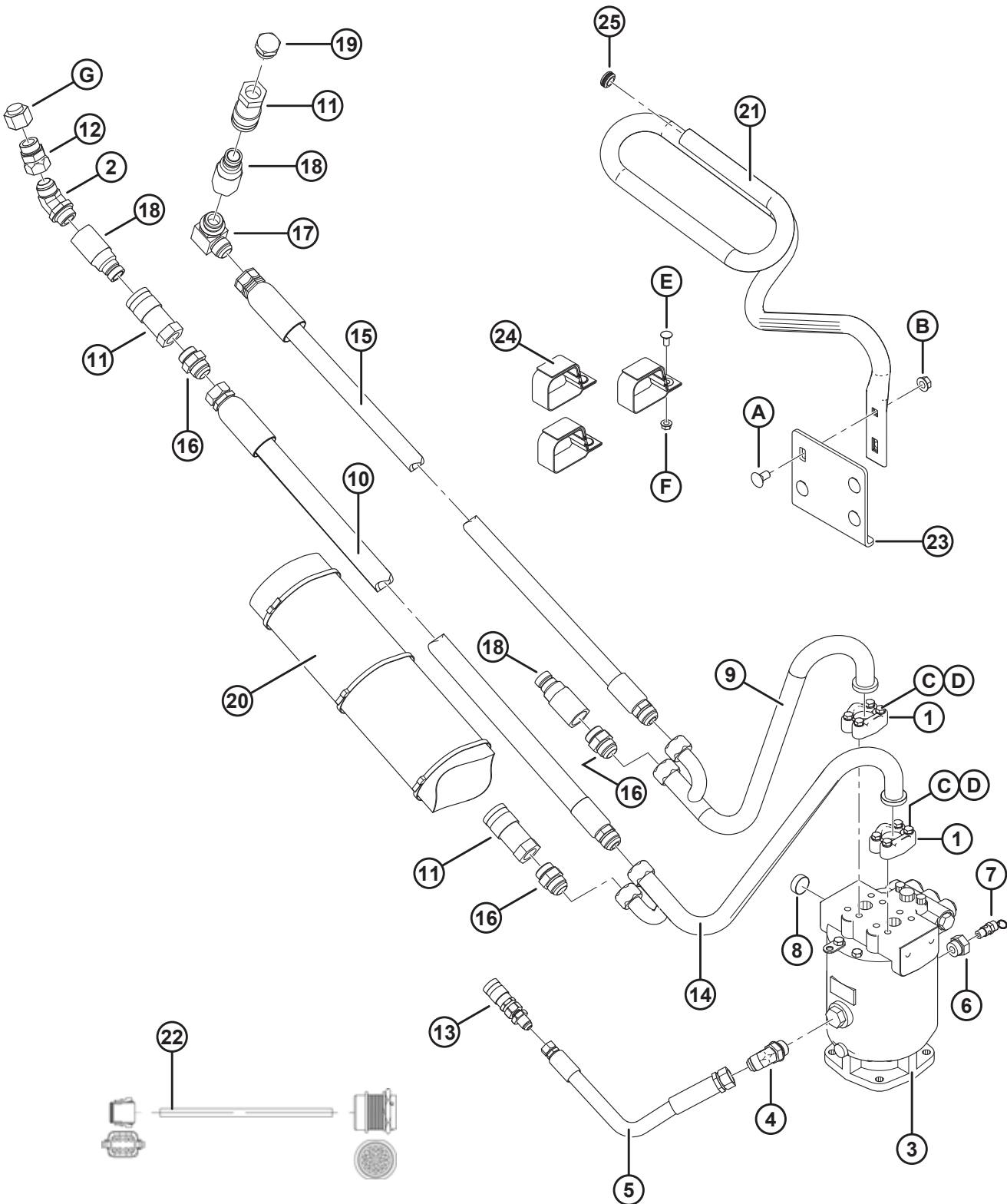


1006696

(OPTION) M150/M155 TO R85 HYDRAULIC DRIVE

Ref	Part Number	Description	Qty	Serial Number
A	21066	BOLT – RHSN 1/2 NC X 1 GR 5 ZP		
B	50186	NUT – FLANGE LOCK SM FACE DT 0.500-13 UNC GR 5		
C	21264	BOLT – HH 3/8 NC X 1.25 LG GR 5 ZP		
D	18637	WASHER – LOCK		
E	21863	BOLT – RHSSN 3/8 NC X 0.75 LG 5 ZP		
F	30228	NUT – FLANGE DT SMOOTH FACE 0.375-16 UNC		
G	30905	NUT – CAP-1 IN. TUBE		

38 (Option) M200 to R85 Hydraulic Drive



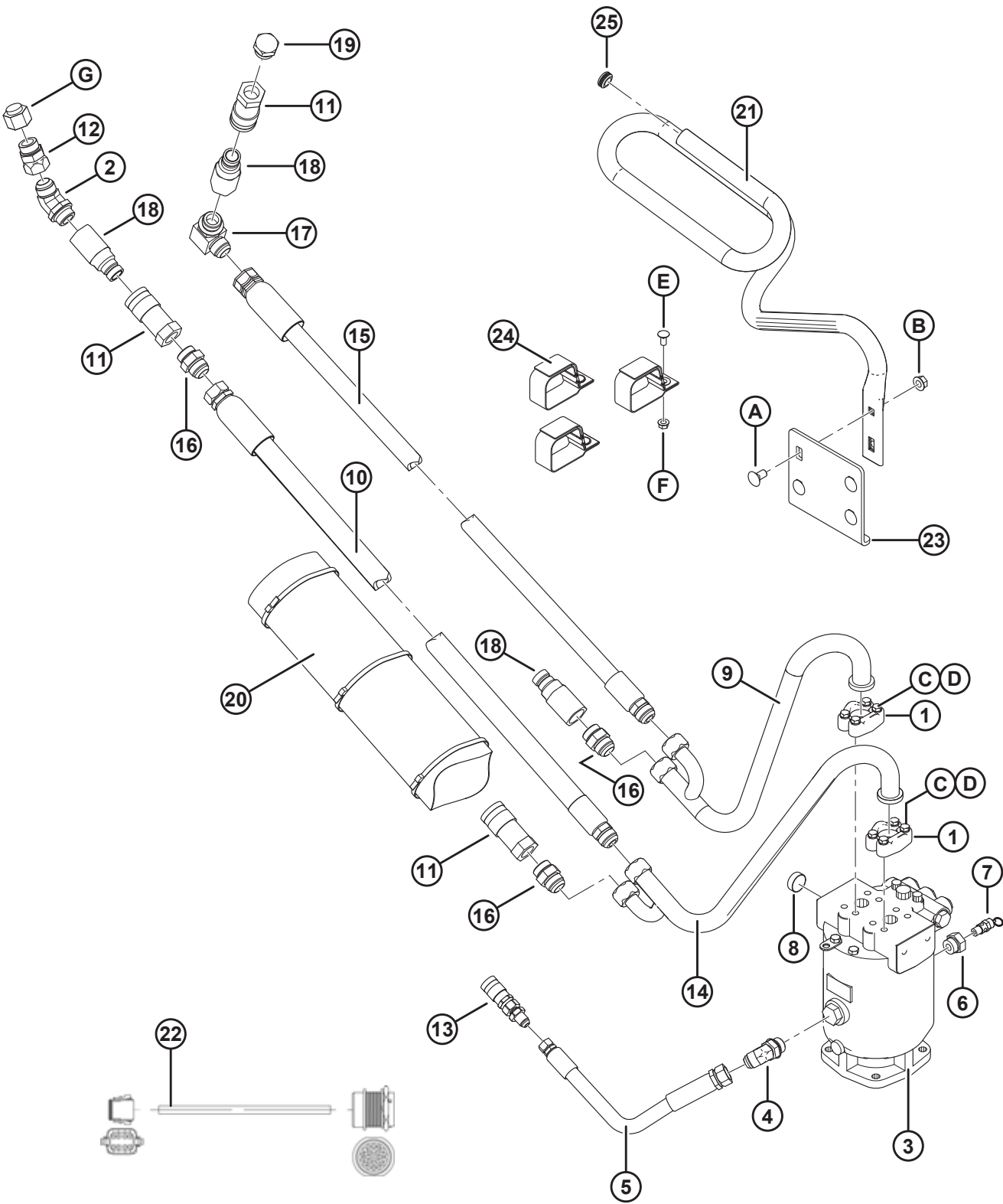
(OPTION) M200 TO R85 HYDRAULIC DRIVE

Ref	Part Number	Description	Qty	Serial Number
	B5511	KIT – M200 TO R85 HYDRAULIC SP DRIVE ⁹⁴		
1	112866	FLANGE – SPLIT-1 IN. C/W HARDWARE ⁹⁵	2	
	194033	FLANGE – HALF		
	112868	O-RING		
2	112936	FITTING – ELBOW 45° HYD C/W O-RING	1	
3	149318	MOTOR – HYD	1	
	150879	SEAL		
4	50098	FITTING – ELBOW 45° HYD C/W O-RING	1	
5	150797	HOSE – 13 FT SP ROTARY CASE DRAIN	1	
6	135560	FITTING – ADAPTER HYD C/W O-RING	1	
7	120377	VALVE – RELIEF	1	
8	135614	CAP	1	
9	150941	LINE – HIGH PRESSURE (M200 TO 13 FT ROTARY)	1	
10	149553	HOSE – 16 FT 40 GPM	1	
11	135313	COUPLER – FEMALE HYD 3/4 IN. FLAT FACE	4	
12	135316	FITTING – ADAPTER HYD C/W O-RING	1	
13	135213	COUPLING – FEMALE HYD 3/8 FLAT FACE BULKHEAD	1	
14	150942	LINE – RETURN (M200 TO 13 FT ROTARY)	1	
15	149554	HOSE – SECONDARY RETURN	1	
16	21828	FITTING – ADAPTER HYD	3	
17	21827	FITTING – ELBOW HYD	1	
18	135544	COUPLER – MALE HYD 3/4 IN. FLAT FACE 1 IN. THREAD	3	
	135479	SEAL		
19	156051	PLUG #16 ORB	1	
20	150311	SLEEVE	1	
21	194365	GUIDE – HOSE SUPPORT	1	
22	139071	HARNESS – R85 TO M200	1	
	134009	CONNECTOR – RECEIPT, DEUTSCH, 23 POSITION		
	134010	NUT – PANEL, DEUTSCH HD, SIZE 24		
	134011	WASHER – LOCK SPRING, DEUTSCH HD, SIZE 24		
	135365	CAP – WIRE HARNESS		

94. Kits available through Whole Goods only.

95. Includes two flanges (MD #194033), O-ring (MD #112868), four bolts (MD #21264), and four washers (MD #18637).

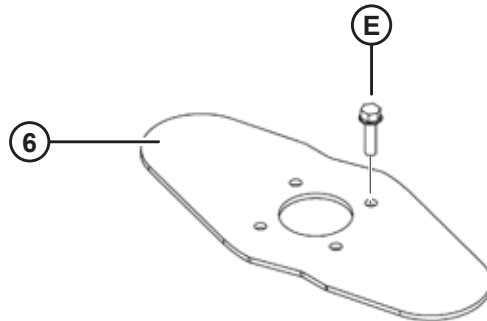
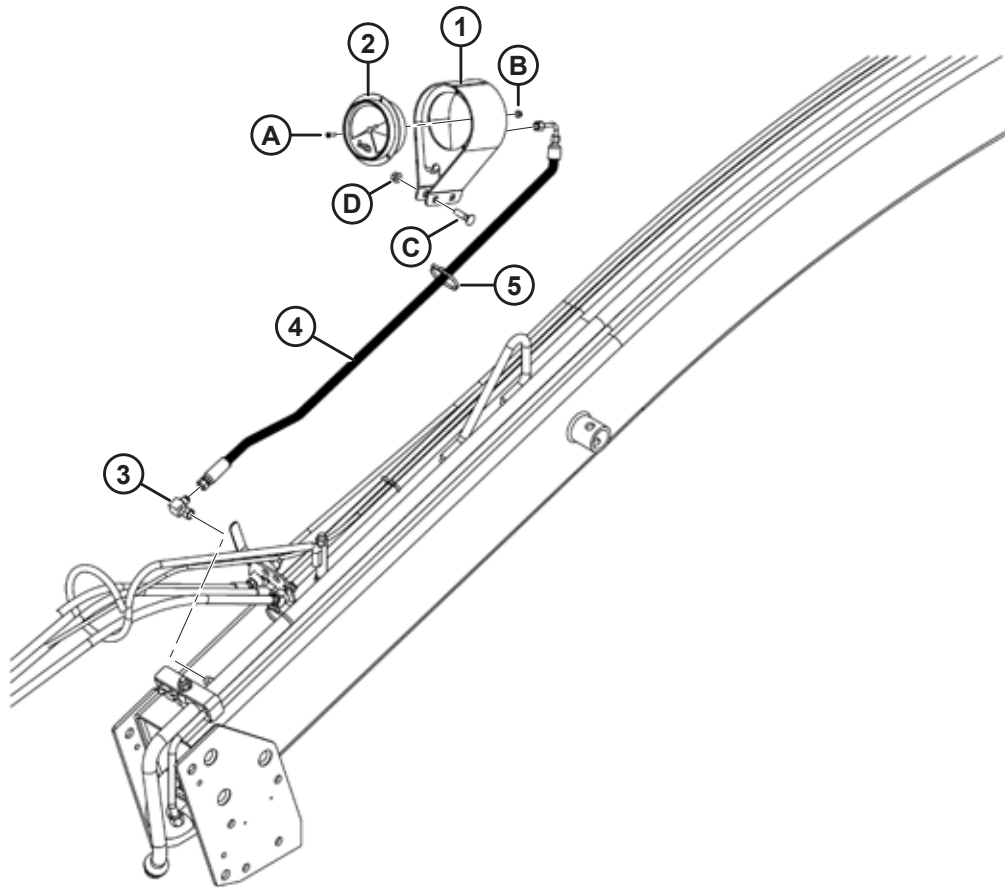
(OPTION) M200 TO R85 HYDRAULIC DRIVE



(OPTION) M200 TO R85 HYDRAULIC DRIVE

Ref	Part Number	Description	Qty	Serial Number
23	146664	SUPPORT – HOSE GUIDE	1	
24	163585	STRAP – VELCRO, HANGING	3	
25	194389	PLUG – TUBE FINISHING	1	
A	21066	BOLT – RHSN 1/2 NC X 1 GR 5 ZP		
B	50186	NUT – FLANGE LOCK SM FACE DT 0.500-13 UNC GR 5		
C	21264	BOLT – HH 3/8 NC X 1.25 LG GR 5 ZP		
D	18637	WASHER – LOCK		
E	21863	BOLT – RHSSN 3/8 NC X 0.75 LG 5 ZP		
F	30228	NUT – FLANGE DT SMOOTH FACE 0.375-16 UNC		
G	30905	NUT – CAP-1 IN. TUBE		

39 (Option) Pressure Gauge and Feed Plate

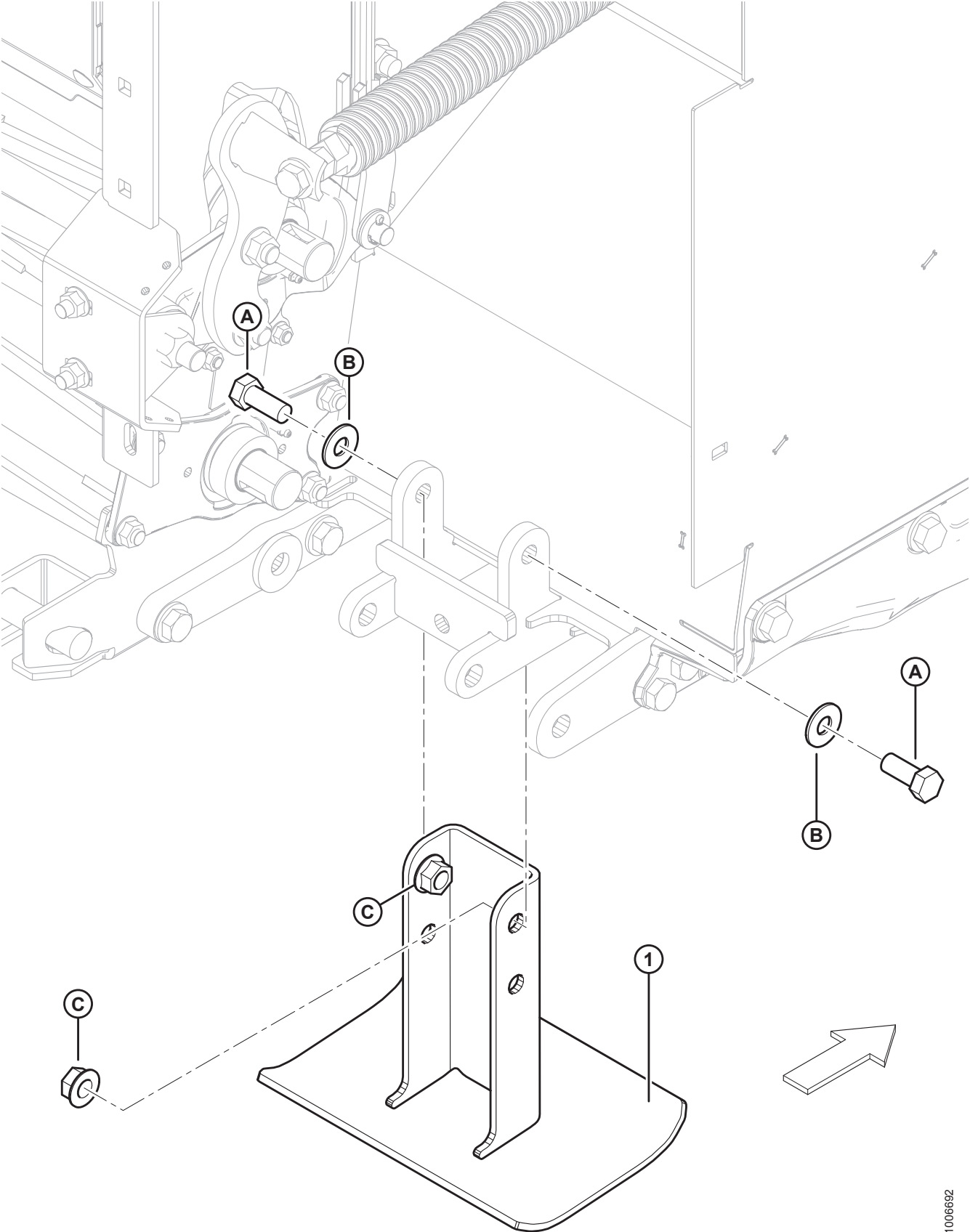


(OPTION) PRESSURE GAUGE AND FEED PLATE

Ref	Part Number	Description	Qty	Serial Number
	B4904	KIT – PULL-TYPE DRIVE PRESSURE GAUGE ⁹⁶		
1	194009	SUPPORT – GAUGE	1	
2	150453	INDICATOR – PRESSURE GAUGE	1	
3	106717	FITTING – 90° ELBOW HYDRAULIC	1	
4	194105	HOSE – HYDRAULIC	1	
5	21763	FASTENER – CABLE TIE	2	
A	21930	SCREW – HEX SOC CSK HD 10-24 X 3/4		
B	21492	NUT – FLG (SERR FACE) #10-24 X GR 5-AA1J		
C	21484	BOLT – RHSN, 3/8-16 UNC, 1.5 IN. LG, ZN PL, GR 5		
D	30228	NUT – LOCK, SMOOTH FLANGE, 3/8 NC DT		
	B4903	KIT – FEED ASSISTING PLATES ⁹⁶		
6	148220	PLATE	2	
E	148799	BOLT – HH FLANGE M12 X 1.75 X 45 LG ZP		

96. Kits available through Whole Goods only.

40 (Option) Skid Shoes

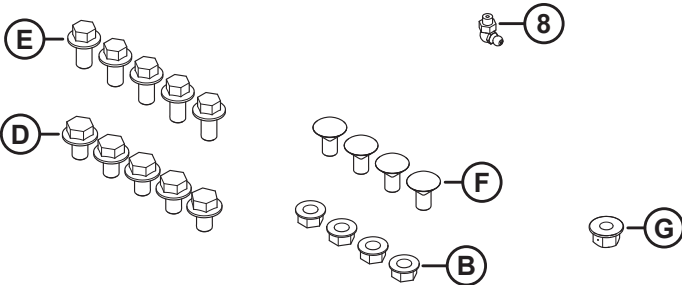
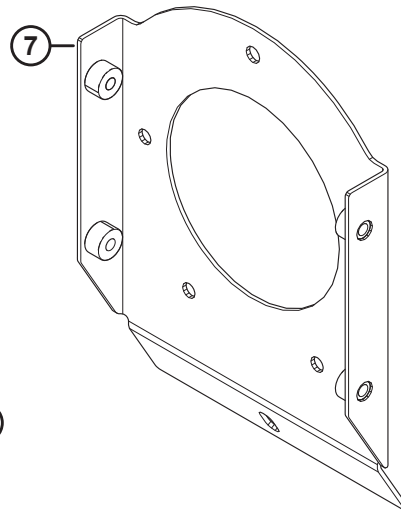
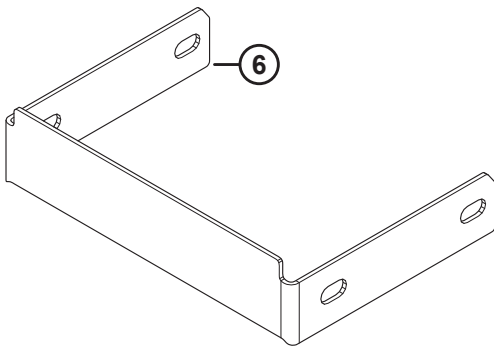
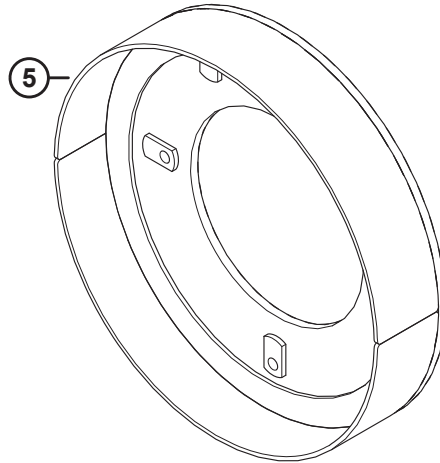
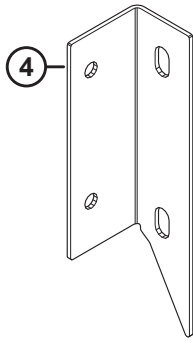
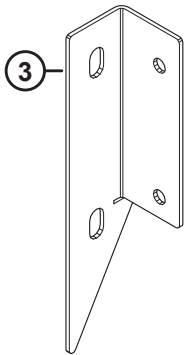
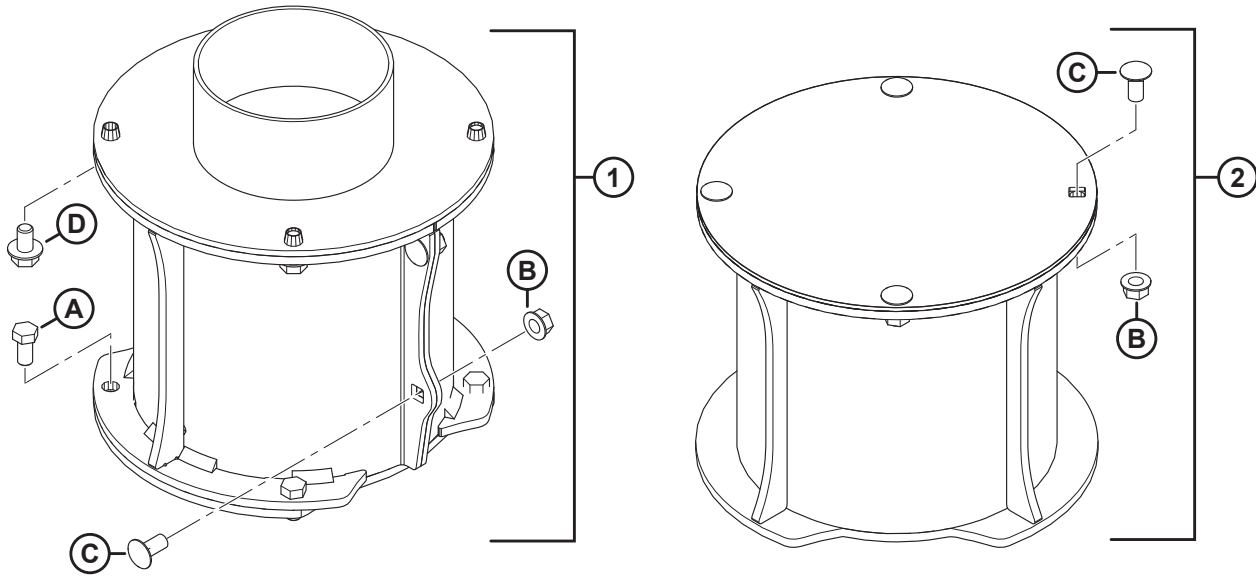


(OPTION) SKID SHOES

Ref	Part Number	Description	Qty	Serial Number
	B5457	KIT – SKID SHOES 13 FT (8 DISC) ⁹⁷		
1	198201	SHOE WELD'T	2	
A	21594	BOLT – HEX HD 0.625-11 UNC X 1.50		
B	18600	WASHER – SAE FLAT 21/32 I.D. X 1-5/16 IN. O.D. ZP		
C	50225	NUT – FLANGE DT SMOOTH FACE .625-11 UNC		

97. Kits available through Whole Goods only.

41 (Option) Solid Drums and Shields

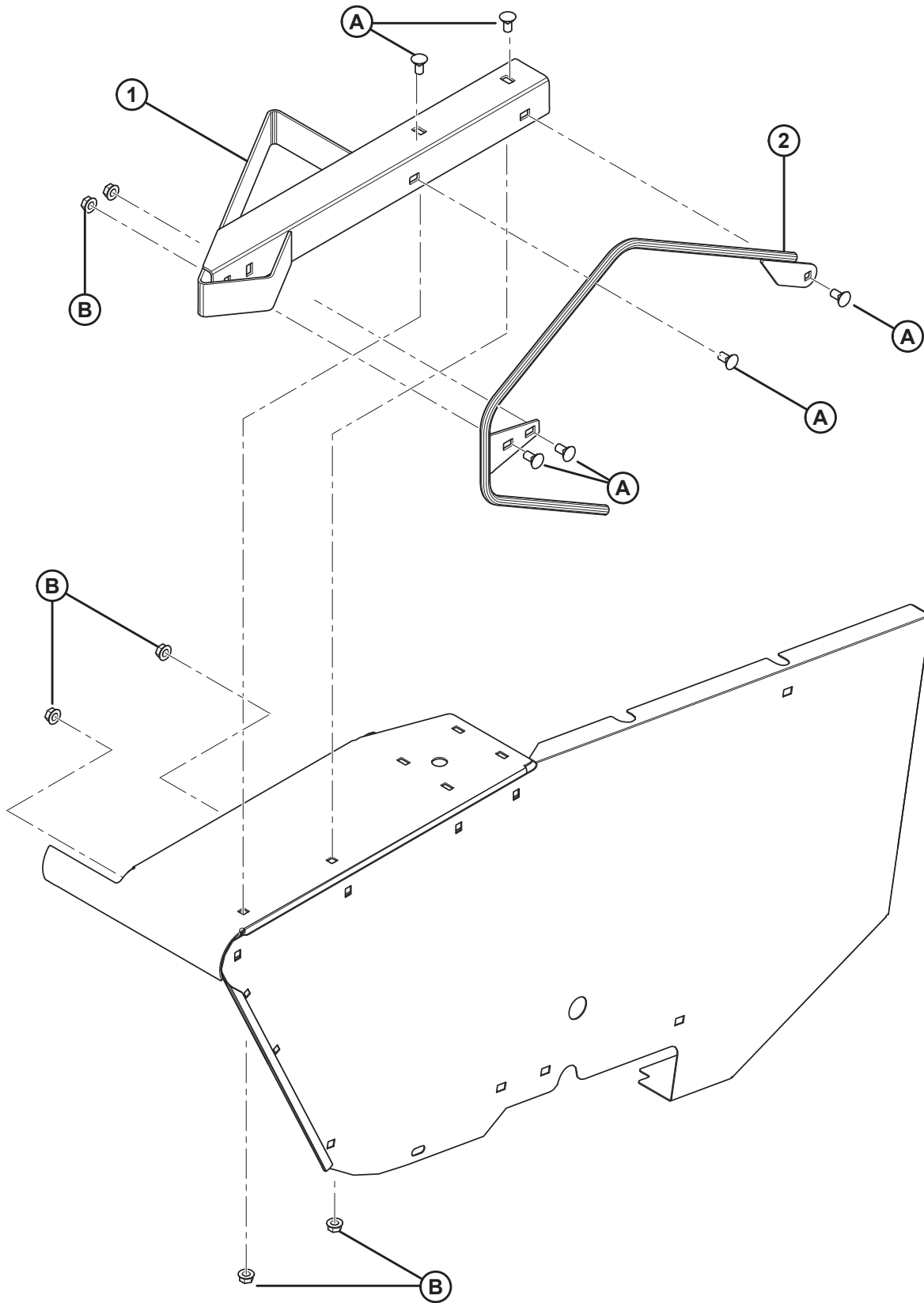


(OPTION) SOLID DRUMS AND SHIELDS

Ref	Part Number	Description	Qty	Serial Number
	268169	KIT – SOLID DRUMS AND SHIELDS ⁹⁸		
1	268069	DRUM – SPLIT ASSEMBLY	1	
2	268090	DRUM – SOLID ASSEMBLY	1	
3	268070	SHIELD – VERTICAL, RH	1	
4	268071	SHIELD – VERTICAL, LH	1	
5	268084	WELDMENT – DRUM TOP	1	
6	268130	PLATE – FRONT SHIELD	1	
7	268086	WELDMENT – SHIELD HORIZONTAL	1	
8	21010	FITTING – LUBE 90° 1/4-28 TAPER THD	1	
A	21567	BOLT – HEX HD 3/8-16 X 0.75 GR5-AA1J		
B	30228	NUT – FLG DT SM FACE 3/8-16 UNC-GR5-AA1J		
C	21863	BOLT – RHSSN 3/8-16 X 0.75 LG GR5 AA1J		
D	136151	BOLT – HEX FLG HD TFL M10 X 1.5 X 16-8.8-AA1J		
E	152655	BOLT – HEX FLG HD M10 X 1.5 X 20-8.8-AA1J		
F	21472	BOLT – RHSN 3/8-16 X .75-GR5 AA1J		
G	135799	NUT – HEX FLG CTR LOC M10 X 1.5-10		

98. Kit reduces crop wrapping of the vertical shaft and feeds crop into conditioners more effectively. Includes all listed parts.

42 (Option) Tall Crop Dividers

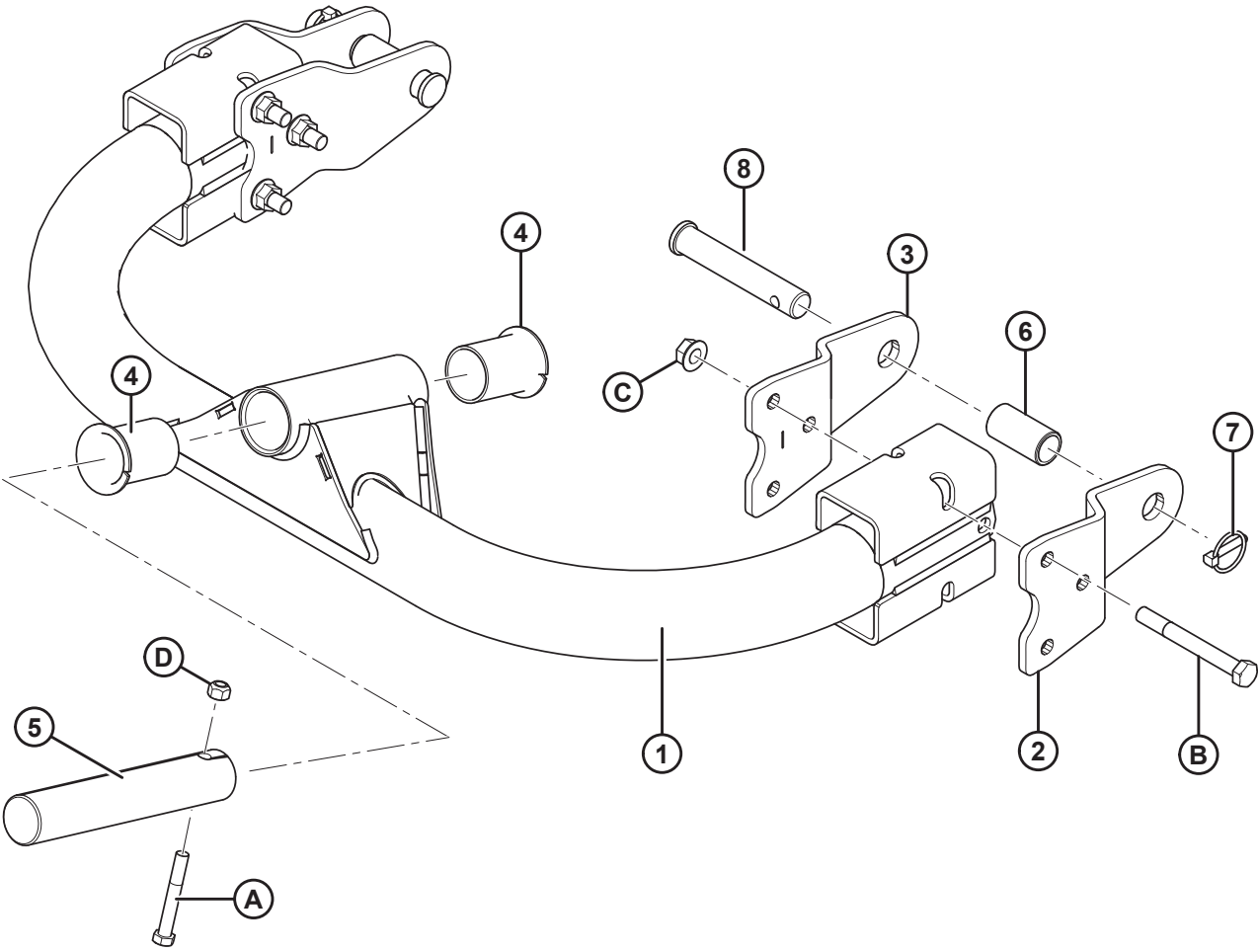


(OPTION) TALL CROP DIVIDERS

Ref	Part Number	Description	Qty	Serial Number
	B5509	KIT – TALL CROP DIVIDERS ⁹⁹		
1	198491	DIVIDER WELDMENT – LH	1	
	198492	DIVIDER WELDMENT – RH	1	
2	150881	ROD – WELDMENT, CROP DIVIDER	1	
A	21066	BOLT – RHSN 1/2 NC X 1 GR 5 ZP		
B	50186	NUT – FLANGE LOCK SM FACE DT 0.500-13 UNC GR 5		

99. Kits available through Whole Goods only.

43 (Option) Three-Point Hitch Adapter

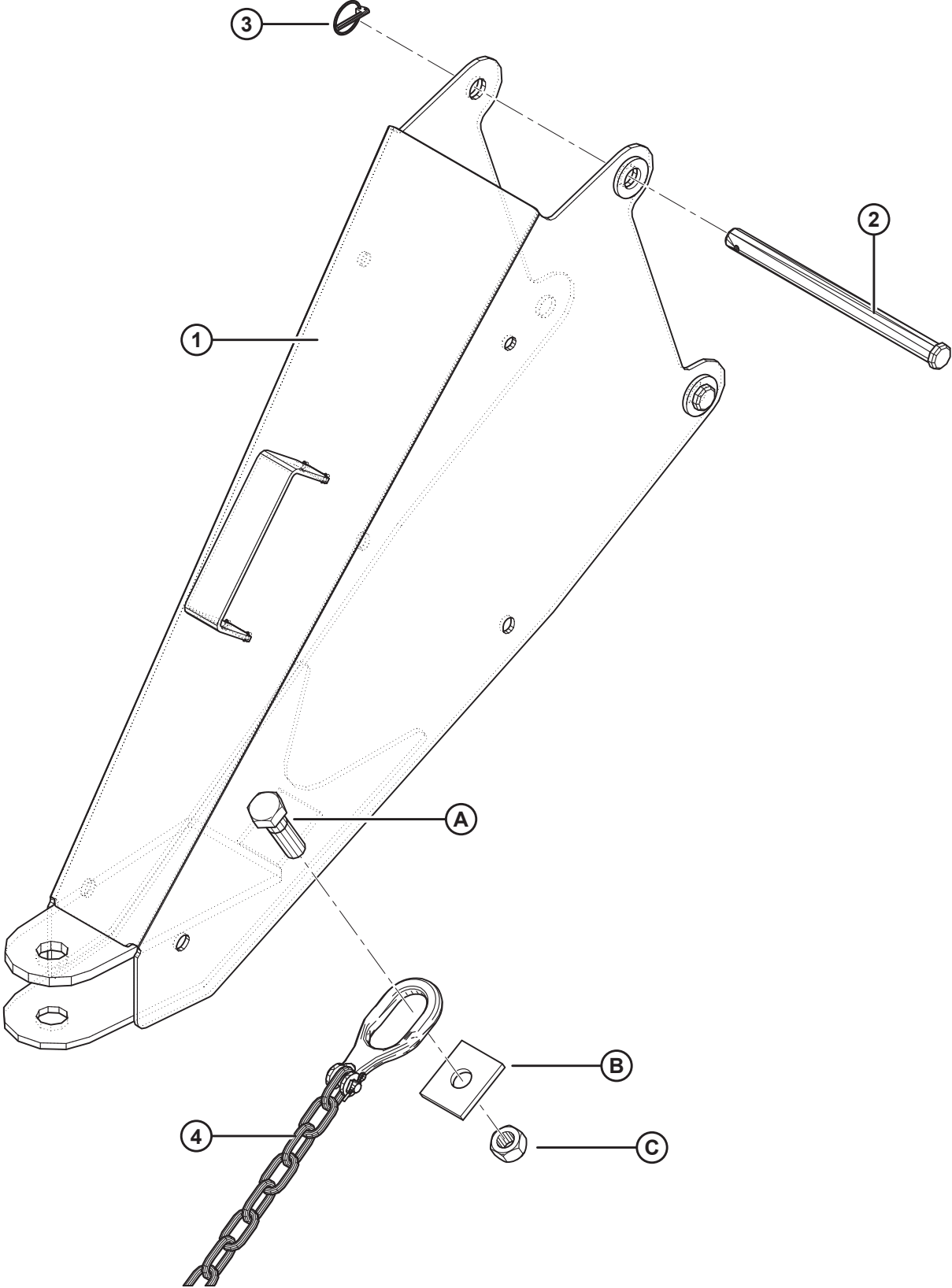


(OPTION) THREE-POINT HITCH ADAPTER

Ref	Part Number	Description	Qty	Serial Number
	B5439	KIT – THREE-POINT HITCH ADAPTER ¹⁰⁰		
1	196217	ADAPTER – THREE-POINT HITCH WELDT	1	
2	196219	ARM	2	
3	196240	ARM	2	
4	31453	TUBE – FLARED	2	
5	150217	PIN – ROCKSHAFT	1	
6	196261	BUSHING – CAT II TO III	2	
7	113561	PIN – LYNCH	2	
8	196228	PIN – CLEVIS	2	
	196231	HOSE – HYDRAULIC (NOT ILLUSTRATED)	4	
	196232	HOSE – HYDRAULIC (NOT ILLUSTRATED)	1	
A	21581	BOLT – HH 1/2 NC X 3.5 LG GR 5 ZP		
B	50163	BOLT – HH 5/8 NC X 5.5 LG GR 5 ZP		
C	50225	NUT – FLANGE DT SMOOTH FACE .625-11 UNC		
D	18697	NUT – HEX LOCK DT .500-13 UNC		

100.Kits available through Whole Goods only.

44 (Option) Tractor Utility Hitch Adapter



(OPTION) TRACTOR UTILITY HITCH ADAPTER

Ref	Part Number	Description	Qty	Serial Number
	B4897	KIT – TRACTOR UTILITY HITCH ADAPTER ¹⁰¹		
1	150314	HITCH – TRANSPORT	1	
2	135334	PIN – CLEVIS	2	
3	50193	PIN – LYNCH	2	
4	21404	CHAIN – 59 LINKS	1	
A	19957	BOLT – HH 3/4 NC X 2.5 LG GR 5 ZP		
B	29467	WASHER – FLAT RECTANGULAR		
C	18689	NUT – HEX LOCK DT .750-10 UNC		

101.Kits available through Whole Goods only.

Index

4761.....	24	21030.....	104
4889.....	24	21066.....	16, 26, 30, 42, 46, 94, 110, 114, 122
5113.....	42	21076.....	76
5734.....	18	21102.....	42
5735.....	18, 22	21153.....	44
6006.....	76	21264.....	32, 110, 114
6647.....	14	21281.....	104
7536.....	12	21282.....	100
11847.....	40	21345.....	88, 92
13125.....	40, 86, 90, 102	21404.....	102, 126
15903.....	48, 70, 72, 96	21425.....	18, 22
16652.....	94	21449.....	34, 42
18523.....	92	21452.....	26
18590.....	24, 84	21469.....	88, 104
18592.....	16	21471.....	14, 16, 30, 46, 56, 62, 104
18593.....	14, 52, 102	21472.....	14, 18, 30, 38, 84, 120
18596.....	42, 46	21484.....	102, 116
18597.....	24	21491.....	18, 24
18598.....	8, 32, 56, 62	21492.....	116
18599.....	24, 30, 94, 102	21540.....	14, 52, 102
18600.....	14, 42, 56, 62, 88, 92, 118	21560.....	56, 62
18601.....	14, 24, 42, 46, 50, 52, 88, 92, 102	21564.....	38, 56
18603.....	42, 102	21565.....	62
18608.....	44, 52	21566.....	34
18609.....	40, 48, 72	21567.....	38, 42, 84, 120
18619.....	12	21575.....	88, 92, 94
18629.....	44	21578.....	84
18637.....	74, 110, 114	21581.....	24, 124
18638.....	62	21582.....	10, 14, 42, 56, 62
18639.....	74	21585.....	30
18648.....	12, 86, 90, 102	21587.....	16
18652.....	38, 56	21589.....	88, 92
18664.....	14	21594.....	16, 74, 118
18670.....	84	21595.....	24
18671.....	44, 48, 54, 60	21599.....	14
18689.....	14, 102, 126	21760.....	24
18690.....	24	21763.....	72, 96, 116
18697.....	74, 88, 92, 94, 124	21804.....	72
18723.....	24, 62	21821.....	16, 18, 34, 42, 46
18724.....	34, 42, 46	21827.....	112
18770.....	42	21828.....	108, 112
18916.....	46	21830.....	70
18963.....	42	21863.....	26, 42, 88, 92, 94, 110, 114, 120
19809.....	86, 90	21868.....	18, 94
19878.....	46	21880.....	24, 84
19906.....	42	21881.....	60, 70
19957.....	102, 126	21930.....	116
19966.....	50	21975.....	56, 62
20077.....	14, 56, 62	23164.....	78
21010.....	22, 76, 120	23165.....	78
21024.....	18, 22	25579.....	48

INDEX

29467.....	102, 126	50040.....	84
30011.....	46	50091.....	20
30228.....	14, 16, 18, 26, 30, 32, 34, 38, 42, 50, 56, 62, 84, 88, 92, 96, 102, 110, 114, 116, 120	50098.....	108, 112
30242.....	42, 46	50101.....	8
30280.....	100, 104	50103.....	54, 60
30282.....	48	50163.....	124
30283.....	72	50186.....	14, 16, 18, 24, 26, 30, 38, 42, 46, 56, 62, 74, 84, 88, 92, 94, 104, 110, 114, 122
30284.....	70	50193.....	40, 86, 90, 126
30314.....	54	50197.....	84
30368.....	46	50220.....	38
30375.....	72, 96	50222.....	76
30387.....	42	50225.....	14, 16, 24, 30, 42, 56, 62, 88, 92, 118, 124
30441.....	16, 24, 88, 92	100577.....	22
30463.....	52	101007.....	102
30515.....	94	101375.....	78
30590.....	22	102264.....	76
30627.....	8	103562.....	88
30632.....	74	103579.....	44
30636.....	18, 56	103738.....	48
30693.....	32	105010.....	30
30701.....	44	105066.....	24, 46
30702.....	44	105137.....	30
30743.....	42	106717.....	116
30813.....	68	107201.....	76
30836.....	22	109207.....	78
30846.....	72	109843.....	78
30884.....	54, 60	111284.....	58
30905.....	110, 114	111713.....	34
30906.....	50	112624.....	32, 48
30939.....	36	112866.....	108, 112
30946.....	18	112868.....	36, 54, 108, 112
31453.....	102, 124	112936.....	108, 112
31774.....	46	113482.....	82
32738.....	78	113561.....	124
36651.....	78	115074.....	18
38894.....	84	115100.....	78
39272.....	34	115145.....	78
40702.....	36	115146.....	78
42045.....	88, 92, 94	115147.....	78
42104.....	106	115148.....	78
42431.....	106	115670.....	4
42432.....	106	118234.....	40, 44
42433.....	106	120377.....	108, 112
42434.....	106	120416.....	44
42592.....	88, 92	120901.....	30, 56, 62
44207.....	76	124541.....	18, 22
44209.....	76	124767.....	62
45427.....	26	132117.....	78
48050.....	30, 56, 62	132898.....	78
49341.....	40	133521.....	24
49464.....	74	133632.....	64, 66
50009.....	42, 94	134009.....	108, 112
50022.....	48	134010.....	108, 112

INDEX

134011	108, 112	135818	36
134106	98	135849	22
134360	98	135867	100
135001	96	135869	36, 38, 100
135004	50	135875	60
135015	48, 72	135881	60
135020	74	135906	16
135021	74	135946	36
135157	30, 38, 84	135954	88, 92, 94
135192	100	135963	26, 30, 32, 38
135213	108, 112	135965	30
135236	98	135976	38, 88, 92
135313	108, 112	135981	56
135316	108, 112	136101	62
135334	102, 126	136106	60
135340	46	136108	74
135341	46	136140	76
135352	70	136151	120
135365	108, 112	136174	50
135367	42, 50	136246	60
135369	18, 24, 84	136331	78
135371	24	136354	74
135374	72	136360	56, 62
135400	60	136412	38
135408	40	136413	38
135414	48, 72, 76	136631	38
135415	102	136686	88, 92
135442	74	137699	42
135474	36, 98	138124	36, 98
135479	108, 112	138127	36
135485	18	138272	98
135490	50	138273	98
135491	38	138709	34, 98
135544	108, 112	138762	98
135547	74	138764	98
135550	70	138766	98
135554	56, 60, 68	138855	36, 98
135560	36, 108, 112	139071	108, 112
135563	72, 96	139648	98
135577	50	139649	98
135593	102	140246	44
135607	74	140247	44
135613	44	140248	44
135614	112	140249	44
135619	68	140250	44
135708	36, 98	140269	56, 60
135709	36, 100	142376	48
135719	36	142895	80
135723	8	142896	80
135762	36	142908	78
135764	12	142909	78
135785	8	142912	78
135799	8, 120	142961	62
135800	8	143875	34

INDEX

146044	96	148851	72
146045	96	148893	94
146240	48	148900	94
146241	48	148918	72
146250	40	148961	48
146272	44	148962	48
146278	44	148968	70, 96
146293	8	149167	86, 90
146351	54	149168	86, 90
146352	64	149173	86
146367	64	149183	22
146371	8	149317	86, 94
146378	18	149318	112
146380	18	149342	12, 40, 48
146384	24	149399	22
146385	28	149545	18, 20
146391	72	149553	112
146394	54	149554	112
146395	54	149655	102
146404	56, 62	149672	24
146405	56, 62	149743	86
146420	40	149757	24
146429	94	149767	96
146430	84	149802	102
146457	94	149810	72
146458	94	149820	48
146464	28	149829	72
146472	32	149866	72
146474	36	149875	18
146476	28	149950	12
146481	84	150018	86, 90
146485	84	150049	66
146553	36	150075	72
146555	64	150082	102
146556	64	150093	74
146574	64	150101	72, 96
146664	108, 114	150104	70
146745	60	150105	72
146760	60	150123	68
146926	4, 8	150124	96
146933	94	150135	54, 60
146946	94	150138	54, 60
148067	44	150151	94
148078	48	150217	102, 124
148220	116	150255	72
148388	102	150256	70, 96
148644	2	150274	24
148645	2	150287	68
148730	2	150298	48
148735	2	150306	48
148798	2, 62	150307	48
148799	18, 56, 116	150311	68, 112
148800	2, 24, 56	150314	126
148829	78	150331	72

INDEX

150338	48	150849	4
150339	48	150852	4
150350	16	150853	24
150392	40	150854	24
150413	2	150855	24
150437	22	150856	24
150453	116	150857	58
150454	40	150858	58
150457	102	150859	58
150487	108	150860	58
150519	96	150862	58
150595	70	150863	58
150609	80	150864	20, 58
150620	66	150865	58
150630	54	150867	58
150632	54, 60	150868	58
150633	54, 60	150869	58
150634	54, 62	150870	58
150651	78	150871	20
150692	54	150872	20
150713	68	150873	20
150714	68	150874	20
150715	68	150875	20
150730	18	150877	20
150732	68	150878	20
150734	2	150879	36, 108, 112
150794	108	150881	122
150795	108	150886	54, 62, 64, 66
150796	108	150887	54
150797	108, 112	150888	54, 60
150819	96	150889	54, 60, 64, 66
150821	18	150890	64, 66
150823	80	150891	64, 66
150826	4	150892	66
150827	6	150893	64, 66
150828	6	150895	66
150829	4	150898	18
150830	4	150899	72
150831	6	150904	70
150832	4	150905	70
150833	4	150906	70
150834	4	150907	70
150835	4	150941	112
150836	6	150942	112
150837	4	150959	48
150838	4	150971	48
150839	6	150992	44
150840	6	150993	44
150841	6	151974	68
150842	4	152655	120
150843	6	152779	18
150844	4	153291	52
150845	4	156051	112
150846	6	156696	76

INDEX

157202.....	8	194177.....	52
157334.....	12	194178.....	6
157549.....	40	194179.....	6
157946.....	8	194183.....	54
160358.....	48	194184.....	68
160359.....	44	194185.....	58
160360.....	48	194186.....	58
163585.....	108, 114	194187.....	70
166466.....	82	194197.....	86
167865.....	98	194198.....	86
170281.....	78	194202.....	54, 60
171029.....	78	194211.....	58
171068.....	72	194212.....	58
171069.....	72	194334.....	22
171093.....	48	194365.....	108, 112
171277.....	56, 64, 66	194389.....	108, 114
171281.....	82	194419.....	44
171287.....	82	194463.....	82
171298.....	82	194464.....	82
172339.....	92	194465.....	82
174436.....	82	194466.....	82
183620.....	68	194468.....	78
183859.....	98	194475.....	76
184371.....	82	194494.....	44
184372.....	82	194521.....	82
184385.....	82	194525.....	54
184386.....	82	194526.....	66
184390.....	78	194527.....	66
184539.....	24	194531.....	54, 60
184600.....	62	194563.....	36
184665.....	8	194587.....	94
184667.....	92	194651.....	4
184669.....	56	194653.....	4
190546.....	82	194910.....	44
193182.....	88	196141.....	64
194004.....	68	196195.....	22
194009.....	116	196217.....	124
194021.....	78	196219.....	124
194026.....	70	196228.....	124
194033.....	108, 112	196231.....	124
194039.....	54, 58	196232.....	124
194041.....	60	196240.....	124
194043.....	36, 54	196260.....	16
194073.....	54	196261.....	124
194082.....	108	196279.....	16
194089.....	54	196476.....	60
194094.....	70	196495.....	60
194097.....	68	196857.....	22
194100.....	68	196877.....	28
194101.....	70	196989.....	12
194103.....	68	198006.....	26
194104.....	54	198009.....	28
194105.....	116	198024.....	28
194175.....	4	198055.....	8

INDEX

198097	40	198834	94
198154	12	198839	94
198201	118	198840	94
198205	12	198899	40
198225	18	198927	36
198229	22	198934	16
198244	22	198944	16
198263	22	198945	16
198271	28	207299	38
198278	4	221530	2, 40
198280	4	222705	4
198291	26	236050	32
198293	40	236080	28
198301	26	236082	28
198304	40	236155	32
198305	40	236165	32
198310	32	236212	48
198312	12	236218	48
198313	12	236263	104
198320	22	236264	104
198323	34, 98	236267	104
198329	22	236268	104
198340	32	236282	104
198344	34	236358	84
198417	26	236365	84
198419	12	236393	70
198433	22	236465	104
198454	24	236483	8
198457	22	236511	62
198468	24	236534	60
198469	18	236535	68
198470	60	236538	70
198486	22	236634	70
198491	122	236639	86
198492	122	236662	12
198498	28	236684	70
198502	22	236781	94
198503	28	236784	40
198504	22	236786	12, 32
198514	36	236790	12
198516	4	236798	12
198540	26	236845	12
198542	80	236855	36
198543	80	236902	86, 90
198546	60	236954	10
198547	60	236955	10
198610	68	247166	82
198616	22	247693	90
198719	94	247875	48, 70
198826	94	252232	100
198827	94	252669	10
198828	94	252849	74
198832	94	252850	74
198833	94	256046	40

INDEX

256047	40	B5511	112
259058	82	B5564	96
268024	12	B5662	104
268069	120	B6131	90
268070	120	B6268	90
268071	120		
268084	120		
268086	120		
268090	120		
268095	4		
268096	4		
268130	120		
268144	20		
268163	22		
268169	120		
268179	28		
268181	28		
268182	28		
268204	2		
268205	2		
268206	2		
268207	2		
268212	28		
268268	40		
268285	28		
268322	18		
268337	40		
268340	52		
268341	52		
272205	90		
272206	90		
272208	90		
272233	36		
272248	90		
272252	90		
325060	86, 90		
325061	86, 90		
325062	86, 90		
325063	86		

B

B4886	102
B4895	106
B4897	126
B4903	116
B4904	116
B4905	4
B5439	124
B5457	118
B5497	98
B5509	122
B5510	108

MacDon Industries Ltd.

680 Moray Street
Winnipeg, Manitoba
Canada R3J 3S3
t. (204) 885-5590 f. (204) 832-7749

MacDon, Inc.

10708 N. Pomona Avenue
Kansas City, Missouri
United States 64153-1924
t. (816) 891-7313 f. (816) 891-7323

MacDon Australia Pty. Ltd.

A.C.N. 079 393 721
P.O. Box 103 Somerton, Victoria, Australia
Australia 3061
t.+61 3 8301 1911 f.+61 3 8301 1912

MacDon Brasil Agribusiness Ltda.

Rua Grã Nicco, 113, sala 404, B. 04
Mossunguê, Curitiba, Paraná
CEP 81200-200 Brasil
t. +55 (41) 2101-1713 f. +55 (41) 2101-1699

LLC MacDon Russia Ltd.

123317 Moscow, Russia
10 Presnenskaya nab, Block C
Floor 5, Office No. 534, Regus Business
Centre
t. +7 495 775 6971 f. +7 495 967 7600

MacDon Europe GmbH

Hagenauer Strasse 59
65203 Wiesbaden
Germany

CUSTOMERS

MacDon.com

DEALERS

Portal.MacDon.com

Trademarks of products are the marks of their
respective manufacturers and/or distributors.

Printed in Canada