

M205

Self-Propelled Windrower

Parts Catalog

214604 Revision A

Original Instruction

M205 Self-Propelled Windrower, featuring the Dual Direction® and Ultra Glide® suspension.



Published March, 2018

NOTE:

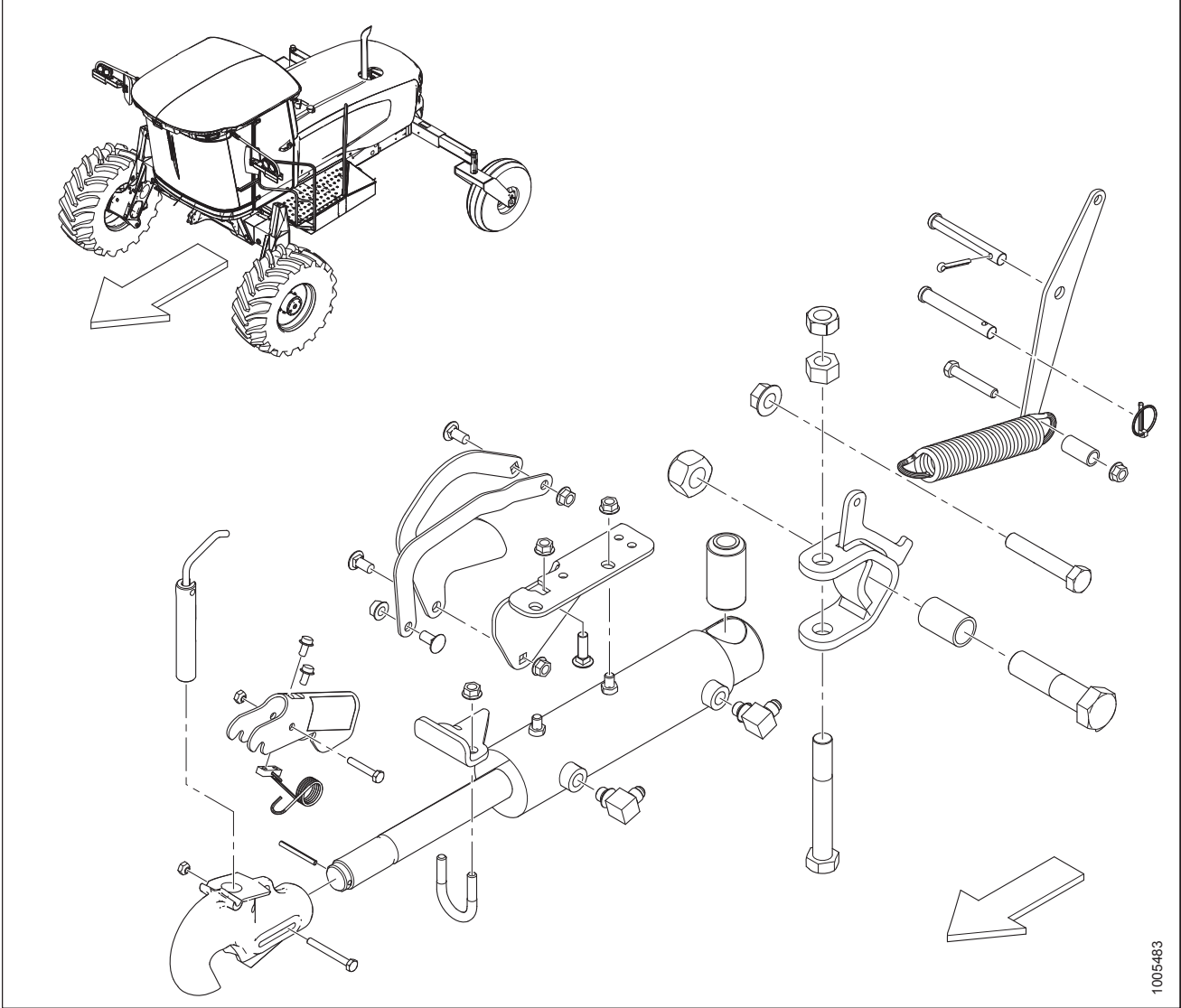
Keep your MacDon publications up-to-date. The most current version can be downloaded from our website (www.macdon.com) or from our Dealer-only site (<https://portal.macdon.com>) (login required).

Introduction

This Parts Catalog lists all the replacement parts that can be ordered for a MacDon M205 Self-Propelled Windrower.

Bold text is used to indicate updates made at the current revision level. With each new revision of the catalog, previous revisions are returned to regular text.

In this catalog, right-hand (RH) and left-hand (LH) are determined from the operator's position, facing forward with the windrower in cab-forward position. An arrow is sometimes used in illustrations to indicate cab-forward position as shown below.



Serial Number Breaks

The side of the serial number on which the dash (–) appears determines whether the part is used "up to" or "after" the serial number given.

Example:

- –162249 Used on machines up to and including serial number 166249.
- 166250– Used on machines including and after serial number 166250.

Abbreviations

The following abbreviations are used in this catalog.

A/R – as required (quantity varies)
ASSY – assembly
C/W – complete with
CSK – countersink
DK – double knife
DT – distorted thread
EXT – exterior
FLG – flange
HH – hex head
HYD – hydraulic
I.D. – inside diameter
LH – left hand (determined from operator's position, facing forward)
NC – national coarse thread
NF – national fine thread
NSS – not serviced separately
O.D. – outside diameter
OPT – optional
RD – round
REF – reference, part number called up elsewhere in catalog
REG – regular
RH – right hand (determined from operator's position, facing forward)
RHSN – round head, square neck or square neck carriage bolt
RHSSN – round head, short, square neck
SER – serrated
SMTH – smooth
SMV – slow moving vehicle

Summary of Changes – M205 (214604 Rev. A)

This list covers changes made since the last revision (147956 Rev. B)

Section	Summary of Change	Internal Use Only
OVERALL	Reorganized the layout of chapters, renamed where necessary. Cleaned-up illustrations.	Tech Pubs
<i>6 Walking Beam, page 11</i>	Beam extension assemblies 110145 and 110611 replaced by 167949 and 167952. Added reflector plates 209802, 209803, and screw 136209. Corrected information in footnotes. Updated illustration from 1004804 to 1021941 to show changes.	ECN 54488
<i>14 Lift Linkage, page 29</i>	Float link pin 112639 superseded by 183820. Straight pin 112760 superseded by 183821.	ECN 55269
<i>15 Lift Linkage Cylinders, page 33</i>	Analog sensor 166237 superseded by 206661. Added sensor kit 183846 for 2017 model year and prior units. Added metric bolt 152732 and nut 135799 to list for new sensor. Updated illustration from 1004823 to 1025123 to show changes.	ECN 55179
<i>16 Center-Link, page 37</i>	Analog sensor 166237 superseded by 206661. Added sensor kit 183846 for 2017 model year and prior units. Added metric bolt 152732 and nut 135799 to list for new sensor.	ECN 55179
	Added bolt 100456 to replace one of bolt 21863 at the connection of the tilt sensor link (112901) and tilt sensor support (163396). Updated illustration from 1014735 to 1025124 to show changes.	ECN 53645
<i>18 Fuel System, page 45</i>	Replaced return fuel hose 138974 with 138615. 138974 is used for M155 and 138615 is used for M205.	ECN 54989 G160448
	Added clamp 135716 and bolt 136485 to list, updated illustration from 1018917 to 1025016 to show changes.	ECN 55741
<i>19 Tanks (Fuel and Hydraulic), page 47</i>	Replaced screw 18577 with 184608.	ECN 55405
	Temperature sensor 139665 superseded by 183905.	ECN 56622
	Strap 110136 superseded by 183191.	ECN 47907
<i>21 Engine Air Intake – 2018 and Later, page 53</i>	Created new chapter for engine air intake for 2018. New illustration 1025028. Added new parts: clamps 136130 and 167458, hoses 139943, 139945, and 167412, tube 139946, supports 167411 and 183710, plate 139934, hardware 21484, 21561, and 135966.	ECN 54075
<i>23 Radiator, page 57</i>	Shroud 139081 superseded by 166434.	ECN 47310
	Clamp 167913 replaced by 21053.	ECN 53919
	Revised footnote on tank assembly 139117 to clarify service parts included in assembly.	Parts

Section	Summary of Change	Internal Use Only
<i>24 Coolers, page 59</i>	A/C condenser oil cooler 138556 superseded by 166830. Added A/C condenser oil cooler kit 167942 with footnote explanation.	ECN 54511
<i>25 Cooler Box, page 61</i>	Coolers support 138355 superseded by 167946.	ECN 54511
	Plug 110783 superseded by 161378.	ECN 54029
<i>26 Screen Cleaner, page 63</i>	Screens 110937 and 110938 superseded by 167984 and 167983.	ECN 55818
	Electrical motor 167570 superseded by 167956. Grommet 167876 added as a serviceable part.	ECN 53410
	Screen cleaner motor kit (167589) was given a list number and added to illustration. Updated illustration from 1018135 to 1021921 to show change.	Tech Pubs
<i>27 Hood, page 67</i>	Added service parts 110264–110267 for roadlight assembly 110268.	Parts
	Hood harness 166292 superseded by 167769.	ECN 52760
	Added panels 204646 and 206487, support 204076, pre-cleaner 139917, seal 183838, insert 183763, clamp 163954, and washer 118029 for export. Updated illustration from 1004846 to 1025034 to show changes.	ECN 54075 G183839
<i>28 Hood Mechanism, page 71</i>	Updated illustration 1004847 so that reference parts match current parts catalog style.	Parts
<i>29 Cab Seals, Grommets, Mounts, and Upholstery, page 75</i>	Plug 110783 superseded by 161378.	ECN 54029
<i>32 Doors, page 83</i>	Door 109738 replaced by 131388.	ECN 47310
	Screw 101897 replaced by 136209. Updated footnotes with proper screw.	ECN 54284
<i>33 Roof and Headliner, page 87</i>	Roof harness 167768 superseded by 167971, roof harness kit 167689 superseded by 183858.	ECN 54367 ECN 55521 ECN 56488
<i>34 Headliner Switch Panels, page 91</i>	1x Clear beacon switch 138952 (rear wiper symbol) replaced by clear beacon switch 160607 (front wiper symbol).	ECN 54367
<i>36 Mirrors and Wipers – 2011 and Later, page 95</i>	Wiper cover assembly 139520 superseded by 131271.	ECN 47310
<i>44 Seat Suspension Internal Components, page 123</i>	Compressor and wire harness kit 109813 superseded by 208040.	ECN 51157
	Shock kit 42930 superseded by 208038.	ECN 51843
<i>47 Ground Speed Lever and Cable, page 129</i>	Console harness 183302 superseded by 202551.	ECN 49664
	Speed lever channel weld't 109706 superseded by 183874.	ECN 54702

Section	Summary of Change	Internal Use Only
<i>48 Steering and Ground Speed Control (Under Cab), page 133</i>	Servo control valve 109309 superseded by 183913.	ECN 56616
<i>51 Engine Gearbox – 2017 and Later, page 145</i>	Replaced retaining ring 17430 with 183814.	ECN 55834
	Bracket 208235 superseded by 209598. Updated illustration from 1019030 to 1025168 to show new bracket.	ECN 53587
<i>53 Traction Drive Pump Repair Parts, page 151</i>	Ball bearing 111918 superseded by 49734.	ECN 51987
<i>54 Header Drive Pump, page 153</i>	Piston pump 183238 superseded by 183915.	ECN 56289
	O-ring 183575 superseded by 183704.	ECN 54350
<i>55 Header Drive Pump Repair Parts, page 155</i>	Solenoid tube 139564 superseded by 306022, added kit 306026 to service 2017 model year and prior units.	ECN 56289
	Solenoid coil 139565 superseded by 306039, added kit 306026 to service 2017 model year and prior units.	ECN 56289
<i>56 Wheel Drive Assembly, page 159</i>	Wheel drive motor 183625 superseded by 183715.	ECN 54591
<i>57 Wheel Drive Motor Repair Parts, page 161</i>	Servo kit 162398 superseded by 183377.	ECN 49690
	Wheel drive motor 183625 superseded by 183715. Rear ports distributor kit 183628 superseded by 183718. Updated illustrations 1005437, 1013618, and 1013619 to 1024982 to show changes.	ECN 54591
<i>61 Header Lift Manifold, page 177</i>	Lift manifold valve 183486 superseded by 183798	ECN 55144
<i>62 Lift Manifold Valve Repair Parts, page 179</i>	Lift manifold valve 183486 superseded by 183798. Relief valve 183485 superseded by 183699 and seal kit 220908. Updated list and illustration from 1005330 to 1022540 to show changes.	ECN 55144
<i>64 Hydraulics – Charge Cooler, page 185</i>	Added cable tie 40704 to list, updated illustration from 1014595 to 1025013 to location of cable ties.	ECN 53952
<i>67 Hydraulics – Brake Shift, page 191</i>	Hose 111325 superseded by 172986.	ECN 43687
<i>70 Hydraulics – Draper/Auger Header Drive, page 197</i>	Discontinued seal kits 111977 and 139667.	ECN 47629
	Fitting 163159 superseded by 167763.	ECN 52228
<i>72 Draper Header Reel Hydraulics – Couplers, page 207</i>	Added service parts for multi-link coupling 135238 to list.	Parts
<i>73 Draper Header Reel Hydraulics – Fore-Aft, page 209</i>	Fitting 163156 superseded by 167762.	ECN 52228
<i>75 Electrical – Chassis, page 213</i>	Battery hold-down brackets 163656 and 163657 superseded by 166846 and 166985.	ECN 51000
	Draper/Auger harness 138710 superseded by 183358, which is then superseded by 183445.	ECN 49743 ECN 50070
	Circuit breaker 134164 superseded by 134764.	ECN 50722

Section	Summary of Change	Internal Use Only
	Micro relay 111856 superseded by 134837.	ECN 51701
	Chassis harness 167670 superseded by 167783 for model year 2017.	ECN 52760
	Chassis harness 167783 superseded by 167865 for model year 2018 and harness kit 183859 for model year 2017 and prior.	ECN 53239
<i>79 Decals – Safety (2013 and Later), page 227</i>	Decals 183245 and 183250 made non-serviceable parts (service code 4, was service code 1).	ECN 56058
<i>80 Decals – Information and Reflectors, page 229</i>	M inline fuse decal 167637 superseded by 167969. Added fuse block decal 167962 for 2018, kept previous decals for earlier years.	ECN 53239
	Added decals 167896, 167897, and 167903. Updated illustration from 1018486 to 1022048 to show change.	ECN 53444
	Refrigerant/oil decal 110987 superseded by 183179.	ECN 47739
<i>81 Decals – Product Identification, page 233</i>	Cummins decal 139602 discontinued. Removed from list and updated illustration from 1018449 to 1024983 to show changes.	ECN 54802
<i>82 Decals – Russian, page 235</i>	High pressure fluid decal 174474 superseded by 166466.	ECN 48064
	Refrigerant/oil decal 166299 superseded by 183181.	ECN 47739
	Added fuse block decal 183852 for 2018, kept previous decals for earlier years. Updated illustration from 1013623 to 1022055 to show change.	ECN 53239
<i>86 Auxiliary Lift Valve, page 245</i>	Updated list and illustration from 1005334 to 1022548.	Tech Pubs
<i>93 Hydraulic Autosteer, page 259</i>	Replaced cylinder end support 139383 part number with NSS; support 139383 superseded by 166468.	ECN 48088
<i>95 Sweeps Kit, page 265</i>	Sweeps kit B5806 superseded by B6422. Rad sweep assy 167435 superseded by 183748 and added spacer 252756. Updated illustration from 1001220 to 1025040 to show changes.	ECN 54511
<i>97 Pre-Cleaner Kit, page 269</i>	Engine pre-cleaner kit superseded by B6422.	ECN 54511
<i>99 Cab Suspension Limit Strap Kit, page 273</i>	Guide 167521 superseded by 167922, which is a non-serviceable (service code 4) part.	ECN 54294

Section	Summary of Change	Internal Use Only
<i>102 M205 to R85 – Connections, page 279</i>	16-foot disc header harness 268026 superseded by 268274.	ECN 55170
	M205 chassis harness 183480 superseded by 167686, which is superseded by 183859.	ECN 51520 ECN 55382
<i>103 Neutral Setting Service Kit, page 283</i>	Neutral setting service kit 183615 superseded by 183709. Hose 183610 superseded by 183707. Carrying case 183614 superseded by 183708. Added tow coupling 252705. Increased quantity of fitting 183525 from four to six. Updated illustration from 1017865 to 1021927 to show changes.	ECN 54226

TABLE OF CONTENTS

Introduction	i
Serial Number Breaks	ii
Abbreviations	iii
Summary of Changes – M205 (214604 Rev. A).....	iv
1 Frame Hose Guards	1
2 Wheel Legs	3
3 Platform Stairs – 2010 and Prior.....	5
4 Platforms and Toolbox	7
5 Platform Mechanism	9
6 Walking Beam	11
7 Anti-Shimmy	13
8 Casters – Forked 16.5-16.1	15
9 Casters – Formed 7.5-16	17
10 Casters – Forked 10 x 16	19
11 Casters – Formed 10 x 16	21
12 Drive Wheels and Tires – Eight Bolt	23
13 Drive Wheels and Tires – Ten Bolt.....	27
14 Lift Linkage	29
15 Lift Linkage Cylinders	33
16 Center-Link	37
17 Engine Sub Assembly	41
18 Fuel System	45
19 Tanks (Fuel and Hydraulic).....	47
20 Engine Air Intake – 2017 and Prior	51
21 Engine Air Intake – 2018 and Later	53
22 Engine Exhaust.....	55
23 Radiator	57
24 Coolers	59
25 Cooler Box	61
26 Screen Cleaner.....	63
27 Hood	67
28 Hood Mechanism	71
29 Cab Seals, Grommets, Mounts, and Upholstery	75
30 Cab Suspension.....	79
31 Windows	81
32 Doors	83
33 Roof and Headliner	87
34 Headliner Switch Panels	91
35 Mirror Arms – 2010 and Prior	93
36 Mirrors and Wipers – 2011 and Later	95
37 Cab Air Conditioning and Heating – 2014 and Prior	99
38 Cab Air Conditioning and Heating – 2015 and Later	103

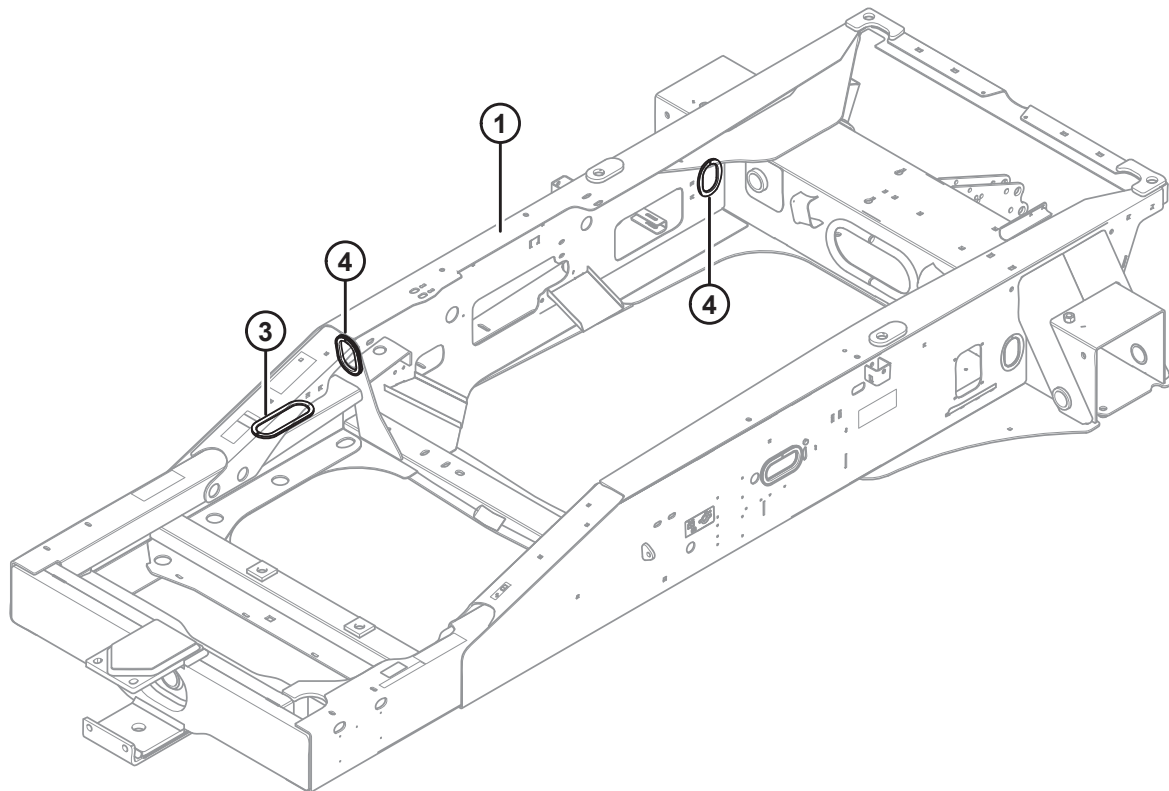
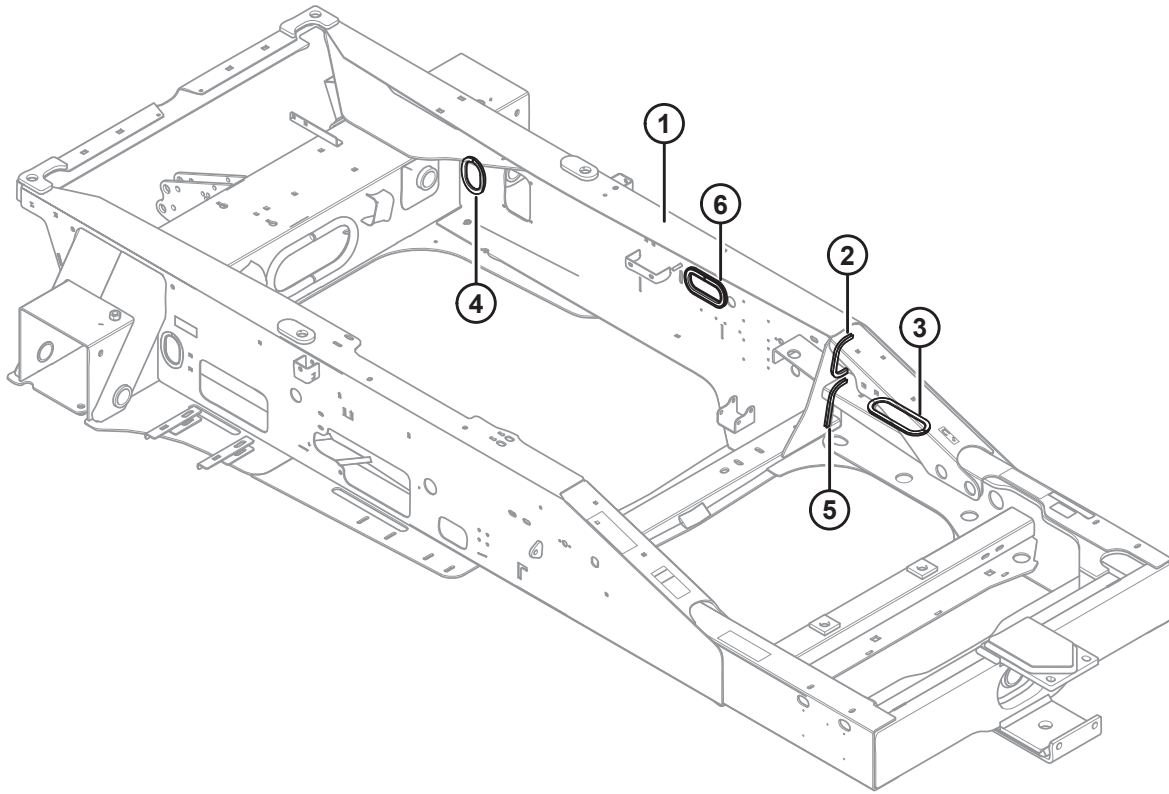
TABLE OF CONTENTS

39	HVAC – Cab Group (2015 and Later).....	105
40	HVAC – Engine Group (2014 and Prior)	107
41	HVAC – Engine Group (2015 and Later).....	111
42	Steering Column and Seat Base.....	115
43	Operator's Seat	121
44	Seat Suspension Internal Components	123
45	Trainer's Seat	125
46	Console Components	127
47	Ground Speed Lever and Cable	129
48	Steering and Ground Speed Control (Under Cab)	133
49	Neutral Interlock and Pintle Arms	137
50	Engine Gearbox – 2016 and Prior	141
51	Engine Gearbox – 2017 and Later.....	145
52	Traction Drive Pump	149
53	Traction Drive Pump Repair Parts	151
54	Header Drive Pump	153
55	Header Drive Pump Repair Parts.....	155
56	Wheel Drive Assembly	159
57	Wheel Drive Motor Repair Parts	161
58	Wheel Drive – Bonfiglioli (8 Bolt), 2014 and Prior	165
59	Wheel Drive – Auburn Gear (8 Bolt), 2014 and Prior	169
60	Wheel Drive – Auburn Gear (10 Bolt), 2015 and Later.....	173
61	Header Lift Manifold.....	177
62	Lift Manifold Valve Repair Parts	179
63	Cooler Bypass	183
64	Hydraulics – Charge Cooler	185
65	Hydraulics – Header Drive.....	187
66	Hydraulics – Traction Drive	189
67	Hydraulics – Brake Shift.....	191
68	Hydraulics – Lift	193
69	Hydraulics – Interlock Servo	195
70	Hydraulics – Draper/Auger Header Drive.....	197
71	Draper Conditioner/Auger Header Reverser.....	203
72	Draper Header Reel Hydraulics – Couplers	207
73	Draper Header Reel Hydraulics – Fore-Aft.....	209
74	Draper Header Case Drain Kit	211
75	Electrical – Chassis.....	213
76	Electrical – GPS	221
77	Paint.....	223
78	Decals – Safety (2012 and Prior).....	225
79	Decals – Safety (2013 and Later)	227
80	Decals – Information and Reflectors	229

TABLE OF CONTENTS

81	Decals – Product Identification	233
82	Decals – Russian	235
83	Slow Moving Vehicle (SMV) Reflector.....	239
84	Draper Header Supports	241
85	Center-Link Cylinder Lift Kit.....	243
86	Auxiliary Lift Valve	245
87	Warning Beacon.....	247
88	Auxiliary Springs	249
89	Weight Box.....	251
90	Lighting and Marking for Cab-Forward Travel	253
91	Fan Air Baffle Kit	255
92	Pressure Sensor Kit	257
93	Hydraulic Autosteer	259
94	Scoop Kit	263
95	Sweeps Kit	265
96	Hood Reinforcement Kit.....	267
97	Pre-Cleaner Kit.....	269
98	Fan Drive Upgrade and Reversible Fan Kit.....	271
99	Cab Suspension Limit Strap Kit	273
100	M205 Gearbox Service Kit	275
101	Cab Suspension Rear Bumpers Kit.....	277
102	M205 to R85 – Connections	279
103	Neutral Setting Service Kit	283
104	(Option) Auxiliary Cooling Package – Frame.....	285
105	(Option) Auxiliary Cooling Package – Oil Cooler and Fan Shroud.....	289
106	(Option) Auxiliary Cooling Package – Hydraulics.....	293
107	(Option) Auxiliary Cooling Package – Electrical.....	295
	Index	298

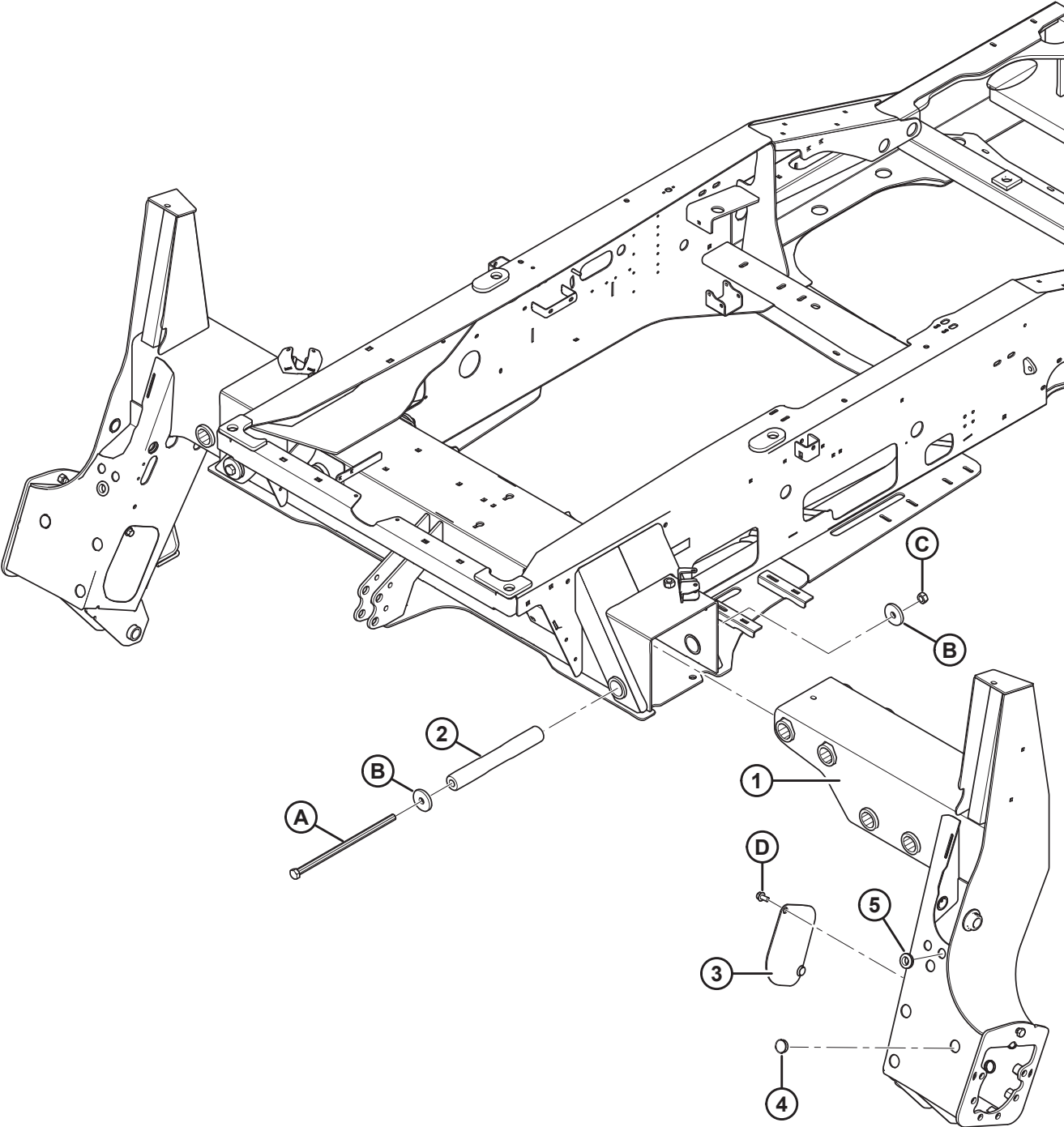
1 Frame Hose Guards



FRAME HOSE GUARDS

Ref	Part Number	Description	Qty	Serial Number
1	REF	FRAME – NOT SERVICED	1	
2	112873	MOULDING – FRAME (UNIGRIP)	1	
3	163971	MOULDING – FRAME (UNIGRIP)	2	
4	110735	MOULDING – FRAME (UNIGRIP)	3	
5	110737	MOULDING – FRAME (UNIGRIP)	1	
6	166275	MOULDING – FRAME (UNIGRIP)	1	

2 Wheel Legs

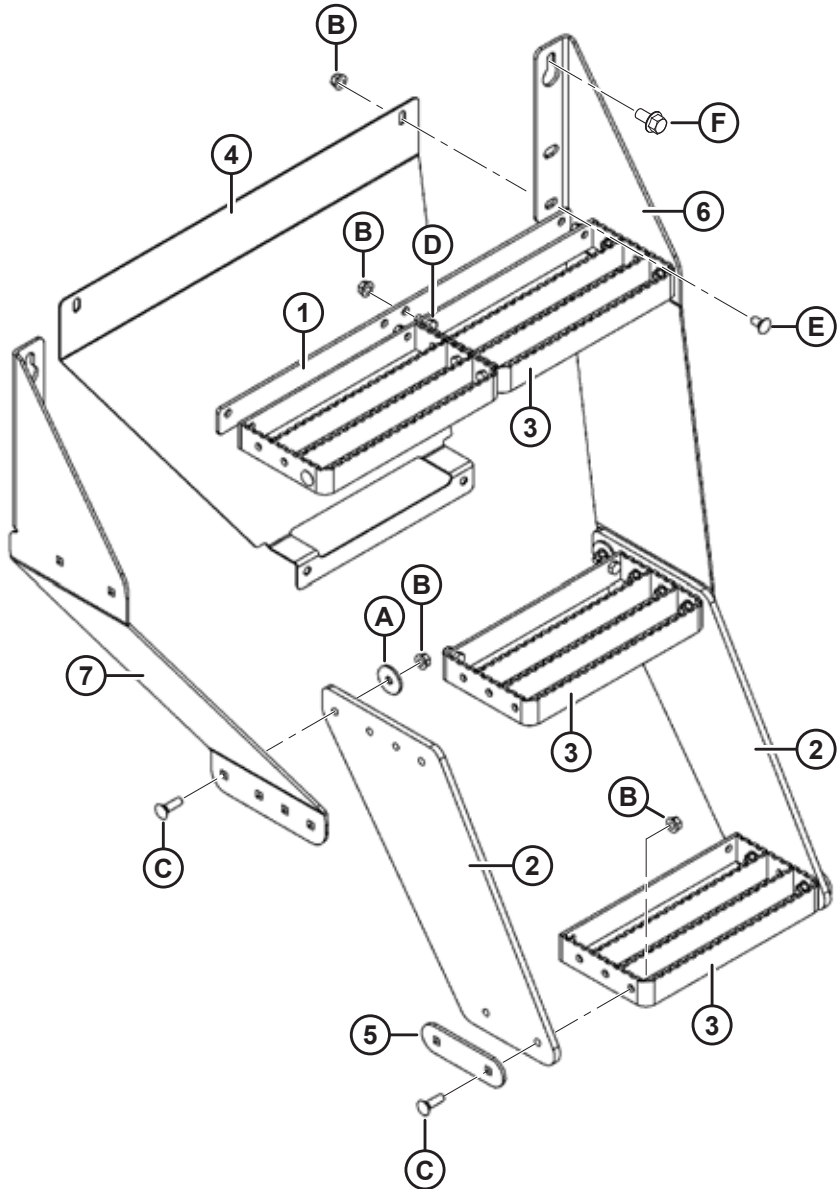


WHEEL LEGS

Ref	Part Number	Description	Qty	Serial Number
	B5442	KIT – LEG PIN EXTRACTION TOOL (DEALER SET-UP AID) ¹		
1	183410	MEMBER – LH LEG WELDT	1	
	183409	MEMBER – RH LEG WELDT	1	
2	110976	TUBE – PIN	4	
3	112817	COVER – LH WELDT	1	
	112818	COVER – RH WELDT	1	
4	161378	PLUG – HOLE 38 MM (1.5 IN.)	5	
5	112640	GROMMET	2	
A	135441	BOLT – HH 3/4 NC X 16.5 LG GR 5 ZP		
B	135322	WASHER – FLAT		
C	102636	NUT – HEX DT .750-10 UNC		
D	21449	BOLT – HH FLG (SER FACE) 1/2 NC X 1.0 GR 5 ZP		

1. Kits available through Whole Goods only.

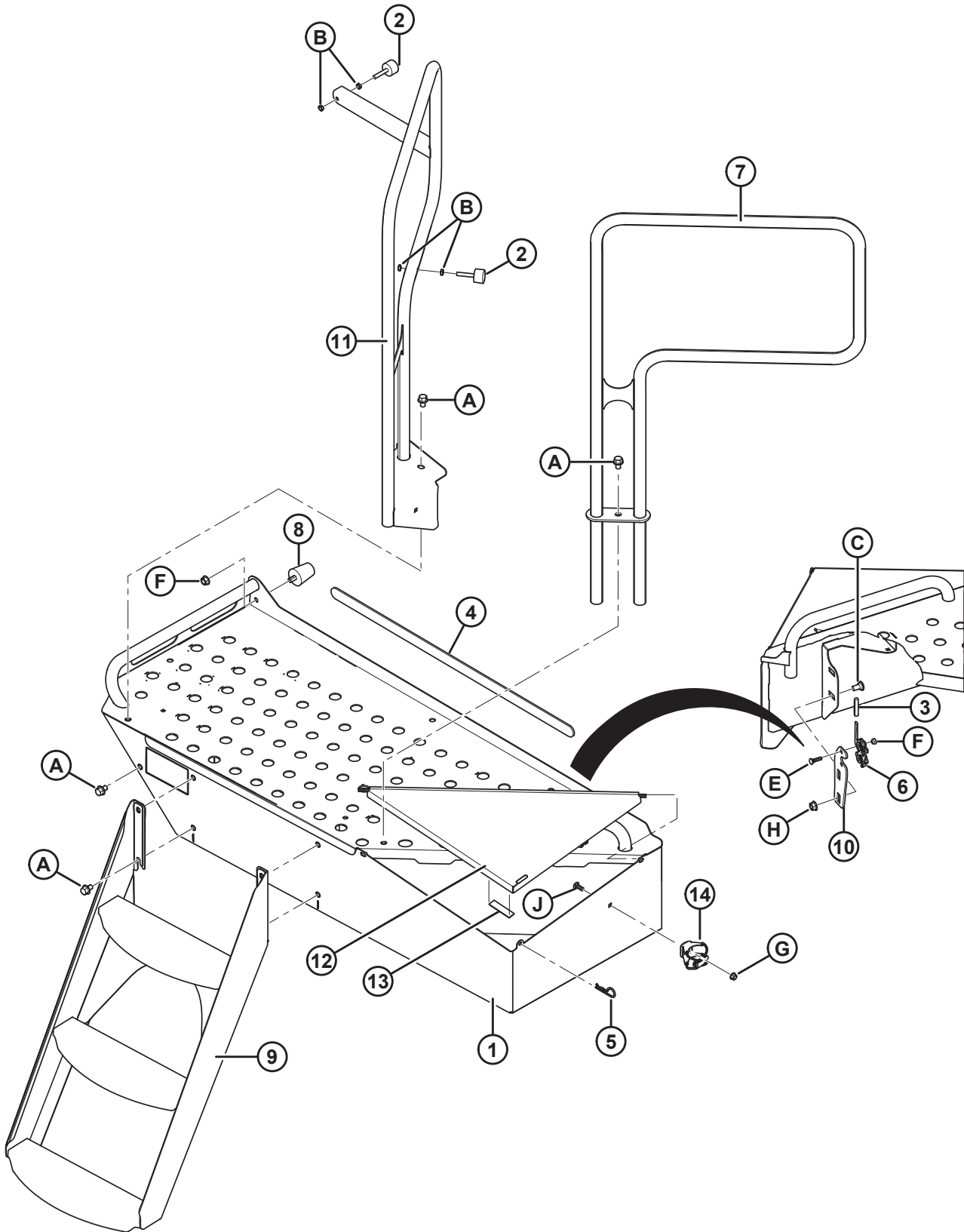
3 Platform Stairs – 2010 and Prior



PLATFORM STAIRS – 2010 AND PRIOR

Ref	Part Number	Description	Qty	Serial Number
1	110776	BAR – TENSION (STEPS)	1	-216499
2	110591	SUPPORT – POLY FLEX STEP	2	-216499
3	110592	STEP	4	-216499
4	110593	PANEL – STAIR BACKING	1	-216499
5	110588	CLAMP – STAIRS	2	-216499
6	110595	SUPPORT – RH STAIR SIDE	1	-216499
7	110594	SUPPORT – LH STAIR SIDE	1	-216499
A	16652	WASHER – SAE FLAT 13/32 I.D. X 13/16 IN. O.D. ZN PL		
B	30228	NUT – FLG DT SMTH FACE 0.375-16 UNC		
C	19966	BOLT – RHSN 3/8 NC X 1.25 LG GR 5 ZN PL		
D	21567	BOLT – HH .375-16 UNC X 0.75 LG		
E	21472	BOLT – RHSN 3/8 NC X 0.75 GR 5 ZN PL		
F	21449	BOLT – FLG HD 1/2 NC x 1.0 LG		

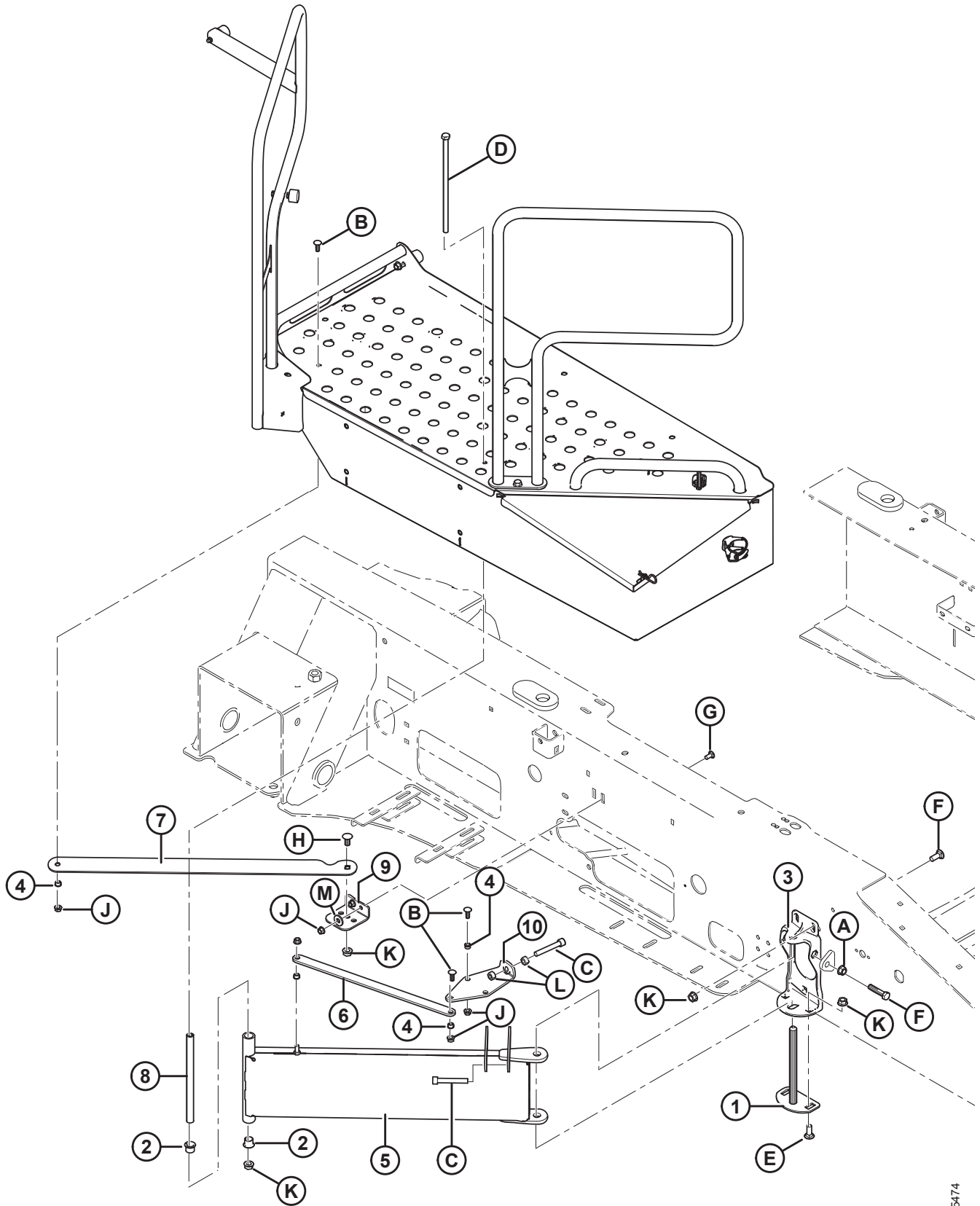
4 Platforms and Toolbox



PLATFORMS AND TOOLBOX

Ref	Part Number	Description	Qty	Serial Number
1	139750	PLATFORM – LH, C/W 2-PANEL DECALS (M155/M205)	1	
	139841	PLATFORM – RH, C/W 2-PANEL DECALS (M155/M205)	1	
2	110354	BUMPER – RUBBER	4	
3	110817	COVER – SOFTEX GRIP	2	
4	110991	GUARD – FOAM RUBBER	2	
5	13125	PIN – HAIR	2	
6	134003	ASSY – STIRRUP LATCH	2	
7	139212	RAIL – WELD'T	2	
8	139234	BUMPER – RUBBER	2	
9	139264	STEP – WELD'T (2011 AND LATER)	2	
10	166421	PLATE – LATCH MOUNT	2	
11	139304	RAIL – FRONT WELDT, LH	1	
	139435	RAIL – FRONT WELDT, RH	1	
12	139462	LID – TOOLBOX, LH WELDT	1	
	139463	LID – TOOLBOX, RH WELDT	1	
13	139516	PAD – RUBBER	2	
14	45948	HOLDER – GREASE GUN ZN PL	1	
A	105066	BOLT – HH FLG (SER FACE) 1/2 NC X 0.75 GR 5 ZP		
B	18664	NUT – HEX JAM 3/8-16 UNC GR 5 ZP		
C	21066	BOLT – RHSN 1/2 NC X 1 GR 5 ZP		
E	21473	BOLT – RHSN 5/16 NC X 1.25 LG GR 5 ZP		
F	35689	NUT – SPECIAL		
G	30228	NUT – FLG DT SMOOTH FACE 0.375-16 UNC		
H	50186	NUT – FLG LOCK SM FACE DT 0.500-13 UNC GR 5		
J	100456	BOLT – RHSSN 3/8 NC X 1.0 GR 5 ZP		

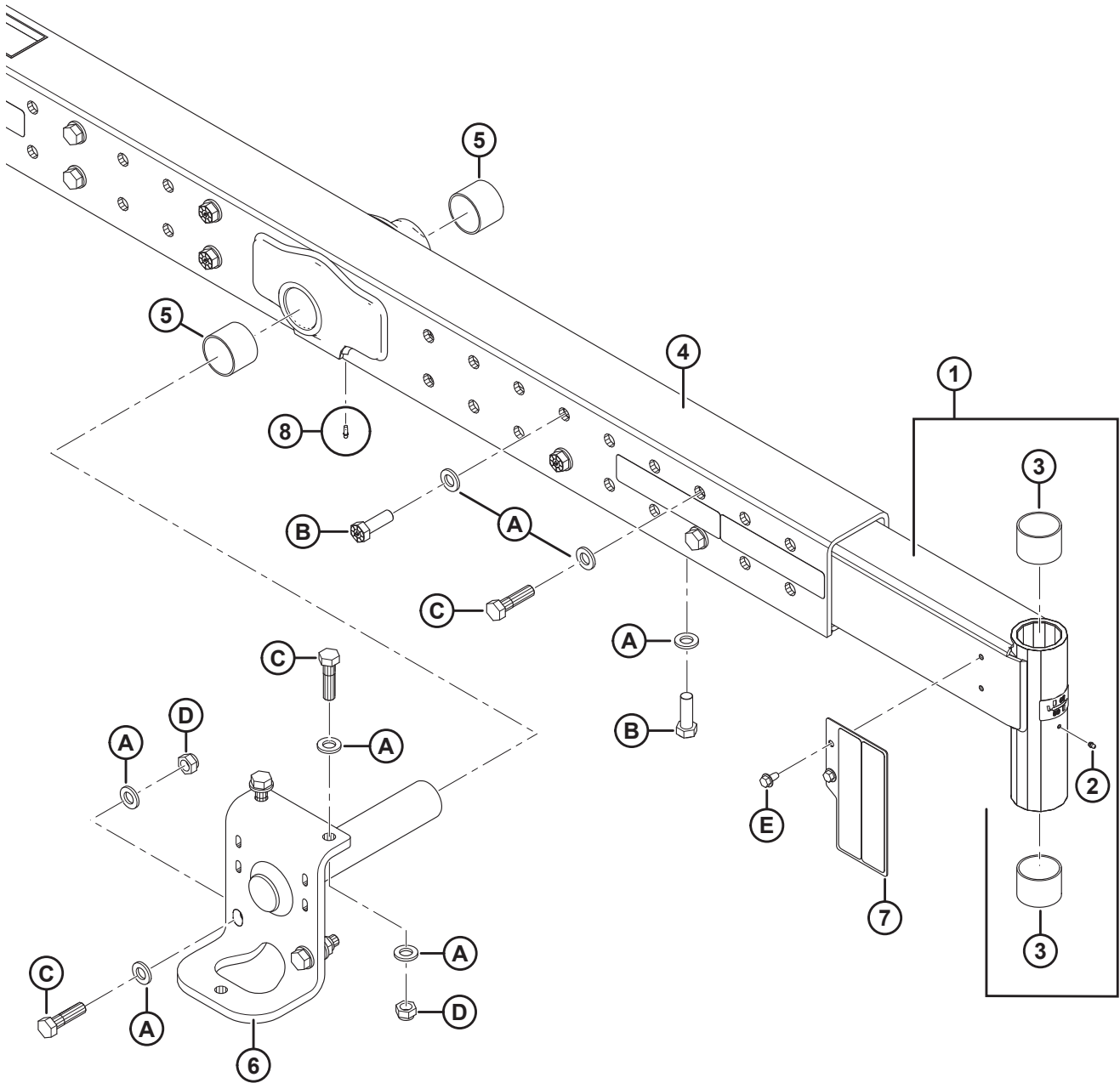
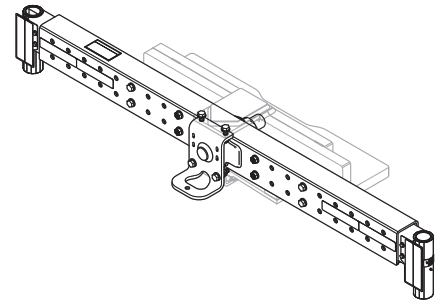
5 Platform Mechanism



PLATFORM MECHANISM

Ref	Part Number	Description	Qty	Serial Number
1	110585	PIN – WELDT	2	
2	135570	BUSHING – TEFLON	4	
3	139197	SUPPORT – HINGE, PLATFORM	2	
4	139210	BUSHING – BRONZE	8	
5	139218	SUPPORT – PLATFORM, WELD'T	2	
6	139277	LINK – PLATFORM	2	
7	139284	ARM – PLATFORM	2	
8	139292	TUBE – HINGE	2	
9	183168	ANGLE – PLATFORM ARM PIVOT	2	
10	139203	LINK – STRIKER	2	
A	21383	NUT – FLG .500-13 UNC (SER FACE)		
B	100456	BOLT – RHSSN 3/8 NC X 1.0 GR 5 ZP		
C	135410	BOLT – HEX SKT HD M12-1.75 X 80 ZN PL		
D	135908	BOLT – HH 1/2 NC X 12.0 LG GR5 ZP		
E	21471	BOLT – RHSN 1/2 NC X 1.25 GR 5 ZP		
F	21578	BOLT – HH 1/2 NC X 2.25 LG GR 5 ZP		
G	100456	BOLT – RHSSN 3/8 NC X 1.00 LG GR 5 ZP		
H	21868	BOLT – RHSSN 1/2 NC X 1.0 GR 5 ZP		
J	30228	NUT – FLG DT SMOOTH FACE 0.375-16 UNC		
K	50186	NUT – FLG LOCK SM FACE DT 0.500-13 UNC GR5		
L	135156	NUT – HEX M12 X 1.75 ZP CLASS 10 STYLE 1		
M	20535	WASHER – FLAT		

6 Walking Beam

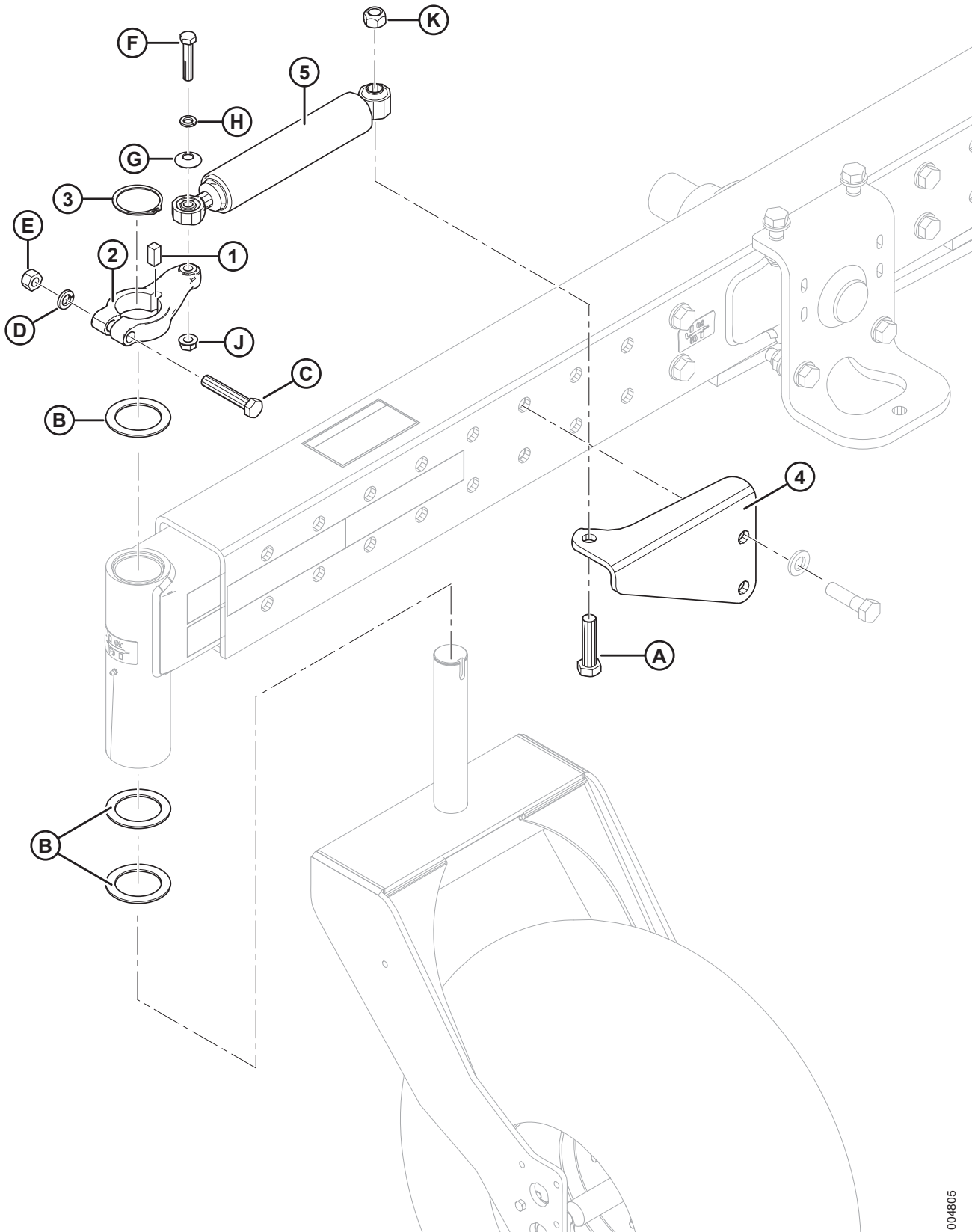


WALKING BEAM

Ref	Part Number	Description	Qty	Serial Number
1	167949	ASSEMBLY – BEAM EXTENSION, LH ²	1	
	167952	ASSEMBLY – BEAM EXTENSION, RH ²	1	
2	18671	FITTING – LUBE 1/4-28 UNF	2	
3	107201	BUSHING – SLEEVE	4	
4	183420	BEAM – CENTER ASSEMBLY ³	1	
5	161226	BUSHING (POLY) – SLEEVE	2	
6	110279	PIVOT WELDMENT	1	
7	209802	PLATE – REFLECTOR, LH ⁴	1	
	209803	PLATE – REFLECTOR, RH ⁴	1	
8	7536	FITTING – LUBRICATION 1/4-28 TAPER THD ⁵	1	–266819
A	21540	WASHER – HARDENED		
B	135225	BOLT – HEX HEAD 2-1/4 X 3/4-16 UNF		
C	112128	BOLT – HH 3/4-16 NF X 2.75 LG L9 ZN PL		
D	112129	NUT – HEX LOCK DT .750-16 UNF		
E	136209	SCREW – HEX WSHR M10 X 1.5 X 20-450HV		

-
2. Includes fitting (MD #18671), two bushing sleeves (MD #107201), and decal (MD #23165).
 3. Includes two bushings (MD #161226), decal (MD #109842), and reflectors (MD #115145, 115147).
 4. Includes reflectors (MD #115145, 115147).
 5. 2014 and prior only.

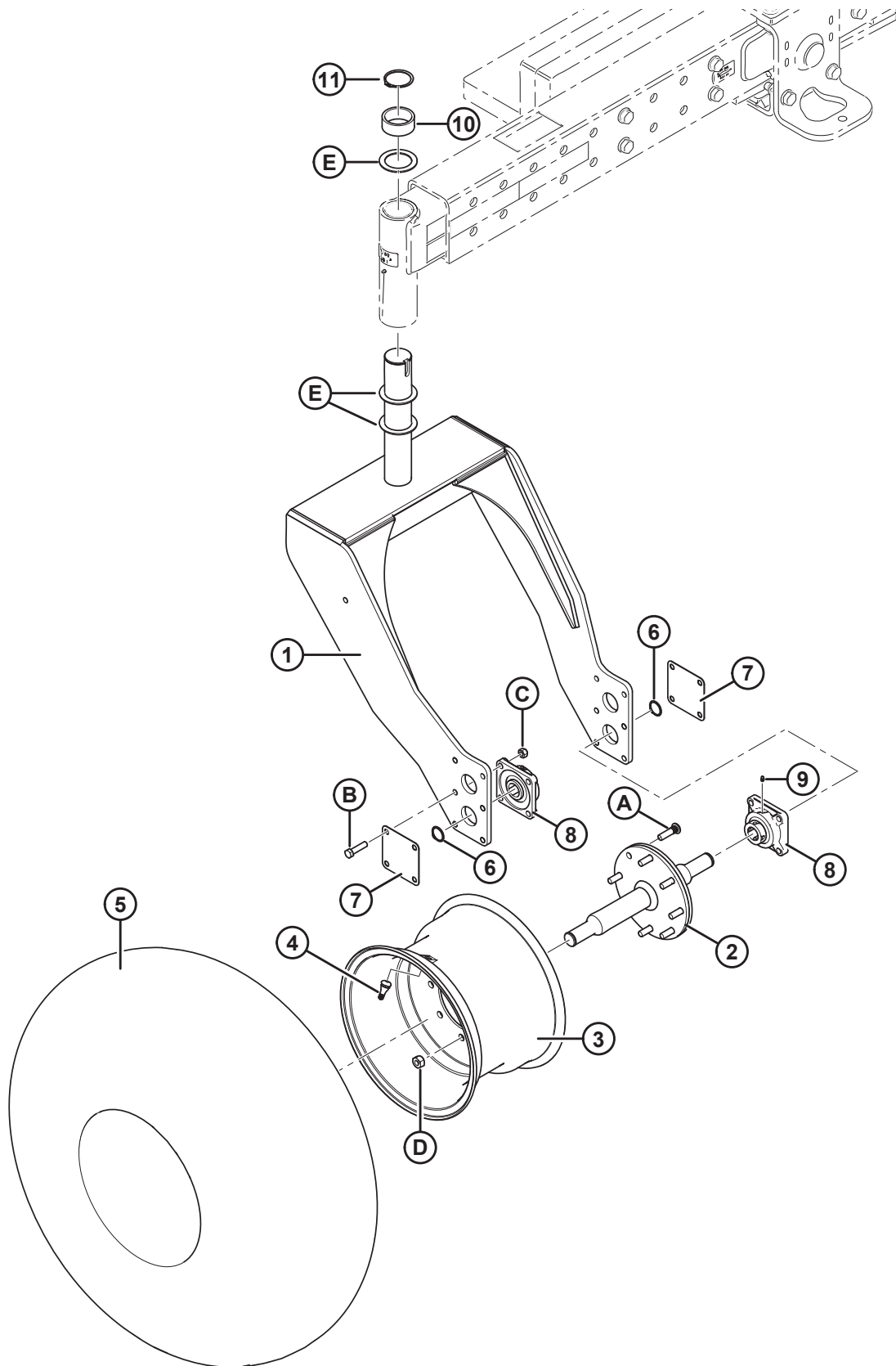
7 Anti-Shimmy



ANTI-SHIMMY

Ref	Part Number	Description	Qty	Serial Number
1	135296	KEY	2	
2	110615	ARM – ANTI SHIMMY MACHINED	2	
3	30243	RING – EXT RETAINING	2	
4	110597	BRACKET – LH SHOCK MOUNT	1	
	110598	BRACKET – RH SHOCK MOUNT	1	
5	110600	DAMPENER – ANTI SHIMMY	2	
A	30448	BOLT – HH 3/4 NC X 3.0 LG GR 5 ZP		
B	110584	WASHER – HARDENED FLAT		
C	21406	BOLT – HH 5/8 NC X 3.5 GR 5 ZP		
D	18639	WASHER – REG. LOCK 5/8 IN. NOM. I.D. ZP		
E	18666	NUT – HEX LOCK DT 5/8-11 UNC ZP		
F	135436	BOLT – HH 1/2 NC X 2.5 LG GR 8 ZP		
G	45157	WASHER – FORMED		
H	18638	WASHER – REG. LOCK 1/2 IN. NOM. I.D. ZP		
J	50186	NUT – FLG LOCK SM FACE DT 0.500-13 UNC GR 5		
K	18689	NUT – HEX LOCK DT .750-10 UNC		

8 Casters – Forked 16.5-16.1

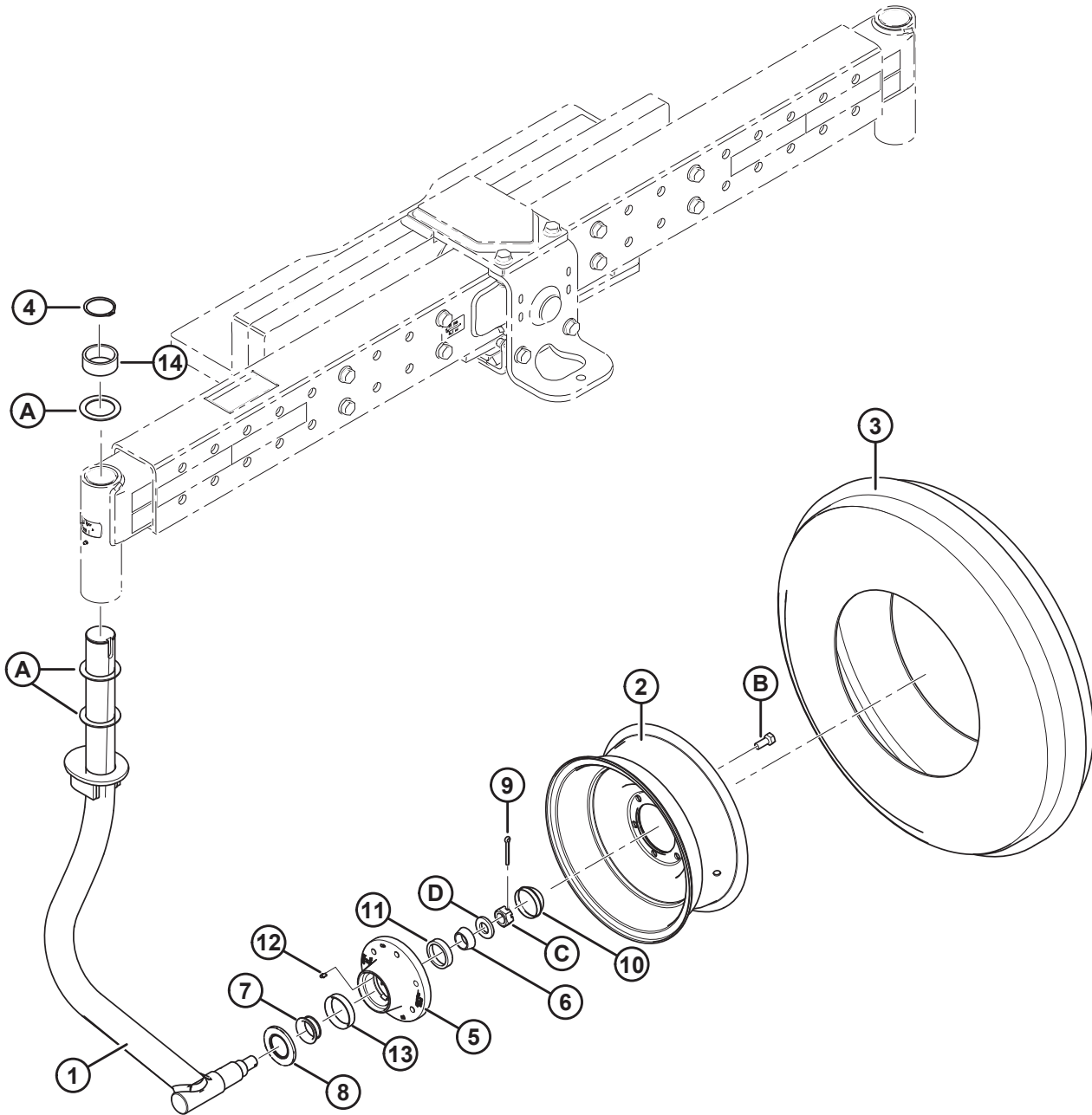


CASTERS – FORKED 16.5-16.1

Ref	Part Number	Description	Qty	Serial Number
	B4642	KIT – FORKED CASTERS (16.5-16.1) ⁶		
1	183414	CASTER – WELDMENT, C/W DECAL	2	
2	110848	SHAFT – WELDMENT	2	
3	111216	WHEEL	2	
4	21153	STEM – TIRE VALVE ASSEMBLY #TR – 415	2	
5	39273	TIRE	2	
6	135363	RING – RETAINING	4	
7	166067	PLATE – BEARING CAP	4	
8	135370	BEARING – ASSEMBLY	4	
	21936	BEARING – BALL		
9	18671	FITTING – LUBE	2	
10	161140	SPACER	2	
11	30243	RING – EXT RETAINING	2	
A	21357	BOLT – WHEEL (PRESS-IN) 9/16 NF X 53 LG		
B	21576	BOLT – HH 1/2 NC X 2.0 LG GR 5 ZP		
C	18697	NUT – HEX LOCK DT .500-13 UNC		
D	21358	NUT – WHEEL STUD 9/16 NF X 90°		
E	110584	WASHER – HARDENED FLAT		

6. Kits available through Whole Goods only.

9 Casters – Formed 7.5-16

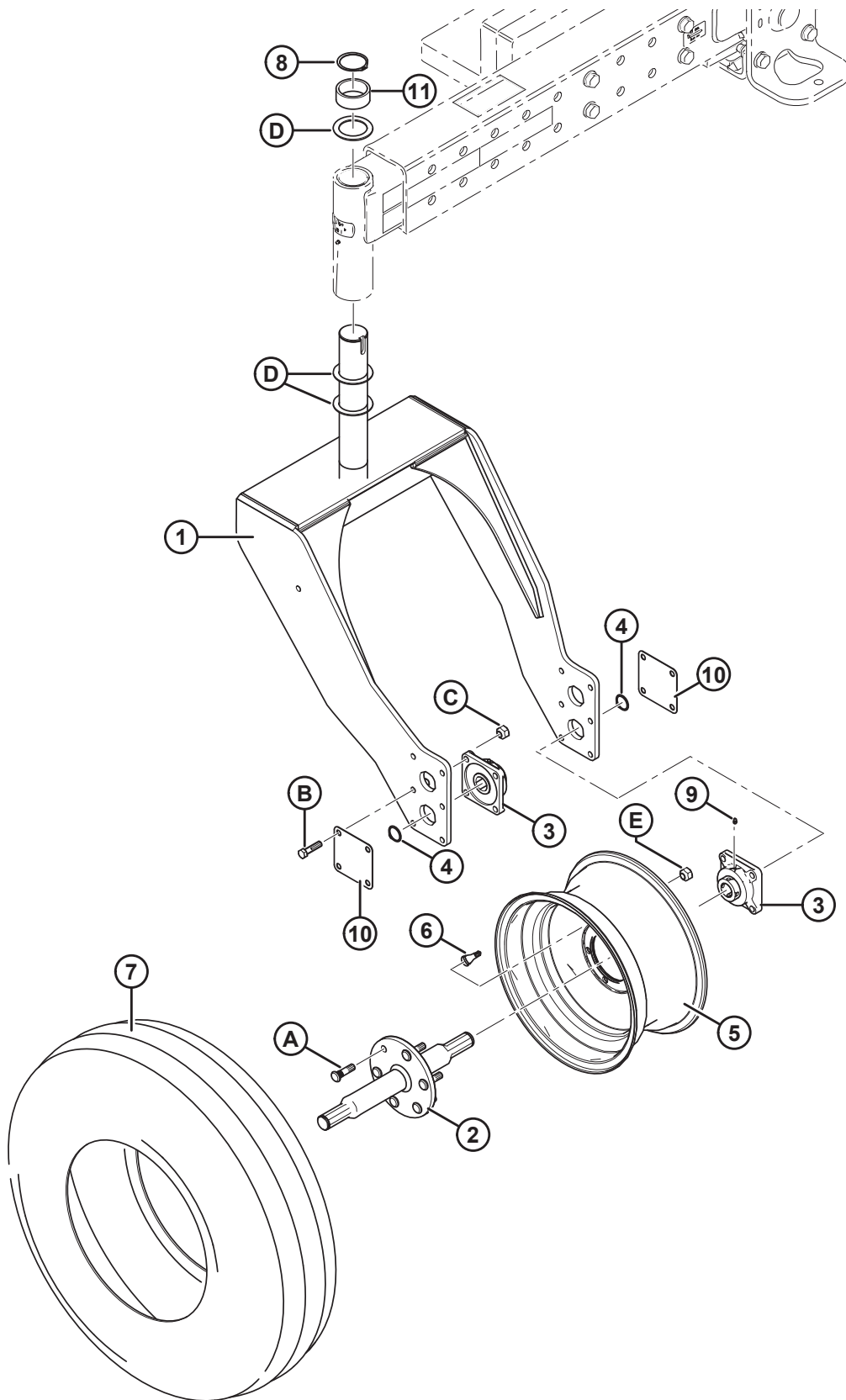


CASTERS – FORMED 7.5-16

Ref	Part Number	Description	Qty	Serial Number
	B4640	KIT – FORMED CASTERS (7.5-16) ⁷		
1	183416	CASTER – LH WELDT, C/W DECAL	1	
	183418	CASTER – RH WELDT, C/W DECAL	1	
2	112438	WHEEL – 16 X 6 LB	2	
3	166228	TIRE – 7.50-16 8 PLY	2	
	112442	TUBE – INNER TIRE	2	
4	30243	RING – EXT RETAINING	2	
5	140246	HUB – C/W BEARING CUPS AND GREASE FITTING	2	
6	30702	BEARING – CONE	2	
7	140247	BEARING – CONE ROLLER	2	
8	140248	SEAL – GREASE	2	
9	18608	PIN – COTTER 3/16 DIA X 1.5 ZP	2	
10	140250	CAP – DUST	2	
11	30701	CUP – OUTER	2	
12	50174	FITTING – LUBE, DRIVE TYPE	2	
13	140249	CUP – INNER	2	
14	161140	SPACER	2	
A	110584	WASHER – HARDENED FLAT		
B	18916	BOLT – 90° WHEEL 9/16 NF X 1.75 OL		
C	19878	NUT – HEX SLOTTED 1.00-14 UNF		
D	31774	WASHER – FLAT		

7. Kits available through Whole Goods only.

10 Casters – Forked 10 x 16



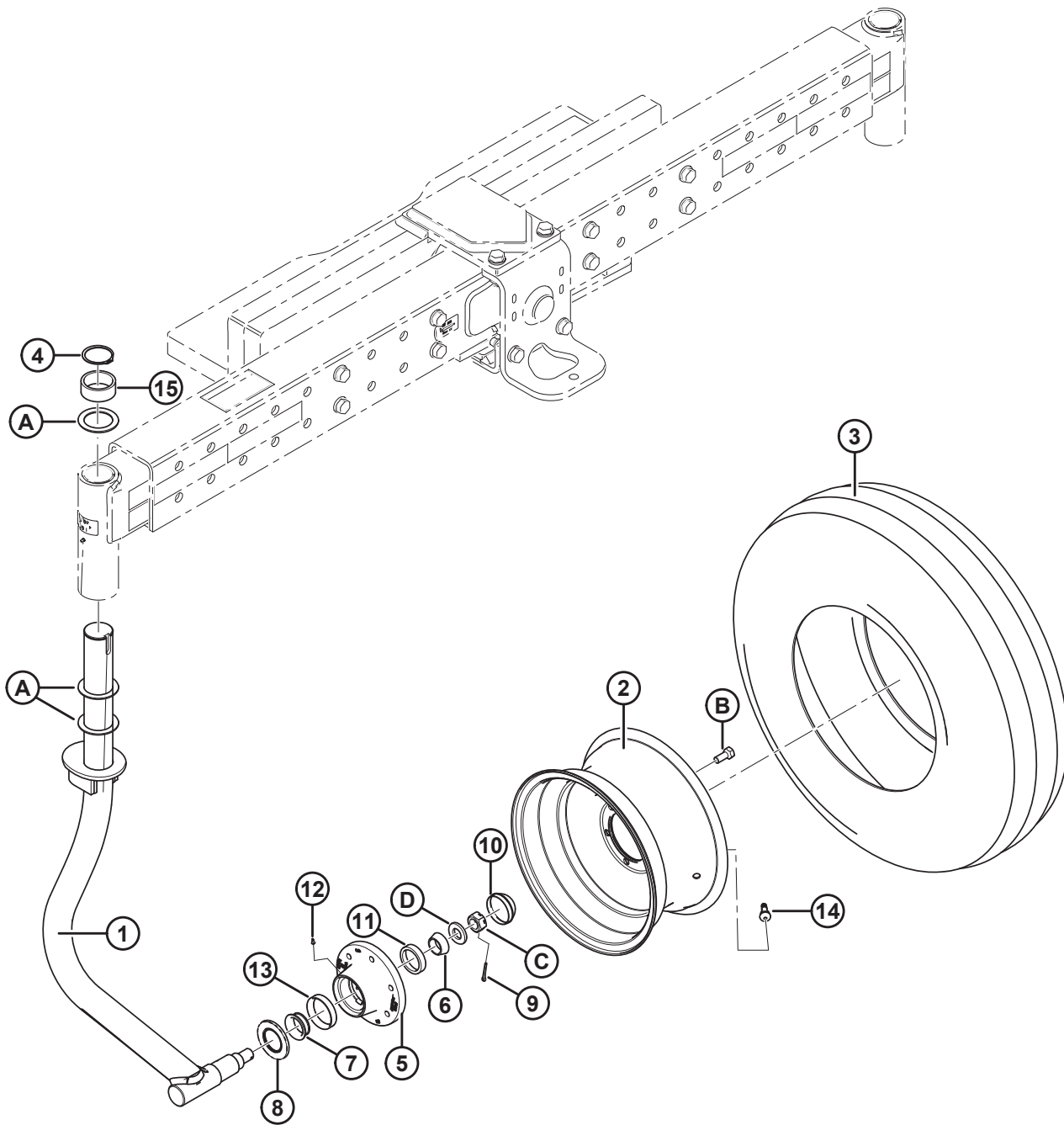
CASTERS – FORKED 10 X 16

Ref	Part Number	Description	Qty	Serial Number
	B4641	KIT – FORKED CASTERS (10 X 16) ⁸		
1	183414	CASTER – WELDMENT, C/W DECAL	2	
2	110756	SHAFT – WELDMENT	2	
3	135370	BEARING – ASSEMBLY	4	
	21936	BEARING – BALL SPH O.D C/W LC 1 3/8 IN. BORE		
4	135363	RING – RETAINING	4	
5	149817	WHEEL	2	
6	21153	STEM – TIRE VALVE ASSEMBLY #TR – 415	2	
7	149818	TIRE – 10.00 X 16, 8 PLY	2	
8	30243	RING – EXT RETAINING	2	
9	18671	FITTING – LUBE 1/4-28 UNF	4	
10	166067	PLATE – BEARING CAP	4	
11	161140	SPACER ⁹	2	
A	21357	BOLT – WHEEL (PRESS-IN) 9/16 NF X 53 LG		
B	21576	BOLT – HH 1/2 NC X 2 LG GR 5 ZP		
C	18697	NUT – HEX LOCK DT .500-13 UNC		
D	110584	WASHER – HARDENED FLAT		
E	21358	NUT – WHEEL STUD 9/16 NF X 90°		

8. Kits available through Whole Goods only.

9. For units without anti-shimmy assembly.

11 Casters – Formed 10 x 16



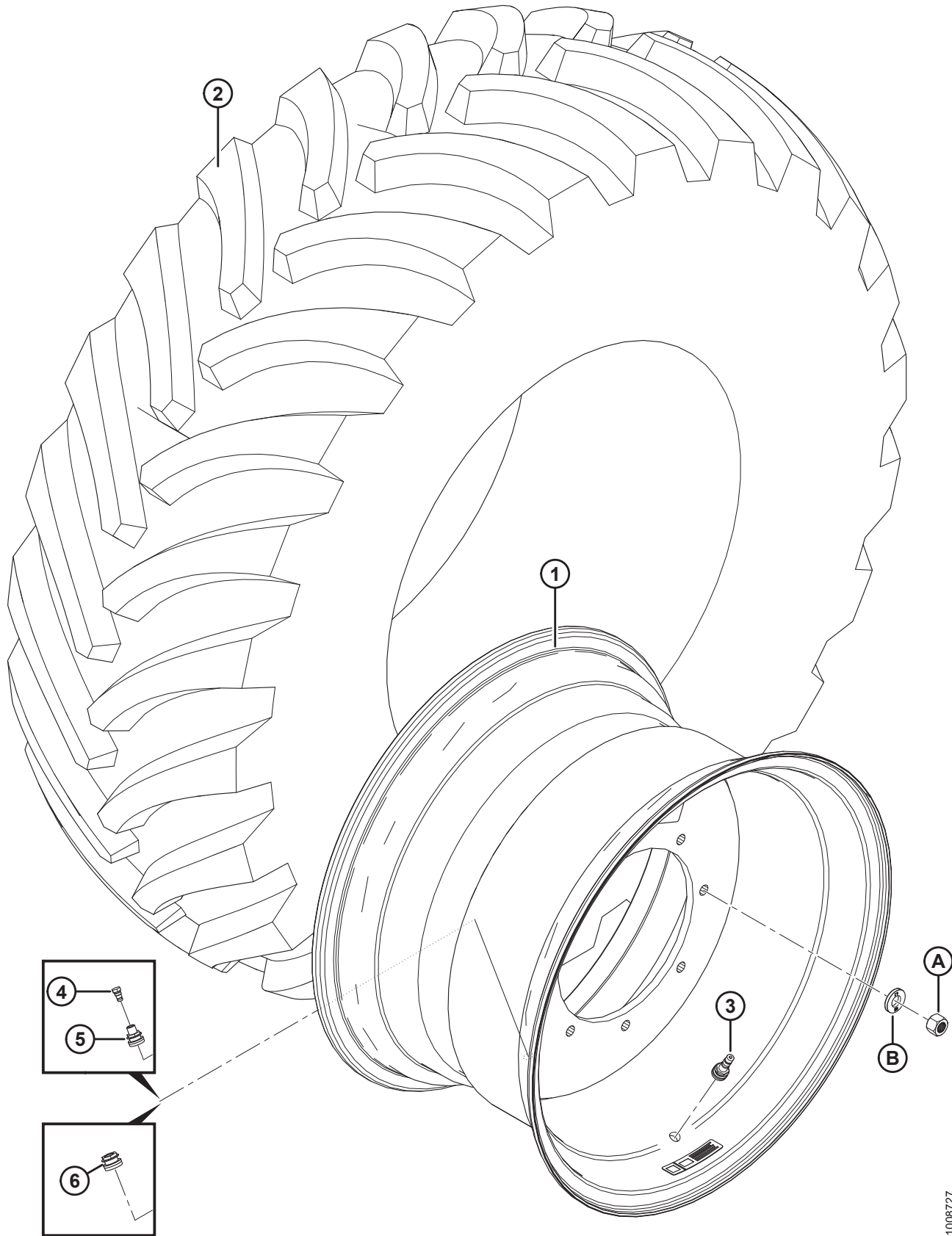
CASTERS – FORMED 10 X 16

Ref	Part Number	Description	Qty	Serial Number
	B4643	KIT – FORMED CASTERS (10 X 16) ¹⁰		
1	183416	CASTER – LH WELDT, C/W DECAL	1	
	183418	CASTER – RH WELDT, C/W DECAL	1	
2	149817	WHEEL – 10 X 16	2	
3	149818	TIRE – 10 X 16, 8 PLY	2	
4	30243	RING – EXT RETAINING	2	
5	140246	HUB – C/W BEARING CUPS AND GREASE FITTING	2	
6	30702	BEARING – CONE	2	
7	140247	BEARING – CONE ROLLER	2	
8	140248	SEAL – GREASE	2	
9	18608	PIN – COTTER 3/16 DIA X 1.5 ZP	2	
10	140250	CAP – DUST	2	
11	30701	CUP – OUTER	2	
12	50174	FITTING – LUBE, DRIVE TYPE	2	
13	140249	CUP – INNER	2	
14	21153	STEM – TIRE VALVE ASSEMBLY #TR – 415	2	
15	161140	SPACER ¹¹	2	
A	110584	WASHER – HARDENED FLAT		
B	18916	BOLT – 90° WHEEL 9/16 NF X 1.75 OL		
C	19878	NUT – HEX SLOTTED 1.00-14 UNF		
D	31774	WASHER – FLAT		

10. Kits available through Whole Goods only.

11. For units without anti-shimmy assembly.

12 Drive Wheels and Tires – Eight Bolt



DRIVE WHEELS AND TIRES – EIGHT BOLT

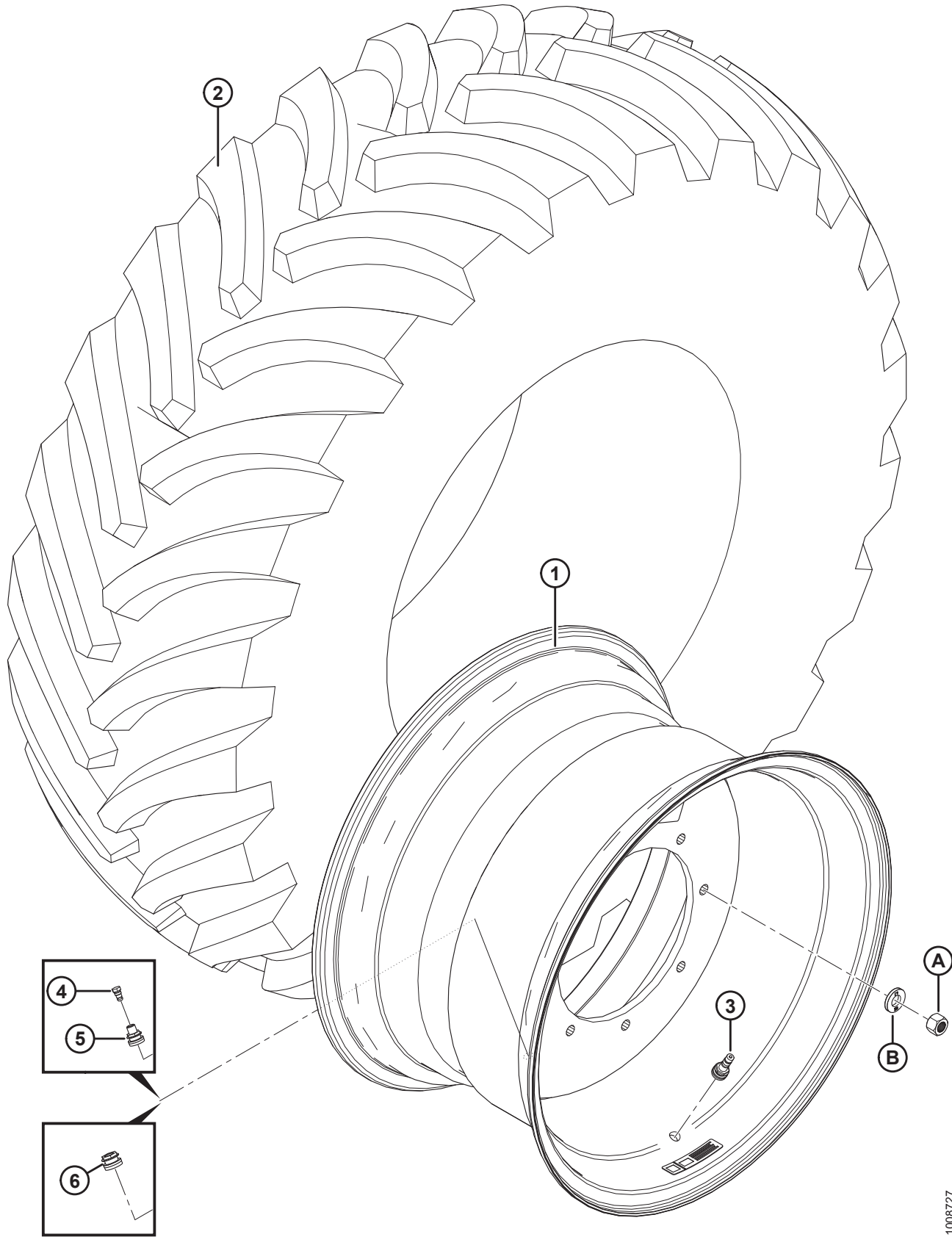
Ref	Part Number	Description	Qty	Serial Number
	B4632	KIT – DRIVE TIRES, TURF 23.1-26 ¹²		
1	111699	WHEEL – 26DW-20L C/W DECALS	2	
2	111695	TIRE – 23.1 X 26 R3 10 PLY	2	
3	112475	STEM	2	
6	162436	PLUG – WHEEL	2	
	B4944	KIT – DRIVE TIRES, BAR 600-65 R28 ¹²		
1	162019	WHEEL – 28 X 18 C/W DECALS	2	
2	162022	TIRE – 600-65 R28 BAR TREAD	2	
3	112475	STEM – VALVE (METAL)	2	
	B4634	KIT – DRIVE TIRES, TURF 18.4-26 ¹²		
1	162295	WHEEL – 26DW-16L C/W DECALS AND VALVE STEMS (REVERSIBLE)	2	
2	163601	TIRE – 18.4 X 26-R3, TURF	2	
3	112475	STEM – VALVE (METAL)	2	
4	135611	PLUG – VALVE STEM	2	
5	162435	SPUD – WHEEL	2	
A	REF	NUT – HEX L9 5/8-18-L9-ZP ¹³		
B	REF	WASHER – FLAT HARDENED 5/8 IN. NOMINAL (L9) ¹³		
	166729	KIT – SERVICE L9 DRIVE WHEEL HARDWARE ¹⁴		

12. Kits available through Whole Goods only.

13. Not serviced individually; service with kit MD #166729.

14. Kit replaces any previous nut for the eight-bolt configuration to eliminate any possible bolt loosening. Includes: 16 nuts (A), 16 washers (B), decals, and instructions.

DRIVE WHEELS AND TIRES – EIGHT BOLT



1008727

DRIVE WHEELS AND TIRES – EIGHT BOLT

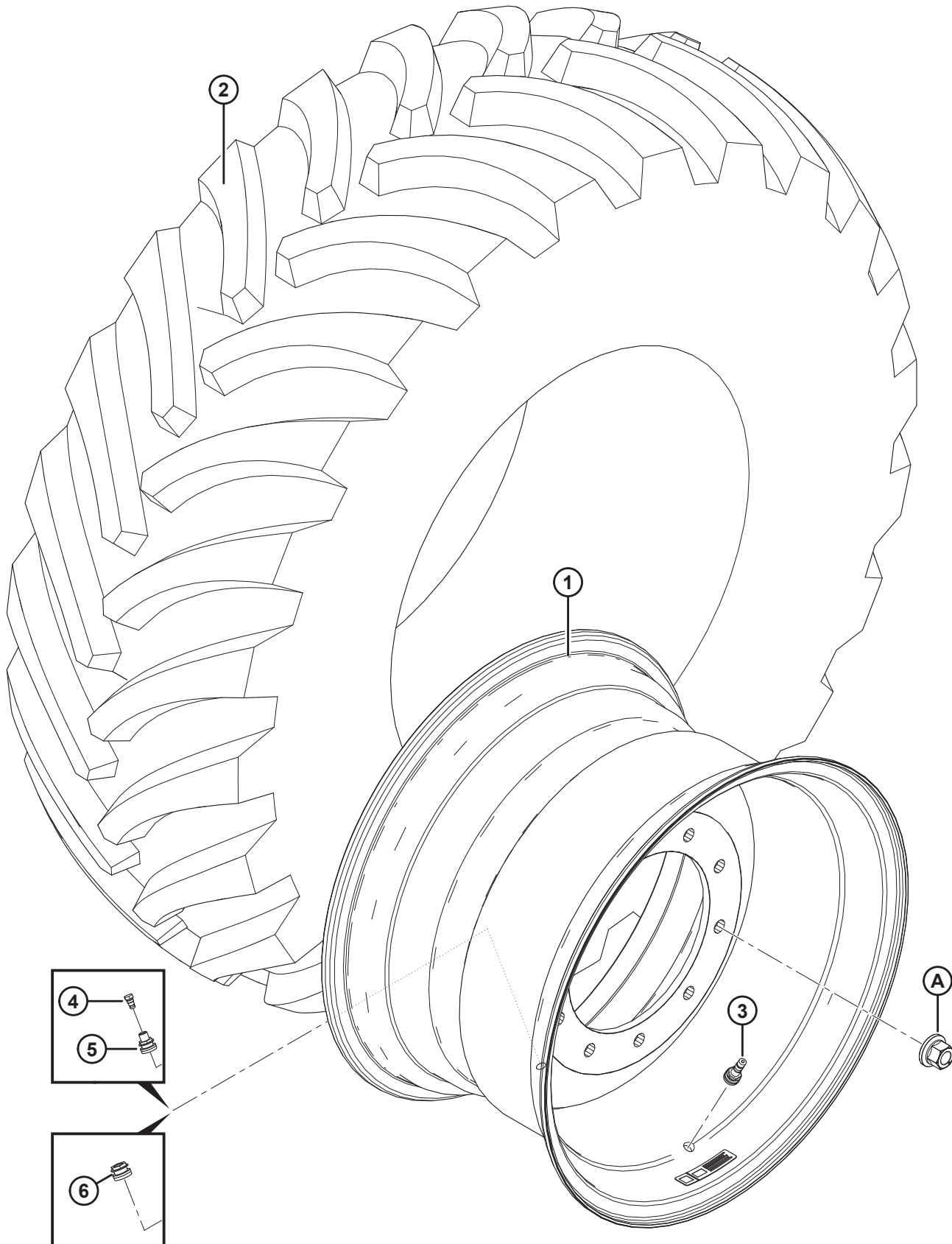
Ref	Part Number	Description	Qty	Serial Number
	B4633	KIT – DRIVE TIRES, BAR 18.4-26 ¹⁵		
1	162295	WHEEL – 26DW-16L C/W DECALS AND VALVE STEMS (REVERSIBLE)	2	
2	111694	TIRE – 18.4 X 26 R1, BAR	2	
3	112475	STEM – VALVE (METAL)	2	
4	135611	PLUG – VALVE STEM	2	
5	162435	SPUD – WHEEL	2	
	B5506	KIT – DRIVE TIRES, TURF 580-70R 26 ¹⁵		
1	111699	WHEEL – 26DW-20L C/W DECALS	2	
2	162431	TIRE – 580-70R26, TURF RADIAL	2	
3	112475	STEM – VALVE (METAL)	2	
4	135611	PLUG – VALVE STEM	2	
A	REF	NUT – HEX L9 5/8-18-L9-ZP ¹⁶		
B	REF	WASHER – FLAT HARDENED 5/8 IN. NOMINAL (L9) ¹⁶		
	166729	KIT – SERVICE L9 DRIVE WHEEL HARDWARE ¹⁷		

15. Kits available through Whole Goods only.

16. Not serviced individually; service with kit MD #166729.

17. Kit replaces any previous nut for the eight-bolt configuration to eliminate any possible bolt loosening. Includes: 16 nuts (A), 16 washers (B), decals, and instructions.

13 Drive Wheels and Tires – Ten Bolt



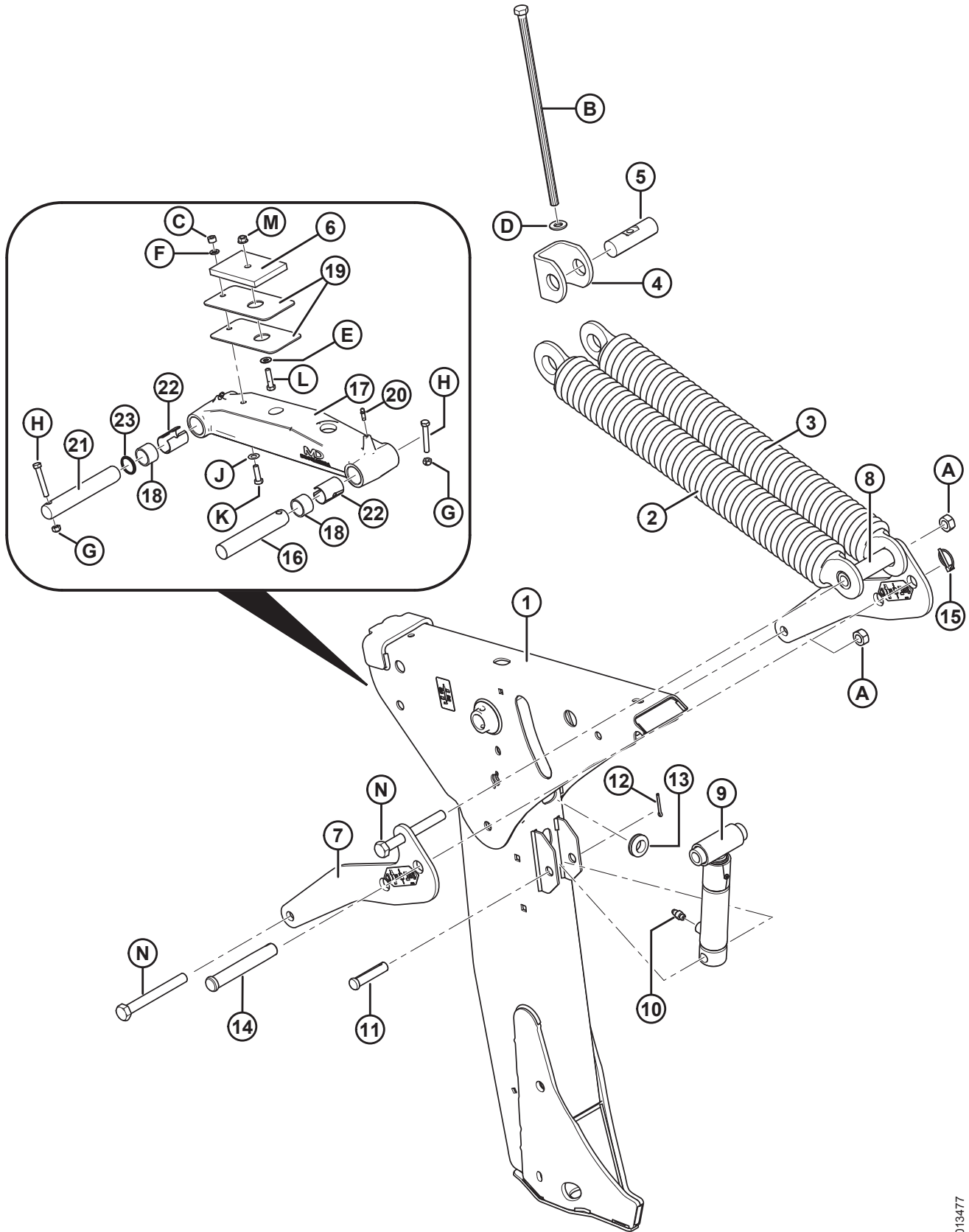
DRIVE WHEELS AND TIRES – TEN BOLT

Ref	Part Number	Description	Qty	Serial Number
	B5888	KIT – DRIVE TIRES, BAR 600-65 R28 ¹⁸		
1	204985	WHEEL – 28 X 18 C/W DECALS	2	
2	162022	TIRE – 600-65 R28 BAR TREAD	2	
3	112475	STEM – VALVE (METAL)	2	
	B5889	KIT – DRIVE TIRES, BAR 18.4-26 ¹⁸		
1	204993	WHEEL – 26DW-16L C/W DECALS AND VALVE STEMS (REVERSIBLE)	2	
2	201784	TIRE – 18.4 X 26 R1, BAR	2	
3	112475	STEM – VALVE (METAL)	2	
4	135611	PLUG – VALVE STEM	2	
5	162435	SPUD – WHEEL	2	
	B5890	KIT – DRIVE TIRES, TURF 23.1-26 ¹⁸		
1	205009	WHEEL – 26DW-20L C/W DECALS	2	
2	201785	TIRE – 23.1 X 26 R3 16 PLY	2	
3	112475	STEM	2	
6	162436	PLUG – WHEEL	2	
	B5891	KIT – DRIVE TIRES, TURF 18.4-26 ¹⁸		
1	204993	WHEEL – 26DW-16L C/W DECALS AND VALVE STEMS (REVERSIBLE)	2	
2	204938	TIRE – 18.4 X 26 R3, TURF	2	
3	112475	STEM – VALVE (METAL)	2	
4	135611	PLUG – VALVE STEM	2	
5	162435	SPUD – WHEEL	2	
A	205397	NUT – WHEEL DIN 74361N M20 X 1.5 X GR10.9 ¹⁹		

18. Kits available through Whole Goods only.

19. Not serviced individually; nut (MD #205397) must be ordered in multiples of 10 only.

14 Lift Linkage



LIFT LINKAGE

Ref	Part Number	Description	Qty	Serial Number
	B5303	KIT – INTERNAL BOOSTER SPRING ²⁰		
1	166446	ARM – ASSY LH, C/W 2 PANEL DECAL AND LOWER PIN	1	
	166447	ARM – ASSY RH, C/W 2 PANEL DECAL AND LOWER PIN	1	
2	112751	ASSEMBLY – SPRING (SINGLE) ²¹	3	
3	163643	ASSEMBLY – SPRING (INNER AND OUTER)	1	
4	44601	CLEVIS	2	
5	44995	PIN – STRAIGHT	2	
6	42497	PAD – RUBBER	2	
7	166713	ARM – FLOAT ADJUST, C/W DECALS ²²	4	
8	112916	TUBE – PIVOT	4	
9	208642	CYLINDER – FLOAT ADJUST	2	
10	112184	FITTING – ADAPTER HYD	2	
11	30464	PIN – CLEVIS	2	
12	18608	PIN – COTTER 3/16 DIA X 1.5 ZP	2	
13	112640	GROMMET	4	
14	112752	PIN – CLEVIS	2	
15	102264	PIN – LYNCH 3/16 X 1–9/16 IN.	2	
16	183820	PIN – FLOAT LINK	2	
17	112727	ARM – FLOAT LINK ASSEMBLY ²³	2	
18	112789	BEARING – NEEDLE	8	
19	110853	SHIM – LINKAGE	4	
20	7536	FITTING – LUBRICATION 1/4–28 TAPER THD	4	
21	183821	PIN – STRAIGHT	2	
22	163310	SPACER – FLOAT LINK ARM	4	
23	139134	SEAL – 1.25 IN. I.D. X 1.5 IN. O.D. X 0.125 IN.	4	

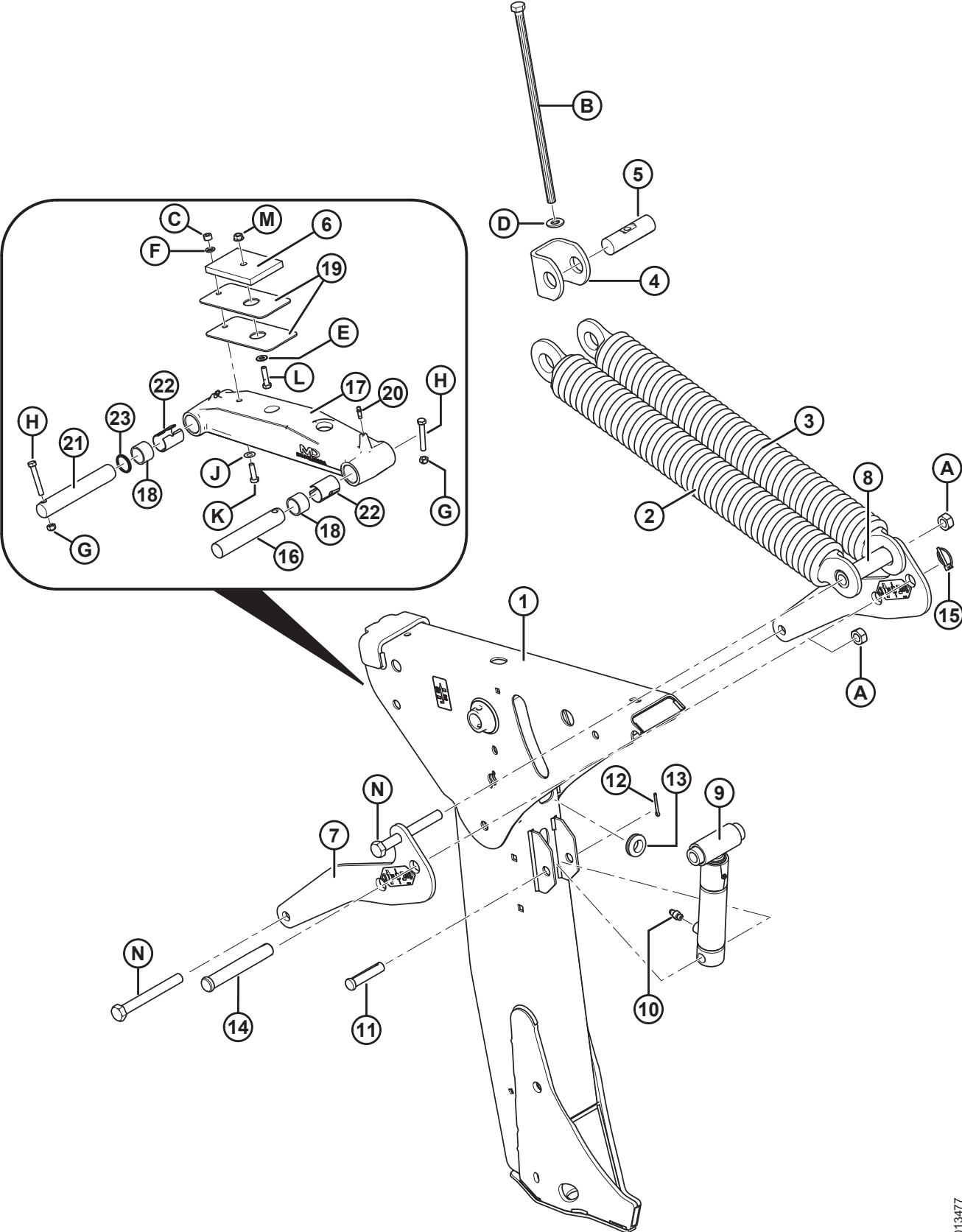
20. Can be installed on RH side of windrower to increase float capacity. Standard equipment on LH side of M205. Kits available through Whole Goods only.

21. Complete assembly.

22. Use to service MD #112732. To order decal separately, refer to Section [80 Decals – Information and Reflectors, page 229](#).

23. Includes four needle bearings (MD #112789), two spacers (MD #163310), and two seals (MD #139134).

LIFT LINKAGE

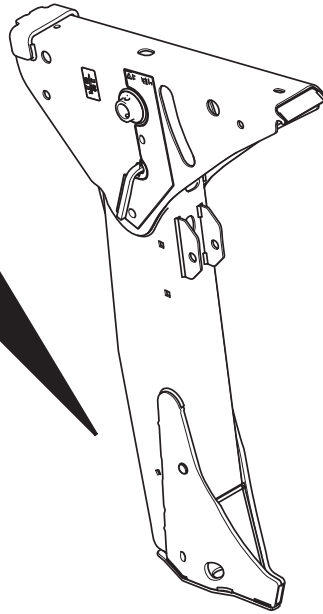
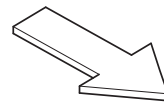
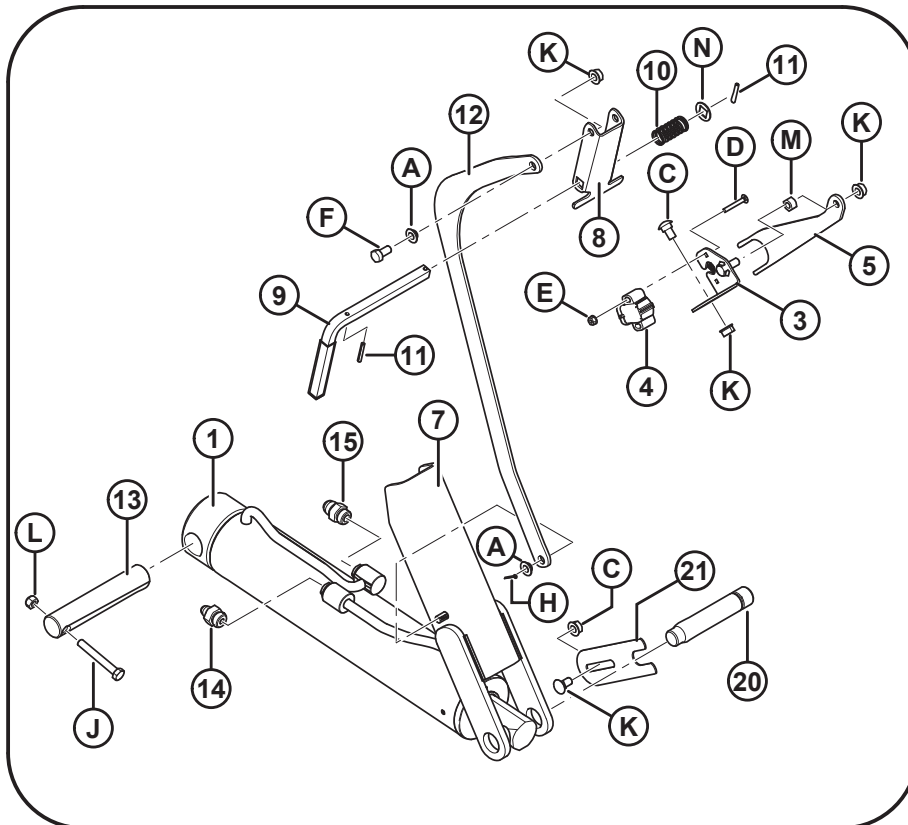
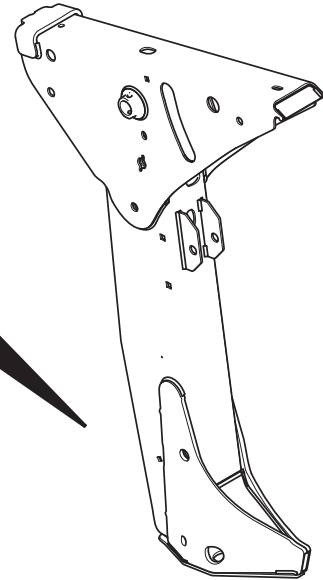
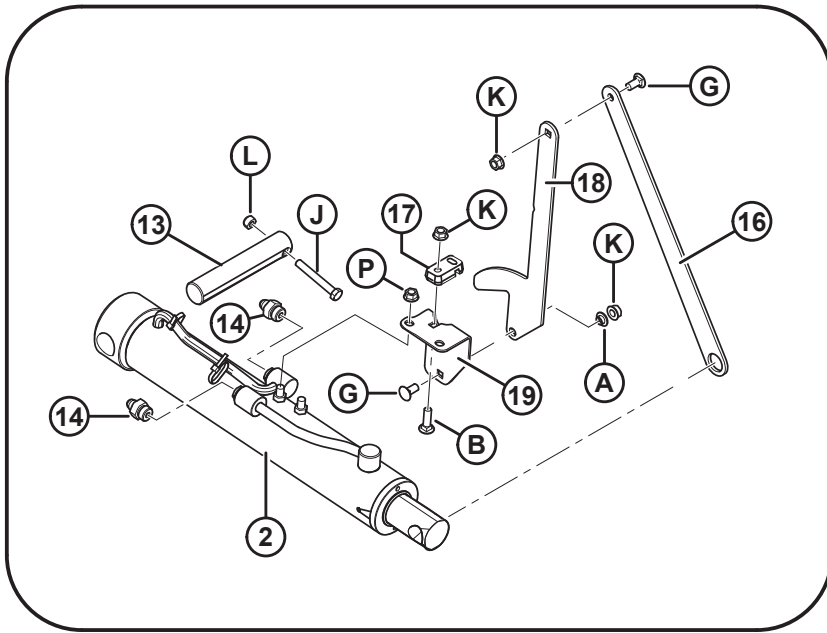


1013477

LIFT LINKAGE

Ref	Part Number	Description	Qty	Serial Number
A	102636	NUT – HEX DT .750-10 UNC		
B	112740	BOLT – HH WELDT		
C	18590	NUT – HEX 3/8-16 UNC GR 5 ZP		
D	30441	WASHER – HARDENED		
E	18598	WASHER – SAE FLAT 13/32 I.D. X 13/16 IN. O.D. ZP		
F	18637	WASHER – REG. LOCK 3/8 IN. NOM. I.D. ZP		
G	18669	NUT – HEX LOCK DT 3/8-16 UNC ZP		
H	21102	BOLT – HH 3/8 NC X 2.5 LG GR 5 ZP		
J	20535	WASHER – FLAT		
K	21264	BOLT – HH 3/8 NC X 1.25 LG GR 5 ZP		
L	21561	BOLT – HH 3/8 NC X 1.5 LG GR 5 ZP		
M	30228	NUT – FLG DT SMTH FACE 0.375-16 UNC		
N	30387	BOLT – HH 3/4 NC X 6.5 LG GR 5 ZP		

15 Lift Linkage Cylinders



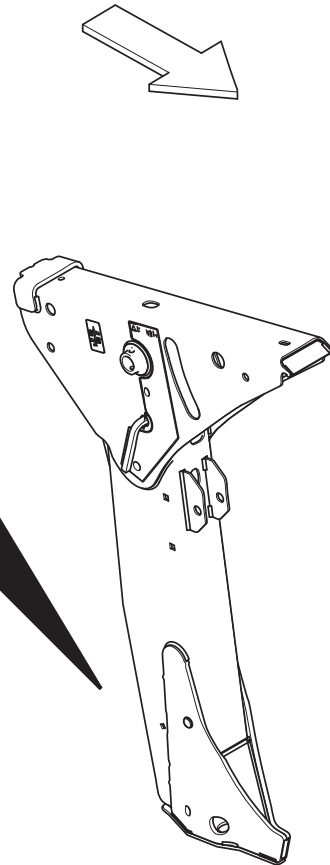
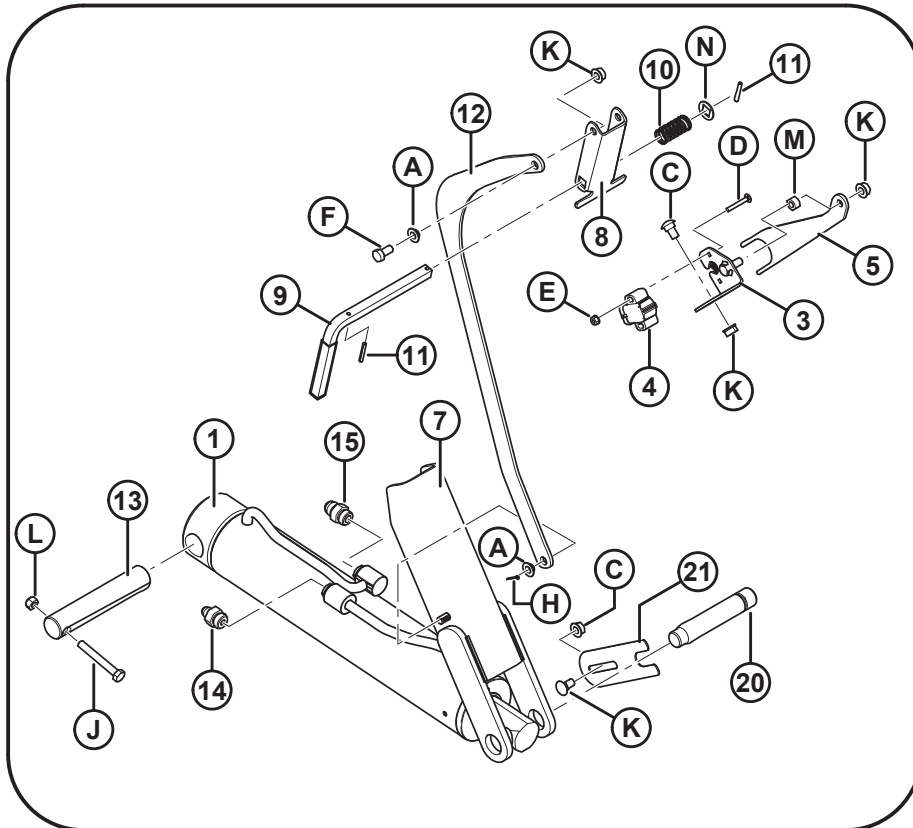
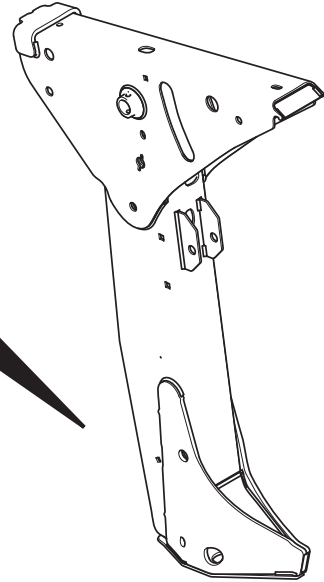
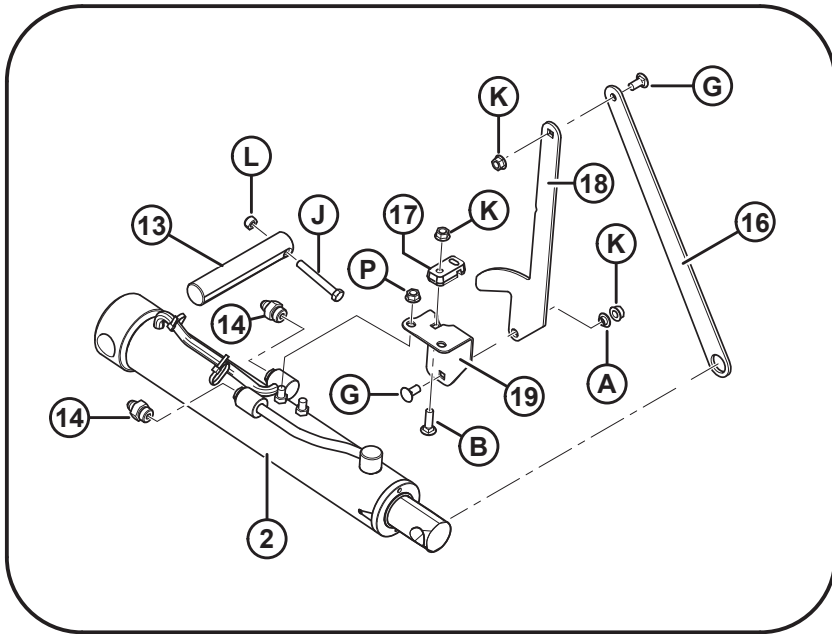
LIFT LINKAGE CYLINDERS

Ref	Part Number	Description	Qty	Serial Number
1	208647	CYLINDER – MASTER, 3.25 IN. BORE	1	
	183427	SEAL KIT		
2	208648	CYLINDER – SLAVE, 2.75 IN. BORE	1	
	183428	SEAL KIT		
3	112995	SUPPORT – SENSOR	2	
4	109904	SENSOR FLOAT – ROTARY	2	
5	112994	ARM – FLOAT SENSOR	2	
7	112798	LOCK – HEADER	2	
8	112907	CHANNEL – LOCK RELEASE	2	
9	183543	SHAFT – C/W HANDLE GRIP	2	
10	19739	SPRING – COMPRESSION	2	
11	13617	PIN – SPRING 3/16 DIA X 1.25 LG	4	
12	112908	ARM – LOCKUP LINK	2	
13	112759	PIN – STRAIGHT	2	
14	21804	FITTING – CONNECTOR HYD #6	3	
15	21030	FITTING – CONNECTOR HYD #8	1	
16	112804	BAR – HEIGHT SENSOR LINK	1	
17	206661	SENSOR – ANALOG, HEIGHT ²⁴	1	321190–
	183846	KIT – SENSOR, HALL EFFECT ²⁵	A/R	–321189
18	112803	BAR – HEIGHT SENSOR LINK	1	
19	163676	SUPPORT – HEIGHT SENSOR	1	
20	138772	PIN – RETAINING, LOWER	2	
21	138773	PLATE – PIN RETAINER	2	

24. Service part for units made in 2018 model year and later.

25. Service part for units made in 2017 model year and prior.

LIFT LINKAGE CYLINDERS

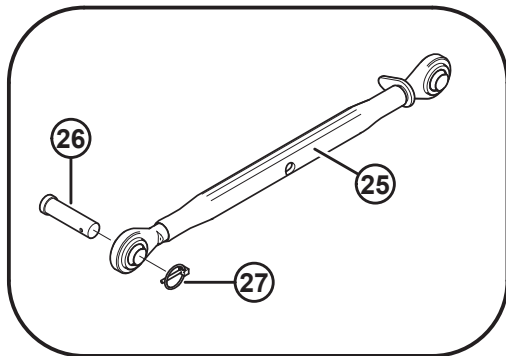
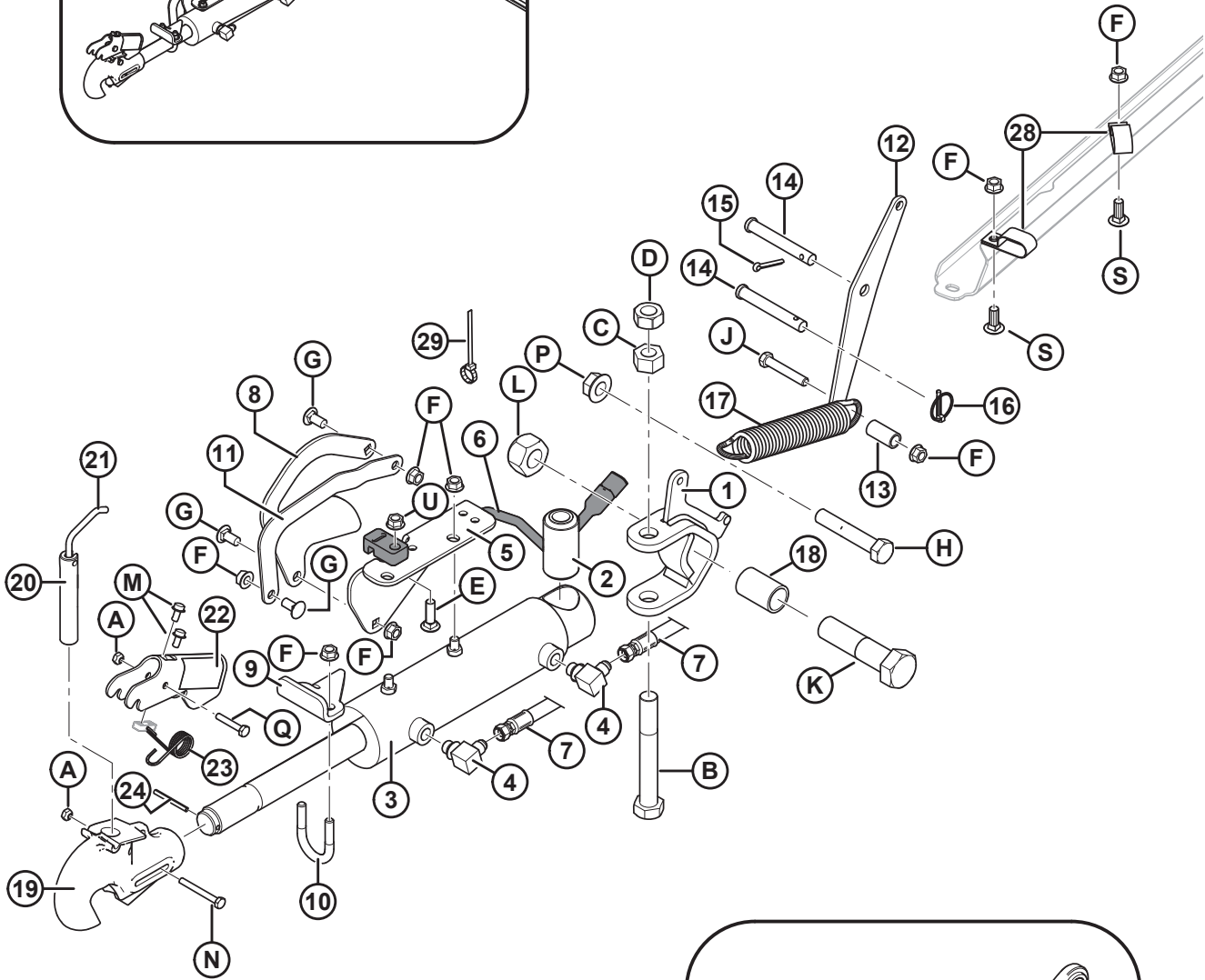
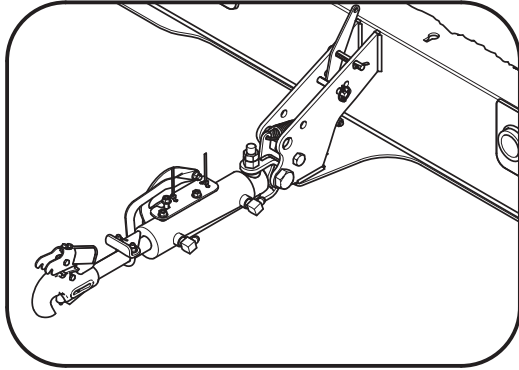


1025123

LIFT LINKAGE CYLINDERS

Ref	Part Number	Description	Qty	Serial Number
A	135281	WASHER – SHOULDER, NYLON		
B	152732	BOLT – RHSN M10 X 1.5 X 40-8.8-A3L		
C	21472	BOLT – RHSN 3/8 NC X 0.75 GR 5 ZP		
D	21487	BOLT – RHSN #10-24 NCX 1.5 IN. L		
E	21492	NUT – FLG (SER FACE) #10 NC GR 5 ZP		
F	21567	BOLT – HEX HD .375-16 UNC X 0.75 LG		
G	21863	BOLT – RHSSN 3/8 NC X 0.75 LG GR 5 ZP		
H	18604	PIN – COTTER, 3/32 X 3/4 IN.		
J	30035	BOLT – HH 3/8 NC X 2.75 LG GR 5 ZP		
K	30228	NUT – FLG DT SMOOTH FACE 0.375-16 UNC		
L	18669	NUT – HEX LOCK DT 3/8-16 UNC ZP		
M	18590	NUT – HEX 3/8-16 UNC GR 5 ZP		
N	163373	WASHER – FLAT RD (SQUARE BORE)		
P	135799	NUT – HEX FLG CTR LOC M10 X 1.5-10		

16 Center-Link



CENTER-LINK

Ref	Part Number	Description	Qty	Serial Number
	B4650	KIT – HYDRAULIC CENTER-LINK ²⁶		
	B4665	KIT – MECHANICAL CENTER-LINK ²⁷		
1	110824	CLEVIS – WELD'T	1	
2	30574	BUSHING – RUBBER	1	
3	163466	CYLINDER – CENTER-LINK ²⁸	1	
	112625	SEAL KIT – CYLINDER	1	
4	30282	FITTING – ELBOW 90° HYD	2	
5	163396	SUPPORT – TILT SENSOR	1	
6	206661	SENSOR – ANALOG, HEIGHT ²⁹	1	321190–
	183846	KIT – SENSOR, HALL EFFECT ³⁰	A/R	–321189
7	172986	HOSE – HYD, 1/4 IN. I.D., 1913 MM LG, METAL REIN.	2	
8	112901	LINK – TILT SENSOR	1	
9	112691	SUPPORT	1	
10	112973	U-BOLT	1	
11	112903	LINK – TILT SENSOR	1	
12	166753	BAR – SPRING	2	
13	17675	SPACER	1	
14	101007	PIN – CLEVIS	2	
15	18648	PIN – COTTER 3/16 DIA X 1.25 ZP	1	
16	50193	PIN – LYNCH	1	
17	9423	SPRING – EXTENSION	1	
18	110971	SPACER – 1.25 O.D. X 1.0 I.D.	1	
19	156849	HOOK ASSEMBLY ³¹	1	
20	156848	PIN – LOCK	1	
21	156886	ROD – ACTUATOR	1	
22	139724	LATCH – HANDLE	1	

26. Kits available through Whole Goods only.

27. When installing optional hydraulic center-link kit B4650, it will be necessary to also install Auxiliary Valve Kit B5269. Kits available through Whole Goods only.

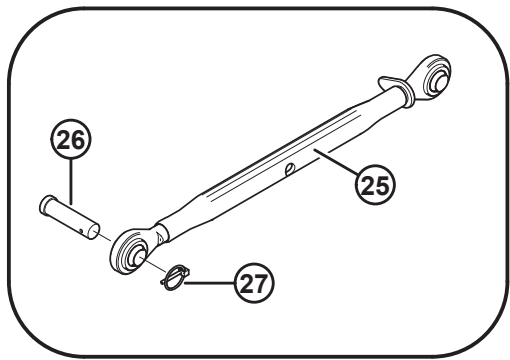
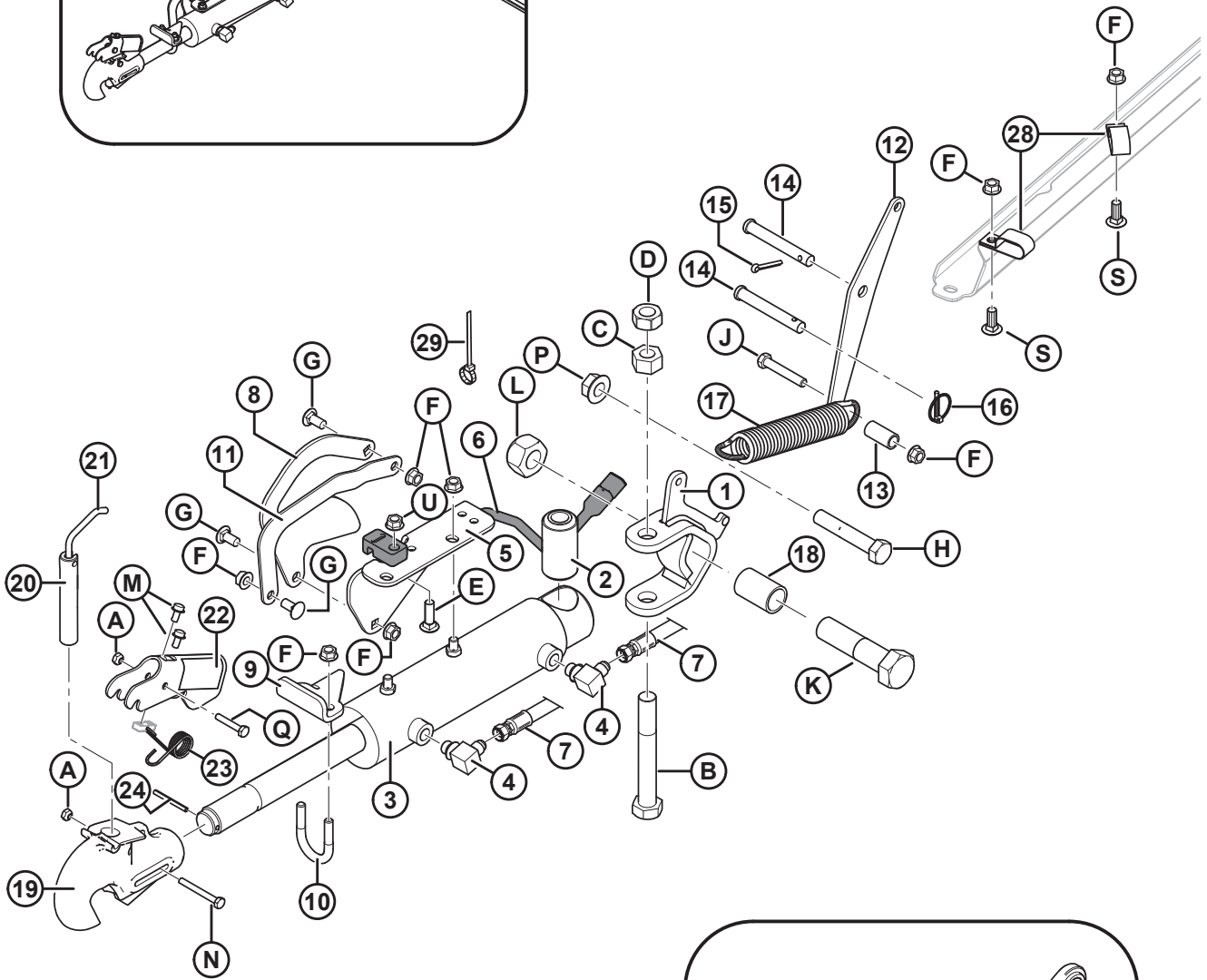
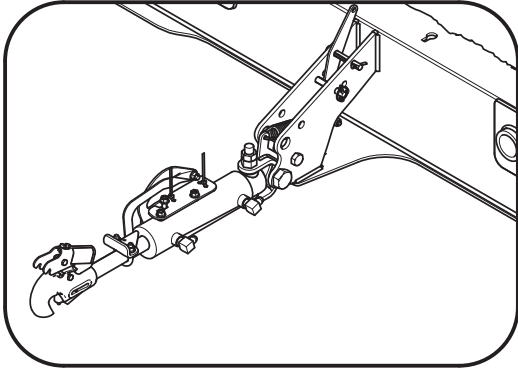
28. Includes bushing (MD #30574).

29. Service part for units made in 2018 model year and later.

30. Service part for units made in 2017 model year and prior.

31. Includes lock pin (MD #156848), actuator rod (MD #156886), latch handle (MD #139724), latch assembly spring (MD #133209), and hardware.

CENTER-LINK

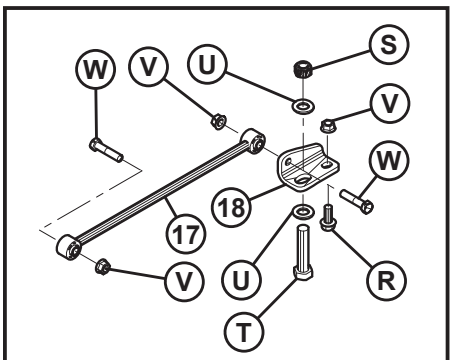
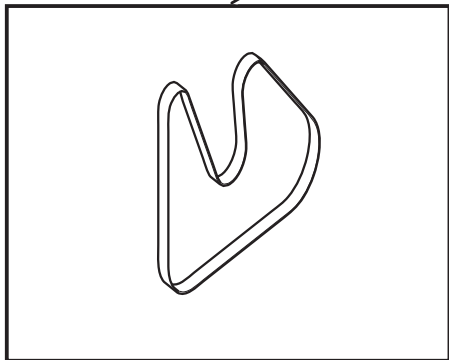
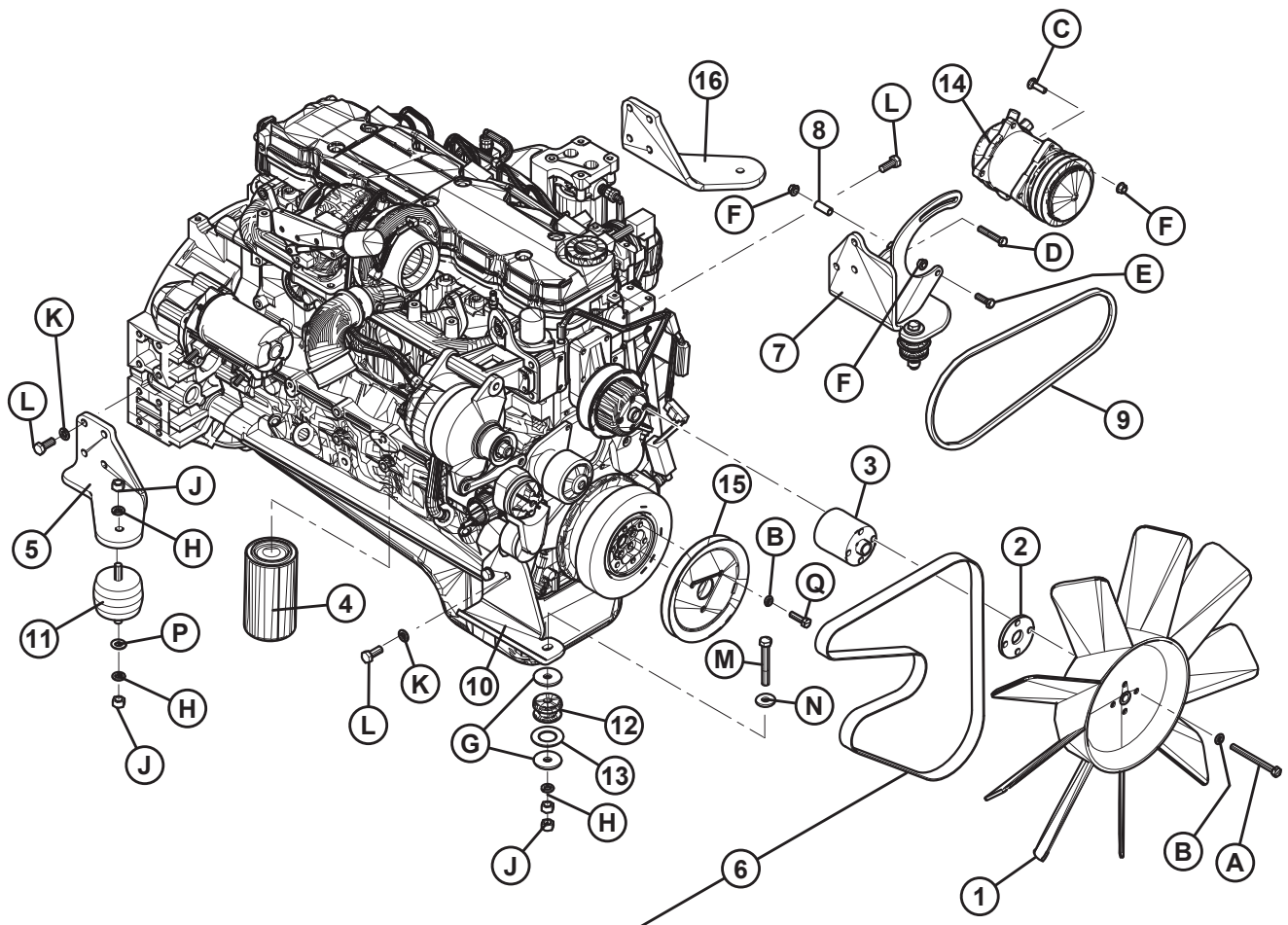


1025124

CENTER-LINK

Ref	Part Number	Description	Qty	Serial Number
23	133209	SPRING – LATCH ASSEMBLY	1	
24	135453	PIN – SPRING 3/16 DIA X 1 7/8 LG	1	
25	112869	JOINT ASSEMBLY – MECHANICAL CENTER-LINK	1	
26	102265	PIN – CLEVIS	1	
27	102264	PIN – LYNCH	1	
28	135235	CLAMP – DOUBLE HOSE INSULATED	2	
29	21763	FASTENER – CABLE TIE, BLACK, 160 MM LG	2	
A	18724	NUT – HEX LOCK DT 1/4-20 UNC ZP		
B	30549	BOLT – HH 3/4 NC X 5.5 LG GR 5 ZP		
C	18593	NUT – HEX 3/4-10 UNC GR 5 ZP		
D	102636	NUT – HEX DT .750-10 UNC		
E	152732	BOLT – RHSN M10 X 1.5 X 40-8.8-A3L		
F	30228	NUT – FLG DT SMOOTH FACE 0.375-16 UNC		
G	21863	BOLT – RHSSN 3/8 NC X 0.75 LG GR 5 ZP		
H	21406	BOLT – HH 5/8 NC X 3.5 LG GR 5 ZP		
J	20055	BOLT – HH 3/8 NC X 2.25 LG GR 5 ZP		
K	30897	BOLT – HH 1.0 NC X 4.0 LG GR 5 ZP		
L	135172	NUT – HEX LOCK DT 1.0-8 UNC		
M	21055	SCREW – SELF TAP HEX WASH HD 1/4 NC X 1/2		
N	30638	BOLT – HH 1/4 NC X 2.25 LG GR 5 ZP		
P	50225	NUT – FLANGE DT SMOOTH FACE .625-11 UNC		
Q	21574	BOLT – HH 1/4 NC X 1.5 LG GR 5 ZP		
R	135281	WASHER – SHOULDER, NYLON		
S	19965	BOLT – RHSN 3/8-16 X 1-GR5-ZP		
T	100456	BOLT – RHSSN 3/8 NC X 1.0 GR 5 ZP		
U	135799	NUT – HEX FLG CTR LOC M10 X 1.5-10		

17 Engine Sub Assembly



ENGINE SUB ASSEMBLY

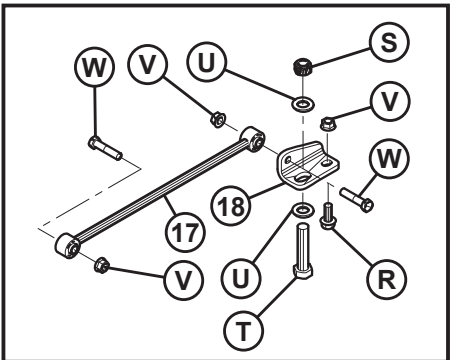
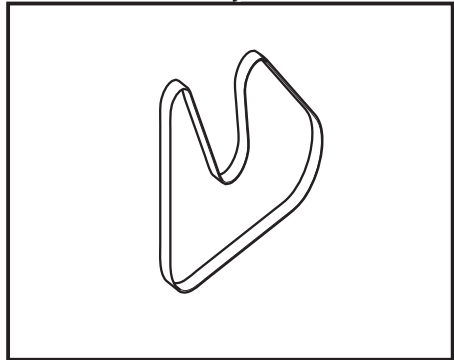
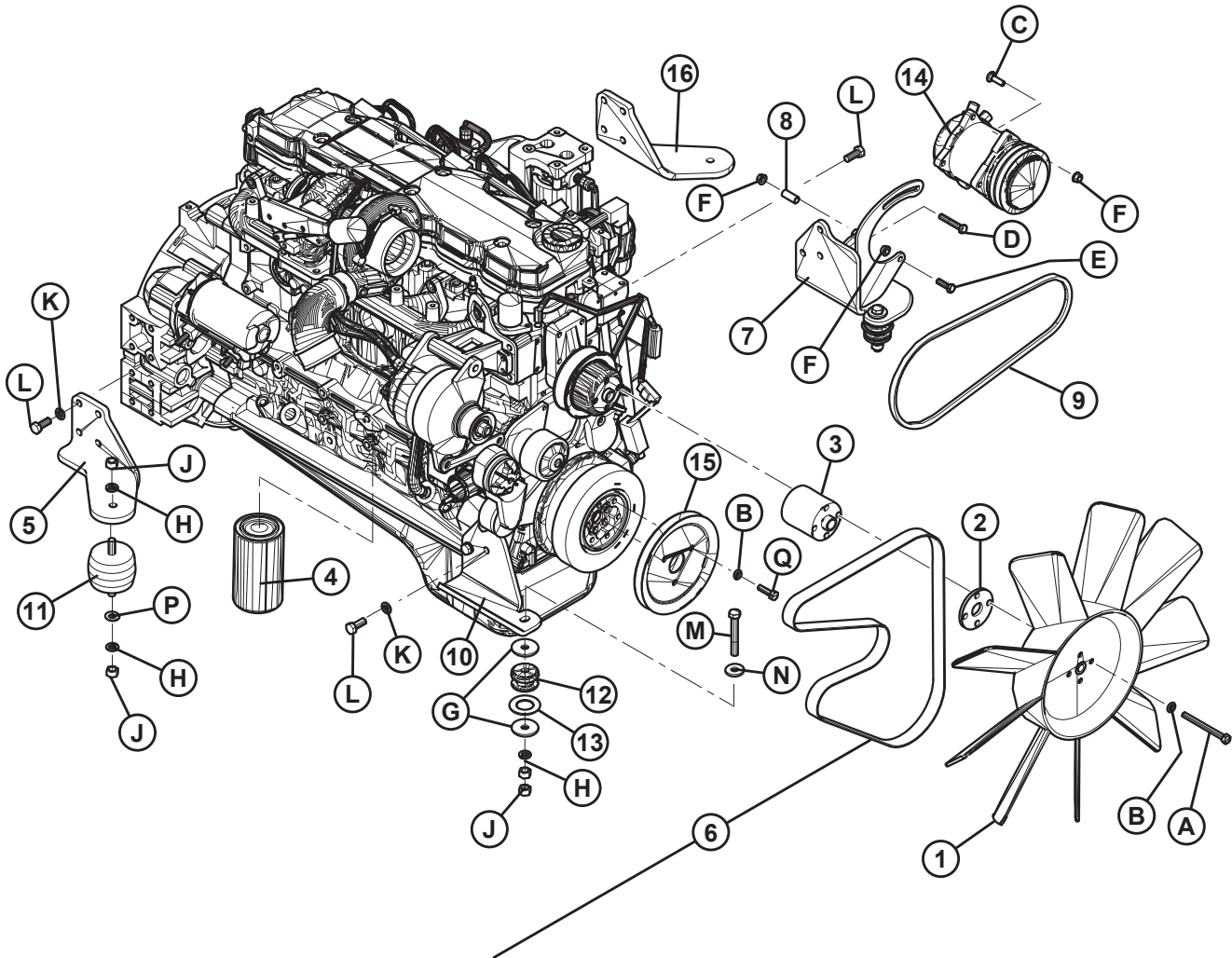
Ref	Part Number	Description	Qty	Serial Number
1	138843	FAN – ENGINE (QSB 6.7)	1	
2	162118	SPACER – 1/4 IN.	1	
3	111344	SPACER – 3 IN. (CUMMINS)	1	
4	111974	OIL FILTER	1	
5	139620	SUPPORT – ENGINE, LH, WELDMENT	1	–216499
	139777	SUPPORT – ENGINE, LH, WELDMENT	1	216500–
6	134187	FAN BELT ³²	1	–244009
	139952	FAN BELT	1	244010–
7	138504	ASSY – MOTOR MOUNT C/W SPACER	1	
8	23050	SPACER	1	
9	163368	BELT – V, SAE 13A	1	
10	138479	BRACKET – LH ENGINE MOUNT	1	
11	42008	INSULATOR	2	–216499
	139270	INSULATOR	2	216500–
12	138477	INSULATOR	2	
13	138575	SPACER – REAR ENGINE MOUNT	2	
14	109617	COMPRESSOR	1	–244009
	183515	COMPRESSOR	1	244010–
15	138540	PULLEY – AC WELD'T	1	
16	138515	SUPPORT – ENGINE, RH	1	–216499
	139776	SUPPORT – ENGINE, RH	1	216500–
17	166209	MEMBER – STABILIZING	1	–216499
18	139616	SUPPORT – STABILIZER	1	–216499
REF	139956	FAN DRIVE UPGRADE KIT ³³	OPT	
	B5659	KIT – REVERSIBLE FAN KIT ³⁴		

32. If your 2011 or 2012 M205 is equipped with fan drive upgrade kit MD #139956, then use fan belt MD #139952. Refer to Service Bulletin SB1356 when replacing item #6 fan belt.

33. For more information, refer to Section *98 Fan Drive Upgrade and Reversible Fan Kit, page 271*.

34. For more information, refer to Section *98 Fan Drive Upgrade and Reversible Fan Kit, page 271*. B5659 (M200 only) REVERSIBLE FAN KIT also available.

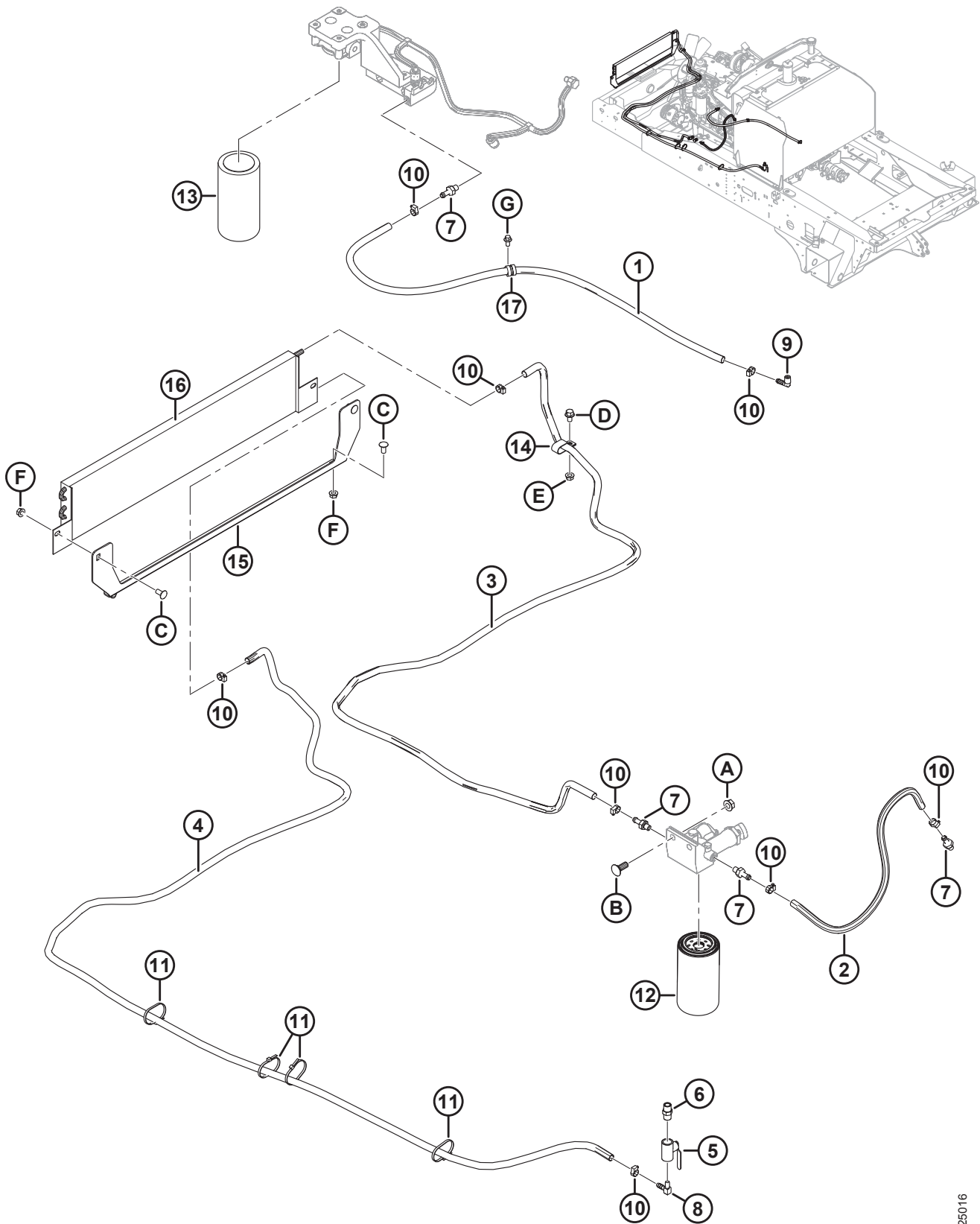
ENGINE SUB ASSEMBLY



ENGINE SUB ASSEMBLY

Ref	Part Number	Description	Qty	Serial Number
A	135502	BOLT – HH M10 X 1.5 X 110 LG ZN PL		
B	30632	WASHER – LOCK SPRING M10 ZN PL		
C	19966	BOLT – RHSN 3/8 NC X 1.25 LG GR 5 ZN PL		
D	20055	BOLT – HH 3/8 NC X 2.25 LG GR 5 ZN PL		
E	21264	BOLT – HH 3/8 NC X 1.25 LG GR 5 ZN PL		
F	30228	NUT – FLG DT SMTH FACE 0.375-16 UNC		
G	11695	WASHER – FLAT		
H	18638	WASHER – REG. LOCK 1/2 IN. NOM. I.D. ZN PL		
J	18591	NUT – HEX 1/2-13 UNC GR 5 ZN PL		
K	30633	WASHER – LOCK SPRING M12 ZN PL		
L	30630	BOLT – HH M12 X 1.75 X 30 LG ZN PL		
M	21581	BOLT – HH 1/2 NC X 3.5 LG GR 5 ZN PL		
N	4761	WASHER – FLAT		
P	18599	WASHER – SAE FLAT 17/32 I.D. X 1-1/16 IN. O.D. ZN PL		
Q	30628	BOLT – HH M10 X 1.5 X 35 LG ZN PL		
R	30368	BOLT – HH FLG (SER FACE) 1/2 NC X 1.25 GR 5 ZN PL		-216499
S	18689	NUT – HEX LOCK DT .750-10 UNC		-216499
T	30896	BOLT – HH .750-10 UNC X 3.50 LG		-216499
U	18601	WASHER – FLAT 13/16 I.D. X 1.5 IN. O.D. Z		-216499
V	50186	NUT – FLG LK SMTH FACE DT 0.500-13 UNC GR 5		-216499
W	21578	BOLT – HH 1/2 NC X 2.25 LG GR 5 ZN PL		-216499

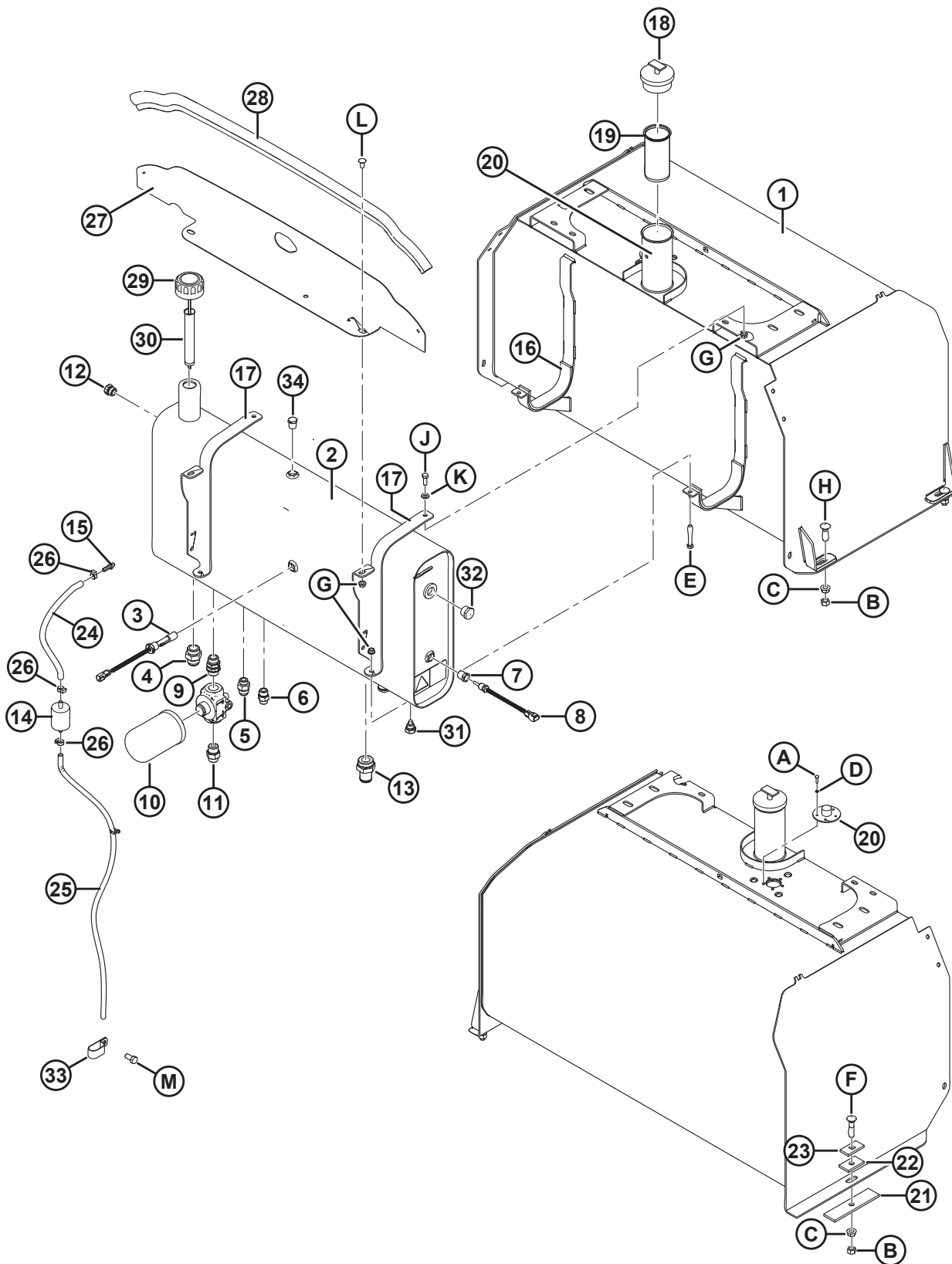
18 Fuel System



FUEL SYSTEM

Ref	Part Number	Description	Qty	Serial Number
1	138615	HOSE – RETURN, 3/8 IN. I.D., 960 MM LG	1	
2	138619	HOSE – SUCTION, 3/8 IN. I.D., 660 MM LG	1	
3	138620	HOSE – FC TO PRIMARY FILTER, 3/8 IN. I.D., 2575 MM LG	1	
4	138846	HOSE – TANK TO COOLER, 3/8 IN. I.D., 3500 MM LG	1	
5	111440	VALVE – BALL 3/8 NPT	1	
6	21844	FITTING – PIPE NIPPLE	1	
7	134173	FITTING – ADAPTER 3/8 IN. BARBED TO M12 X 1.5	4	
8	50069	FITTING – 90° BARB. ELBOW 3/8 I.D. HOSE X 3/8 NPT	1	
9	111442	FITTING – ELBOW 90° BARBED	1	
10	30500	CLAMP – HOSE GEAR TYPE	8	
11	21763	FASTENER – CABLE TIE, BLACK, 160 MM LG	4	
12	111972	ELEMENT – PRIMARY FUEL FILTER	1	
13	166312	ELEMENT – SECONDARY FUEL FILTER	1	
14	135235	CLAMP – DOUBLE HOSE INSULATED	1	
15	139307	BRACKET – FUEL COOLER	1	
16	139409	COOLER – FUEL (6 ROW)	1	
17	135716	CLAMP – INSULATED, 5/8 IN.	1	
A	50186	NUT – FLG LOCK SM FACE DT 0.500-13 UNC GR5		
B	21471	BOLT – RHSN 1/2 NC X 1.25 GR 5 ZP		
C	21863	BOLT – RHSSN 3/8 NC X 0.75 LG GR 5 ZP		
D	50076	BOLT – HH FLG (SER FACE) 3/8 NC X 0.63 GR 5 ZP		
E	21452	NUT – FLG (SER FACE) 0.375-16 UNC		
F	30228	NUT – FLG DT SMOOTH FACE 0.375-16 UNC		
G	136485	BOLT – HEX FLG HD TFL M8 X 1.25 X 16-8.8-A3L		

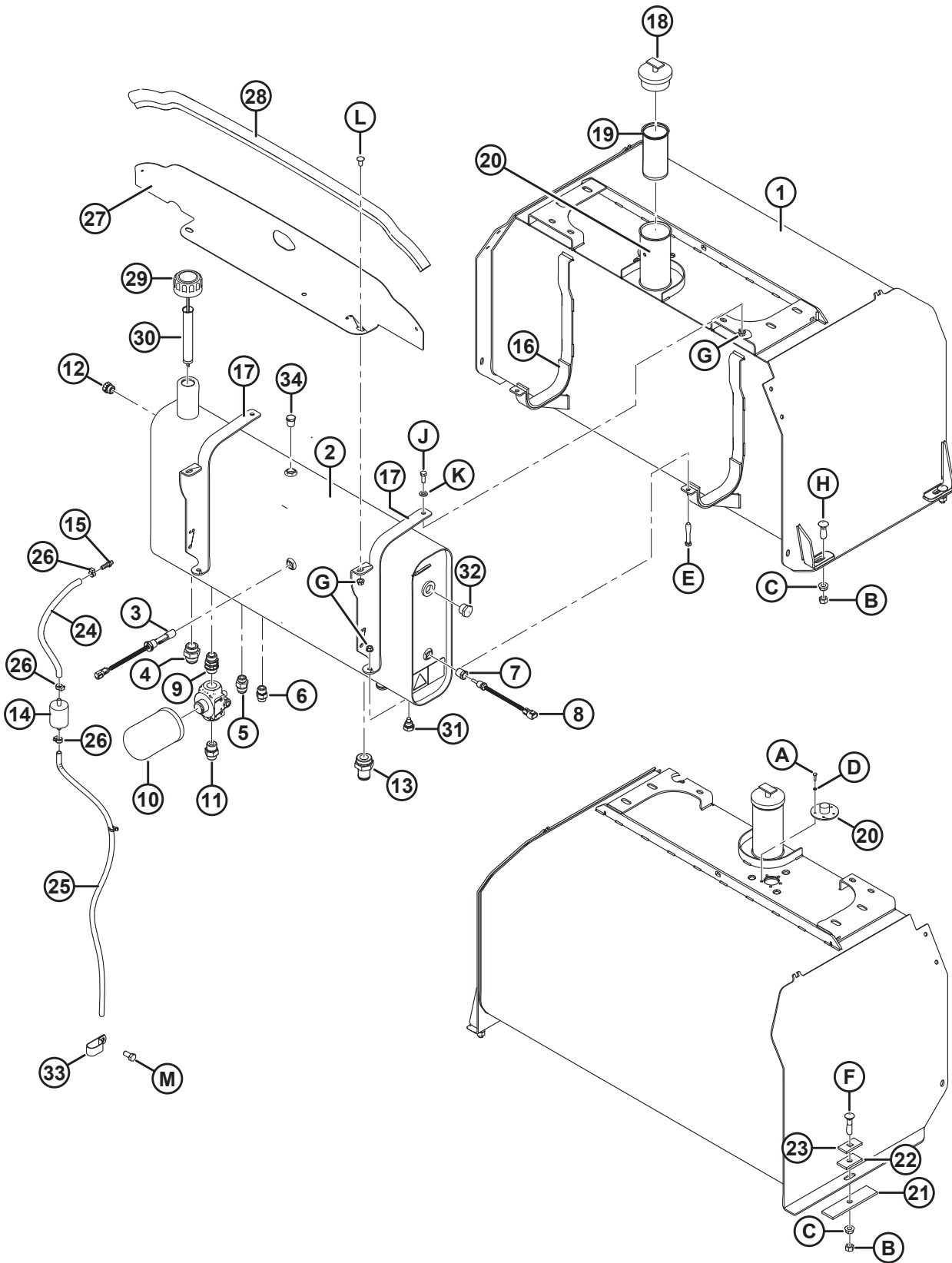
19 Tanks (Fuel and Hydraulic)



TANKS (FUEL AND HYDRAULIC)

Ref	Part Number	Description	Qty	Serial Number
1	110246	TANK – FUEL WELDT	1	
2	204556	TANK – HYDRAULIC C/W DECALS	1	
3	138473	SWITCH – OIL LEVEL, ZINC BODY	1	
4	21828	FITTING – ADAPTER HYD	1	
5	30610	FITTING – CONNECTOR HYD	1	
6	184463	FITTING – ADAPTER 8 MORFS X 10 MORB	1	
7	21980	FITTING – REDUCER BUSHING	1	
8	183905	SENSOR – TEMP, SENSATA TYPE 3000	1	
	134198	LOOM – LOOM REPLACEMENT	1	
9	112197	FITTING – CONNECTOR HYD C/W O-RINGS	1	
10	138920	FILTER HEAD WITH ELEMENT	1	
	112419	FILTER ELEMENT	1	
11	135786	FITTING – ADAPTER	1	
	30971	O-RING – OUTER, #12 ORB	1	
	135867	O-RING – INNER, #10 ORFS	1	
12	135246	PLUG – HEX C/W O-RING	1	
13	112854	FITTING – ADAPTER 1.25 IN. HOSE - 1.25 IN. ORB	1	
14	111608	FILTER – FUEL STRAINER	1	
15	21992	FITTING – BARBED 1/8 NPT X 3/8 I.D. HOSE	1	
16	110135	PAD – RUBBER	2	
17	183191	STRAP – HYD TANK	2	
18	110248	CAP – FUEL TANK	1	
19	163989	FILTER – FUEL FILLER	1	
20	112142	SENDER – FUEL LEVEL C/W GASKET LESS MTG HDWE	1	
21	112095	PAD – RUBBER	1	
22	112153	PAD – RUBBER	1	
23	112154	PLATE	1	
24	163639	HOSE – FUEL TANK BREATHER, 3/8 IN. I.D., 400 MM LG	1	
25	139068	HOSE – FUEL TANK BREATHER, 3/8 IN. I.D., 1000 MM LG	1	
26	30500	CLAMP – HOSE GEAR TYPE	3	
27	183192	ANGLE – AIR BAFFLE	1	
28	110807	SEAL – AIR DAM, BULB, 1145 MM LG	1	

TANKS (FUEL AND HYDRAULIC)



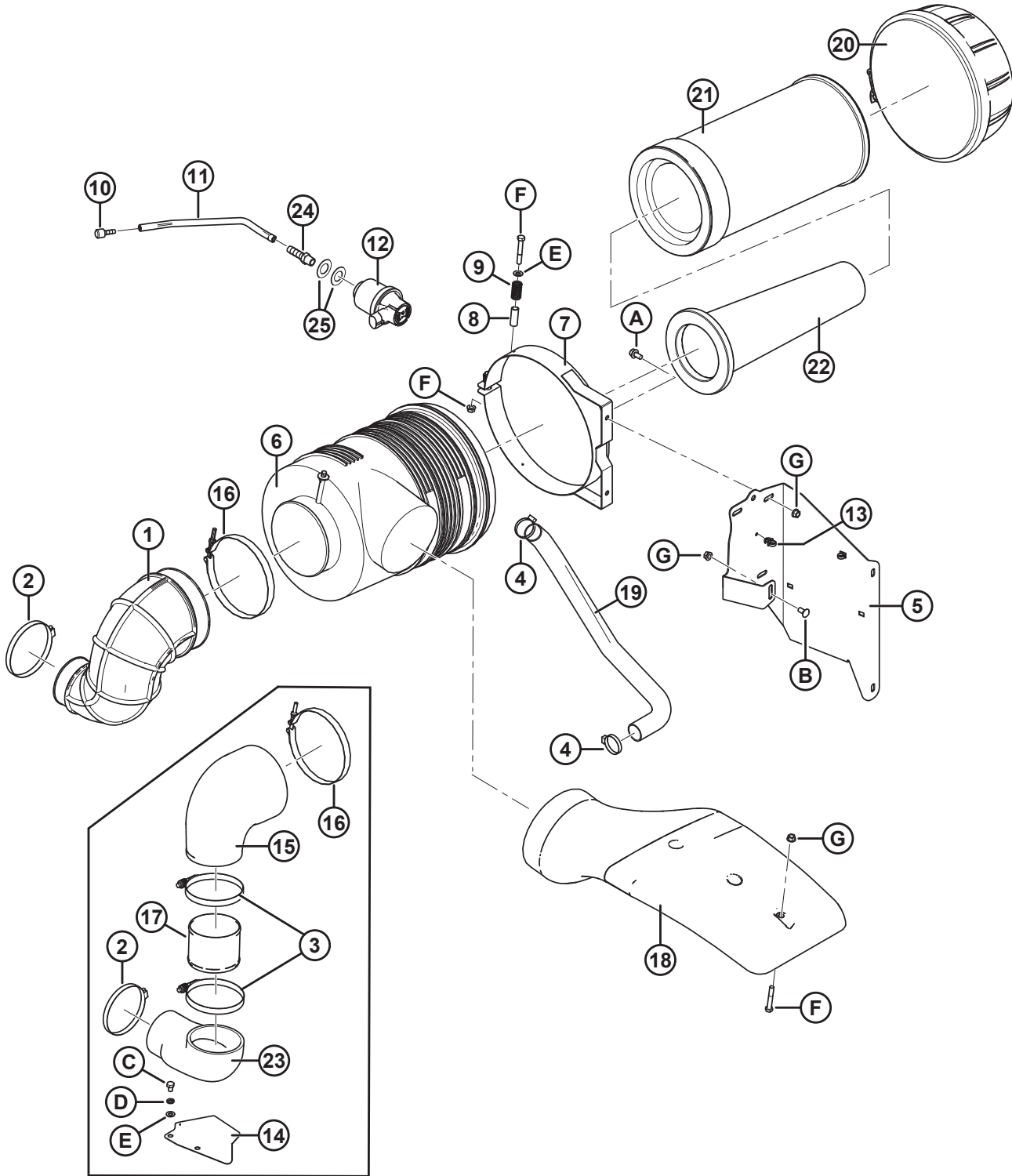
1014583

TANKS (FUEL AND HYDRAULIC)

Ref	Part Number	Description	Qty	Serial Number
29	139066	GAUGE – VENTED FILL CAP	1	
30	111976	SCREEN – MESH	1	
31	111975	PLUG – 0.875-14 MAGNETIC HEX HEAD	1	
32	187242	SIGHT GLASS	1	
33	50022	CLAMP – INSULATED 15/16 IN.	1	
34	136558	PLUG – HEX HEAD PIPE ³⁵	1	
A	184608	SCREW – MACHINE #10 UNC X 0.625 IN. HEX		
B	18591	NUT – HEX 1/2-13 UNC GR 5 ZP		
C	21383	NUT – FLG .500-13 UNC (SER FACE)		
D	18634	WASHER – REG. LOCK #10 NOM. I.D ZP		
E	21262	BOLT – HEX HD 3/8 NC X 2.5 TFL GR 5 ZP		
F	30027	BOLT – RHSN 1/2 NC X 2.25 LG GR 5 ZP		
G	30228	NUT – FLG DT SMOOTH FACE 0.375-16 UNC		
H	30515	BOLT – RHSN 1/2 NC X 1.75 LG GR 5 ZP		
J	20077	BOLT – HEX HD 3/8 NC X 1.0 LG GR 5 ZP		
K	30655	WASHER – HARDENED		
L	21863	BOLT – RHSSN 3/8 NC X 0.75 LG GR 5 ZP		
M	50155	BOLT – HEX HD TFL M12 X 1.75 X 25-8.8-AA1J		

35. Order plug with hydraulic tank (MD #204556) for all 2015 and prior model year self-propelled windrowers.

20 Engine Air Intake – 2017 and Prior

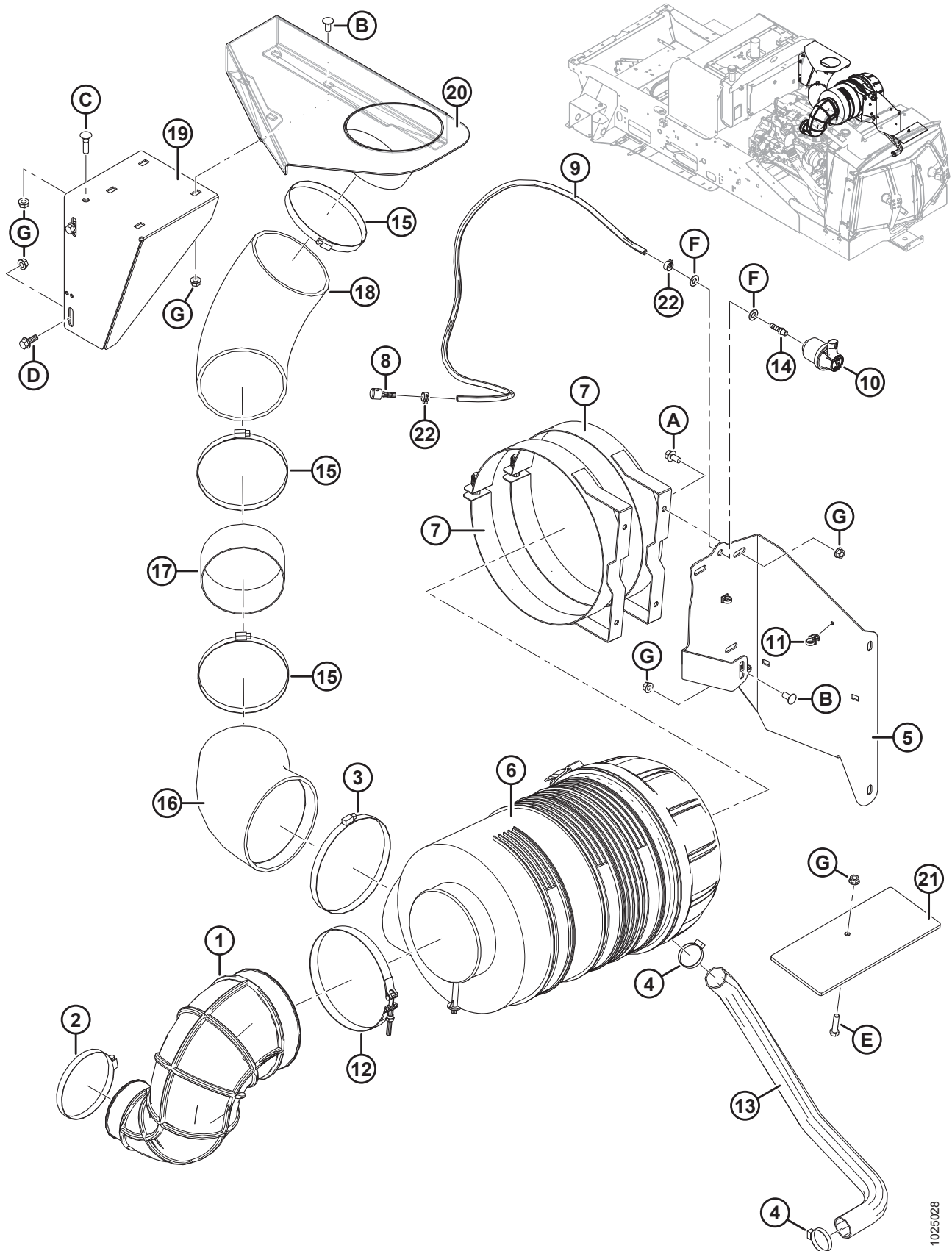


ENGINE AIR INTAKE – 2017 AND PRIOR

Ref	Part Number	Description	Qty	Serial Number
1	139689	DUCT – AIR INTAKE	1	216500–
2	135531	CLAMP – HOSE (LINED)	1	
3	135982	CLAMP – CONSTANT TORQUE	2	–216499
4	30670	CLAMP – HOSE	2	
5	138679	SUPPORT – AIR CLEANER/OVERFLOW BOTTLE	1	
6	138674	AIR CLEANER – 13 IN. ³⁶	1	
7	206648	BRACKET – AIR CLEANER	1	
8	142825	SPACER	1	
9	138830	SPRING – COMPRESSION	1	
10	138388	FITTING – RESTRICTOR	1	
11	138511	HOSE – AIR RESTRICTOR, 5/16 IN. I.D., 300 MM LG	1	
12	139799	SWITCH – AIR FILTER VACUUM	1	
13	50109	CLIP – PLASTIC	3	
14	139083	ANGLE – AIR INTAKE	1	–216499
15	138847	ELBOW – AIR INTAKE, 7 IN. TO 5 IN.	1	–216499
16	135759	CLAMP (7.5 IN.)	1	
17	138501	TUBE – AIR INTAKE	1	–216499
18	138495	DUCT – AIR INTAKE	1	
19	138534	DUCT – ASPIRATOR, 1.5 IN. I.D., 750 MM LG	1	
20	139078	END COVER	1	
21	138685	FILTER-AIR – PRIMARY	1	
22	139077	FILTER-AIR – SECONDARY	1	
23	111652	ADAPTER – AIR INTAKE REDUCER	1	–216499
24	30426	BARBED FITTING	1	
25	18598	WASHER	2	
A	135963	BOLT – HH FLG (SM FACE) 3/8 NC X 0.75 GR 5 ZP		
B	21863	BOLT – RHSSN 3/8 NC X 0.75 LG GR 5 ZP		
C	50071	BOLT – HH M10 X 1.5 X 15 LG ZP		–216499
D	30632	WASHER – LOCK SPRING M10 ZP		–216499
E	18598	WASHER – SAE FLAT 13/32 I.D X 13/16 IN. O.D. ZP		–216499
F	21102	BOLT – HH 3/8 NC X 2.5 LG GR 5 ZP		
G	30228	NUT – FLG DT SMTH FACE 0.375-16 UNC		

36. Includes end cover (MD #139078), primary air filter (MD #138685), and secondary air filter (MD #139077).

21 Engine Air Intake – 2018 and Later

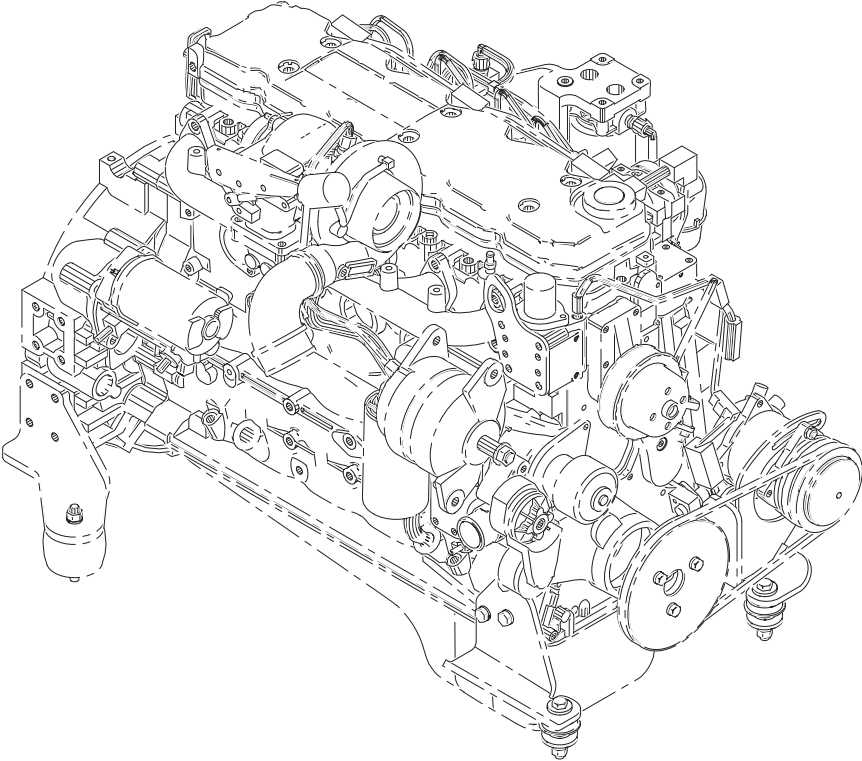
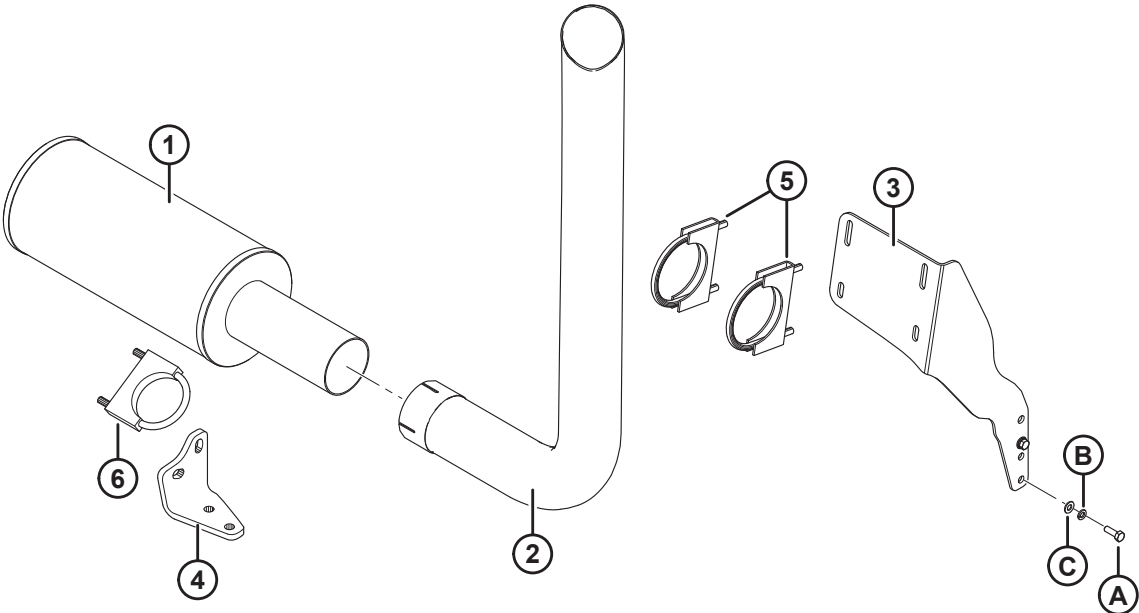


ENGINE AIR INTAKE – 2018 AND LATER

Ref	Part Number	Description	Qty	Serial Number
1	139689	DUCT – AIR INTAKE	1	
2	135531	CLAMP – HOSE (LINED)	1	
3	136130	CLAMP – HOSE (5.375–7.75 IN. RANGE)	1	
4	30670	CLAMP – HOSE	2	
5	138679	SUPPORT – AIR CLEANER/OVERFLOW BOTTLE	1	
6	138674	AIR CLEANER – 13 IN. ³⁷	1	
	139078	END COVER		
	138685	FILTER – AIR, PRIMARY		
	139077	FILTER – AIR, SECONDARY		
7	206648	BRACKET – AIR CLEANER	2	
8	138388	FITTING – RESTRICTOR	1	
9	167412	HOSE – AIR RESTRICTOR, 5/16 IN. I.D., 760 MM LG	1	
10	139799	SWITCH – AIR FILTER VACUUM	1	
11	50109	CLIP – PLASTIC	3	
12	135759	CLAMP – 7.5 IN.	1	
13	138534	DUCT – ASPIRATOR, 1.5 IN. I.D., 750 MM LG	1	
14	30426	FITTING – BARBED 1/8 NPT X 5/16 I.D. HOSE	1	
15	183845	CLAMP – HOSE (5–7 IN. RANGE)	3	
16	139945	HOSE – ELBOW 7 IN. X 6 IN. X 45°	1	
17	139946	TUBE – AIR INTAKE	1	
18	139943	HOSE – ELBOW 6 IN. X 90 DEG	1	
19	167411	SUPPORT BRACKET	1	
20	183710	SUPPORT WELDMENT	1	
21	139934	PLATE – AIR INTAKE	1	
22	167458	CLAMP – ROTOR CLIP, HOSE	2	
A	135963	BOLT – HH FLG (SM FACE) 3/8 NC X 0.75 GR 5 ZP		
B	21863	BOLT – RHSSN 3/8 NC X 0.75 LG GR 5 ZP		
C	21484	BOLT – RHSN 3/8-16 X 1.5-GR5-ZP		
D	135966	BOLT – HH FLG (SM FACE) 3/8 NC X 1.0 GR 5 ZP		
E	21561	BOLT – HH 3/8 NC X 1.5 LG GR 5 ZP		
F	18598	WASHER – SAE FLAT 13/32 I.D. X 13/16 IN. O.D. ZP		
G	30228	NUT – FLG DT SMTH FACE 0.375-16 UNC		

37. Includes end cover (MD #139078), primary air filter (MD #138685), and secondary air filter (MD #139077).

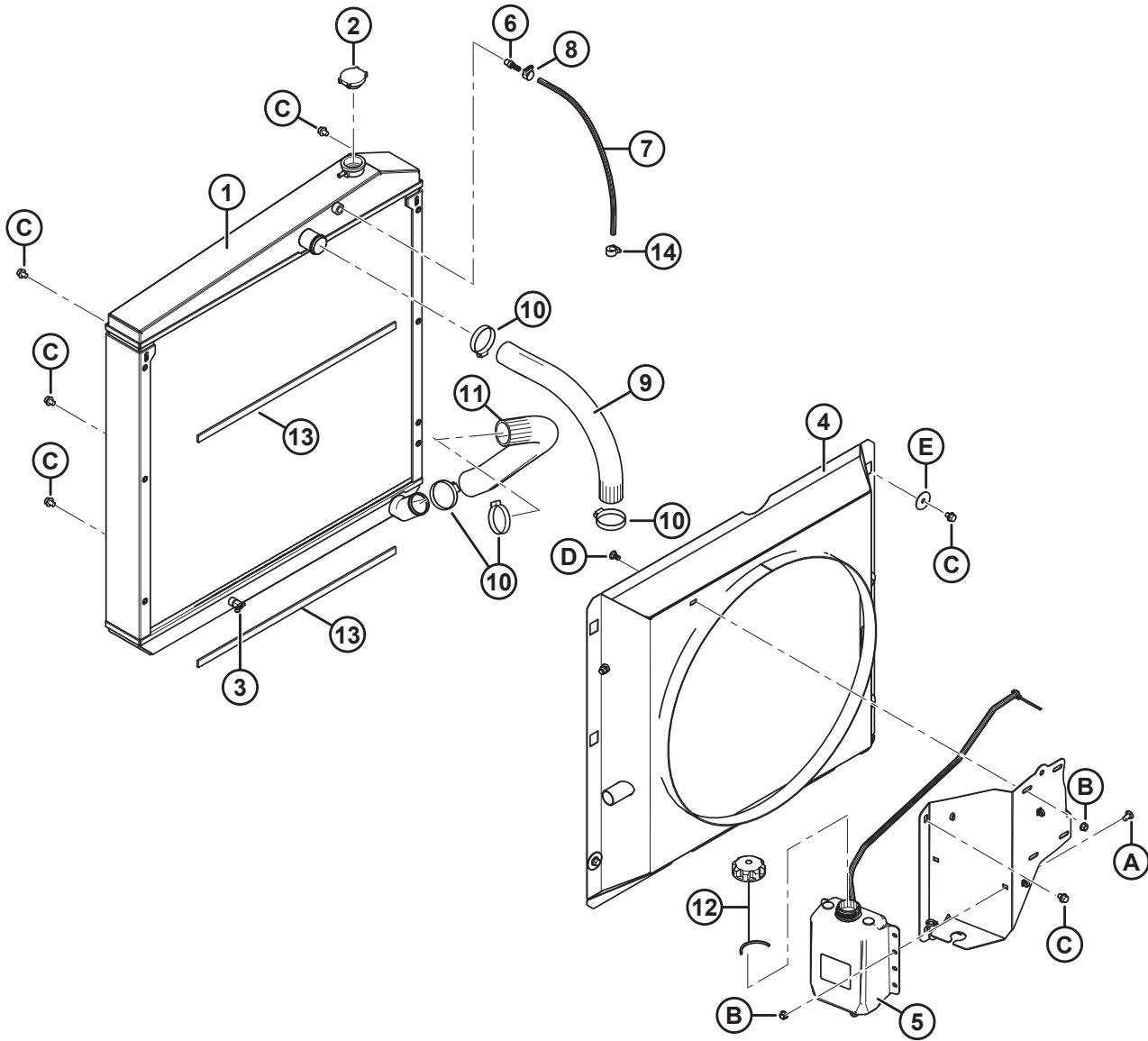
22 Engine Exhaust



ENGINE EXHAUST

Ref	Part Number	Description	Qty	Serial Number
1	138584	MUFFLER	1	
2	138680	TUBE – EXHAUST, M205	1	
3	138562	SUPPORT – EXHAUST	1	
4	138572	SUPPORT – TURBO OUTLET	1	
5	135513	CLAMP – U-BOLT	2	
6	42469	CLAMP – PIPE	1	
A	136057	BOLT – HH TFL M8 x 25 GR 10.9		
B	184579	WASHER – CONICAL SPRING (M8)		
C	20535	WASHER – FLAT		

23 Radiator

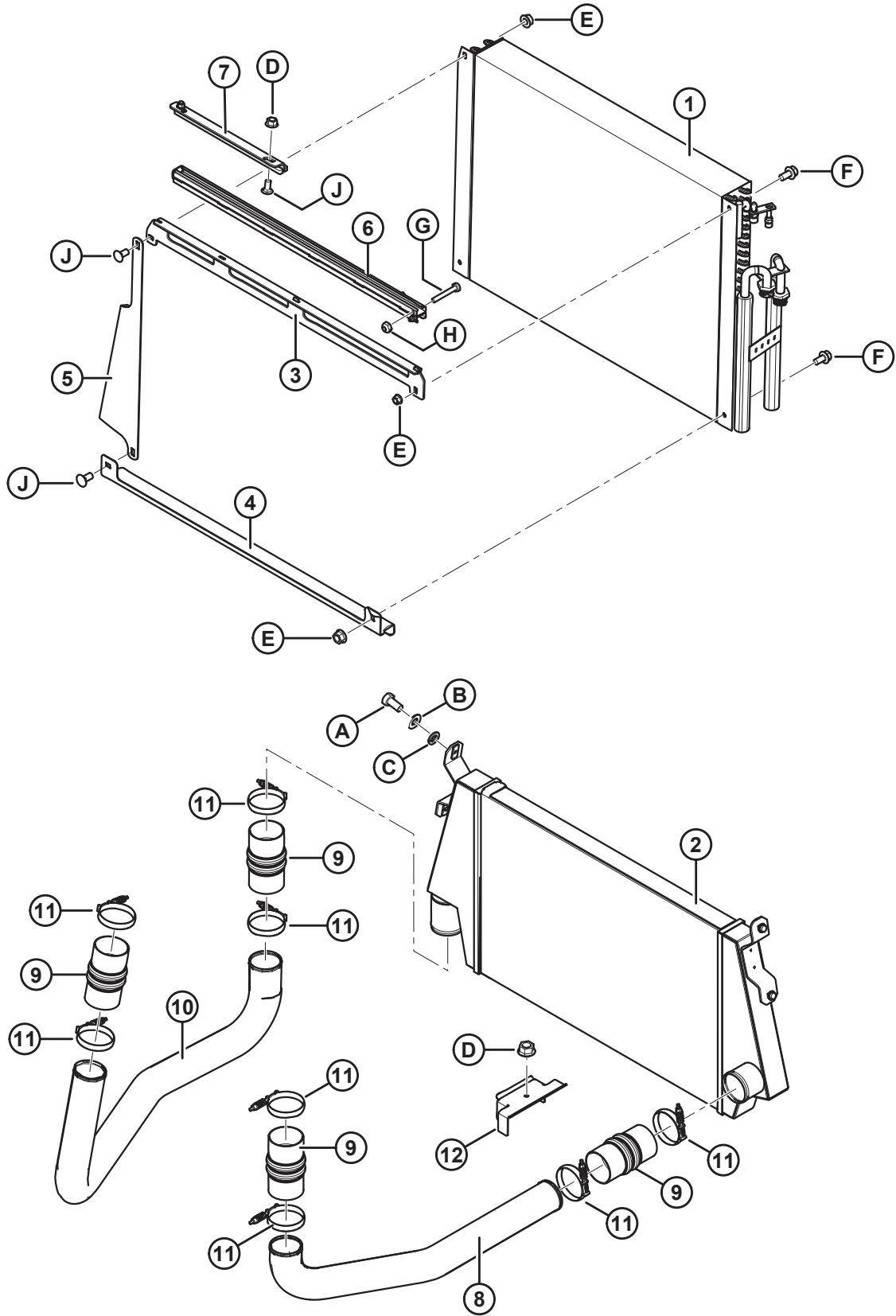


RADIATOR

Ref	Part Number	Description	Qty	Serial Number
1	138553	RADIATOR – 6 CYL	1	
2	109934	CAP – RADIATOR	1	
3	166521	FITTING – DRAIN COCK	1	
4	166434	SHROUD – C/W DECAL	1	
5	139117	TANK ASSY – COOLANT RECOVERY C/W DECAL ³⁸	1	
6	21046	FITTING – BARBED 1/4 NPT X 3/8 I.D. HOSE	1	
7	166384	HOSE – FILL VENT, 3/8 IN. I.D., 630 MM LG	1	
8	30094	CLAMP – HOSE GEAR TYPE	1	
9	138576	HOSE – RADIATOR, TOP	1	
10	17959	CLAMP – HOSE	4	
11	138578	HOSE – RADIATOR, BOTTOM	1	
12	138573	CAP – VENT	1	
13	110395	SEAL – SPONGE, 6.5 X 25, 900 MM LG	2	
14	21053	CLAMP – GEAR TYPE, 11/25 RANGE	1	
A	21863	BOLT – RHSSN 3/8 NC X 0.75 LG GR 5 ZP		
B	30228	NUT – FLG DT SMOOTH FACE 0.375-16 UNC		
C	30693	BOLT – FLG (SER FACE) .375-16 UNC X 0.50 LG		
D	21472	BOLT – RHSN 3/8 NC X 0.75 GR 5 ZP		
E	31465	WASHER – FLAT		

38. Includes vent cap (MD #138573), decal (MD #134069), and overflow hose (not serviced separately).

24 Coolers

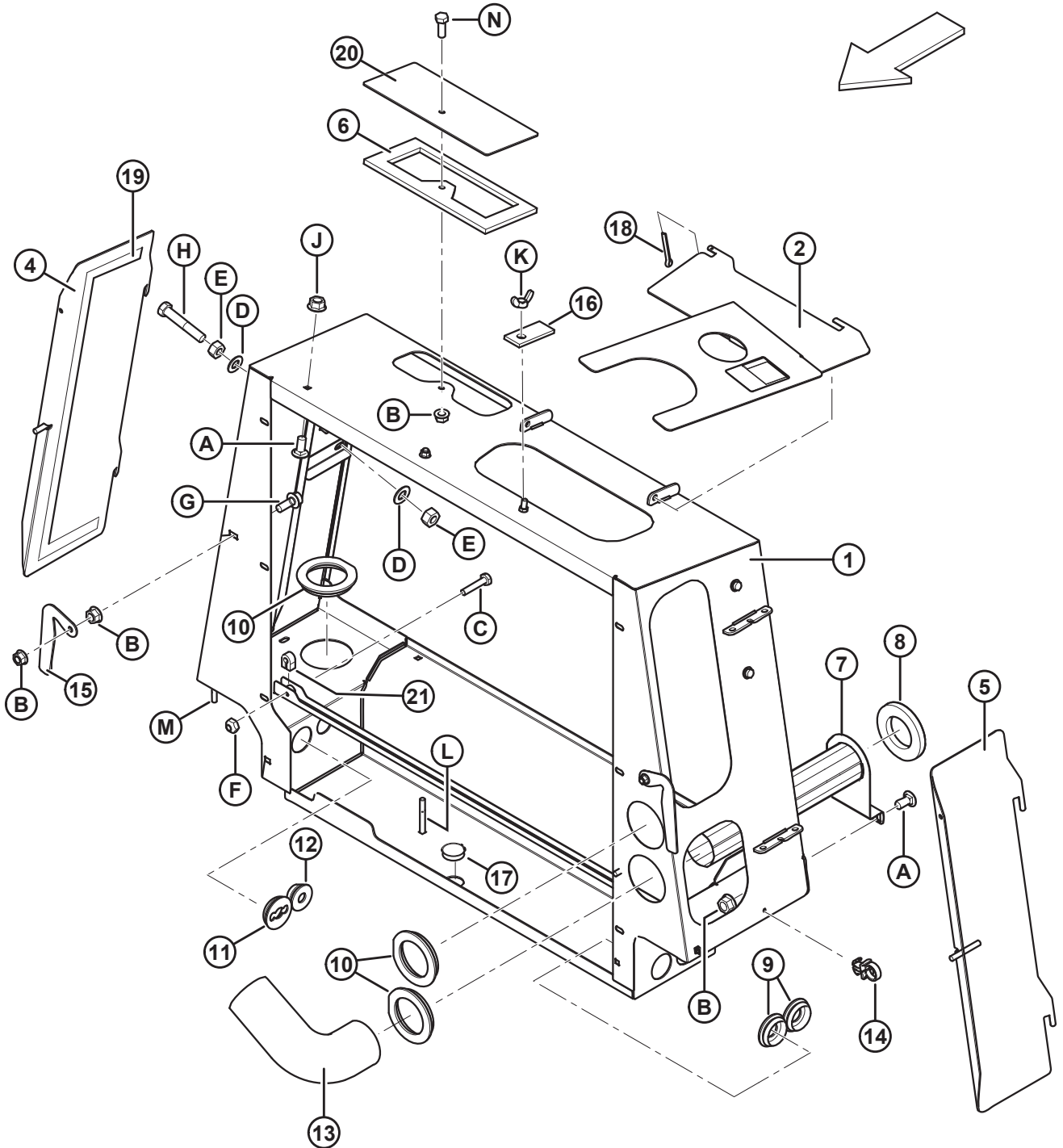


COOLERS

Ref	Part Number	Description	Qty	Serial Number
	167942	KIT – A/C CONDENSER,OIL COOLER ³⁹		
1	166830	COOLER – OIL, A/C CONDENSER	1	
2	209888	COOLER – CAC	1	
3	138377	SUPPORT – COOLER TOP, WELD'T	1	
4	138296	SUPPORT – COOLER BOTTOM	1	
5	138364	SUPPORT – COOLER, RH	1	
6	110680	SLIDE – WELD'T	1	
7	138380	SUPPORT – SLIDE, WELD'T	1	
8	138416	TUBE – CAC HOT SIDE	1	
9	163905	CONNECTOR – CAC	1	
10	138404	TUBE – CAC COOL SIDE	8	
11	111643	CLAMP – CONSTANT TORQUE	1	
12	138392	BRACKET – COOLER LINES	4	
A	21567	BOLT – HEX HD .375-16 UNC X 0.75 LG		
B	18598	WASHER – SAE FLAT 13/32 I.D X 13/16 IN O.D. ZP		
C	18637	WASHER – REG. LOCK 3/8 IN. NOM. I.D ZP		
D	21452	NUT – FLG (SER. FACE) .375-16 UNC		
E	30228	NUT – FLG DT SMOOTH FACE 0.375-16 UNC		
F	21821	BOLT – HH FLG (SER FACE) 3/8 NC X 0.75 GR 5 ZP		
G	21952	BOLT – HH 1/4 NC X 1.75 LG GR 5 ZP		
H	18724	NUT – HEX LOCK DT 1/4-20 UNC ZP		
J	21863	BOLT – RHSSN 3/8 NC X 0.75 LG GR 5 ZP		

39. Kit used to update oil cooler. Includes spacer to move rad sweep (was MD #167435) forward 1.6 mm if installed. The new oil cooler will reduce oil temperature and increase the required cleaning interval.

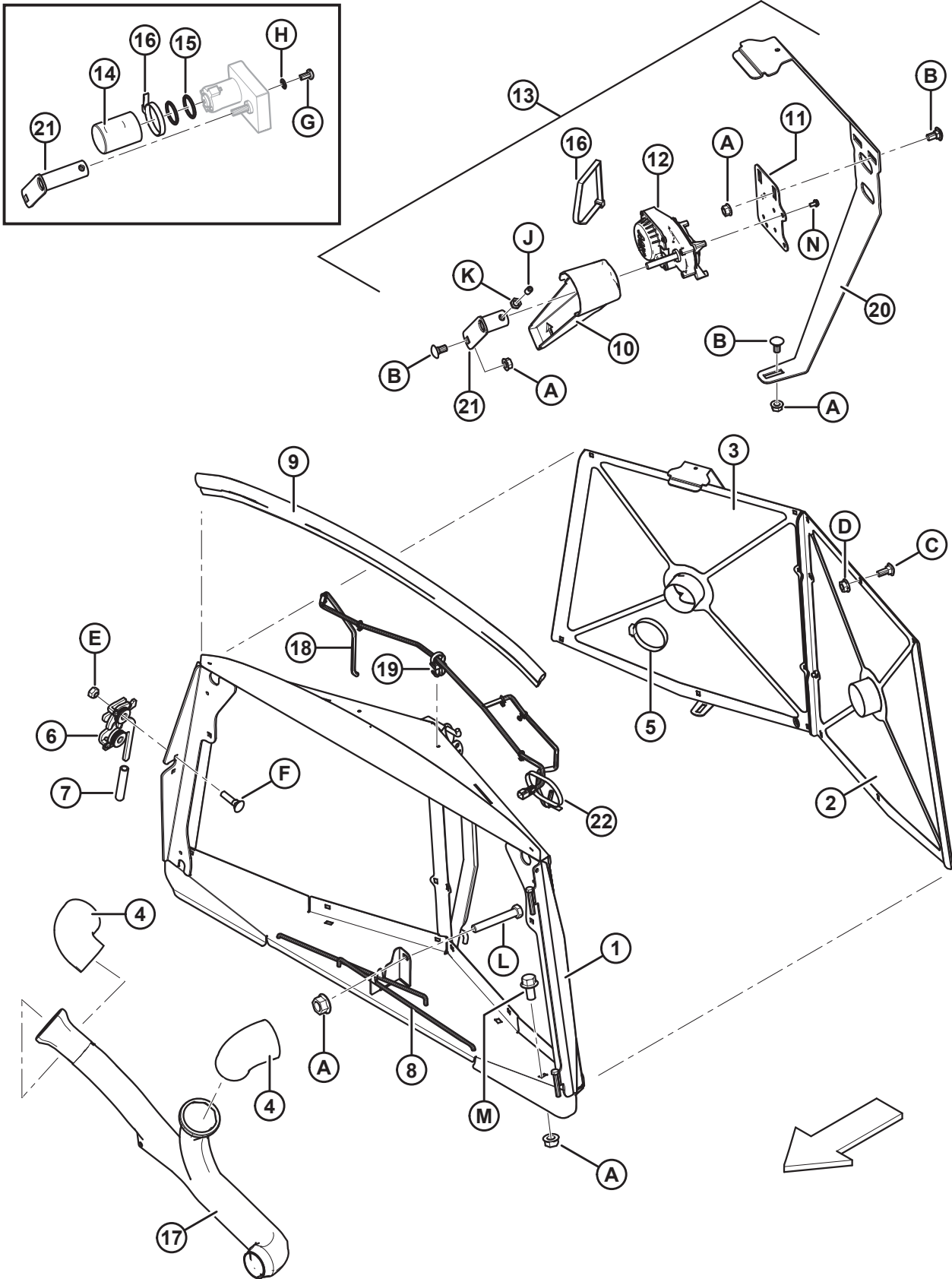
25 Cooler Box



COOLER BOX

Ref	Part Number	Description	Qty	Serial Number
1	167946	SUPPORT – COOLERS, WELD'T	1	
2	166432	DOOR – TOP COOLER, EXHAUST COVER C/W DECAL	1	
4	138793	DOOR – COOLER ACCESS, RH WELDT	1	
5	110898	DOOR – COOLER ACCESS, LH WELDT	1	
6	139502	GASKET – AIR INTAKE	1	
7	110897	TUBE – CLEANER, WELD'T	1	
8	110702	SEAL – CLEANER DUCT, 64 MM I.D., 110 MM O.D. X 12.7 MM	1	
9	110967	GROMMET – 1.06 IN. I.D.	2	
10	110677	GROMMET	3	
11	163549	GROMMET	1	
12	45155	GROMMET – 0.75 IN. I.D.	1	
13	110969	HOSE – SCREEN CLEANER ELBOW, 3 IN. I.D.	1	
14	30542	FASTENER – BLACK NYLON CLIP	2	
15	110701	LATCH	2	
16	44217	LATCH	1	
17	161378	PLUG – HOLE (Ø1.5 IN.)	1	
18	18605	PIN – COTTER 1/8 DIA X 1 ZP	1	
19	139095	SEAL – 12.7 MM X 25 MM, 937 MM LG	6	
20	204064	PLATE – AIR INTAKE	1	
21	139220	SPACER – SLIDE MECHANISM	1	
A	21863	BOLT – RHSSN 3/8 NC X 0.75 LG GR 5 ZP		
B	30228	NUT – FLG DT SMOOTH FACE 0.375-16 UNC		
C	30942	BOLT – HH 1/4 NC X 1.25 LG GR 5 ZP		
D	18688	WASHER – SAE FLAT 0.47 IN. I.D. X 0.92 IN. O.D. ZP		
E	18654	NUT – HEX 7/16-14 UNC GR 5 ZP		
F	18724	NUT – HEX LOCK DT 1/4-20 UNC ZP		
G	21975	BOLT – HH FLG (SER FACE) 3/8 NC X 1.0 GR 5 ZP		
H	21988	BOLT – HH 7/16 NC X 2.5 LG GR 5 ZP		
J	21452	NUT – FLG (SER. FACE) .375-16 UNC		
K	21289	NUT – WING TYPE A 3/8 NC ZP		
L	21568	BOLT – HH 3/8 NC X 3.0 LG GR 5 ZP		
M	30936	BOLT – HH FLG (SER FACE) 3/8 NC x 1.25 GR 5 ZP		
N	20077	BOLT – HEX HD 3/8 NC X 1.0 LG GR 5 ZP		

26 Screen Cleaner



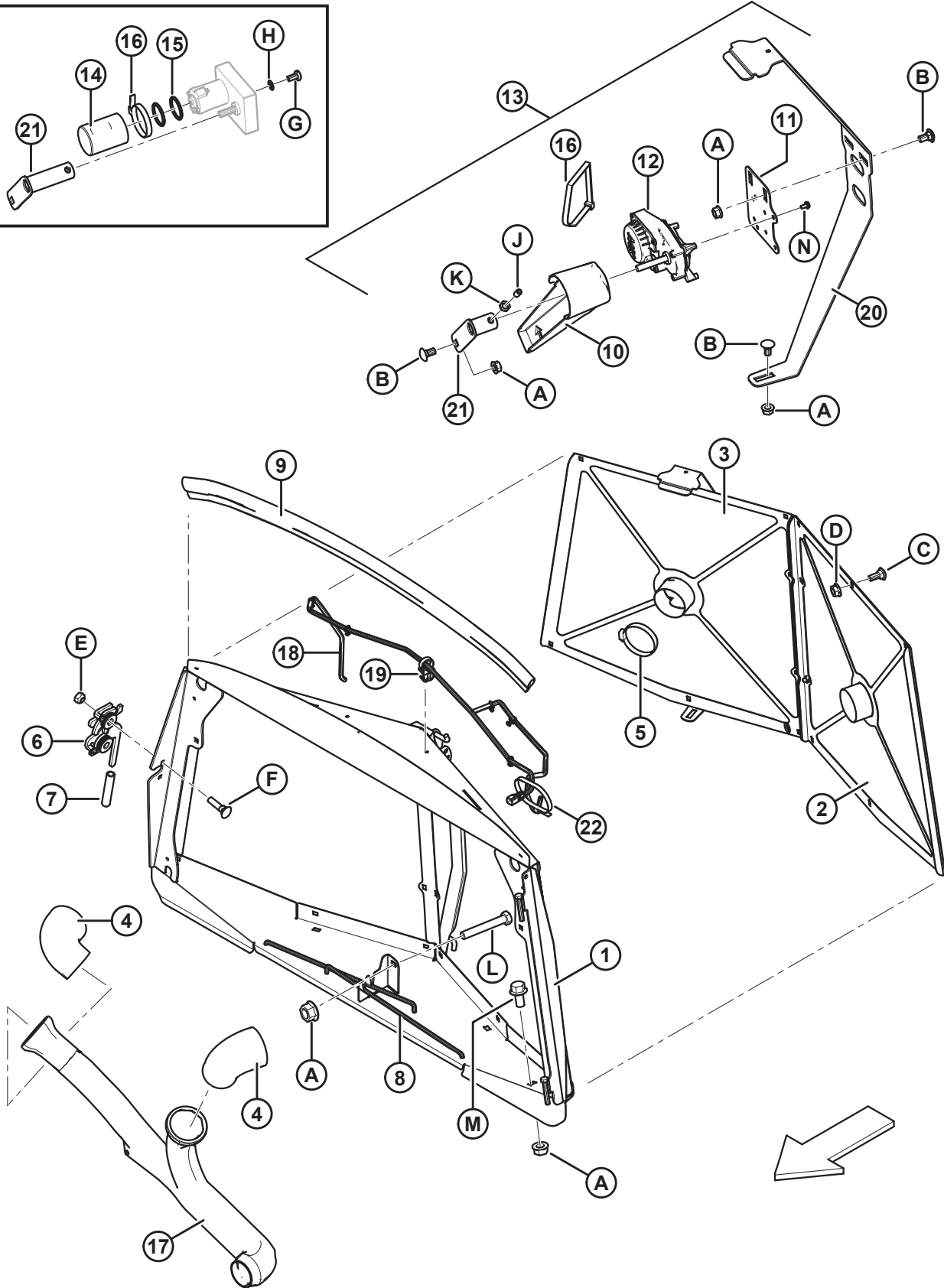
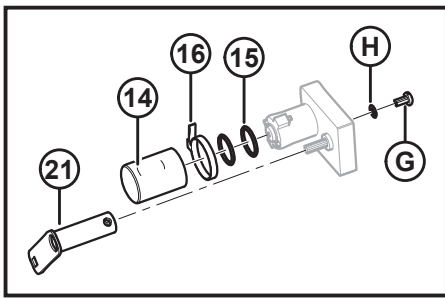
SCREEN CLEANER

Ref	Part Number	Description	Qty	Serial Number
1	183227	SUPPORT – SCREEN, WELD'T	1	244010–
2	167984	SCREEN – LH	1	
3	167983	SCREEN – RH	1	
4	110928	HOSE – 90° ELBOW	2	
5	21913	CLAMP – HOSE	2	
6	134003	ASSY – RH STIRRUP LATCH	1	
7	110817	COVER – SOFTEX GRIP	1	
8	110386	ROD – SCREEN PROP	1	
9	110875	SEAL – TOP RAD/HOOD	1	
10	110882	DUCT – SCREEN CLEANER	2	
11	167585	SUPPORT – MOTOR	2	
12	167956	MOTOR – ELECTRICAL, WITH GROMMET	2	
	167876	GROMMET – SCREEN CLEANER MOTOR		
13	167589	KIT – SCREEN CLEANER MOTOR ⁴⁰	A/R	
14	112149	CAP ⁴¹	2	–301189
15	163698	O-RING – VITON ⁴¹	4	–301189
16	30753	FASTENER – CABLE TIE, BLACK, 305 MM LG	2	
17	110883	DUCT – CLEANER, DUAL	1	
18	110908	HARNESS – SCREEN CLEANERS (2016 AND PRIOR) ⁴¹	1	–301189
	167713	HARNESS – SCREEN CLEANERS (2017 AND LATER)	1	301190–
19	30542	FASTENER – NYLON CLIP (BLACK)	7	
20	110968	STRAP – MOTOR SUPPORT ⁴¹	2	–301189
	167584	STRAP – MOTOR SUPPORT	2	
21	110885	SHAFT – DUCT DRIVE, WELD'T ⁴¹	2	–301189
	167586	SHAFT – DUCT DRIVE, WELD'T	2	
22	21763	FASTENER – CABLE TIE, BLACK, 160 MM LG	1	

40. For units made in model year 2016 and prior, the kit (MD #167589) can be ordered to replace motor MD #42369. Kit includes motor (MD #167956), strap (MD #167584), support (MD #167585), duct drive shaft (MD #167586), harness (MD #167713), wire adapter (MD #167714), fastener (MD #30753), nut (MD #18664), setscrew (MD #18709), four screws (MD #252261), and instructions.

41. Service part only for units made in 2016 model year and prior that have not been serviced with screen cleaner motor kit (MD #167589).

SCREEN CLEANER



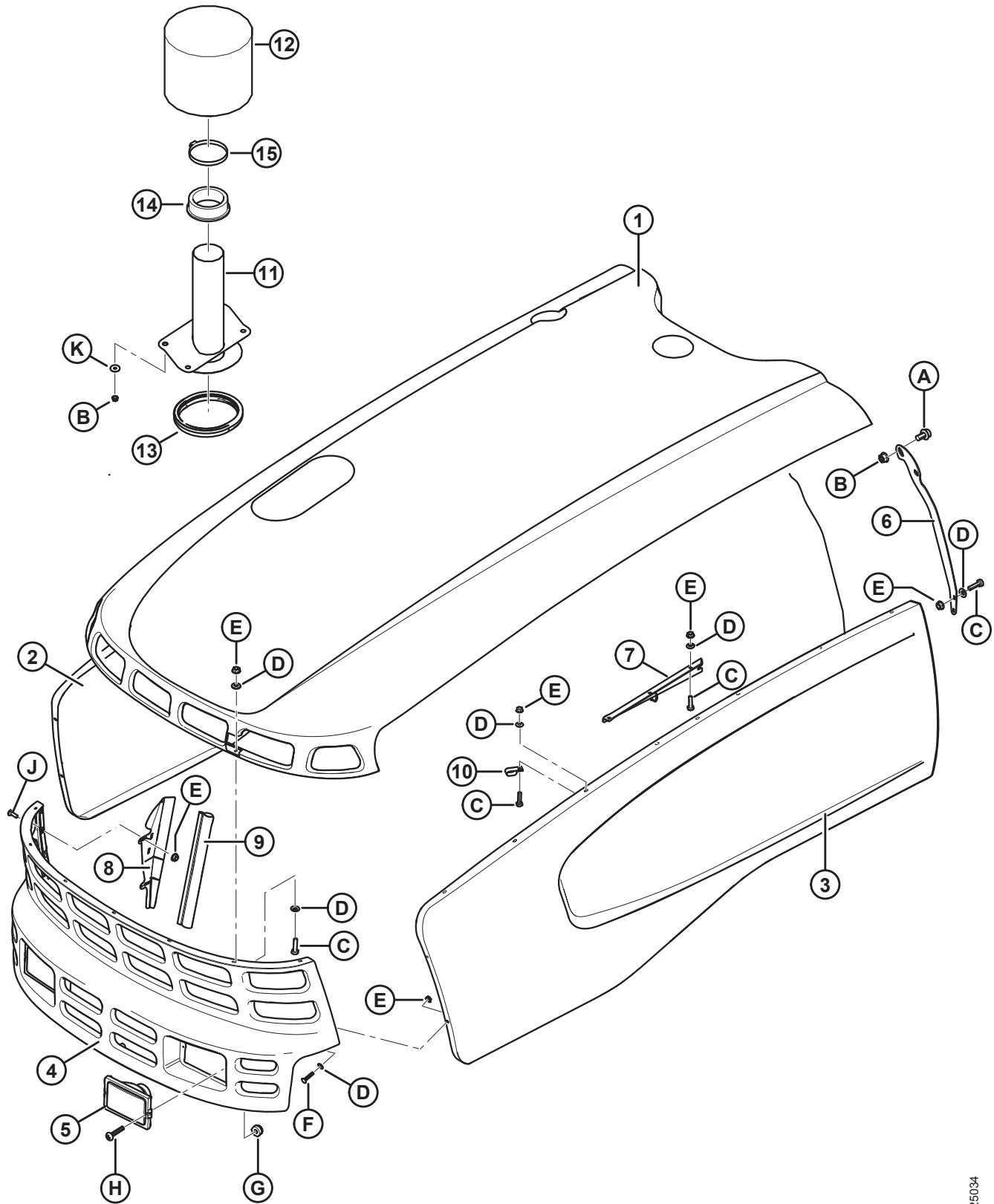
1021921

SCREEN CLEANER

Ref	Part Number	Description	Qty	Serial Number
A	30228	NUT – FLANGE DT SMTH FACE 0.375-16 UNC		
B	21472	BOLT – RHSN 3/8-16 X 0.75 GR 5		
C	21281	BOLT – RHSN 5/16 NC X 0.75 GR 5 ZP		
D	30280	NUT – FLG SIDE LK SMTH FACE 5/16 NC GR 5 ZP		
E	18690	NUT – HEX LOCK DT 5/16-18 UNC ZP		
F	21282	BOLT – RHSN 5/16 NC X 1.0 LG GR 5 ZP		
G	30955	SCREW – MACH RD HD SLT # 8-32 NC X 5/16 LG BLK ⁴²		-301189
H	20042	WASHER – REG. LOCK #8 NOM. I.D. ZP ⁴²		-301189
J	18709	SCREW – SET HEX SOC CUP PT 3/8 NC X 5/8 LG		
K	18664	NUT – HEX JAM 3/8-16 UNC GR 5 ZP		
L	21102	BOLT – HH 3/8 NC X 2.5 LG GR 5 ZP		
M	21821	BOLT – HH FLG (SER FACE) 3/8 NC X 0.75 GR 5 ZP		
N	252261	SCREW – HH MACH SLOT #10-24 UNC X 3 X 8 GR2-AA-3L		

42. Service part only for units made in 2016 model year and prior that have not been serviced with screen cleaner motor kit (MD #167589).

27 Hood

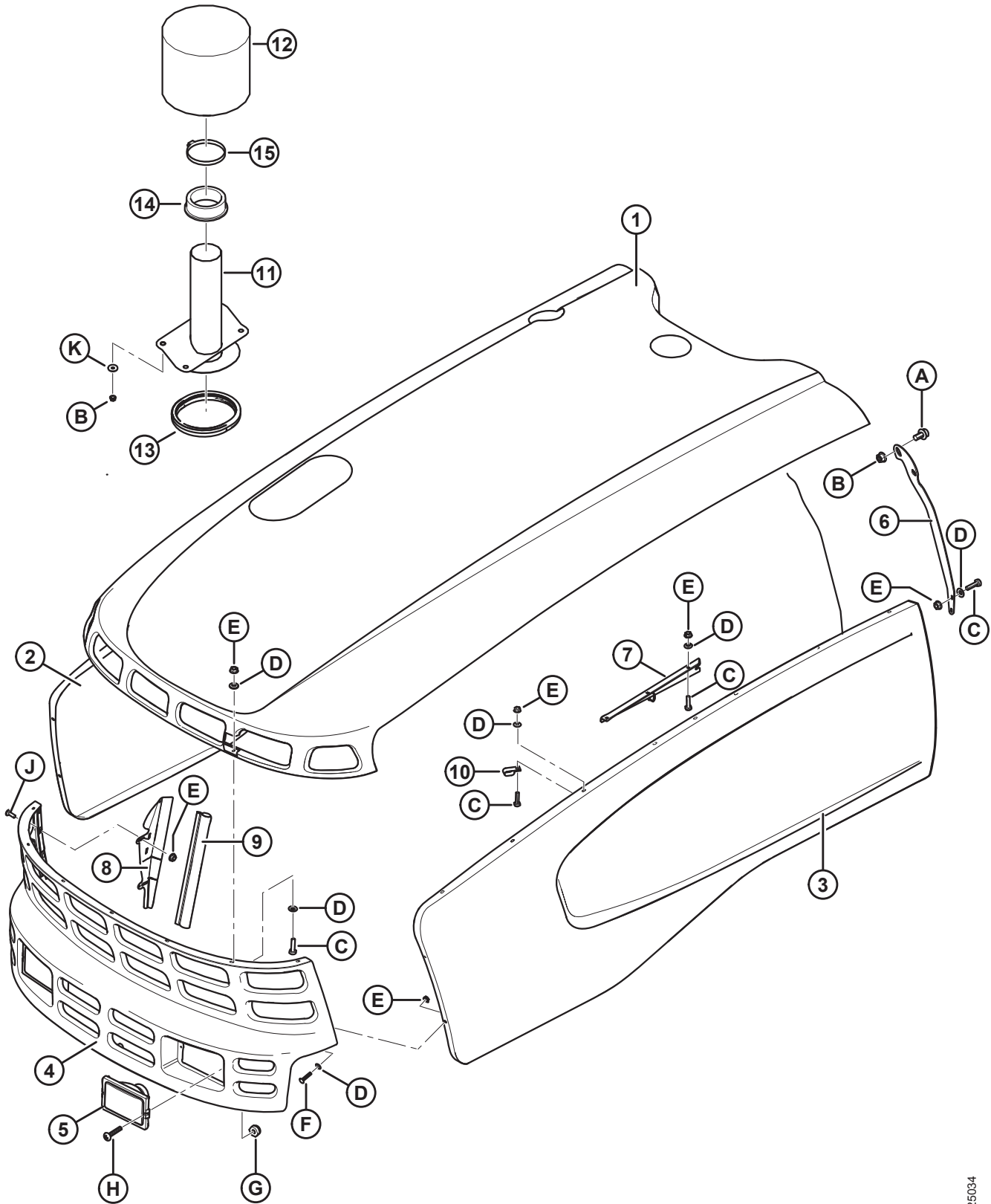


HOOD

Ref	Part Number	Description	Qty	Serial Number
1	139082	HOOD – TOP BONDING ASSY	1	
	204646	HOOD – TOP BONDING ASSY (EXPORT ONLY)	1	
2	139535	PANEL – LH HOOD	1	
3	139536	PANEL – RH HOOD	1	
	206487	PANEL – RH HOOD (EXPORT ONLY)	1	
4	110458	HOOD – GRILL BONDING ASSY	1	
5	110268	ASSY – ABL ROADLIGHT	2	
	110267	LIGHT – H4 BULB, 12 VOLT, 60/55 WATT		
	110266	INSULATOR – RUBBER BOOT (ABL ROADLITE)		
	110265	OPTICAL UNIT – ABL ROAD LIGHT		
	110264	BEZEL – ABL ROAD LIGHT		
6	183160	BRACE – LH HOOD	1	
	183161	BRACE – RH HOOD	1	
7	110416	SUPPORT – LH GAS SPRING	1	
	110417	SUPPORT – RH GAS SPRING	1	
8	183195	ANGLE – LH RAD/HOOD SEAL	1	
	183196	ANGLE – RH RAD/HOOD SEAL	1	
9	167078	SEAL – BULB, SIDE ANGLES, 480 MM LG	2	
10	135224	CLIP – WIRE HOLDER	3	
11	204076	SUPPORT – PRE-CLEANER (EXPORT ONLY)	1	
12	139917	PRE-CLEANER (EXPORT ONLY)	1	
13	183838	SEAL – PRE-CLEANER (EXPORT ONLY)	1	
14	183763	INSERT – EPDM 5 IN. TO 4 IN. REDUCER (EXPORT ONLY)	1	
15	163954	CLAMP – HOSE, LINED (EXPORT ONLY)	1	
	167769	HARNESS – HOOD, M SERIES (NOT ILLUSTRATED)	1	
	183465	KIT – HOOD REINFORCEMENT (NOT ILLUSTRATED) ⁴³	1	

43. Refer to Section *96 Hood Reinforcement Kit, page 267*.

HOOD

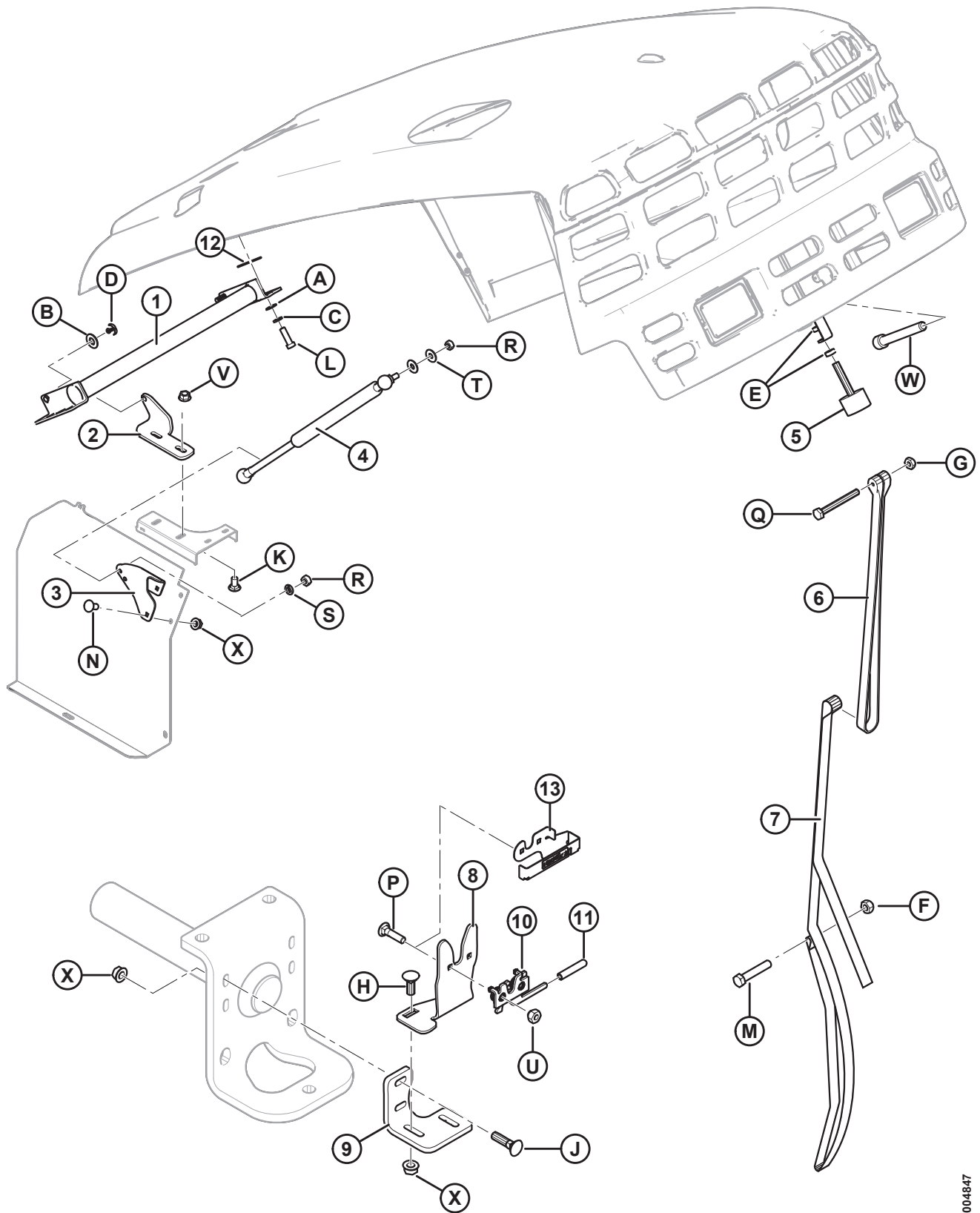


1025034

HOOD

Ref	Part Number	Description	Qty	Serial Number
A	21821	BOLT – HH FLG (SER FACE) 3/8 NC X 0.75 GR 5 ZP		
B	30228	NUT – FLG DT SMTH FACE 0.375-16 UNC		
C	21573	BOLT – HEX HD 1/4 NC X 1.0 LG GR 5 ZP		
D	112221	WASHER – STEEL/RUBBER		
E	21455	NUT – FLG (SER FACE) 1/4 NC GR 5 ZP		
F	135623	BOLT – RHSN 1/4 NC X 1.25 GR 5 ZP		
G	135159	NUT – NYLOC #6-32		
H	110477	SCREW – #6 X 0.75 IN.		
J	21476	BOLT – RHSN 1/4 NC X 0.75 GR 5 ZP		
K	118029	WASHER – FLAT (EXPORT ONLY)		

28 Hood Mechanism

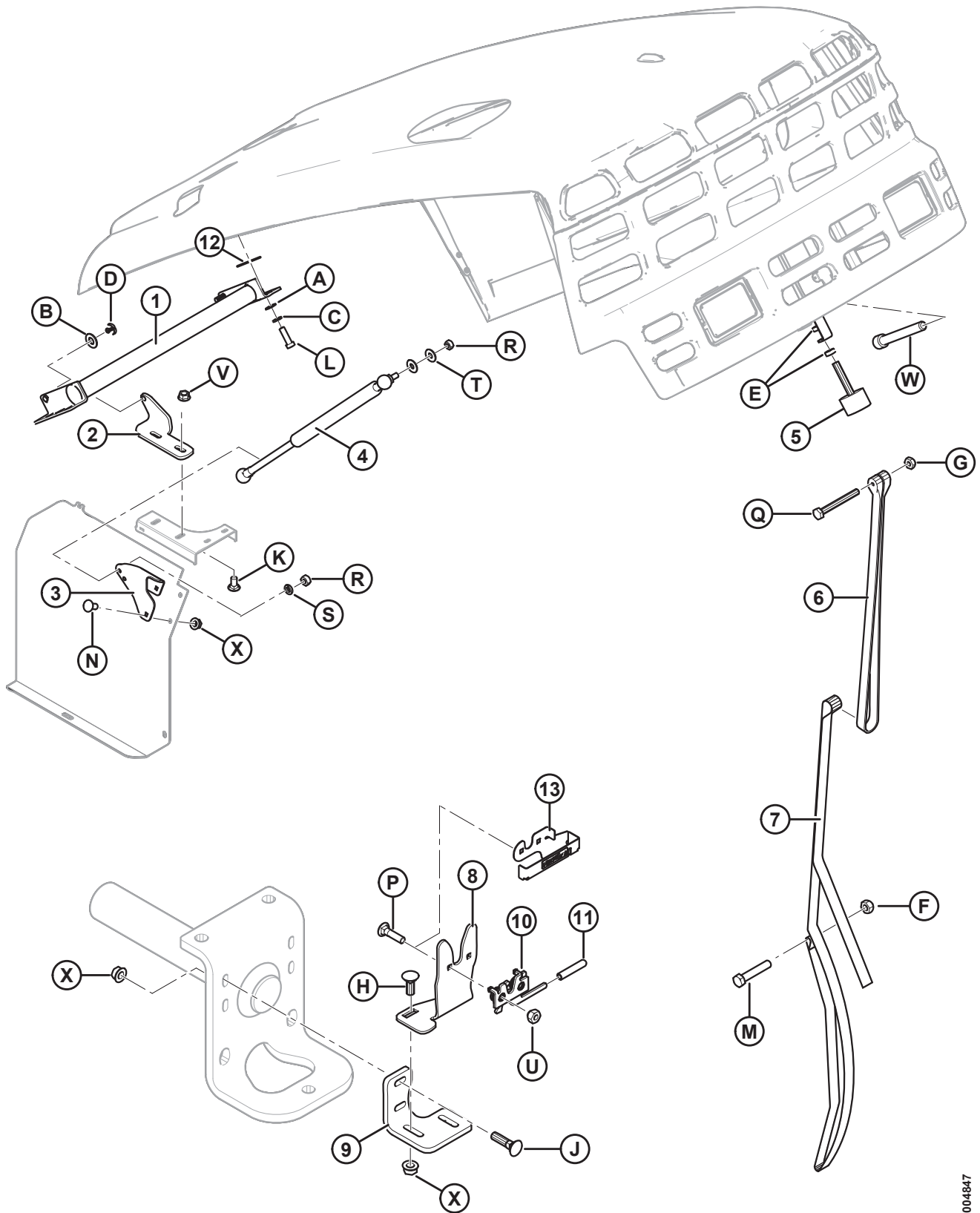


HOOD MECHANISM

Ref	Part Number	Description	Qty	Serial Number
1	110773	MEMBER – TORSION (HOOD PIVOT)	1	
2	183223	ANGLE – LH HOOD PIVOT	1	244010–
	183224	ANGLE – RH HOOD PIVOT	1	244010–
	110456	ANGLE – LH HOOD PIVOT	1	–244009
	110457	ANGLE – RH HOOD PIVOT	1	–244009
3	183221	ANCHOR – LH HOOD LIFT CYLINDER	1	244010–
	183222	ANCHOR – RH HOOD LIFT CYLINDER	1	244010–
	183242	ANCHOR – LH HOOD LIFT CYLINDER	1	–244009
	183243	ANCHOR – RH HOOD LIFT CYLINDER	1	–244009
4	110475	CYLINDER – GAS (HOOD)	2	
5	110354	BUMPER – RUBBER	1	
6	183424	STRAP – RUBBER	1	
7	110461	STRAP – HOOD PULL	1	
8	183220	SUPPORT – HOOD LATCH	1	244010–
	139411	SUPPORT – HOOD LATCH	1	–244009
9	110467	PLATE – LATCH MOUNT	1	
10	134003	ASSY – STIRRUP LATCH	1	
11	110817	COVER – SOFTEX GRIP (0.281 X 2.125 IN.)	1	
12	166132	SHIM – HOOD TO TORSION BAR	2	
13	166758	ASSY – LATCH COVER C/W DECALS ⁴⁴		
	166757	DECAL – TOOL ONLY LATCH COVER ⁴⁴		
A	18598	WASHER – SAE FLAT 13/32 I.D. X 13/16 IN. O.D. ZP		
B	18599	WASHER – SAE FLAT 17/32 I.D. X 1-1/16 IN. O.D. ZP		
C	18637	WASHER – REG. LOCK 3/8 IN. NOM. I.D. ZP		
D	18648	PIN – COTTER 3/16 DIA X 1.25 ZP		
E	18664	NUT – HEX JAM 3/8-16 UNC GR 5 ZP		
F	18669	NUT – HEX LOCK DT 3/8-16 UNC ZP		
G	18724	NUT – HEX LOCK DT 1/4-20 UNC ZP		
H	19965	BOLT – RHSN 3/8 NC X 1.0 GR 5 ZP		

44. European Union export only.

HOOD MECHANISM

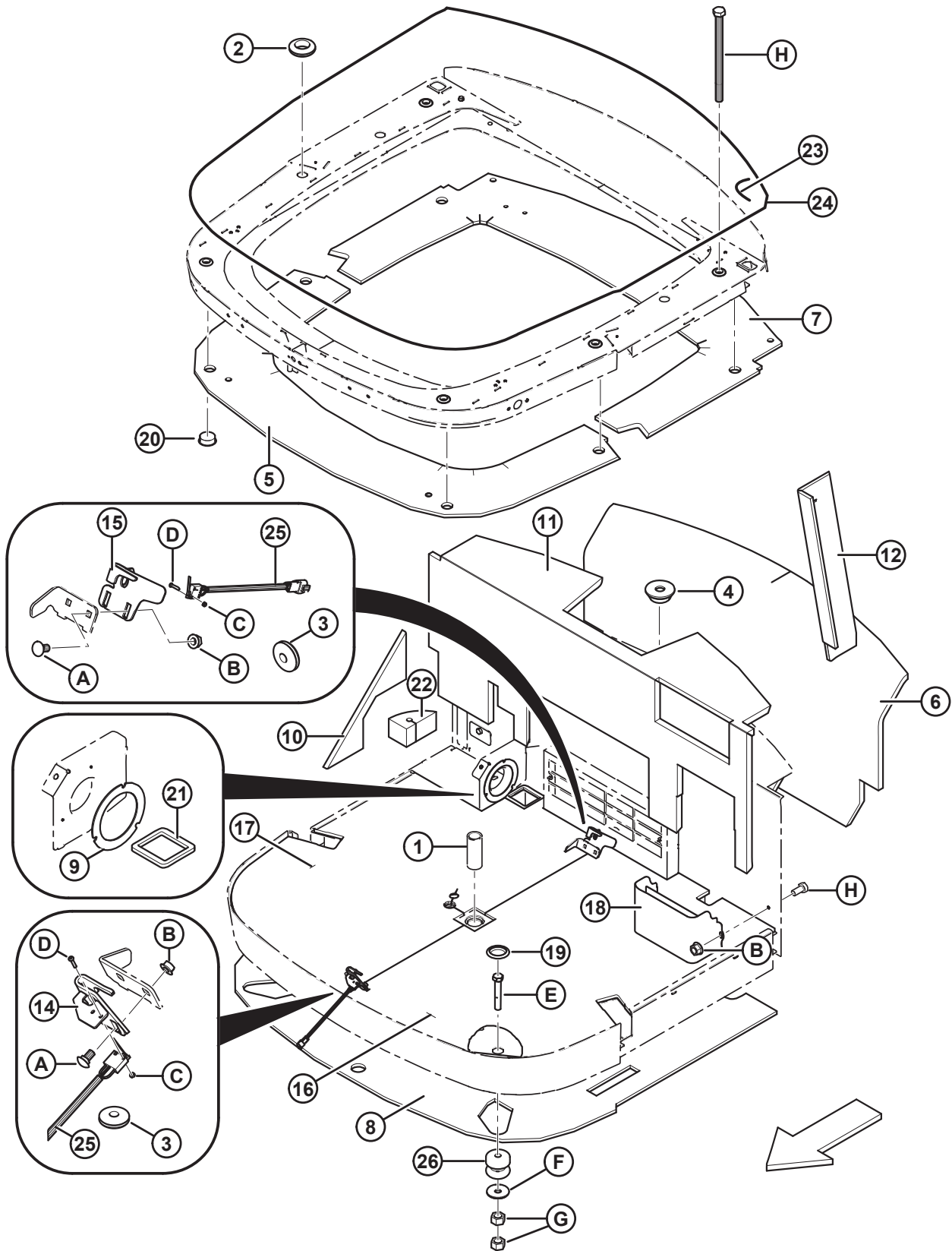


1004847

HOOD MECHANISM

Ref	Part Number	Description	Qty	Serial Number
J	21484	BOLT – RHSN 3/8 NC X 1.5 LG GR 5 ZP		
K	21066	BOLT – RHSN 1/2 NC X 1 GR 5 ZP		
L	21264	BOLT – HH 3/8 NC X 1.25 LG GR 5 ZP		
M	21354	BOLT – HH 3/8 NC X 2.0 LG GR 5 ZP		
N	21863	BOLT – RHSSN 3/8 NC X 0.75 LG GR 5 ZP		
P	21473	BOLT – RHSN 5/16 NC X 1.25 LG GR 5 ZP		
Q	30638	BOLT – HH 1/4 NC X 2.25 LG GR 5 ZP		
R	30505	NUT – HEX M10 X 1.5 ZP CLASS 10 STYLE 1		
S	30632	WASHER – LOCK SPRING M10 ZP		
T	30635	WASHER – FLAT M10 ZP		
U	35689	NUT – SPECIAL		
V	50186	NUT – FLG LOCK SM FACE DT 0.500-13 UNC GR 5		
W	135926	BOLT – HEX HD M12-1.75 X 100 ZN PL		
X	30228	NUT – FLG DT SMOOTH FACE 0.375-16 UNC		

29 Cab Seals, Grommets, Mounts, and Upholstery



CAB SEALS, GROMMETS, MOUNTS, AND UPHOLSTERY

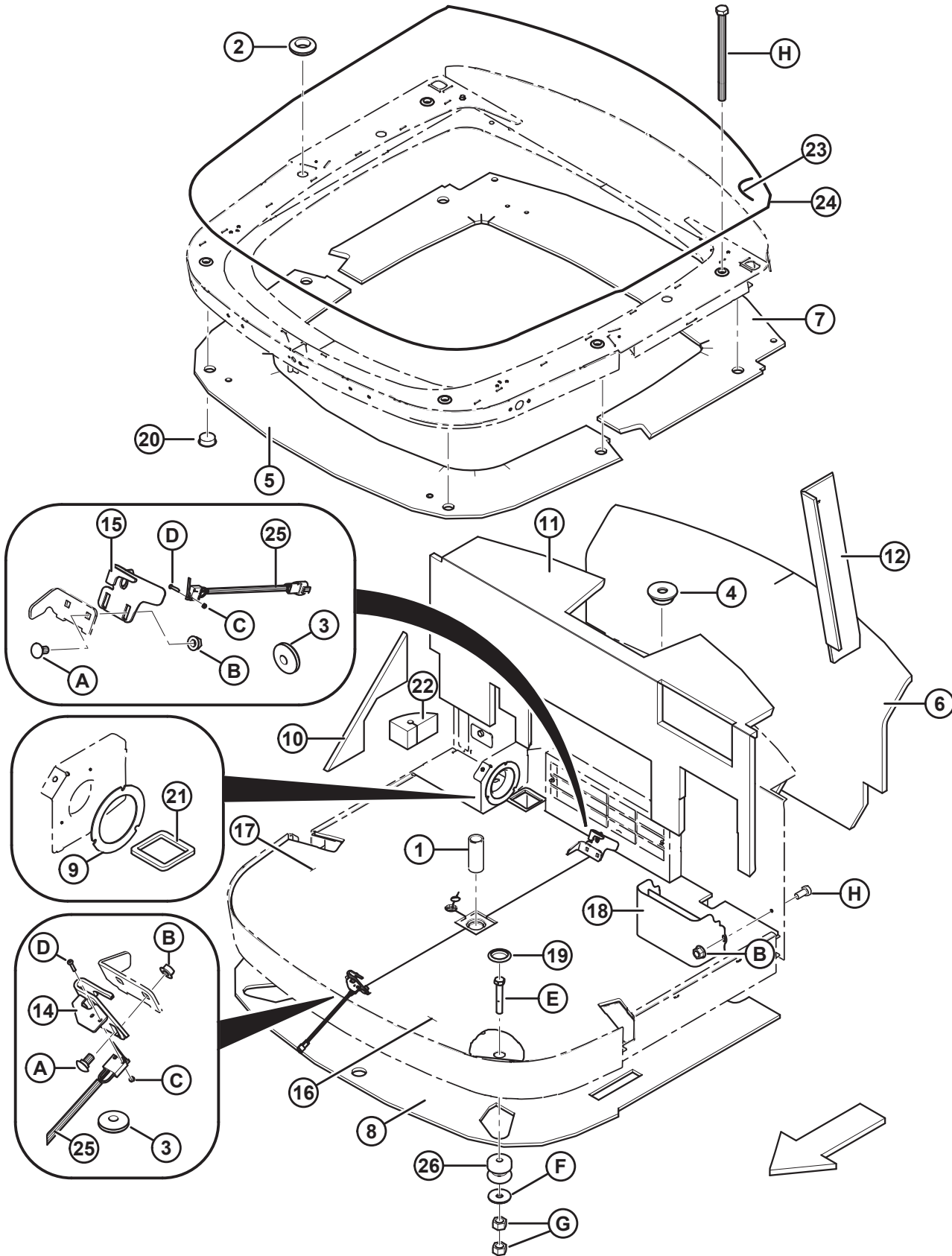
Ref	Part Number	Description	Qty	Serial Number
	208962	CAB – ASSEMBLY (SUSPENSION) ⁴⁵		301190–
	209047	CAB – ASSEMBLY (SUSPENSION) ⁴⁶		–301189
1	109350	BUSHING – SLEEVE, 1.5 IN.	1	
2	42046	GROMMET – 25.4 IN. I.D., 44.5 IN. O.D. X 12.5	6	
3	42415	GROMMET – 9.5 IN. I.D., 31.5 IN. O.D. X 10	3	
4	42080	GROMMET – 15.7 IN. I.D., 50 IN. O.D., ANGLED	1	
5	109729	INSULATOR – FRONT	1	
6	183425	INSULATOR – OUTSIDE REAR CAB	1	
7	183309	INSULATOR – REAR	1	
8	167702	INSULATOR – UNDER CAB FLOOR	1	
	138211	INSULATOR – UNDER CAB FLOOR ⁴⁷	1	
9	139225	INSULATOR – BLOWER	1	
10	138994	INSULATOR – CORNER	1	
11	183308	INSULATOR – REAR LOWER	1	
12	139120	INSULATOR – LEFT POST	1	
	139121	INSULATOR – RIGHT POST	1	
14	109734	LATCH – FRONT	1	
15	109735	LATCH – REAR	1	
16	139029	MAT – FLOOR, LH	1	
17	183310	MAT – FLOOR, RH	1	
18	109837	PANEL – LEFT STORAGE WELD'T	1	
19	30931	PLUG – PLASTIC SNAP-IN	4	
20	109761	PLUG – DECORATIVE	6	
21	139026	SEAL – BLOWER	1	
22	139034	SEAL – CORNER POST	1	
23	109789	SEAL – FOAM, 19 X 19 X 200 MM LG	2	
24	109790	SEAL – FOAM, 19 X 19 X 5900 MM LG	1	
25	109699	SWITCH – SNAP ACTION	1	
26	161378	PLUG – HOLE (Ø1.5 IN.)	1	

45. Model year 2017 and later. Includes items #1–26 and hardware. Does not include cab mounts.

46. Model year 2016 and prior. Includes items #1–26 and hardware. Does not include cab mounts.

47. Service part only for units made prior to 2014. For units made in 2014 and later, order MD #167702.

CAB SEALS, GROMMETS, MOUNTS, AND UPHOLSTERY

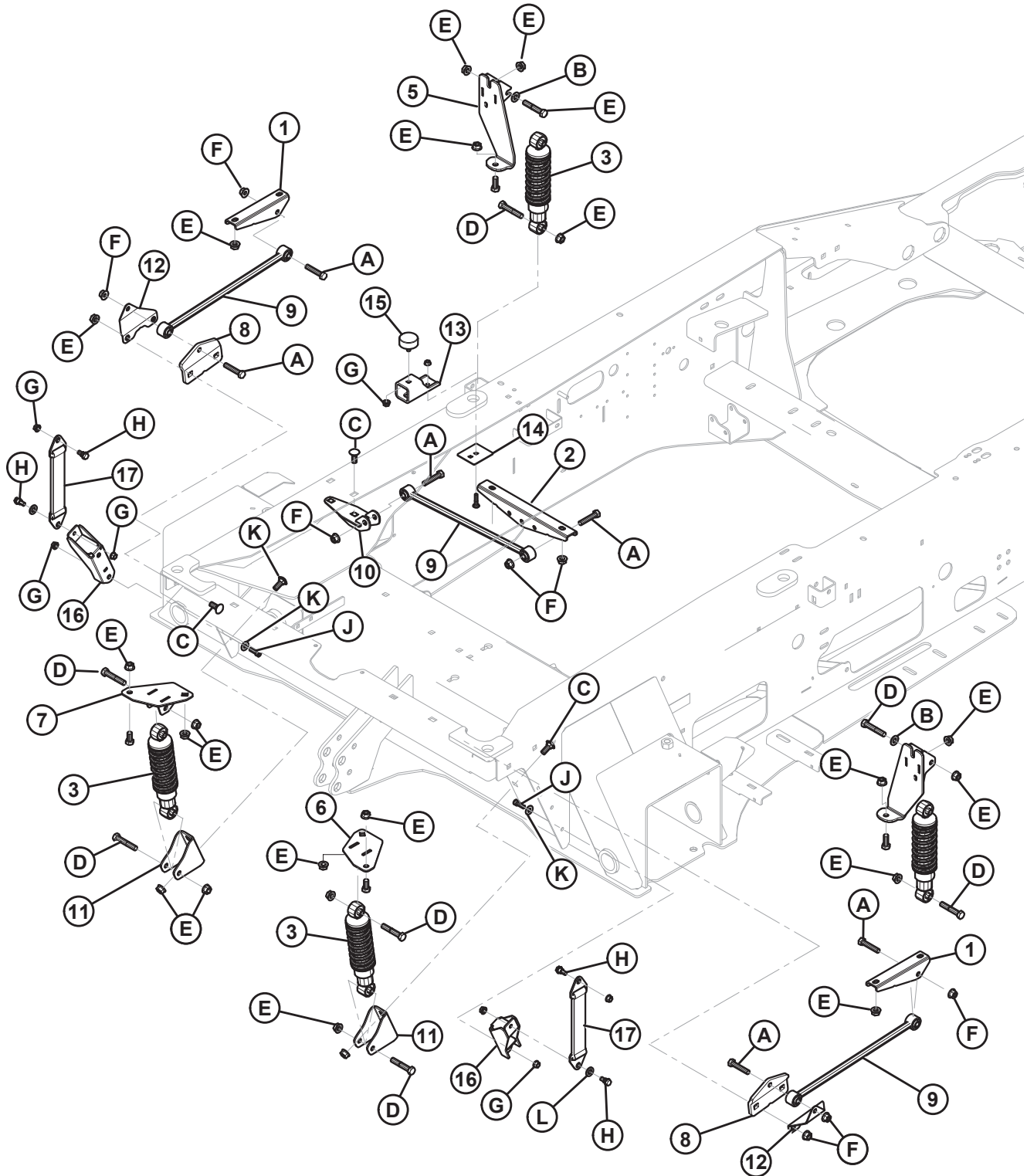


1017853

CAB SEALS, GROMMETS, MOUNTS, AND UPHOLSTERY

Ref	Part Number	Description	Qty	Serial Number
A	21472	BOLT – RHSN 3/8 NC X 0.75 GR 5 ZP		
B	30228	NUT – FLG DT SMTH FACE 0.375-16 UNC		
C	135159	NUT – NYLOC, #6		
D	135158	SCREW – PAN HEAD #6-32 X 3/4 LG		
E	21560	BOLT – HEX HD SAE 1429		
F	42592	WASHER – FLAT		
G	18591	NUT – HH 1/2-13 UNC GR 5 ZP		
H	30947	BOLT – HH 1/2 NC X 7.5 LG GR 5 ZP		

30 Cab Suspension



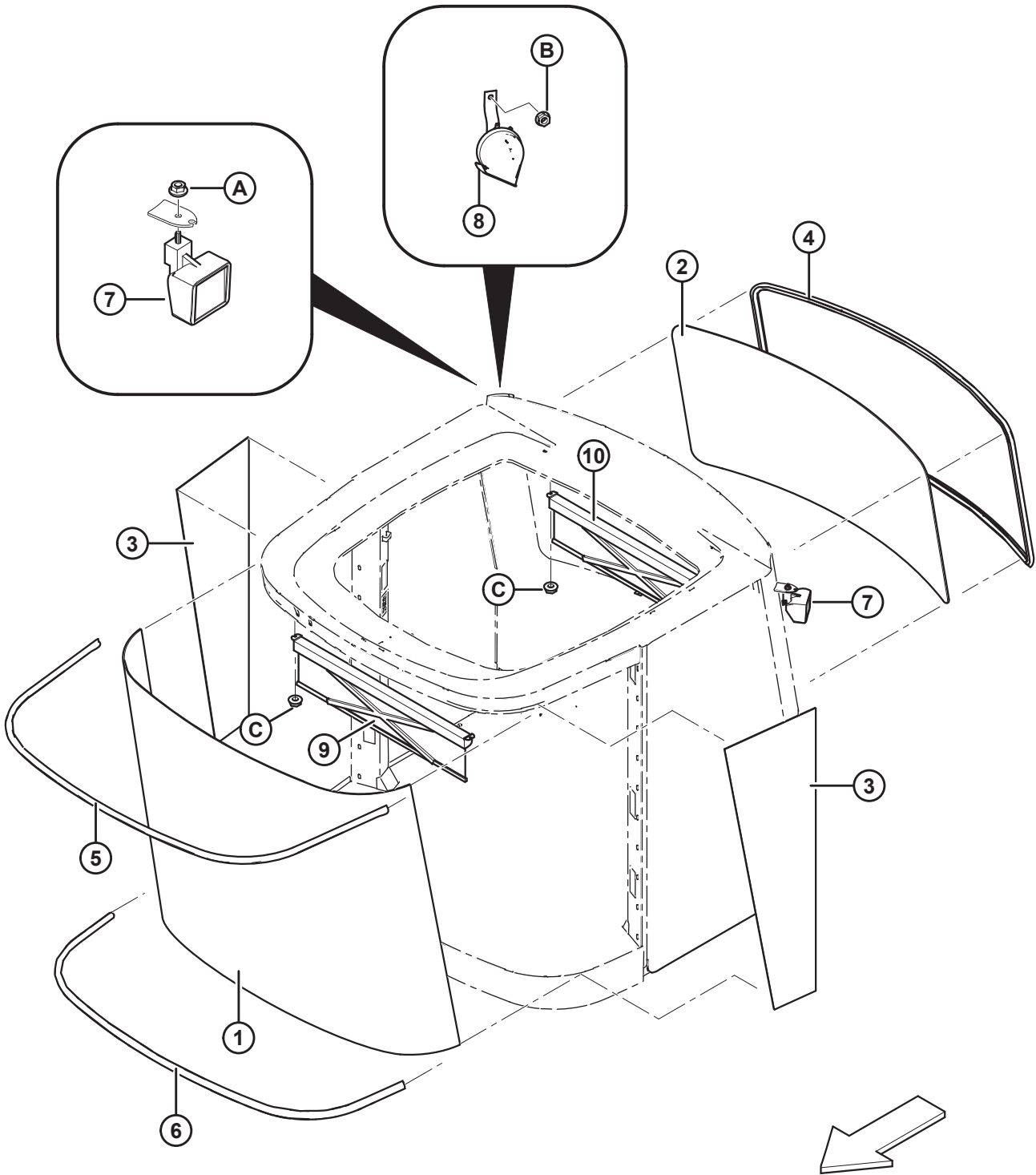
CAB SUSPENSION

Ref	Part Number	Description	Qty	Serial Number
1	166641	SUPPORT – LINK, REAR	2	
2	166642	SUPPORT – LINK, CENTER	1	
3	166827	DAMPENER – CAB ⁴⁸	4	
	166826	DAMPENER – KIT ⁴⁹		
4	139781	SUPPORT – CAB, LH REAR WELD'T	1	
5	139782	SUPPORT – CAB, RH REAR WELD'T	1	
6	138057	SUPPORT – CAB, LH FRONT WELD'T	1	
7	138058	SUPPORT – CAB, RH FRONT WELD'T	1	
8	166639	SUPPORT – LINK, FRONT	2	
9	183209	MEMBER – STABILIZING	3	
10	166644	SUPPORT – SIDE LINK, WELDMENT	1	
11	138163	SUPPORT – SHOCK	2	
12	166640	SUPPORT – LINK	2	
13	167509	BUMPER – PLATFORM REAR CAB	2	
14	167510	SUPPORT – REAR BUMPER CONSTRAINT	2	
15	167511	BUMPER – RUBBER	2	
16	167551	SUPPORT – LOWER LIMIT STRAP WELDT	2	
17	167523	STOP – LIMIT STRAP	2	
A	152274	BOLT – HH 1/2 NC X 2.25 LG GR 5 ZP		
B	18599	WASHER – SAE FLAT 17/32 I.D X 1-1/16 IN. O.D. ZP		
C	21471	BOLT – RHSN 1/2 NC X 1.25 GR 5 ZP		
D	21880	BOLT – HH 1/2 NC X 2.75 LG GR 5 ZP		
E	50186	NUT – FLG LOCK SM FACE DT 0.500-13 UNC GR5		
F	136036	NUT – HEX SMTH FLG M12 X 1.75-8-A3L		
G	30228	NUT – FLG DT SMOOTH FACE 0.375-16 UNC		
H	172259	BOLT – SHOULDER .375-16 UNC		
J	135381	SCREW – HEX SOC HD		
K	18670	WASHER – SAE FLAT 7/16 I.D. X 1.0 IN. O.D. ZP		
L	30636	WASHER – FLAT NARROW M12-S TL-SOFT-A2L		

48. Previously was MD #166205, which is no longer available and replaced by MD #166827 in 2015 model year. For windrower models 2014 and prior, MD #166205 and MD #166827 should not be mixed, replace with a complete set (MD #166826).

49. Consists of four cab dampeners (MD #166827).

31 Windows

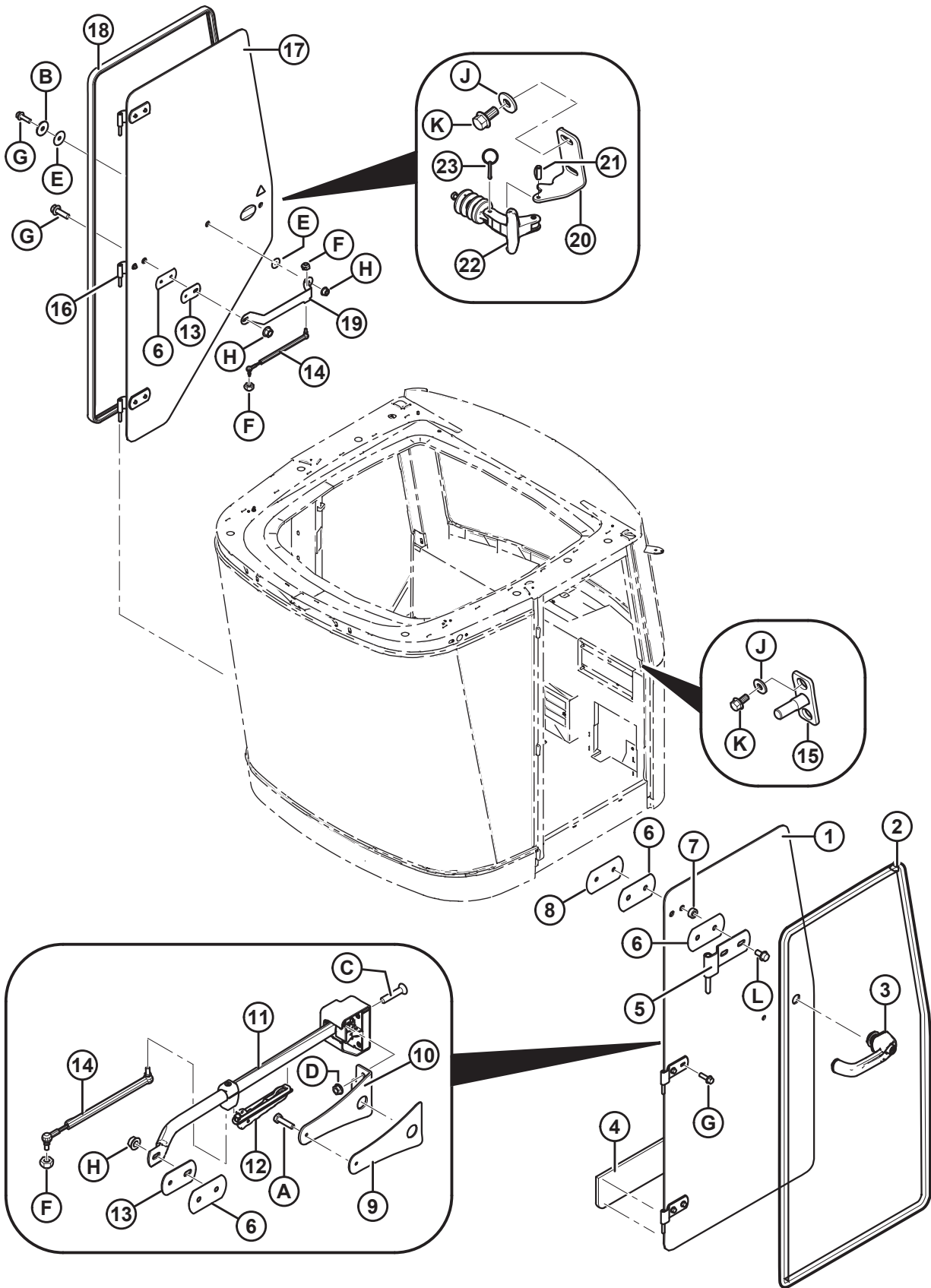


WINDOWS

Ref	Part Number	Description	Qty	Serial Number
	B4866	KIT – WINDOW SHADE ⁵⁰		
1	139683	WINDOW – FRONT	1	
2	109326	WINDOW – REAR	1	
3	109324	WINDOW – SIDE	2	
4	109538	SEAL – WINDOW REAR, 4370 MM LG	1	
5	109536	SEAL – WINDOW TOP, 2740 MM LG	1	
6	109721	SEAL – WINDOW BOTTOM, 2320 MM LG	1	
7	109717	LIGHT – WORK	2	
8	160373	HORN	1	
9	109834	SHADE – FRONT WINDOW	1	
10	109778	SHADE – REAR WINDOW	1	
A	50101	NUT – FLG LK PREV TORQUE SMTH FACE M10-1.5		
B	135248	NUT – FLG DT SMTH FACE 1/4-20 NC GR 5 ZP		
C	21455	NUT – FLG, 1/4 NC GR 5 ZP		

50. Includes front shade (MD #109834), rear shade (MD #109778), and hardware. Kits available through Whole Goods only.

32 Doors



DOORS

Ref	Part Number	Description	Qty	Serial Number
1	131388	DOOR – GLASS C/W DECAL ⁵¹	1	
2	208661	SEAL – DOOR	1	301190–
	209214	KIT – LEFT DOOR SEAL UPGRADE ⁵²	1	–301189
3	109743	HANDLE – OUTSIDE CAB	1	
	109701	KEY – SET OF 2		
4	109732	INSULATOR – DOOR	1	
5	208135	HINGE – LEFT DOOR	3	301190–
	209214	KIT – LEFT DOOR SEAL UPGRADE ⁵²	1	–301189
6	109598	GASKET – HINGE	12	
7	109585	SPACER	13	
8	201693	BAR – HINGE BACKING (2017 AND LATER)	4	301190–
	109601	BAR – HINGE BACKING (2016 AND PRIOR) ⁵³	4	–301189
9	109745	GASKET – DOOR LATCH	1	
10	109822	SUPPORT – LEFT LATCH	1	
11	183162	LATCH – LH CAB DOOR ⁵⁴	1	
12	139971	BEZEL	1	
13	202041	BAR – CENTER HINGE BACKING (2017 AND LATER)	2	301190–
	109739	BAR – CENTER HINGE BACKING (2016 AND PRIOR) ⁵³	2	–301189
14	109603	SPRING – GAS	2	
	110446	STUD – BALL	1	
15	109362	CATCH – WELDMENT	1	

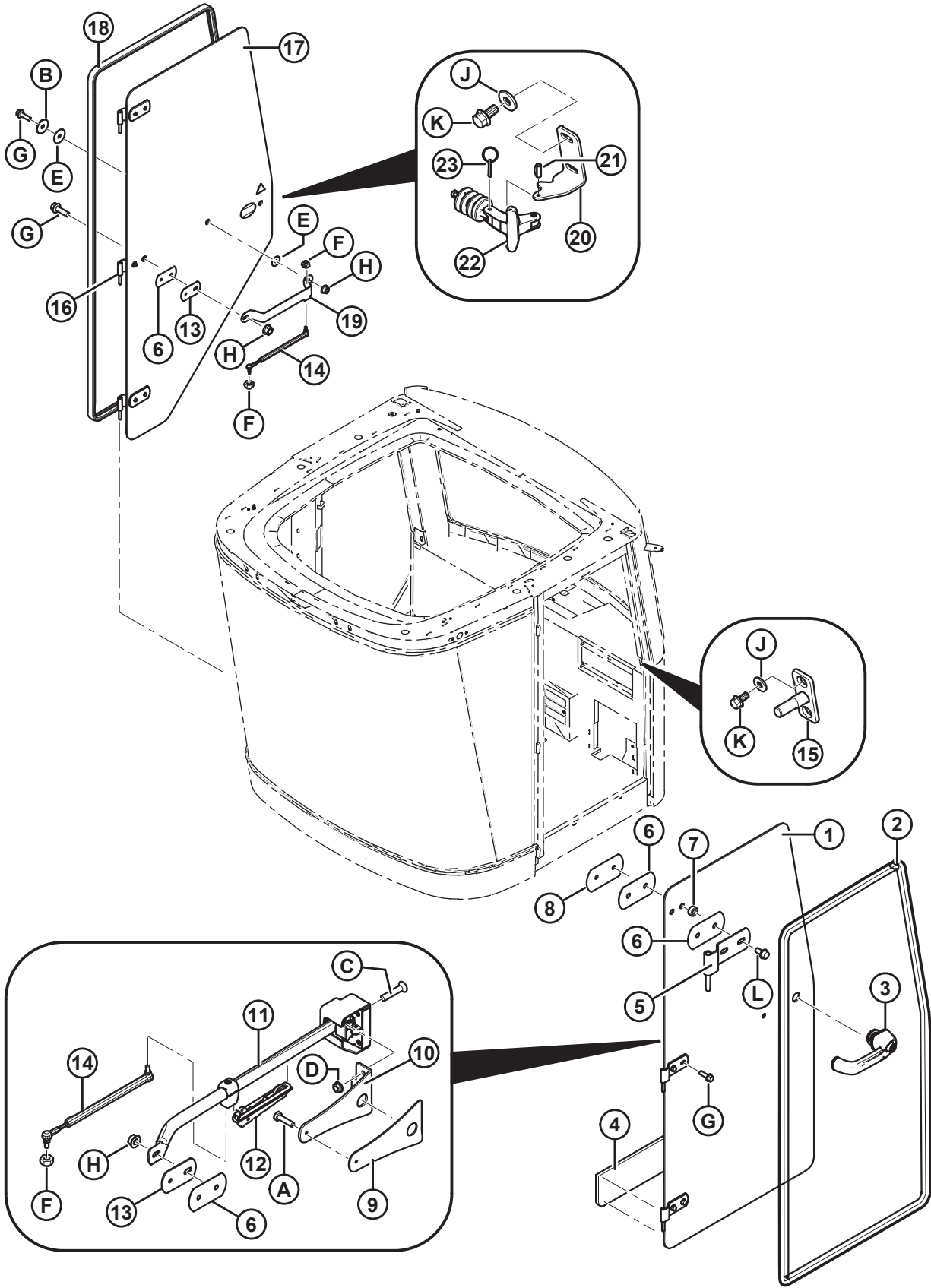
51. Includes decal (MD #166454).

52. Used to service door seal or left door hinges on units made in 2016 model year or prior. Kit includes door seal (MD #208661), three left door hinges (MD #208135), two hinge backing bars (MD #201693), center hinge backing bar (MD #202041), five screws (MD #136209), bolt (MD #30936), and nut (MD #30228).

53. Service part only for units made in 2016 model year or prior that have not been upgraded with left door seal upgrade kit (MD #209214) or right window seal upgrade kit (MD #206216).

54. Includes bezel (MD #139971).

DOORS



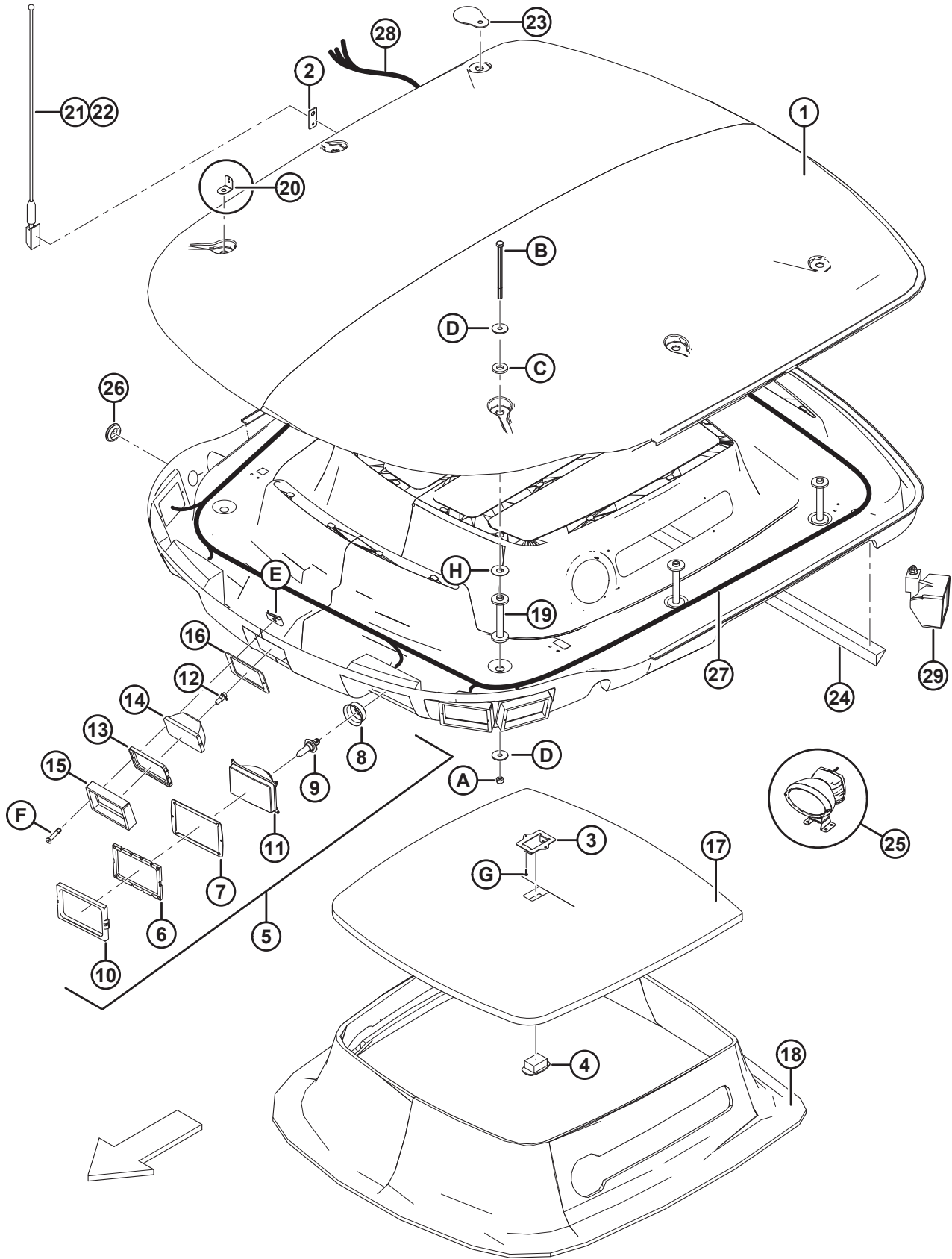
1004857

DOORS

Ref	Part Number	Description	Qty	Serial Number
16	208134	HINGE – RIGHT DOOR	3	301190–
	209216	KIT – RIGHT WINDOW SEAL UPGRADE KIT ⁵⁵	1	–301189
17	167505	WINDOW – HINGED RH C/W DECALS	1	
18	208986	SEAL – WINDOW, 4060 MM LG	1	301190–
	209216	KIT – RIGHT WINDOW SEAL UPGRADE KIT ⁵⁵	1	–301189
19	160197	HANDLE – WINDOW	1	
20	160192	ANCHOR – WINDOW LATCH	1	
21	252416	PIN – SPRING 3/16 DIA X 7/16 LG	1	
22	160188	LATCH – WINDOW (HOLD OPEN)	1	
23	160189	PIN – WINDOW LATCH	1	
A	135301	BOLT – HH M6 X 1 X 25 LG ZP		
B	16652	WASHER – FLAT		
C	30504	SCREW – FLAT CSK MACH 5/16 NC X 1-1/2 LG GR 5 ZP		
D	30280	NUT – FLG SIDE LK SMTH FACE 5/16 NC GR 5 ZP		
E	160202	WASHER		
F	18690	NUT – HEX LOCK DT 5/16-18 UNC ZP		
G	30936	BOLT – HH FLG (SER FACE) 3/8 NC X 1.25 GR 5 ZP		
H	30228	NUT – FLG DT SMOOTH FACE 0.375-16 UNC		
J	20535	WASHER – FLAT		
K	21821	BOLT – HH FLG (SER FACE) 3/8 NC X 0.75 GR 5 ZP		
L	136209	SCREW – HEX WSHR M10 X 1.5 X 20-450HV		

55. Used to service window seal or right door hinges on units made in 2016 model year or prior. Kit includes window seal (MD #208986), three right door hinges (MD #208134), two hinge backing bars (MD #201693), center hinge backing bar (MD #202041), five screws (MD #136209), bolt (MD #30936), and nut (MD #30228).

33 Roof and Headliner



ROOF AND HEADLINER

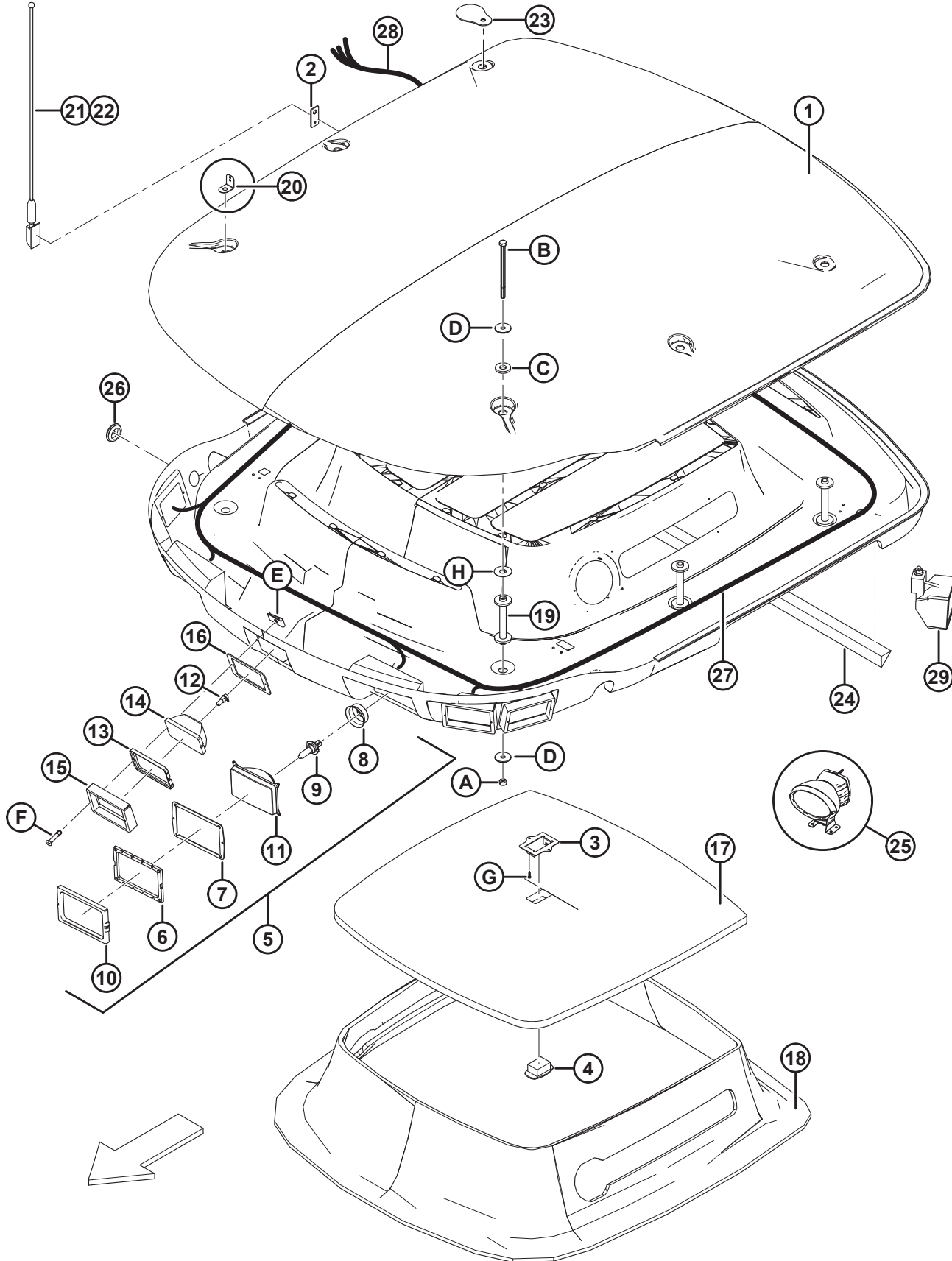
Ref	Part Number	Description	Qty	Serial Number
1	109980	ROOF – ASSEMBLY ⁵⁶	1	
2	109099	BAR	1	
3	109887	SUPPORT – AMBIENT LIGHT	1	
4	109908	LIGHT – AMBIENT	1	
5	110268	ASSY – ABL ROADLIGHT	2	
6	109776	GASKET – INNER	2	
7	109777	GASKET – OUTER	2	
8	110266	INSULATOR – RUBBER BOOT	1	
9	110267	LIGHT – H4 BULB 12 VOLT 60/55 WATT	1	
10	110264	BEZEL – ROAD LIGHT	1	
11	110265	OPTICAL UNIT – ROAD LIGHT	1	
12	109113	LAMP – BULB H3 12V/55W	5	
13	109697	GASKET – RUBBER	5	
14	109696	LIGHT – 3 X 5 OPTICAL UNIT	5	
15	109695	BEZEL – WORK LIGHT	5	
16	109110	GASKET – WORK LIGHT	5	
17	109528	INSULATOR – ROOF	1	
18	109622	INSULATOR – HEADLINER	1	
19	45783	SPACER WELDT	6	
20	183335	BRACKET – CABLE, RH ONLY	1	
21	166417	CABLE – ANTENNA (54 IN.)	1	
	166418	ANTENNA – RADIO (31 IN. STEEL MAST)	1	
22	160293	CAPACITOR – RADIO ANTENNA ⁵⁷	1	
23	160288	SUPPORT – ANTENNA ⁵⁸	1	
24	109996	INSULATOR – FOAM	1	

56. Includes roof and headliner.

57. Includes short harness with capacitor.

58. Used with CB or two-way radio.

ROOF AND HEADLINER



ROOF AND HEADLINER

Ref	Part Number	Description	Qty	Serial Number
25	REF	LAMP – H.I.D. LONG RANGE (OPTIONAL) ⁵⁹	2	
26	183315	PLUG – 1.75 IN. I.D.	1	
27	167971	HARNESS – ROOF (2017–LATER)	1	301190–
	30215	RELAY – MINI, 12 VDC	4	
	183858	KIT – HARNESS, ROOF (2016–PRIOR) ⁶⁰	A/R	–301189
28	183253	HARNESS – TRIMBLE ROOF	1	
29	REF	LIGHT – WORK ⁶¹	2	
A	18697	NUT – HEX LOCK DT .500-13 UNC		
B	30947	BOLT – HH 1/2 NC X 7.5 LG GR 5 ZP		
C	42045	WASHER – RUBBER		
D	42592	WASHER – FLAT		
E	42213	NUT – SPRING		
F	30949	SCREW – MACH PHILIPS PAN HD #6 NC X 1.0 LG ZP		
G	30492	SCREW – PHILIPS PAN HD #8 X 3/4 LG ZP		
H	43960	WASHER – FLAT ⁶²		

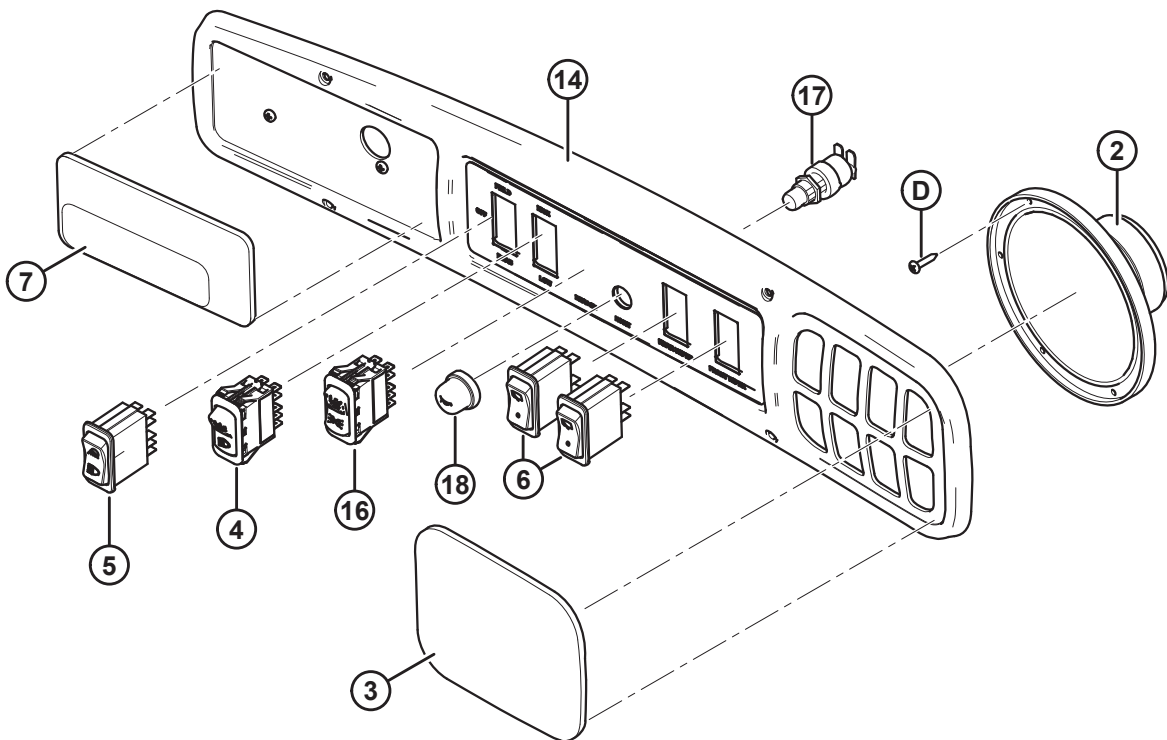
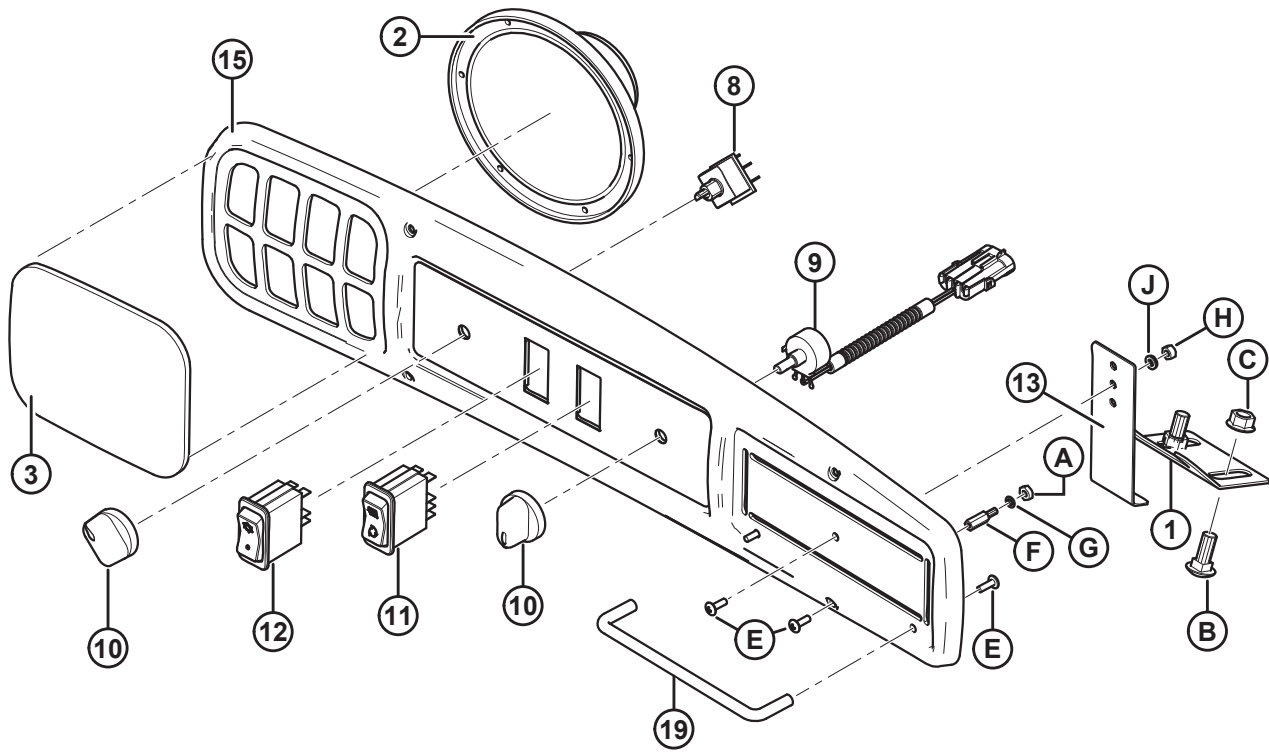
59. Included in optional H.I.D. Auxiliary Lighting Kit (MD #B5596, kits available through Whole Goods only). Refer to Section [36 Mirrors and Wipers – 2011 and Later, page 95](#).

60. Used to service roof harness on units made in 2016 model year and prior. Kit includes all required harnesses, breaker, cable ties, decals, and hardware.

61. Refer to Section [31 Windows, page 81](#).

62. Used on front two spacers only.

34 Headliner Switch Panels



HEADLINER SWITCH PANELS

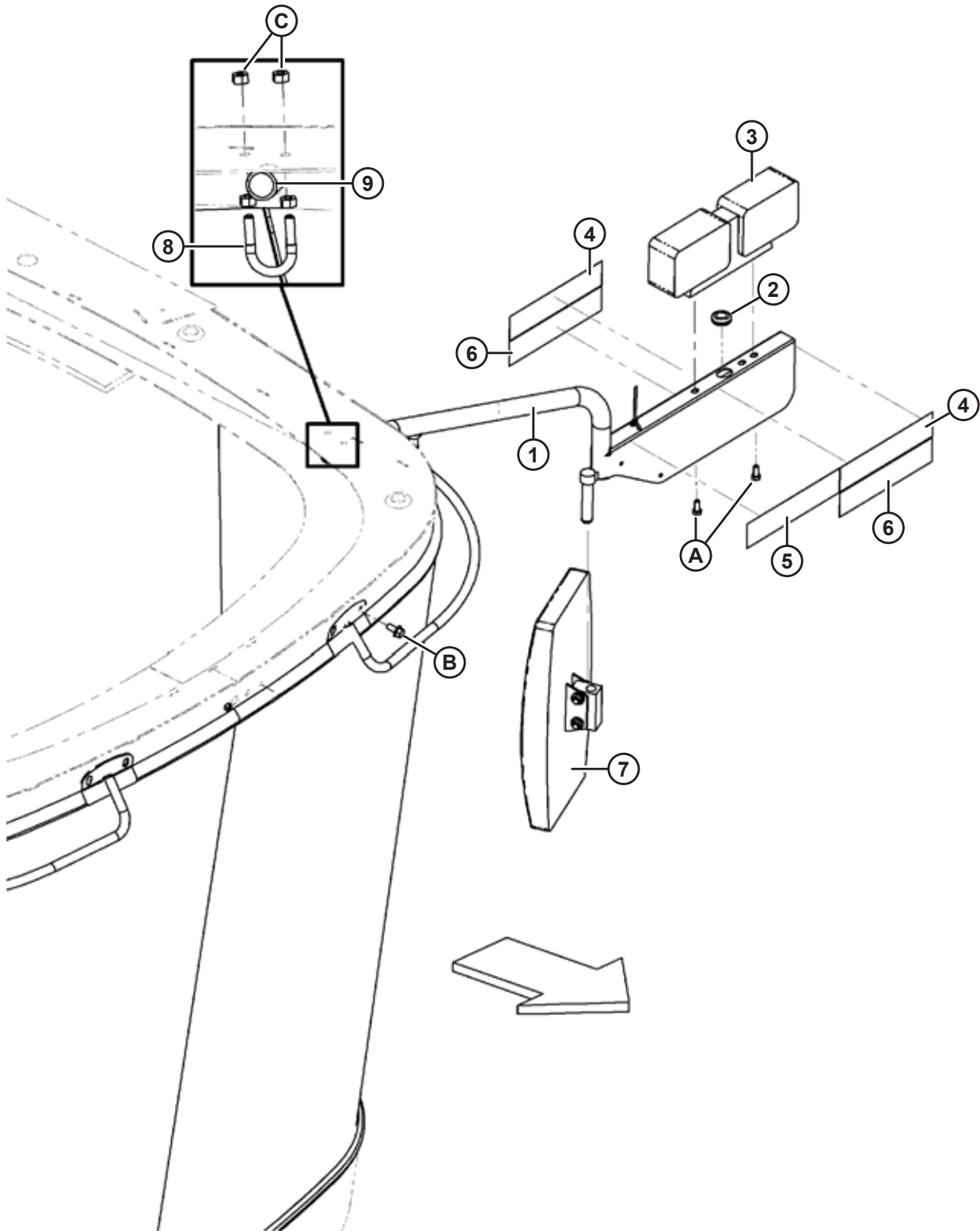
Ref	Part Number	Description	Qty	Serial Number
1	109762	RETAINER – RADIO SUPPORT	1	
2	109093	SPEAKER – RADIO	2	
3	109764	INSULATOR – SPEAKER GRILLE	2	
4	166274	SWITCH – ROCKER, ON-NONE-ON (HI/LO LIGHT)	1	
5	109568	SWITCH – ROCKER, ON-OFF-ON (MAIN LIGHT)	1	
6	109573	SWITCH – ROCKER, OFF-NONE-ON (WIPER)	2	
7	183413	LIGHT – INTERIOR	1	
8	109078	SWITCH – BLOWER	1	
9	109718	GAUGE – POTENTIOMETER TEMP. CONTROL	1	
10	109773	KNOB – PLASTIC	2	
11	109571	SWITCH – ROCKER, OFF-NONE-ON (A/C RECIRC.)	1	
12	109570	SWITCH – ROCKER, OFF-NONE-ON (A/C MAIN)	1	
13	109525	SUPPORT – RADIO	1	
14	160368	PANEL – INT LIGHT AND SWITCHES (LIGHT AND WIPER) ⁶³	1	
15	109766	PANEL – RADIO AND A/C CONTROLS ⁶³	1	
16	166154	SWITCH – ROCKER, ON-OFF (BEACON) ⁶⁴	1	
	160607	SWITCH – ROCKER, ON-OFF-ON (CLEAR LIGHT) ⁶⁵	1	
17	160375	SWITCH – HORN	1	
18	160376	CAP – HORN, SWITCH	1	
19	160414	HANDLE – RADIO SUPPORT	1	
A	18796	NUT – HEX #8-32 UNC GR 5 ZP		
B	19965	BOLT – RHSN 3/8 NC X 1.0 GR 5 ZP		
C	21452	NUT – FLG (SER. FACE) .375-16 UNC		
D	30492	SCREW – PHILIPS PAN HD #8 X 3/4 LG ZP		
E	109918	SCREW – MACHINE PHILIPS #8 NC X 0.5 LG GR 2		
F	109919	NUT – SPECIAL		
G	20042	WASHER – REG. LOCK #8 NOM. I.D. ZP		
H	197230	NUT – HEX NYLOC M5 X 0.8-8-A2L		
J	18634	WASHER – LOCK #10		

63. Includes speaker grill insulator (MD #109764) and decal.

64. All markets except Commonwealth of Independent States (CIS).

65. CIS markets only.

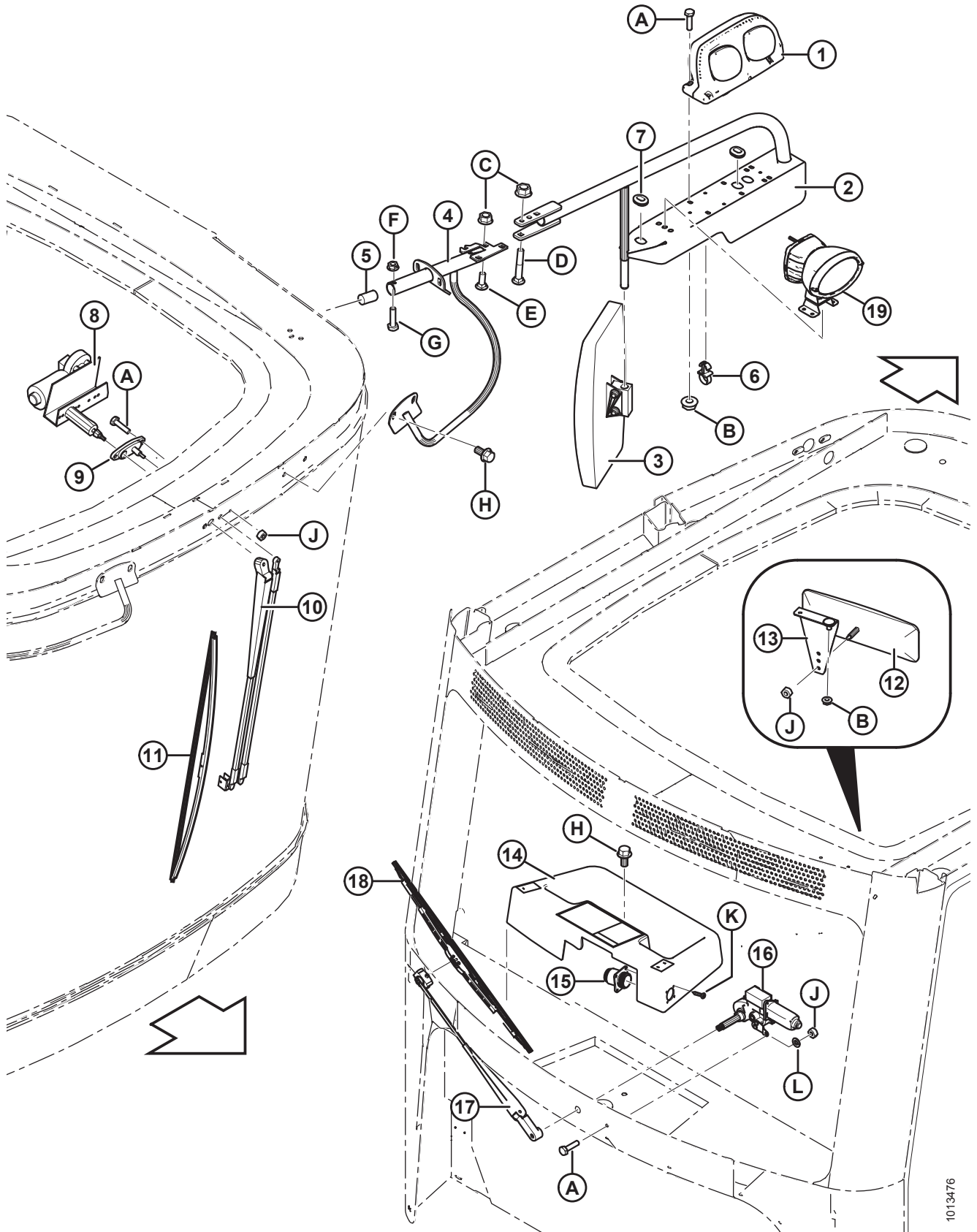
35 Mirror Arms – 2010 and Prior



MIRROR ARMS – 2010 AND PRIOR

Ref	Part Number	Description	Qty	Serial Number
1	160408	SUPPORT – LAMP/MIRROR L/H C/W REFLECTORS	1	
	160409	SUPPORT – LAMP/MIRROR R/H C/W REFLECTORS	1	
2	135258	GROMMET – RUBBER	2	
3	109592	LIGHT – COMBO LH (BULBS - 1157 RED, 1156 AMBER)	1	
	109593	LIGHT – COMBO RH (BULBS - 1157 RED, 1156 AMBER)	1	
	160358	LENS – RED		
	160359	LENS – AMBER		
	160360	LENS – BLACK, ALL MARKETS EXCEPT CIS		
	138950	LENS – CLEAR, CIS EXPORT MARKET ONLY		
4	115147	REFLECTOR – RED	4	
5	115145	REFLECTOR – FLUORESCENT RED-ORANGE	2	
6	115146	REFLECTOR – AMBER	4	
7	45835	MIRROR – CONVEX	2	
8	112973	U-BOLT	2	
9	109995	INSULATOR – FOAM BLOCK (MIRROR TUBE)	2	
A	30715	BOLT – HH M8 X 1.25 X 20 LG ZP		
B	21821	BOLT – HH FLG (SER FACE) 3/8 NC X 0.75 GR 5 ZP		
C	18590	NUT – HEX 3/8-16 UNC GR 5 ZP		

36 Mirrors and Wipers – 2011 and Later

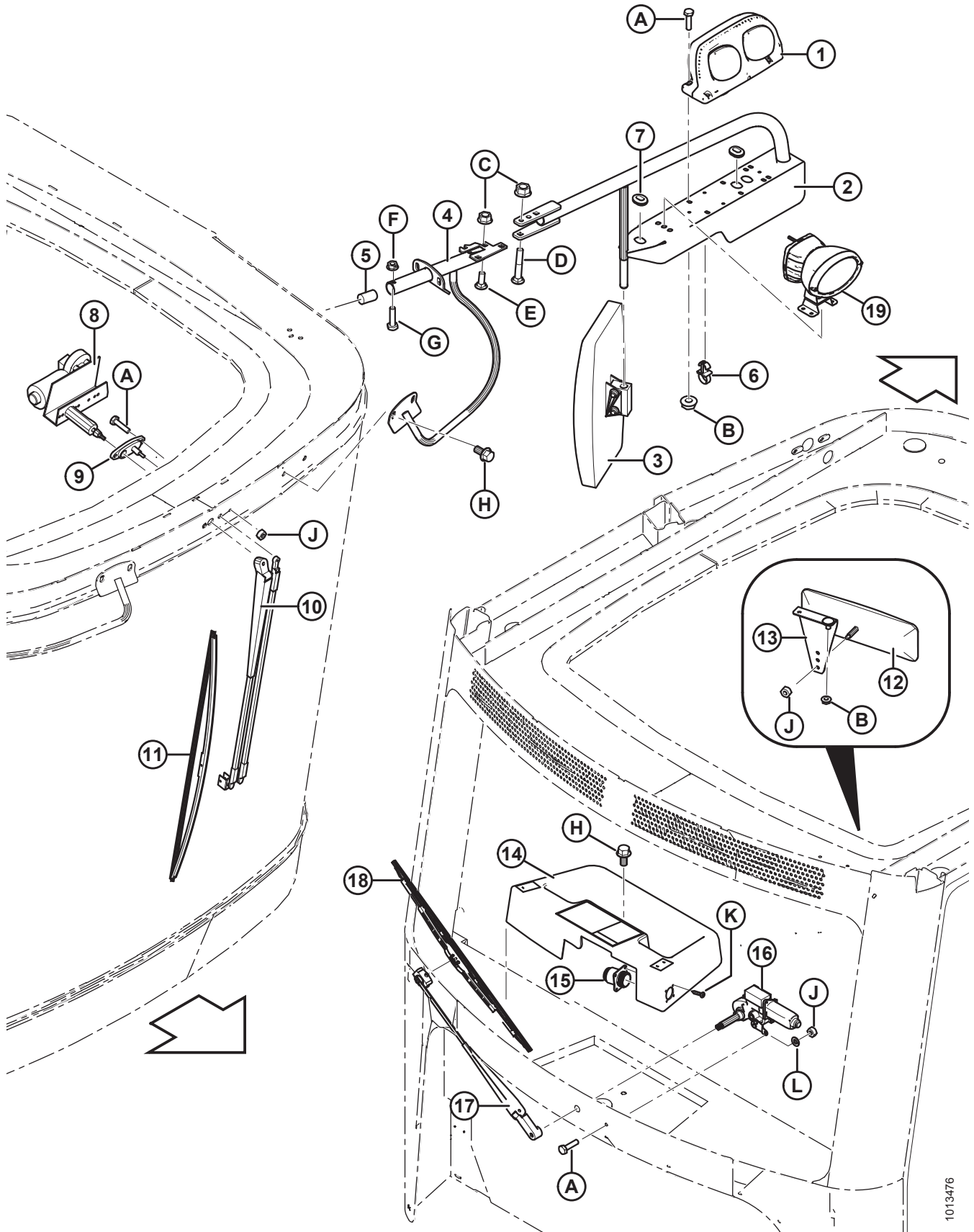


MIRRORS AND WIPERS – 2011 AND LATER

Ref	Part Number	Description	Qty	Serial Number
	B5596	KIT – H.I.D. AUXILLIARY LIGHTING (OPTIONAL) ⁶⁶		
1	138087	LAMP – STOP/TURN/TAIL, LH	1	
	138086	LAMP – STOP/TURN/TAIL, RH (NOT ILLUSTRATED)	1	
	139630	LENS – AMBER		
	139631	LENS – RED		
	139632	LENS – BLACK (OPAQUE)		
	139633	LENS – CLEAR (TRANSPARENT)		
	NSS	BULB – 7506 AMBER		
	NSS	BULB – 1077 RED		
2	139626	ASSEMBLY – LIGHT/MIRROR MOUNT C/W DECALS	2	
3	45835	MIRROR – CONVEX	2	
4	138260	SUPPORT – MIRROR, LH	1	
	138259	SUPPORT – MIRROR, RH (NOT ILLUSTRATED)	1	
5	109995	INSULATOR – FOAM	2	
6	30542	FASTENER – NYLON CLIP (BLACK)	4	
7	135258	GROMMET – RUBBER	4	
8	109825	MOTOR – ELEC WINDSHIELD WIPER (FRONT)	1	
9	109088	SUPPORT – ADAPTER KIT	1	
10	109578	ARM – WINDSHIELD WIPER 28 IN.	1	
11	109579	BLADE – WINDSHIELD WIPER 31.5 IN.	1	
12	109888	MIRROR HEAD	1	
13	109614	SUPPORT – MIRROR	1	
14	131271	ASSEMBLY – WIPER COVER	1	
15	160281	TERMINAL – DUAL POWER OUTLET	1	
	109081	CAP – POWER OUTLET	1	
16	109759	MOTOR – WIPER (REAR)	1	
17	160109	ARM – WINDSHIELD WIPER	1	
18	109824	BLADE – WINDSHIELD WIPER	1	
19	138799	LAMP – H.I.D. LONG RANGE (OPTIONAL)	2	

66. Includes two H.I.D. Long Range Lamps (MD #138799). Kits available through Whole Goods only.

MIRRORS AND WIPERS – 2011 AND LATER

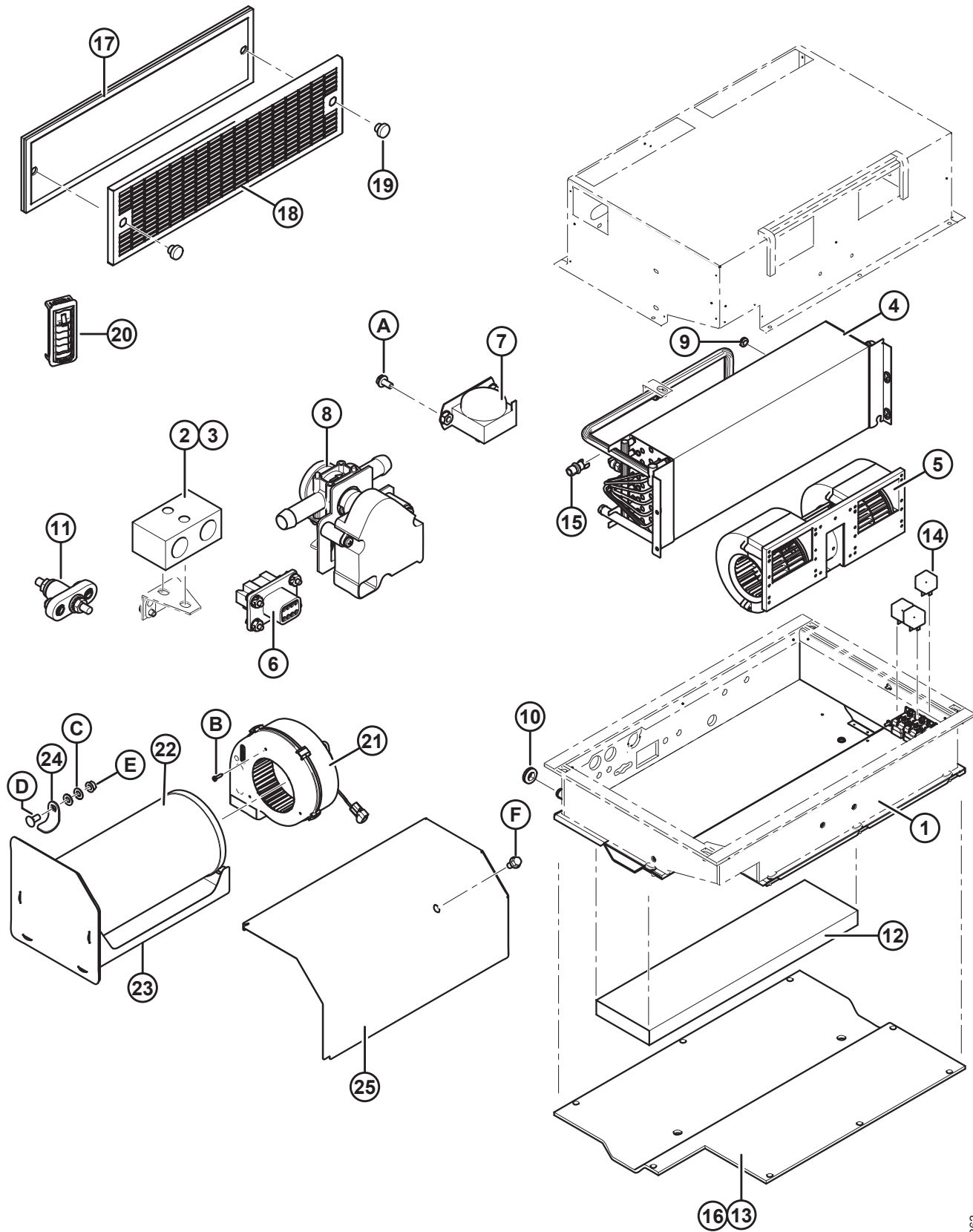


1013476

MIRRORS AND WIPERS – 2011 AND LATER

Ref	Part Number	Description	Qty	Serial Number
A	21573	BOLT – HEX HD 1/4 NC X 1.0 LG GR 5 ZN PL		
B	21455	NUT – FLG (SER FACE) 1/4 NC GR 5 ZN PL		
C	30228	NUT – FLG DT SMOOTH FACE 0.375-16 UNC		
D	21485	BOLT – RHSN 3/8 NC X 2.25 LG GR 5 ZN PL		
E	19965	BOLT – RHSN 3/8 NC X 1.0 GR 5 ZN PL		
F	135248	NUT – FLG SMTH FACE 1/4-20 NC GR5 ZP CTR LK DT THD		
G	21573	BOLT – HEX HD 1/4 NC X 1.0 LG GR 5 ZN PL		
H	21821	BOLT – HH FLG (SER FACE) 3/8 NC X 0.75 GR 5 ZN PL		
J	18588	NUT – HEX 1/4-20 UNC GR 5 ZN PL		
K	30492	SCREW – PHILIPS PAN HD #8 X 3/4 LG ZN PL		
L	18635	WASHER – REG. LOCK 1/4 IN. NOM. I.D. ZN PL		

37 Cab Air Conditioning and Heating – 2014 and Prior



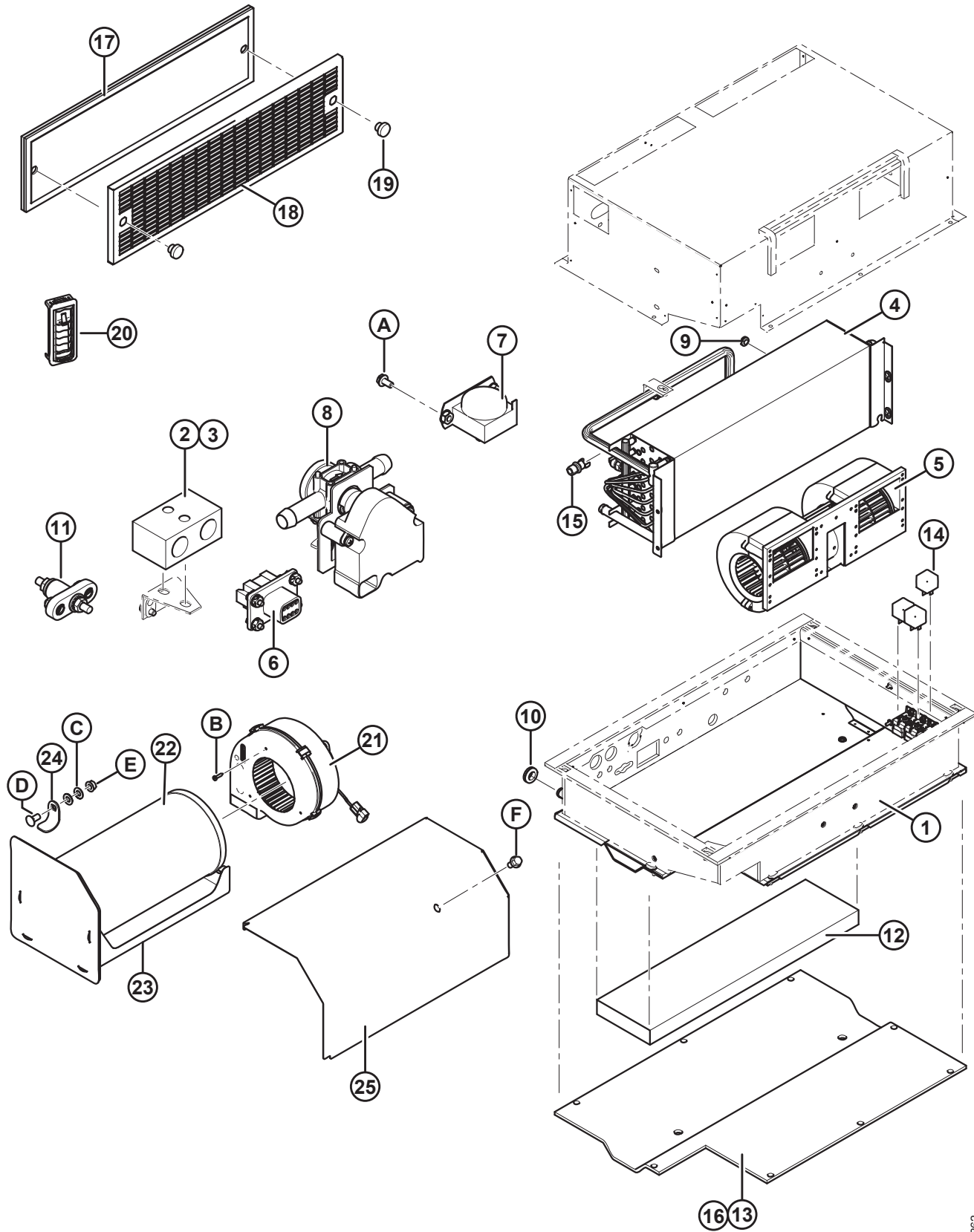
CAB AIR CONDITIONING AND HEATING – 2014 AND PRIOR

Ref	Part Number	Description	Qty	Serial Number
1	139467	ASSEMBLY – HEATER / EVAPORATOR BLOWER ⁶⁷	1	
2	42879	VALVE – EXPANSION	1	
3	183204	O-RING – #8 HNBR, GREEN	2	
4	139506	CORE – EVAPORATOR/HEATER	1	
5	109920	BLOWER	1	
6	109922	HARNESS – AIR CONDITIONING WIRING	1	
7	109923	THERMOSTAT	1	
8	109924	VALVE – HEATER C/W MOTOR	1	
9	109925	GROMMET	1	
10	109926	GROMMET	2	
11	109928	STUD – ELECTRICAL JUMPER	1	
12	109929	BAFFLE – CONDENSATE	1	
13	109930	COVER – BOX	1	
14	30215	RELAY	3	
15	138972	SWITCH – LOW PRESSURE	1	
16	139519	GASKET – EVAPORATOR BOX COVER	1	
17	109797	CLEANER – RECIRCULATION AIR ELECTROSTATIC	1	
18	109795	COVER – RECIRCULATION AIR FILTER	1	
19	109796	KNOB	2	
20	109626	VENTILATOR – RECTANGULAR LOUVER	12	
21	138934	BLOWER – FRESH AIR	1	
22	111060	ELEMENT – PRIMARY	1	
23	139149	PAN – FILTER C/W SEAL	1	
	139027	SEAL – FILTER TRAY	1	
24	138990	LATCH	1	
25	138930	COVER – AIR CLEANER, WELDT	1	
	138209	HOSE – A/C AIR INTAKE, FLEX (NOT ILLUSTRATED) ⁶⁸	1	
	167447	HOSE – A/C AIR INTAKE (NOT ILLUSTRATED) ⁶⁸	1	
	21913	CLAMP – HOSE (NOT ILLUSTRATED) ⁶⁸	1	

67. Replaced by MD #183545 in 2015 model year and later. Refer to Section *38 Cab Air Conditioning and Heating – 2015 and Later, page 103*. MD #139467 remains available for service only (includes #2–25 and hardware).

68. For 2011 units only. Refer to Service Bulletin SB1239 when replacing MD #138209. Order rigid hose (MD #167477) and clamp (MD #21913) to replace flex hose (MD #138209) due to the flex hose slipping out of position at the right cab post.

CAB AIR CONDITIONING AND HEATING – 2014 AND PRIOR

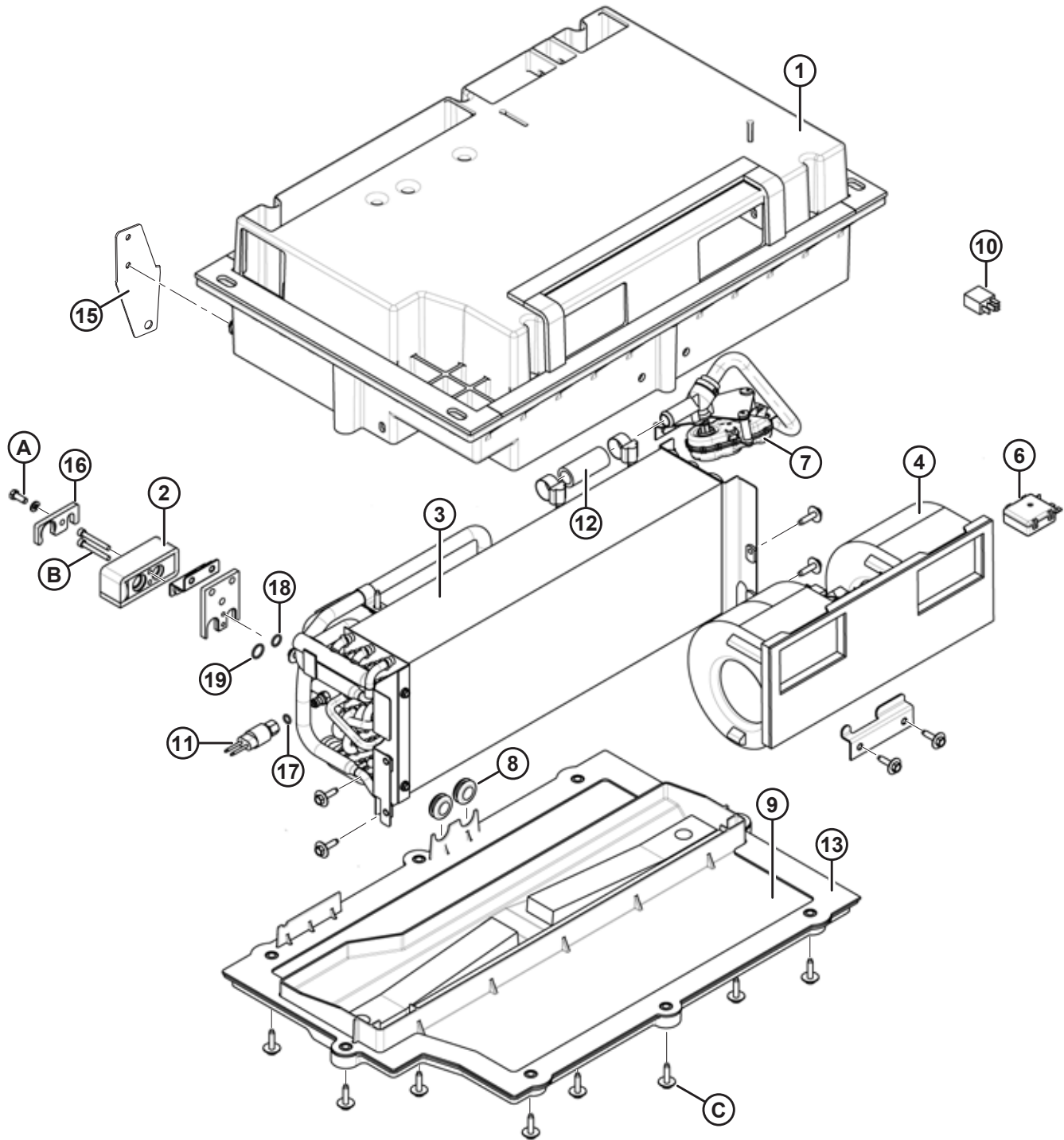


1004862

CAB AIR CONDITIONING AND HEATING – 2014 AND PRIOR

Ref	Part Number	Description	Qty	Serial Number
A	135469	SCREW – MACHINE		
B	30492	SCREW – PHILIPS PAN HD #8 X 3/4 LG ZP		
C	18598	WASHER – SAE FLAT 13/32 I.D X 13/16 IN O.D. ZP		
D	21863	BOLT – RHSSN 3/8 NC X 0.75 LG GR 5 ZP		
E	30228	NUT – FLG DT SMOOTH FACE 0.375-16 UNC		
F	21821	BOLT – HH FLG (SER FACE) 3/8 NC X 0.75 GR 5 ZP		

38 Cab Air Conditioning and Heating – 2015 and Later

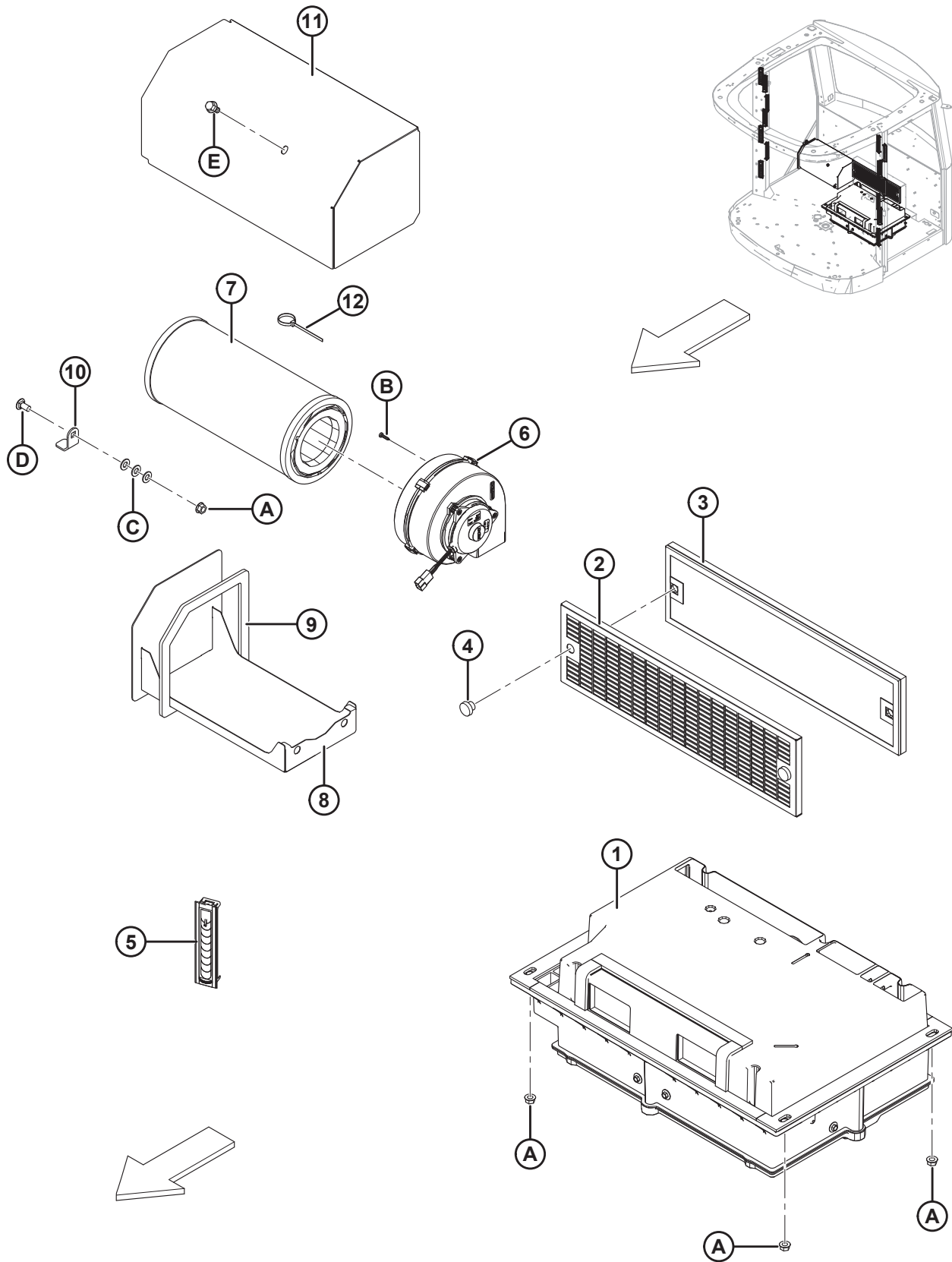


CAB AIR CONDITIONING AND HEATING – 2015 AND LATER

Ref	Part Number	Description	Qty	Serial Number
1	183545	ASSEMBLY – BASIC A/C AND HEATER COMBO CORE ⁶⁹		
2	183386	VALVE – EXPANSION	1	
3	183387	EVAPORATOR – HEATER CORE	1	
4	183388	BLOWER – MOTOR 12V	1	
5	183389	HARNESS – WIRING (NOT ILLUSTRATED)	1	
6	183390	THERMOSTAT – MODULE ASSY	1	
7	183391	VALVE – WATER, ELECTRONIC	1	
8	183392	GROMMET – TUBE 5/8 IN. I.D 3/16 IN. WALL	2	
9	183544	COVER – UNIT	1	
10	183394	RELAY – 12V, C/W RESISTOR SUPPRESSION	1	
11	183395	SWITCH – PRESSURE, 34-8 PSI, M10	1	
12	183396	HOSE – SILICON 5/8 IN. I.D, 57.15 MM LG	1	
13	183397	GASKET – COVER UNIT	1	
14	183398	SEAL – TXV (NOT ILLUSTRATED)	1	
15	207225	BRACKET – TXV FITTINGS	1	
16	205456	PLATE – FLG TXV #6 AND #12	1	
17	183203	O-RING – #6, HNBR GREEN	1	
18	183204	O-RING – #8, HNBR GREEN	1	
19	183202	O-RING – #10, HNBR GREEN	1	
A	136707	SCREW – M6 X 1.0-6G HEX CAP X 16 MM		
B	136708	SCREW – M5 X 0.8 X 40 MM CLASS 9.8 SKT CAP		
C	136709	SCREW – M6 X 1.0-6G X 22 MM		

⁶⁹. Includes #2–19 and hardware.

39 HVAC – Cab Group (2015 and Later)



HVAC – CAB GROUP (2015 AND LATER)

Ref	Part Number	Description	Qty	Serial Number
1	183545	ASSEMBLY – BASIC A/C AND HEATER COMBO CORE ⁷⁰	1	
2	109797	CLEANER – RECIRC AIR ELECTROSTATIC	1	
3	109795	COVER – RECIRC AIR FILTER	1	
4	109796	KNOB	2	
5	201746	VENTILATOR – RECTANGULAR LOUVER ⁷¹	14	301190–
	109626	VENTILATOR – RECTANGULAR LOUVER ⁷²	12	–301189
6	138934	BLOWER – FRESH AIR	1	
7	111060	ELEMENT – PRIMARY	1	
8	139149	PAN – FILTER C/W SEAL ⁷³	1	
9	139027	SEAL – FILTER TRAY	1	
10	138990	LATCH	1	
11	138930	COVER – AIR CLEANER, WELD'T	1	
12	21763	FASTENER – CABLE TIE, BLACK, 160 MM LG	1	
A	30228	NUT – FLANGE DT SMTH FACE 0.375-16 UNC		
B	30492	SCREW – PHILIPS PAN HD #8 X 3/4 LG ZP		
C	18598	WASHER – SAE FLAT 13/32 I.D. X 13/16 IN. O.D. ZP		
D	21863	BOLT – RHSSN 3/8 NC X 0.75 LG GR 5 ZP		
E	21821	BOLT – HH FLG (SER FACE) 3/8 NC X 0.75 GR 5 ZP		

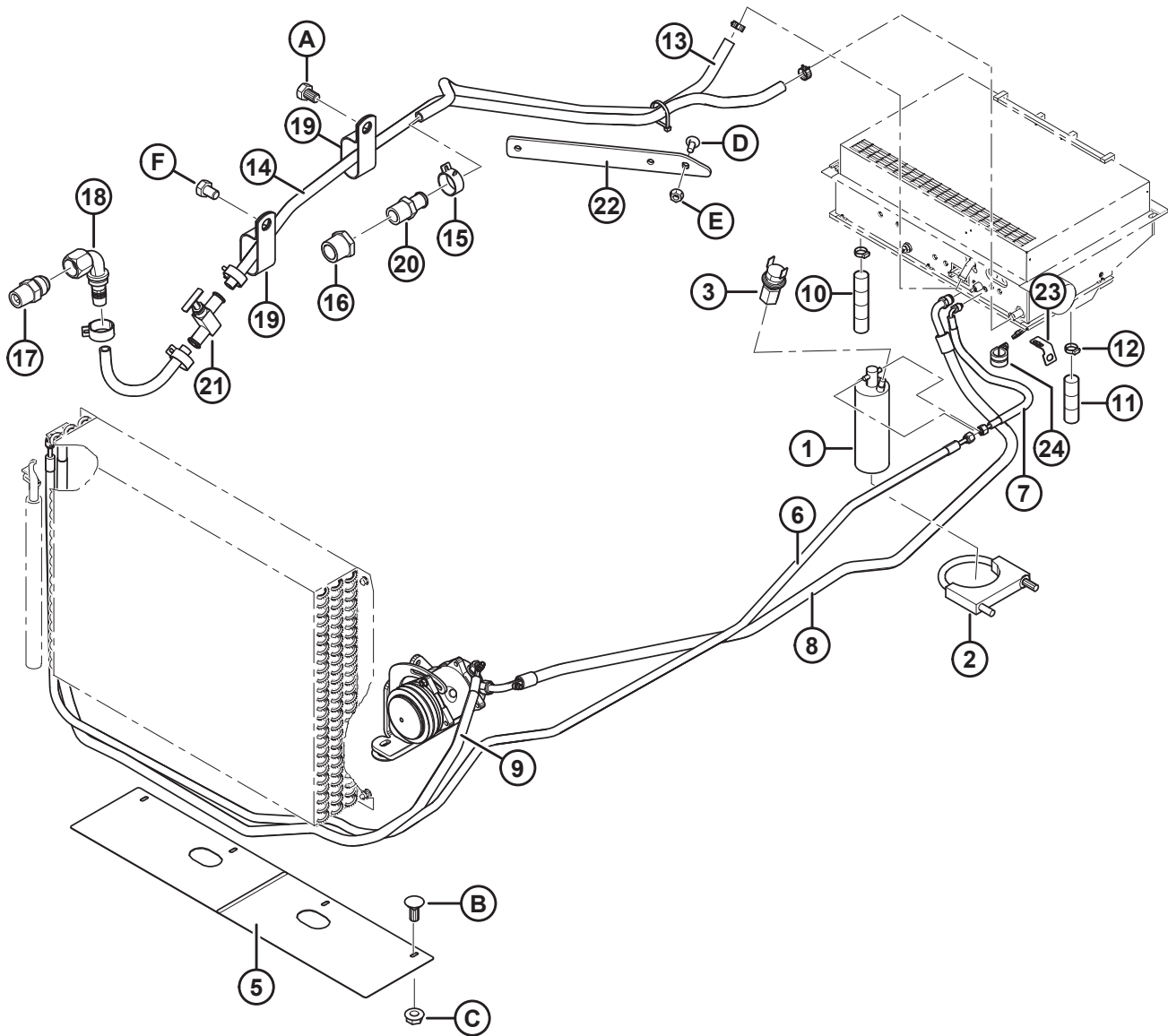
70. For service parts, refer to Section *38 Cab Air Conditioning and Heating – 2015 and Later, page 103*.

71. For units made in 2017 model year and later.

72. For units made in 2016 model year and prior.

73. Includes filter tray seal (MD #139027).

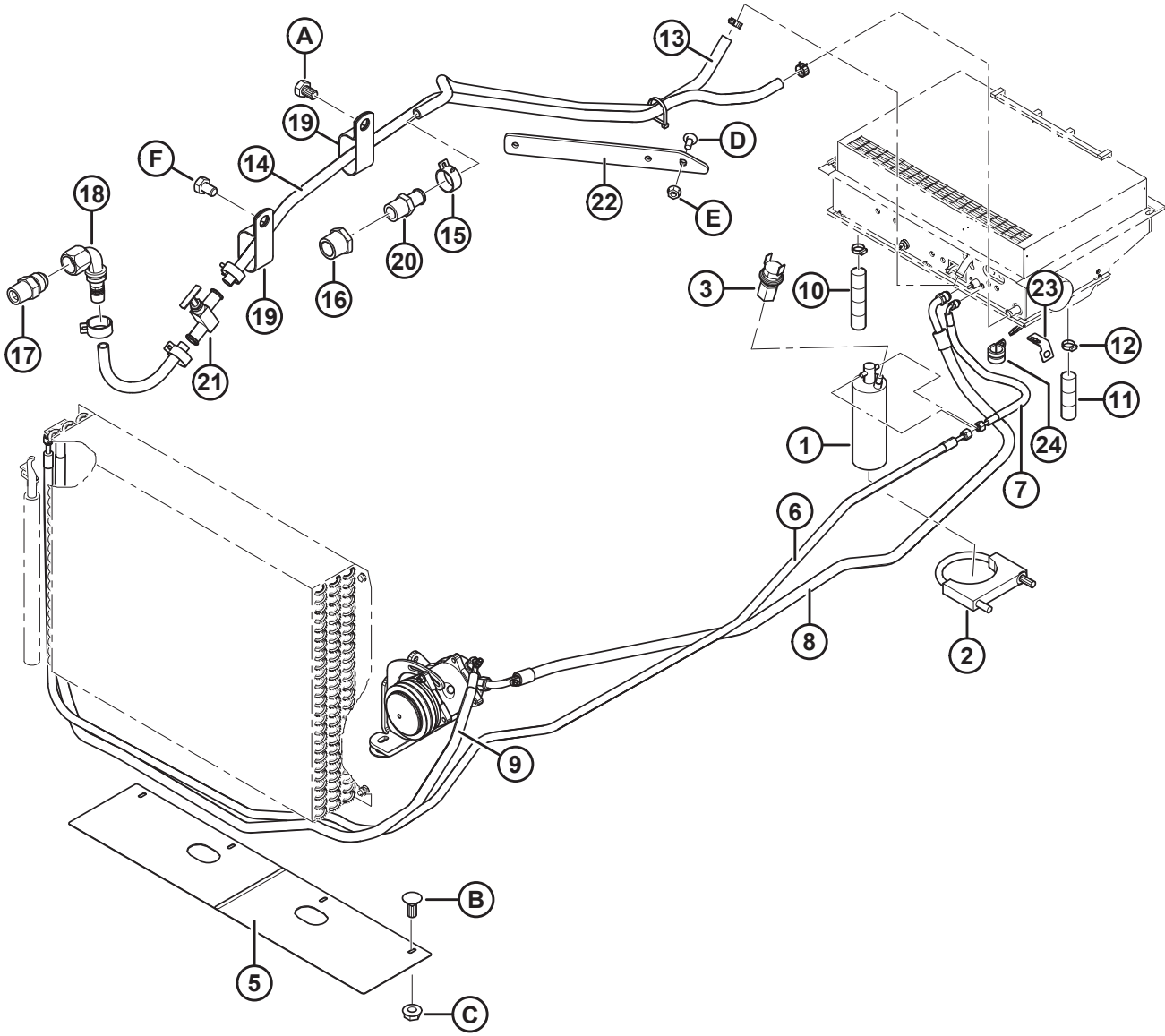
40 HVAC – Engine Group (2014 and Prior)



HVAC – ENGINE GROUP (2014 AND PRIOR)

Ref	Part Number	Description	Qty	Serial Number
1	183273	KIT – RECEIVER DRIER W/ DYE	1	
2	42469	CLAMP – PIPE	1	
3	183199	SWITCH – AIR COND HIGH	1	
5	110834	SHIELD – FAN (ENGINE AIR BLAST)	2	
6	138569	HOSE – AC COND TO DRIER	1	
	183203	O-RING – #6 HNBR, GREEN		
7	138706	HOSE – A/C DRYER TO EXPANSION VALVE	1	
	183203	O-RING – #6 HNBR, GREEN		
8	183261	HOSE – A/C EXP VALVE TO COMPRESSOR SUCTION	1	
	183202	O-RING – #10 HNBR, GREEN		
	183263	CAP – R134A LOW SIDE SERVICE VALVE		
	183264	VALVE – SCHRADER, HF, LOW SIDE, HNBR GREEN		
9	183260	HOSE – AC COMP TO COND	1	
	183204	O-RING – #8 HNBR, GREEN		
	183265	VALVE – SCHRADER, HF, HIGH SIDE, HNBR GREEN		
	183262	CAP – R134A HIGH SIDE SERVICE VALVE		
10	166002	HOSE – DRAIN, 1/2 IN. I.D., 2200 MM LG	1	
11	166003	HOSE – DRAIN, 1/2 IN. I.D., 1900 MM LG	1	
12	21053	CLAMP – GEAR TYPE	2	
13	110763	HOSE – HEATER, 5/8 IN. I.D., 1220 MM LG	1	
14	183185	HOSE – HEATER, 5/8 IN. I.D., 2200 MM LG	1	
15	112692	CLAMP – HOSE	6	
16	5745	FITTING – REDUCER BUSHING	1	
17	21746	FITTING – CONNECTOR HYD	1	
18	139062	FITTING – HEATER HOSE	1	
19	50022	CLAMP – INSULATED 15/16 INCH	2	
20	112662	FITTING – HEATER 1/2 NPT MALE X 5/8 IN. HOSE	1	
21	111391	VALVE – HEATER SHUTOFF	1	

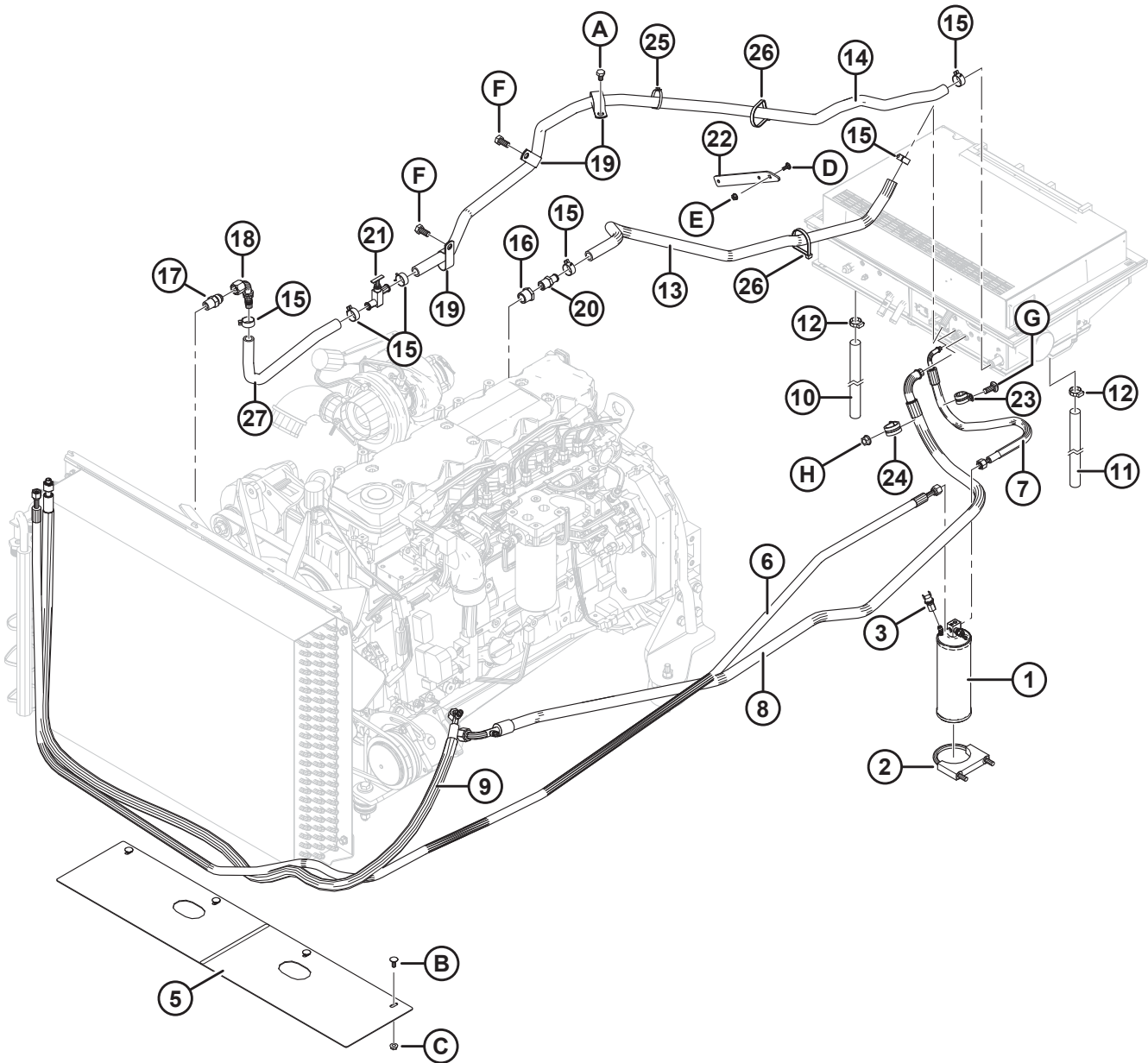
HVAC – ENGINE GROUP (2014 AND PRIOR)



HVAC – ENGINE GROUP (2014 AND PRIOR)

Ref	Part Number	Description	Qty	Serial Number
22	160533	BRACKET – CONDENSATE HOSE SUPPORT	1	
23	183232	BRACKET – CLAMP, HVAC BOX	1	
24	135709	CLAMP – INSULATED 3/4 IN.	1	
A	50071	BOLT – HH M10 X 1.5 X 15 LG ZP		
B	21281	BOLT – RHSN 5/16 NC X 0.75 GR 5 ZP		
C	30280	NUT – FLG SIDE LK SMTH FACE 5/16 NC GR 5 ZP		
D	30242	BOLT – RHSN 1/4 NC X 0.625 GR 5 ZP		
E	135248	NUT – FLG SMTH FACE 1/4-20 NC GR 5 ZP CTR LK DT		
F	50155	BOLT – HH M12 X 1.75 X 25 LG ZP		
G	30505	NUT – HEX M10 X 1.5-10-A3L		

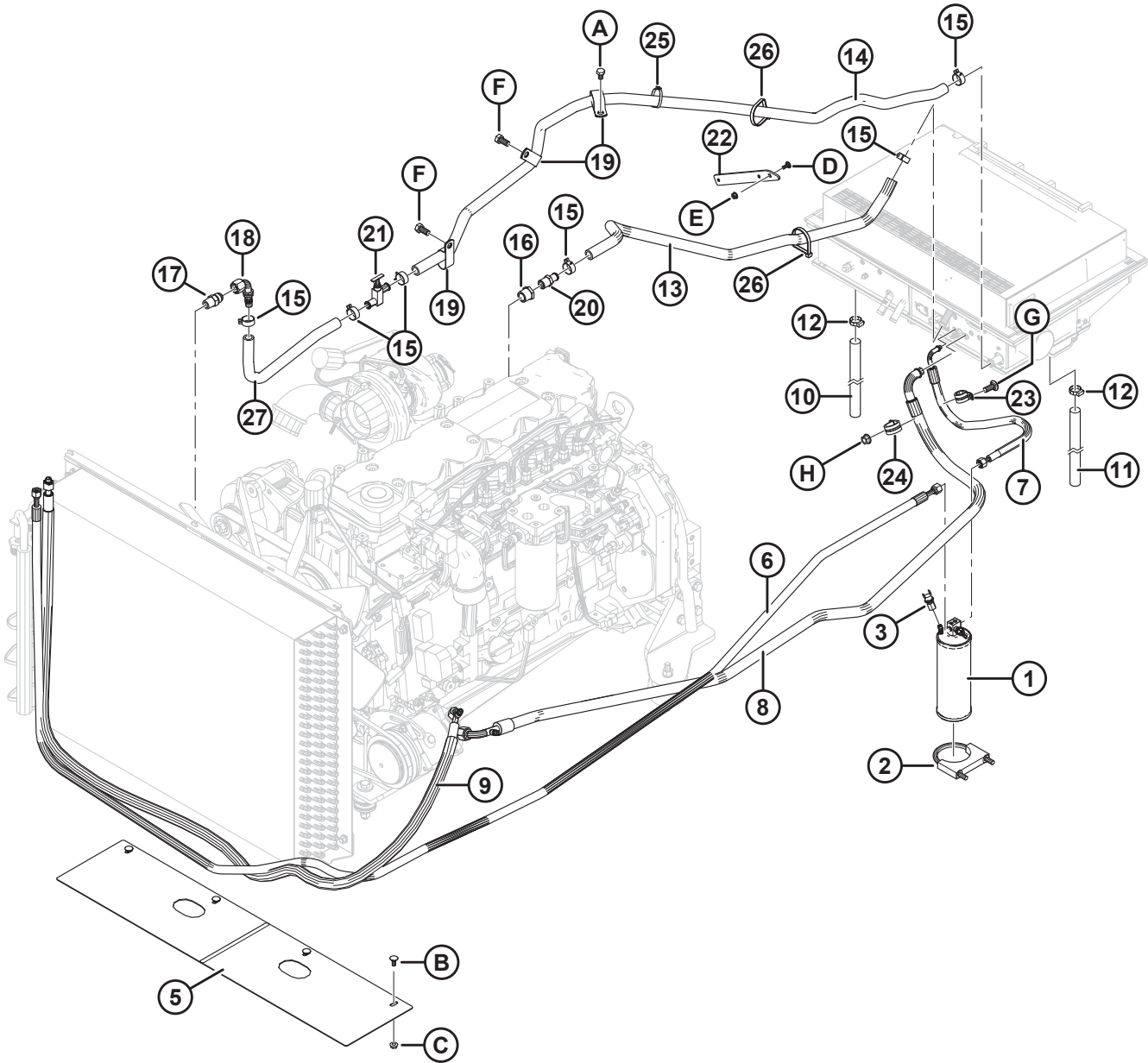
41 HVAC – Engine Group (2015 and Later)



HVAC – ENGINE GROUP (2015 AND LATER)

Ref	Part Number	Description	Qty	Serial Number
1	183273	KIT – RECEIVER DRIER W/ DYE	1	
2	42469	CLAMP – PIPE	1	
3	183199	SWITCH – AIR COND HIGH	1	
4	135716	CLAMP – INSULATED 5/8 IN. (NOT ILLUSTRATED)	1	
5	110834	SHIELD – FAN (ENGINE AIR BLAST)	2	
6	138569	HOSE – AC COND TO DRIER	1	
	183203	O-RING – #6 HNBR, GREEN		
7	183354	HOSE – A/C DRYER TO EXPANSION VALVE	1	
	183203	O-RING – #6 HNBR, GREEN		
8	183353	HOSE – A/C EXP VALVE TO COMPRESSOR SUCTION	1	
	183202	O-RING – #10 HNBR, GREEN		
	183444	CAP – R134A LOW SIDE SERVICE VALVE		
	183264	VALVE – SCHRADER, HF, LOW SIDE, HNBR GREEN		
	183357	O-RING – HNBR, RED		
9	183260	HOSE – AC COMP TO COND	1	
	183204	O-RING – #8 HNBR, GREEN		
	183265	VALVE – SCHRADER, HF, HIGH SIDE, HNBR GREEN		
	183443	CAP – R134A HIGH SIDE SERVICE VALVE		
10	166002	HOSE – DRAIN, 1/2 IN. I.D., 2200 MM LG	1	
11	166003	HOSE – DRAIN, 1/2 IN. I.D., 1900 MM LG	1	
12	21053	CLAMP – GEAR TYPE	2	
13	110763	HOSE – HEATER, 5/8 IN. I.D., 1220 MM LG	1	
14	166752	HOSE – HEATER, 5/8 IN. I.D., 2020 MM LG	1	
15	112692	CLAMP – HOSE	6	
16	5745	FITTING – REDUCER BUSHING	1	
17	21746	FITTING – CONNECTOR HYD	1	
18	139062	FITTING – HEATER HOSE	1	
19	50022	CLAMP – INSULATED 15/16 INCH	2	
20	112662	FITTING – HEATER 1/2 NPT MALE X 5/8 IN. HOSE	1	

HVAC – ENGINE GROUP (2015 AND LATER)

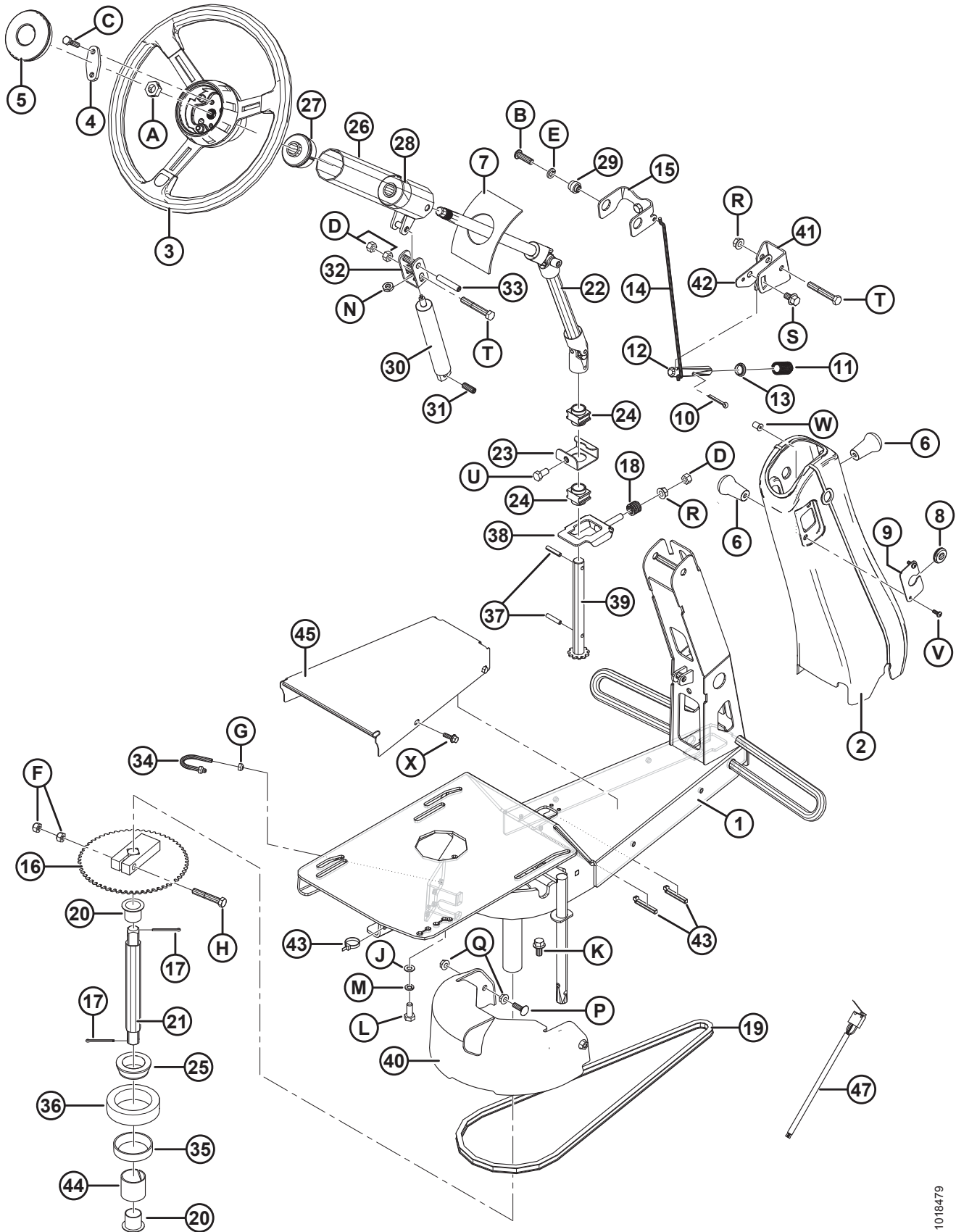


1018801

HVAC – ENGINE GROUP (2015 AND LATER)

Ref	Part Number	Description	Qty	Serial Number
21	111391	VALVE – HEATER SHUTOFF	1	
22	160533	BRACKET – CONDENSATE HOSE SUPPORT	1	
23	135709	CLAMP – INSULATED 3/4 IN.	1	
24	209018	CLAMP – INSULATED 7/8 IN.	1	
25	21763	FASTENER – CABLE TIE, BLACK, 160 MM LG	6	
26	30753	FASTENER – CABLE TIE, BLACK, 305 MM LG	2	
27	166748	HOSE – HEATER, 5/8 IN. I.D., 330 MM LG	1	
A	50071	BOLT – HH M10 X 1.5 X 15 LG ZN PL		
B	21281	BOLT – RHSN 5/16 NC X 0.75 GR 5 ZN PL		
C	30280	NUT – FLG SIDE LK SMTH FACE 5/16 NC GR 5 ZN PL		
D	30242	BOLT – RHSN 1/4 NC X 0.625 GR 5 ZN PL		
E	135248	NUT – FLG SMTH FACE 1/4-20 NC GR 5ZN CTR LK DT		
F	50155	BOLT – HH M12 X 1.75 X 25 LG ZN PL		
G	20077	BOLT – HH 3/8 NC X 1.0 LG GR 5 ZP		
H	30228	NUT – FLG DT SMTH FACE 0.375-16 UNC		

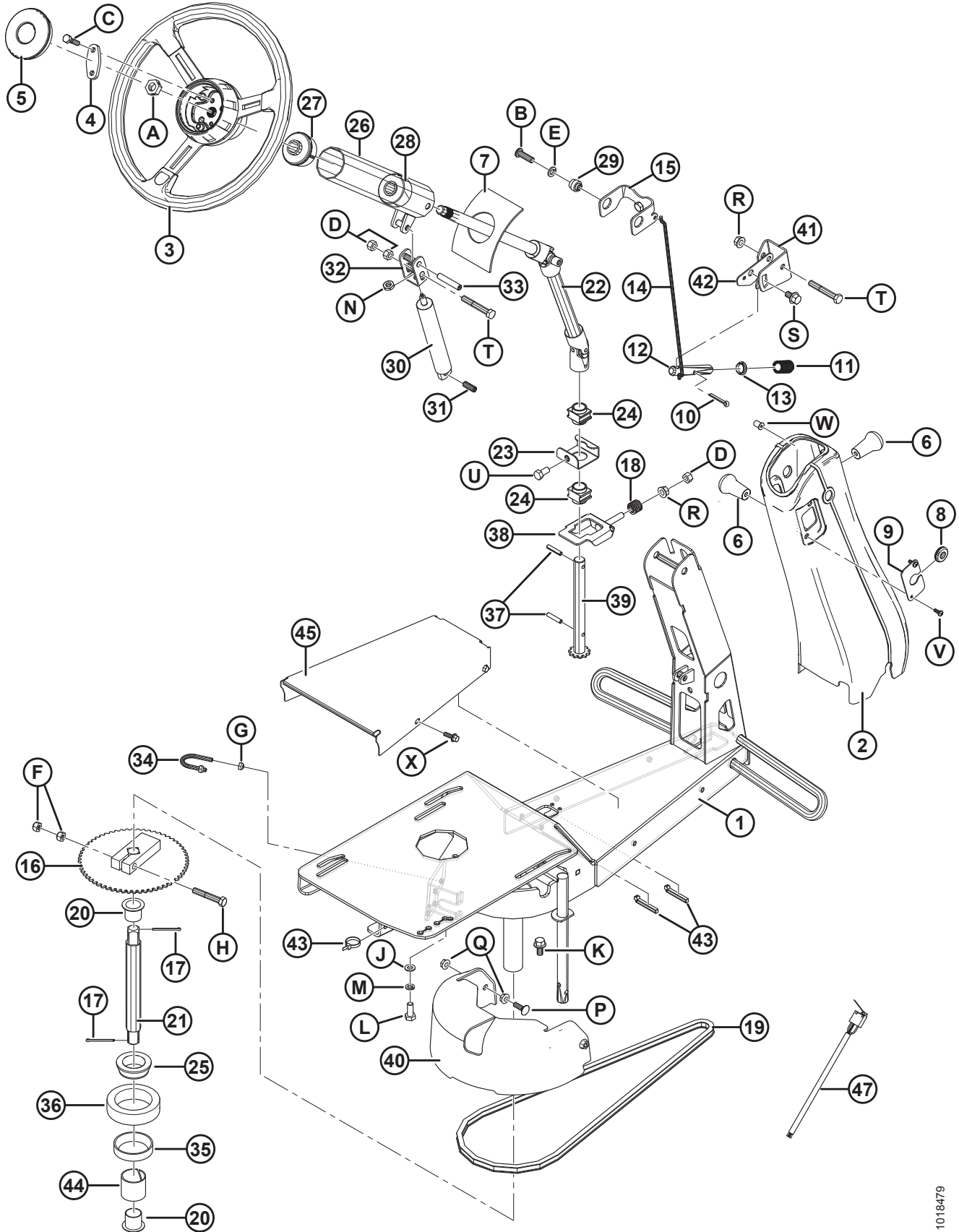
42 Steering Column and Seat Base



STEERING COLUMN AND SEAT BASE

Ref	Part Number	Description	Qty	Serial Number
1	183279	BASE – OPERATOR'S STATION WELDMENT	1	
2	183277	COVER – STEERING COLUMN	1	
3	109482	WHEEL – STEERING	1	
4	109788	TOOL – STEERING WHEEL REMOVAL	1	
5	109483	CAP – STEERING WHEEL	1	
6	109472	KNOB – TAPERED, 3/8-16 NC	2	
7	109748	SEAL – STEERING COLUMN	1	
8	183317	GROMMET – 12.7 IN. I.D., 27 IN. O.D. X 7.9	1	
9	183275	PLATE – SLOTTED	1	
10	18648	PIN – COTTER 3/16 DIA X 1.25 ZP	1	
11	19739	SPRING – COMPRESSION	1	
12	109470	PIN – LATCH	1	
13	109478	BUSHING – SNAP-IN, 0.625 IN.	1	
14	109502	ROD – RELEASE	1	
15	163438	CHANNEL – RELEASE	1	
16	109346	SPROCKET WELDT	1	
17	18606	PIN – COTTER 1/8 DIA X 1.5 ZP	2	
18	109779	SPRING – COMPRESSION	1	
19	109479	CHAIN – STEERING	1	
20	156424	BUSHING – PLASTIC FLANGED 1.0 IN.	2	
21	109344	SHAFT – STEERING	1	
22	109477	SHAFT – STEERING WELDT	1	
23	109302	RETAINER – BUSHING WELDT	1	
24	109751	BUSHING – PLASTIC	2	
25	109611	BEARING – CONE	1	
26	109288	TUBE – STEERING WELDT	1	
27	45661	ROLLER – PLASTIC	1	
28	19488	ROLLER	1	
29	109299	SPACER – COLUMN	2	
30	109073	SPRING – GAS	1	

STEERING COLUMN AND SEAT BASE



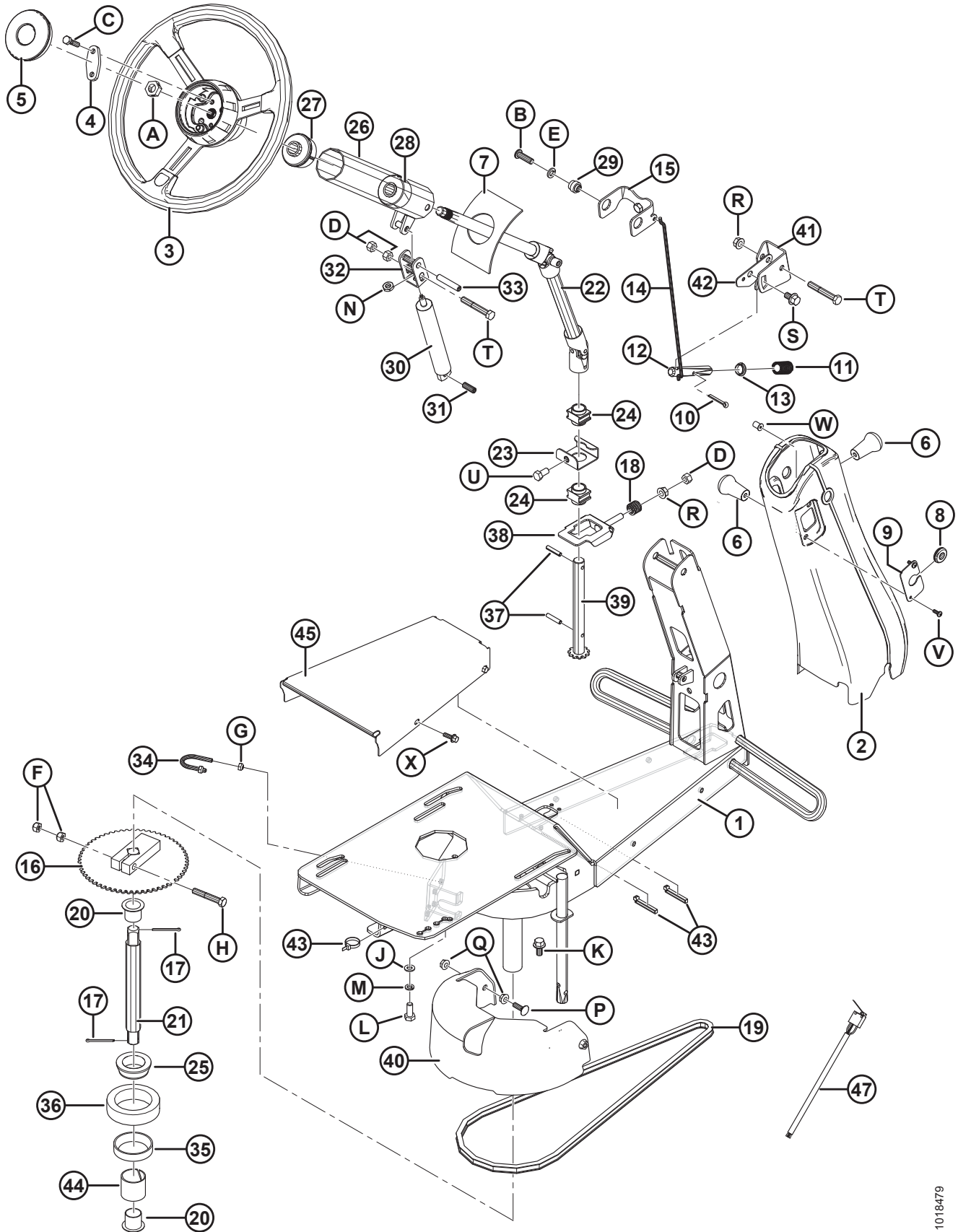
1018479

STEERING COLUMN AND SEAT BASE

Ref	Part Number	Description	Qty	Serial Number
31	50075	PIN – SPRING 3/8 DIA X 1.0 LG	1	
32	45744	YOKE	1	
33	30061	PIN – SPRING 3/8 DIA X 2.0 LG	1	
34	109914	U-BOLT	2	
35	30516	BEARING – CUP	1	
36	109915	SEAL – DUST, SEAT PIVOT	1	
37	16266	PIN – SPRING 1/4 DIA X 1.25 LG	2	
38	109306	GUIDE – LOWER BUSHING, WELDT	1	
39	109297	SHAFT – STEERING WELDT	1	
40	109932	COVER – SEAT BASE	1	
41	160275	ARM – RELEASE	1	
42	160276	ARM – RELEASE, WELDT	1	
43	21763	FASTENER – CABLE TIE, BLACK, 160 MM LG	1	
44	109350	BUSHING – SLEEVE 1.5 IN.	1	
45	183259	COVER – SEAT	1	
46	109699	SWITCH – SNAP ACTION ⁷⁴	1	

74. Refer to Section [29 Cab Seals, Grommets, Mounts, and Upholstery](#), page 75.

STEERING COLUMN AND SEAT BASE

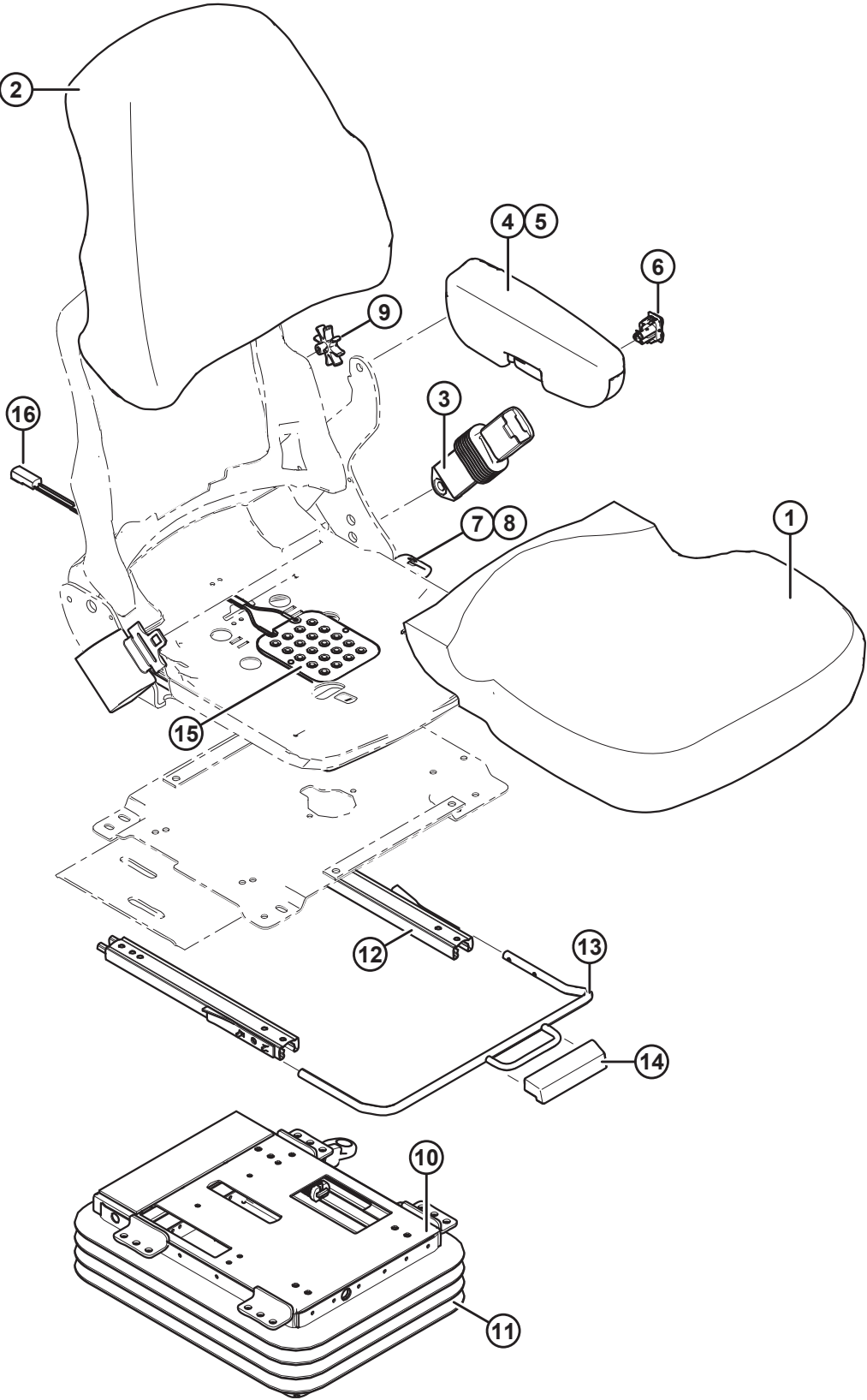


1018479

STEERING COLUMN AND SEAT BASE

Ref	Part Number	Description	Qty	Serial Number
A	105173	NUT – HEX JAM CENTER LOCK		
B	109071	BOLT – BUTTON HD. 0.375 NC X 1.25 LG		
C	135349	BOLT – HH 5/16 NF X 1.25 LG GR 5 ZP		
D	18590	NUT – HEX 3/8-16 UNC GR 5 ZP		
E	18637	WASHER – REG. LOCK 3/8 IN. NOM. I.D. ZP		
F	18669	NUT – HEX LOCK DT 3/8-16 UNC ZP		
G	18724	NUT – HEX LOCK DT 1/4-20 UNC ZP		
H	20055	BOLT – HH 3/8 NC X 2.25 LG GR 5 ZP		
J	18597	WASHER		
K	21821	BOLT – HH FLG (SER FACE) 3/8 NC X 0.75 GR 5		
L	30715	BOLT – HH M8 X 1.25 X 20 LG ZP		
M	30716	WASHER – LOCK SPRING (M8)		
N	109072	NUT – HEX JAM M10		
P	21282	BOLT – RHSN 5/16-18 X 1 GR 5 ZP		
Q	21403	NUT – FLG (SER FACE) 5/16 NC GR 5 ZP		
R	30228	NUT – LOCK, SMTH FLG 3/8 NC DT		
S	50076	BOLT – HEX FLG (SER FACE) 3/8 NC X .63 GR 5		
T	21102	BOLT – HH 3/8 NC X 2.5 LG GR 5 ZP		
U	21567	BOLT – HEX HD .375-16 UNC X 0.75 LG		
V	136608	SCREW – MACH PAN HD PHH #10-32 UNC X 1/2 GR 5 ZP		
W	109474	NUT – RUBBER 10-32 NF METAL INSERT		
X	21456	BOLT – HH FLG (SER FACE) 1/4 NC X 0.75 GR 5		

43 Operator's Seat



OPERATOR'S SEAT

Ref	Part Number	Description	Qty	Serial Number
	109244	SEAT – C/W SMV DECAL	1	
	109847	SEAT – TOP ASSEMBLY (NO SUSPENSION) ⁷⁵	1	
1	109845	SEAT CUSHION ASSEMBLY ⁷⁶	1	
2	109846	BACK CUSHION ASSEMBLY	1	
3	45954	SEAT BELT	1	
4	109848	ARMREST ASSEMBLY (LH)	1	
5	109849	PAD – LH ARMREST, C/W SCREW	1	
6	109850	SWITCH – SEAT (SUSPENSION HEIGHT)	1	
7	109851	KIT – RECLINER	1	
8	109852	KNOB – RECLINER	1	
9	109853	LUMBAR KNOB KIT	1	
10	109854	LPA SUSPENSION ASSEMBLY ⁷⁷	1	
11	109855	BOOT KIT ⁷⁸	1	
12	109862	KIT – FORE-AFT SLIDES	1	
13	109863	HANDLE – SLIDE	1	
14	109864	KNOB – SLIDE	1	
15	109968	SWITCH – SEAT, OPERATOR PRESENT	1	
16	109971	HARNESS – SEAT SWITCH	1	

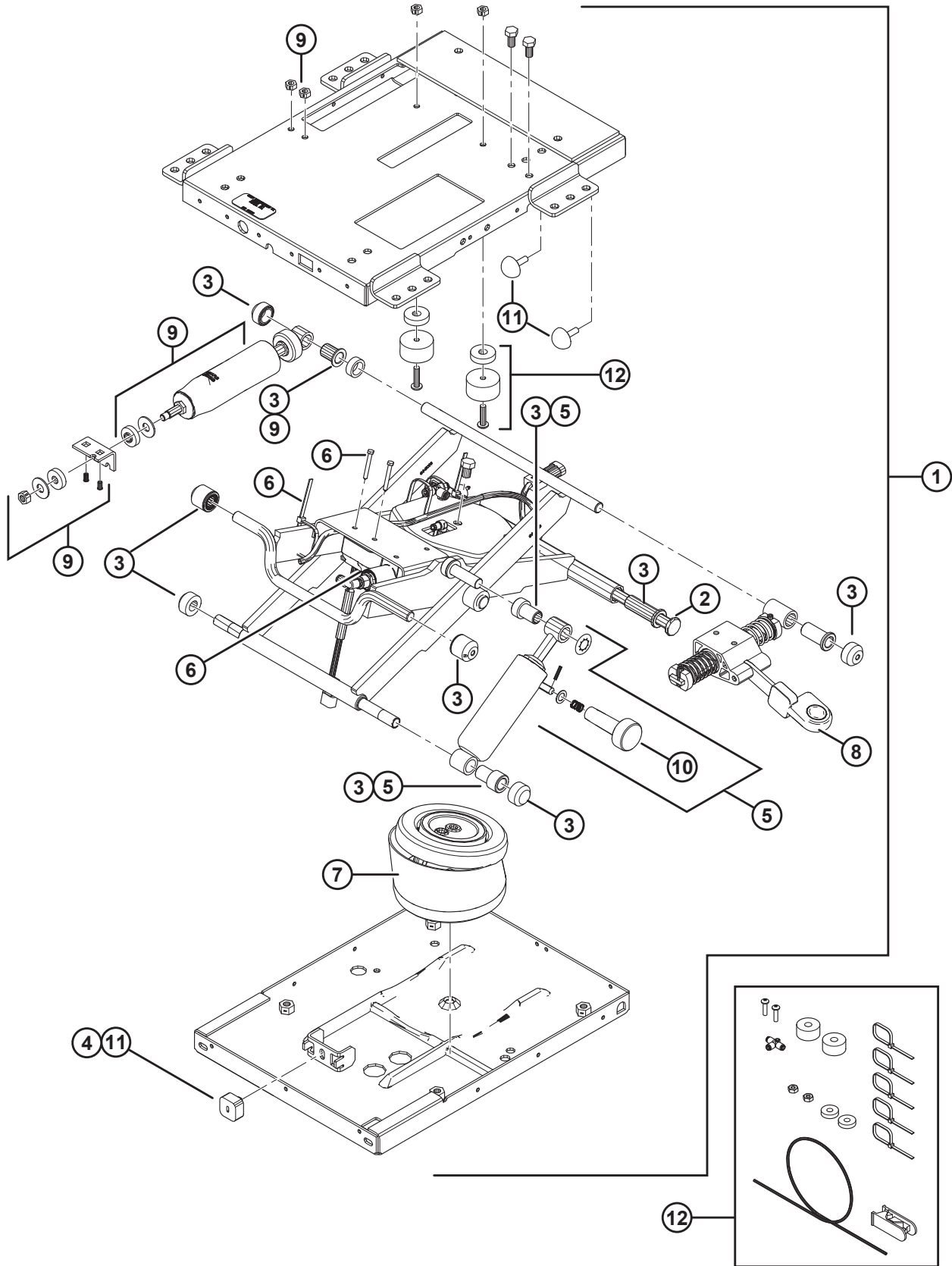
75. Includes back cushion assembly (MD #109846), armrest assy. (MD #109848), and seat belt (MD #45954).

76. Includes operator present switch (MD #109968).

77. For internal components, refer to Section *44 Seat Suspension Internal Components, page 123*.

78. Includes boot, clips, and rivets.

44 Seat Suspension Internal Components



SEAT SUSPENSION INTERNAL COMPONENTS

Ref	Part Number	Description	Qty	Serial Number
1	109854	LPA SUSPENSION ASSEMBLY ⁷⁹	1	
2	109856	SHAFT – BEARING	1	
3	109857	KIT – BEARING	1	
4	109858	BUMPER (QTY 1)	1	
5	109859	KIT – ADJUSTABLE SHOCK ABSORBER ⁸⁰	1	
6	208040	KIT – COMPRESSOR	1	
	109812	KIT – AIRLINE AND FITTING SERV. ⁸¹	1	
7	109860	SPRING – AIR, C/W J-CLIP	1	
8	109861	ISOLATOR – FORE-AFT	1	
9	208038	KIT – FORE-AFT ISO. SHOCK	1	
10	109865	KNOB – ADJUSTABLE SHOCK	1	
11	183150	KIT – SUSPENSION BUMPER ⁸²	1	
12	183344	KIT – SUSPENSION BUMPERS AND AIRLINE	1	

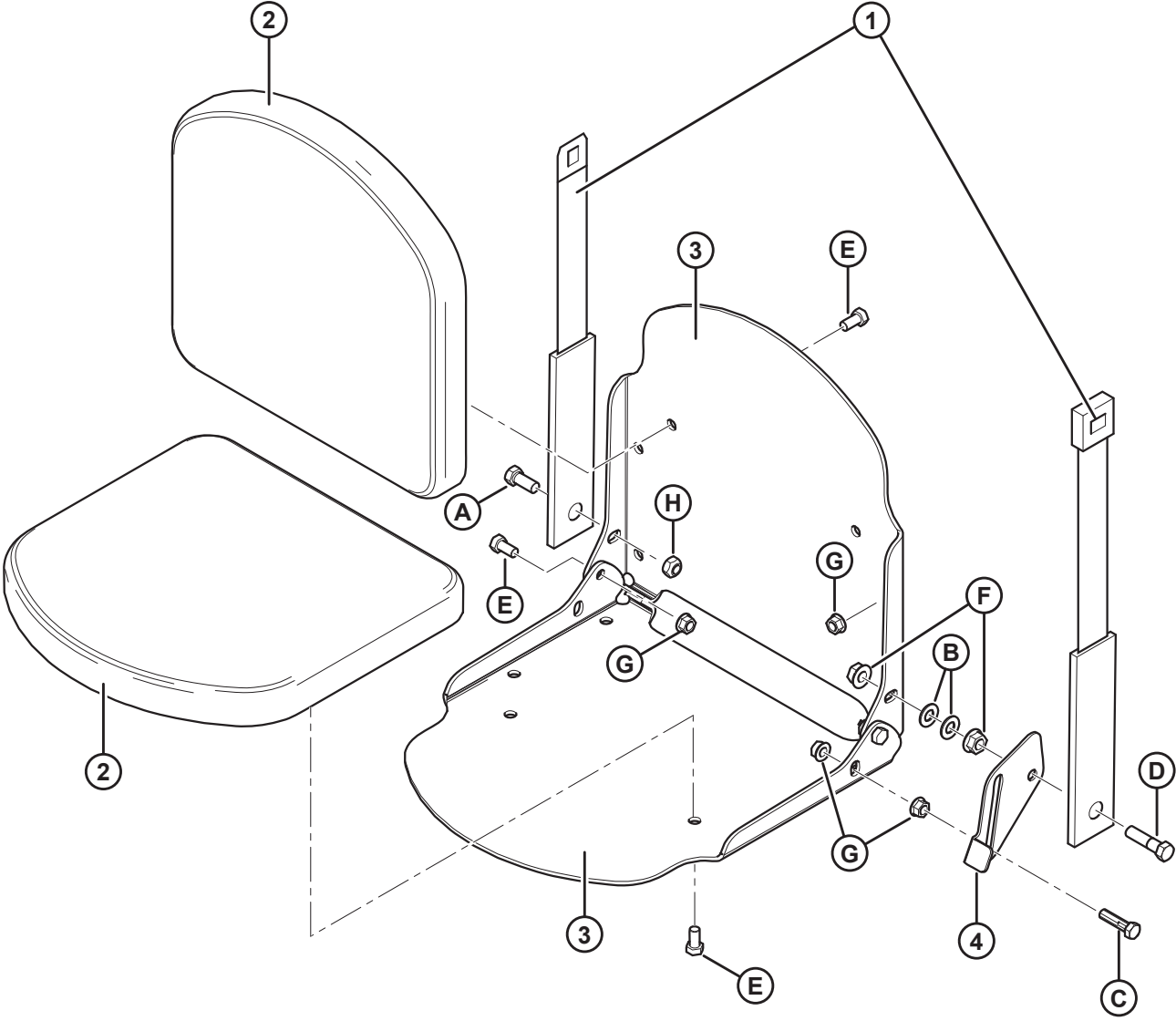
79. Complete with boot kit.

80. Includes adjustable shock knob (MD #109865).

81. Includes nylon tube lines, convoluted line, and fittings. See MD Service Bulletin SB1147.

82. Includes three suspension bumpers (MD #109858) and two spherical bumpers.

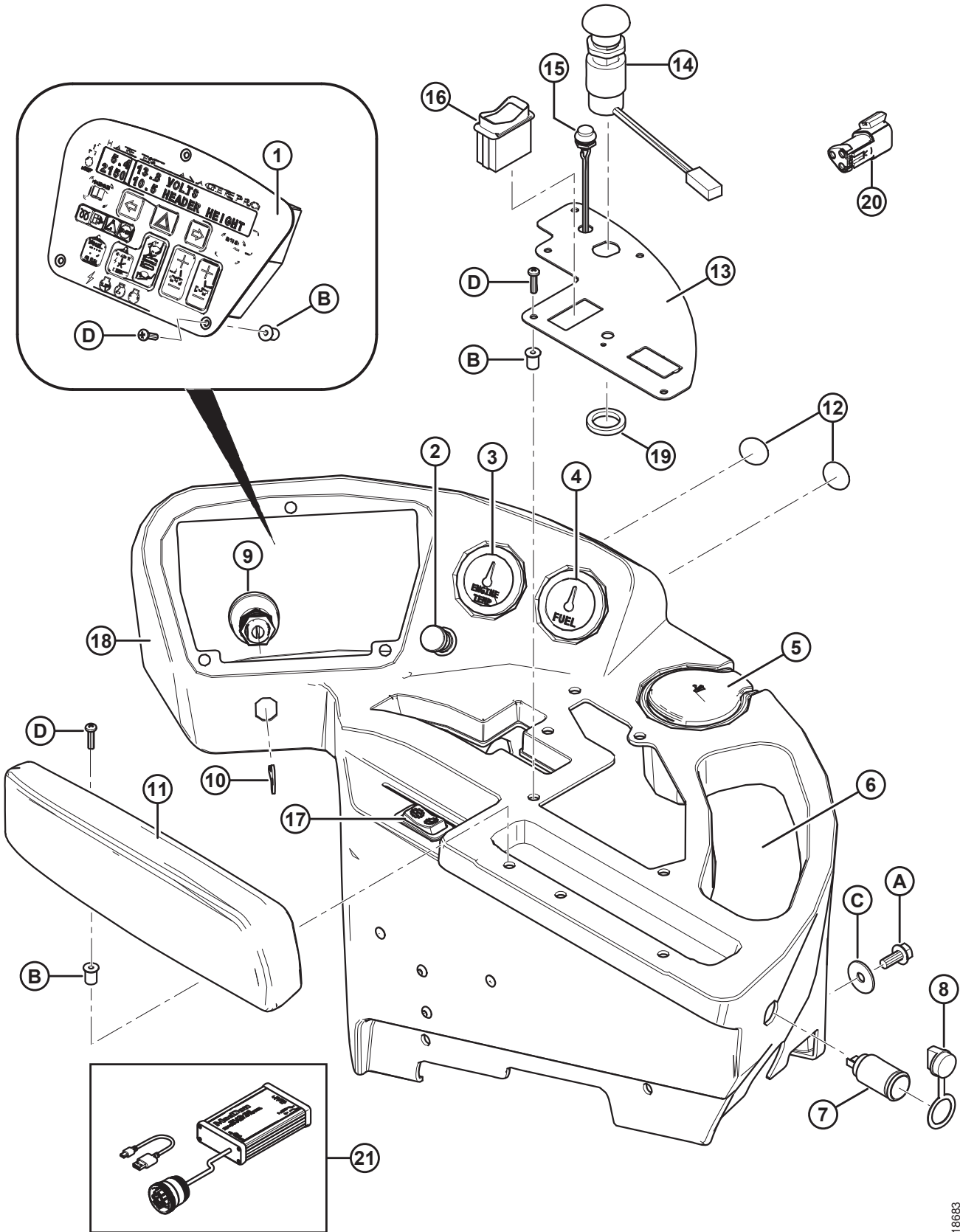
45 Trainer's Seat



TRAINER'S SEAT

Ref	Part Number	Description	Qty	Serial Number
1	109102	SEAT BELT	1	
2	109643	CUSHION – TRAINING SEAT	2	
3	167503	SUPPORT – CUSHION C/W DECAL	2	
4	109644	LATCH – TRAINER'S SEAT	1	
A	21522	BOLT – HH 7/16 NC X 1.0 LG GR 5 ZP		
B	18688	WASHER – SAE FLAT 0.47 IN. I.D. X 0.92 IN. O.D. ZP		
C	21561	BOLT – HH 3/8 NC X 1.5 LG GR 5 ZP		
D	21564	BOLT – HH 7/16 NC X 1.75 LG GR 5 ZP		
E	21567	BOLT – HEX HD .375-16 UNC X 0.75 LG		
F	21761	NUT – FLG SMOOTH FACE 7/16 NC GR 5 ZP		
G	30228	NUT – FLG DT SMOOTH FACE 0.375-16 UNC		
H	20213	NUT – LOCK, HEX 7/16 NC DT		

46 Console Components



CONSOLE COMPONENTS

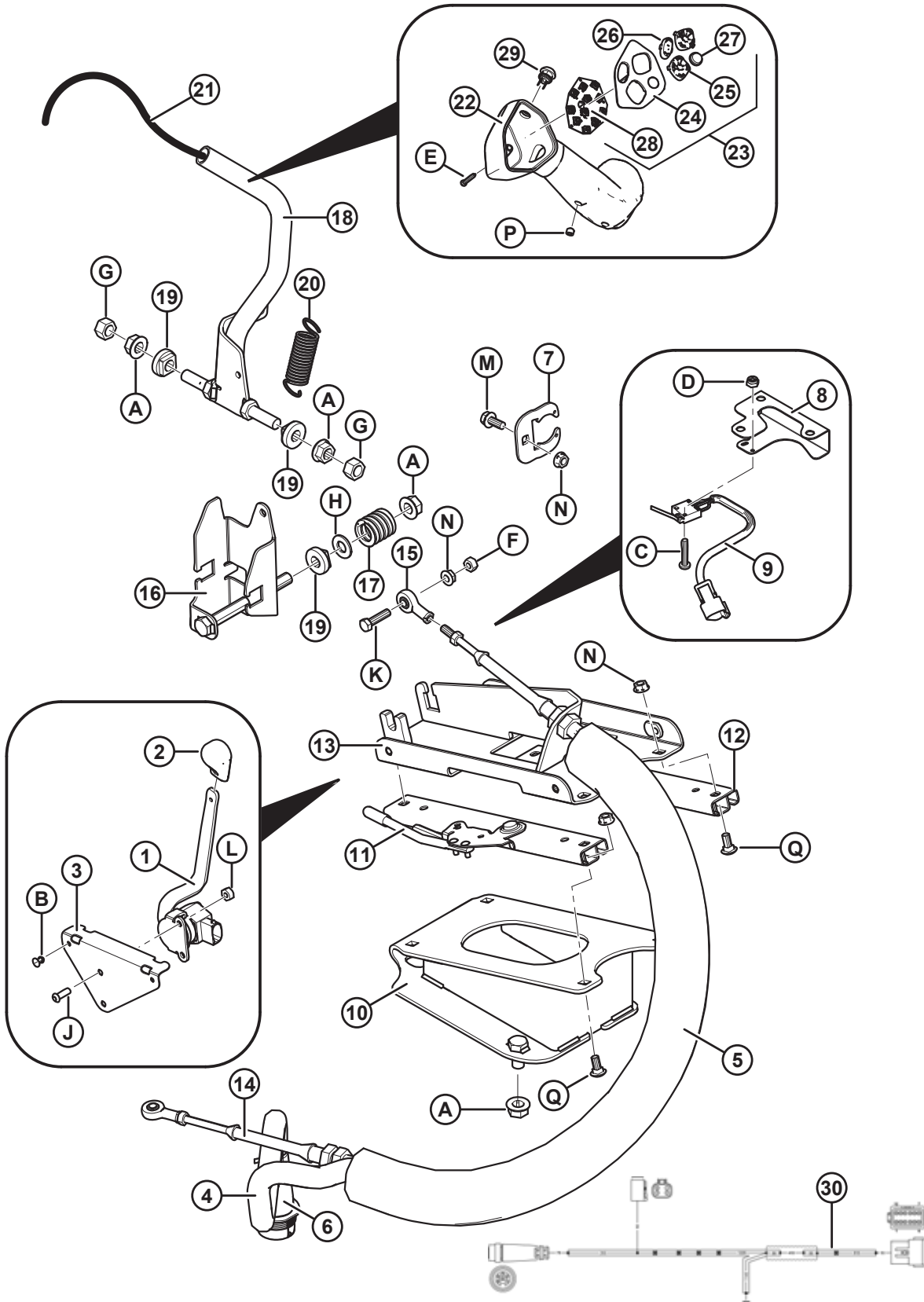
Ref	Part Number	Description	Qty	Serial Number
1	167758	MODULE – CDM5 ASSY AND INSTRUCTIONS	1	
2	42447	LIGHTER – CIGARETTE	1	
3	109457	GAUGE – ENGINE TEMP	1	
4	109456	GAUGE – FUEL	1	
5	109627	ASHTRAY	1	
6	109742	PAD – STORAGE BIN	1	
7	109080	TERMINAL – POWER OUTLET	1	
8	109081	CAP – POWER OUTLET	1	
9	109702	SWITCH – ASSEMBLY C/W KEYS	1	
10	109701	KEYS – IGNITION SET OF 2	1	
11	109637	ARMREST ASSEMBLY	1	
12	109826	DECAL – COVER	2	
13	183294	PANEL – SWITCH	1	
14	109505	SWITCH – HEADER ENGAGE	1	
15	109453	SWITCH – PUSH BUTTON	1	
16	109574	SWITCH – ROCKER, ON-OFF-ON	1	
17	109576	SWITCH – ROCKER, ON-NONE-ON (TWO SPEED)	1	
18	109463	PANEL – CONSOLE	1	
19	160107	WASHER – FLAT	1	
20	134043	CONNECTOR – RECEPTACLE, J1939 TERMINATOR	2	
21	167889	KIT – CANWIN ADAPTER MODULE, C/W USB CABLE ⁸³	A/R	
A	30278	BOLT – HH FLG (SER FACE) 5/16 NC X 0.75 GR 5 ZP		
B	109474	NUT – RUBBER 10-32NF METAL INSERT		
C	103837	WASHER – FLAT		
D	135161	SCREW – MACHINE (#10-32 UNF X 0.75 IN.)		

NOTE:

Contact your Dealer for information about software updates to the electronic modules. Your Dealer will have the necessary interface tools and access to the latest software upgrades.

83. Includes Canwin adapter module (J1939 to USB), 6 ft. USB cable (USB A to mini B), and Canwin diagnostic adapter manual.

47 Ground Speed Lever and Cable



1004869

GROUND SPEED LEVER AND CABLE

Ref	Part Number	Description	Qty	Serial Number
1	160199	CONTROL – THROTTLE ⁸⁴	1	
2	160195	KNOB – THROTTLE LEVER	1	
3	160258	SUPPORT – THROTTLE	1	
4	202551	HARNESS – CONSOLE	1	
5	109714	COVER – HARNESS/CABLE	1	
6	111632	SUPPORT – HARNESS	1	
7	109763	CLAMP – DIAGNOSTIC PLUG	1	
8	160104	SUPPORT – PARK SWITCH	1	
9	109699	SWITCH – PARKING	1	
10	109684	SUPPORT – CONSOLE SLIDE, WELDT	1	
11	109690	RAIL – SLIDE, C/W RELEASE	1	
12	109691	RAIL – SLIDE, W/O RELEASE	1	
13	160278	SUPPORT – SPEED LEVER, WELDT	1	
14	109688	CABLE – PUSH PULL	1	
15	109312	JOINT – BALL, 5/16 IN. FEMALE	2	
16	183874	CHANNEL – SPEED LEVER, WELDT	1	
17	28700	SPRING – COMPRESSION	1	
18	109335	LEVER – SPEED WELDT	1	
19	109750	BUSHING – PLASTIC	3	
20	25321	SPRING – EXTENSION	1	
21	166181	HARNESS – SPEED LEVER	1	
22	183216	HANDLE – SPEED CONTROL	1	
23	183212	PLATE – FACE ASSEMBLY	1	
24	183213	PLATE – SPEED STICK FACE	1	
25	183234	KNOB – 4 WAY SWITCH	2	
26	109487	KNOB – 2 WAY SWITCH	1	
27	109488	KNOB – 1 WAY SWITCH	1	
28	NSS	ASSEMBLY – CIRCUIT BOARD ⁸⁵	1	
29	173164	SWITCH – PUSH BUTTON	1	
30	183255	HARNESS – TRIMBLE BI-DIRECTIONAL SEAT ⁸⁶	1	

84. Includes throttle lever knob (MD #160195).

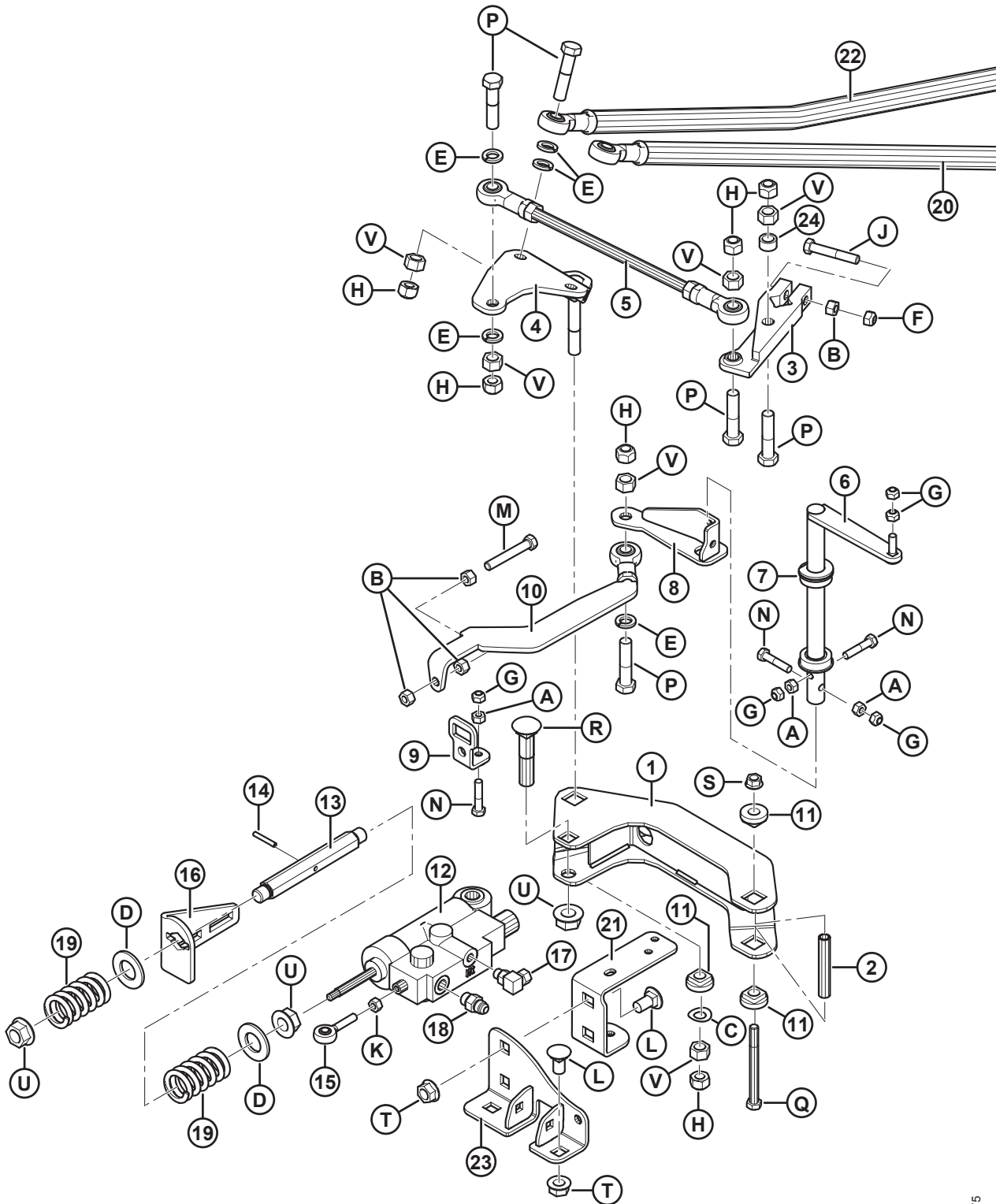
85. Included with face assembly plate (MD #183212).

86. Connects to harness MD #183254 and steering column for the Trimble EZ Pilot steering motor.

GROUND SPEED LEVER AND CABLE

Ref	Part Number	Description	Qty	Serial Number
A	50186	NUT – FLG LOCK SM FACE DT 0.500-13 UNC GR 5		
B	113799	RIVET – POP		
C	135158	SCREW – PAN HEAD #6-32 X 3/4 LG		
D	135159	NUT – NYLOC		
E	183218	SCREW – PHIL FL CSK HD #8 X 1-1/4 IN. LG ZP		
F	18589	NUT – HEX 5/16-18 UNC GR 5 ZP		
G	18591	NUT – HEX 1/2-13 UNC GR 5 ZP		
H	18599	WASHER – SAE FLAT 17/32 I.D. X 1-1/16 IN. O.D. ZP		
J	123084	SCREW – HEX SOCKET BUTTON HD		
K	21526	BOLT – HH 5/16 NC X 1.25 LG GR 5 ZP		
L	18588	NUT – HEX 1/4-20 UNC GR 5 ZP		
M	30278	BOLT – HH FLG (SER FACE) 5/16 NC X 0.75 GR 5 ZP		
N	30280	NUT – FLG SIDE LK SMTH FACE 5/16 NC GR 5 ZP		
P	30872	SCREW – SET HEX SOC CUP PT 5/16 NC X 1/4 LG		
Q	21281	BOLT – RHSN 5/16 NC X 0.75 GR 5 ZP		

48 Steering and Ground Speed Control (Under Cab)



1004975

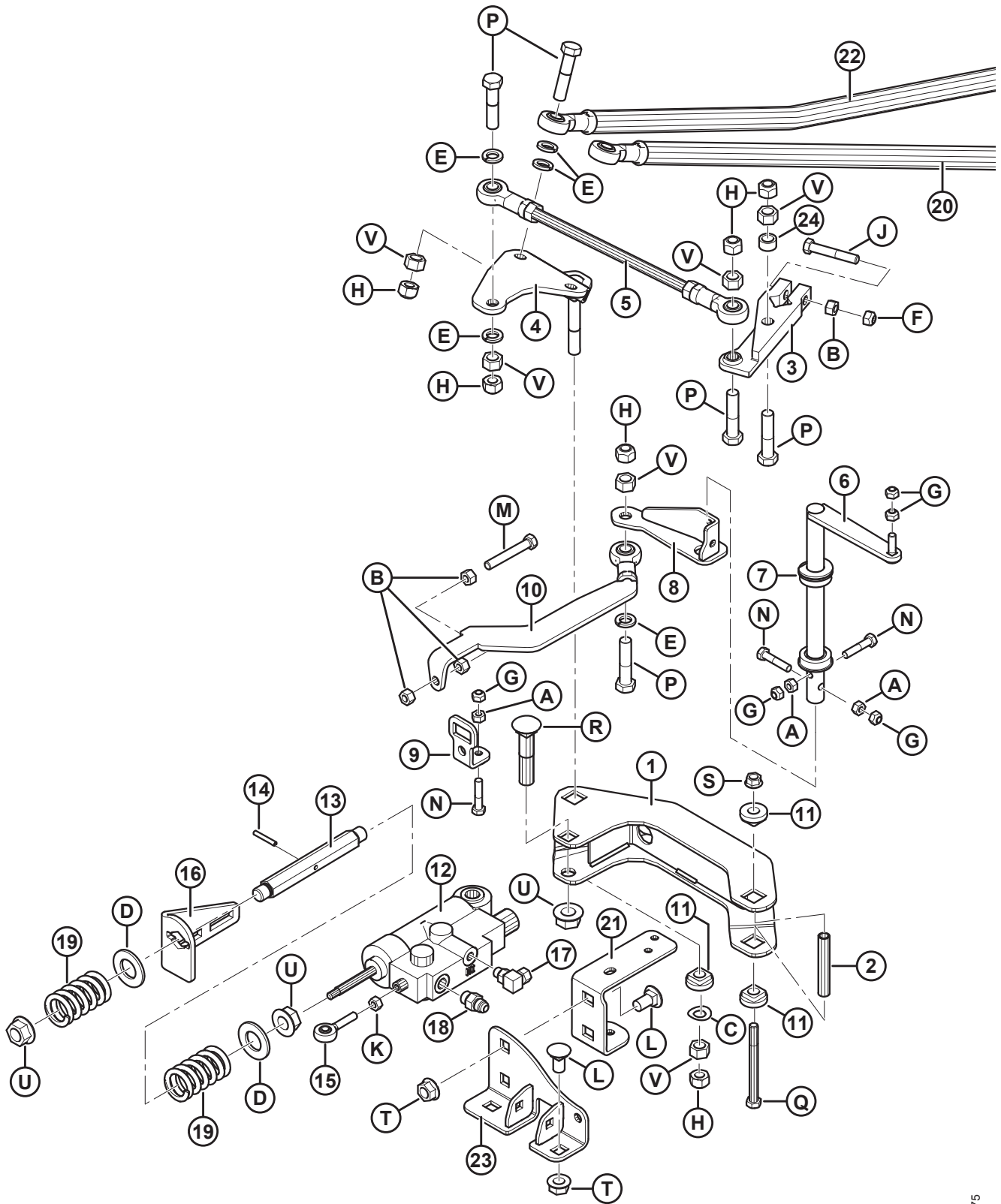
STEERING AND GROUND SPEED CONTROL (UNDER CAB)

Ref	Part Number	Description	Qty	Serial Number
1	109410	CARRIER ASSEMBLY ⁸⁷	1	
2	109422	SPACER – TUBE	1	
3	138191	ARM – STEERING	1	
4	138335	PIVOT – PINTLE	1	
5	139381	ROD – STEERING LINK	1	
6	109407	SHAFT – SPEED	1	
7	109818	BEARING	2	
8	138036	ARM – SPEED	1	
9	139635	ANGLE – SERVO INPUT	1	
10	183170	LINK – VALVE CONTROL ⁸⁸	1	
11	109750	BUSHING – PLASTIC	4	
12	183913	VALVE – SERVO CONTROL	1	
	111990	SEAL KIT	1	
13	109809	SHAFT – SERVO	1	
14	13617	PIN – SPRING 3/16 DIA X 1.25 LG	1	
15	109313	JOINT – BALL, 5/16 IN. MALE	1	
16	183166	SUPPORT – SERVO	1	
17	135647	FITTING – ELBOW	1	
18	112997	VALVE CHECK – HYD	1	
19	109807	SPRING – COMPRESSION	2	
20	110955	ROD – LH STEERING WELDT 6 CYL	1	–229509
	139837	ROD – LH STEERING WELDT 6 CYL	1	229510–
21	109425	SUPPORT – PIVOT	1	
22	110957	ROD – RH STEERING WELDT 6 CYL	1	–229509
	139839	ROD – RH STEERING WELDT 6 CYL	1	229510–
23	162339	SUPPORT – STEERING WELDMENT	1	
24	14294	SPACER – TUBE	1	

87. Includes four plastic bushings (MD #109750).

88. For units with serial number 229509 and earlier, when ordering item valve control link (MD #183170), also order bolt (MD #136166).

STEERING AND GROUND SPEED CONTROL (UNDER CAB)



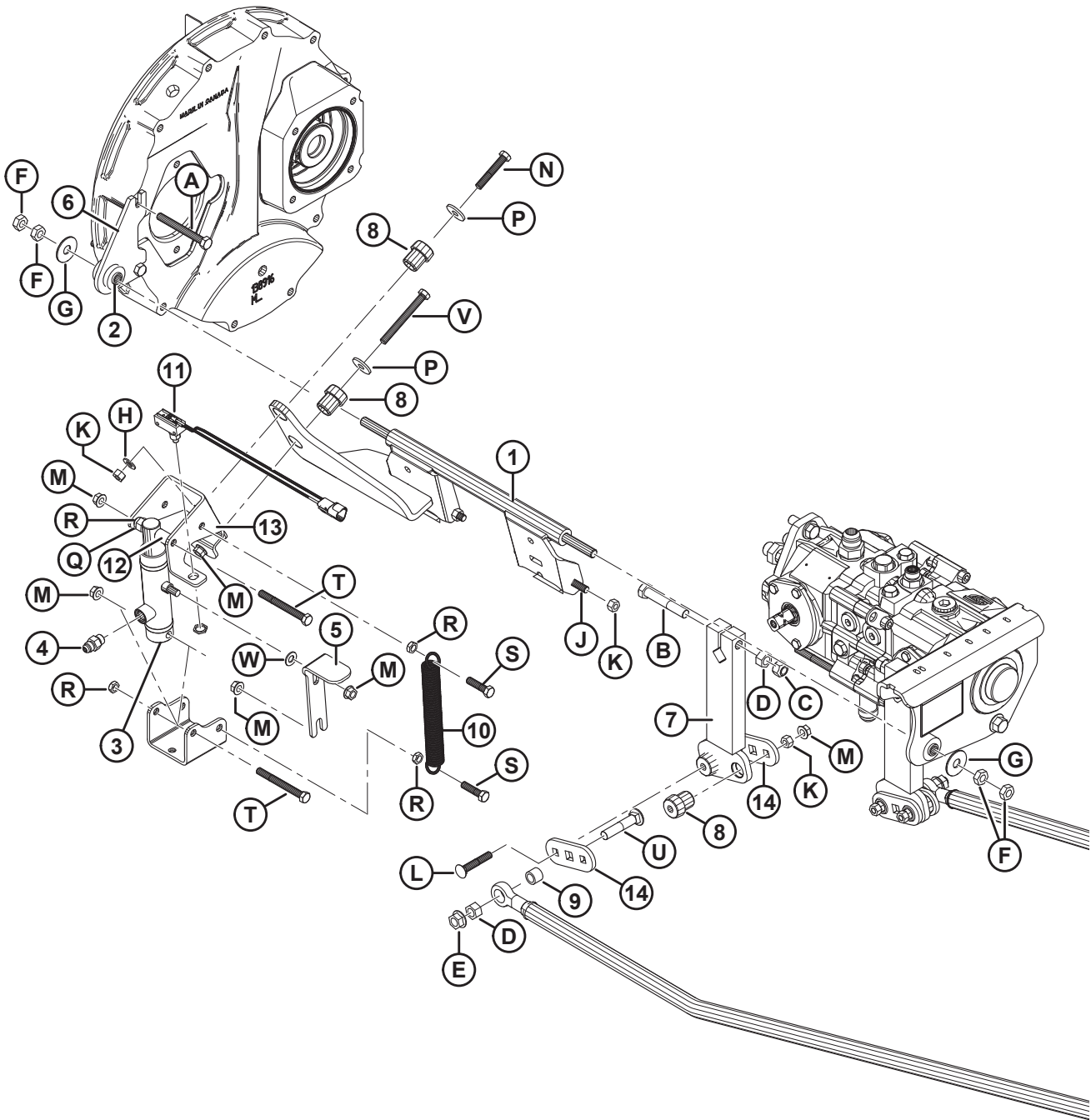
1004975

STEERING AND GROUND SPEED CONTROL (UNDER CAB)

Ref	Part Number	Description	Qty	Serial Number
A	18589	NUT – HEX 5/16-18 UNC GR 5 ZP		
B	18590	NUT – HEX 3/8-16 UNC GR 5 ZP		
C	135640	WASHER – CURVED SPRING – S.S.		
D	18602	WASHER – SAE FLAT 15/16 I.D. X 1.75 IN. O.D. ZP		
E	18638	WASHER – REG. LOCK 1/2 IN. NOM. I.D. ZP		
F	18669	NUT – HEX LOCK DT 3/8-16 UNC ZP		
G	18690	NUT – HEX LOCK DT 5/16-18 UNC ZP		
H	18697	NUT – HEX LOCK DT .500-13.UNC		
J	20055	BOLT – HH 3/8 NC X 2.25 LG GR 5 ZP		
K	20214	NUT – HEX 5/16-24 UNF GR 5 ZP		
L	21066	BOLT – RHSN 1/2 NC X 1 GR 5 ZP		
M	136166	BOLT – HEX HD 3/8 NC X 3 TFL GR 5 ZP ⁸⁹		
N	21268	BOLT – HH 5/16 NC X 1.5 LG GR 5 ZP		
P	21578	BOLT – HH 1/2 NC X 2.0 LG GR 5 ZP		
Q	21593	BOLT – HH 3/8 NC X 4.0 LG GR 5 ZP		
R	21762	BOLT – RHSSN 5/8 NC X 3.0 LG GR 5 ZP		
S	30228	NUT – FLG DT SMOOTH FACE 0.375-16 UNC		
T	50186	NUT – FLG LOCK SM FACE DT 0.500-13 UNC GR 5		
U	50225	NUT – FLG DT SMOOTH FACE .625-11 UNC		
V	18591	NUT – HEX 1/2 NC GR 5 ZP		
W	19965	BOLT – RHSN 3/8 NC X 1.0 GR 5 ZP		
X	18636	WASHER – REG. LOCK, 5/16 IN. NOM. I.D. ZP		

89. For units with serial number 229509 and earlier, when ordering item valve control link (MD #183170), also order bolt (MD #136166).

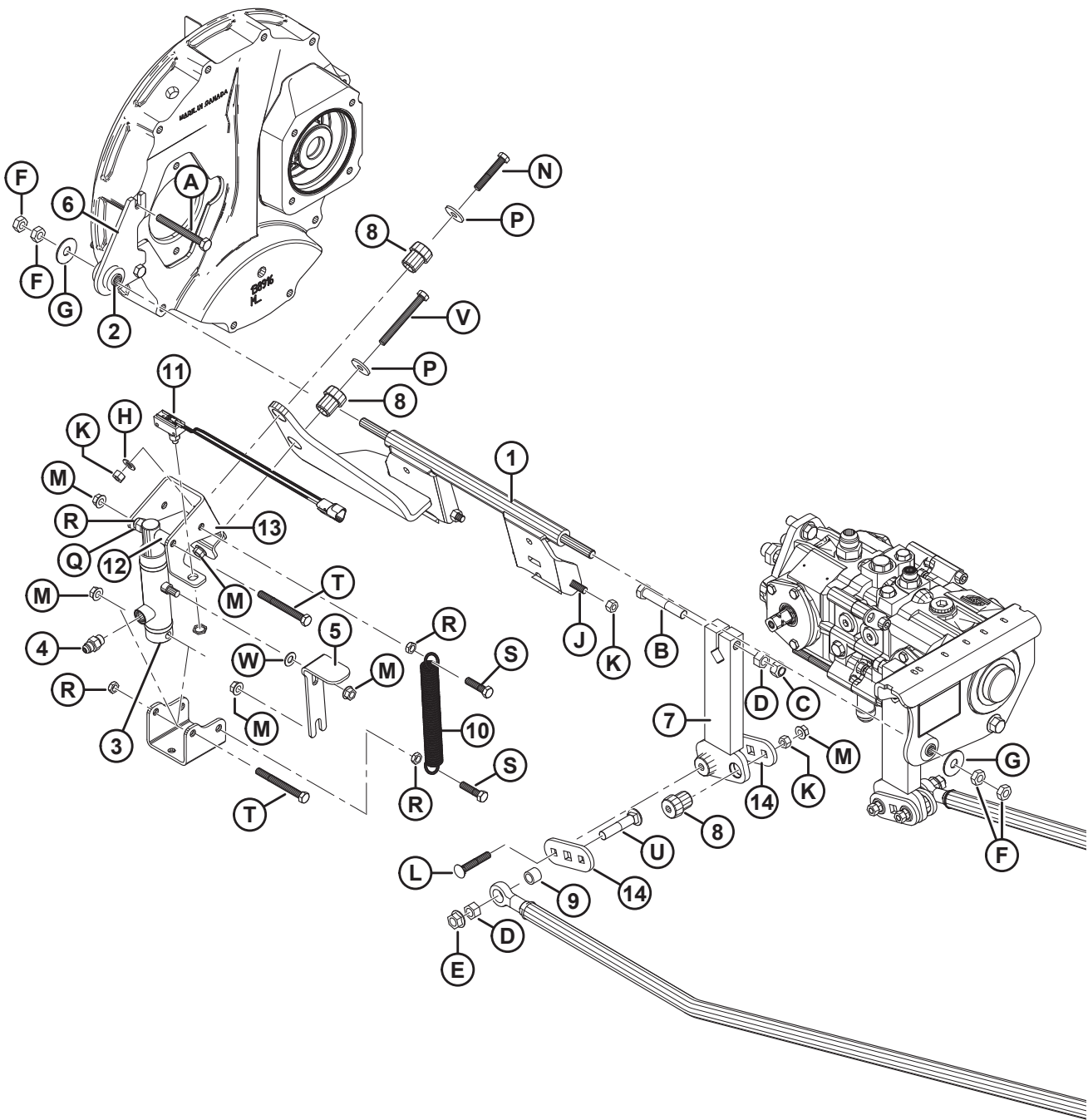
49 Neutral Interlock and Pintle Arms



NEUTRAL INTERLOCK AND PINTLE ARMS

Ref	Part Number	Description	Qty	Serial Number
1	138593	PIVOT – INTERLOCK WELD'T	1	
2	50040	BUSHING – RUBBER	1	
3	111599	CYLINDER – NEUTRAL INTERLOCK	1	
4	15903	FITTING – CONNECTOR HYD	1	
5	138634	PLATE – PINTLE SWITCH	1	
6	111811	HANGER – ENGINE INTERLOCK C/W BUSHING	1	
7	110921	ARM – PINTLE WELDT	2	
8	30591	INSULATOR – RUBBER	4	
9	132531	SPACER	2	
10	110977	SPRING – EXT	2	
11	111763	SWITCH – NEUTRAL INTERLOCK	1	
	139119	HARNESS – PINTLE INTERLOCK SWITCH	1	
12	163469	HOSE – SPACER, 3/8 IN. I.D., 25 MM LG	1	
13	138640	CHANNEL – ARM	1	
14	110922	BAR – BUSHING	4	

NEUTRAL INTERLOCK AND PINTLE ARMS

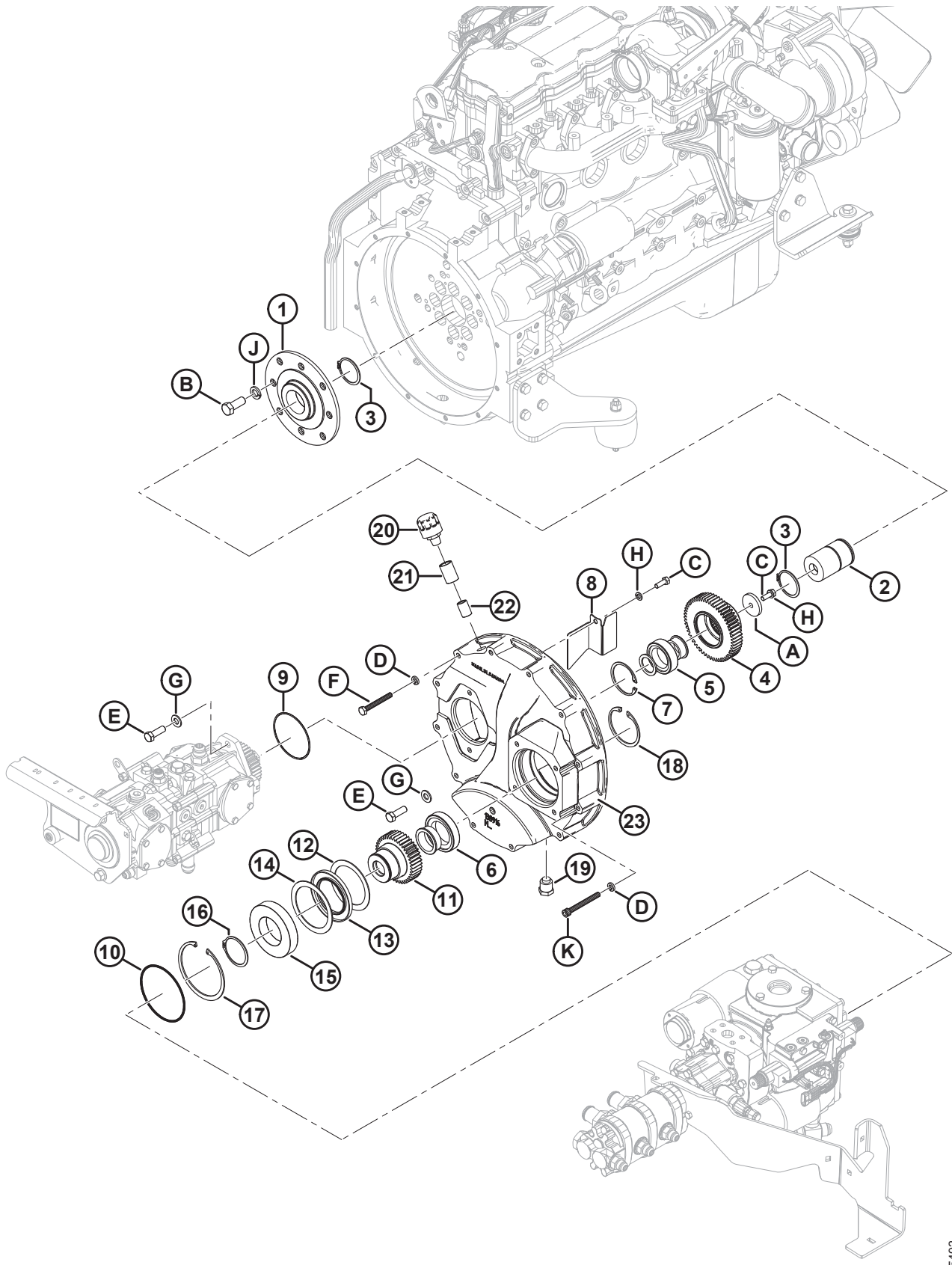


1005493

NEUTRAL INTERLOCK AND PINTLE ARMS

Ref	Part Number	Description	Qty	Serial Number
A	30682	BOLT – HH M10 X 1.5 X 90 LG ZP		
B	135542	BOLT – HH 1/2 NC X 3.0 LG GR 8 ZP		
C	18697	NUT – HEX LOCK DT .500-13 UNC		
D	18591	NUT – HEX 1/2-13 UNC GR 5 ZP		
E	50186	NUT – FLG LOCK SM FACE DT 0.500-13 UNC GR 5		
F	137727	NUT – HEX JAM, DT. 1/2-13 UNC GR 5 ZP		
G	32247	WASHER – FLAT		
H	18598	WASHER – SAE FLAT 13/32 I.D. X 13/16 IN. O.D. ZP		
J	50148	BOLT – RHSN 3/8 NC X 1.5 TFL GR 5 ZP		
K	18590	NUT – HEX 3/8-16 UNC GR 5 ZP		
L	21485	BOLT – RHSN 3/8 NC X 2.25 LG GR 5 ZP		
M	30228	NUT – FLG DT SMOOTH FACE 0.375-16 UNC		
N	20055	BOLT – HH 3/8 NC X 2.25 LG GR 5 ZP		
P	118029	WASHER – FLAT		
Q	18654	NUT – HEX 7/16-14 UNC GR 5 ZP		
R	18664	NUT – HEX JAM 3/8-16 UNC GR 5 ZP		
S	21561	BOLT – HH 3/8 NC X 1.5 LG GR 5 ZP		
T	21592	BOLT – HH 3/8 NC X 3.5 LG GR 5 ZP		
U	21489	BOLT – RHSN 1/2 NC X 2.5 LG GR 5 ZP		
V	19906	BOLT – HEX HD 3/8 NC X 4.5 TFL GR 5 ZP		
W	18637	WASHER – LOCK		

50 Engine Gearbox – 2016 and Prior



ENGINE GEARBOX – 2016 AND PRIOR

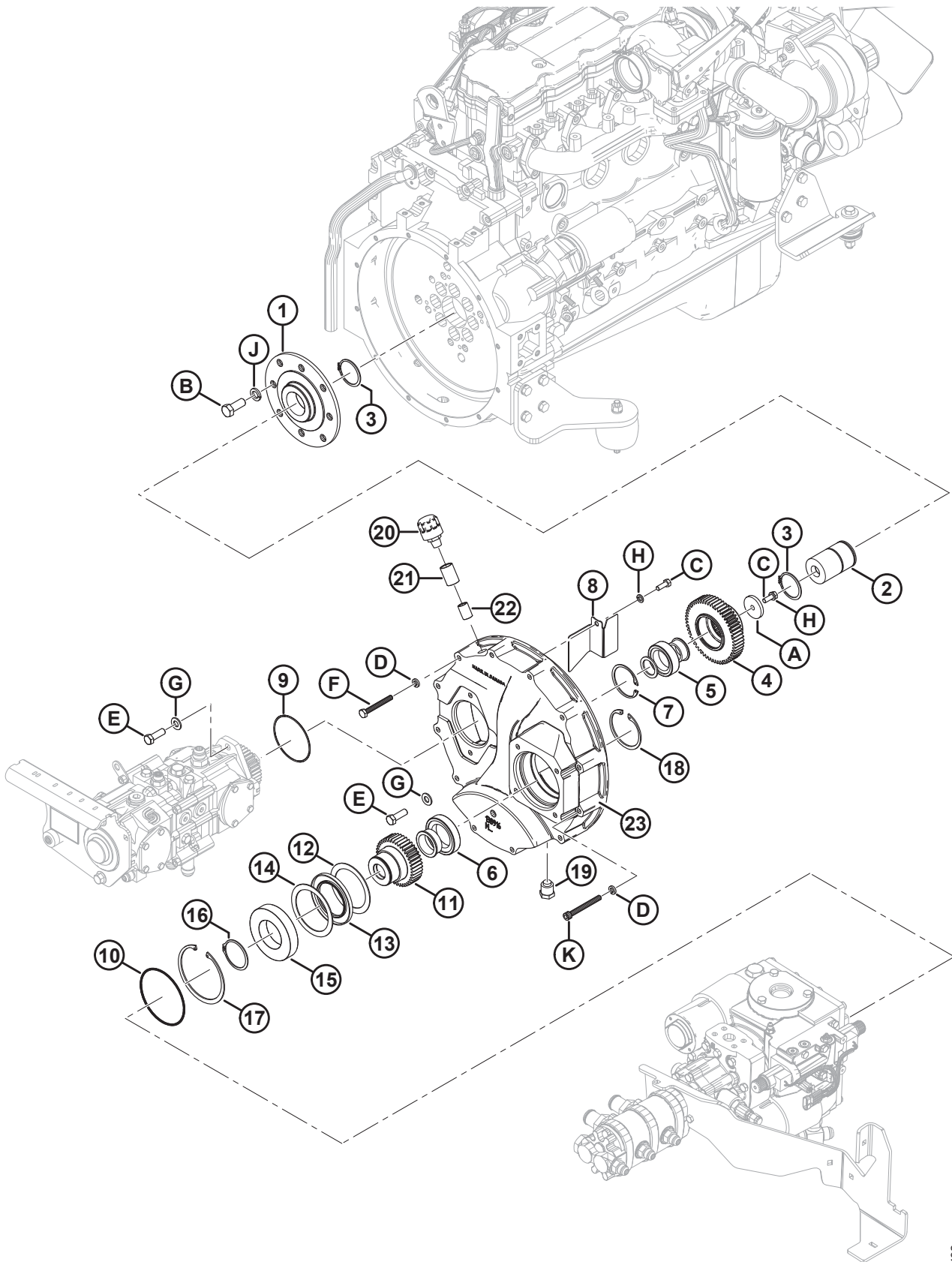
IMPORTANT:

If your machine has been serviced at any point with M205 gearbox service kit MD #183623 (machined cover casting will be stamped with MD #207521), then the gearbox needs to be repaired with 2017 components regardless of the windrowers production year. Refer to Section *51 Engine Gearbox – 2017 and Later, page 145*.

Ref	Part Number	Description	Qty	Serial Number
	REF	KIT – M205 GEARBOX SERVICE ⁹⁰		
1	111511	COUPLING – BELL HOUSING	1	–301189
2	111677	COUPLING – SPLINE	1	–301189
3	111521	RING – RETAINING	2	–301189
4	111516	GEAR – CENTER (6 CYL-56T)	1	–301189
5	111665	BEARING – ROLLER	1	–301189
6	135529	BEARING – ROLLER	1	–301189
7	38854	RING – INT RETAINING	1	–301189
8	167910	DEFLECTOR – OIL	1	–301189
9	30045	O-RING – 101.27 MM I.D. X 2.62 MM	1	–301189
10	139322	O-RING – 123.4 MM I.D. X 3.5 MM	1	–301189
11	138732	GEAR – DRIVE (1 3/8-21 T SPLINE, 41 TOOTH)	1	–301189
12	162156	SPACER	1	–301189
13	162152	SEAL – VITON	1	–301189
14	162159	SPACER	1	–301189
15	135528	BEARING – BALL CYL O.D. NO SEALS 65 MM BORE	1	–301189
16	30243	RING – EXT RETAINING	1	–301189
17	135616	RING – INT RETAINING	1	–301189
18	30882	RING – INT RETAINING	1	–301189
19	111772	PLUG – MAGNETIC (3/4 NPT)	1	–301189
20	209374	PLUG – BREATHER, RIVETED	1	–301189
21	30346	FITTING – COUPLING 1/2 NPT	1	–301189
22	5744	FITTING – CLOSE NIPPLE 1/2 NPT	1	–301189
23	138916	COVER – MACHINED	1	–301189

90. For complete gearbox service kit, refer to Section *100 M205 Gearbox Service Kit, page 275*.

ENGINE GEARBOX – 2016 AND PRIOR

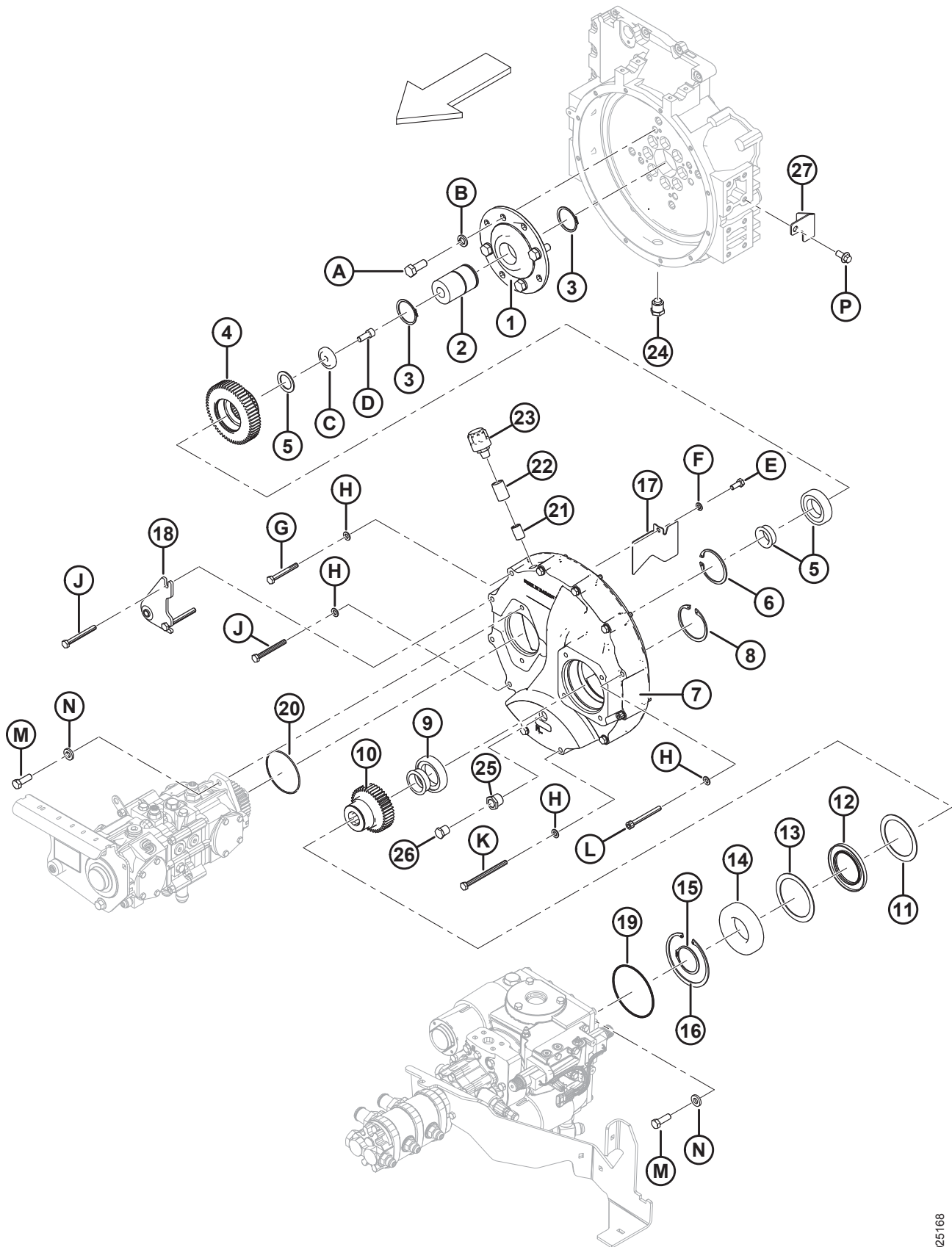


1005-492

ENGINE GEARBOX – 2016 AND PRIOR

Ref	Part Number	Description	Qty	Serial Number
A	1246	WASHER – FLAT		-301189
B	111528	BOLT – HH M16 X 2.0 X 40		-301189
C	20077	BOLT – HEX HD 3/8 NC X 1.0 LG GR 5 ZP		-301189
D	30632	WASHER – LOCK SPRING M10 ZP		-301189
E	135460	BOLT – HH 1/2 NC X 1.5 LG L9 ZP		-301189
F	135657	BOLT – HH M10 1.5 X 80 LG ZP		-301189
G	135369	WASHER – HARDENED		-301189
H	18637	WASHER – REG. LOCK 3/8 IN. NOM. I.D ZP		-301189
J	18639	WASHER – REG. LOCK 5/8 IN. NOM. I.D ZP		-301189
K	162426	BOLT – HEX SOC HD M10 X 1.5 X 90 LG ZP		-301189
L	136027	WASHER – HARDENED		-301189

51 Engine Gearbox – 2017 and Later



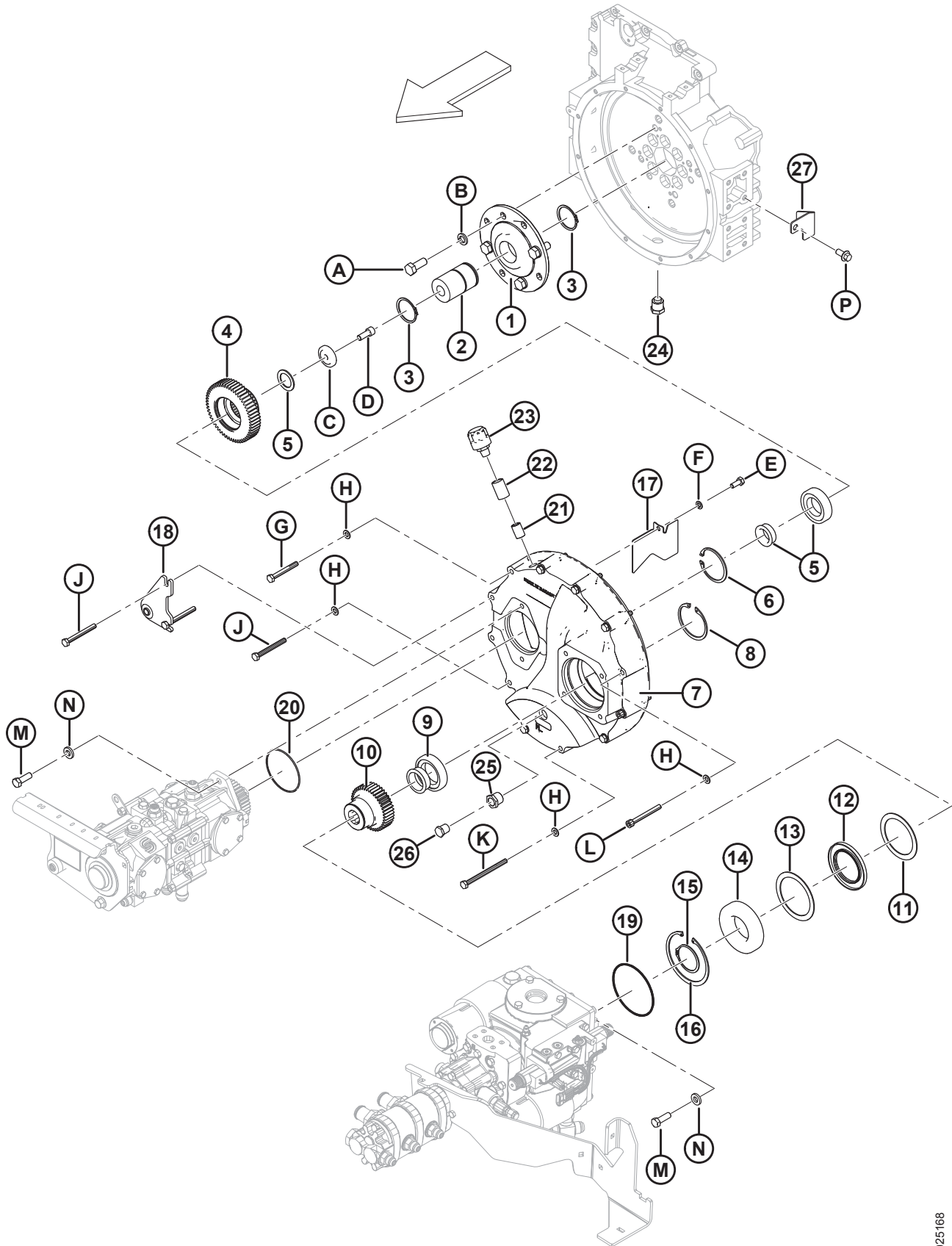
ENGINE GEARBOX – 2017 AND LATER

Ref	Part Number	Description	Qty	Serial Number
	REF	KIT – M205 GEARBOX SERVICE ⁹¹		
1	111511	COUPLING – BELL HOUSING	1	301190–
2	111677	COUPLING – SPLINE	1	301190–
3	111521	RING – RETAINING	2	301190–
4	208480	GEAR – (56T) HD GROUND	1	301190–
5	207516	BEARING – ROLLER, HD ⁹²	1	301190–
6	183814	RING – INT RETAINING	1	301190–
7	207521	COVER – MACHINED, HD BEARING	1	301190–
8	30882	RING – INT RETAINING	1	301190–
9	135529	BEARING – ROLLER	1	301190–
10	208482	GEAR – (41T) HD GROUND	1	301190–
11	162156	SPACER	1	301190–
12	162152	SEAL – VITON	1	301190–
13	162159	SPACER	1	301190–
14	135528	BEARING – BALL CYL O.D. NO SEALS 65 MM BORE	1	301190–
15	30243	RING – EXT RETAINING	1	301190–
16	135616	RING – INT RETAINING	1	301190–
17	167910	DEFLECTOR – OIL	1	301190–
18	111811	HANGER – ENGINE INTERLOCK C/W BUSHING	1	301190–
	50040	BUSHING – RUBBER		301190–
19	139322	O-RING – 123.4 MM I.D. X 3.5 MM	1	301190–
20	30045	O-RING – 101.27 MM I.D. X 2.62 MM	1	301190–
21	5744	FITTING – CLOSE NIPPLE 1/2 NPT	1	301190–
22	30346	FITTING – COUPLING 1/2 NPT	1	301190–
23	209374	PLUG – BREATHER, RIVETED	1	301190–
24	111772	PLUG – MAGNETIC (3/4 NPT)	1	301190–
25	5745	FITTING – REDUCER BUSHING	1	301190–
26	136558	PLUG – HEX HEAD PIPE	1	301190–
27	209598	BRACKET – BARRING PLUG	1	301190–

91. For complete gearbox service kit, refer to Section [100 M205 Gearbox Service Kit, page 275](#).

92. Includes bearing, inner sleeve, and thrust washer.

ENGINE GEARBOX – 2017 AND LATER

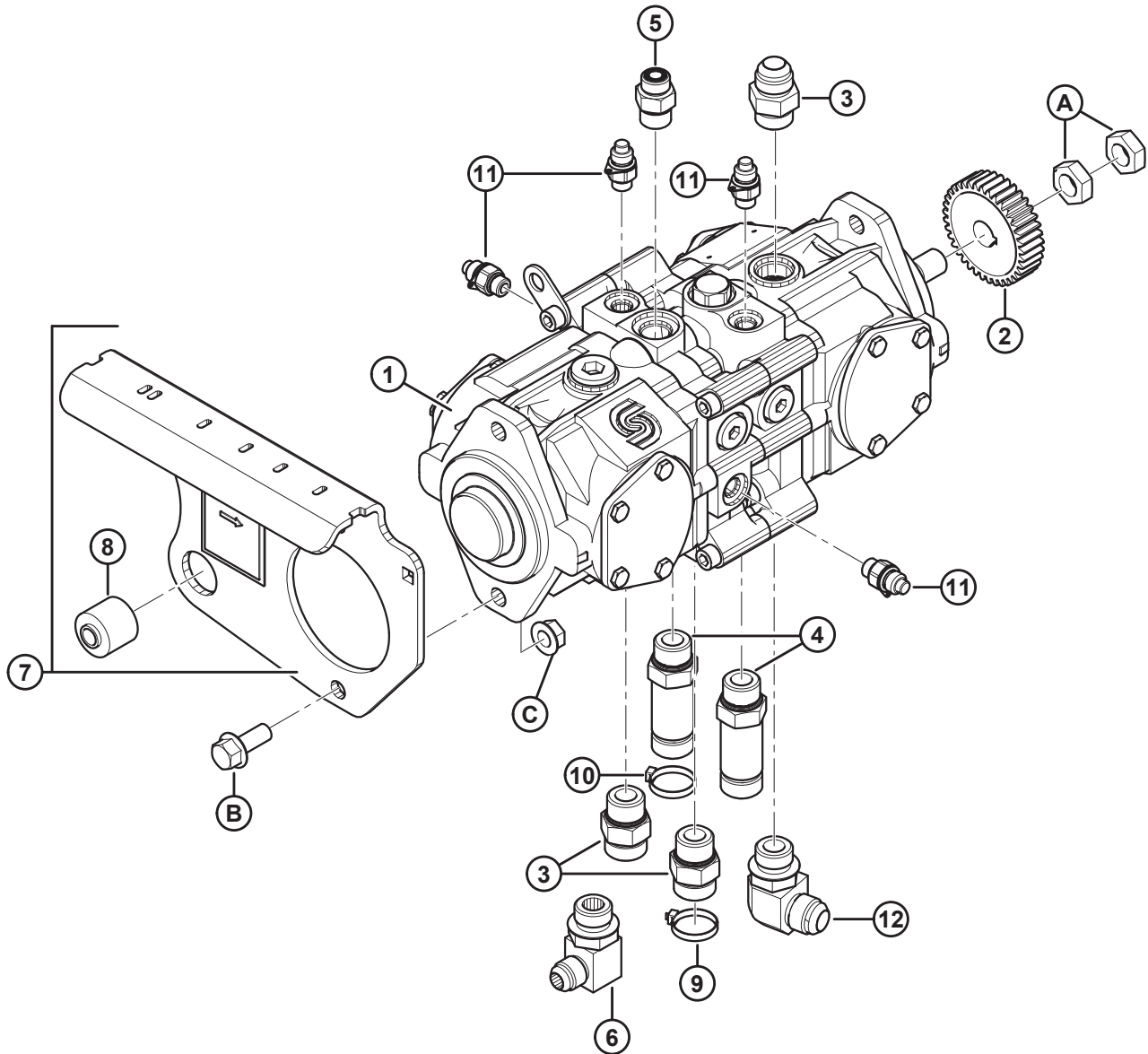


1025168

ENGINE GEARBOX – 2017 AND LATER

Ref	Part Number	Description	Qty	Serial Number
A	111528	BOLT – HEX HD TFL M16 X 2 X 40-8.8-A3L		301190–
B	18639	WASHER – REG. LOCK 5/8 IN. NOM. I.D. ZP		301190–
C	206609	WASHER – MACHINED		301190–
D	50154	SCREW – HEX SOC HD TFL M12 X 1.75 X 30-8.8-A3L		301190–
E	30627	BOLT – HEX HD TFL M10 X 1.5 X 25-8.8-A3L		301190–
F	30632	WASHER – LOCK SPRING M10-200HV-A3L		301190–
G	135657	BOLT – HEX HD M10 X 1.5 X 80-8.8-A3L		301190–
H	184711	WASHER – FLAT REG M10-200HV-A3L		301190–
J	30682	BOLT – HEX HD M10 X 1.5 X 90-8.8-A3L		301190–
K	135304	BOLT – HEX HD M10 X 1.5 X 130-8.8-A3L		301190–
L	162426	SCREW – HEX SOC HD M10 X 1.5 X 90-10.9-A3L		301190–
M	135460	BOLT – HH 1/2-13 NC X 1.5 LG L9 ZP		301190–
N	136027	WASHER – HARDENED		301190–
P	148800	BOLT – HEX FLG HD M12 X 1.75 X 25 X SPCL-10.9-A3L		301190–

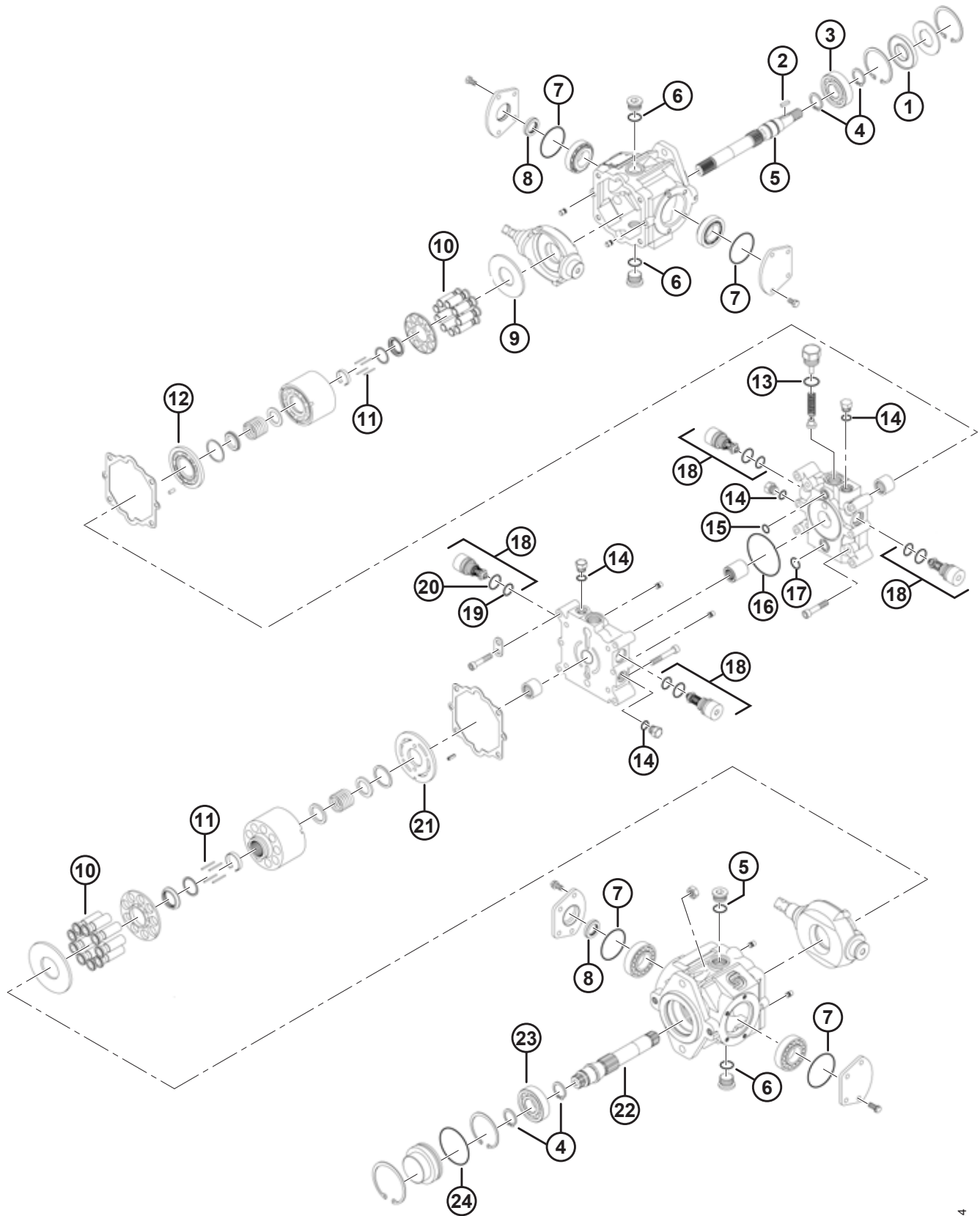
52 Traction Drive Pump



TRACTION DRIVE PUMP

Ref	Part Number	Description	Qty	Serial Number
1	205873	PUMP – TRACTION DRIVE (LOW-HIGH HP)	1	
2	111514	GEAR – PUMP (37T)	1	
3	135788	FITTING – CONNECTOR HYD	3	
	30971	O-RING – #12 ORB		
	135868	O-RING – #12 ORFS		
4	183174	FITTING – CONN. HYD LONG	2	
	30971	O-RING – #12 ORB		
	135868	O-RING – #12 ORFS		
5	184463	FITTING – ADAPTER 8 MORFS X 10 MORB	1	
6	135901	FITTING – ELBOW 90° HYD	1	
	183184	KIT – TRACTION HOSE M200/M205		
7	166426	INTERLOCK BRACKET – C/W RUBBER BUSHING AND 2 PANEL DECAL	1	
8	50040	BUSHING – RUBBER	1	
9	40701	FASTENER – CABLE TIE (YELLOW)	1	
10	40702	FASTENER – CABLE TIE (RED)	1	
11	183525	FITTING – COUPLING HYD, M16 X 2	4	
12	30970	FITTING – ELBOW 90° HYD	1	
A	7674	NUT – HEX JAM 3/4-16 UNF GR 5 ZP		
B	30368	BOLT – HH FLG (SER FACE) 1/2 NC X 1.25 GR 5 ZP		
C	50186	NUT – FLG LOCK SM FACE DT 0.500-13 UNC GR 5		

53 Traction Drive Pump Repair Parts



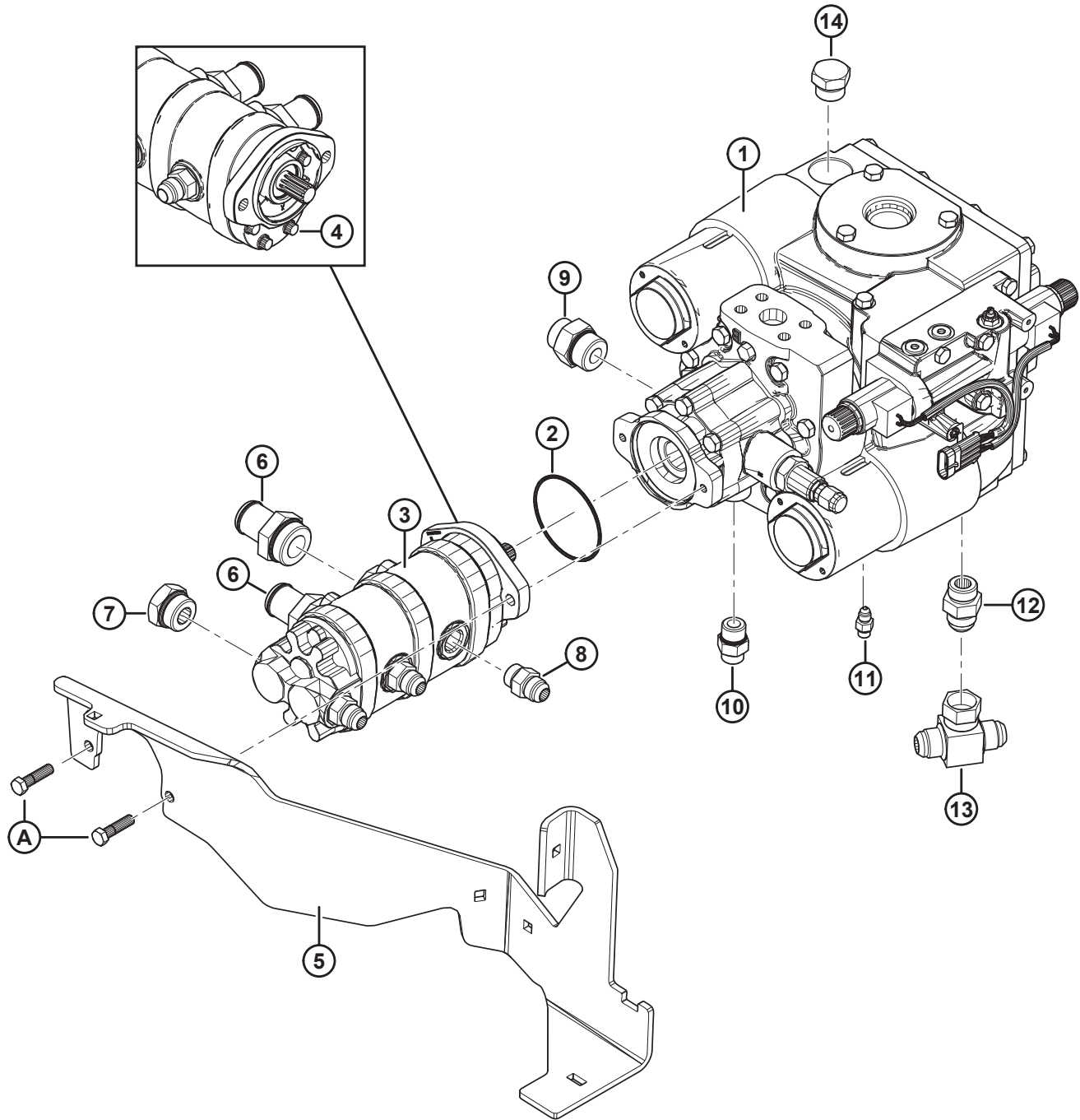
TRACTION DRIVE PUMP REPAIR PARTS

Ref	Part Number	Description	Qty	Serial Number
1	203048	SEAL – LIP	1	
2	111895	KEY	1	
3	111896	BEARING – ROLLER	1	
4	111897	RING – RETAINING	2	
5	111898	SHAFT – FRONT	1	
6	111899	O-RING	3	
7	111900	O-RING	4	
8	111901	SEAL – LIP	2	
9	111902	PLATE – THRUST	1	
10	111903	ASSEMBLY – PISTON	9	
11	111905	PIN – SLIPPER HOLD DOWN	1	
12	111906	PLATE – FRONT VALVE LH	1	
13	111907	O-RING	1	
14	111908	O-RING	4	
15	111909	O-RING	1	
16	111910	O-RING	1	
17	111911	O-RING	1	
18	111912	VALVE – SCR 385 BAR/5580 PSI	1	
19	111913	O-RING	1	
20	111914	O-RING	1	
21	111915	PLATE – REAR VALVE RH	1	
22	111916	SHAFT – REAR	1	
23	49734	BEARING – BALL	1	
24	111919	O-RING	1	
	111965	SEAL KIT – OVERHAUL (NOT ILLUSTRATED)	1	

NOTE:

Non-serviced parts illustrated for reference only.

54 Header Drive Pump

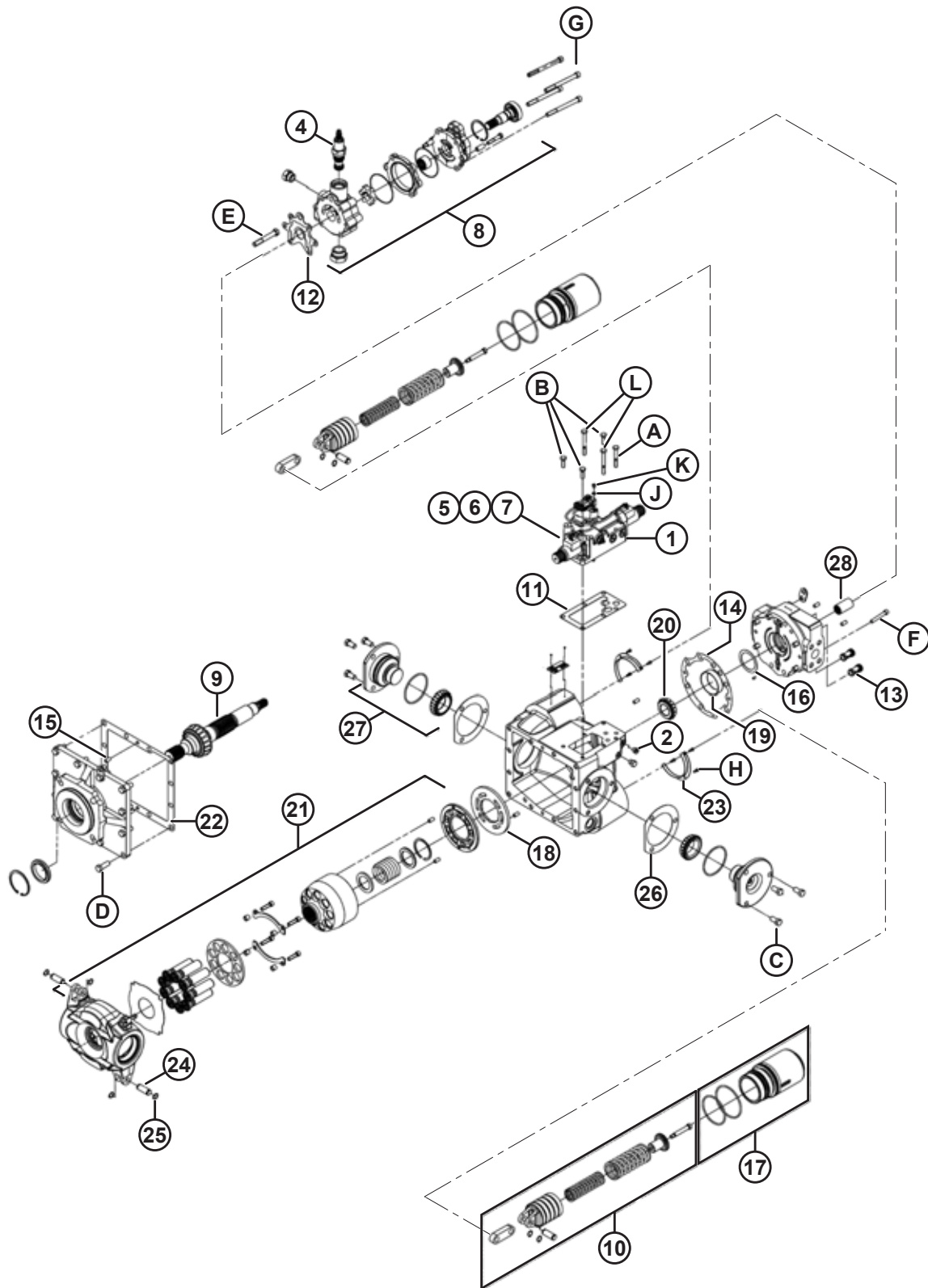


HEADER DRIVE PUMP

Ref	Part Number	Description	Qty	Serial Number
1	183915	PUMP – PISTON, EATON ⁹³	1	
2	183704	O-RING – 82.3 MM I.D. X 1.8 MM	1	244010–
	183206	O-RING – 3.239 IN. I.D. X .076 IN., NON STANDARD	1	–244009
3	138245	PUMP – TRIPLE GEAR	1	
	162307	SEAL KIT		
4	139621	SCREW – CAP	8	
5	138749	SUPPORT – LINE	1	
6	112854	FITTING – ADAPTER 1.25 IN HOSE - 1.25 IN ORB	2	
7	156051	PLUG – #16 ORB	1	
8	30695	FITTING – CONNECTOR HYD	3	
9	135789	FITTING – ADAPTER	1	
	50220	O-RING – OUTER, #20 ORB		
	135868	O-RING – INNER, #20 ORFS		
10	184463	FITTING – ADAPTER 8 MORFS X 10 MORB	1	
11	135588	FITTING – ADAPTER HYD, ORIFICED	1	
12	21830	FITTING – CONNECTOR HYD	1	
13	50097	FITTING – TEE HYD	1	
14	103575	PLUG – HEX C/W O-RING	1	
A	21561	BOLT – HH 3/8 NC X 1.5 LG GR 5 ZP		

93. When installing replacement pump MD #183915, use O-ring MD #183704.

55 Header Drive Pump Repair Parts

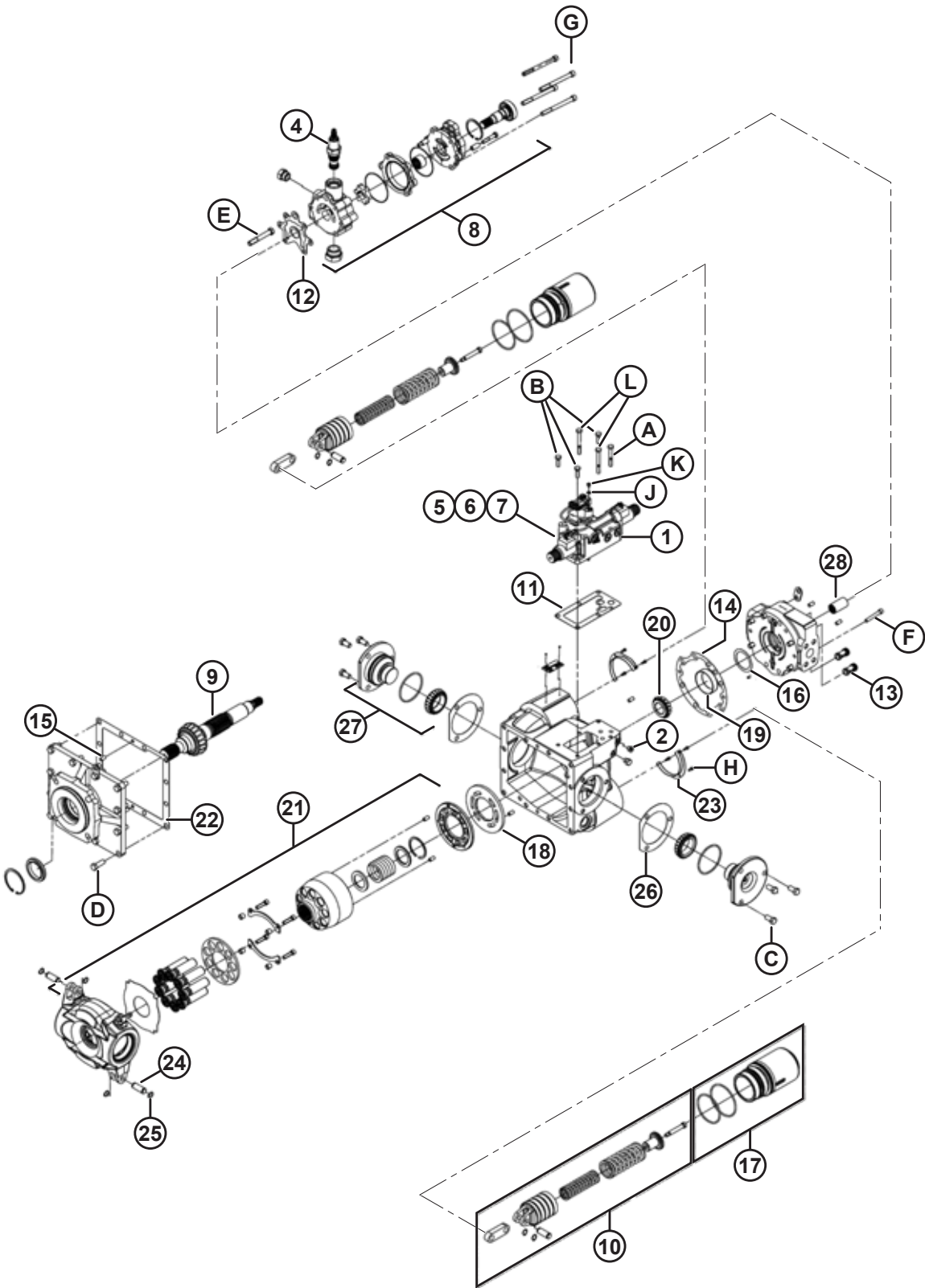


HEADER DRIVE PUMP REPAIR PARTS

Ref	Part Number	Description	Qty	Serial Number
1	100577	PLUG – HEX SOCKET C/W O-RING	1	
2	102711	PLUG – HEX SOCKET C/W O-RING	1	
3	139560	SEAL KIT – COMPLETE SEAL KIT FOR PUMP (NOT ILLUSTRATED)	1	
4	139561	VALVE – RELIEF	1	
	139562	SEAL KIT – FOR RELIEF VALVE	1	
5	139563	VALVE – EP CONTROL	1	
6	306022	TUBE – SOLENOID	1	321190–
	306026	KIT – SOLENOID ⁹⁴	A/R	–321189
7	306039	KIT – SOLENOID COIL SUBASSY	1	321190–
	306026	KIT – SOLENOID ⁹⁴	A/R	–321189
8	139566	PUMP – A-PAD CHARGE	1	
9	139567	SHAFT – PUMP DRIVE	1	
10	139568	PISTON – SERVO	2	
11	139569	GASKET – CONTROL VALVE	1	
12	139572	GASKET – CHARGE PUMP	1	
13	139573	VALVE – CHECK	2	
14	139574	GASKET – END COVER	1	
15	139575	PIN – DOWEL	7	
16	139576	SHIM – BEARING	A/R	
17	139577	SLEEVE – SERVO	2	
18	139578	PLATE – VALVE	1	
19	139579	BEARING – CUP	1	
20	139580	BEARING – CONE	1	
21	139581	PUMP – ROTATING GROUP	1	
22	139582	GASKET – MOUNTING FLG	1	
23	139584	RETAINER – SERVO	2	
24	139585	PIN – LINKAGE	2	
25	139586	RING – RETAINING	4	
26	139587	SHIM	A/R	
27	139588	TRUNNION	2	
28	139589	COUPLING	1	

94. Service part for units made in 2017 model year and prior.

HEADER DRIVE PUMP REPAIR PARTS

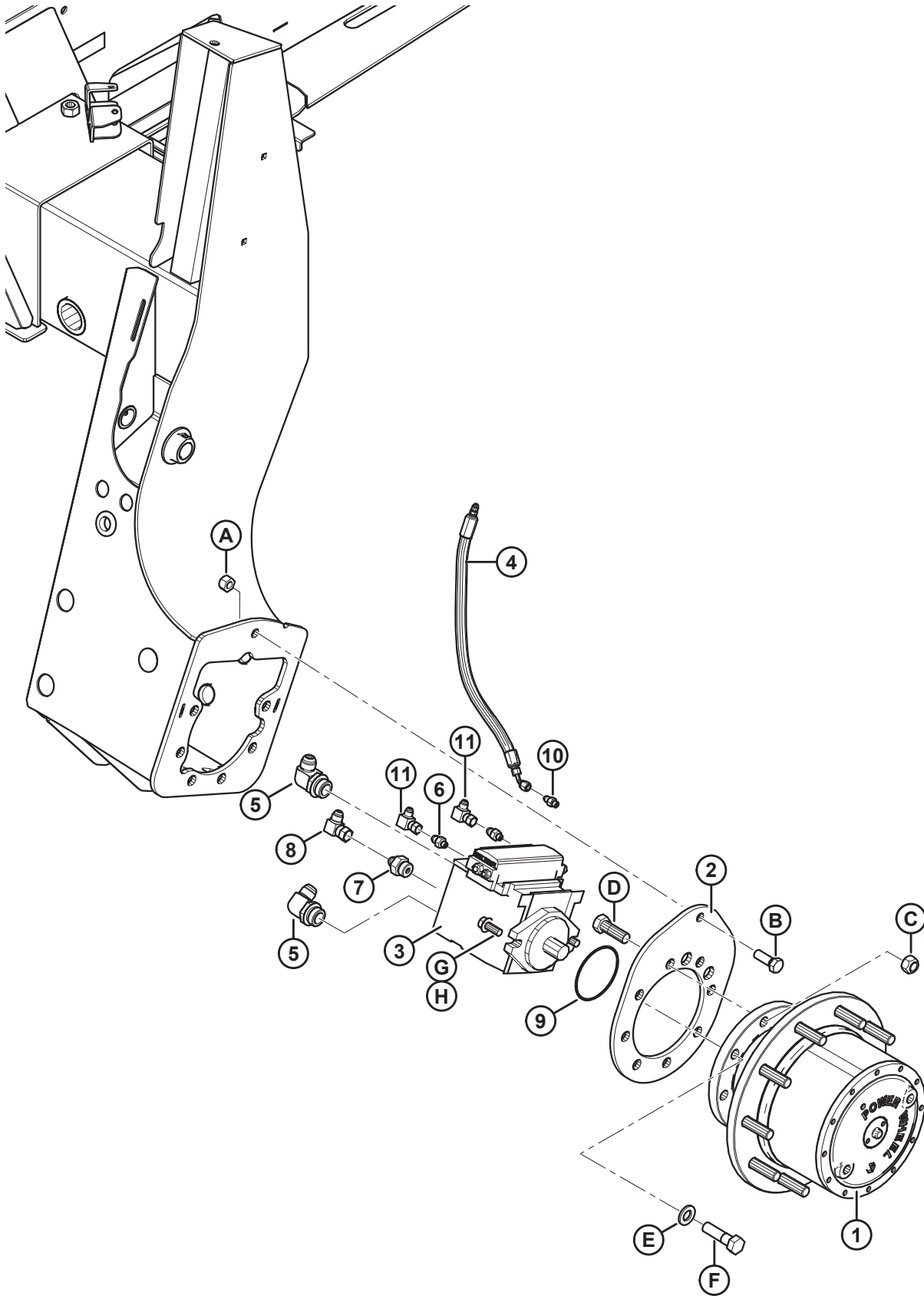


1004977

HEADER DRIVE PUMP REPAIR PARTS

Ref	Part Number	Description	Qty	Serial Number
A	5252	BOLT – HH 5/16 NC X 2.25 LG GR 5 ZP		
B	21087	BOLT – HEX HD 5/16 NC X 1.0 LG GR 5 ZP		
C	21522	BOLT – HH 7/16 NC X 1.0 LG GR 5 ZP		
D	30828	BOLT – HH 7/16 NC X 1.25 LG GR 5 ZP. GR.5 ZN		
E	113851	BOLT – HH 7/16 NC X 3.0 LG GR 8 ZP		
F	139570	BOLT – SOCKET HD		
G	139571	BOLT – SOCKET HD		
H	139583	BOLT – SOCKET HD		
J	139590	WASHER – LOCK		
K	139591	SCREW – MACHINE		
L	187142	BOLT – HH 5/16 NC X 2.75 LG GR 5 ZP		

56 Wheel Drive Assembly



WHEEL DRIVE ASSEMBLY

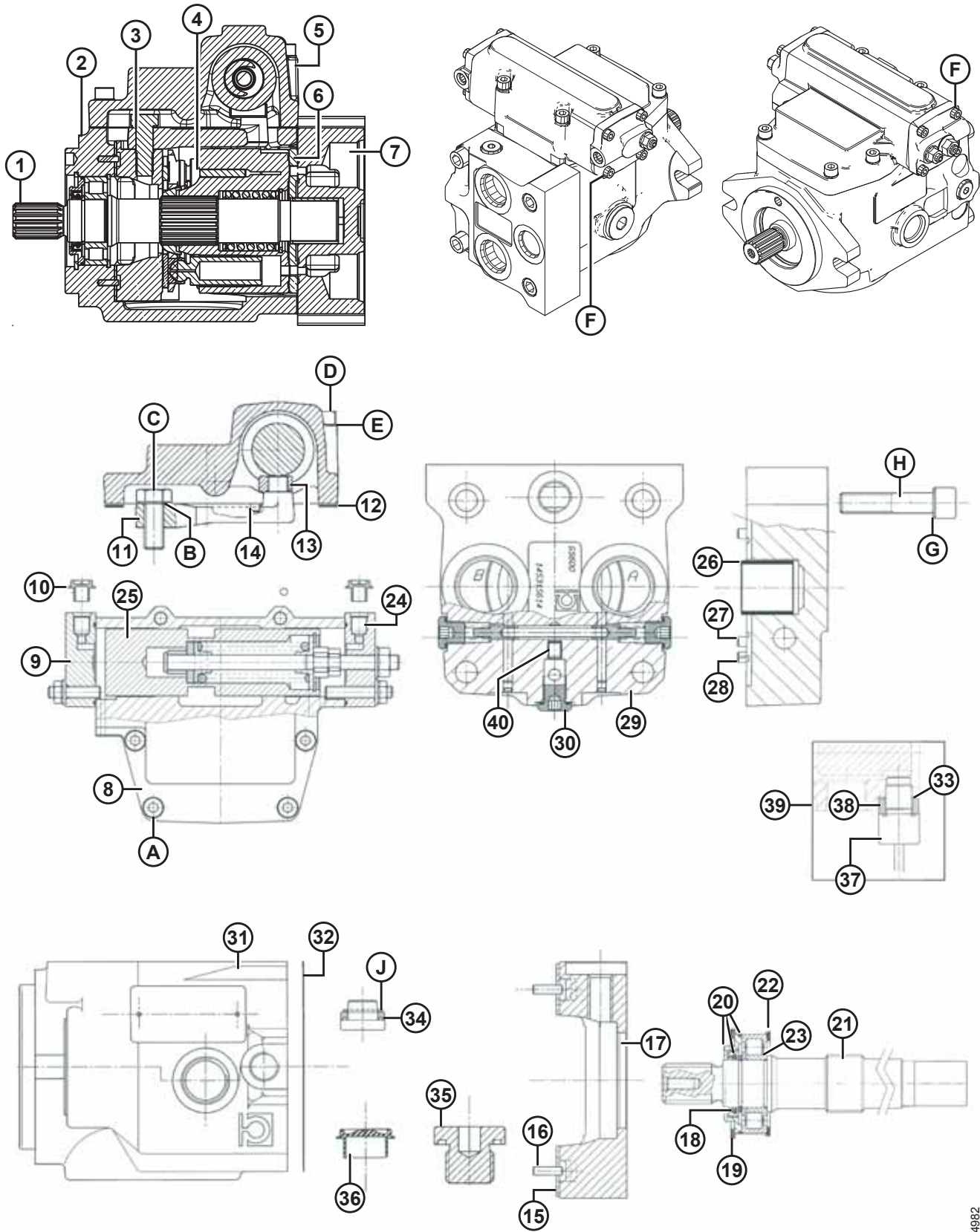
Ref	Part Number	Description	Qty	Serial Number
1	204942	DRIVE – AUBURN POWER WHEEL 30.5:1 (10 BOLT) ⁹⁵	2	
	204474	DRIVE – AUBURN POWER WHEEL 30.5:1 (8 BOLT) ⁹⁶	2	
	111579	DRIVE – WHEEL, BONFIGLIOLI, MID-HIGH HP (8 BOLT) ⁹⁷	2	
2	111266	PLATE – WHEEL DRIVE	2	
3	183715	MOTOR – WHEEL DRIVE, 3 SPD	2	
4	111693	HOSE – HYD, 1/4 IN. I.D., 340 MM LG, METAL REIN.	2	
5	135901	FITTING – ELBOW HYD	4	
6	100790	FITTING – ADAPTER HYD	4	
7	30939	FITTING – ADAPTER HYD	2	
8	30314	FITTING – ELBOW 90° HYD	2	
9	30045	O-RING – 101.27 MM I.D. X 2.62 MM	2	
10	112184	FITTING – ADAPTER HYD	2	
11	106717	FITTING – ELBOW 90° HYD	4	
A	18666	NUT – HEX LOCK DT 5/8-11 UNC ZP		
B	21582	BOLT – HH 5/8 NC X 1.75 LG GR 5 ZP		
C	18689	NUT – HEX LOCK DT .750-10 UNC		
D	136016	BOLT – HH 3/4 NC X 2.25 LG GR 5 ZP		
E	112130	WASHER – HARDENED		
F	112128	BOLT – HEX HD .750-1L UNF X 2.75		
G	30368	BOLT – HH FLG (SER FACE) 1/2 NC X 1.25 GR 5 ZP (BONFIGLIOLI WHEEL DRIVE)		
	135564	BOLT – HH FLG 1/2 NC X 2.00 GR 8 ZP (AUBURN GEAR WHEEL DRIVE)		
H	136027	WASHER – FLAT, HRND (AUBURN GEAR WHEEL DRIVE)		

95. For repair parts, refer to Section *60 Wheel Drive – Auburn Gear (10 Bolt), 2015 and Later, page 173.*

96. For repair parts, refer to Section *59 Wheel Drive – Auburn Gear (8 Bolt), 2014 and Prior, page 169.*

97. For repair parts, refer to Section *58 Wheel Drive – Bonfiglioli (8 Bolt), 2014 and Prior, page 165.*

57 Wheel Drive Motor Repair Parts

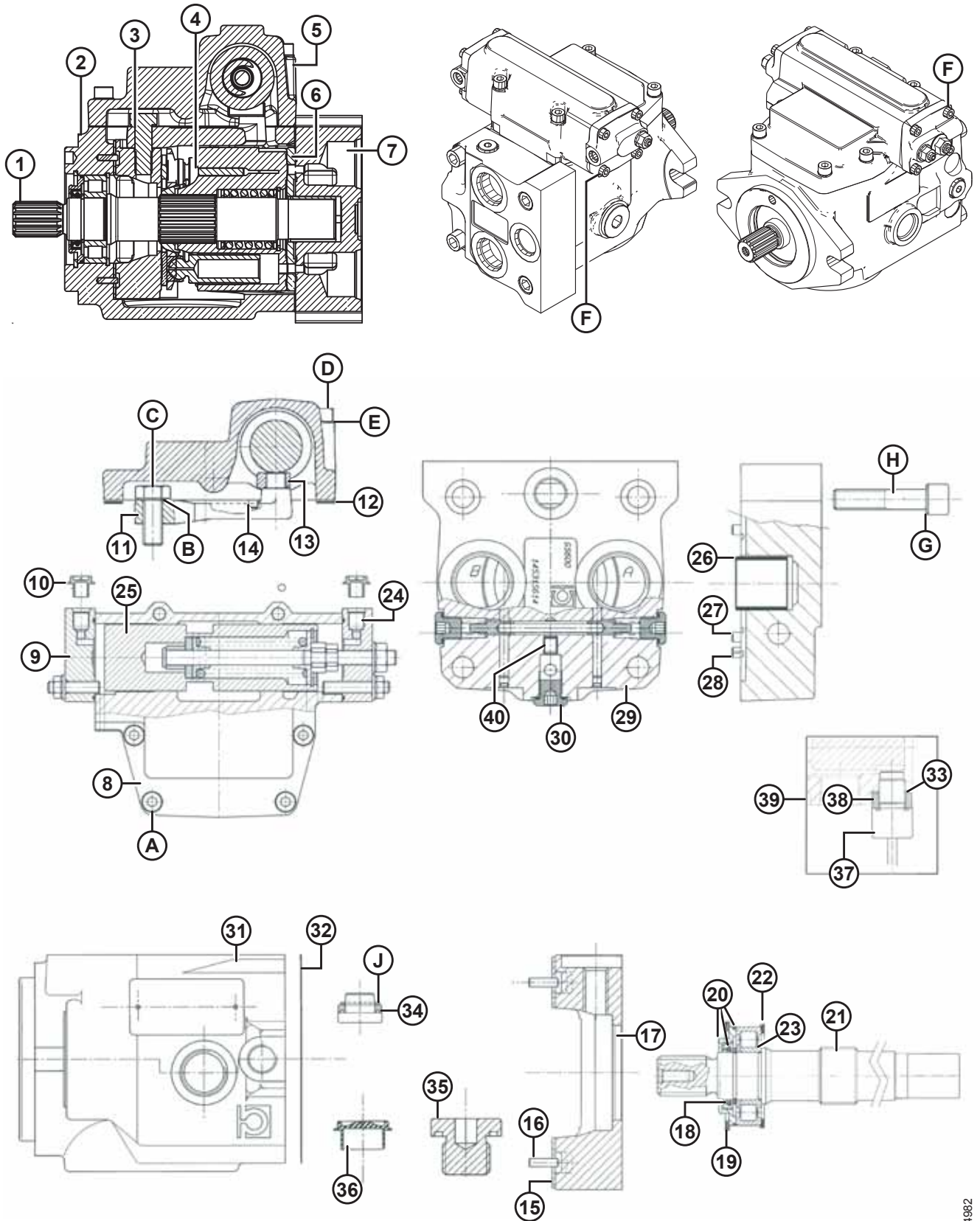


WHEEL DRIVE MOTOR REPAIR PARTS

Ref	Part Number	Description	Qty	Serial Number
	183715	MOTOR – WHEEL DRIVE, 3 SPD	2	
	166305	SENDER – SPEED, LH	1	
	163218	SPACER – THREADED ADAPTER FOR SPEED SENSOR, LH	1	
	163215	O-RING – 1.78 X 21.95 70 SH 2-020, LH	1	
1	163196	KIT – SHAFT AND BEARING 15T 16/32 IN. DP, HIGH SPEED, VITON	1	
2	163197	KIT – HOUSING, FOR BRONZE BUSHING AND SPEED SENSOR	1	
3	163199	KIT – SUSPENDED CAM PLATE AND BRONZE BUSHINGS	1	
4	163200	KIT – ROTATING GROUP C/W 9 NOTCHES, HIGH SPEED, M4MV65	1	
5	183377	KIT – SERVO CONTROL, 3 SPD	1	
6	183627	PLATE – VALVE, BI-METALLIC	1	
7	183718	KIT – DISTRIBUTOR, REAR PORTS	1	
8	NSS	HOUSING – SERVO CONTROL	1	
9	162429	KIT – SERVO END PLATE, M8 THREAD, 7/16 IN.-20 PORT	1	
10	NSS	PLUG – PLASTIC SHIPPING, 7/16 IN. UNF	1	
11	163230	LEVER – SERVO CONTROL	1	
12	163234	GASKET – SERVO CONTROL	1	
13	163237	PLATE – SLIDE, SERVO PISTON	1	
14	NSS	PIN – 6 X 10 H8 UNI 1707	2	
15	163220	BUSHING – BRONZE, VL22	2	
16	163221	PIN – 4 X 14 H8 UNI 1707	2	
17	NSS	PLATE – CAM, SUSPENDED BRONZE BUSHING TYPE	1	
18	163206	RING – SNAP EXT. DIA. 30 X 2 UNI 7436	1	
19	163208	RING – SNAP INT. DIA. 65 UNI 7437	1	
20	163622	SEAL KIT ⁹⁸	1	
21	163196	KIT – SHAFT AND BEARING 15T 16/32 IN. DP, HIGH SPEED, VITON	1	
22	163211	RING – SNAP INT. DIA. 62 UNI 7437	1	
23	163212	BEARING – ROLLER, NUP 206 ECP 30 X 62 X 16	1	

98. Includes O-ring, shaft seal, and shaft seal support.

WHEEL DRIVE MOTOR REPAIR PARTS



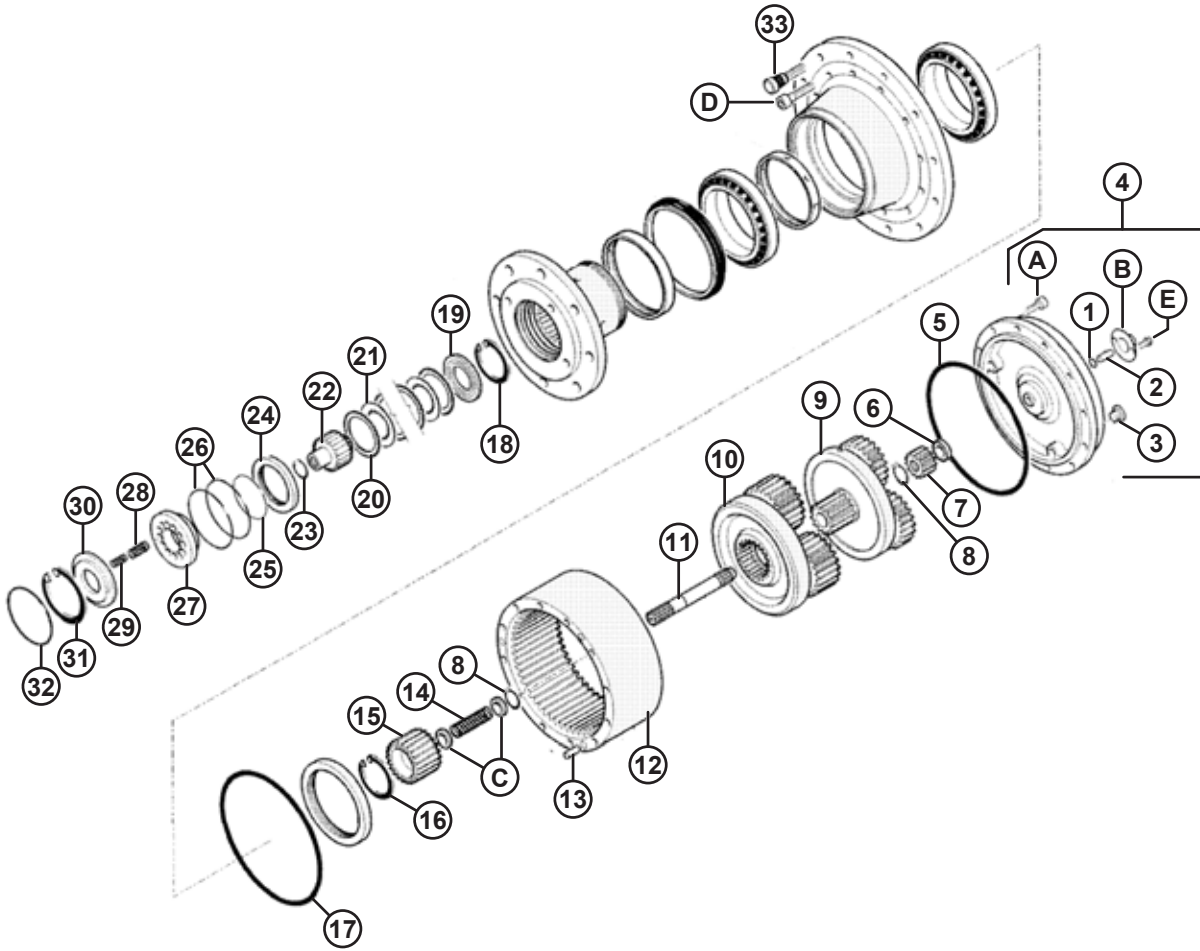
1024982

WHEEL DRIVE MOTOR REPAIR PARTS

Ref	Part Number	Description	Qty	Serial Number
24	162428	KIT – SERVO, END CAP, 3 SPD	1	
25	162403	KIT – SERVO, PISTON, 3 SPD	1	
26	163224	BUSHING – BRONZE, DISTRIBUTOR, 28 X 30	1	
27	163225	PIN – 6 X 10 H8 UNI 6874	2	
28	NSS	PIN – ELASTIC, 6 X 10 UNI 6874	1	
29	NSS	HOUSING – DISTRIBUTOR	1	
30	163227	KIT – EXCHANGE VALVE ASSEMBLY (INCLUDES PLUG)	1	
	135931	PLUG – BSPP, 1/4 IN. HOLLOW HEX	3	
31	NSS	HOUSING	1	
32	163214	GASKET – DISTRIBUTOR	1	
33	163215	O-RING – 1.78 X 21.95 70 SH 2-020	1	
34	162399	PLUG – SPEED SENSOR PORT	1	
35	163217	PLUG – SEALED 1-1/16 IN.-12 UN COUNTERSUNK (RH ONLY)	1	
36	NSS	PLUG – PLASTIC SHIPPING, 1-1/16 IN. 12 UN	1	
37	166305	SENDER – SPEED (LH ONLY)	1	
38	163218	SPACER – THREADED, SPEED SENSOR	1	
39	163198	KIT – SPEED SENSOR AND SPACER ⁹⁹	1	
40	183675	RESTRICTOR – ORIFICE, 1.7 MM	1	
A	163228	SCREW – CAP, INT. SOCKET HEAD, M8 X 30 UNI 5931		
B	NSS	WASHER – LOCK, RIB-SPRING, 12MM		
C	163231	SCREW – CAP, HEX HEAD, M12 X 35 UNI 5737		
D	163232	SCREW – CAP, INT. SOCKET HEAD, M8 X 60 UNI 5931		
E	163233	WASHER – LOCK, RIB-SPRING, 8MM		
F	136652	SCREW – HEX SKT HD M6 X 1.00 X 20-12.9-A2L		
G	163222	WASHER – LOCK RIB SPRING 12 MM		
H	163223	SCREW – CAP INT. SOCKET HEAD, M12 X 60 UNI 5931		
J	NSS	WASHER – 18.7 X 26 X 1.5 (M18)		

99. Includes O-ring (MD #163215), speed sender (MD #166305), and spacer (MD #163218).

58 Wheel Drive – Bonfiglioli (8 Bolt), 2014 and Prior



1004949

WHEEL DRIVE – BONFIGLIOLI (8 BOLT), 2014 AND PRIOR

Ref	Part Number	Description	Qty	Serial Number
	111579	DRIVE – WHEEL, BONFIGLIOLI, MID-HIGH HP (8 BOLT)		
1	111858	O-RING – 2.62 X 12.37	1	
2	111859	PIN – 12 MM, 40 MM	1	
3	111862	PLUG – MAGNETIC	2	
4	111863	ASSEMBLY – COVER	1	
5	111864	O-RING	1	
6	111865	PAD	1	
7	111866	GEAR – SUN	1	
8	111867	RING – ELASTIC	2	
9	111868	REDUCER ASSEMBLY – 1ST	1	
10	111869	REDUCER ASSEMBLY – 2ND	1	
11	111870	SHAFT – SPLINED	1	
12	111871	RING – TOOTHED	1	
13	111872	PIN – Ø12 X 40	3	
14	111874	SPRING	1	
15	111875	COUPLING	1	
16	111876	RING	1	
17	111878	O-RING	1	
18	111879	RING	2	
19	111880	DISC	1	
20	111881	DISC – STEEL	8	

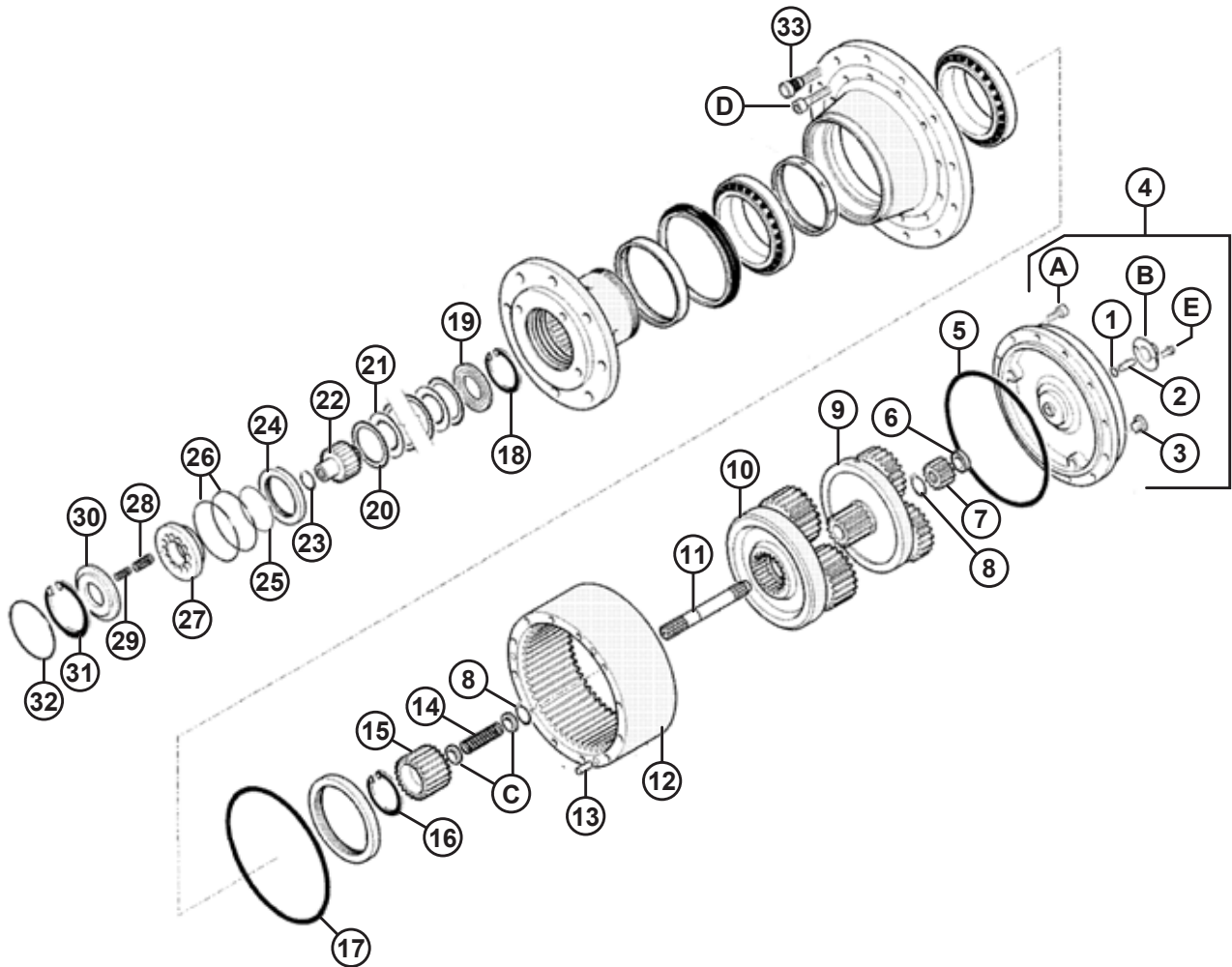
NOTE:

Quantities listed are per drive assembly.

NOTE:

Identify the proper manufacturer and bolt configuration for your particular wheel drive. For other wheel drive options, refer to Section *59 Wheel Drive – Auburn Gear (8 Bolt), 2014 and Prior, page 169* or Section *60 Wheel Drive – Auburn Gear (10 Bolt), 2015 and Later, page 173*.

WHEEL DRIVE – BONFIGLIOLI (8 BOLT), 2014 AND PRIOR



1004949

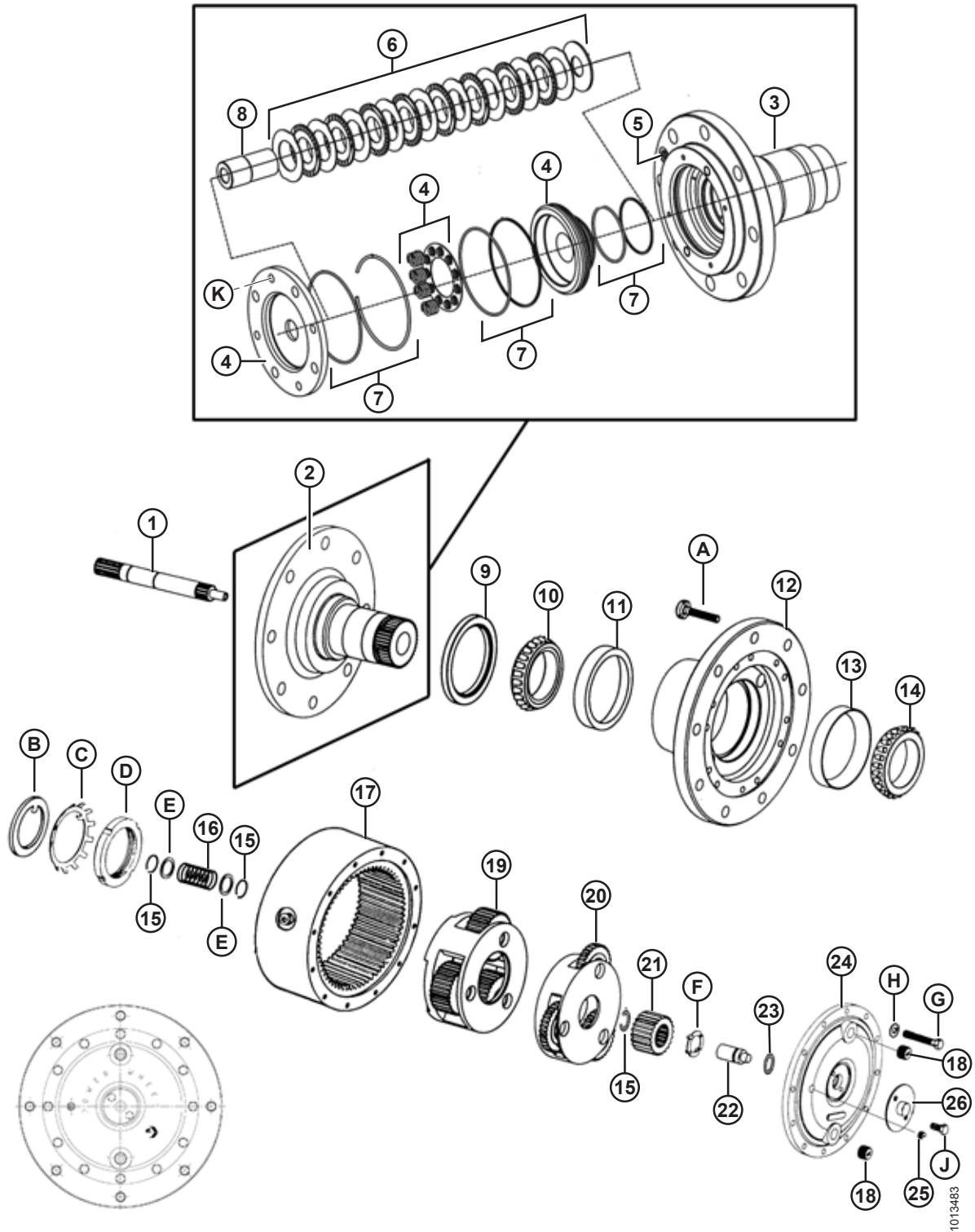
WHEEL DRIVE – BONFIGLIOLI (8 BOLT), 2014 AND PRIOR

Ref	Part Number	Description	Qty	Serial Number
21	111882	DISC – SINTERED	7	
22	111883	SHAFT – BRAKE	1	
23	111884	RING	1	
24	111885	SPACER	1	
25	111886	O-RING – 2.62 X 69.52	1	
26	111887	O-RING – 2.62 X 94.92	2	
27	111888	PISTON – BRAKE	1	
28	111889	SPRING	12	
29	111890	SPRING	12	
30	111891	RETAINER – SPRING	1	
31	111892	RING	1	
32	111893	O-RING – 2.62 X 101.27	1	
33	162056	STUD – 5/8 UNF H55 D16	8	
A	111857	SCREW – MACHINE, #10-0.190 IN, 12.9 MM LG, ZN PL		
B	111860	NUT – CAP		
C	111873	WASHER		
D	162057	BOLT – SOCKET HEAD, 12 MM X 45 MM		
E	111099	BOLT – HEX HD 5/16 NC X 0.5 LG GR 5 ZP		

NOTE:

Quantities listed are per drive assembly.

59 Wheel Drive – Auburn Gear (8 Bolt), 2014 and Prior



WHEEL DRIVE – AUBURN GEAR (8 BOLT), 2014 AND PRIOR

Ref	Part Number	Description	Qty	Serial Number
	204474	DRIVE – WHEEL, AUBURN POWER WHEEL 30.5:1 (8 BOLT)	2	
1	163757	SHAFT – INPUT	1	
2	183364	SPINDLE – DRIVE ASSEMBLY ¹⁰⁰	1	
	REF	COUPLER ¹⁰¹		
3	183371	SPINDLE ONLY		
4	183370	KIT – PISTON/END PLATE/SPRINGS		
5	183373	PLUG – PIPE		
6	183365	KIT – FRICTION DISK		
7	163756	SEAL KIT – POWER WHEEL BRAKE		
8	163762	COUPLER – SPINDLE ASSEMBLY	1	
9	163753	SEAL – OIL	1	
10	163752	BEARING – CONE	1	
11	163751	BEARING – CUP	1	
12	163748	HUB – POWER WHEEL	1	
13	163750	BEARING – CUP	1	
14	163749	BEARING – CONE	1	
15	49872	RING – RETAINING	3	
16	49866	SPRING – DISENGAGE	1	
17	163738	GEAR – RING	1	
18	30203	PLUG – MAGNETIC PIPE SQ SOCKET	2	
19	163744	CARRIER ASSEMBLY – SECONDARY	1	
20	163737	CARRIER ASSEMBLY – PRIMARY	1	
21	163736	GEAR – PRIMARY	1	
22	111093	PLUNGER – DISENGAGE	1	

NOTE:

Quantities listed are per drive assembly.

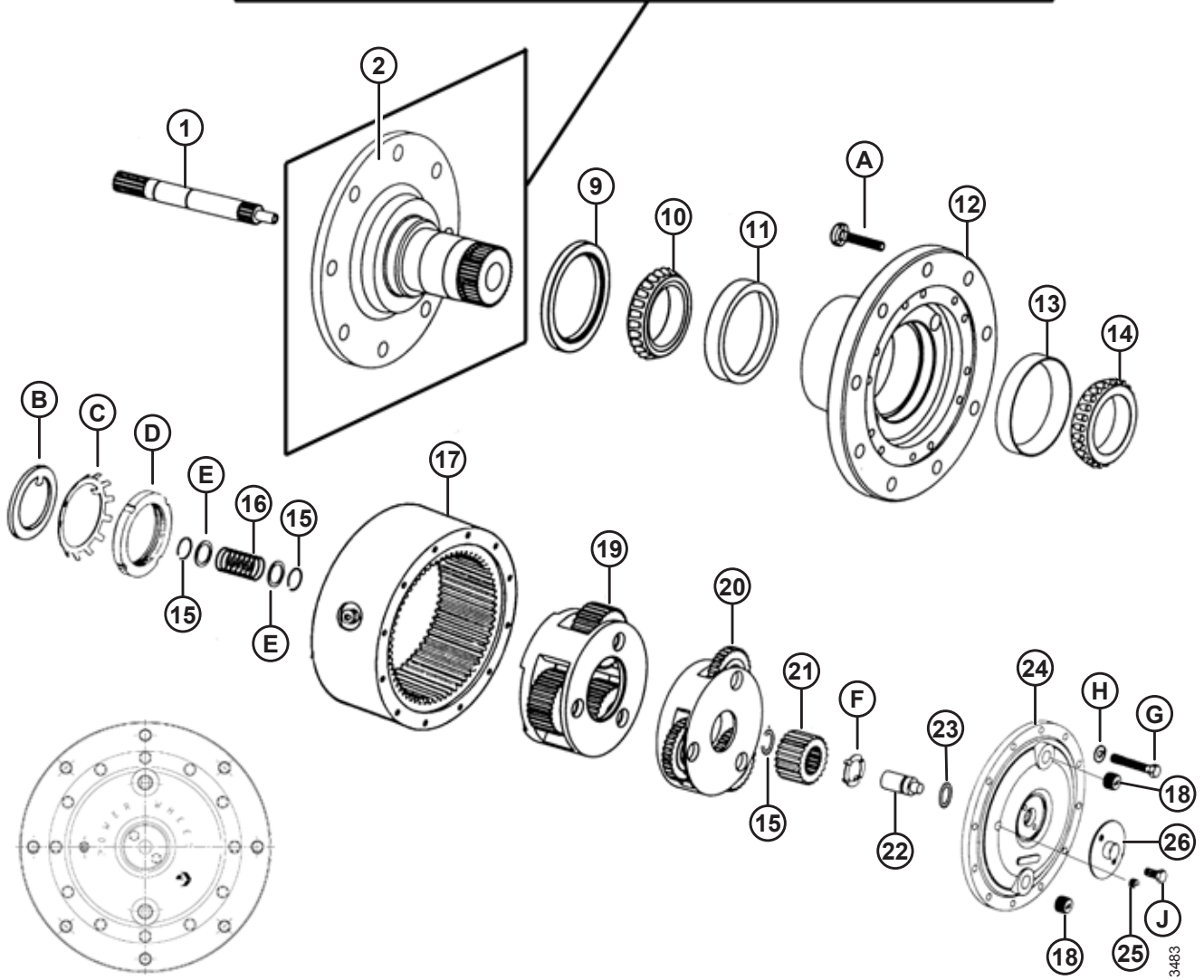
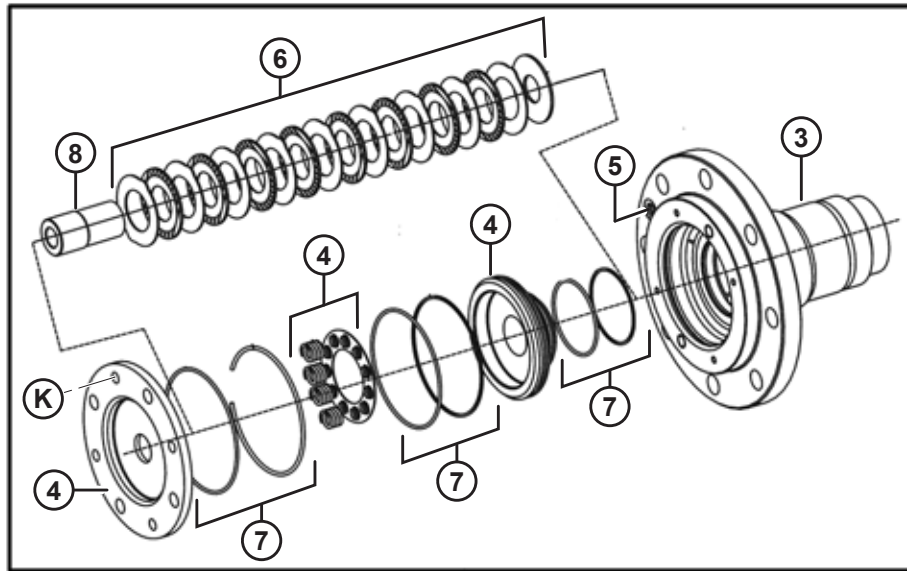
NOTE:

Identify the proper manufacturer and bolt configuration for your particular wheel drive. For other wheel drive options, refer to Section *58 Wheel Drive – Bonfiglioli (8 Bolt), 2014 and Prior, page 165* or Section *60 Wheel Drive – Auburn Gear (10 Bolt), 2015 and Later, page 173*.

100. Includes items #3–8.

101. Refer to item #8, spindle assembly coupler (MD #163762).

WHEEL DRIVE – AUBURN GEAR (8 BOLT), 2014 AND PRIOR



1013483

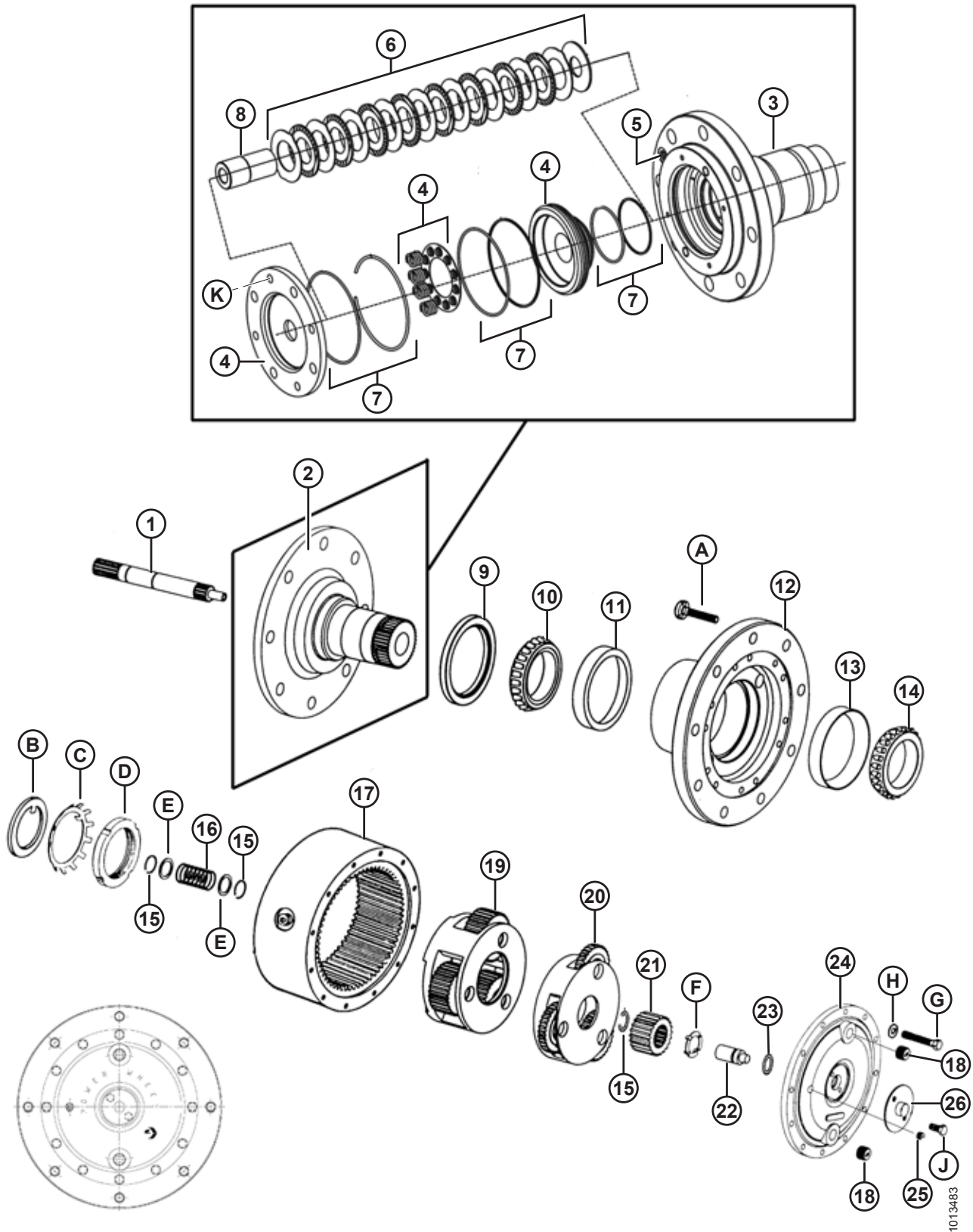
WHEEL DRIVE – AUBURN GEAR (8 BOLT), 2014 AND PRIOR

Ref	Part Number	Description	Qty	Serial Number
23	111105	O-RING	1	
24	49874	COVER – LARGE	1	
25	50231	PLUG – PIPE DRY SEAL 0.25 NPT	1	
26	30205	COVER – DISENGAGE	1	
A	49880	BOLT – WHEEL (PRESS-IN) 5/8 NF X 60 LG		
B	163747	WASHER – THRUST		
C	163746	WASHER – LOCK		
D	163745	NUT – BEARING		
E	49867	WASHER – THRUST		
F	30200	WASHER – THRUST		
G	49879	BOLT – HEX HD		
H	30191	WASHER – FLAT		
J	111099	BOLT – HEX HD 5/16 NC X 0.5 LG GR 5 ZP		
K	183374	SCREW – SKT HD CAP, END PLATE TO SPINDLE		

NOTE:

Quantities listed are per drive assembly.

60 Wheel Drive – Auburn Gear (10 Bolt), 2015 and Later



WHEEL DRIVE – AUBURN GEAR (10 BOLT), 2015 AND LATER

Ref	Part Number	Description	Qty	Serial Number
	204942	DRIVE – AUBURN POWER WHEEL 30.5:1 (10 BOLT)	2	
1	163757	SHAFT – INPUT	1	
2	183368	SPINDLE – DRIVE ASSEMBLY ¹⁰²	1	
3	183372	SPINDLE ONLY		
4	183370	KIT – PISTON/END PLATE/SPRINGS		
5	183373	PLUG – PIPE		
6	183365	KIT – FRICTION DISK		
7	163756	SEAL KIT – POWER WHEEL BRAKE		
8	163762	COUPLER – SPINDLE ASSEMBLY	1	
9	163753	SEAL – OIL	1	
10	163752	BEARING – CONE	1	
11	163751	BEARING – CUP	1	
12	166694	HUB – 10 BOLT M20	1	
13	163750	BEARING – CUP	1	
14	163749	BEARING – CONE	1	
15	49872	RING – RETAINING	3	
16	49866	SPRING – DISENGAGE	1	
17	163738	GEAR – RING	1	
18	30203	PLUG – MAGNETIC PIPE SQ SOCKET	2	
19	163744	CARRIER ASSEMBLY – SECONDARY	1	
20	163737	CARRIER ASSEMBLY – PRIMARY	1	
21	163736	GEAR – PRIMARY	1	
22	111093	PLUNGER – DISENGAGE	1	

NOTE:

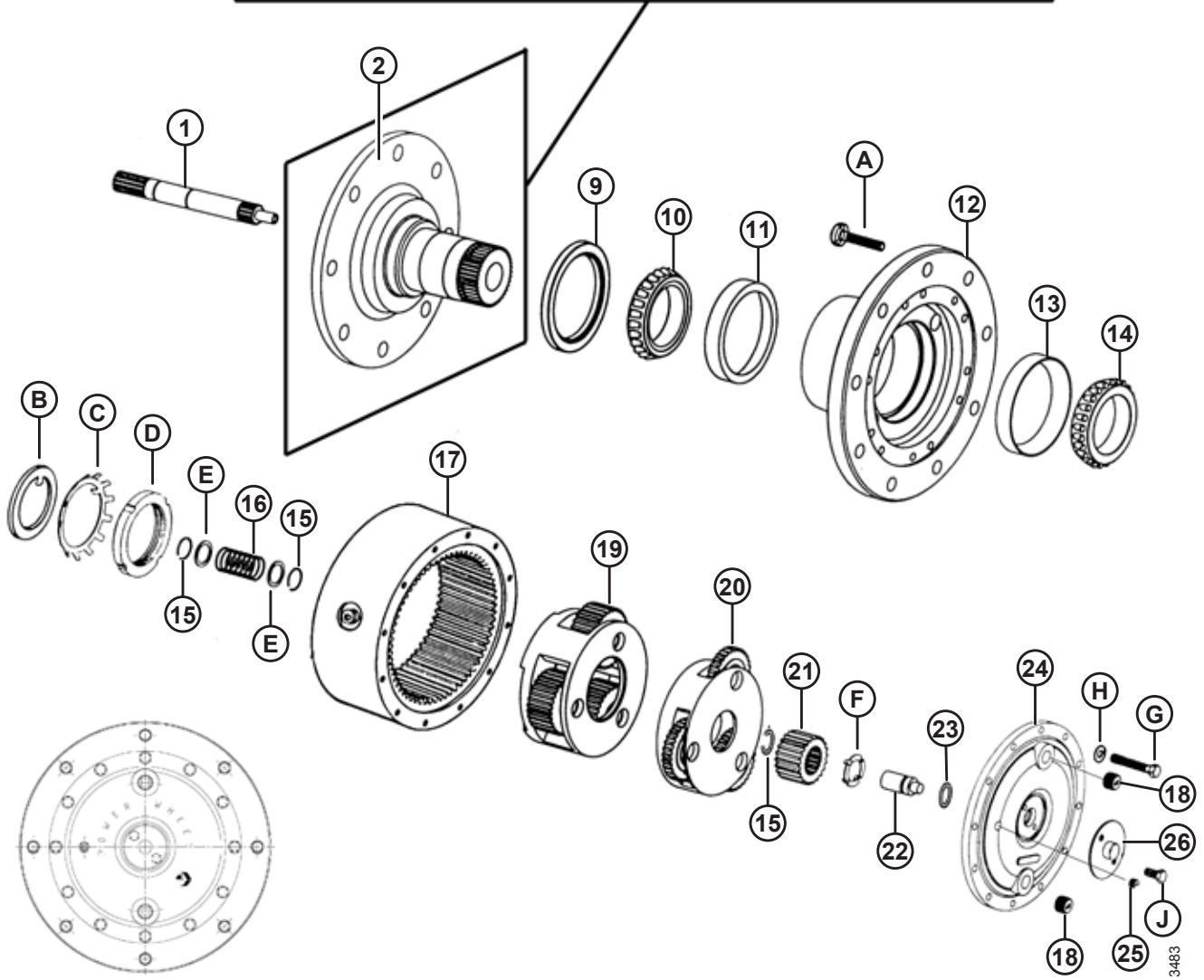
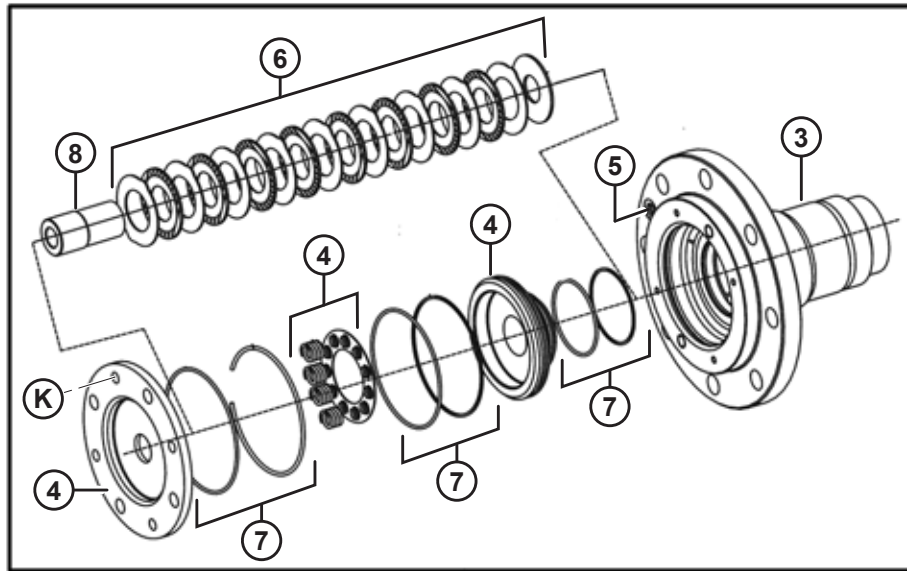
Quantities listed are per drive assembly.

NOTE:

Identify the proper manufacturer and bolt configuration for your particular wheel drive. For other wheel drive options, refer to Section *58 Wheel Drive – Bonfiglioli (8 Bolt), 2014 and Prior, page 165* or Section *59 Wheel Drive – Auburn Gear (8 Bolt), 2014 and Prior, page 169*.

102.Includes items #3–8.

WHEEL DRIVE – AUBURN GEAR (10 BOLT), 2015 AND LATER



1013483

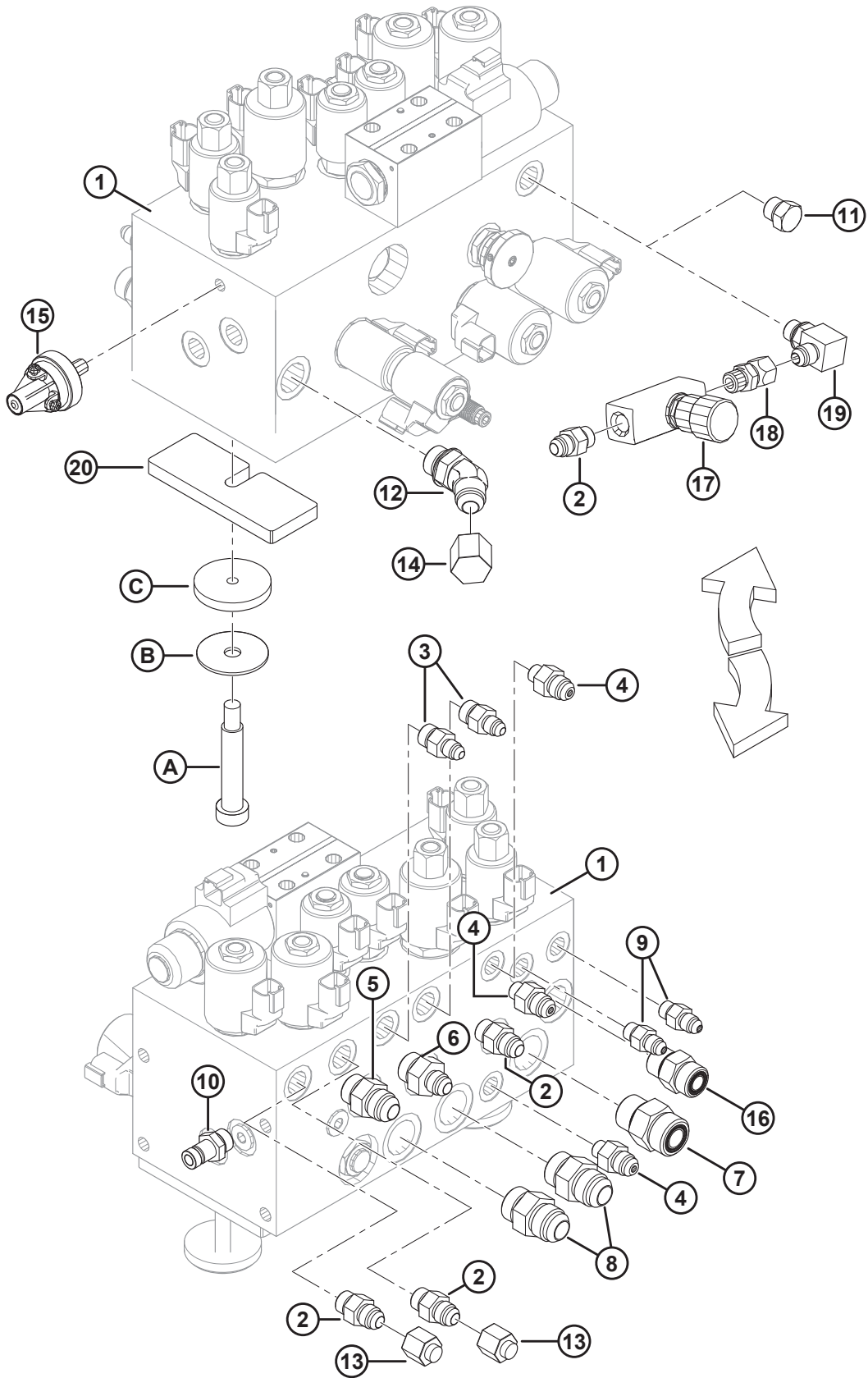
WHEEL DRIVE – AUBURN GEAR (10 BOLT), 2015 AND LATER

Ref	Part Number	Description	Qty	Serial Number
23	111105	O-RING	1	
24	49874	COVER – LARGE	1	
25	50231	PLUG – PIPE DRY SEAL 0.25 NPT	1	
26	30205	COVER – DISENGAGE	1	
A	205188	BOLT – WHEEL (PRESS-IN) M20 X 82 MM LG		
B	163747	WASHER – THRUST		
C	163746	WASHER – LOCK		
D	163745	NUT – BEARING		
E	49867	WASHER – THRUST		
F	30200	WASHER – THRUST		
G	49879	BOLT – HEX HD		
H	30191	WASHER – FLAT		
J	111099	BOLT – HEX HD 5/16 NC X 0.5 LG GR 5 ZP		
K	183374	SCREW – SKT HD CAP (END PLATE TO SPINDLE)		

NOTE:

Quantities listed are per drive assembly.

61 Header Lift Manifold

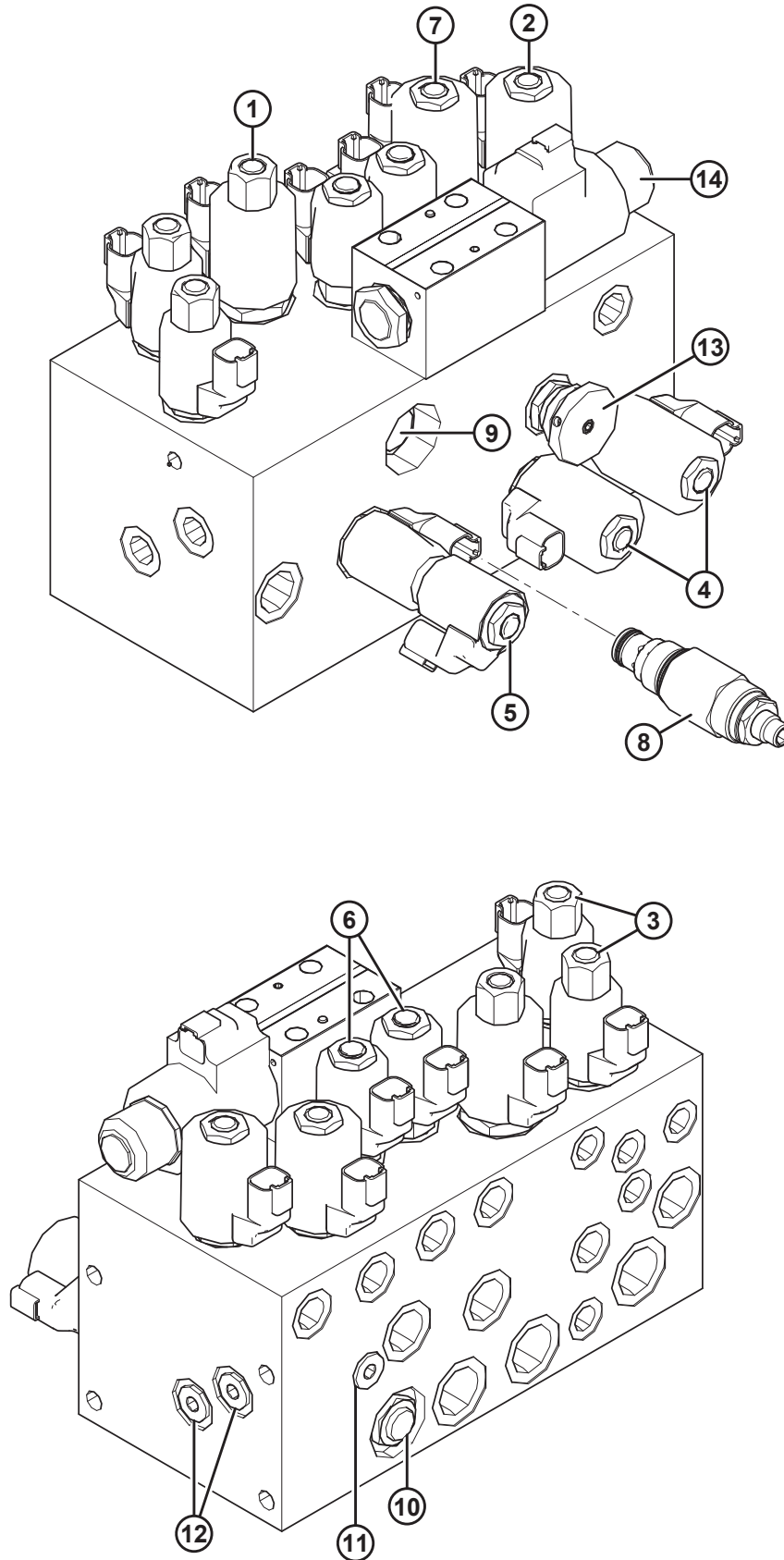


HEADER LIFT MANIFOLD

Ref	Part Number	Description	Qty	Serial Number
1	183798	VALVE – LIFT MANIFOLD ¹⁰³	1	
2	15903	FITTING – CONNECTOR HYD	3	
3	30524	FITTING – ADAPTER HYD	2	
4	100790	FITTING – ADAPTER HYD	3	
5	21030	FITTING – CONNECTOR HYD	1	
6	21804	FITTING – CONNECTOR HYD	1	
7	184461	FITTING – ADAPTER 10 MORFS X 10 MORB	1	
8	30695	FITTING – CONNECTOR HYD	2	
9	112184	FITTING – ADAPTER HYD	2	
10	135587	FITTING – COUPLING HYD-TEST PORT	1	
11	30994	PLUG – HEX C/W O-RING	1	
12	30315	FITTING – ELBOW 45° HYD C/W O-RING	1	
13	30813	CAP – 3/8 IN. TUBE	2	
14	108233	CAP – 1/2 IN. TUBE	1	
15	167273	SWITCH – BRAKE	1	
16	135780	FITTING – ADAPTER	1	
	44209	O-RING – #8 ORB		
	135866	O-RING – #8 ORFS		
17	183211	VALVE – FLOW CONTROL, HYD (DRAPER HEADER ONLY)	1	
18	135015	FITTING – ADAPTOR, HYD (DRAPER HEADER ONLY)	1	
19	30282	FITTING – ELBOW 90°, HYD (DRAPER HEADER ONLY)	1	
20	166743	PAD – RUBBER FRONT MANIFOLDS	2	
A	136795	SCREW – HEX SOC HD SHLDR 1/2-3/8 X 2.25-AS-A3L		
B	166747	WASHER – FLAT		
C	166700	WASHER – RUBBER		

103. For service parts, refer to Section *62 Lift Manifold Valve Repair Parts, page 179*. See service bulletin SB1210 for required software updates.

62 Lift Manifold Valve Repair Parts

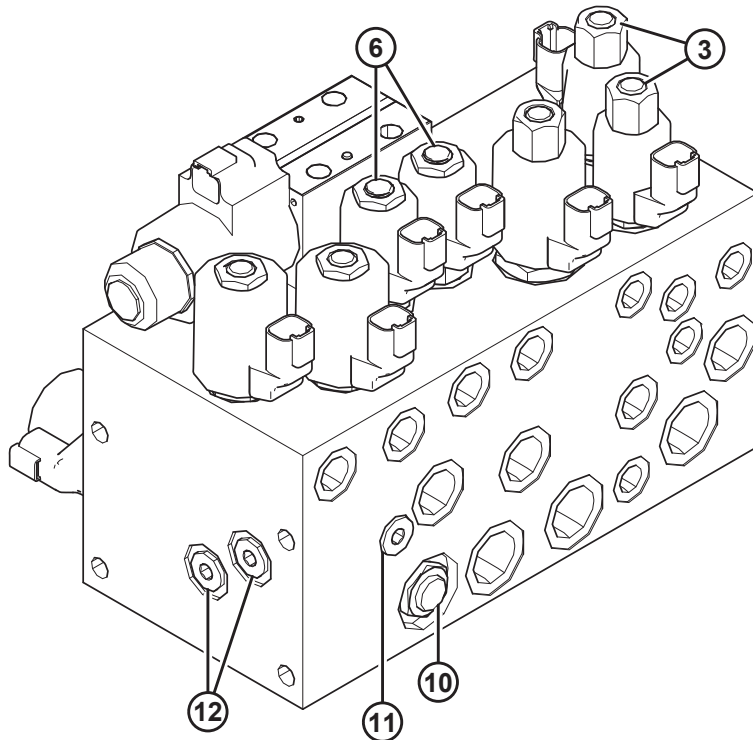
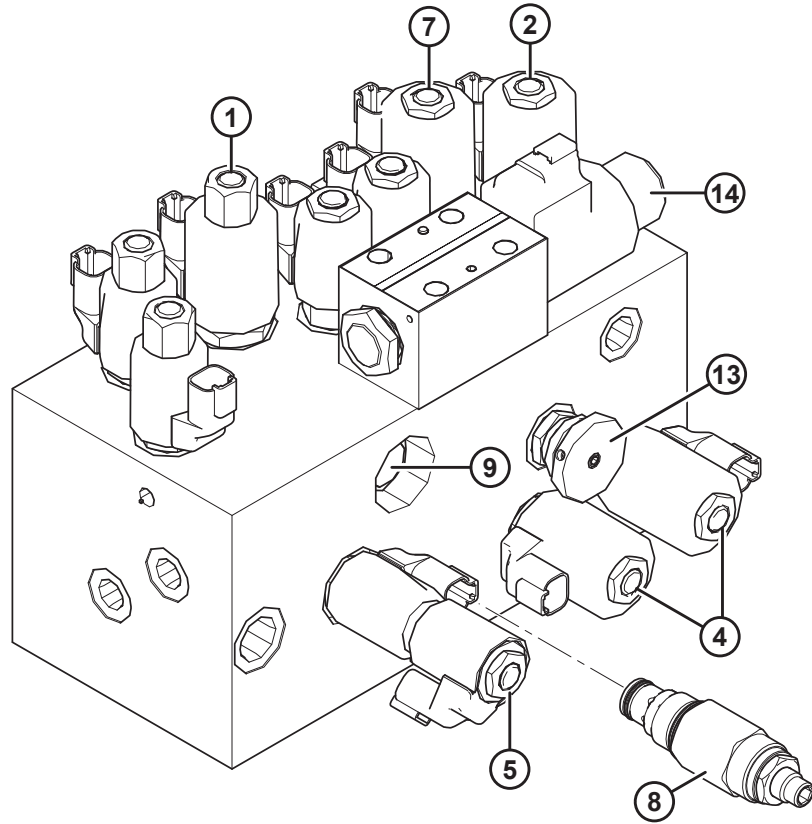


LIFT MANIFOLD VALVE REPAIR PARTS

Ref	Part Number	Description	Qty	Serial Number
	183798	VALVE – LIFT MANIFOLD ¹⁰⁴		
1	139128	VALVE – SOLENOID	1	
	163155	COIL – TOUGH, FOR 1/2 IN. VALVE STEM		
	163189	NUT		
	163175	SEAL KIT		
2	163142	VALVE – SOLENOID (FOR 1/2 IN. VALVE STEM)	1	
	163155	COIL – TOUGH, FOR 1/2 IN. VALVE STEM		
	139543	DISK – ORIFICE		
	163190	NUT – FOR 1/2 IN. VALVE STEM		
	49846	SEAL KIT		
3	49842	VALVE – SOLENOID	2	
	163153	COIL – TOUGH		
	163189	NUT		
	49844	SEAL KIT		
4	139129	VALVE – SOLENOID	2	
	163155	COIL – TOUGH, FOR 1/2 IN. VALVE STEM		
	163190	NUT – FOR 1/2 IN. VALVE STEM		
	163160	SEAL KIT		
5	163144	VALVE – SOLENOID	1	
	163152	COIL – TOUGH		
	163190	NUT – FOR 1/2 IN. VALVE STEM		
	49849	SEAL KIT		
6	163146	VALVE – SOLENOID	2	
	163152	COIL – TOUGH		
	163157	DISK – ORIFICE		
	163163	SEAL KIT		
	163193	NUT – COIL		

104. See service bulletin SB1210 for required software updates.

LIFT MANIFOLD VALVE REPAIR PARTS

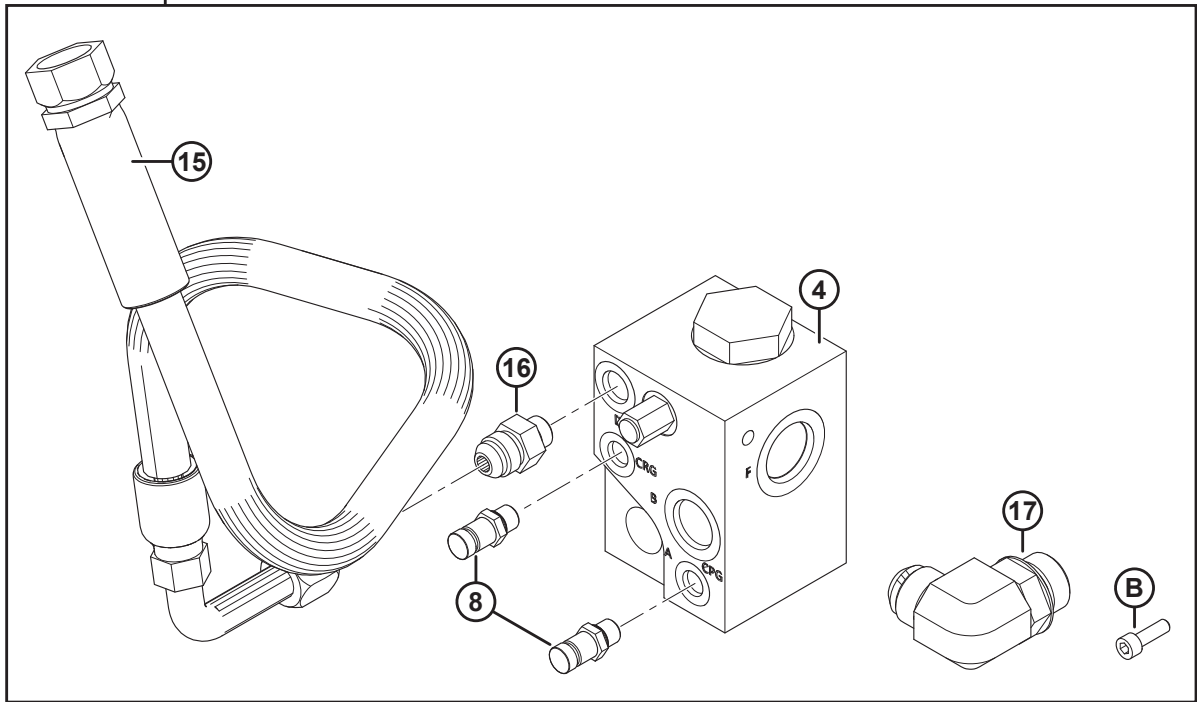
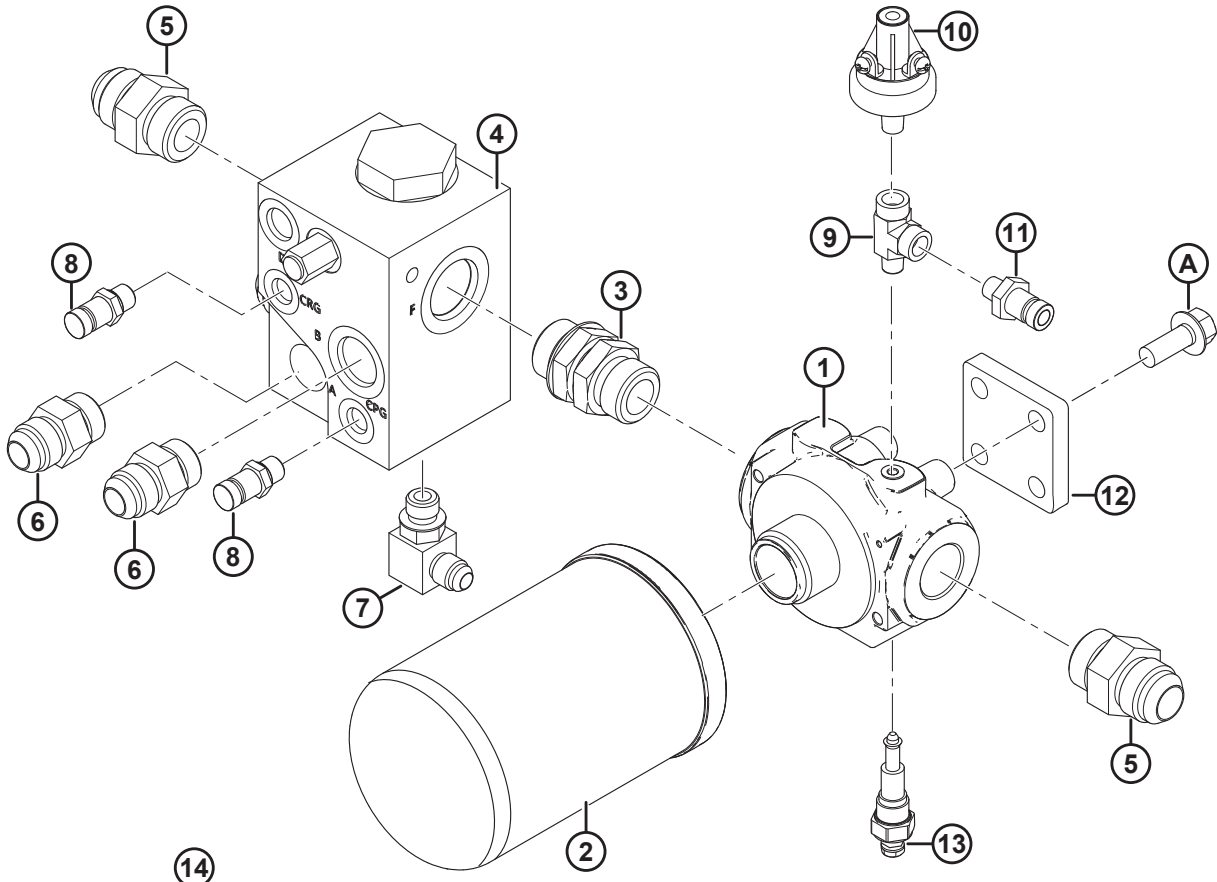


1022540

LIFT MANIFOLD VALVE REPAIR PARTS

Ref	Part Number	Description	Qty	Serial Number
7	163143	VALVE – SOLENOID (FOR 5/8 IN. VALVE STEM)	1	
	163154	COIL – TOUGH, FOR 5/8 IN. VALVE STEM		
	163191	NUT – FOR 5/8 IN. VALVE STEM		
	163160	SEAL KIT		
8	183699	VALVE – RELIEF	1	
	220908	SEAL KIT		
9	139131	VALVE – CHECK	1	
10	163150	VALVE – CHECK	1	
11	163151	PLUG – ORIFICE	1	
12	100577	PLUG – SAE	2	
13	139132	VALVE – NEEDLE	1	
14	139130	VALVE – DIRECTIONAL CONTROL	1	
	163192	NUT		
	163162	SEAL KIT		
	163148	KIT – BOLT		

63 Cooler Bypass



1018473

COOLER BYPASS

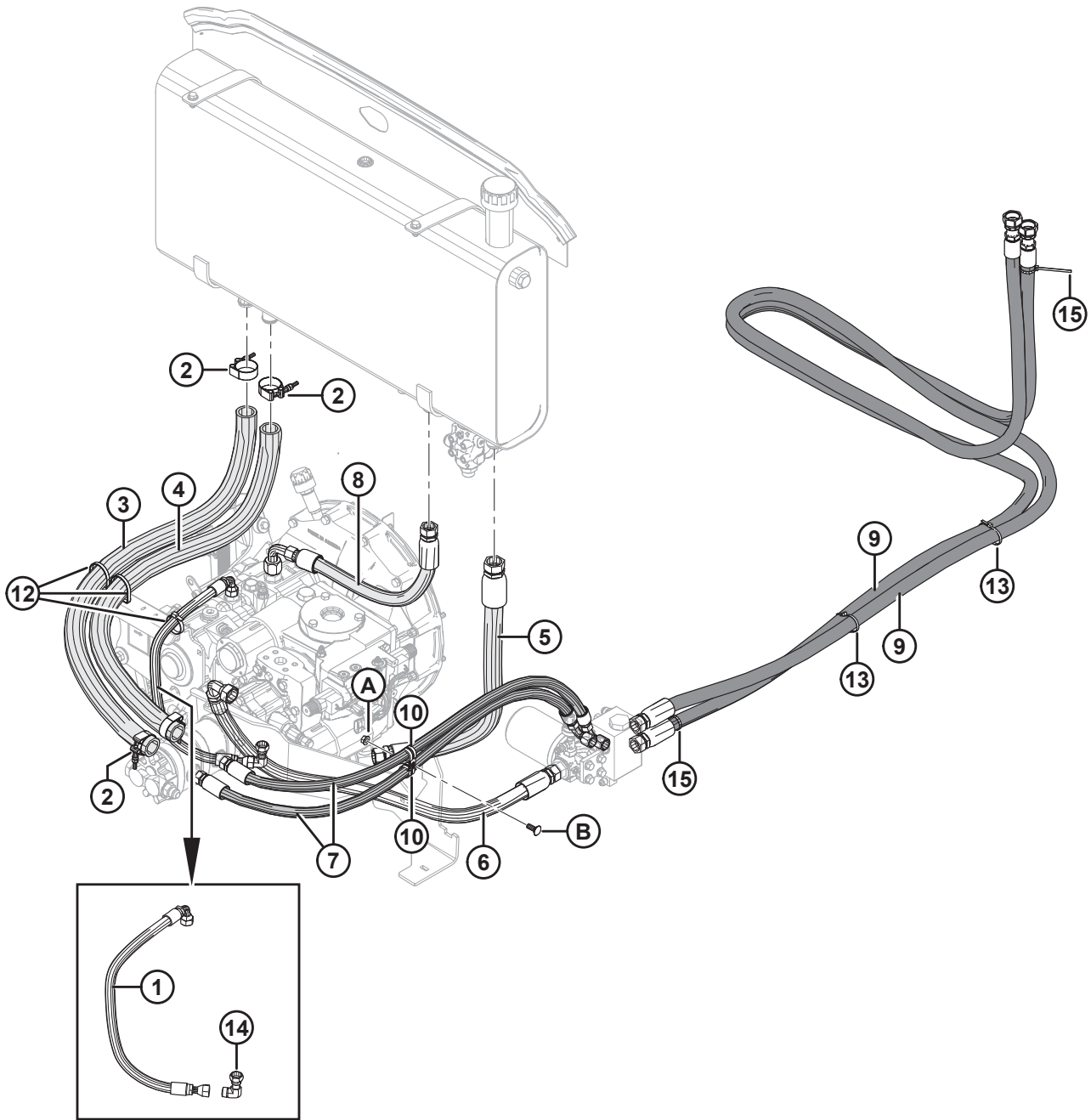
Ref	Part Number	Description	Qty	Serial Number
1	139936	FILTER HEAD WITH SWITCH AND ELEMENT ¹⁰⁵	1	
	50230	PLUG – PIPE		
2	112419	FILTER ELEMENT	1	
3	112197	FITTING – CONNECTOR HYD C/W O-RINGS	1	
4	183494	MANIFOLD – COOLER BYPASS ¹⁰⁶	1	
	183505	RELIEF VALVE		
	183509	VALVE – SEQUENCE		
	183521	SEAL KIT – RELIEF VALVE		
5	21830	FITTING – CONNECTOR HYD	3	
6	30695	FITTING – CONNECTOR HYD	2	
7	30282	FITTING – ELBOW 90° HYD	1	
8	134437	FITTING – COUPLING HYD-TEST PORT	2	
9	135861	FITTING – TEE	1	
10	139775	SWITCH – PRESSURE TRACTION SUPERCHARGE	1	
11	135862	FITTING – COUPLING HYD-TEST PORT	1	
12	139041	PLATE – SPACER	1	
13	139722	SWITCH – SERVICE INDICATOR	1	
14	183519	KIT – M205 OIL COOLER BYPASS (2015 AND PRIOR) ¹⁰⁷	1	
15	183493	HOSE – 5/8 IN. I.D., 800 MM LG, METAL REIN.	1	
16	21031	FITTING – CONNECTOR HYD	1	
17	30970	FITTING – ELBOW 90° HYD	1	
18	40704	FASTENER – CABLE TIE, ORANGE	1	
A	21975	BOLT – HH FLG (SER FACE) 3/8 NC X 1.0 GR 5 ZP		
B	136652	SCREW – HEX SOC HD M6 X 1 X 20-12.9-A2L		

105.Includes filter element (MD #112419) and spacer plate (MD #139722).

106.For model year units 2015 and later or units updated with M205 oil cooler bypass kit MD #183519.

107.Kit includes the following: manifold (MD #183494), hose (MD #183493), fitting (MD #21031), fitting (MD #30970), two fittings (MD #134437), 16 screws (MD #136652), and instructions.

64 Hydraulics – Charge Cooler

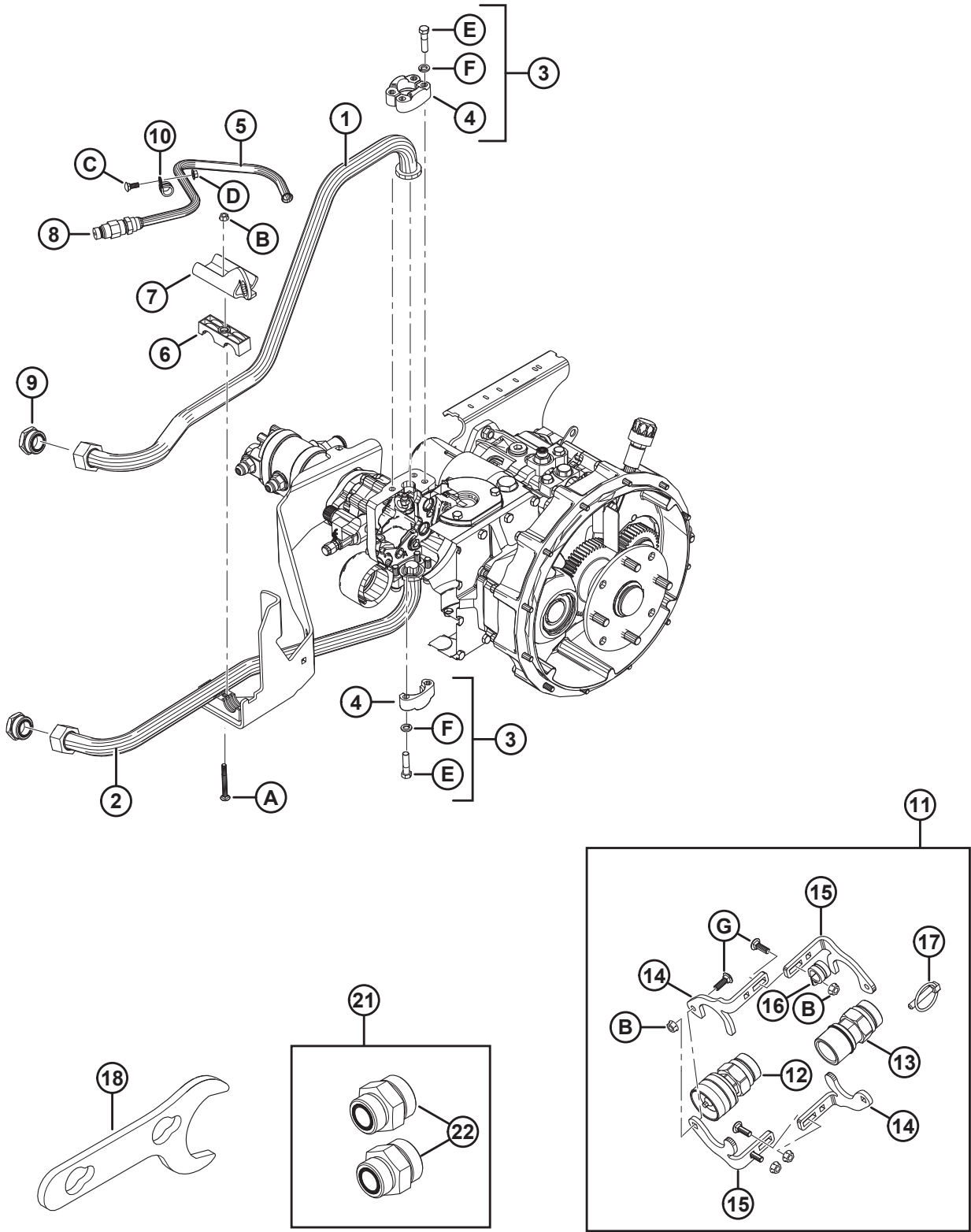


HYDRAULICS – CHARGE COOLER

Ref	Part Number	Description	Qty	Serial Number
1	139795	HOSE KIT ¹⁰⁸	1	-216499
	139286	HOSE – HYD, 1/2 IN. I.D., 630 MM LG, METAL REIN.	1	216500-
2	135227	CLAMP – T-BOLT	4	
3	138774	HOSE – SUCTION, 1-1/4 IN. I.D., 1060 MM LG, METAL REIN.	1	
4	138775	HOSE – SUCTION, 1-1/4 IN. I.D., 980 MM LG, METAL REIN.	1	
5	138776	HOSE – HYD, 1 IN. I.D., 730 MM LG, METAL REIN.	1	
6	138777	HOSE – HYD, 3/4 IN. I.D., 1030 MM LG, METAL REIN.	1	
7	138778	HOSE – HYD, 1/2 IN. I.D., 1120 MM LG, METAL REIN.	2	
8	138779	HOSE – HYD, 3/4 IN. I.D., 540 MM LG, METAL REIN.	1	
9	138302	HOSE – HYD, 3/4 IN. I.D., 3550 MM LG, METAL REIN.	2	
10	135709	CLAMP – INSULATED 3/4 IN.	2	
12	30753	FASTENER – CABLE TIE, BLACK, 305 MM LG	3	
13	21763	FASTENER – CABLE TIE, BLACK, 160 MM LG	2	
14	136034	FITTING – ELBOW	1	
15	40704	FASTENER – CABLE TIE, ORANGE, 160 MM LG	2	
A	30228	NUT – FLG DT SMOOTH FACE 0.375-16 UNC		
B	19965	BOLT – RHSN 3/8 NC X 1.0 GR 5 ZP		

108.Includes hose (MD #139286), cable tie fastener (MD #30753), and elbow fitting (MD #136034).

65 Hydraulics – Header Drive

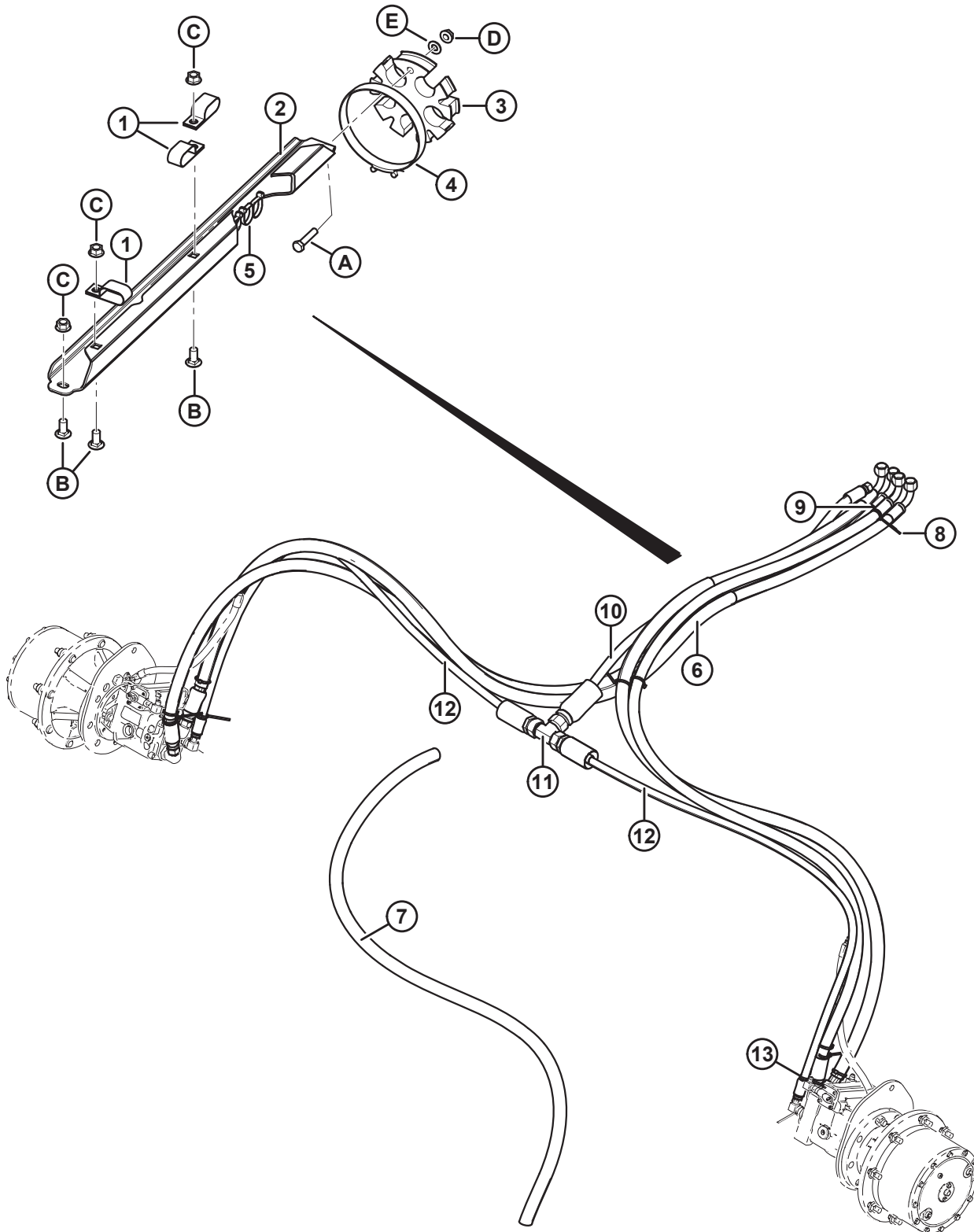


HYDRAULICS – HEADER DRIVE

Ref	Part Number	Description	Qty	Serial Number
1	138762	LINE – HYDRAULIC	1	
2	138764	LINE – HYDRAULIC	1	
3	138127	ASSEMBLY – 1 IN. CODE 62 SPLIT FLG	2	
	112868	O-RING – 1.296 IN. I.D. X 0.139 IN. WALL		
4	194043	FLANGE – HALF SPLIT 1 INCH	2	
5	138766	LINE – HYDRAULIC	1	
6	138130	CLAMP – TUBING	2	
7	138765	BRACKET – LINE CLAMP	1	
8	135236	COUPLING – MALE HYD. 1/2 IN. FLAT FACE BULKHEAD	1	
9	135762	PLUG – HYD SAE -20 ORFS	2	
	135869	O-RING – #20 ORFS		
10	135709	CLAMP – INSULATED 3/4 IN.	1	
11	B5497	KIT – HYDRAULIC COUPLER LOCKS ¹⁰⁹		
12	138272	COUPLER – HYDRAULIC	1	
13	138273	COUPLER – HYDRAULIC	1	
14	139649	RETAINER – LOCK	2	
15	139648	HOLDER – COUPLER	2	
16	135709	CLAMP – INSULATED 3/4 IN.	2	
17	135192	PIN – LYNCH 5/16	1	
18	139302	WRENCH – COUPLER	1	
19	139521	PLUG – DUST (NOT ILLUSTRATED)	1	
20	139522	CAP – DUST (NOT ILLUSTRATED)	1	
21	166844	KIT – M205 DRAPER DRIVE FITTINGS		
22	252232	FITTING – UNION SAE-20 X 16 ORFS	2	
A	21493	BOLT – RHSN 5/16 NC X 3.0 LG GR 5 ZP		
B	30280	NUT – FLG SIDE LK SMTH FACE 5/16 NC GR 5 ZP		
C	19965	BOLT – RHSN 3/8 NC X 1.0 GR 5 ZP		
D	30228	NUT – FLG DT SMOOTH FACE 0.375-16 UNC		
E	21564	BOLT – HH 7/16 NC		
F	18652	WASHER – REG		
G	21282	BOLT – RHSN 5/16 NC X 1.0 GR 5 ZP		

109. Includes hardware nut (MD #30280) and bolt (MD #21282). Kits available through Whole Goods only.

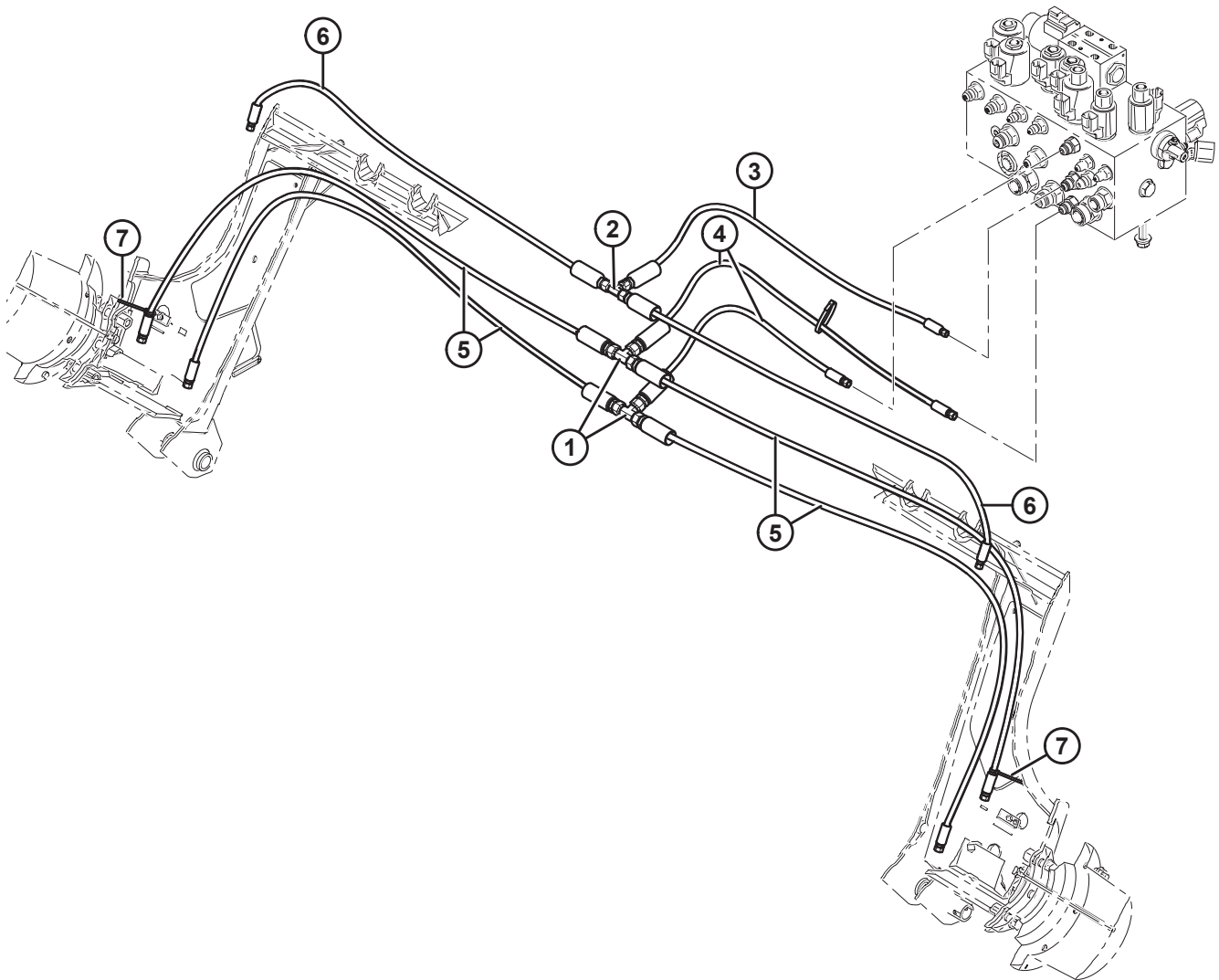
66 Hydraulics – Traction Drive



HYDRAULICS – TRACTION DRIVE

Ref	Part Number	Description	Qty	Serial Number
1	135235	CLAMP – DOUBLE HOSE INSULATED	3	
2	111566	SUPPORT – HYDRAULIC LINES	1	
3	111564	HOLDER – HOSE, 4 CYLINDER	1	
4	112230	CLAMP – HOSE	1	
5	21763	FASTENER – CABLE TIE, BLACK, 160 MM LG	13	
6	183172	HOSE – TRACTION, 3/4 IN. I.D., 3100 MM LG, METAL REIN.	4	216500–
	183184	KIT – TRACTION HOSE		–216499
7	112939	SLEEVE	4	
8	40701	FASTENER – CABLE TIE (YELLOW)	2	
9	40702	FASTENER – CABLE TIE (RED)	2	
10	111426	HOSE – HYD, 5/8 IN. I.D., 1375 MM LG, METAL REIN.	1	
11	30551	FITTING – TEE HYD	1	
12	111312	HOSE – HYD, 1/2 IN. I.D., 2000 MM LG, METAL REIN.	2	
13	49227	FASTENER – CABLE TIE (GREEN)	2	
A	21268	BOLT – HH 5/16 NC X 1.5 LG GR 5 ZP		
B	21863	BOLT – RHSSN 3/8 NC X 0.75 LG GR 5 ZP		
C	30228	NUT – FLG DT SMOOTH FACE 0.375-16 UNC		
D	30280	NUT – FLG SIDE LK SMTH FACE 5/16 NC GR 5 ZP		
E	18597	WASHER – SAE FLAT 11/32 I.D. X 11/16 IN. O.D. ZP		

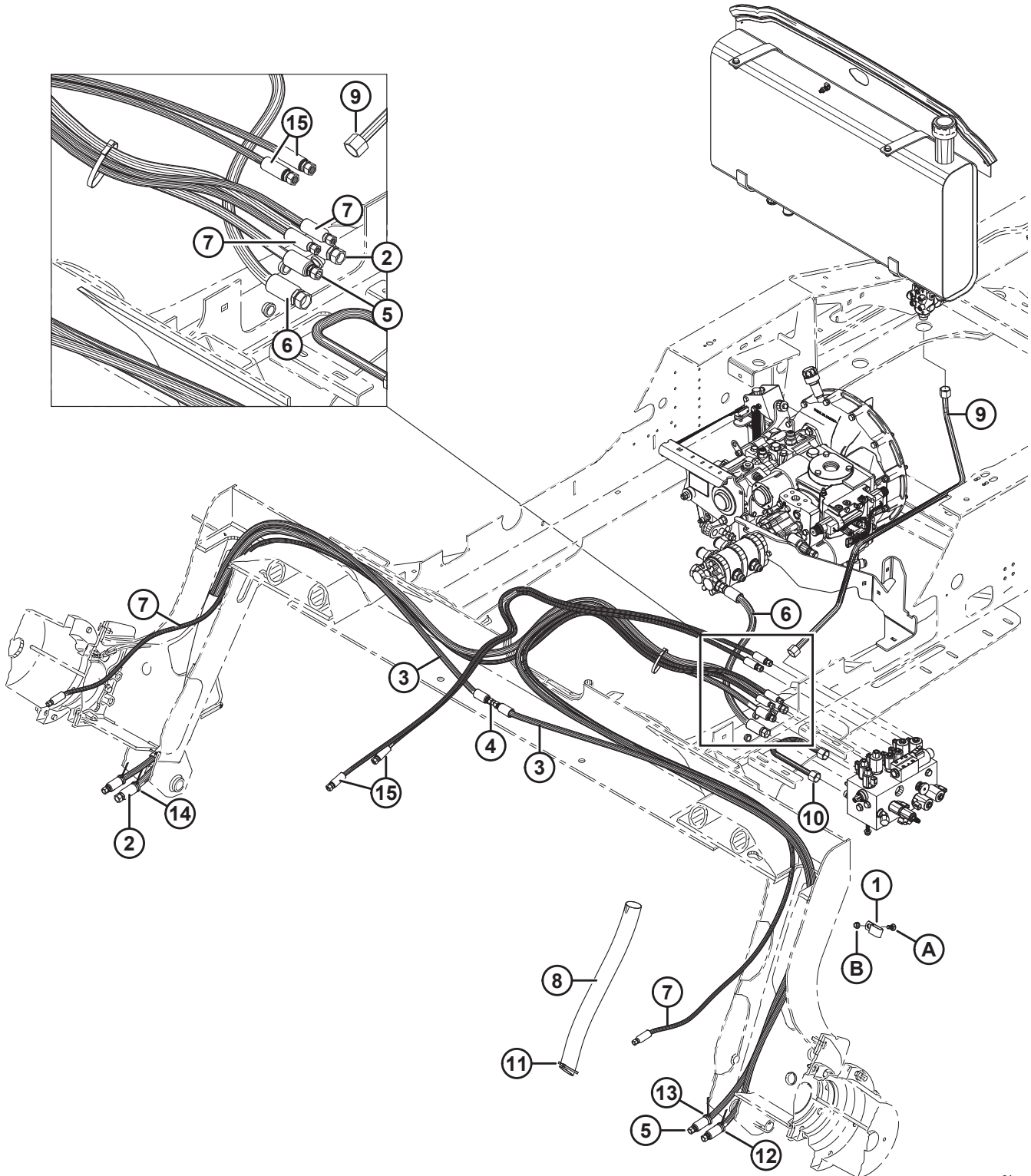
67 Hydraulics – Brake Shift



HYDRAULICS – BRAKE SHIFT

Ref	Part Number	Description	Qty	Serial Number
1	7603	FITTING – TEE HYDRAULIC, #6	2	
2	18881	FITTING – TEE HYDRAULIC, #4	1	
3	111327	HOSE – HYD, 1/4 IN. I.D., 1390 MM LG, METAL REIN.	1	
4	111324	HOSE – HYD, 1/4 IN. I.D., 1230 MM LG, METAL REIN.	2	
5	172986	HOSE – HYD, 1/4 IN. I.D., 1913 MM LG, METAL REIN.	4	
6	111326	HOSE – HYD, 1/4 IN. I.D., 1700 MM LG, METAL REIN.	2	
7	135266	FASTENER – CABLE TIE (LIGHT BLUE)	4	

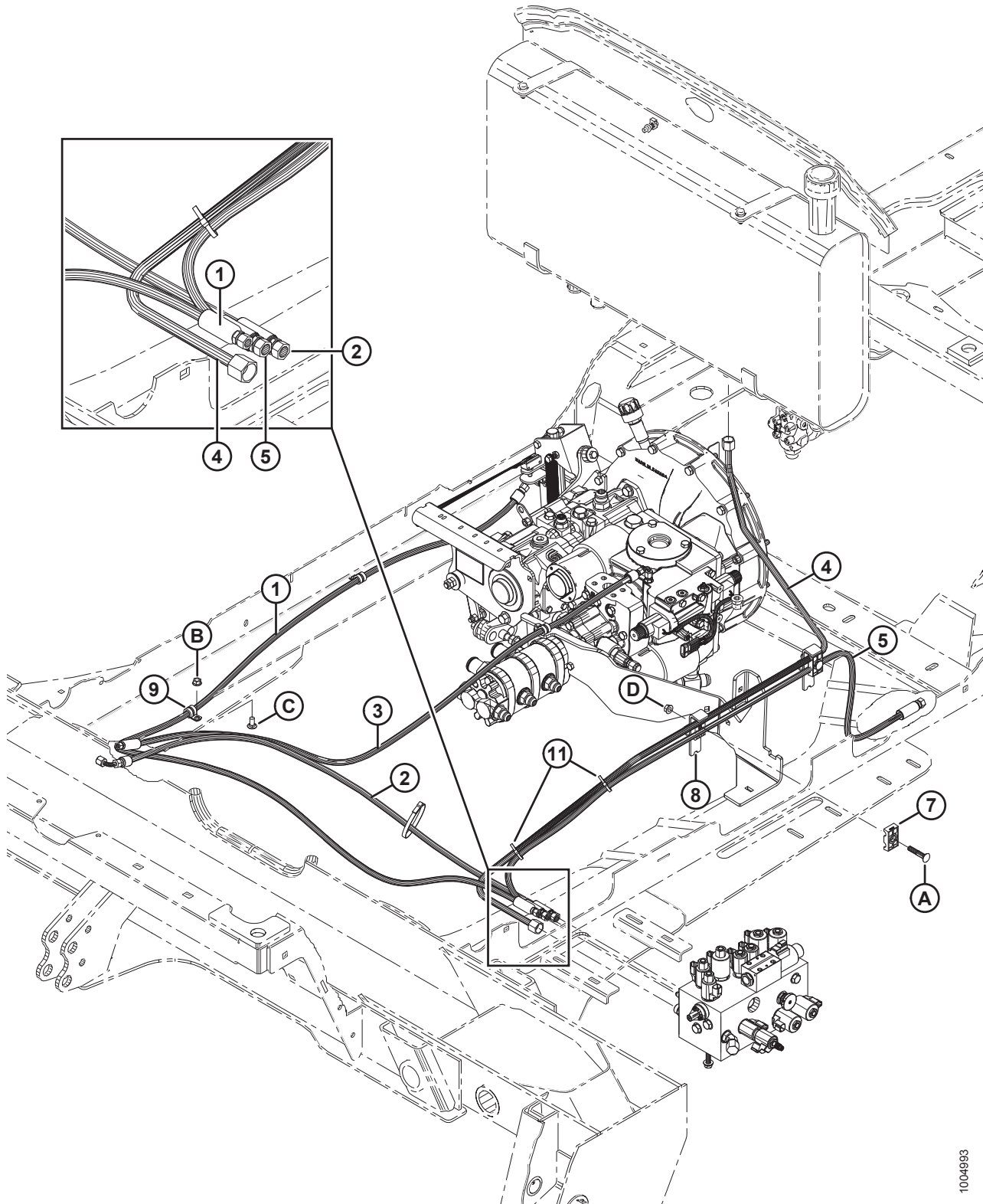
68 Hydraulics – Lift



HYDRAULICS – LIFT

Ref	Part Number	Description	Qty	Serial Number
1	103738	CLAMP – PVC INSULATED 13/16 IN. TUBE SIZE	2	
2	111328	HOSE – HYD LIFT, 1/2 IN. I.D., 3300 MM LG, METAL REIN.	1	
3	111556	HOSE – SLAVE LIFT CYL BASE TO CTR JOINER, 3/8 IN. I.D., 2150 MM LG, METAL REIN.	2	
4	30375	FITTING – UNION HYD	1	
5	111557	HOSE – HYD LIFT RETURN, 3/8 IN. I.D., 3300 MM LG, METAL REIN.	1	
6	138787	HOSE – HYD, 1/2 IN. I.D., 675 MM LG, METAL REIN.	1	
7	111323	HOSE – HYD, 1/4 IN. I.D., 3420 MM LG, METAL REIN.	2	
8	112940	SLEEVE	2	
9	138973	LINE – HYDRAULIC, 5/8 IN. DIA.	1	
10	138786	LINE – HYDRAULIC, 5/8 IN. DIA.	1	
11	21763	FASTENER – CABLE TIE, BLACK, 160 MM LG	2	
12	40702	FASTENER – CABLE TIE (RED)	2	
13	40701	FASTENER – CABLE TIE (YELLOW)	1	
14	49232	FASTENER – CABLE TIE (WHITE)	1	
15	172986	HOSE – HYD, 1/4 IN. I.D., 1913 MM LG, METAL REIN.	2	
A	19965	BOLT – RHSN 3/8 NC X 1.0 GR 5 ZP		
B	30228	NUT – FLG DT SMTH FACE 0.375-16 UNC		

69 Hydraulics – Interlock Servo

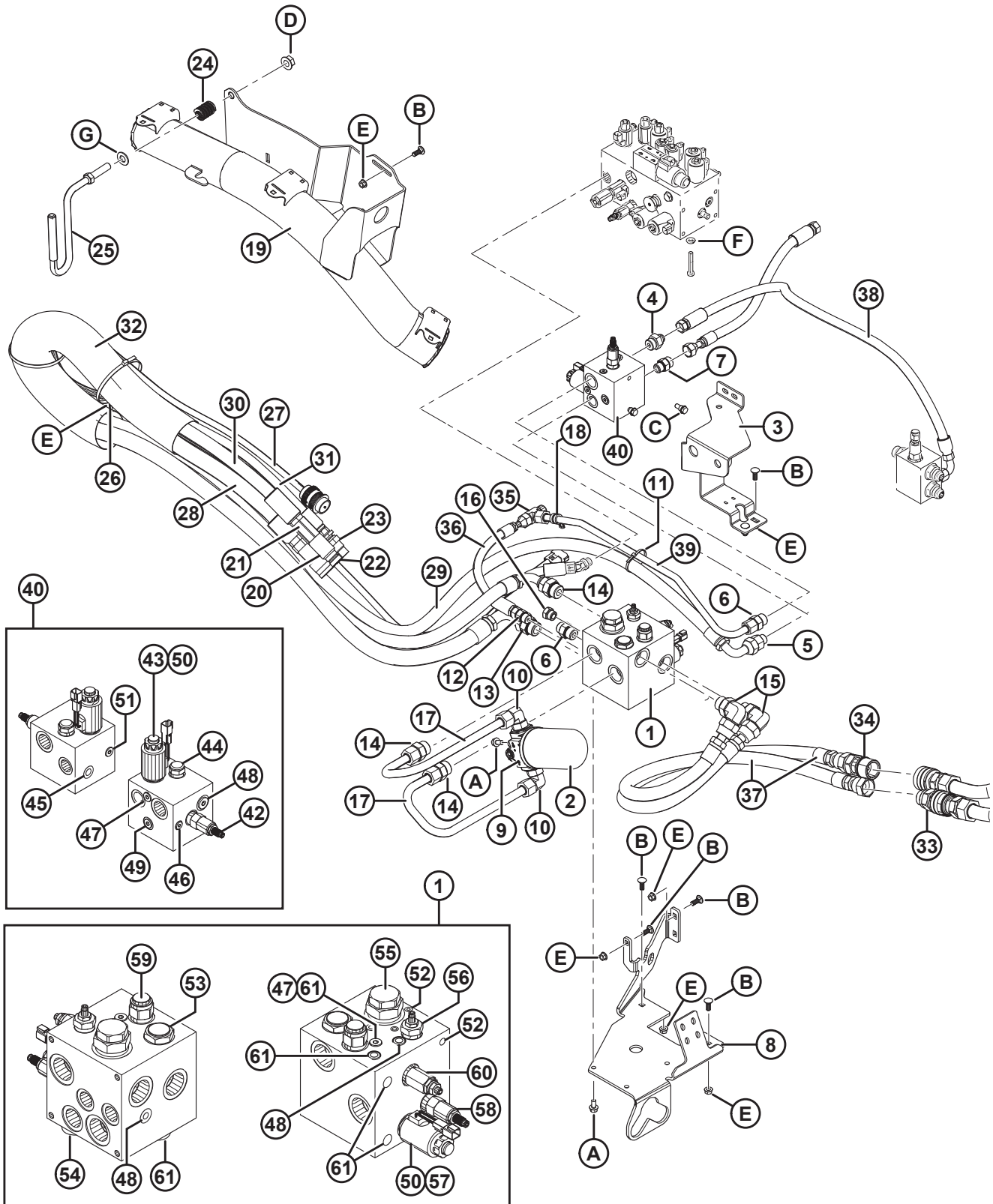


1004983

HYDRAULICS – INTERLOCK SERVO

Ref	Part Number	Description	Qty	Serial Number
1	111700	HOSE – HYD, 1/4 IN. I.D., 2600 MM LG, METAL REIN.	1	
2	110982	HOSE – HYD, 1/4 IN. I.D., 1380 MM LG, METAL REIN.	1	
3	138814	HOSE – HYD, 1/4 IN. I.D., 1550 MM LG, METAL REIN.	1	
4	138815	LINE – HYDRAULIC, 1/2 IN. DIA.	1	
5	133043	HOSE – HYD, 1/4 IN. I.D., 1730 MM LG, METAL REIN.	1	
7	135817	CLAMP – TUBING	4	
8	138896	BRACKET – CLAMP	2	
9	135818	CLAMP – INSULATED 1/2 IN.	2	
10	135716	CLAMP – INSULATED 5/8 IN.	2	
11	21763	FASTENER – CABLE TIE, BLACK, 160 MM LG	2	
A	21480	BOLT – RHSN 5/16 NC X 2.0 LG GR 5 ZP		
B	30228	NUT – FLG DT SMOOTH FACE 0.375-16 UNC		
C	21863	BOLT – RHSSN 3/8 NC X 0.75 LG GR 5 ZP		
D	30280	NUT – FLG DT SMOOTH FACE, SIDE LOCK 5/16 NC		

70 Hydraulics – Draper/Auger Header Drive



HYDRAULICS – DRAPER/AUGER HEADER DRIVE

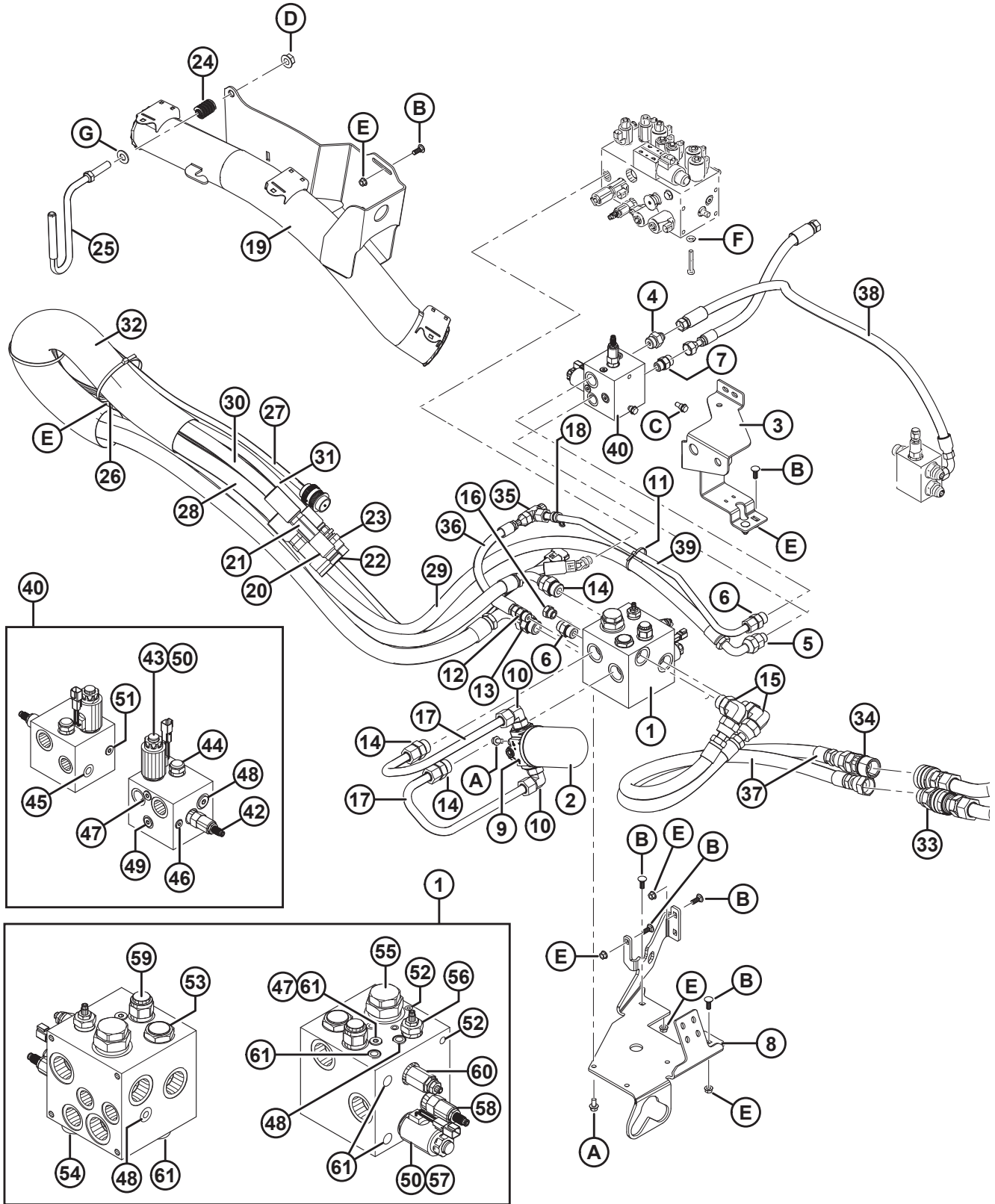
Ref	Part Number	Description	Qty	Serial Number
	B5491	KIT – DRAPER/AUGER HEADER DRIVE ¹¹⁰		
1	139803	MANIFOLD – DRAPER AUGER HEADER	1	
	49846	SEAL KIT		
2	112419	FILTER ELEMENT	1	
3	183495	SUPPORT – MANIFOLD	1	266820–
	166501	SUPPORT – MANIFOLD ¹¹¹	1	–266819
4	135364	FITTING – ADAPTER HYD	1	
5	135787	FITTING – ADAPTER	1	
	44210	O-RING – OUTER, #10 ORB		
	135868	O-RING – INNER, #12 ORFS		
6	135786	FITTING – ADAPTER	2	
	30971	O-RING – OUTER, #12 ORB		
	135867	O-RING – INNER, #10 ORFS		
7	184461	FITTING – ADAPTER 10 MORFS X 10 MORB	1	
8	138359	SUPPORT – MANIFOLD	1	
9	138920	FILTER HEAD WITH ELEMENT ¹¹²	1	
10	135821	FITTING – ELBOW 90° HYD	2	
	30971	O-RING – OUTER, #12 ORB		
	135868	O-RING – INNER, #12 ORFS		
11	21763	FASTENER – CABLE TIE, BLACK, 160 MM LG	2	
12	167344	VALVE	1	
13	135791	FITTING – ADAPTER	1	
	50220	O-RING – OUTER, #20 ORB		
	135554	O-RING – INNER, #16 ORFS		
14	135789	FITTING – ADAPTER	3	
	50220	O-RING – OUTER, #20 ORB		
	135868	O-RING – INNER, #20 ORFS		
15	135734	FITTING – ELBOW 90° HYD	2	
	50220	O-RING – OUTER, #20 ORB		
	135554	O-RING – INNER, #16 ORFS		

110.Kits available through Whole Goods only.

111.Used to service units made prior to 2015 production year.

112.Includes filter element MD #112419.

HYDRAULICS – DRAPER/AUGER HEADER DRIVE

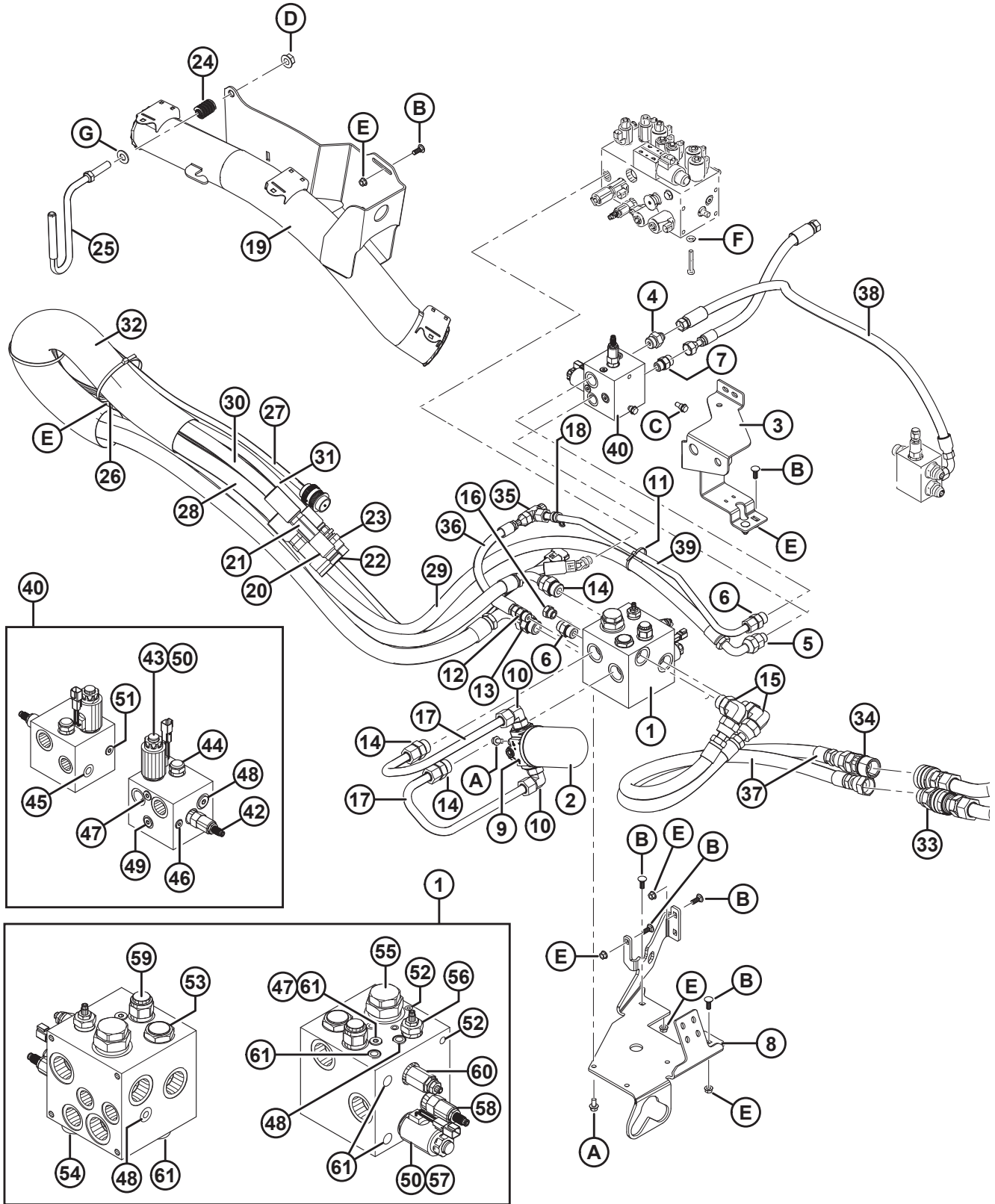


1005498

HYDRAULICS – DRAPER/AUGER HEADER DRIVE

Ref	Part Number	Description	Qty	Serial Number
16	135246	PLUG – HEX C/W O-RING	1	
17	138608	LINE – HYDRAULIC	2	
18	135716	CLAMP – INSULATED 5/8 IN.	1	
19	163125	SUPPORT – HOSES, LH WELDT	1	
20	135313	COUPLER – FEMALE HYD. 3/4 IN. FLAT FACE	1	
21	135314	COUPLER – MALE HYD. 3/4 IN. FLAT FACE	1	
	135479	SEAL KIT		
22	135361	COUPLER – MALE HYD. 1/2 IN. FLAT FACE	1	
23	135237	COUPLER – MALE HYD. 3/8 IN. FLAT FACE BULKHEAD	1	
24	28700	SPRING – COMPRESSION	1	
25	163254	HANDLE – HOSE SUPPORT	1	
26	135235	CLAMP – DOUBLE HOSE INSULATED	1	
27	183445	HARNESS – HEADER CONNECTION, DRAPER	1	
28	183187	HOSE – HYD, 1 IN. I.D., 2520 MM LG, METAL REIN.	1	
29	183188	HOSE – HYD, 3/4 IN. I.D., 3130 MM LG, METAL REIN.	1	
30	183189	HOSE – HYD, 3/4 IN. I.D., 2575 MM LG, METAL REIN.	1	
31	183190	HOSE – HYD, 1/2 IN. I.D., 2900 MM LG, METAL REIN.	1	
32	110547	SLEEVE – HOSE	1	
33	138344	COUPLER – HYDRAULIC	1	
	135554	O-RING – #16 ORFS		
34	138345	COUPLER – HYDRAULIC	1	
	139667	SEAL KIT		
	135554	O-RING – #16 ORFS		
36	138928	HOSE – HYD, 1/2 IN. I.D., 390 MM LG, METAL REIN.	1	
37	138929	HOSE – HYD, 3/4 IN. I.D., 1160 MM LG, METAL REIN.	2	
38	138932	HOSE – HYD, 1/2 IN. I.D., 480 MM LG, METAL REIN.	1	
39	138947	LINE – HYDRAULIC, 5/8 IN. DIA.	1	
40	139508	MANIFOLD – DWA DRIVE	1	
	49846	SEAL KIT		
42	139542	VALVE – RELIEF	1	
43	163166	CONTROL – PROPORTIONAL FLOW	1	
44	162283	VALVE – DIFF PRESS SENSING	1	
	162284	SEAL KIT – #10, 3 WAY-SHORT	1	
45	167763	FITTING – ZINC NICKEL SAE-08	2	

HYDRAULICS – DRAPER/AUGER HEADER DRIVE

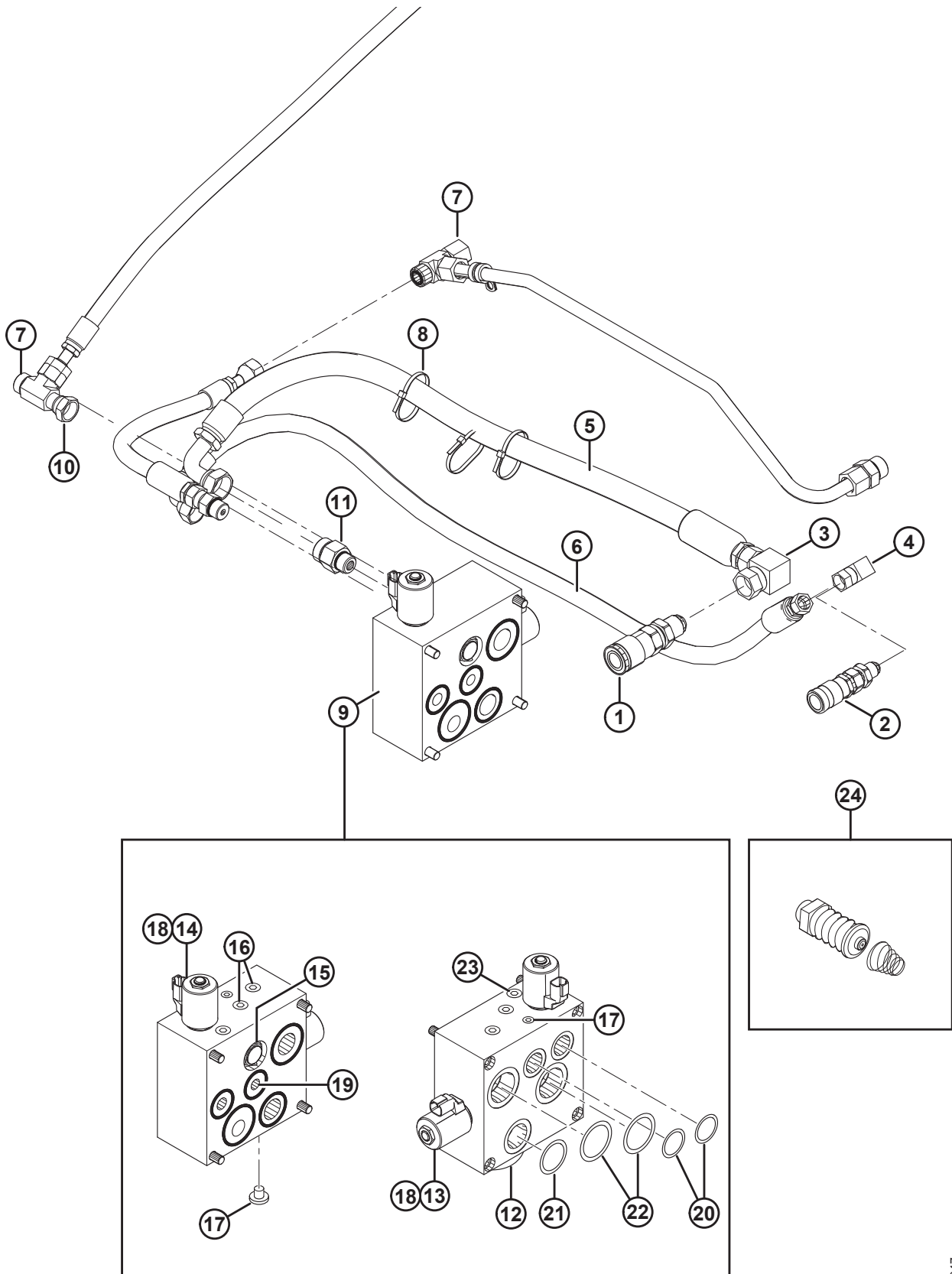


1005498

HYDRAULICS – DRAPER/AUGER HEADER DRIVE

Ref	Part Number	Description	Qty	Serial Number
46	163167	KIT – SENSE CHECK	1	
47	163168	PLUG – ORIFICE	1	
48	158174	PLUG – HEX SOCKET C/W O-RING	1	
49	163149	FITTING – ZERO LEAK GOLD	1	
50	163173	COIL – ASSEMBLY	1	
	163178	SEAL KIT		
51	162287	PLUG – ORIFICE	1	
52	135952	PLUG – HEX SOCKET C/W O-RING	6	
53	139544	CHECK VALVE	1	
	139552	SEAL KIT		
54	139545	CHECK VALVE	1	
	49846	SEAL KIT		
55	139546	CHECK VALVE	1	
	139553	SEAL KIT		
56	139547	CHECK VALVE	1	
	139554	SEAL KIT		
57	139548	CHECK VALVE	1	
	163178	SEAL KIT		
58	139549	CHECK VALVE	1	
	163160	SEAL KIT		
59	139550	CHECK VALVE	1	
	139555	SEAL KIT		
60	139792	VALVE – RELIEF	1	
	139556	SEAL KIT		
61	100577	PLUG	7	
62	138778	HOSE – HYD, 1/2 IN. I.D., 1120 MM LG, METAL REIN.	1	
A	21821	BOLT – HH FLG (SER FACE) 3/8 NC X 0.75 GR 5 ZP		
B	21066	BOLT – RHSN 1/2-13 X 1 GR 5 ZP		266820–
	19965	BOLT – RHSN 3/8 NC X 1.0 GR 5 ZP		–266819
C	172259	BOLT – SHOULDER .375-16 UNC X 0.75 LG		
D	50225	NUT – FLG DT SMOOTH FACE .625-11 UNC		
E	50186	NUT – FLG LOCK SM FACE DT 0.500-13 UNC GR 5		266820–
	30228	NUT – FLG DT SMOOTH FACE 0.375-16 UNC		–266819
F	18637	WASHER – REG. LOCK 3/8 IN. NOM. I.D ZP		
G	18600	WASHER – FLAT		

71 Draper Conditioner/Auger Header Reverser

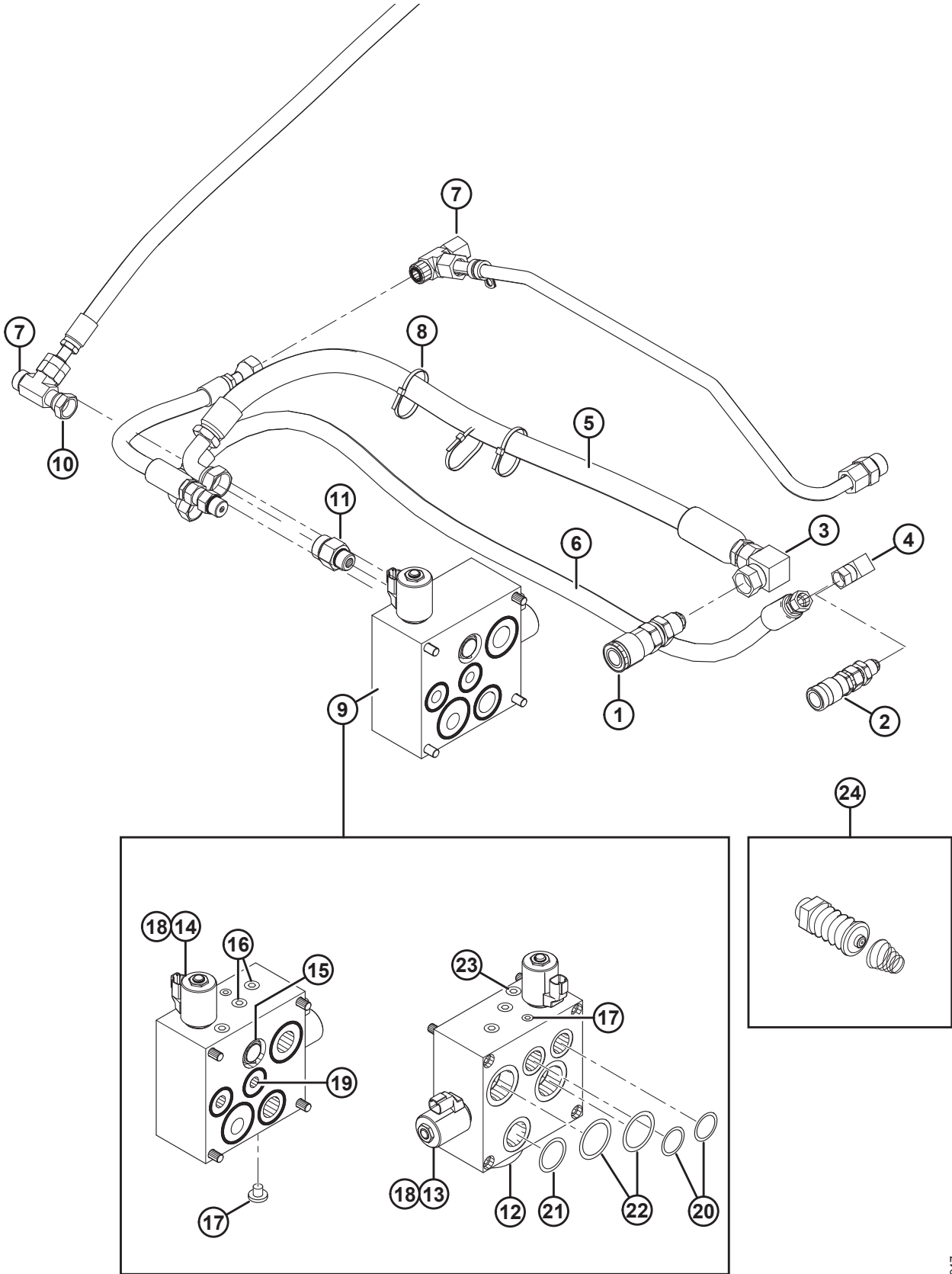


DRAPER CONDITIONER/AUGER HEADER REVERSER

Ref	Part Number	Description	Qty	Serial Number
	B5492	KIT – DRAPER CONDITIONER/AUGER HEADER REVERSER 113		
1	135206	COUPLING – FEMALE HYD. 1/2 IN. FLAT FACE BULKHEAD	1	
2	135213	COUPLING – FEMALE HYD. 3/8 FLAT FACE BULKHEAD	1	
3	50175	FITTING – ELBOW 90° HYD	1	
4	30314	FITTING – ELBOW 90° HYD	1	
5	138936	HOSE – HYD, 3/4 IN. I.D., 900 MM LG, METAL REIN.	1	
6	138937	HOSE – HYD, 1/2 IN. I.D., 1050 MM LG, METAL REIN.	1	
7	135860	CAP – HYD SAE #10 ORFS	2	
8	21763	FASTENER – CABLE TIE, BLACK, 160 MM LG	4	
9	139501	MANIFOLD – CONDITIONER REVERSER	1	
10	135784	FITTING – TEE HYD	1	
	135867	O-RING – #10 ORFS		
11	135787	FITTING – ADAPTER	1	
	44210	O-RING – OUTER, #10 ORB		
	135868	O-RING – INNER, #12 ORFS		
12	139544	CHECK VALVE	1	
	139552	SEAL KIT		
13	163180	SOLENOID VALVE	1	
	163160	SEAL KIT		
	163191	NUT – COIL		
14	139557	SOLENOID VALVE	1	
	49846	SEAL KIT		
	163191	NUT – COIL		
15	139545	CHECK VALVE	1	
	49846	SEAL KIT		
16	162204	PLUG – HEX SOCKET C/W O-RING, 5/16 TUBE	2	
17	135952	PLUG – HEX SOCKET C/W O-RING, 1/8 TUBE	2	
18	163154	TOUGH COIL	2	
19	139558	PLUG – ORIFICE	2	
	135953	BOLT – SKT HD.375-16 UNC X 3.00 BLK	4	

113.Kits available through whole goods only.

DRAPER CONDITIONER/AUGER HEADER REVERSER

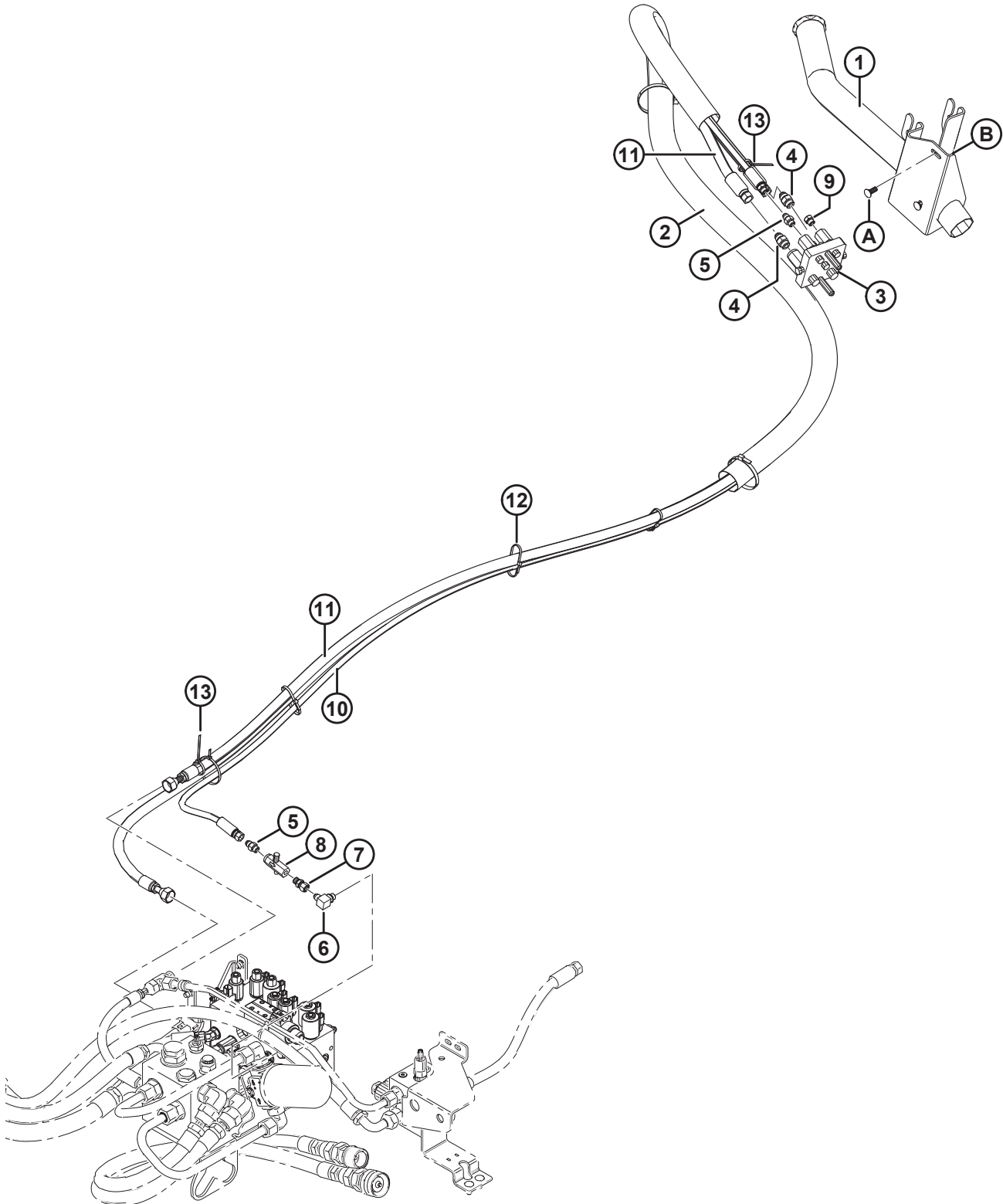


1004947

DRAPER CONDITIONER/AUGER HEADER REVERSER

Ref	Part Number	Description	Qty	Serial Number
20	138505	O-RING – 29.8 MM I.D.	2	
21	50157	O-RING – 36 MM I.D.	1	
22	138506	O-RING – 44 MM I.D.	2	
23	100577	PLUG – HEX SOCKET C/W O-RING, 3/8 TUBE (NOT ILLUSTRATED)	1	
24	139830	VALVE – POWER LIMITER	1	

72 Draper Header Reel Hydraulics – Couplers

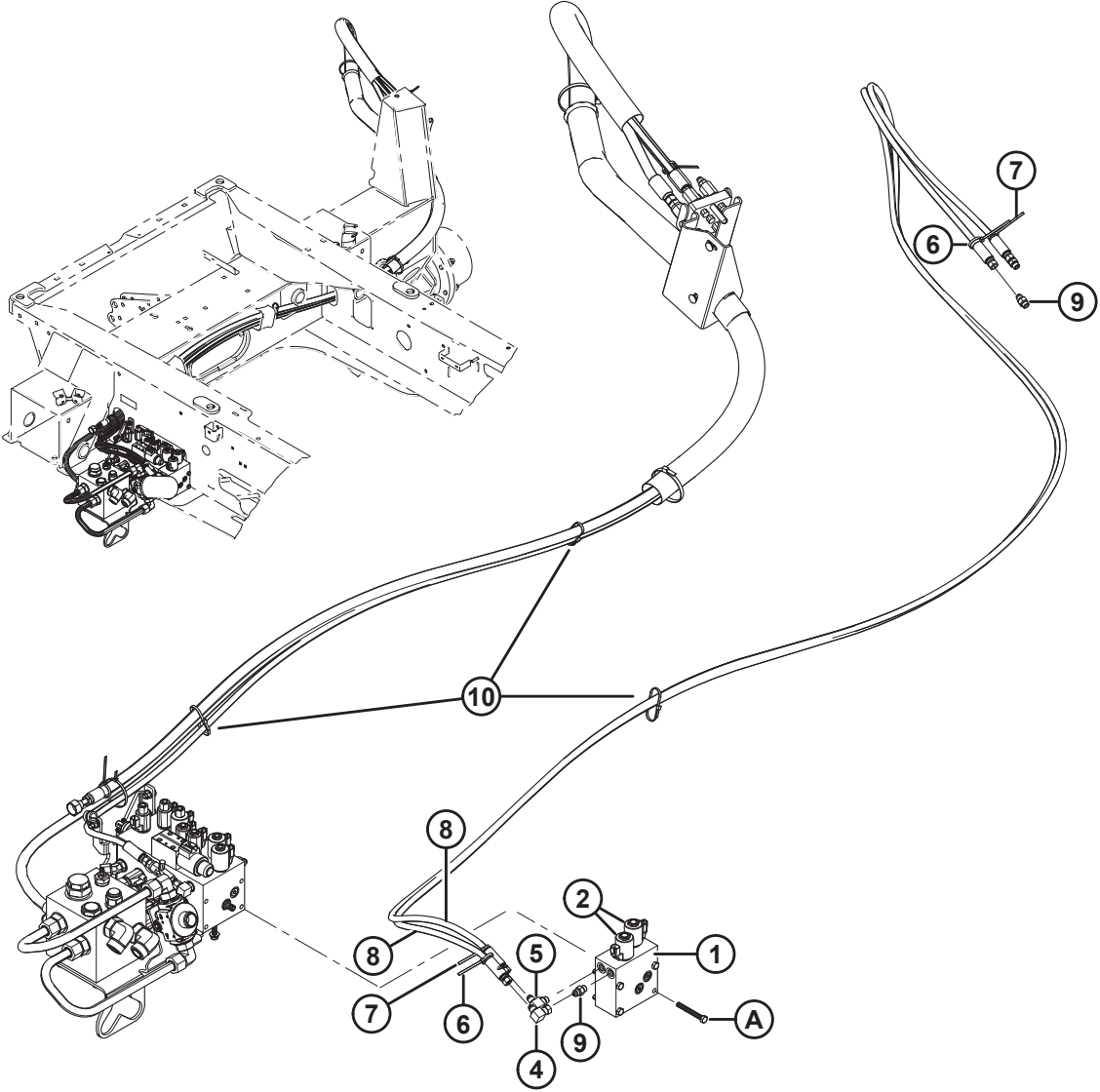


DRAPER HEADER REEL HYDRAULICS – COUPLERS

Ref	Part Number	Description	Qty	Serial Number
	B5496	KIT – DRAPER HEADER REEL HYDRAULICS, COUPLERS ¹¹⁴		
1	163120	SUPPORT – RH HOSES, WELD'T	1	
2	110546	SLEEVE – HOSE	1	
3	135238	COUPLING – MULTI LINK	1	
	111981	SEAL KIT – 1/4 IN. COUPLER		
	111982	SEAL KIT – 3/8 IN. COUPLER		
	111983	KIT – SCREW		
	111984	KIT – DOWEL		
	111985	COUPLER – 3/8 IN.		
	111986	COUPLER – 1/4 IN.		
	294350	COUPLER – 3/8 IN.		
4	21030	FITTING – CONNECTOR HYD	2	
5	15903	FITTING – CONNECTOR HYD	2	
6	30282	FITTING – ELBOW 90° HYD	1	
7	135015	FITTING – ADAPTER HYD	1	
8	183211	VALVE	1	
9	30994	PLUG – HEX C/W O-RING	2	
10	110544	HOSE – HYD, 1/4 IN. I.D., 4335 MM LG, METAL REIN.	1	
11	138917	HOSE – HYD, 1/2 IN. I.D., 4250 MM LG, METAL REIN.	2	
12	21763	FASTENER – CABLE TIE, BLACK, 160 MM LG	4	
13	40701	FASTENER – CABLE TIE (YELLOW)	2	
A	19965	BOLT – RHSN 3/8 NC X 1.0 GR 5 ZP		
B	30228	NUT – FLG DT SMOOTH FACE 0.375-16 UNC		

114.Kits available through Whole Goods only.

73 Draper Header Reel Hydraulics – Fore-Aft

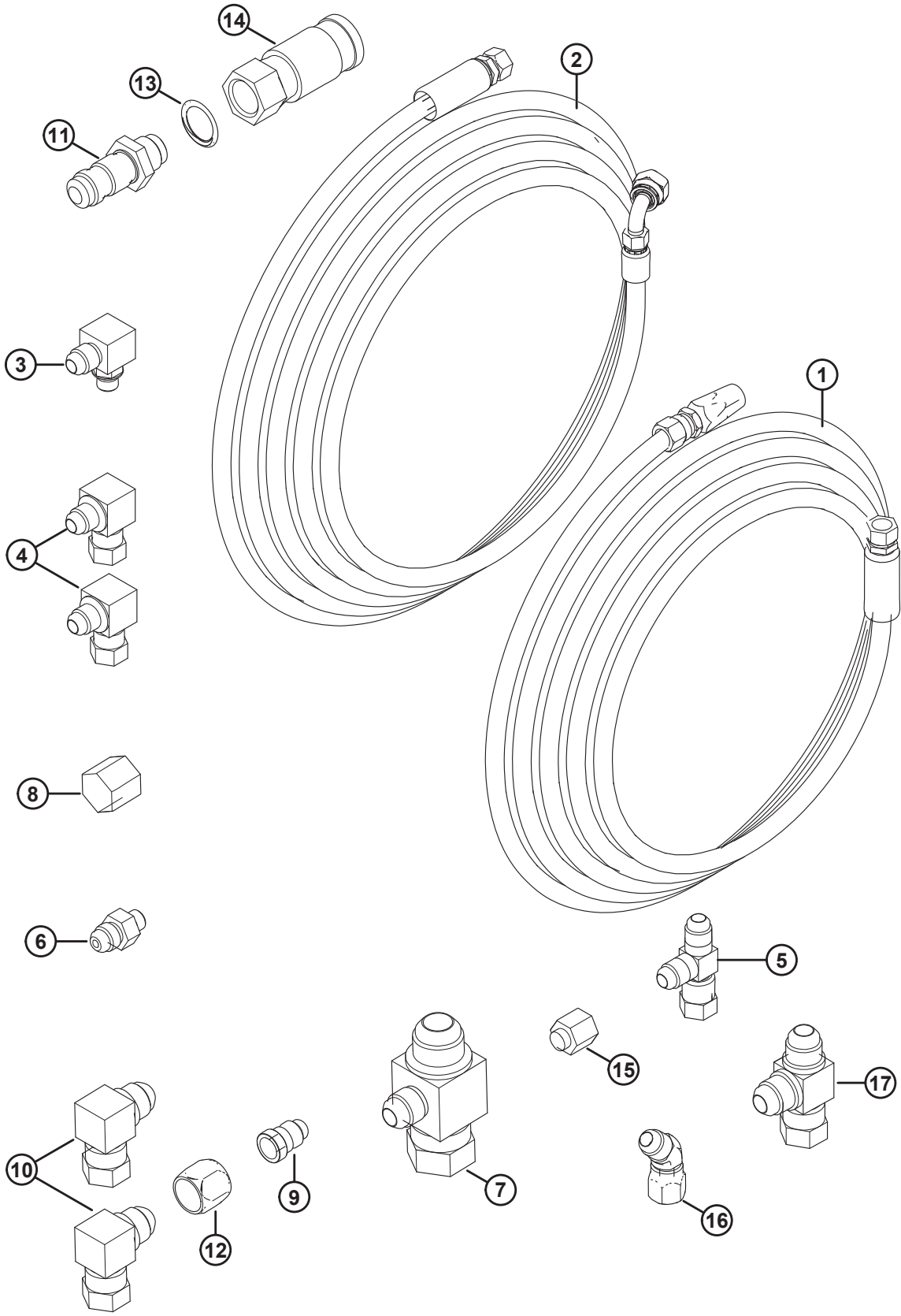


DRAPER HEADER REEL HYDRAULICS – FORE-AFT

Ref	Part Number	Description	Qty	Serial Number
1	139974	ASSY – AUX LIFT VALVE BLOCK (REEL FORE-AFT DWA) ¹¹⁵	1	
	167762	FITTING – ZINC NICKEL SAE-06	1	
	163184	O-RING – .813 IN. I.D., 1 IN. O.D.	2	
2	163143	VALVE – SOLENOID	2	
	163191	NUT – SPECIAL	2	
	163160	SEAL KIT	2	
	163154	COIL – TOUGH	2	
4	106717	FITTING – ELBOW 90° HYD	1	
5	30282	FITTING – ELBOW 90° HYD	1	
6	40702	FASTENER – CABLE TIE (RED)	2	
7	49227	FASTENER – CABLE TIE (GREEN)	2	
8	110544	HOSE – HYD, 1/4 IN. I.D., 4335 MM LG, METAL REIN.	2	
9	15903	FITTING – CONNECTOR HYD	3	
10	21763	FASTENER – CABLE TIE, BLACK, 160 MM LG	6	
A	21568	BOLT – HH 3/8 NC X 3.0 LG GR 5 ZP		

115. See Service Bulletin SB1210 regarding software update required.

74 Draper Header Case Drain Kit



DRAPER HEADER CASE DRAIN KIT

Ref	Part Number	Description	Qty	Serial Number
1	174708	HOSE – HYD, 1/4 IN. I.D., 5054 MM LG, METAL REIN.	1	
2	220841	HOSE – HYD, 1/4 IN. I.D., 4850 MM LG, METAL REIN.	1	
3	50104	FITTING – ELBOW 90° HYD ¹¹⁶	1	
4	106717	FITTING – ELBOW 90° HYD ¹¹⁷	1	
5	30873	FITTING – HYD TEE ¹¹⁸	1	
6	100790	FITTING – ADAPTER HYD ¹¹⁹	1	
7	159038	VALVE – CHECK ¹²⁰	1	
8	108233	CAP – 1/2 IN. TUBE ¹²¹	1	
9	30981	FITTING – ADAPTER HYD REDUCER 1/2 X 3/8	1	
10	30314	FITTING – ELBOW 90° HYD ¹²²	1	
11	30819	FITTING – 1/2 IN. HYD UNION	1	
12	21069	NUT – TUBE 37° JIC 1/2 IN.	1	
13	44209	O-RING – #8 ORB	1	
14	135312	COUPLER – FEMALE HYD. 3/8 IN. FLAT FACE	1	
15	30813	CAP – 3/8 IN. TUBE 37° FLARE	1	
16	30875	FITTING – 45° ELBOW HYD	1	
17	108268	FITTING – HYD TEE	1	

NOTE:

Refer to instruction MD #169506 for kit installation.

116.Used at draper motor.

117.Connects to tee fitting MD #30873. Quantities vary depending on type of draper header installed.
Refer to instruction MD #169506 for quantities.

118.Used at case drain hose connection. Quantities vary depending on type of draper header installed.
Refer to instruction MD #169506 for quantities.

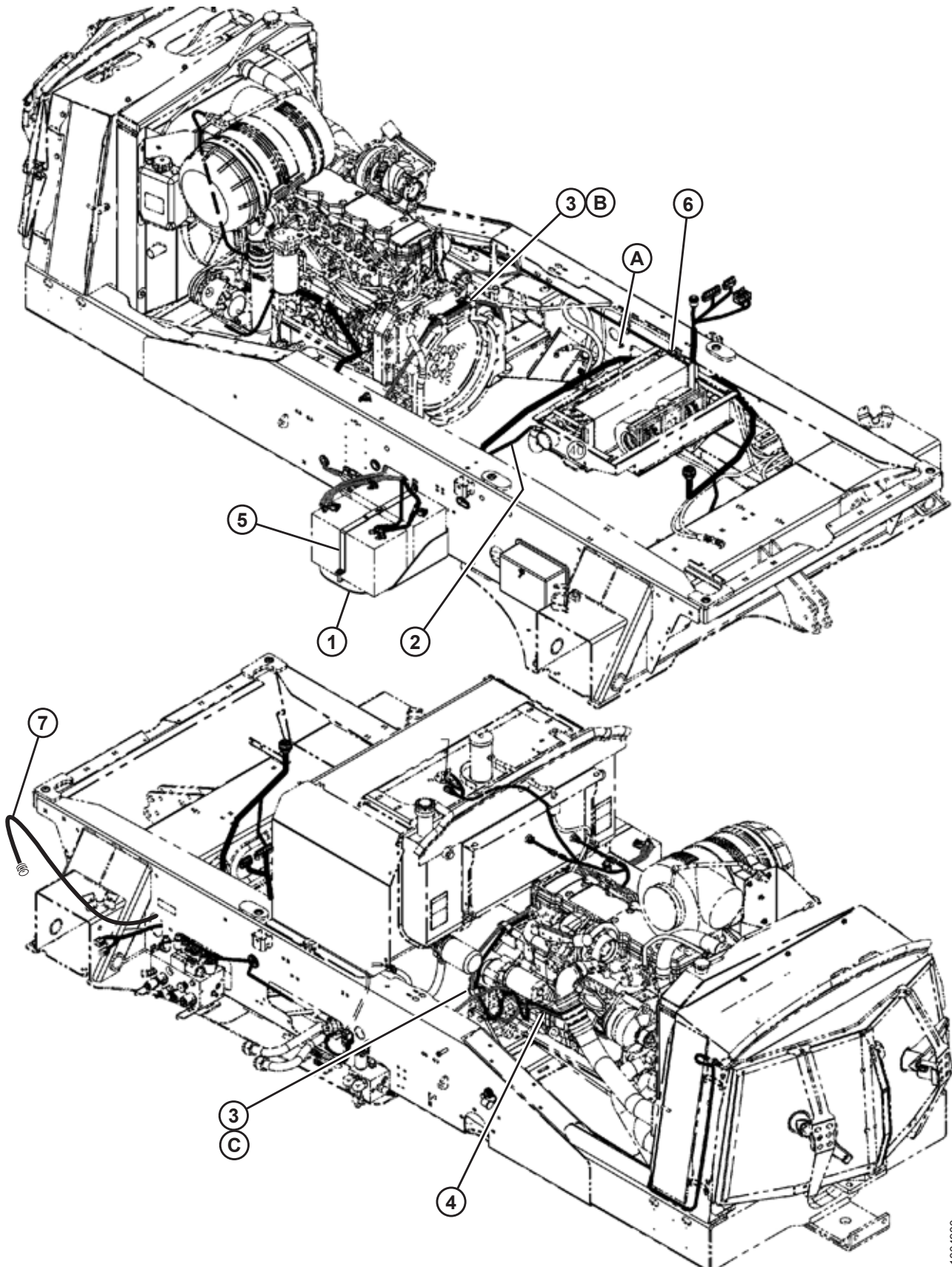
119.Used at draper motor if Double Draper kit is also installed.

120.Used at draper return hose.

121.Used at open port of check valve MD #159038.

122.Quantity is two if Double Draper Drive is installed.

75 Electrical – Chassis



ELECTRICAL – CHASSIS

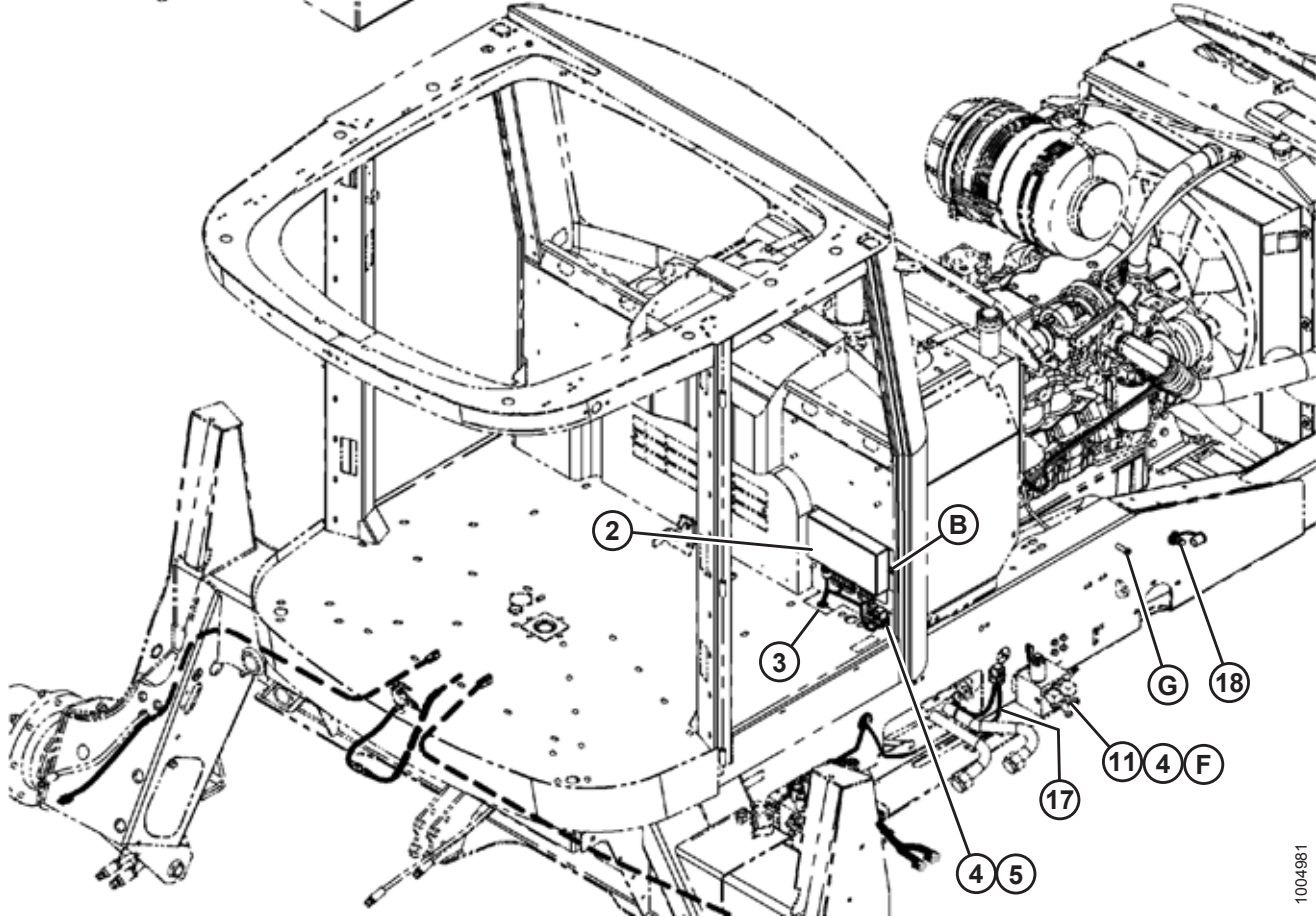
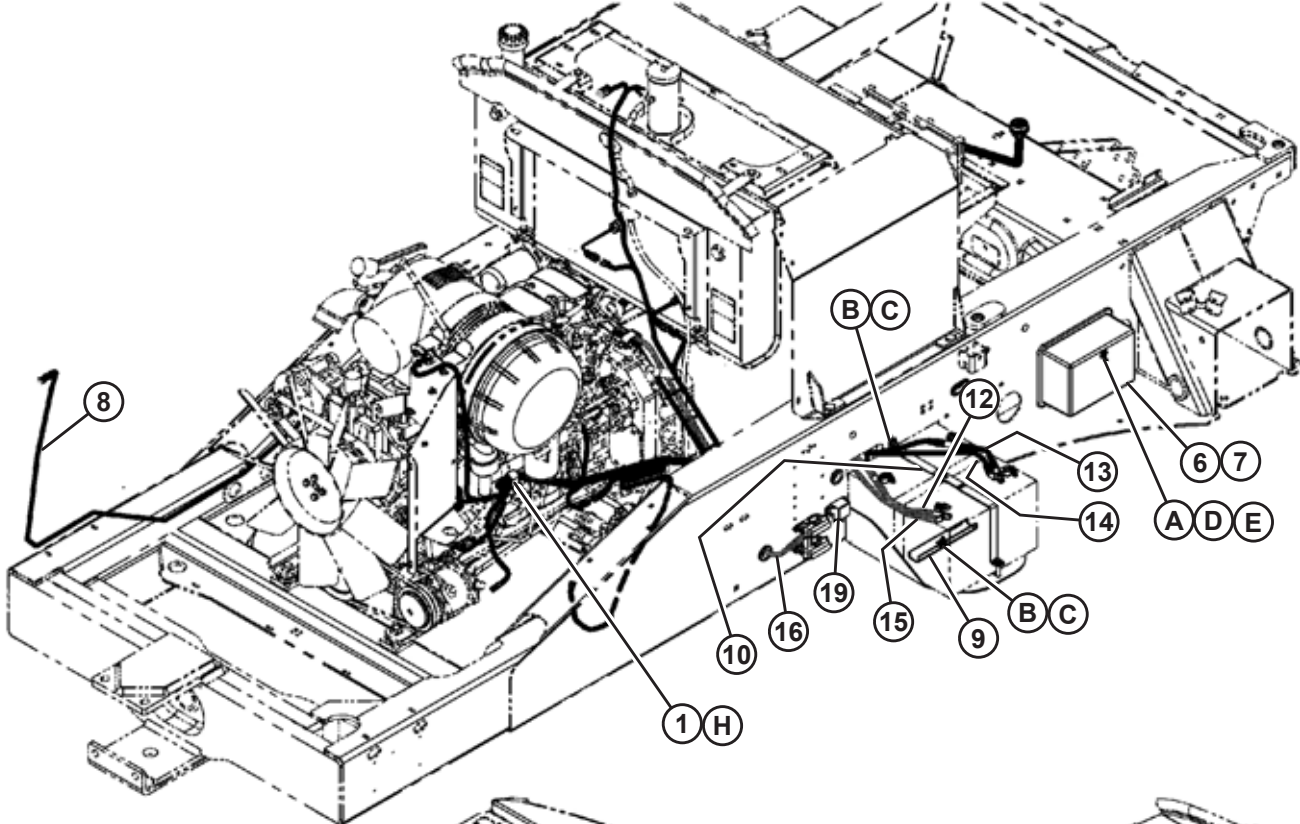
Ref	Part Number	Description	Qty	Serial Number
1	110400	SUPPORT – DUAL BATTERY	1	
2	111591	CABLE – GROUND CAB	1	
3	50022	CLAMP – INSULATED 15/16 INCH	10	
4	139063	HARNESS – STARTER TO ALTERNATOR	1	
5	166985	BRACKET – HOLD DOWN, DUAL BATTERY	1	
6	30753	FASTENER – CABLE TIE, BLACK, 305 MM LG	1	
7	183358	HARNESS — HEADER CONNECTION, DRAPER, AUGER	1	
	183516	KIT – CHASSIS HARNESS REPAIR, DIODE D1-D4 (NOT ILLUSTRATED) ¹²³		
A	21492	NUT – FLG (SER FACE) # 10 NC GR 5 ZP		
B	50071	BOLT – HH M10 X 1.5 X 15 LG ZP		
C	50155	BOLT – HEX HD, M12 X 1.75 X 25		

NOTE:

Contact your Dealer for information regarding software updates to the electronic modules. Your Dealer will have the necessary interface tools and access to the latest software upgrades. For specific electrical harness parts, refer to Electrical Connector Parts Catalog (MD #169641).

¹²³.Includes harness (MD #183225) and instructions.

ELECTRICAL - CHASSIS



1004981

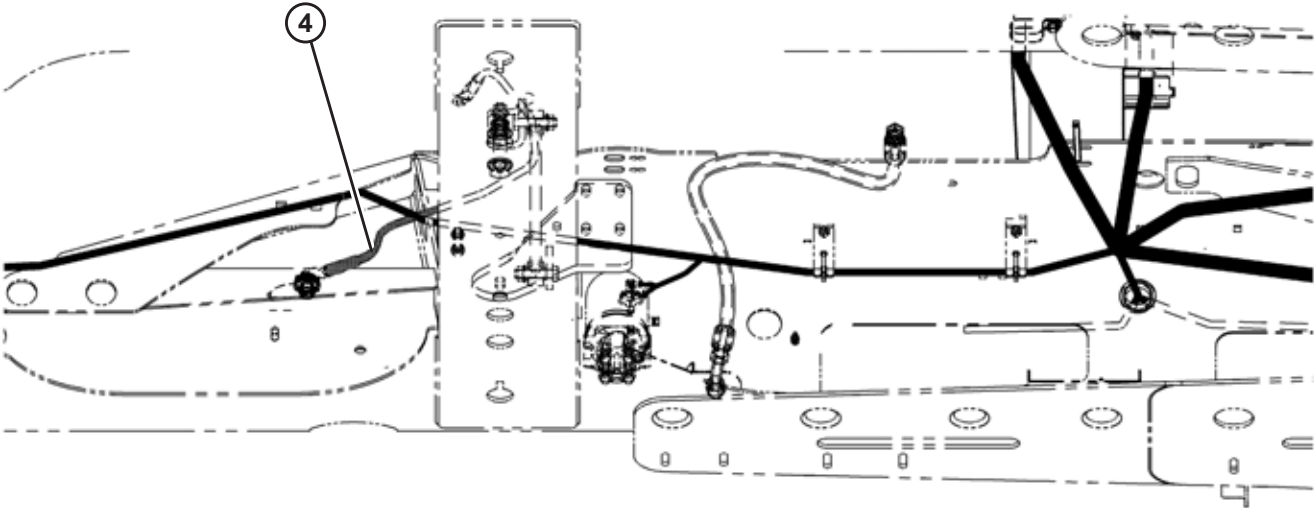
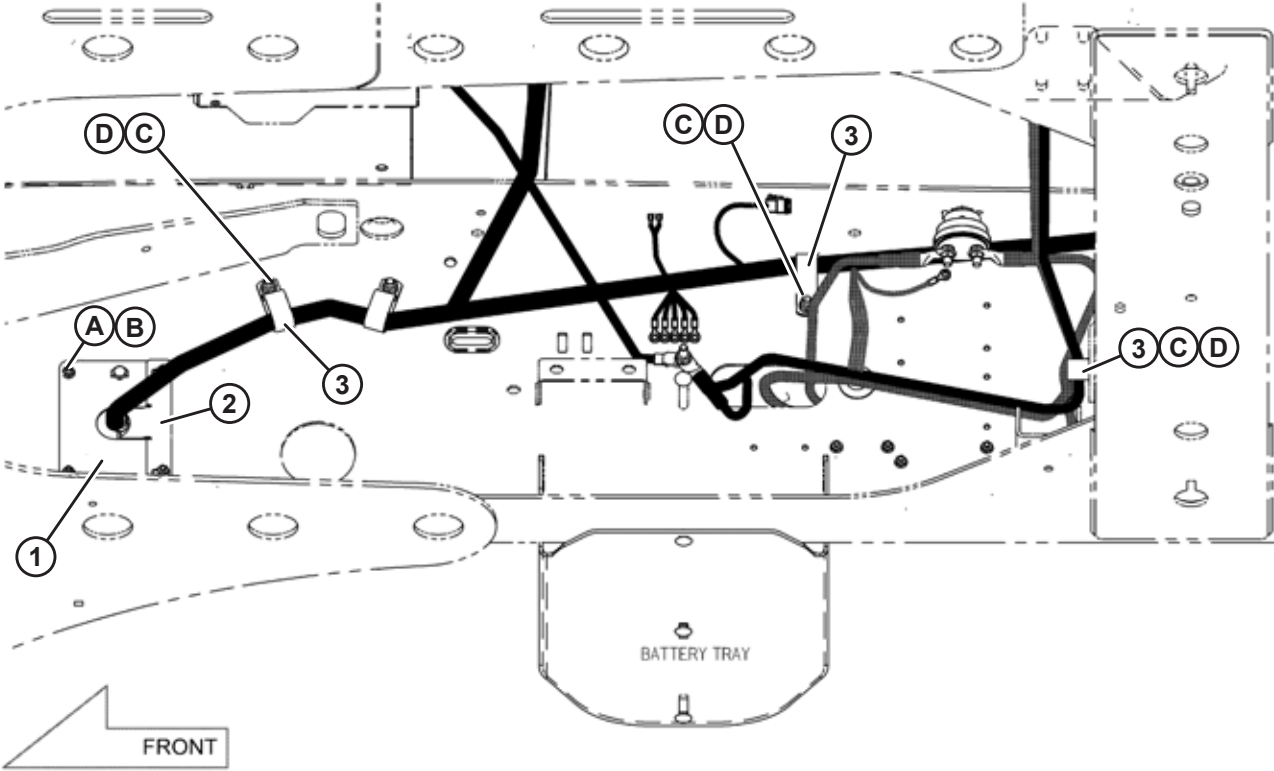
ELECTRICAL – CHASSIS

Ref	Part Number	Description	Qty	Serial Number
1	50022	CLAMP – INSULATED 15/16 INCH	10	
2	111667	MODULE – WINDROWER CONTROL	1	
3	109835	SEAL – FOAM	1	
4	30215	RELAY – MINI, 12VDC	3	
5	21947	SCREW – SELF TAPPING HEX WASH HD # 10 X 5/8 ZP	2	
6	109962	ASSY – FUSE COVER WITH GASKET	1	
7	139366	SEAL – TRIM-LOK, 3/8 IN. BULB, 1/8 IN. GRIP	1	
8	167865	HARNESS – CHASSIS, M SERIES (2018–LATER)	1	321190–
	183859	KIT – HARNESS, CHASSIS, M155/M205 (2017–PRIOR)	A/R	–321189
9	111465	CHANNEL – BATTERY SPACER	1	
10	166846	BRACKET – HOLD DOWN, DUAL BATTERY	1	
11	135293	SCREW – MACH PHILTRUSS HD #10-24 UNC X 1.0 IN.	1	
12	109951	CABLE – DUAL BATTERY, POSITIVE	1	
13	109953	CABLE – DUAL BATTERY, NEGATIVE	1	
14	109956	CABLE – BATTERY TO FRAME, NEGATIVE	1	
15	183030	CABLE – BATTERY TO FUSES	1	
16	183097	CABLE – SWITCH TO FUSES	1	
17	139069	HARNESS – HEADER PUMP RELAY	1	
	30215	RELAY – MINI, 12VDC		
18	166318	TERMINAL – JUMP START POST, POSITIVE	1	
	21763	FASTENER – CABLE TIE, BLACK, 160 MM LG	10	
	30753	FASTENER – CABLE TIE, BLACK, 305 MM LG	7	
19	183258	SHIELD – STARTER RELAY	1	
A	21289	NUT – WING TYPE A 3/8 NC ZP		
B	30228	NUT – FLG DT SMOOTH FACE 0.375-16 UNC		
C	19965	BOLT – RHSN 3/8 NC X 1.0 GR 5 ZP		
D	30432	BOLT – RHSN 3/8 NC X 2.25 TFL GR 5 ZP		
E	18598	WASHER – SAE FLAT 13/32 I.D X 13/16 O.D. ZP		
F	21492	NUT – FLG (SER FACE) #10 NC GR 5 ZP		
G	21452	NUT – FLG (SER FACE) .37-16 UNC		
H	50155	BOLT – HEX HD, M12 X 1.75 X 25		

NOTE:

Contact your Dealer for information regarding software updates to the electronic modules. Your Dealer will have the necessary interface tools and access to the latest software upgrades. For specific electrical harness parts, refer to Electrical Connector Parts Catalog (MD #169641).

ELECTRICAL – CHASSIS



1004984

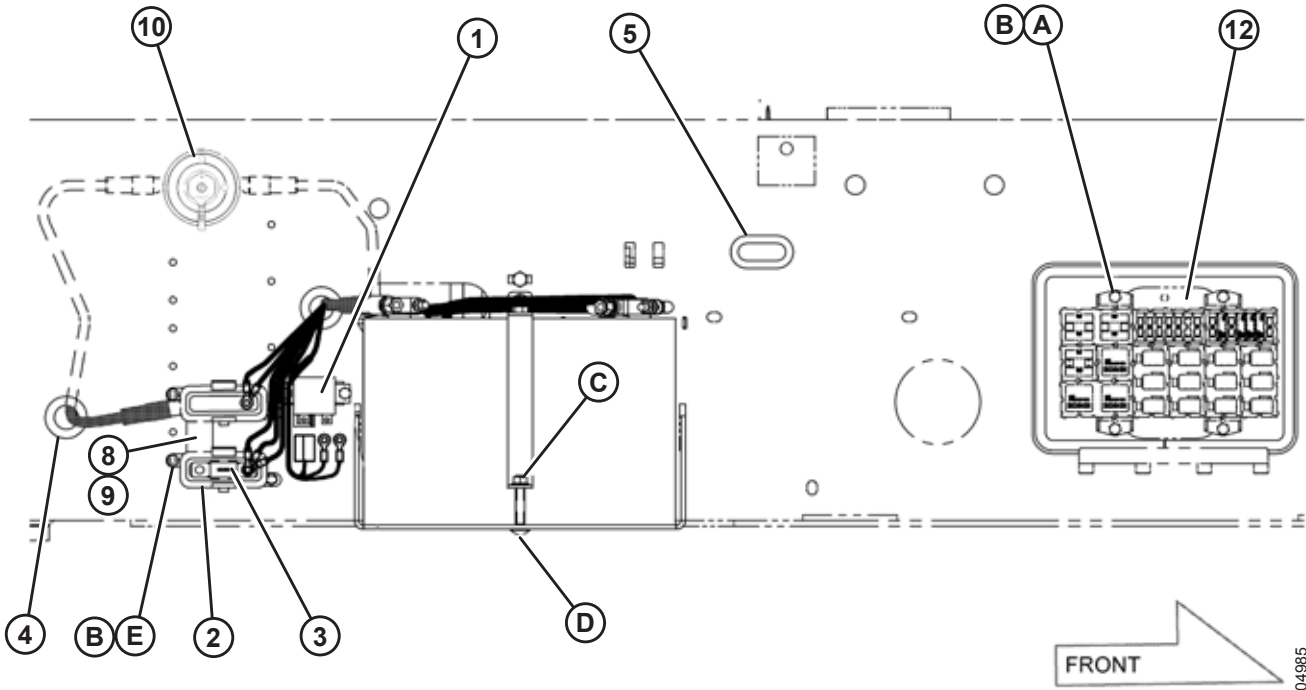
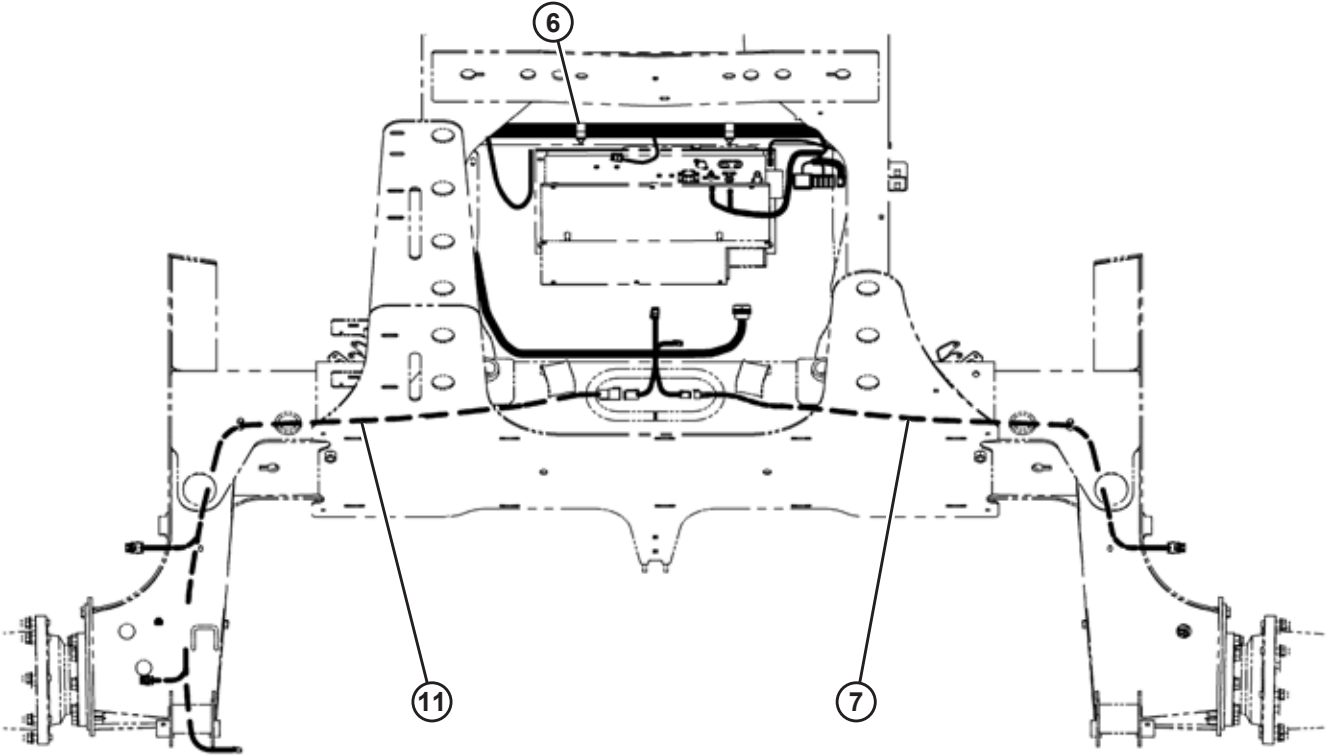
ELECTRICAL – CHASSIS

Ref	Part Number	Description	Qty	Serial Number
1	110586	COVER – FUSE PANEL WELDT	1	
2	163386	BRACKET – FUSE PANEL HARNESS SUPPORT	1	
3	50022	CLAMP – INSULATED 15/16 INCH	10	
4	138690	CABLE – BOOST POST TO STARTER	1	
A	21573	BOLT – HEX HD 1/4 NC X 1.0 LG GR 5 ZP		
B	21455	NUT – FLG (SER FACE) 1/4 NC GR 5 ZP		
C	30228	NUT – FLG DT SMOOTH FACE 0.375-16 UNC		
D	19965	BOLT – RHSN 3/8 NC X 1.0 GR 5 ZP		

NOTE:

Contact your Dealer for information regarding software updates to the electronic modules. Your Dealer will have the necessary interface tools and access to the latest software upgrades. For specific electrical harness parts, refer to Electrical Connector Parts Catalog (MD #169641).

ELECTRICAL - CHASSIS

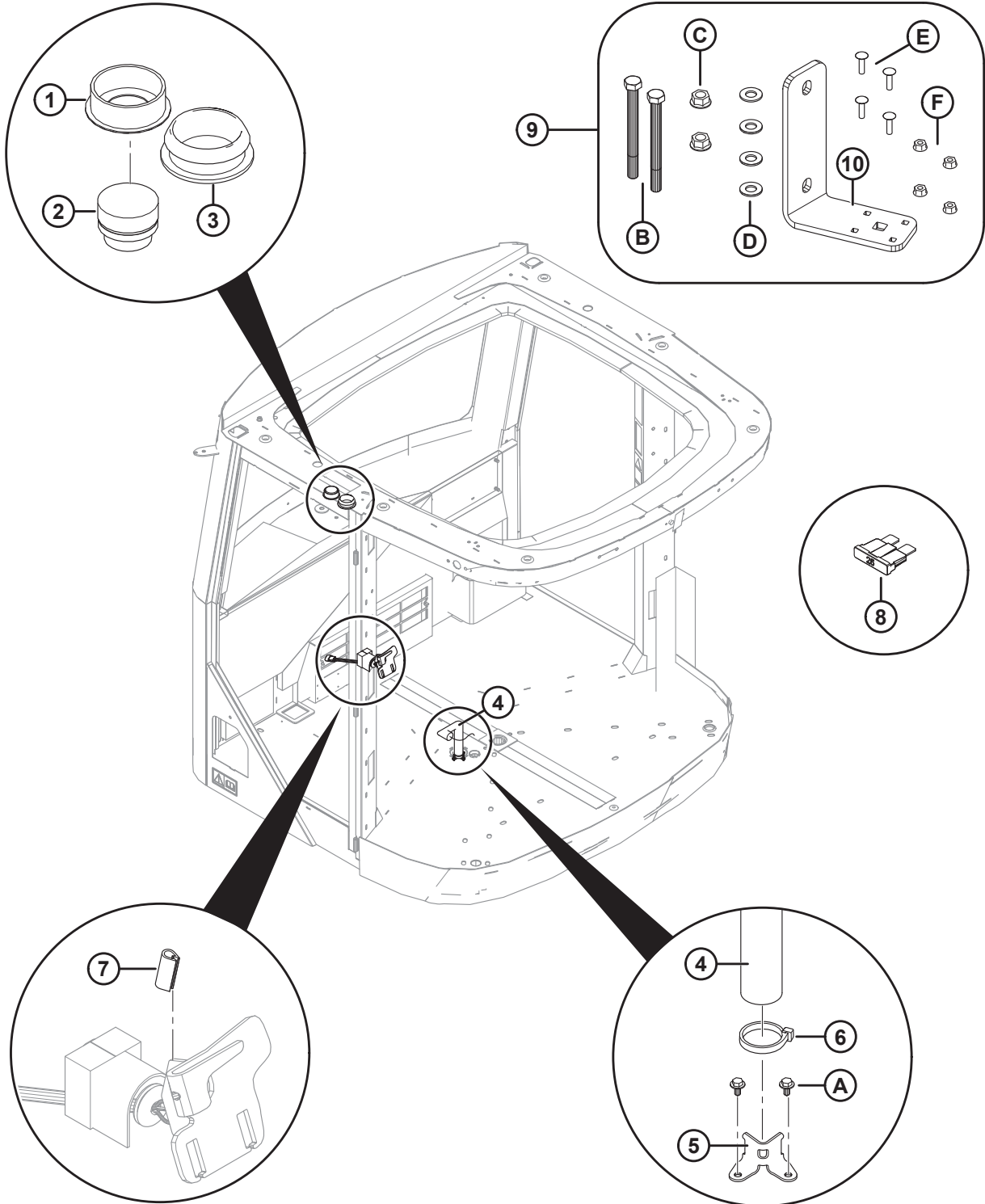


1004985

ELECTRICAL – CHASSIS

Ref	Part Number	Description	Qty	Serial Number
1	111504	POWER RELAY – 12V, 75A	1	
2	111506	FUSE – HOLDER	2	
3	111505	FUSE – 125 AMP	2	
4	112640	GROMMET	2	
5	111713	GROMMET – 1.50 INCH I.D.	3	
6	50022	CLAMP – INSULATED 15/16 INCH	10	
7	109755	HARNESS – WHEEL LEG, RH	1	
8	109993	BAR – BUSS, MAIN FUSES	1	
9	111672	INSULATOR – SHORTING BAR	1	
10	166271	SWITCH – BATTERY MASTER DISCONNECT	1	
11	109545	HARNESS – WHEEL LEG, LH	1	
12	REF	FUSE BLOCK		
	135215	FUSE – ATC, 5 AMPS (TAN)	A/R	
	135217	FUSE – ATC, 10 AMPS (RED)	A/R	
	135218	FUSE – ATC, 15 AMPS (BLUE)	A/R	
	135219	FUSE – ATC, 20 AMPS (YELLOW)	A/R	
	135220	FUSE – ATC, 25 AMPS (CLEAR)	A/R	
	135203	FUSE – MAXI, 20 AMPS (YELLOW)	A/R	
	135207	FUSE – MAXI, 30 AMPS (GREEN)	A/R	
	135208	FUSE – MAXI, 50 AMPS (RED)	A/R	
	135210	FUSE – MAXI, 60 AMPS (BLUE)	A/R	
	135458	CIRCUIT BREAKER – ATC, 10 AMPS	A/R	
	135459	CIRCUIT BREAKER – ATC, 15 AMPS	A/R	
	135625	CIRCUIT BREAKER – ATC, 20 AMPS	A/R	
	135687	CIRCUIT BREAKER – ATO/ATC, 30 AMPS, BLADE	A/R	
		134764	CIRCUIT BREAKER – MAXI, TYPE 1, 30 AMPS	A/R
	134837	RELAY – MICRO, 12VDC, SPDT	A/R	
	30215	RELAY – MINI, 12VDC, 40A, SPST	A/R	
A	21573	BOLT – HEX HD 1/4 NC X 1.0 LG GR 5 ZP		
B	21455	NUT – FLG (SER FACE) 1/4 NC GR 5 ZP		
C	30228	NUT – FLG DT SMOOTH FACE 0.375-16 UNC		
D	30432	BOLT – RHSN 3/8 NC X 2.25 TFL GR 5 ZP		
E	21566	BOLT – HEX HD 1/4 NC X 0.75 LG GR 5 ZP		

76 Electrical – GPS



ELECTRICAL – GPS

Ref	Part Number	Description	Qty	Serial Number
1	183318	PLUG – DECORATIVE 1.25 IN. HOLE	1	
2	183316	BUZZER – SON ALERT	1	
3	183319	PLUG – 53 MM	1	
4	183254	HARNESS – EZ PILOT	1	
5	183347	BRACKET – FLEXAUST	1	
6	21763	FASTENER – CABLE TIE, BLACK, 160 MM LG	1	
7	42072	MOULDING	1	
8	135220	FUSE – ATC, 25 AMP	1	
9	183348	KIT – TRIMBLE DISPLAY MOUNT ¹²⁴	1	
10	131412	SUPPORT – DISPLAY	1	
A	136605	SCREW – TPG HEX FLG HD #8-18 X 3/8-CS-ZP		
B	21593	BOLT – HH 3/8 NC X 4.0 LG GR 5 ZP		
C	21452	NUT – FLG (SER FACE) .375-16 UNC		
D	18598	WASHER – SAE FLAT 13/32 I.D. X 13/16 IN. O.D. ZP		
E	158722	BOLT – RH SN #10-24 NC X 3/4 GR 2 ZP		
F	21492	NUT – FLG (SER FACE) #10 NC GR 5 ZP		

124.Kit includes display support (MD #131412) and hardware B–F.

77 Paint

PREPARATION: WARNING! Removal of old paint by sanding, scraping or other means may generate dust or fumes that contain lead. Exposure to lead dust or fumes may cause brain damage or other adverse health effects, especially in children or pregnant women. Controlling exposure to lead or other hazardous substances requires the use of proper protective equipment, such as a properly fitted respirator (NIOSH Approved) and proper containment and clean up. For more information, call the National Lead Information Center at 1-800-424-LEAD (in US) or contact your local health authority.

Surface must be free of grease, rust, dirt and wax. Mask off or protect other areas from overspray. Product should be sprayed in a well-ventilated area. Use at room temperature 21°C (70°F) for best operation.

FOR BEST RESULT: Shake until ball inside cone rattles. Hold can at top, and swing bottom of can in a circle for at least 2 minutes, making ball travel around bottom groove. Shake up and down occasionally. Repeat shaking procedure for 10 seconds after each minute of spraying. Press spray button firmly, with the can 15-25 cm (6-8 inches) from surface. Apply several thin coats. To prevent clogging, clear the valve by holding can upside down, and spray until only clear gas comes out.

Made in Canada / Fabriqué au Canada
For / Pour
MACDON INDUSTRIES LTD
WINNIPEG, MANITOBA

PRÉPARATION: MISE EN GARDE! L'éloignement des anciennes peintures par ponçage, décapage ou toute autre méthode risque de dégager des poussières ou des vapeurs contaminées par le plomb. L'exposition à ces poussières ou vapeurs peut entraîner un dysfonctionnement du cerveau ou d'autres effets néfastes sur la santé, surtout chez les femmes enceintes et les enfants. L'utilisation d'équipement de protection approprié, tel qu'un appareil respiratoire bien ajusté et homologué par le NIOSH, ainsi que des moyens de confinement adéquats et un nettoyage convenable de ces substances dangereuses. Pour obtenir plus de renseignements, communiquez avec le National Lead Information Center au 1-800-424-5323 (sans 1-01) ou avec le service local de santé publique.

La surface doit être exempte de graisse, de rouille, de saleté et de cire. Masquer ou recouvrir les surfaces avoisinantes pour les protéger des suraérosols. Le produit doit être saupoudré dans un endroit bien aéré. Pour optimiser les résultats, utiliser à température ambiante 21°C (70°F).

POUR DES RÉSULTATS OPTIMUM: Agiter le contenant jusqu'à ce que la bille de mélange bouge librement. Ensuite, tenir la canette par le haut et en agitant le fond pendant au moins 2 minutes en faisant des mouvements circulaires pour que la bille se déplace autour du fond de la canette. Agiter de haut en bas de temps à autre. Agiter pendant 10 secondes pour chaque minute de vaporisation. Presser fermement sur le bouton de vaporisation en tenant la canette à 15-25 cm (6-8 pouces) de la surface. Appliquer plusieurs couches minces. Pour empêcher le gicler de l'obstruer, le nettoyer en tenant la canette à l'envers et en pressant sur le bouton de vaporisation jusqu'à ce qu'il n'en sorte que du gaz inerte.

Tableaux des produits conformes à la réglementation sur les COV de votre région.

CANADA: CONSUMER CHEMICALS AND CONTAINERS REGULATIONS (CCCR)

CONTENTS MAY CATCH FIRE - CONTAINER MAY EXPLODE IF HEATED - MAY IRRITATE EYES - MAY IRRITATE SKIN
Do not smoke. Do not puncture or incinerate container. Do not breathe fumes. Do not swallow. Do not get on skin or clothing. Use only in a well-ventilated area. Keep away from flames, such as a pilot light, and any object that sparks, such as an electric motor. Store away from heat. Keep out of reach of children.

FIRST AID TREATMENT: Contains Xylene, 1,2,4-Trimethylbenzene; Methyl ethyl ketone; Ethylbenzene. If breathed in, move person to fresh air. If swallowed, call a Poison Control Centre or doctor immediately. Do not induce vomiting. If in eyes, rinse with water for 15 minutes. If on skin, rinse well with water.

CANADA: RÉGLEMENT SUR LES PRODUITS CHIMIQUES ET LES CONTENANTS DE CONSOMMATION (RPCCC)

LE CONTENU PEUT S'ENFLAMMER - CE CONTENANT PEUT EXPLOSER S'IL EST CHAUFFÉ - PEUT IRRITER LES YEUX - PEUT IRRITER LA PEAU
Ne pas fumer. Ne pas percer. Ne pas brûler le contenant. Ne pas respirer les émanations. Ne pas avaler. Éviter tout contact avec les yeux. Éviter tout contact avec la peau ou les vêtements. Ne utiliser que dans un endroit bien aéré. Tenir loin des flammes, telle une flamme pilote, et de tout objet produisant des étincelles, tel un moteur électrique. Conserver loin des sources de chaleur. Tenir hors de portée des enfants.

PREMIERS SOINS: Contient Xylène, 1,2,4-Triméthylbenzène; Méthyléthylcétone; Éthylbenzène. En cas d'inhalation, transporter à l'air frais la personne exposée. En cas d'ingestion, appeler immédiatement un centre antipoison ou un médecin. Ne pas provoquer le vomissement. En cas de contact avec les yeux, rincer avec de l'eau pendant 15 minutes. En cas de contact avec la peau, bien rincer avec de l'eau.

USA: CONSUMER PRODUCT SAFETY COMMISSION REGULATIONS (CPSC)

CONTENTS MAY CATCH FIRE - CONTAINER MAY EXPLODE IF HEATED - HARMFUL IF ABSORBED THROUGH SKIN - HARMFUL OR FATAL IF SWALLOWED - CAUSES RESPIRATORY TRACT, EYE AND SKIN IRRITATION - MAY CAUSE SEVERE ALLERGIC RESPIRATORY AND SKIN REACTION - CANCER HAZARD - CAN CAUSE CANCER, DEVELOPMENTAL TOXICITY/TERATOGENIC EFFECTS.

WARNING: This product contains a chemical known to the State of California to cause cancer and birth defects or other reproductive harm. In a fire or if heated, a pressure increase will occur and the container may burst or explode. Can enter lungs and cause damage. Risk of cancer depends on duration and level of exposure. Contains material which can cause birth defects. Contains material which can cause developmental abnormalities. Do not smoke, do not puncture or incinerate container. Do not breathe fumes. Do not swallow. Do not get on skin or clothing. Avoid contact with eyes. Keep container tightly closed and sealed until ready for use. Wash thoroughly after handling. Avoid exposure during pregnancy. Keep out of reach of children.

FIRST AID TREATMENT: Contains Xylene, 1,2,4-Trimethylbenzene; Methyl ethyl ketone; Ethylbenzene. If breathed in, move person to fresh air. If swallowed, call a Poison Control Centre or doctor immediately. Do not induce vomiting. If in eyes, rinse with water for 15 minutes. If on skin, rinse well with water.



Industrial Touch Up Paint Peinture de retouche industrielle



DANGER!

**FLAMMABLE - CONTENTS UNDER PRESSURE
INFLAMMABLE - CONTENU SOUS PRESSION**



Part number / Numéro de pièce

Net weight with paint 12 oz. / 340 g
Poids net avec peinture

1

2

Read and understand all safety instructions before using this product.
Lire et comprendre toutes les consignes de sécurité avant d'utiliser ce produit.

Made in Canada / Fabriqué au Canada
For / Pour
MACDON INDUSTRIES LTD
WINNIPEG, MANITOBA

CANADA: CONSUMER CHEMICALS AND CONTAINERS REGULATIONS (CCCR)

CONTENTS MAY CATCH FIRE, MAY IRRITATE EYES, MAY IRRITATE SKIN. Do not smoke. Do not burn. Do not get on eyes. Do not get on skin or clothing. Use only in a well-ventilated area. Keep away from flames, such as a pilot light, and any object that sparks, such as an electric motor. Store away from heat. Keep out of reach of children.

FIRST AID TREATMENT: Contains Xylene, 1,2,4-Trimethylbenzene; Methyl ethyl ketone; Ethylbenzene. If swallowed, call a Poison Control Centre or doctor immediately. Do not induce vomiting. If in eyes, rinse with water for 15 minutes. If on skin, rinse well with water.

CANADA: RÉGLEMENT SUR LES PRODUITS CHIMIQUES ET LES CONTENANTS DE CONSOMMATION (RPCCC)

LE CONTENU PEUT S'ENFLAMMER, PEUT IRRITER LES YEUX, PEUT IRRITER LA PEAU. Ne pas fumer. Ne pas brûler. Ne pas se faire dans les yeux. Éviter tout contact avec la peau. Éviter tout contact avec les vêtements. Ne utiliser que dans un endroit bien aéré. Tenir loin des flammes, telle une flamme pilote, et de tout objet produisant des étincelles, tel un moteur électrique. Conserver loin des sources de chaleur. Tenir hors de portée des enfants.

PREMIERS SOINS: Contient Xylène, 1,2,4-Triméthylbenzène; Méthyléthylcétone; Éthylbenzène. En cas d'ingestion, appeler immédiatement un centre antipoison ou un médecin. Ne pas provoquer le vomissement. En cas de contact avec les yeux, rincer avec de l'eau pendant 15 minutes. En cas de contact avec la peau, bien rincer avec de l'eau.

USA: CONSUMER PRODUCT SAFETY COMMISSION REGULATIONS (CPSC)

FLAMMABLE LIQUID AND VAPOR, HARMFUL IF ABSORBED THROUGH SKIN, HARMFUL OR FATAL IF SWALLOWED, CAUSES RESPIRATORY TRACT, EYE AND SKIN IRRITATION, MAY CAUSE SEVERE ALLERGIC RESPIRATORY AND SKIN REACTION, CANCER HAZARD, DEVELOPMENTAL TOXICITY/TERATOGENIC EFFECTS.

WARNING: This product contains a chemical known to the State of California to cause cancer and birth defects or other reproductive harm. Can enter lungs and cause damage. Risk of cancer depends on duration and level of exposure. Contains material which can cause birth defects. Contains material which can cause developmental abnormalities. Do not smoke, do not burn. Do not get on eyes. Do not get on skin or clothing. Use only in a well-ventilated area. Keep away from flames, such as a pilot light, and any object that sparks, such as an electric motor. Store away from heat. Keep out of reach of children.

FIRST AID TREATMENT: Contains Xylene, 1,2,4-Trimethylbenzene; Methyl ethyl ketone; Ethylbenzene. If swallowed, call a Poison Control Centre or doctor immediately. Do not induce vomiting. If in eyes, rinse with water for 15 minutes. If on skin, rinse well with water.



Industrial Paint / Peinture industrielle



**DANGER!
FLAMMABLE / INFLAMMABLE**



One US quart

Part number / Numéro de pièce

946 ml

DIRECTIONS FOR USE

THIS PRODUCT IS READY TO USE, NO REDUCER IS REQUIRED.

APPLICATION:

Open nozzle at 40 to 50 PSI (2.7 to 3.4 MPa).

NOISE & FUMES IS NOT NECESSARY WITH THIS PRODUCT.

Open nozzle vent out, allow to back and fill with full vent.

FOR VOC REGULATED AREAS:

These directions refer to the use of products which may be restricted or require special mixing instructions in VOC regulated areas. Follow relevant VOC regulations/controls in the VOC Compliance Chart for your area.

MODE D'EMPLOI

CE PRODUIT EST PRÊT À L'UTILISATION, AUCUN DÉLANTÉ N'EST REQUIS.

APPLICATION:

Prélever à une pression de 40 à 50 lb/po² (2,7 à 3,4 MPa).

L'UTILISATION D'UN APPRÊT N'EST PAS NÉCESSAIRE AVEC CE PRODUIT.

Appliquez une couche immédiatement changez, laissez sécher jusqu'à ce qu'elle devienne polissable, puis appliquez une couche suivante.

RÈGLEMENTATION SUR LES COV

Ces directions concernent l'utilisation de produits peints pour les réglementations ou contrôles des instructions de mélange et d'étiquetage indiquées au tableau des produits conformes à la réglementation sur les COV de votre région.

PAINT


Ref	Part Number	Description	Qty	Serial Number
1	135148	PAINT – BLACK (55-65 GLOSS LEVEL), SPRAY CAN, 12 OZ. (340 G) AEROSOL ¹²⁵		
	32879	PAINT – WHITE, SPRAY CAN, 12 OZ. (340 G) AEROSOL		
	23950	PAINT – RED, SPRAY CAN, 12 OZ. (340 G) AEROSOL ¹²⁶		
2	25991	PAINT – BLACK (55-65 GLOSS LEVEL), 1 US QUART (946 ML)		
	23957	PAINT – WHITE, 1 US QUART (946 ML)		

125. Previously was MD #25990.

126. To be used for small touch-ups only.

78 Decals – Safety (2012 and Prior)

⚠ DANGER



To prevent machine runaway:

- Do not start engine by shorting across starter or starter relay terminals. Machine will start with drive engaged and move if starting circuitry is bypassed.
- Start engine only from operator's seat. Do not try to start engine with someone under or near machine.

42100

1


⚠ WARNING

The training seat is provided for an experienced operator of the machine when a new operator is being trained.

The training seat is NOT intended as a PASSENGER SEAT or FOR USE BY CHILDREN.

USE THE SEAT BELT whenever operating the machine or riding as a trainer.

KEEP ALL OTHER RIDERS OFF THE MACHINE.




102873

2

3

⚠ DANGER



To prevent machine runaway:

- STOP ENGINE before adjusting steering linkage or neutral interlock.
- Do not rewire or misadjust neutral interlock so engine can be started with controls out of neutral.
- Do not try to start engine with someone under or near machine.
- Refer to Operator's Manual for starting and adjustment procedures.

432743

4

⚠ WARNING

- Machine will move if steering wheel is turned while engine is running.
- Steering response is opposite to what is normally expected when backing up. Turn bottom of steering wheel in direction you want to go.
- Always move ground speed lever to slow end of range before shifting high-low speed control.

For complete operating instructions refer to Operator's Manual.

STARTING: Disengage header drive. Move ground speed lever to N. Lock steering wheel. Turn key.

STOPPING: Move ground speed lever to N. Lock steering wheel. Disengage header drive and stop engine.

LOADING: Disengage wheel drives by reversing disc at center of wheel.

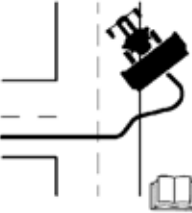
10054

⚠ WARNING

To avoid serious injury or death from loss of control:

- Do not make abrupt changes in steering direction.
- Anticipate turns by slowing down well in advance.
- Do not rapidly accelerate or decelerate while turning.
- Limit speed to maximum 20 mph (32 km/h) when towing a header. To ensure steering control refer to operator's manual for adding weight to drive wheels.
- When traveling on steep slopes:
 - Reduce speed and lower header.
 - Move ground speed lever to slow end of range.
 - Shift high-low speed control to low range.
- With header removed, steering control is reduced if weight is not added to drive wheels. If you must drive the tractor without header or MacDon weight system:
 - Operate in low speed range.
 - Avoid slopes.
 - Do not tow a header.

IF CONTROL OF MACHINE IS LOST, IMMEDIATELY PULL GROUND SPEED LEVER TO NEUTRAL.



100423

5

⚠ CAUTION

To avoid injury or death from exposure or unsafe machine operation:

- Read the Operator's Manual and listen to safety instructions if you do not have a printout. Wear headset your radio.
- Do not allow children to operate the machine.
- Never carry passengers with or near the machine.
- Use proper operation in clear of obstacles before starting engine and driving forward.
- Keep hands off the controls.
- Use all safety devices and always wear your seat belt.
- Lower the header down, put tractor into neutral and wait for all implements to stop before turning around a corner.
- Use all engine and machine key locks, ground before turning, adjusting, lubricating, servicing or attempting repairs.
- Use proper tie to prevent tipping of tractor or trailer before backing in the field position.
- Use only the correct vehicle service and towing coupling lights when operating an implement unless prohibited by law.




100423

6

7

⚠ CAUTION

Coolant is under pressure and may be hot. Never remove radiator cap when engine is hot.




100428

⚠ WARNING

PREVENT SERIOUS BODILY INJURY CAUSED BY:

- EXPLOSIVE BATTERY GASES. Keep sparks and flames away from the battery. Refer to Operator's Manual for battery boosting and charging procedures.
- CORROSIVE AND POISONOUS BATTERY ACID. Acid can severely burn your body and clothing.



100428

8

⚠ WARNING

Collisions between subdivider and other vehicles may result in injury or death.

When driving windshield on public roadways:

- Obey all highway traffic regulations in your area. Use pilot vehicles front and rear of subdivider if required by law.
- Use slow moving vehicle emblem and flashing warning lights unless prohibited by law.
- If width of attached header exceeds other vehicle height, remove header and install a MacDon approved weight box. Refer to Operator's Manual for safe procedure to tow header.




100428

9

⚠ WARNING

DO NOT GO NEAR LEAKS

- High pressure oil easily punctures skin causing serious injury, gangrene or death.
- If injured, seek emergency medical help. Immediate surgery is required to remove oil.
- Do not use finger or skin to check for leaks.
- Lower load or relieve hydraulic pressure before loosening fittings.



100428

10

⚠ WARNING




11

⚠ WARNING

DO NOT GO NEAR LEAKS

- High pressure oil easily punctures skin causing serious injury, gangrene or death.
- If injured, seek emergency medical help. Immediate surgery is required to remove oil.
- Do not use finger or skin to check for leaks.
- Lower load or relieve hydraulic pressure before loosening fittings.



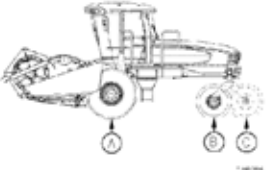
100428

13

⚠ CAUTION

To prevent machine damage and/or loss of control, it is essential that the machine be equipped such that weights are within the following limits:

BOTH WHEELS COMBINED	LBS	KG
MAX GVW (includes mounted implements)	21,500	9,750
MAX CGW (includes towed and mounted implements)	23,100	10,480
WEIGHT ON DRIVE WHEELS	18,750	8,500
WHEELS MN. A	10,079	4,570
MAXIMUM WEIGHT "B" ON CASTER TIRES	6,950	2,750




100428

12

⚠ WARNING

- Engine exhaust may be hot.
- Coolant is under pressure and may be hot. Never remove radiator cap when engine is hot.



100428

14

SAFETY


live with it



15

⚠ DANGER

Header drive shaft is under tension. Do not touch or lean against it.



16

16

DECALS – SAFETY (2012 AND PRIOR)

Ref	Part Number	Description	Qty	Serial Number
1	42130	DECAL – DANGER		
2	109868	DECAL – WARNING - TRAINING SEAT AND SEAT BELTS		
3	32743	DECAL – DANGER		
4	109844	DECAL – WARNING		
5	160429	DECAL – WARNING, STEERING CONTROL		
6	109843	DECAL – GENERAL CAUTION		
7	134068	DECAL – CAUTION, COOLANT PRESSURE		
8	110989	DECAL – WARNING		
9	160422	DECAL – WARNING, TRANSPORT		
10	134070	DECAL – WARNING, HIGH PRESSURE FLUID (HORIZONTAL FORMAT)		
11	110986	DECAL – WARNING		
12	160396	DECAL – CAUTION, GVW M150/M200		
13	44944	DECAL – WARNING, HIGH PRESSURE FLUID (VERTICAL FORMAT)		
14	139668	DECAL – WARNING, EXHAUST/COOLANT		
15	32744	DECAL – SAFETY: LIVE WITH IT		
16	163561	DECAL – HEADER LOCK RH		
	163562	DECAL – HEADER LOCK LH		

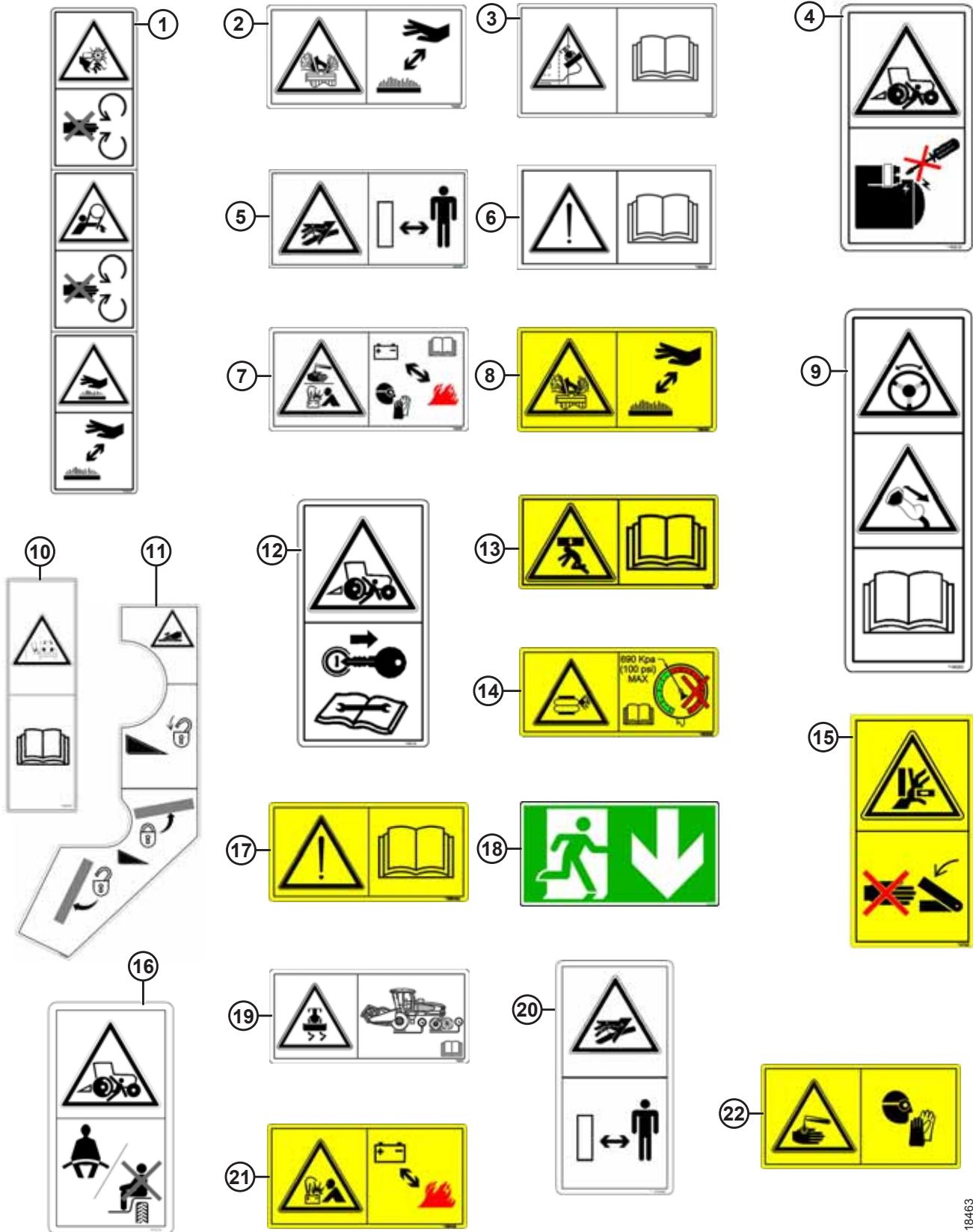
NOTE:

All decals listed have been replaced by two-panel decals for 2013 and later. Decals listed are available as service parts only until stock is depleted.

NOTE:

- Safety Decals – 2013 and Later, refer to Section [79 Decals – Safety \(2013 and Later\)](#), page 227
- Information Decals and Reflectors, refer to Section [80 Decals – Information and Reflectors](#), page 229
- Product Identification Decals, refer to Section [81 Decals – Product Identification](#), page 233
- Russian Language Decals, refer to Section [82 Decals – Russian](#), page 235

79 Decals – Safety (2013 and Later)



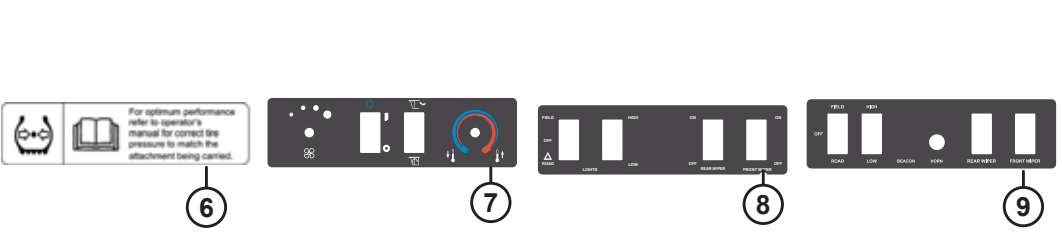
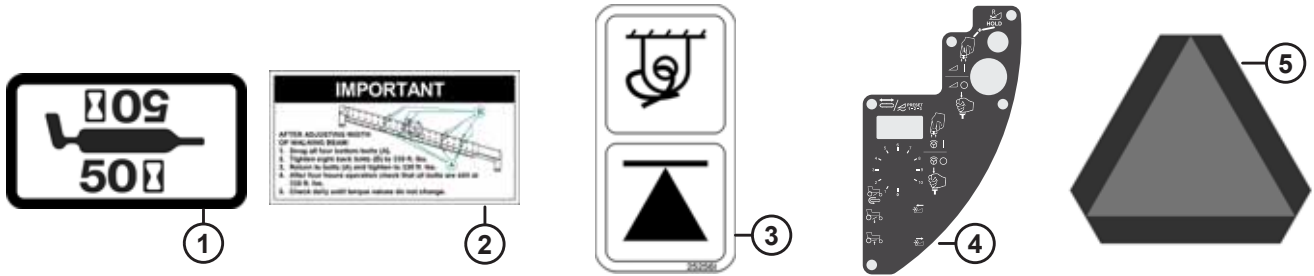
DECALS – SAFETY (2013 AND LATER)

Ref	Part Number	Description	Qty	Serial Number
1	166235	DECAL – WARNING		
2	166232	DECAL – CAUTION		
3	166264	DECAL – STEERING CONTROL		
4	166233	DECAL – DANGER		
5	166466	DECAL – HIGH PRESSURE FLUID		
6	166324	DECAL – READ MANUAL		
7	166230	DECAL – WARNING (BATTERY EXPLOSION)		
8	166461	DECAL – WARNING ROTATING FAN		
9	166263	DECAL – WARNING STEERING/GROUND SPEED		
10	160427	DECAL – TRANSPORT		
11	166439	DECAL – HEADER LOCK, 2 PANEL, RH		
	166438	DECAL – HEADER LOCK, 2 PANEL, LH		
12	166236	DECAL – DANGER (88 X 168)		
	166425	DECAL – DANGER (62 X 120)		
13	NSS	DECAL – WARNING		
14	NSS	DECAL – WARNING		
15	167502	DECAL – WARNING, PINCH HAZARD		
16	166234	DECAL – WARNING (TRAINING SEAT AND SEAT BELTS)		
17	166454	DECAL – READ MANUAL		
18	167504	DECAL – EMERGENCY EXIT		
19	166441	DECAL – CAUTION GVW		
20	174436	DECAL – HIGH PRESSURE FLUID		
21	166455	DECAL – WARNING, BATTERY EXPLOSION		
22	166456	DECAL – WARNING, BATTERY BURN		

NOTE:

- Safety Decals – 2012 and Prior, refer to Section *78 Decals – Safety (2012 and Prior)*, page 225
- Information Decals and Reflectors, refer to Section *80 Decals – Information and Reflectors*, page 229
- Product Identification Decals, refer to Section *81 Decals – Product Identification*, page 233
- Russian Language Decals, refer to Section *82 Decals – Russian*, page 235

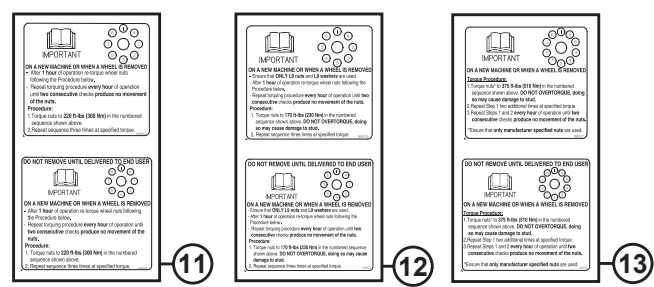
80 Decals – Information and Reflectors



This product may be covered by one or more of the following patents:

CDN. # 1075914	U.S. # 35543
CDN. # 1225739	U.S. # 4346909
CDN. # 1240158	U.S. # 4573309
CDN. # 1244248	U.S. # 4660361
CDN. # 1267292	U.S. # 4652161
CDN. # 1322104	U.S. # 4999026
AUSTRALIA # 615149	U.S. # 5086613
AUSTRALIA # 617821	U.S. # 5157905
KAZAKHSTAN # 4372	U.S. # 5243810
RUSSIA # 1628389	U.S. # 5261290
UKRAINE # 5440	U.S. # 5453239
ITALY # 0717922	U.S. # 5459986
FRANCE # 0717922	U.S. # 5473872
GERMANY # 0717922	U.S. # 5927606
U.K. # 0717922	U.S. # 5976695
	U.S. # 5992759
	U.S. # 6029429

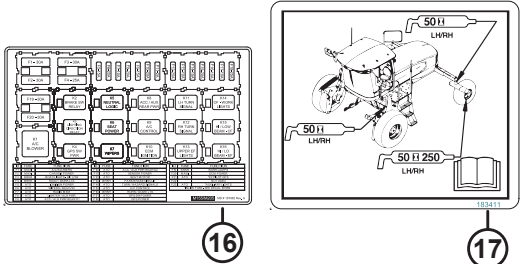
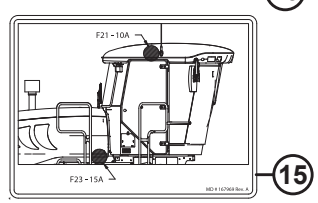
Other patents pending.



CLOSED COOLANT SYSTEM

- Pressurized radiator cap – KEEP TIGHT.
- Coolant system is factory filled with 50% anti-freeze/water mixture.
- Maintain coolant level in reservoir within "NORMAL" range shown.
- Refer to the Operator's Manual for safe procedure to refill the radiator.

↑ NORMAL ↓



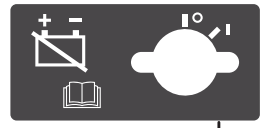
A/C SYSTEM SERVICE INFORMATION

This system contains fluorescent leak detector dye. Inspect with an ultraviolet light to pinpoint leaks. Dye is removed with red/green change. Receiver Drier contains dye inside.

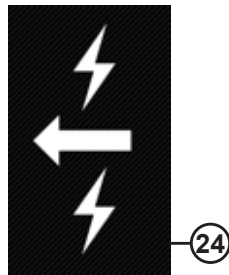
Serviced by: _____
Date: _____

REFRIGERANT (R134a) COMPRESSOR OIL

Before attaching to header, latch must be down to enable self-locking mechanism.

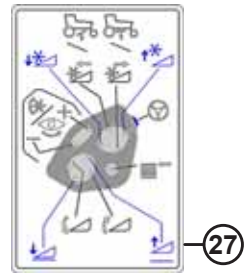


IMPORTANT
Torque wheel bolts to 120 ft.lbs. Retorque after first hour of operation.

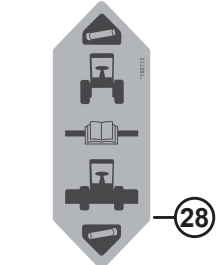
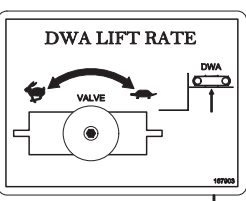
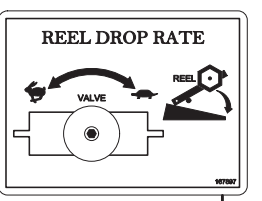
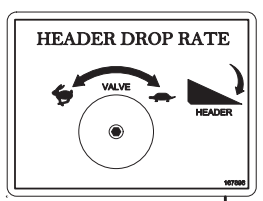


HYDRAULIC SYSTEM
USE SAE 15W40 ENGINE OIL

Check oil level daily. Fill to "FULL" mark with header on ground. Refer to operator's manual for oil specifications. Approximate refill capacity: 64 litres, or 17 US gallons.



IMPORTANT
DIESEL FUEL ONLY



DECALS – INFORMATION AND REFLECTORS

Ref	Part Number	Description	Qty	Serial Number
1	23165	DECAL – 50 HR LUBE		
	183412	DECAL – 250 HR LUBE		
2	109842	DECAL – IMPORTANT		
3	252561	DECAL – TIE DOWN AND 'JACK HERE'		
4	183313	DECAL – SWITCH PANEL		
5	115148	DECAL – SLOW MOVING VEHICLE (BEHIND DRIVER'S SEAT)		
6	111221	DECAL – TIRE PRESSURE		
7	109716	DECAL – RH CAB OVERHEAD CONSOLE		
8	109534	DECAL – LIGHTS		
9	160367	DECAL – LIGHTS, 'BEACON' AND 'HORN' TEXT ADDED		
10	32070	DECAL – PATENTS		
11	166472	DECAL – BOLT TORQUE, 8 BOLT (2012 AND PRIOR) ¹²⁷		
	166497	DECAL – BOLT TORQUE, 8 BOLT (2012 AND PRIOR) DO NOT REMOVE UNTIL DELIVERED TO END USER ¹²⁷		
12	166575	DECAL – BOLT TORQUE, 8 BOLT (2013–2014) ¹²⁸		
	166576	DECAL – BOLT TORQUE, 8 BOLT (2013–2014) DO NOT REMOVE UNTIL DELIVERED TO END USER ¹²⁸		
13	166727	DECAL – BOLT TORQUE, 10 BOLT (2015 AND LATER) ¹²⁹		
	166705	DECAL – BOLT TORQUE, 10 BOLT (2015 AND LATER) DO NOT REMOVE UNTIL DELIVERED TO END USER ¹²⁹		

NOTE:

Information Decals and Reflectors parts list continues on the following page.

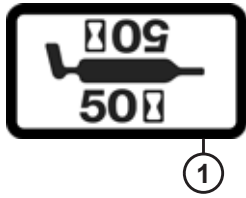
- Safety Decals – 2012 and Prior, refer to Section [78 Decals – Safety \(2012 and Prior\)](#), page 225
- Safety Decals – 2013 and Later, refer to Section [79 Decals – Safety \(2013 and Later\)](#), page 227
- Product Identification Decals, refer to Section [81 Decals – Product Identification](#), page 233
- Russian Language Decals, refer to Section [82 Decals – Russian](#), page 235

127.8 bolt, flange nut (220 ft-lbf). This decal should be used with units that still have eight-bolt wheels with 5/8 in. flange nuts like those originally installed in the factory. If your unit has been upgraded to 5/8 in. L9 nuts and washers, order item #12 (MD #166575 or 166576) instead. If you aren't sure which you have, see your Dealer. For the upgrade kit (which includes the appropriate decal), refer to Section [12 Drive Wheels and Tires – Eight Bolt](#), page 23.

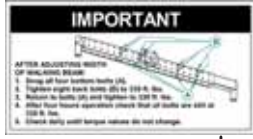
128.8 bolt, L9 (170 ft-lbf). This decal should be used with units that have eight-bolt wheels with 5/8 in. L9 nuts and washers. If your unit still has 5/8 in. flange nuts, order item #11 (MD #166472 or 166497) instead. If you aren't sure which you have, see your Dealer.

129.10 bolt, nut – modified with two-piece washer (375 ft-lbf).

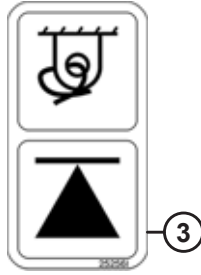
DECALS – INFORMATION AND REFLECTORS



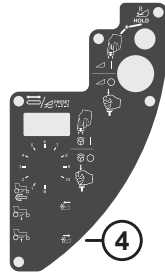
1



2



3



4



5



6



7



8



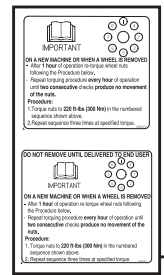
9

This product may be covered by one or more of the following patents:

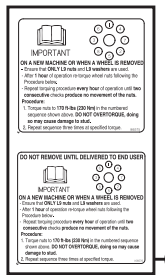
CDN. # 1075914	U.S. # 35543
CDN. # 1225739	U.S. # 4346909
CDN. # 1240158	U.S. # 4573309
CDN. # 1244248	U.S. # 4663061
CDN. # 1267292	U.S. # 4662161
CDN. # 1322104	U.S. # 4909026
AUSTRALIA # 615149	U.S. # 5086613
AUSTRALIA # 617821	U.S. # 5157905
KAZAKHSTAN # 4372	U.S. # 5243810
RUSSIA # 1623309	U.S. # 5291290
UKRAINE # 3440	U.S. # 5435239
ITALY # 0717922	U.S. # 5459986
FRANCE # 0717922	U.S. # 5473872
GERMANY # 0717922	U.S. # 5678398
U.K. # 0717922	U.S. # 5791128
	U.S. # 5927606
	U.S. # 5970695
	U.S. # 5992759
	U.S. # 6029423

Other patents pending.

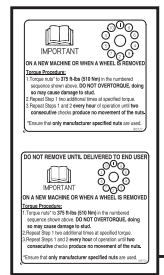
10



11



12



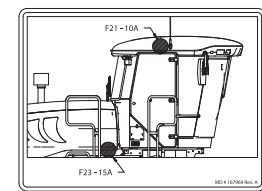
13

CLOSED COOLANT SYSTEM

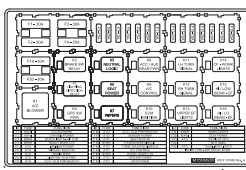
- Pressurized radiator cap – KEEP TIGHT.
- Coolant system is factory filled with 50% anti-freeze/water mixture.
- Maintain coolant level in reservoir within "NORMAL" range shown.
- Refer to the Operator's Manual for safe procedure to refill the radiator.

↑ NORMAL ↓

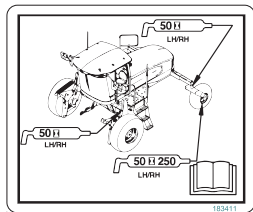
14



15



16



17

A/C SYSTEM SERVICE INFORMATION

This system contains fluorescent leak detection dye. Inspect with an ultraviolet light by approved technicians. Dye is removed with refrigerant change. Receiver drier contains dye inside.

Serviced by: _____

Date: _____

18

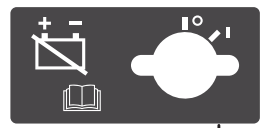
19

REFRIGERANT 134a **COMPRESSOR OIL**

Refrigerant: R134a (HFC) Oil: SAE 15W40

Before attaching to header, latch must be down to enable self-locking mechanism.

20

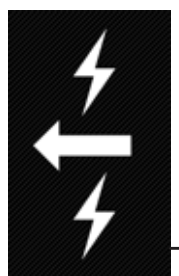


21

IMPORTANT

Torque wheel bolts to 120 ft.lbs. Retorque after first hour of operation.

22



24



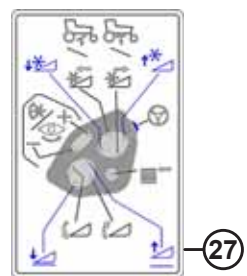
25

HYDRAULIC SYSTEM

USE SAE 15W40 ENGINE OIL

Check oil level daily. Fill to "FULL" mark with header on ground. Refer to operator's manual for oil specifications. Approximate refill capacity: 64 litres, or 17 US gallons.

26

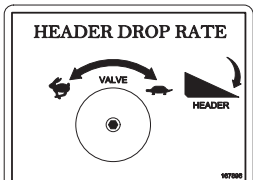


27

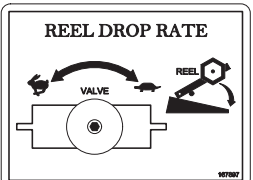
IMPORTANT

DIESEL FUEL ONLY

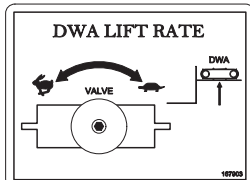
23



29



30



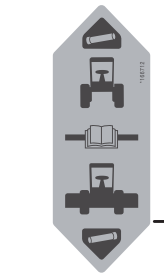
31



32



33



28

1022048

DECALS – INFORMATION AND REFLECTORS

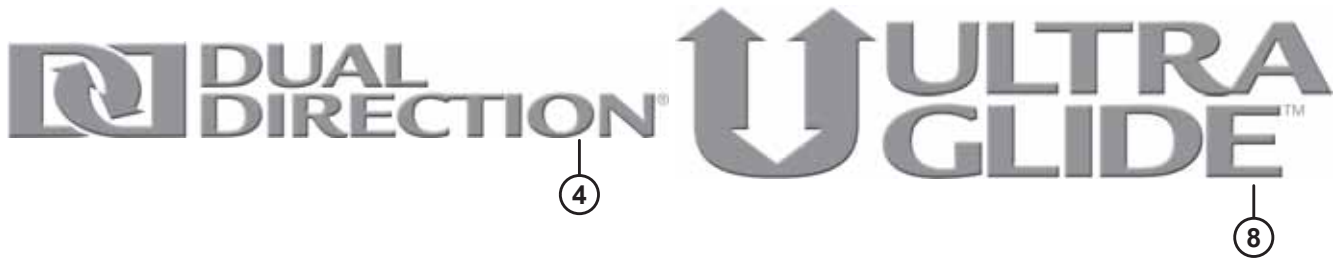
Ref	Part Number	Description	Qty	Serial Number
14	134069	DECAL – COOLANT SYSTEM		
15	167969	DECAL – M INLINE FUSES		
16	167962	DECAL – FUSE BLOCK ¹³⁰		321190–
	183562	DECAL – FUSE BLOCK ¹³¹		266820– 321189
	183338	DECAL – FUSE BLOCK ¹³²		–266819
17	183411	DECAL – LUBRICATION		
18	166509	DECAL – A/C DYE		
19	183179	DECAL – REFRIGERANT/OIL		
20	139723	DECAL – LATCH HANDLE		
21	166273	DECAL – BATTERY MASTER DISCONNECT		
22	101375	DECAL – TORQUE WHEEL BOLTS (10 X 16 CASTERS ONLY)		
23	24769	DECAL – DIESEL FUEL ONLY		
24	109205	DECAL – AUXILIARY POWER		
25	183314	DECAL – GROUND SPEED		
26	110990	DECAL – HYDRAULIC OIL		
27	160108	DECAL – CONTROL		
28	166712	DECAL – FLOAT PIN POSITION		
29	167896	DECAL – HEADER DROP RATE		
30	167897	DECAL – REEL DROP RATE		
31	167903	DECAL – DWA LIFT RATE		
32	110988	DECAL – ENGINE OIL		
33	115145	REFLECTOR – FLUORESCENT RED-ORANGE		
	115146	REFLECTOR – AMBER		
	115147	REFLECTOR – RED		

NOTE:

- Safety Decals – 2012 and Prior, refer to Section *78 Decals – Safety (2012 and Prior)*, page 225
- Safety Decals – 2013 and Later, refer to Section *79 Decals – Safety (2013 and Later)*, page 227
- Product Identification Decals, refer to Section *81 Decals – Product Identification*, page 233
- Russian Language Decals, refer to Section *82 Decals – Russian*, page 235

130. Service part only for units made in 2018 and later.
 131. Service part only for units made in 2015 to 2017.
 132. Service part only for units made prior to 2015.

81 Decals – Product Identification



DECALS – PRODUCT IDENTIFICATION

Ref	Part Number	Description	Qty	Serial Number
1	139600	DECAL – MD LH HOOD	1	
2	139609	DECAL – MD RH HOOD	1	
3	163298	DECAL – MACDON, FRONT OF CAB	1	
4	163299	DECAL – DUAL DIRECTION	2	
		WESTWARD		
5	139610	DECAL – WESTWARD LH HOOD	1	
6	139611	DECAL – WESTWARD RH HOOD	1	
7	163504	DECAL – WESTWARD, FRONT OF CAB	1	
8	139818	DECAL – ULTRAGLIDE	2	
9	167727	DECAL – TRIMBLE READY	2	

82 Decals – Russian

ВАЖНО

ПОСЛЕ НАСТРОЙКИ ШИРИНЫ ЗАДНЕГО МОСТА:

1. Укажите четыре нижних болта (А)
2. Затяните восемь болтов (В) усилием 330 ф/ф (448Нм)
3. Затяните четыре болта (А) усилием 330 ф/ф (448Нм)
4. После четырех часов работы проверьте все болты ар усилием 330 ф/ф (448Нм)
5. Проверьте момент затяжки ежедневно пока не будет поставшим.

ВАЖНО

НА НОВОЙ МАШИНЕ ИЛИ ПОСЛЕ СНЯТИЯ КОЛЕС

Процедура затяжки гаек:

1. Затянуть гайки колес моментом 510Нм. Порядок затяжки – см. рисунок. **НЕ ПРЕВЫШАЙ МОМЕНТ ЗАТЯЖКИ** – это может стать причиной повреждения шпильки.
2. Повторить момент затяжки, как указано в пункте 1, дополнительно два раза.
3. Необходимо повторить пункт 1 и 2 после каждого часа эксплуатации до тех пор пока гайки не будут полностью затянуты.

*Обеспечьте, что использованы только определенные производственные гайки.

ВАЖНО

НЕ СНИМАТЬ ДО МОМЕНТА ДОСТАВКИ КОНЕЧНОМУ ПОЛЬЗОВАТЕЛЮ

НА НОВОЙ МАШИНЕ ИЛИ ПОСЛЕ СНЯТИЯ КОЛЕС

Процедура затяжки гаек:

1. Затянуть гайки колес моментом 510Нм. Порядок затяжки – см. рисунок. **НЕ ПРЕВЫШАЙ МОМЕНТ ЗАТЯЖКИ** – это может стать причиной повреждения шпильки.
2. Повторить момент затяжки, как указано в пункте 1, дополнительно два раза.
3. Необходимо повторить пункт 1 и 2 после каждого часа эксплуатации до тех пор пока гайки не будут полностью затянуты.

*Обеспечьте, что использованы только определенные производственные гайки.

ЗАКРЫТАЯ СКЛАДАВАЮЩАЯ СИСТЕМА

- Единицы радиатора под давлением – **ДЕРЖИТЕ ВПОЛНО ЗАКРЫТЫМ**
- Заполнение системы должно быть в диапазоне **от 50% до 90%**
- Поддерживайте уровень охлаждающей жидкости в радиаторе на уровне «**СЕРМА**» (1) (рис. 1)
- **ОБРАТИТЕСЬ** к Руководству по Эксплуатации для более полного понимания радиатора

ГИДРАВЛИЧЕСКАЯ СИСТЕМА ИСПОЛЬЗОВАТЬ ТОЛЬКО ВАС 15W80 МОТОРНОЕ МАСЛО

Проверить фронтальное масло количество, отсутствие влаги.

Наполните до отметки «FULL»

апробация и руководству по эксплуатации

Емкость – 54л / 17 галлонов США

1

4

5

6

11

12

13

14

15

16

ОСТОРОЖНО

При обслуживании этой машины в состоянии повышенной температуры и/или давления: избегайте контакта с горячими частями машины или с горячим маслом.

Свойства и характеристики масла	SAE	ISO-VG
Минимальная рабочая температура	20/30	68/100
Максимальная температура в зоне максимальной скорости	150	150
Максимальная температура в зоне максимальной скорости при максимальной нагрузке	170	170
Максимальная температура в зоне максимальной скорости при максимальной нагрузке при максимальной скорости	180	180
Максимальная температура в зоне максимальной скорости при максимальной нагрузке при максимальной скорости при максимальной скорости	190	190
Максимальная температура в зоне максимальной скорости при максимальной нагрузке при максимальной скорости при максимальной скорости при максимальной скорости	200	200

19

20

21

22

23

24

25

26

27

28

29

30

ВАЖНО

ТОЛЬКО ДИЗЕЛЬНОЕ Топливо

ВАЖНО

ТОЛЬКО ДИЗЕЛЬНОЕ Топливо

ХЛАДАГЕНТ 134a

Объем 1,0 кг (2,2 фунта)

КОМПРЕССОРНОЕ МАСЛО

Вязкость при 40°C: 100 мм²/с

Смазочные свойства: ISO-VG 68

ВАЖНО

Затяните 8 гаек колес на 520 футов/фунт (Левосторонние). Болты колес 1/2 дюйма (эксплуатация).

PG

MC06

Код	Наименование	Местоположение
K1	Холодильник	Воздуховод
K2	Холодильник	Воздуховод
K3	Холодильник	Воздуховод
K4	Холодильник	Воздуховод
K5	Холодильник	Воздуховод
K6	Холодильник	Воздуховод
K7	Холодильник	Воздуховод
K8	Холодильник	Воздуховод
K9	Холодильник	Воздуховод
K10	Холодильник	Воздуховод
K11	Холодильник	Воздуховод
K12	Холодильник	Воздуховод
K13	Холодильник	Воздуховод
K14	Холодильник	Воздуховод
K15	Холодильник	Воздуховод
K16	Холодильник	Воздуховод

DECALS – RUSSIAN

Ref	Part Number	Description	Qty	Serial Number
1	166324	DECAL – READ MANUAL		
2	166278	DECAL – IMPORTANT, RUSSIAN		
3	166706	DECAL – BOLT TORQUE (10 BOLT), RUSSIAN		
	166473	DECAL – BOLT TORQUE (8 BOLT), 2014 AND PRIOR		
4	166235	DECAL – WARNING		
5	166232	DECAL – CAUTION		
6	166309	DECAL – TIRE PRESSURE, RUSSIAN		
7	166233	DECAL – DANGER		
8	166276	DECAL – HYDRAULIC OIL, RUSSIAN		
9	166707	DECAL – BOLT TORQUE (10 BOLT), RUSSIAN		
	166502	DECAL – BOLT TORQUE (8 BOLT), 2014 AND PRIOR		
10	166300	DECAL – COOLANT, RUSSIAN		
11	166263	DECAL – WARNING, STEERING AND GROUND SPEED		
12	160427	DECAL – TRANSPORT		
13	166234	DECAL – WARNING, TRAIN. SEAT AND BELTS		
14	166295	DECAL – SAFETY, RUSSIAN		
15	174436	DECAL – HIGH PRESSURE FLUID (VERTICAL FORMAT)		

NOTE:

- Safety Decals – 2012 and Prior, refer to Section [78 Decals – Safety \(2012 and Prior\)](#), page 225
- Safety Decals – 2013 and Later, refer to Section [79 Decals – Safety \(2013 and Later\)](#), page 227
- Information Decals and Reflectors, refer to Section [80 Decals – Information and Reflectors](#), page 229
- Product Identification Decals, refer to Section [81 Decals – Product Identification](#), page 233

1

4

5

6

11

12

19

25

26

28

2

7

8

13

14

15

16

20

22

27

29

3

9

10

17

18

21

23

24

30

1022055

DECALS – RUSSIAN

Ref	Part Number	Description	Qty	Serial Number
16	166236	DECAL – DANGER		
17	166466	DECAL – HIGH PRESSURE FLUID		
18	166230	DECAL – WARNING, BATTERY EXPLOSION		
19	139015	DECAL – GVW, M150/M200 RUSSIAN		
20	166264	DECAL – STEERING CONTROL		
21	166296	DECAL – IMPORTANT DIESEL, RUSSIAN		
22	183181	DECAL – REFRIGERANT/OIL, RUSSIAN		
23	166308	DECAL – TORQUE WHEEL BOLTS (10 X 16 CASTORS)		
25	166323	DECAL – HEADER LOCK, RH, RUSSIAN		
26	166322	DECAL – HEADER LOCK, LH, RUSSIAN		
27	166325	REFLECTOR – RED		
28	139725	DECAL – LATCH HANDLE		
29	166326	REFLECTOR – WHITE		
30	183852	DECAL – FUSE BLOCK, RUSSIAN ¹³³		321190–
	183563	DECAL – FUSE BLOCK, RUSSIAN ¹³⁴		266820– 321189
	166388	DECAL – FUSE BLOCK, RUSSIAN ¹³⁵		–266819

NOTE:

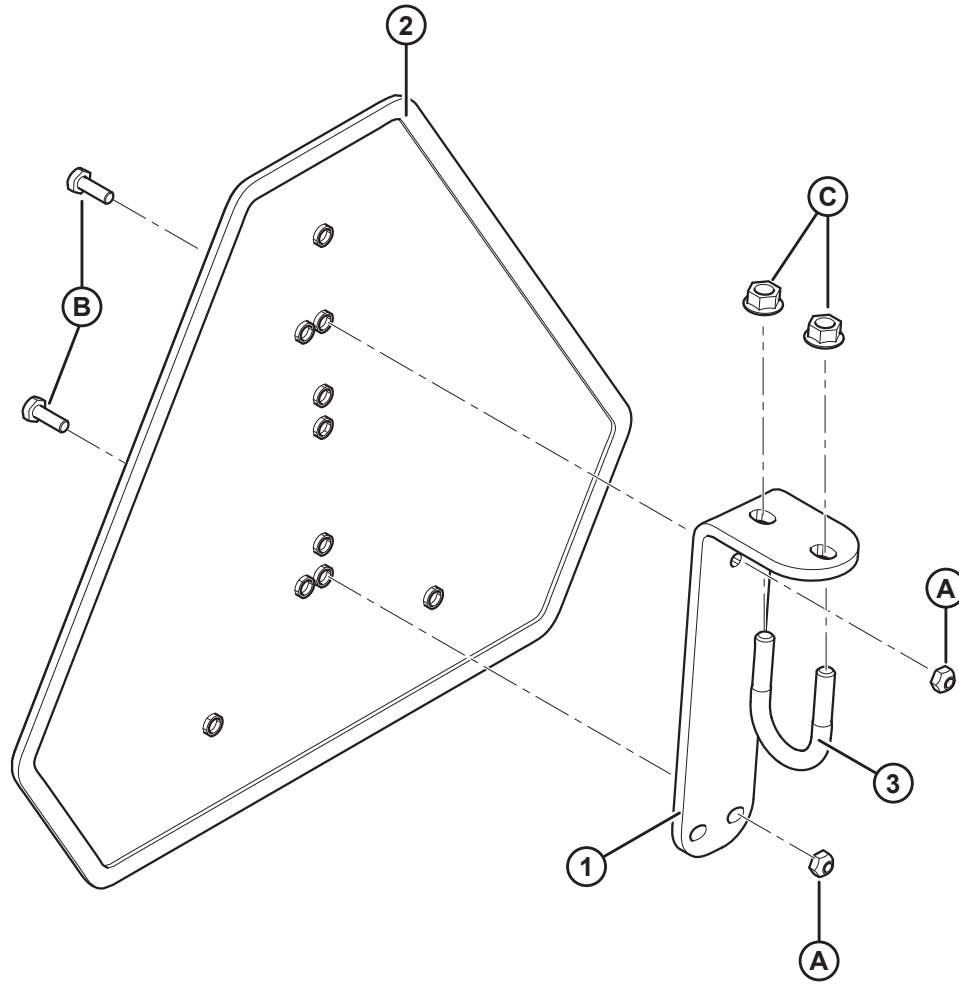
- Safety Decals – 2012 and Prior, refer to Section *78 Decals – Safety (2012 and Prior)*, page 225
- Safety Decals – 2013 and Later, refer to Section *79 Decals – Safety (2013 and Later)*, page 227
- Information Decals and Reflectors, refer to Section *80 Decals – Information and Reflectors*, page 229
- Product Identification Decals, refer to Section *81 Decals – Product Identification*, page 233

133. Service part only for units made in 2018 and later.

134. Service part only for units made in 2015 to 2017.

135. Service part only for units made prior to 2015.

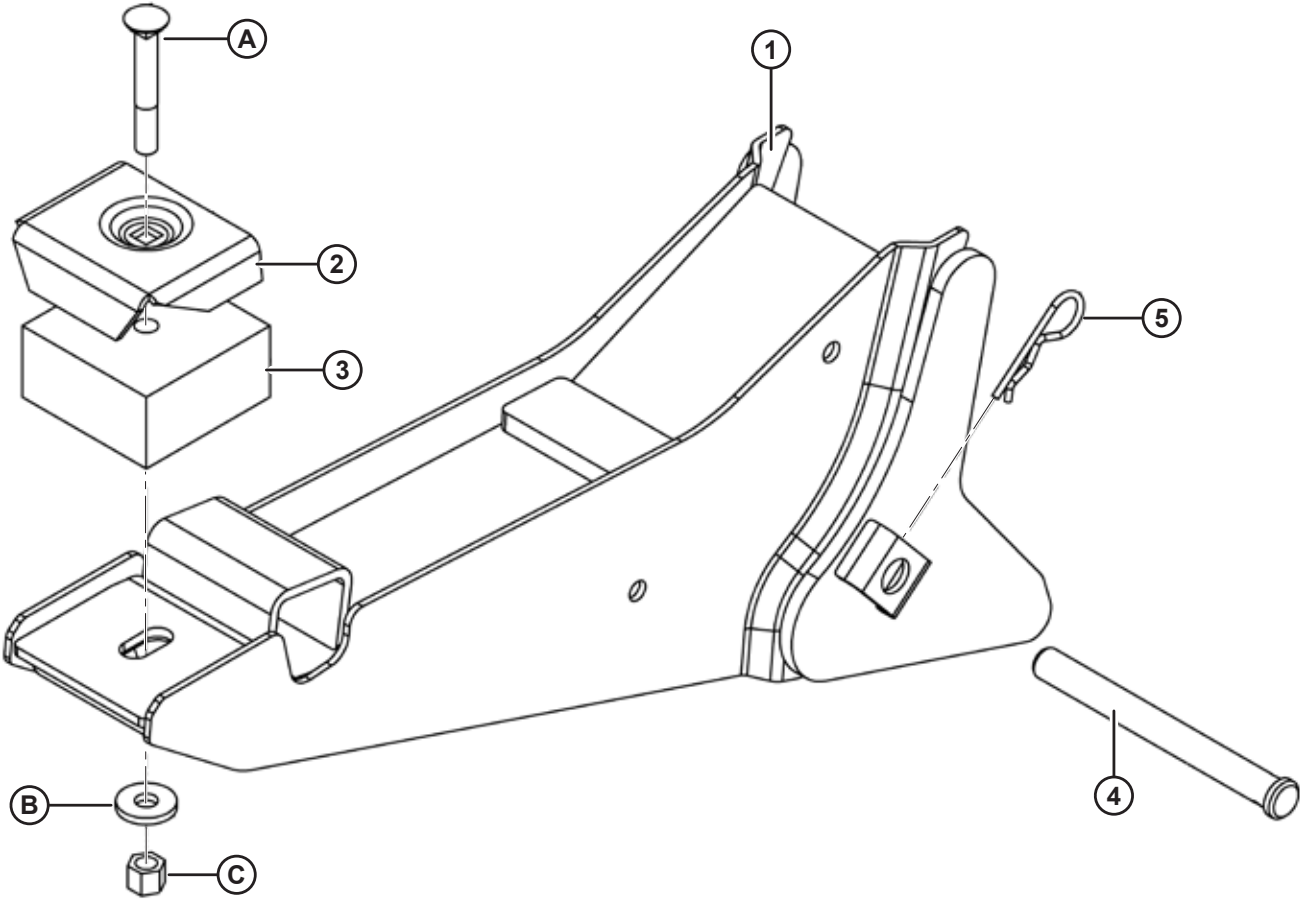
83 Slow Moving Vehicle (SMV) Reflector



SLOW MOVING VEHICLE (SMV) REFLECTOR

Ref	Part Number	Description	Qty	Serial Number
1	138281	SUPPORT – SMV	1	
2	135378	REFLECTOR – SMV	1	
3	112973	U-BOLT	1	
A	18724	NUT – HEX LOCK DT 1/4-20 UNC ZP		
B	21566	BOLT – HEX HD 1/4 NC X 0.75 LG GR 5 ZP		
C	30228	NUT – FLG DT SMOOTH FACE 0.375-16 UNC		

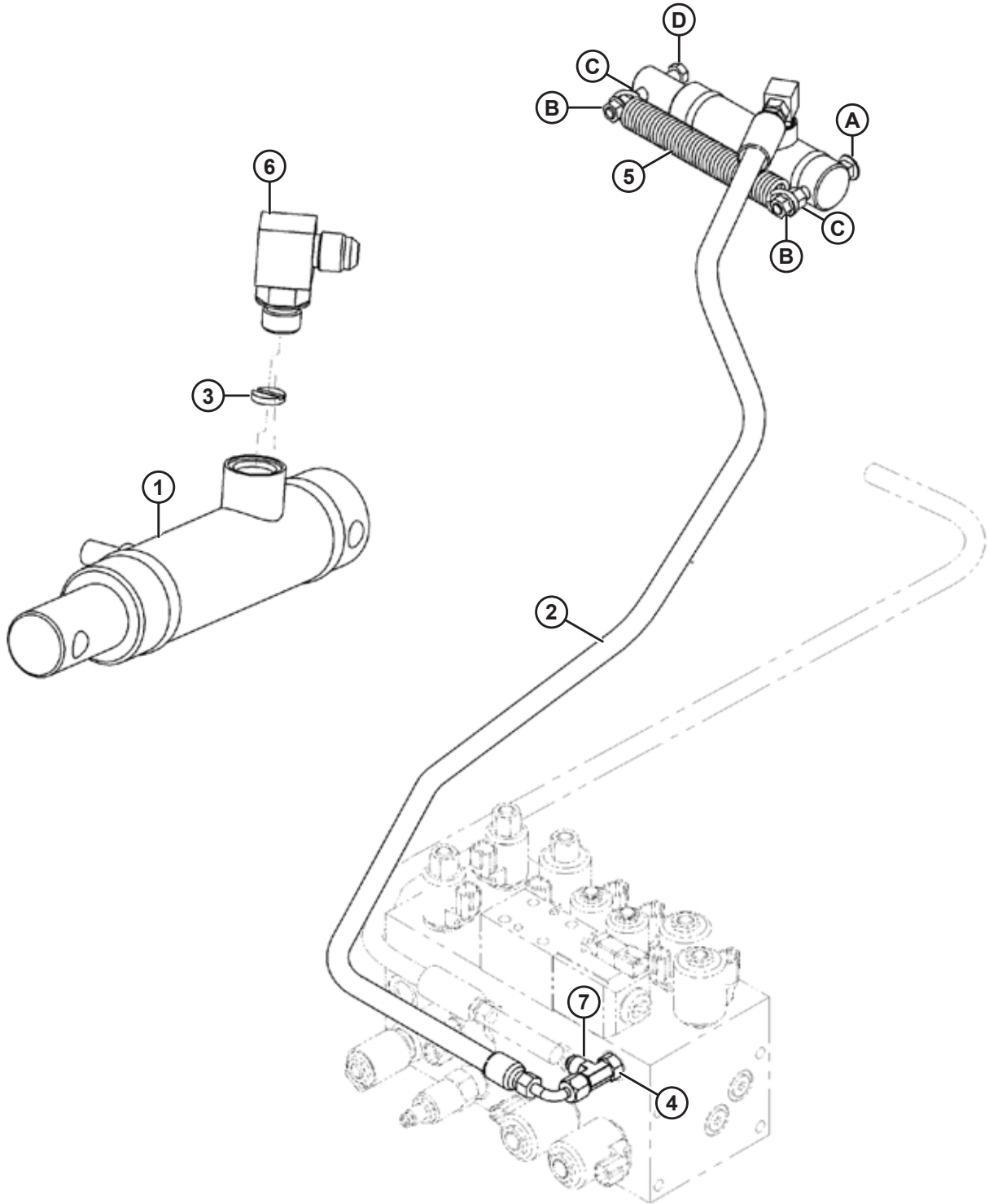
84 Draper Header Supports



DRAPER HEADER SUPPORTS

Ref	Part Number	Description	Qty	Serial Number
1	163088	SUPPORT – DRAPER HEADER, WELDT	2	
2	44575	SUPPORT – PLATE, FOR ISOLATION BLOCK	2	
3	42498	PAD – RUBBER	2	
4	135408	PIN – CLEVIS	2	
5	13125	PIN – HAIR	2	
A	30849	BOLT – RHSN 1/2 NC X 3.5 LG GR 5 ZP		
B	4761	WASHER – FLAT		
C	21389	NUT – HEX LOCK .500-13 UNC		

85 Center-Link Cylinder Lift Kit

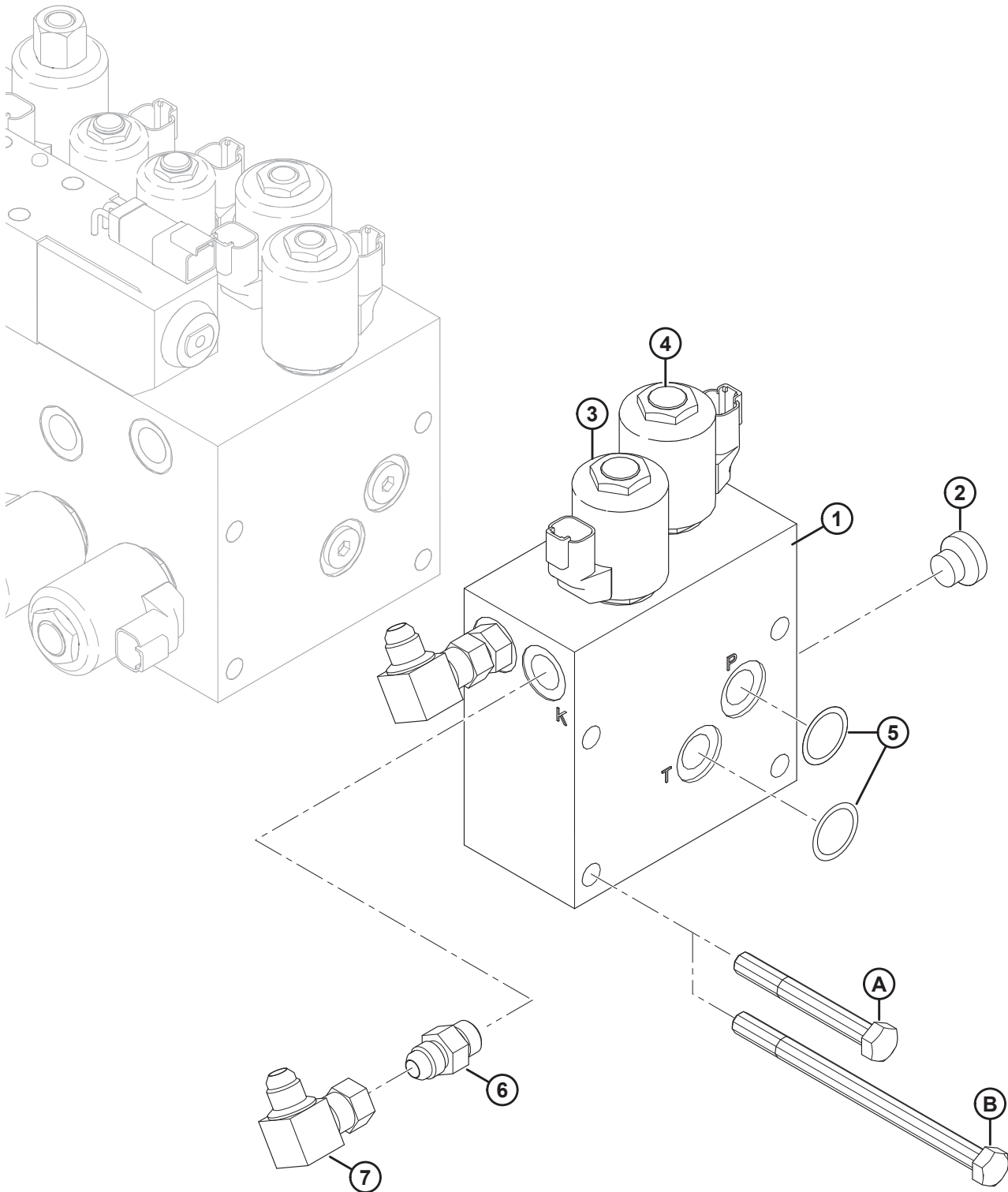


CENTER-LINK CYLINDER LIFT KIT

Ref	Part Number	Description	Qty	Serial Number
	B4802	KIT – CENTER-LINK LIFT ¹³⁶		
1	111599	CYLINDER – HYDRAULIC	1	
	166171	SEAL KIT		
2	111780	HOSE – HYD, 1/4 IN. I.D., 1200 MM LG, METAL REIN.	1	
3	111834	RESTRICTOR	1	
4	15903	FITTING – CONNECTOR HYD	1	
5	110977	SPRING – EXTENSION	1	
6	30282	FITTING – ELBOW 90° HYD	1	
7	30286	FITTING – TEE HYD STR THD RUN TEE C/W O-RING	1	
A	30307	BOLT – RHSN 3/8 NC X 2.5 LG GR 5 ZP		
B	30228	NUT – FLG DT SMOOTH FACE 0.375-16 UNC		
C	18590	NUT – HEX, 3/8 NC		
D	30035	BOLT – RHSN 3/8 NC X 2.75 LG GR 5 ZP		

136.Kits available through Whole Goods only.

86 Auxiliary Lift Valve



AUXILIARY LIFT VALVE

Ref	Part Number	Description	Qty	Serial Number
	B5269	KIT – AUXILIARY VALVE KIT ¹³⁷		
1	139974	ASSY – VALVE BLOCK AUX LIFT (REEL FORE-AFT DWA) ¹³⁸	1	
2	167762	FITTING – ZINC NICKEL SAE #06, 9/16-18 UN 2A	1	
3	163143	VALVE – SOLENOID (FOR 5/8 IN. VALVE STEM)	1	
	163154	COIL – TOUGH		
	163191	NUT – SPECIAL		
	163160	SEAL KIT		
4	163142	VALVE – SOLENOID	1	
	163155	COIL – TOUGH		
	49846	SEAL KIT		
	163190	NUT – SPECIAL		
5	163184	O-RING – .813 IN. I.D., 1 IN. O.D.	2	
6	15903	FITTING – CONNECTOR HYD	2	
7	106717	FITTING – ELBOW 90° HYD	2	
A	21568	BOLT – HH 3/8 NC X 3.0 LG GR 5 ZP ¹³⁹		
B	10948	BOLT – HH 3/8 NC X 5.5 LG GR 5 ZP ¹⁴⁰		

NOTE:

Depending on your unit, you may have more than one valve block installed. Quantities listed are per block.

NOTE:

Confirm coil configuration before ordering parts.

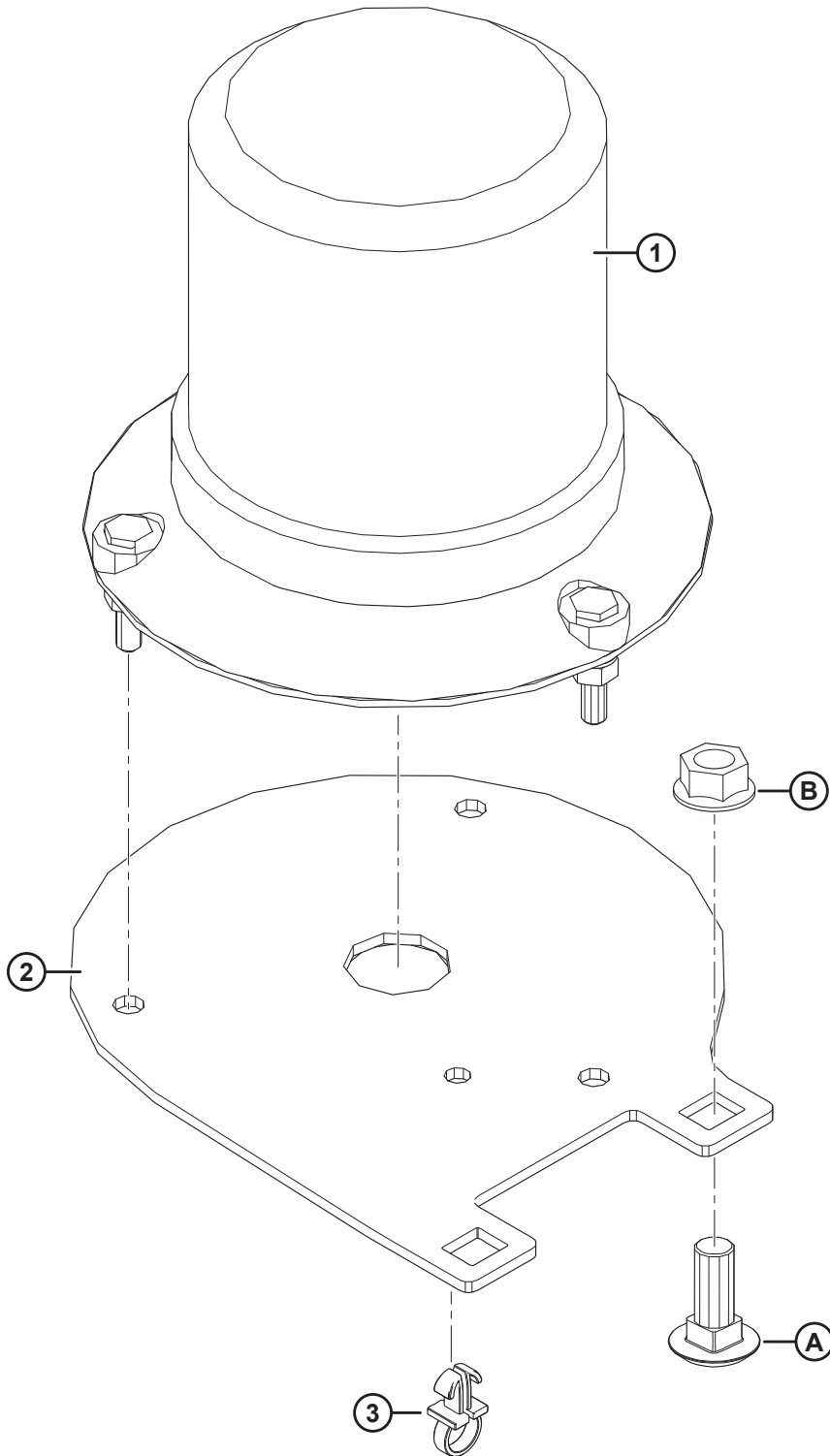
137. Kits available through Whole Goods only.

138. Includes fitting (MD #136156), valve (MD #163143), coil (MD #163154), and O-ring (MD #163184). Previously was MD #110575. See Service Bulletin SB1210 regarding required software update.

139. Used with one block.

140. Used with two blocks.

87 Warning Beacon



WARNING BEACON

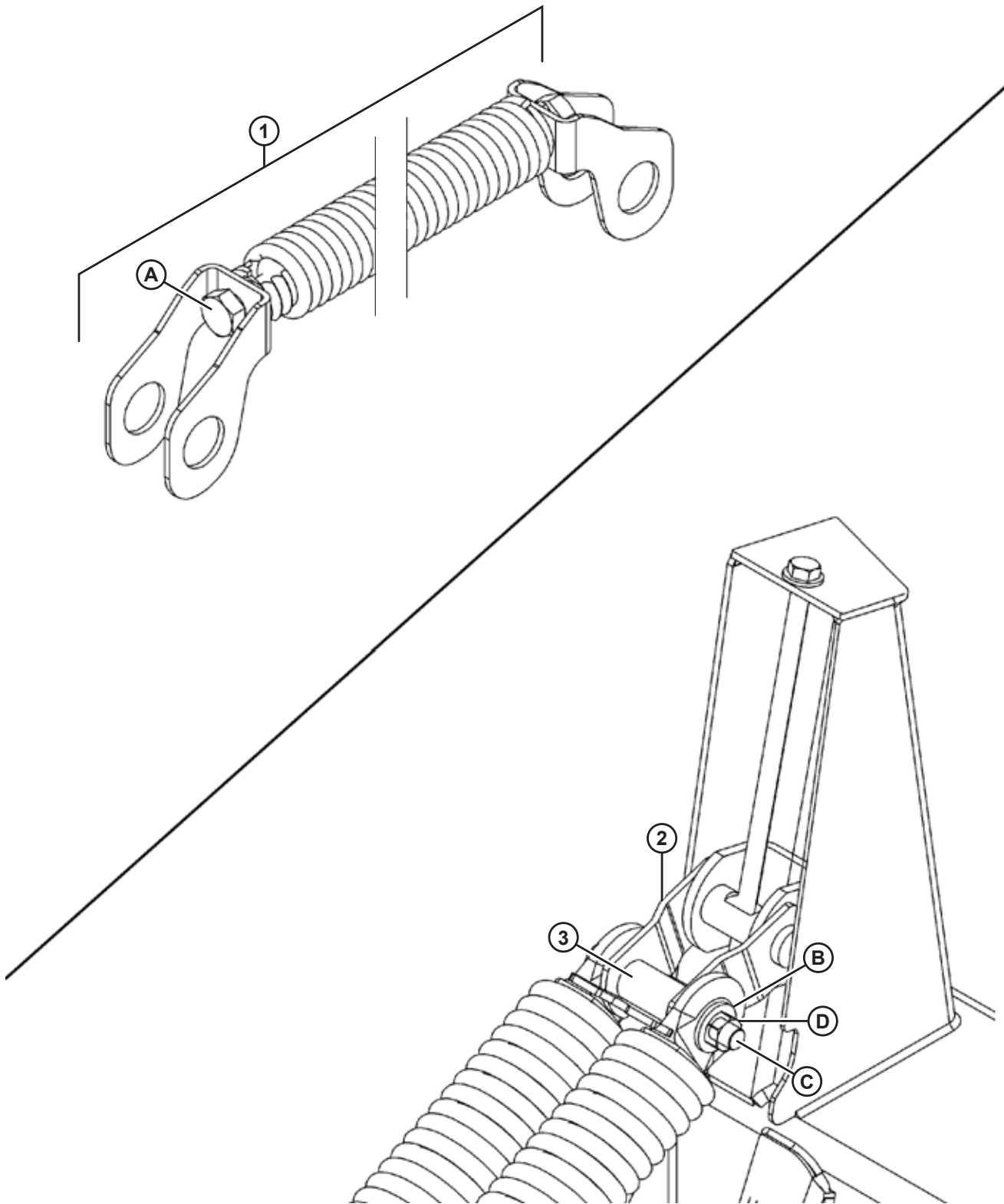
Ref	Part Number	Description	Qty	Serial Number
	B5582	KIT – WARNING BEACON, 5 SERIES ¹⁴¹		
1	167884	LIGHT – BEACON, LED ¹⁴²	2	
	160378	LENS – AMBER ¹⁴³		
	160379	BULB – H1, 12V, 55W ¹⁴³		
2	138269	SUPPORT – BEACON	2	
3	30542	FASTENER – NYLON CLIP (BLACK)	2	
A	19965	BOLT – RHSN 3/8 NC X 1.0 GR 5 ZP		
B	30228	NUT – FLG DT SMOOTH FACE 0.375-16 UNC		

141. Kits available through Whole Goods only.

142. Model year 2017 and later, previously was warning beacon lamp MD #160374. Replace damaged warning beacon lamp MD #160374 with LED beacon light MD #167884. Comes complete with mounting hardware and gasket.

143. Replacement part for warning beacon lamp MD# 160374 used on model year 2016 and prior. Replace damaged warning beacon lamp MD# 160374 with LED beacon light MD #167884.

88 Auxiliary Springs



1013701

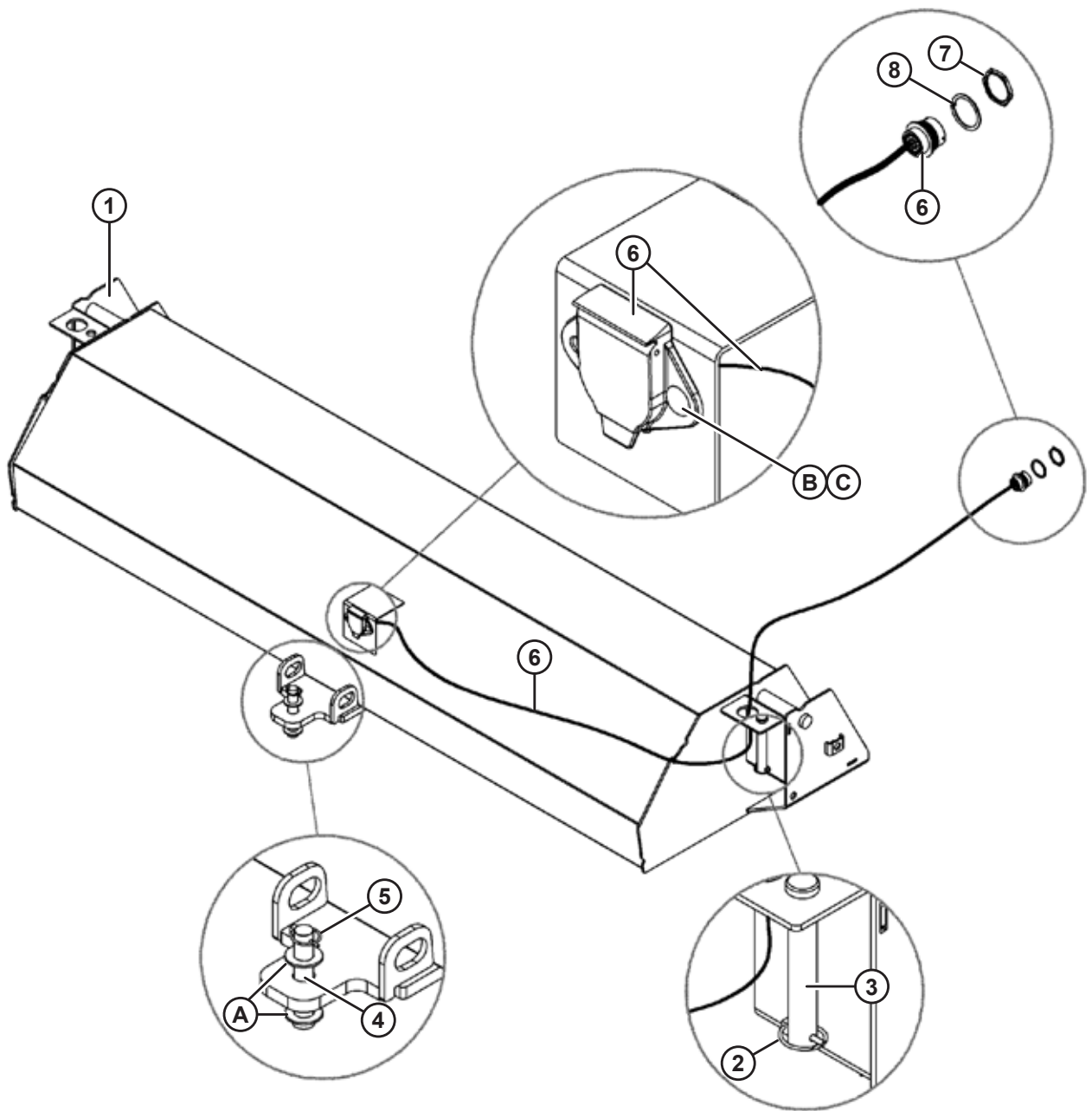
AUXILIARY SPRINGS

Ref	Part Number	Description	Qty	Serial Number
	B4659	KIT – TRACTOR BOOSTER SPRING ¹⁴⁴		
1	112914	ASSEMBLY – AUXILIARY SPRING ¹⁴⁵	2	
A	NSS	BOLT – HH 3/4 NC X 1.5 LG GR 5 BLK		
	B4664	KIT – LIGHT HEADER ¹⁴⁴		
2	166202	SUPPORT – SPRING	2	
3	112225	TUBE – PIVOT SUSPENSION	2	
B	25689	WASHER – FLAT		
C	30743	BOLT – HH 3/4 NC X 6.0 LG GR 5 ZP		
D	102636	NUT – HEX DT .750-10 UNC		

144. Kits available through Whole Goods only.

145. Complete assembly.

89 Weight Box



WEIGHT BOX

Ref	Part Number	Description	Qty	Serial Number
	B5238	KIT – WEIGHT BOX (C/W CONCRETE FILL) ¹⁴⁶		
	B5240	KIT – WEIGHT BOX (LESS CONCRETE) ¹⁴⁷		
	B5280	KIT – WIRING HARNESS FOR WEIGHT BOX ¹⁴⁸		
1	122080	FRAME – WEIGHT BOX WELDMENT	1	
2	102264	PIN – LYNCH 3/16 X 1-9/16 IN.	2	
3	112752	PIN – CLEVIS	2	
4	49341	PIN – CLEVIS	1	
5	102264	PIN – LYNCH 3/16 X 1-9/16 IN.	1	
6	122090	HARNESS – TRANSPORT ADAPTER ¹⁴⁹	1	
7	134010	NUT – PANEL	1	
8	134011	WASHER – LOCK SPRING	1	
A	18603	WASHER – SAE FLAT 1-1/16 I.D. X 2.0 IN. O.D. ZP		
B	21281	BOLT – RHSN 5/16 NC X 0.75 GR 5 ZP		
C	30280	NUT – FLG SIDE LK SMTH FACE 5/16 NC GR 5 ZP		

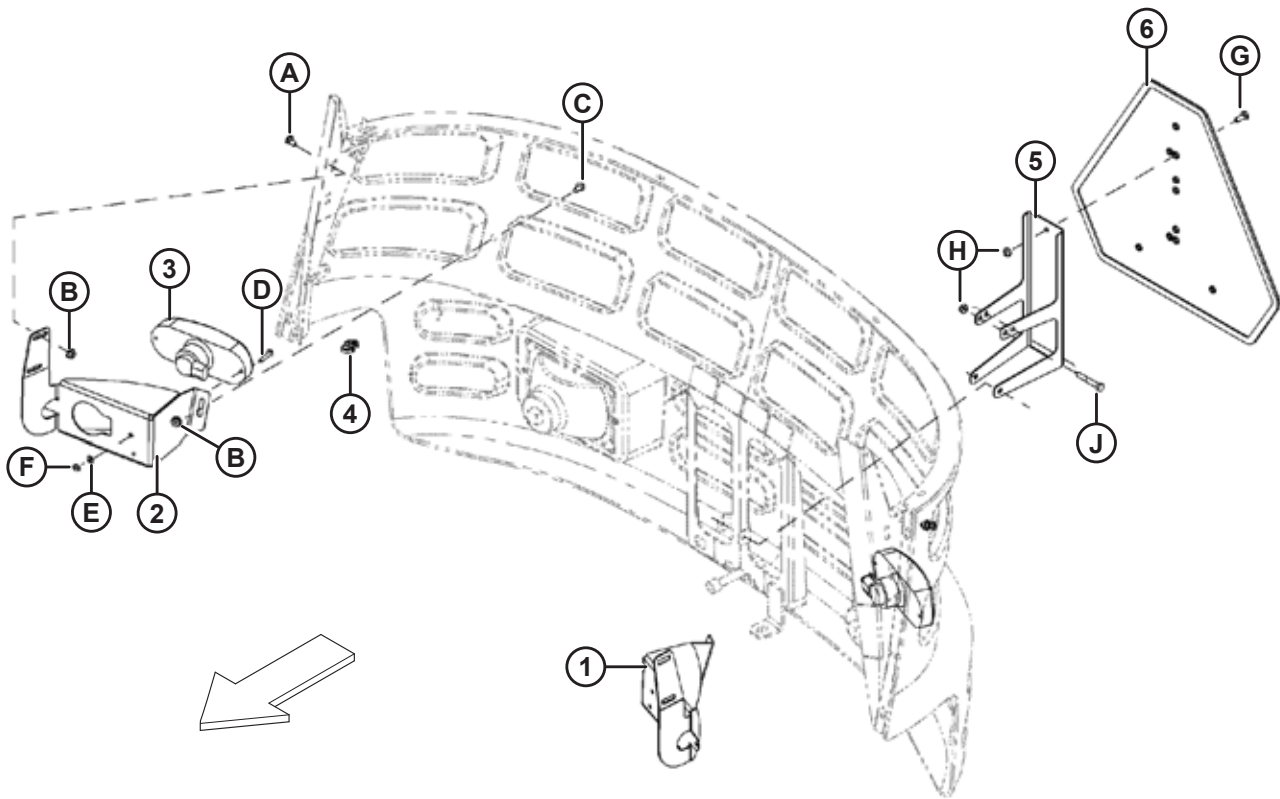
146.Kits available through Whole Goods only.

147.For export orders, order Weight Box Less Concrete (MD #B5240). Weight box must be filled with concrete at destination as per supplied instructions. Kits available through Whole Goods only.

148.Includes lynch pin (MD #102264). Kits available through Whole Goods only.

149.Includes panel nut (MD #134010) and washer (MD #134011).

90 Lighting and Marking for Cab-Forward Travel

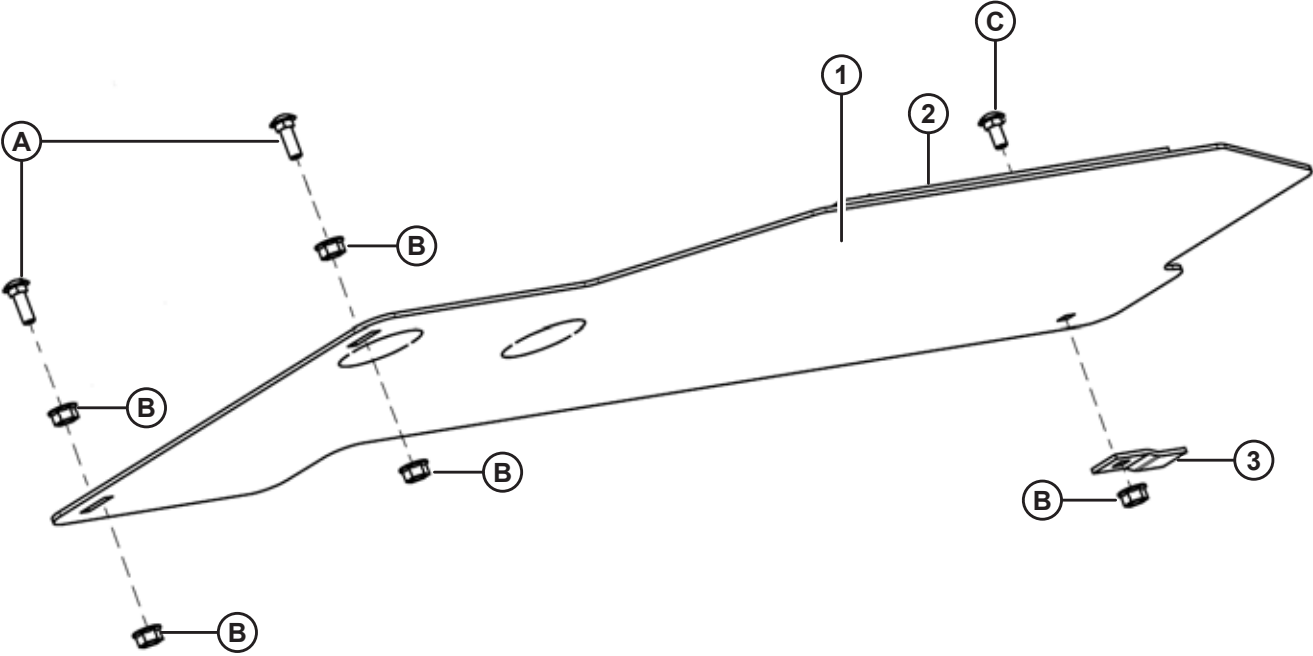


LIGHTING AND MARKING FOR CAB-FORWARD TRAVEL

Ref	Part Number	Description	Qty	Serial Number
	B5412	KIT – LIGHTING AND MARKING FOR CAB-FORWARD TRAVEL ¹⁵⁰		
1	183021	HOLDER – LH TAIL LIGHT BRACKET	1	
2	183022	HOLDER – RH TAIL LIGHT BRACKET	1	
3	134079	LIGHT – RED	2	
4	50109	CLIP – PLASTIC	3	
5	161106	SUPPORT – SMV	1	
6	135378	REFLECTOR – SMV	1	
A	21926	BOLT – RHSN 1/4 NC X 0.5 GR 5 ZN PL		
B	21455	NUT – FLG (SER FACE) 1/4 NC GR 5 ZN PL		
C	18579	SCREW – MACHINE 1/4-20 UNC X 0.75 IN. PHILLIPS PAN HD		
D	5144	SCREW – MACH PHILLIPS TRUSS HD #10-24 UNC X 1.25 IN.		
E	18798	WASHER – FLAT SAE 7/32 I.D. X 7/16 IN. O.D. ZN PL		
F	18707	NUT – HEX LOCK DT #10-24 UNC ZN PL		
G	21572	BOLT – HEX HD 1/4 NC X 0.625 LG GR 5 ZN PL		
H	18724	NUT – HEX LOCK DT 1/4-20 UNC ZN PL		
J	21570	BOLT – HH 1/4 NC X 2.0 LG GR 5 ZN PL		

150.Kits available through Whole Goods only.

91 Fan Air Baffle Kit

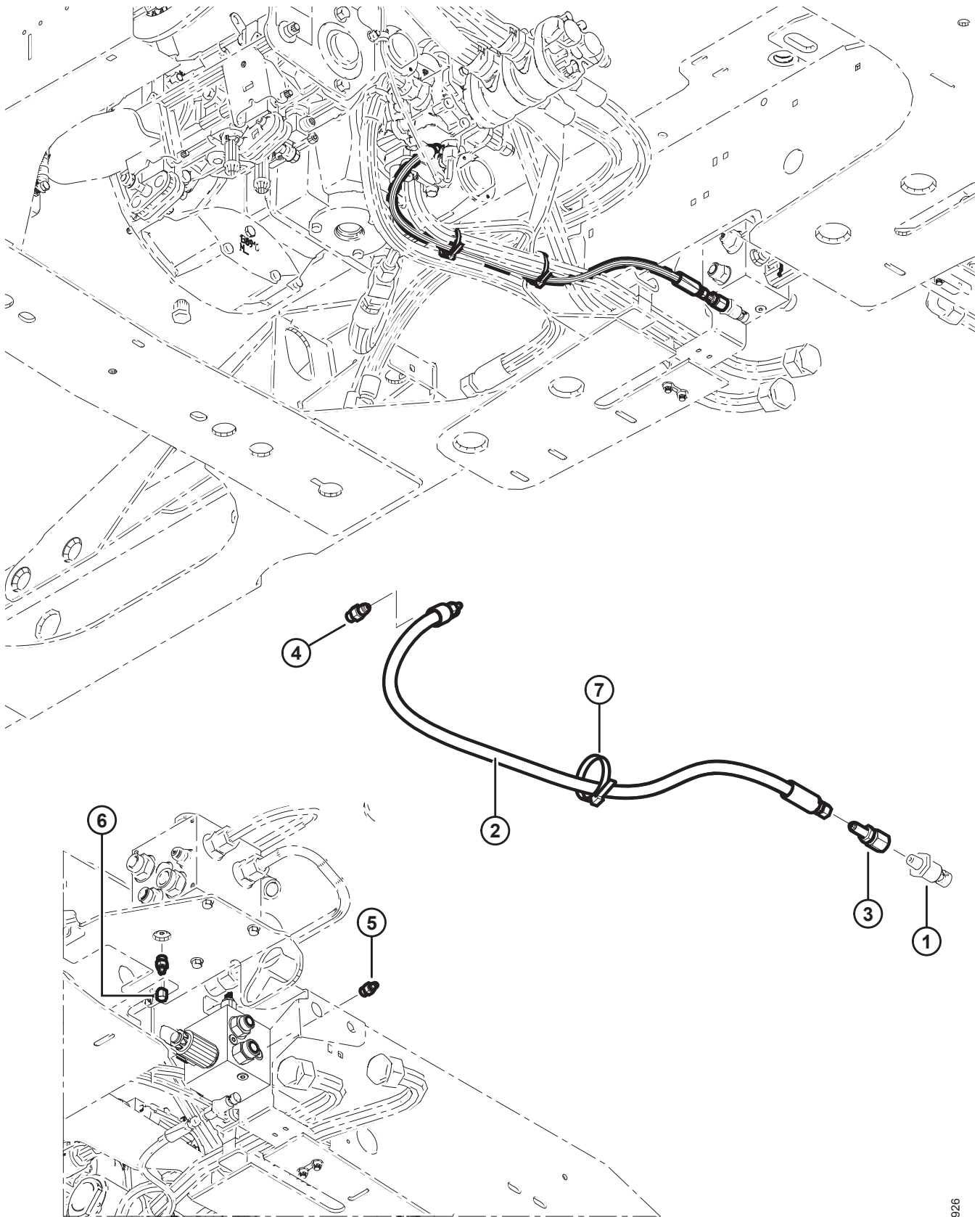


FAN AIR BAFFLE KIT

Ref	Part Number	Description	Qty	Serial Number
	B5440	KIT – FAN AIR BAFFLE ¹⁵¹		
1	138465	BAFFLE – FAN AIR C/W SEAL	1	
2	138464	SEAL – FOAM, 6 X 13 X 300 MM LG	1	
3	138238	TAB – UNDER TRAY MOUNTING	1	
A	21282	BOLT – RHSN 5/16 NC X 1.0 GR 5 ZP		
B	30280	NUT – FLG (SMTH FACE) 5/16 NC SIDE LK GR 5 ZP		
C	21281	BOLT – RHSN 5/16 NC X 0.75 GR 5 ZP		

151.Kits available through Whole Goods only.

92 Pressure Sensor Kit

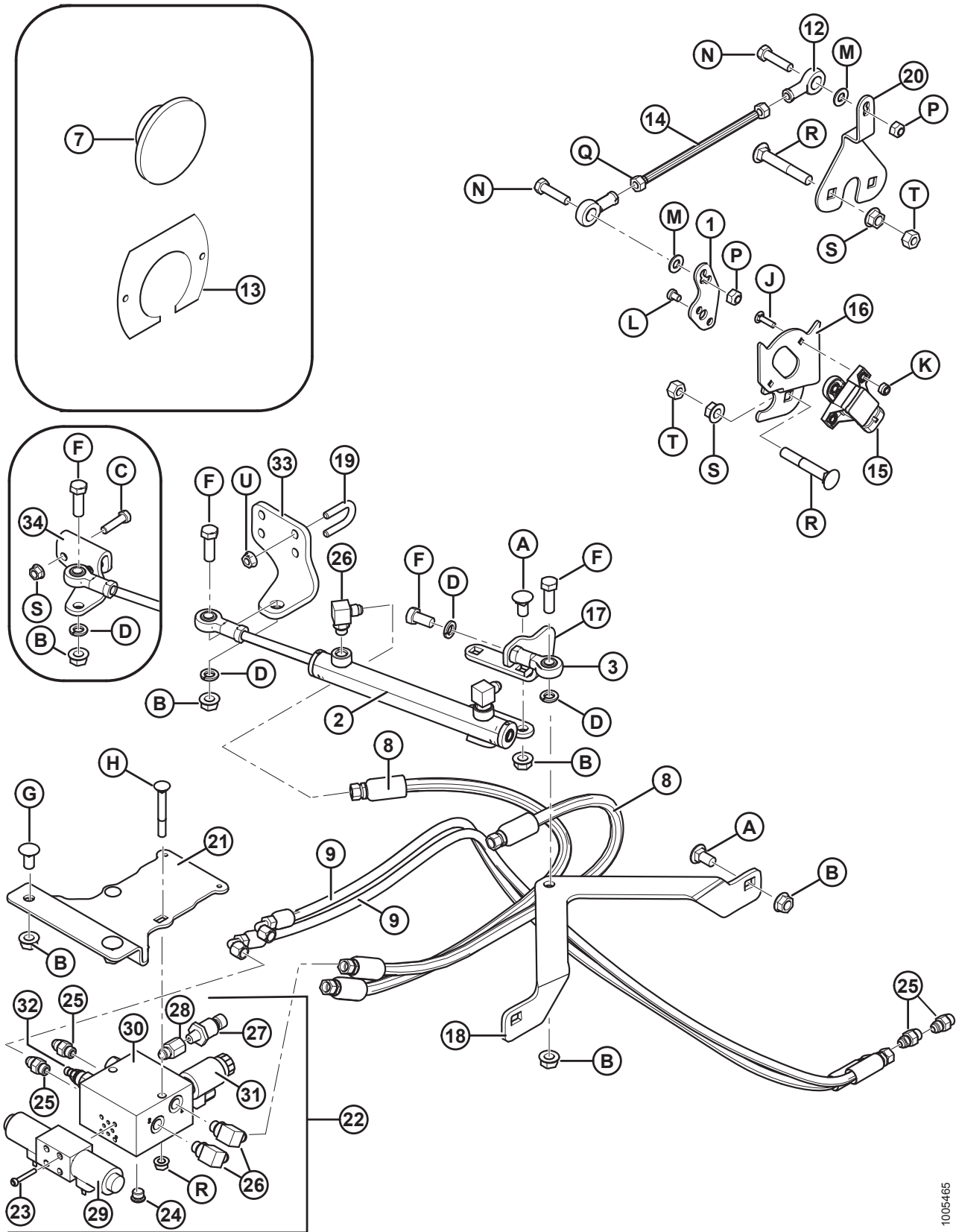


PRESSURE SENSOR KIT

Ref	Part Number	Description	Qty	Serial Number
	B5574	KIT – PRESSURE SENSOR ¹⁵²		
1	111634	SENDER – PRESSURE, 5000 PSI	1	
2	139154	HOSE – HYD, 1/4 IN. I.D., 850 MM LG, METAL REIN.	1	
3	135874	FITTING – ADAPTER	1	
4	112184	FITTING – ADAPTER HYD	1	
5	30524	FITTING – ADAPTER HYD	1	
6	30642	CAP – 1/4 IN. TUBE	1	
7	30753	FASTENER – CABLE TIE, BLACK, 305 MM LG	2	
	21763	FASTENER – CABLE TIE, BLACK, 160 MM LG (NOT ILLUSTRATED)	3	

152.Kits available through Whole Goods only.

93 Hydraulic Autosteer

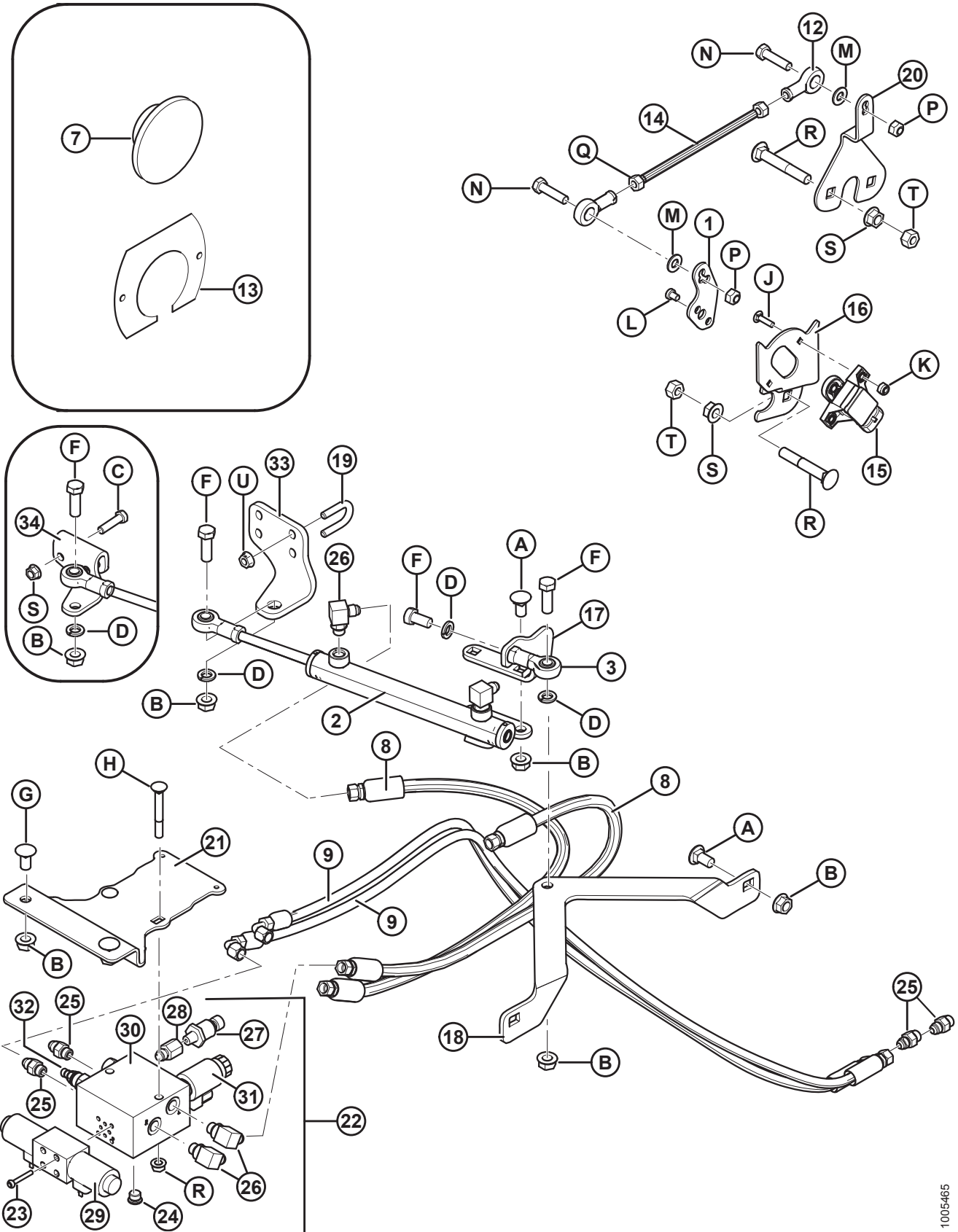


HYDRAULIC AUTOSTEER

Ref	Part Number	Description	Qty	Serial Number
	B5589	KIT – AUTOSTEER HYDRAULIC INTERFACE ¹⁵³		
1	173155	ARM – LINKAGE	1	
2	208650	CYLINDER – THROUGH ROD	1	
	173575	SEAL KIT		
3	30083	JOINT – BALL	1	
7	173139	GROMMET	3	
8	173547	HOSE – HYD, 3/8 IN. I.D., 800 MM LG, METAL REIN.	2	
9	173222	HOSE – HYD, 1/4 IN. I.D., 1200 MM LG, METAL REIN.	2	
12	109312	JOINT – BALL, 5/16 IN. FEMALE	2	
13	173140	PLATE – COVER	1	
14	173113	ROD – LINK	1	
15	173091	SENDER – ROTARY POSITION	1	
16	173170	SUPPORT – SENSOR MOUNT	1	
17	173208	SUPPORT – CYLINDER BALL JOINT	1	
18	173016	SUPPORT – CYLINDER BASE	1	
19	166469	U-BOLT – 1/4 X 20 NC 0.5 LG ZP GR 5	2	
20	173115	SUPPORT – LINKAGE MOUNT	1	
21	173006	SUPPORT – MANIFOLD	1	
22	173066	VALVE – STEERING MANIFOLD ASSEMBLY	1	
23	173117	BOLT	4	
24	100577	PLUG – HEX SOCKET 0.8 X 35 LG ZP	1	
25	15903	FITTING – ADAPTOR	2	
26	30282	FITTING – ELBOW	2	
27	173116	SENSOR – PRESSURE 500 PSI	1	
28	53157	FITTING – ADAPTOR C/W O-RING	1	
29	173029	VALVE – STEERING MANIFOLD	1	
	173562	COIL		
	173563	RETAINER		
	173564	SEAL KIT		

153.Kits available through Whole Goods only.

HYDRAULIC AUTOSTEER



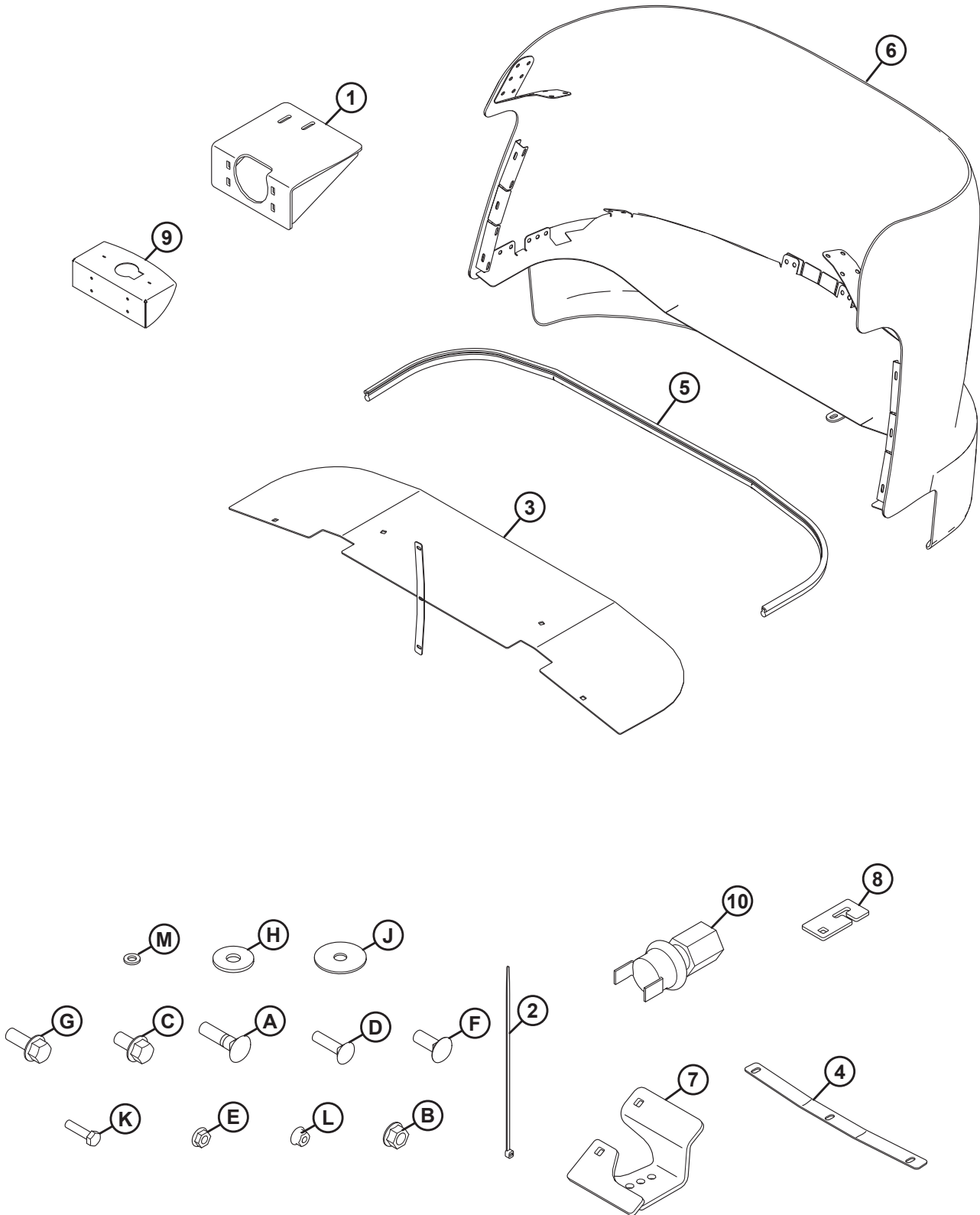
1005465

HYDRAULIC AUTOSTEER

Ref	Part Number	Description	Qty	Serial Number
30	173118	VALVE – STEERING MANIFOLD ASSY	1	
31	173590	VALVE – DIRECTIONAL	1	
	173561	COIL		
	173560	SEAL KIT		
32	173040	VALVE – PRESSURE REDUCING/RELIEF	1	
	173559	SEAL KIT		
33	166468	SUPPORT – CYLINDER END (2013 AND LATER)	1	
34	NSS	SUPPORT – CYLINDER END (2012 AND PRIOR) ¹⁵⁴	1	-229509
A	21066	BOLT – RHSN 1/2 NC X 1 GR 5 ZP		
B	50186	NUT – FLG LOCK SMTH FACE DT 0.500-13 UNC GR 5		
C	21561	BOLT – HH 3/8 NC X 1.5 LG GR 5 ZP		
D	18638	WASHER – REG. LOCK 1/2 IN. NOM. I.D. ZP		
F	18723	BOLT – HH 1/2 NC X 1.5 LG TFL GR 5 ZP		
G	21868	BOLT – RHSSN 1/2 NC X 1.0 GR 5 ZP		
H	30307	BOLT – RHSN 3/8 NC X 3.0 LG GR 5 ZP		
J	158722	BOLT – RHSN #10-24 NC X 3/4 GR.2 ZP		
K	105197	NUT – HEX LOCK .187-24 UNC		
L	158704	SCREW – PHILIPS PAN HD M6 X 1.0 X 8 MM LG		
M	18597	WASHER – SAE FLAT 11/32 I.D. X 11/16 IN. O.D. ZP		
N	21526	BOLT – HH 5/16 NC X 1.25 LG GR 5 ZP		
P	18690	NUT – HEX LOCK DT 5/16-18 UNC ZP		
Q	20214	NUT – HEX 5/16-24 UNF GR 5 ZP		
R	21478	BOLT – RHSN 3/8 NC X 2.5 LG GR 5 ZP		
S	30228	NUT – FLG DT SMTH FACE 0.375-16 UNC		
T	18590	NUT – HEX 3/8-16 UNC GR 5 ZP		
U	135248	NUT – FLG DT SMTH FACE 1/4 x 20 NC 0.5 LG ZP GR 5		

154. Cylinder end support shown is no longer serviceable. To replace part, order support (MD #166468).

94 Scoop Kit



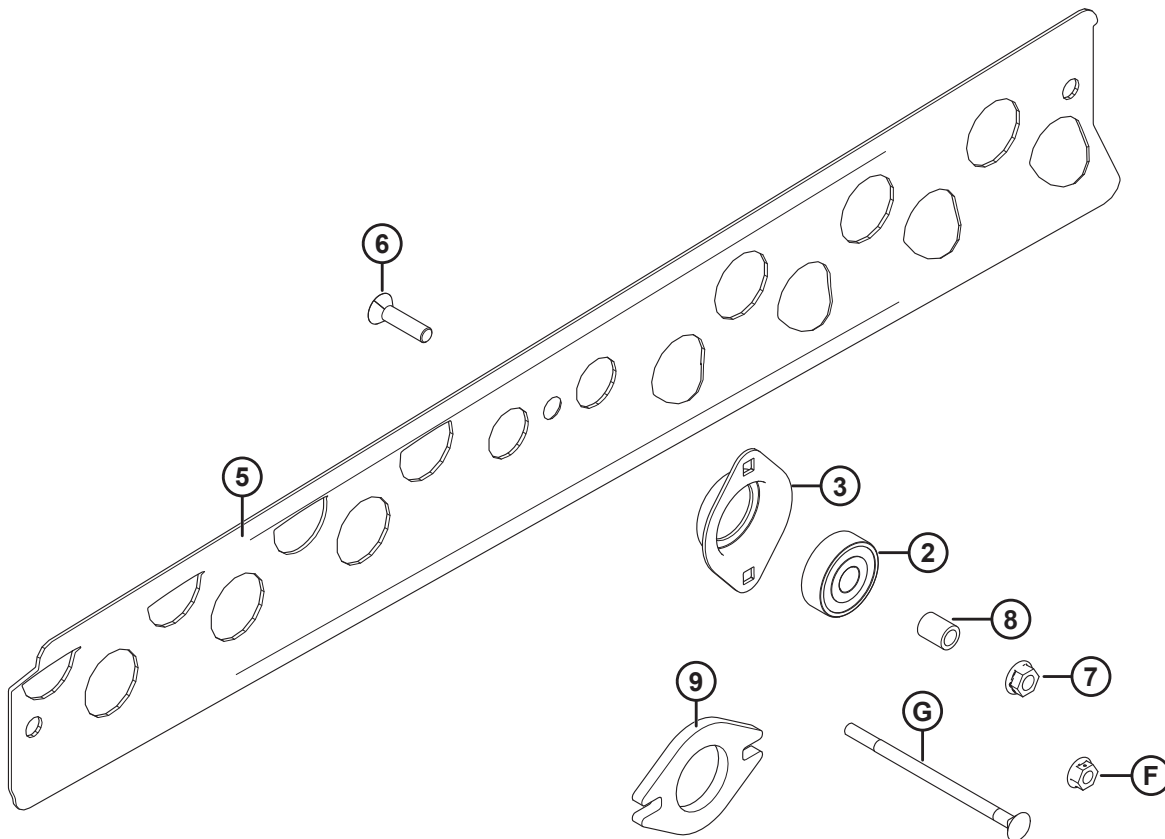
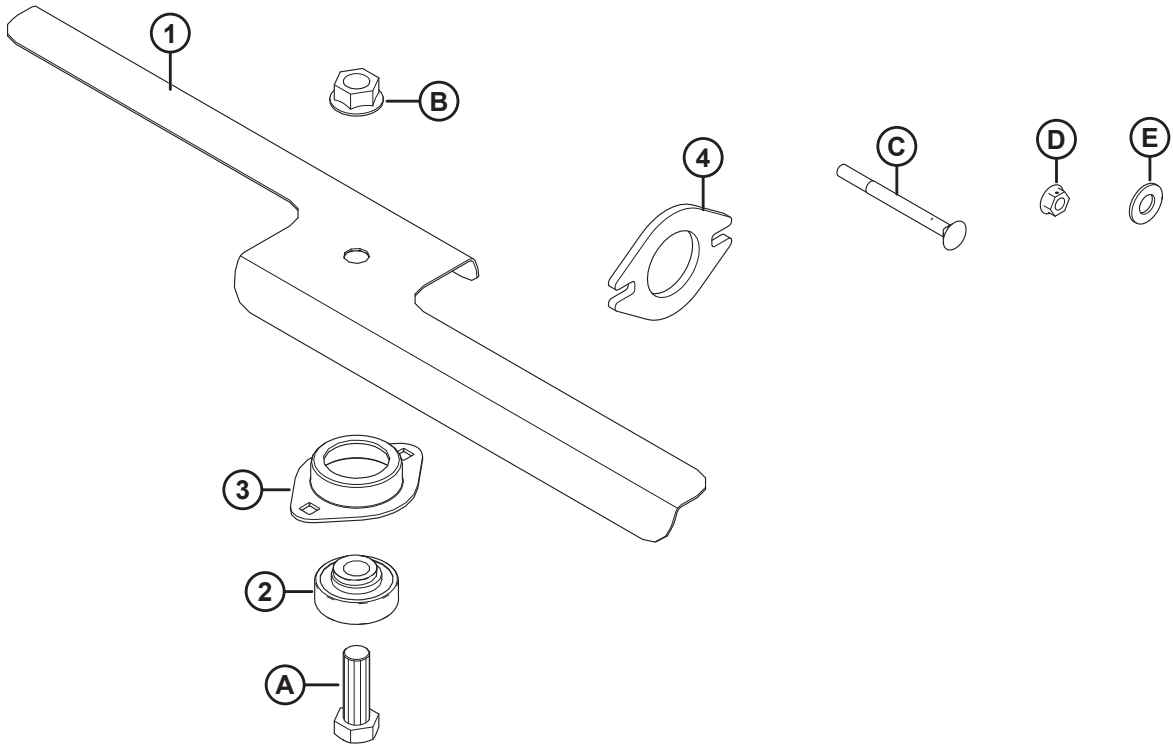
SCOOP KIT

Ref	Part Number	Description	Qty	Serial Number
	B5805	KIT – SCOOP ¹⁵⁵		
1	139912	LATCH MOUNT EXTENSION WELDMENT	1	
2	16661	FASTENER – NYLON TIE 140/165 MM LG	8	
	30753	FASTENER – CABLE TIE, BLACK, 305 MM LG	3	
3	139991	COOLER BOX PAN	1	
4	139904	PLATE – SCOOP REINFORCEMENT	2	
5	167418	SEAL – SCOOP	1	
6	139891	SCOOP – ASSEMBLY	1	
7	167416	ANCHOR WELDMENT – LH HOODLIFT CYLINDER	1	
	167417	ANCHOR WELDMENT – RH HOODLIFT CYLINDER	1	
8	167440	TAB – STRAP HOLDER	1	
9	183194	HOLDER – TAIL LITE BRACKET SCOOP KIT	2	
	183180	KIT – HIGH PRESSURE SWITCH ¹⁵⁶	1	
10	183199	SWITCH – AIR COND HIGH	1	
11	183195	ANGLE – LH RAD/HOOD SEAL	1	
	183196	ANGLE – RH RAD/HOOD SEAL	1	
	183179	DECAL – REFRIGERANT/OIL (NOT ILLUSTRATED)	1	
A	21484	BOLT – RHSN 3/8 IN. X 1.5 IN.		
B	30228	NUT – FLG LOCK 3/8 IN.		
C	21821	BOLT – HH FLG SER 3/8 IN. X 0.75 IN.		
D	135623	BOLT – RHSN 1/4 IN. X 1.25 IN.		
E	21455	NUT – FLG SER 1/4 IN.		
F	100456	BOLT – RHSSN 3/8 IN. X 1 IN.		
G	135966	BOLT – HH FLG 3/8 IN. X 1 IN.		
H	184712	WASHER – FENDER M10 X 30 MM X 2.5 MM		
J	160202	WASHER – RUBBER 38 MM X 9.5 MM X 1.6 MM		
K	135301	BOLT – HEX HD M6 X 1 X 25-8.8-A2L		
L	152668	NUT – HEX FLG CTR LOC M6 X 1-8-A2L		
M	184705	WASHER – FLAT M6-200HV-A2L		

155.Kit available through Whole Goods only.

156.Includes high pressure switch (MD #183199), refrigerant decal (MD #183179), and instructions.

95 Sweeps Kit



SWEEPS KIT

Ref	Part Number	Description	Qty	Serial Number
	B6422	KIT – PRE-CLEANER AND SWEEP ¹⁵⁷		
		CAC SWEEP		
	167434	SWEEP ASSY CAC ¹⁵⁸	1	
1	138340	SWEEP – 5-SERIES CAC	1	
2	166020	BEARING – BALL CYL 12.7 MM I.D.	1	
3	166021	HOUSING – BEARING	1	
4	138452	SPACER – CAC SWEEP	3	
		RAD SWEEP		
	183748	SWEEP ASSY RAD ¹⁵⁹	1	
2	166020	BEARING – BALL CYL 12.7 MM I.D.	1	
3	166021	HOUSING – BEARING	1	
5	167998	SWEEP – RADIATOR	1	
6	252755	SCREW – SCK SOC HD 5/16-18 X 1.25-GR5-AF0C	1	
7	30280	NUT – FLG SIDE LK SMTH FACE 5/16 NC GR 5 ZP	1	
8	252756	SPACER	1	
9	139986	SPACER – RAD SWEEP	3	
A	18723	BOLT – HH 1/2 NC X 1.5 LG TFL GR 5 ZN PL		
B	50186	NUT – FLG LK SMTH FACE DT 0.500-13 UNC GR 5		
C	139825	BOLT – RHSN 1/4 IN. X 3 IN.		
D	135248	NUT – FLG LOCK 1/4 IN.		
E	18598	WASHER – FLAT 13/32 IN.		
F	135248	NUT – FLG LOCK 1/4 IN.		
G	136079	BOLT – RHSN 1/4 IN. X 4.5 IN.		

NOTE:

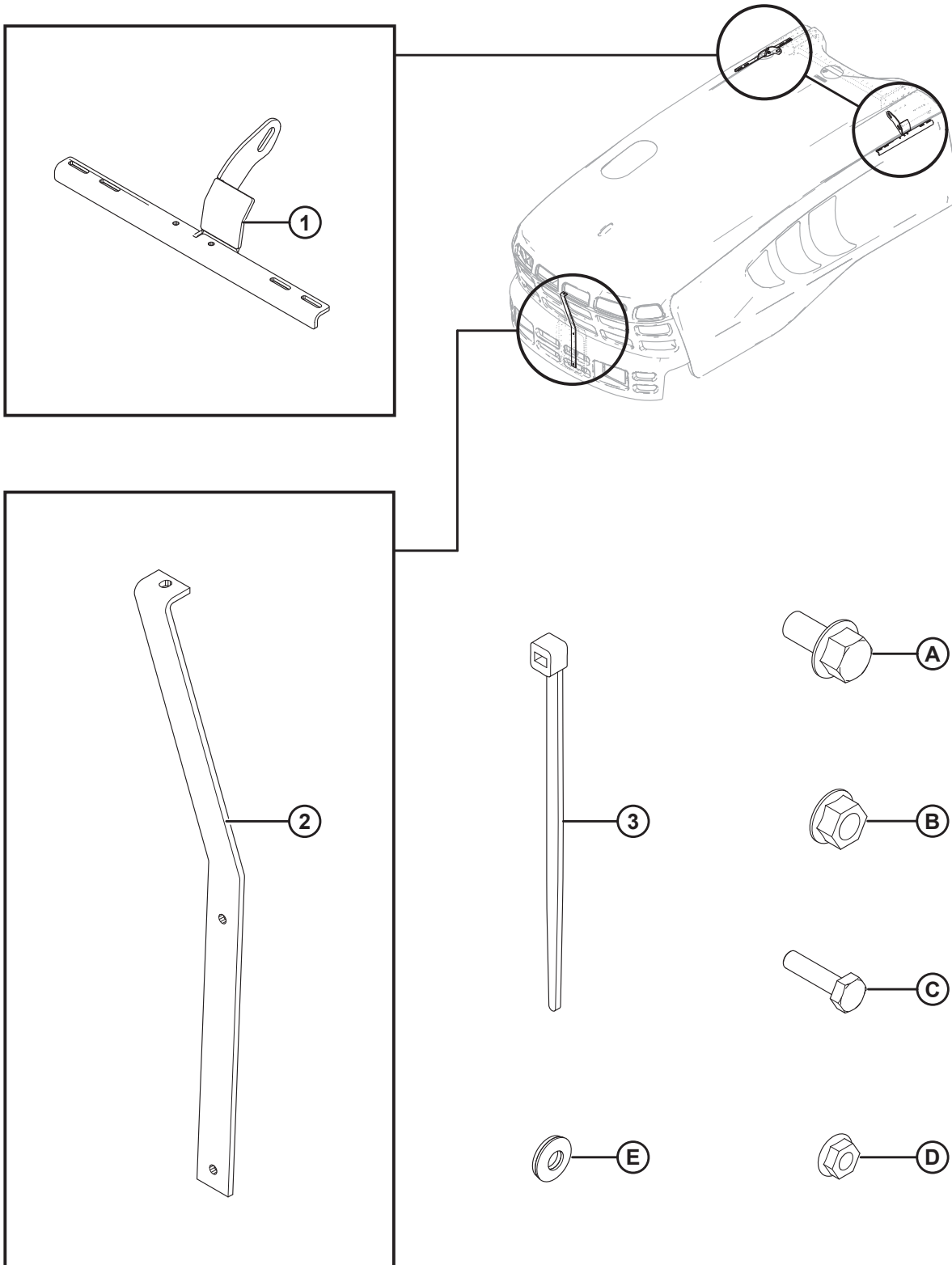
Refer to instruction MD #169636 for kit installation.

157. Includes CAC sweep kit (MD #167434), Rad sweep kit (MD #183748), and pre-cleaner kit. For pre-cleaner kit service parts, refer to Section *97 Pre-Cleaner Kit, page 269*. Kits available through Whole Goods only.

158. Includes CAC sweep (MD #138340), ball bearing (MD #166020), bearing housing (MD #166021), sweep spacer (MD #138452), and hardware.

159. Includes ball bearing (MD #166020), bearing housing (MD #166021), items #5–8, and hardware.

96 Hood Reinforcement Kit

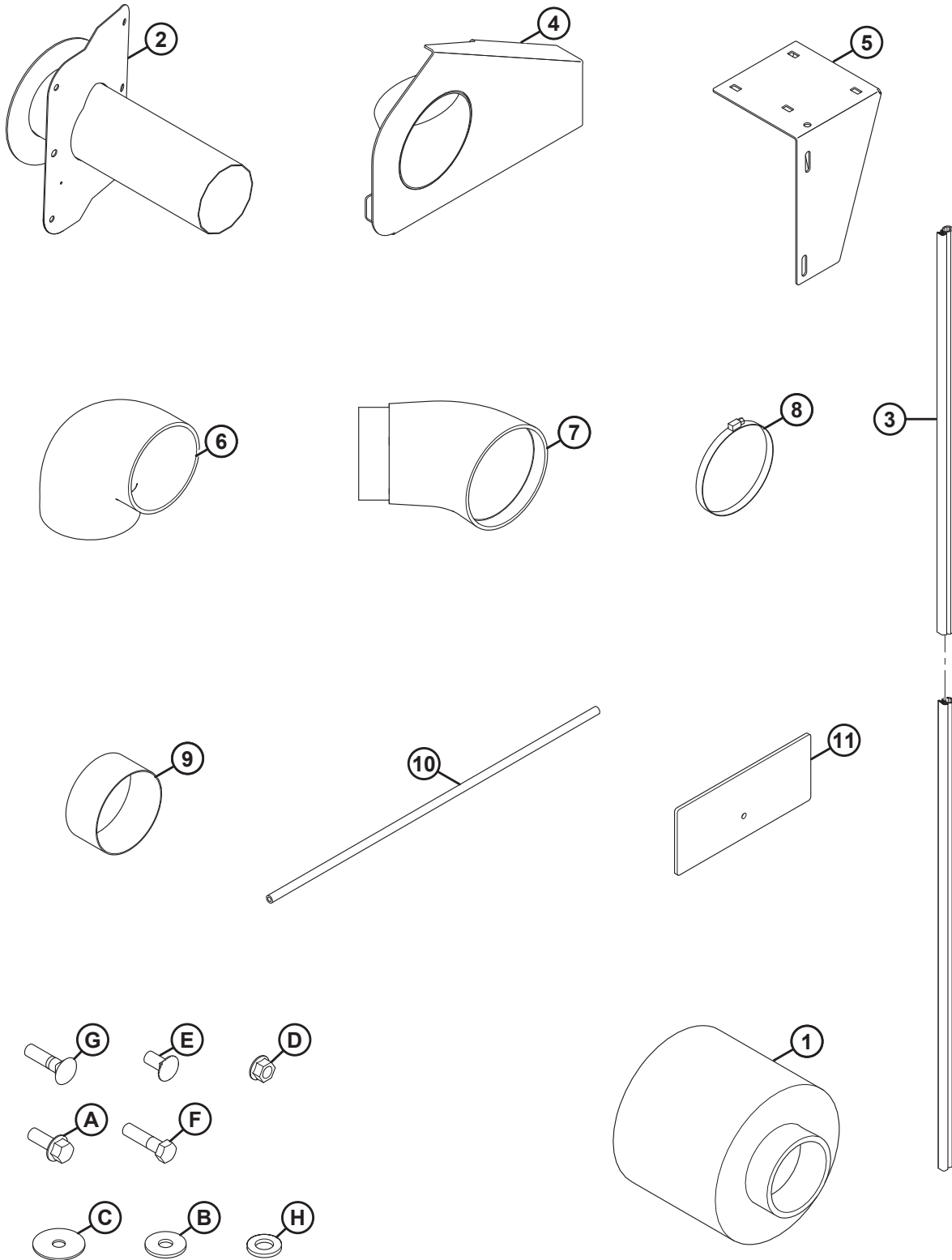


HOOD REINFORCEMENT KIT

Ref	Part Number	Description	Qty	Serial Number
	183465	KIT – HOOD REINFORCEMENT ¹⁶⁰		
1	183455	BRACE – HOOD WELDMENT	2	
2	183464	BRACE – GRILL HOOD	1	
3	16661	FASTENER – CABLE TIE, BLACK, 69 MM LG	1	
A	21821	BOLT – HH FLG (SER FACE) 3/8 NC X 0.75 GR 5		
B	30228	NUT – FLANGE 0.375-16 UNC		
C	21573	BOLT – HH 1/4 NC X 1.0 GR 5 ZP		
D	21455	NUT – FLANGE (SER FACE) 1/4 NC GR 5 ZP		
E	112221	WASHER – STEEL/RUBBER		

160.Includes all listed parts, grill template tool, and instructions.

97 Pre-Cleaner Kit

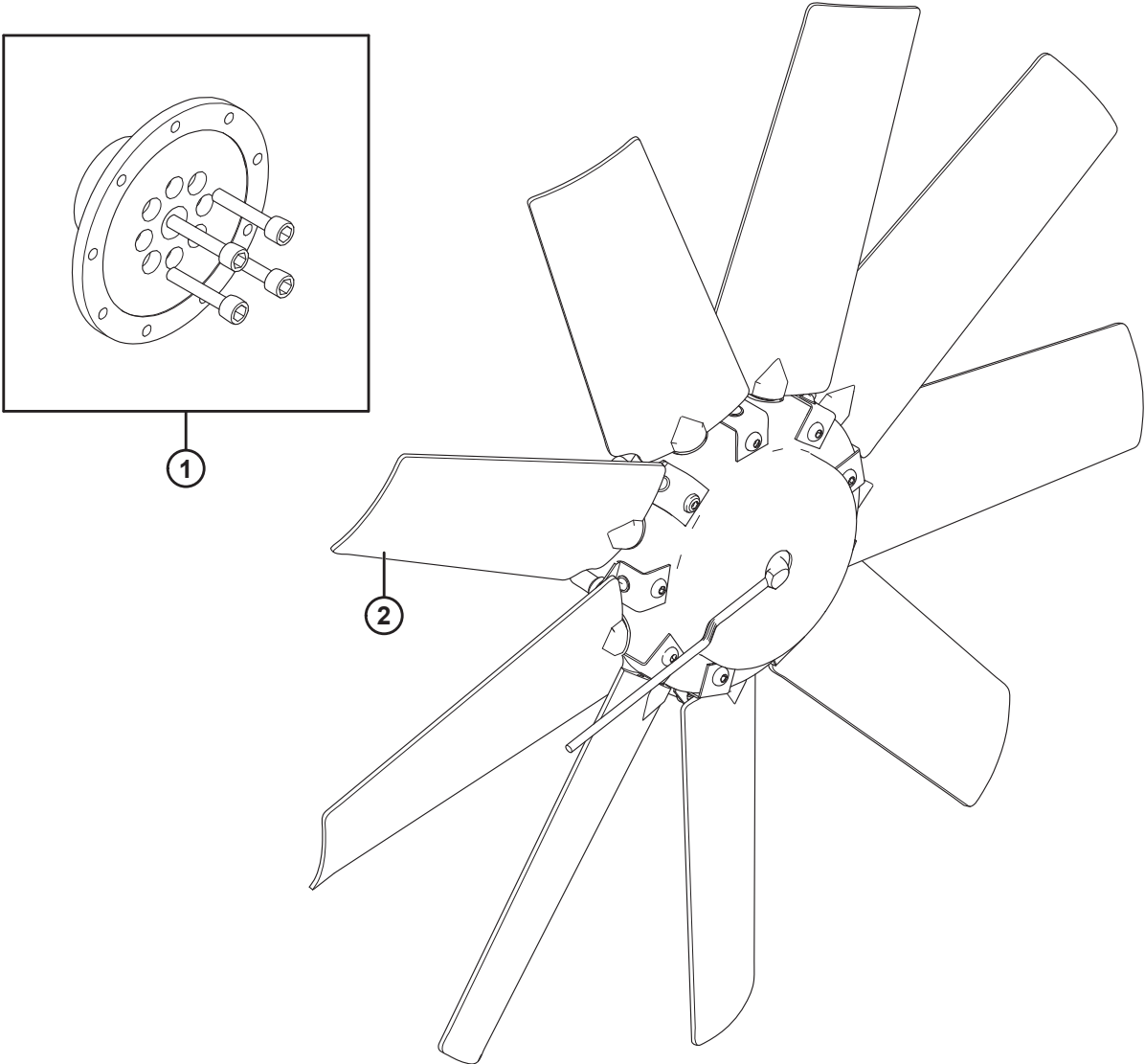


PRE-CLEANER KIT

Ref	Part Number	Description	Qty	Serial Number
	B6422	KIT – ENGINE PRE-CLEANER ¹⁶¹		
1	139917	PRE-CLEANER (WITH CLAMP)	1	
2	139928	FLANGED PIPE WELDMENT	1	
3	139995	SEAL – PRE-CLEANER, 710 MM LG	1	
4	139927	SUPPORT WELDMENT	1	
5	167411	SUPPORT BRACKET	1	
6	139943	HOSE – ELBOW 6 IN. X 90°	1	
7	139945	HOSE – ELBOW 7 IN. X 6 IN. X 45°	1	
8	136130	CLAMP – HOSE 5 3/8 IN.–7 3/4 IN.	4	
9	139946	TUBE – AIR INTAKE	1	
10	167412	HOSE – AIR RESTRICTOR, 5/16 IN. I.D., 760 MM LG	1	
11	139934	PLATE – AIR INTAKE	1	
	139921	HOOD TEMPLATE	1	
A	135966	BOLT – HH FLG 3/8 IN. X 1 IN.		
B	184712	WASHER – FENDER M10 X 30 MM X 2.5 MM		
C	160202	WASHER – RUBBER 38 MM X 9.5 MM X 1.6 MM		
D	30228	NUT – FLG LOCK 3/8 IN.		
E	21863	BOLT – RHSSN 3/8 IN. X 0.75 IN.		
F	21561	BOLT – HH 3/8 IN. X 1.5 IN.		
G	21484	BOLT – RHSN 3/8 IN. X 1.5 IN.		
H	30636	WASHER – M12 X 3 MM		

161.Kits available through Whole Goods only.

98 Fan Drive Upgrade and Reversible Fan Kit



FAN DRIVE UPGRADE AND REVERSIBLE FAN KIT

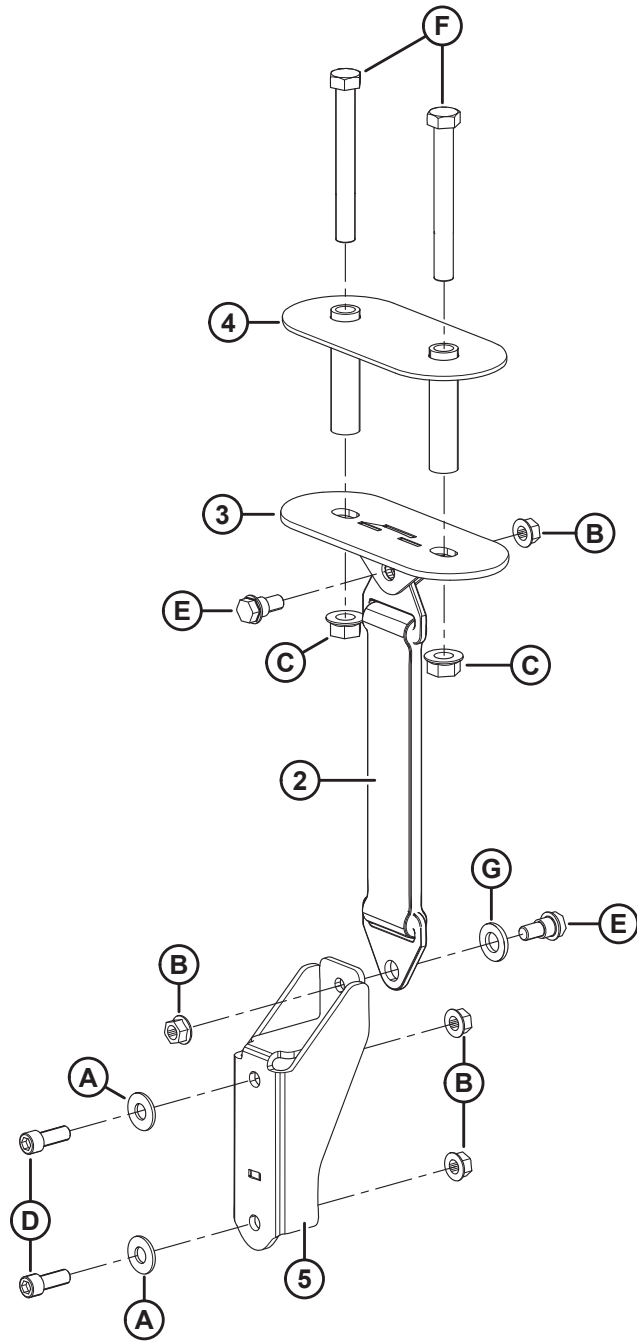
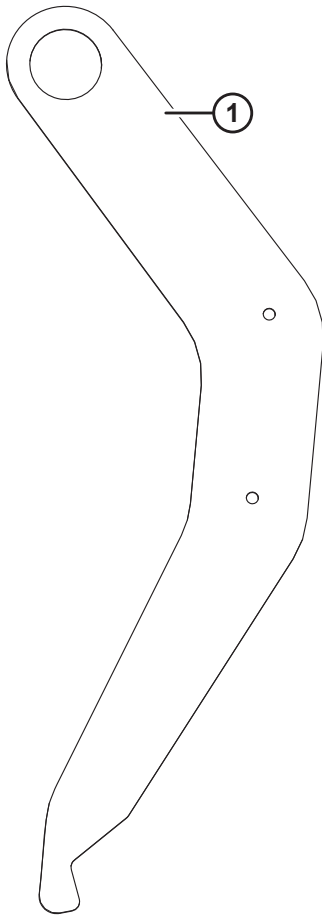
Ref	Part Number	Description	Qty	Serial Number
	139956	KIT – FAN DRIVE UPGRADE		
	139952	BELT – FAN, 1720 MM LG ¹⁶²	1	
	B5659	KIT – REVERSIBLE FAN ¹⁶³		
1	139814	FLANGE – CLEANFIX	1	
2	167423	FAN – REVERSIBLE, CLEANFIX FLEXTIPS	1	
	183529	KIT – FAN CONTROL BOX (NOT ILLUSTRATED) ¹⁶⁴	1	

162.Used to service M205 windrowers having a serial number 244010 or newer; or if fan drive upgrade kit MD #139956 has been installed for serial number 244009 or prior.

163.Includes all listed parts.

164.Includes 12V heavy duty control box (not serviced separately), airline/hardware kit (not serviced separately), hardware, installation instruction 169622, and cleanfix installation instructions.

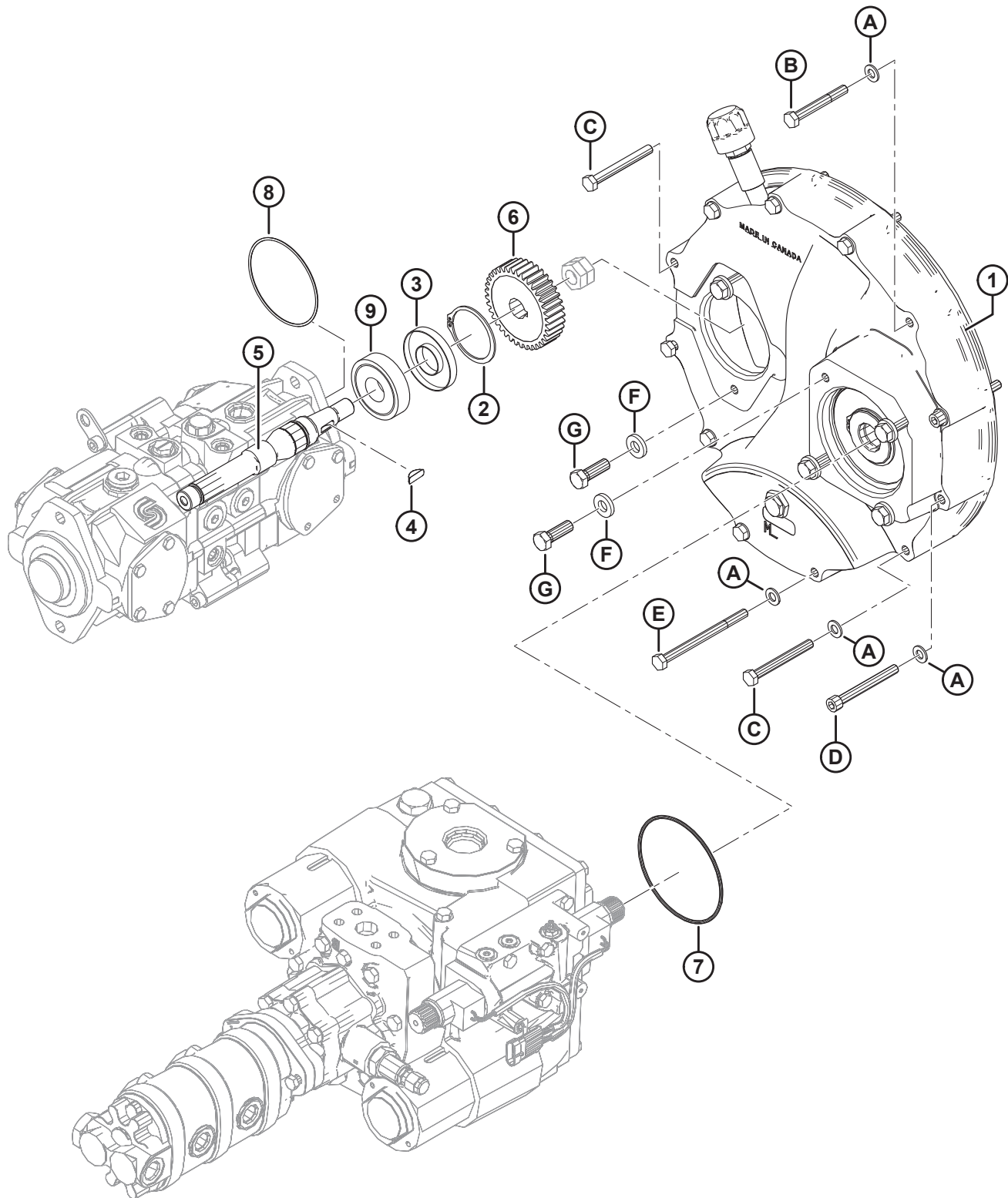
99 Cab Suspension Limit Strap Kit



CAB SUSPENSION LIMIT STRAP KIT

Ref	Part Number	Description	Qty	Serial Number
	167522	KIT – CAB SUSPENSION LIMIT STRAP		
1	NSS	GUIDE – HOLE TEMPLATE	1	
2	167523	STOP – LIMIT STRAP	2	
3	167544	SUPPORT – CAB LIMIT MOUNT WELDMENT	2	
4	167545	SUPPORT – CAB UPPER WELDMENT	2	
5	167551	SUPPORT – LIMIT STRAP WELDT	2	
A	18670	WASHER – SAE FLAT 7/16 I.D. X 1.0 IN. O.D. ZP		
B	30228	NUT – FLG DT SMOOTH FACE 0.375-16 UNC		
C	50186	NUT – FLG LOCK SM FACE DT 0.500-13 UNC GR 5		
D	135381	SCREW – HEX SOC HD		
E	172259	BOLT – SHOULDER .375-16 UNC		
F	184539	BOLT – HH 1/2 NC X 4.25 LG GR 5 ZP		

100 M205 Gearbox Service Kit



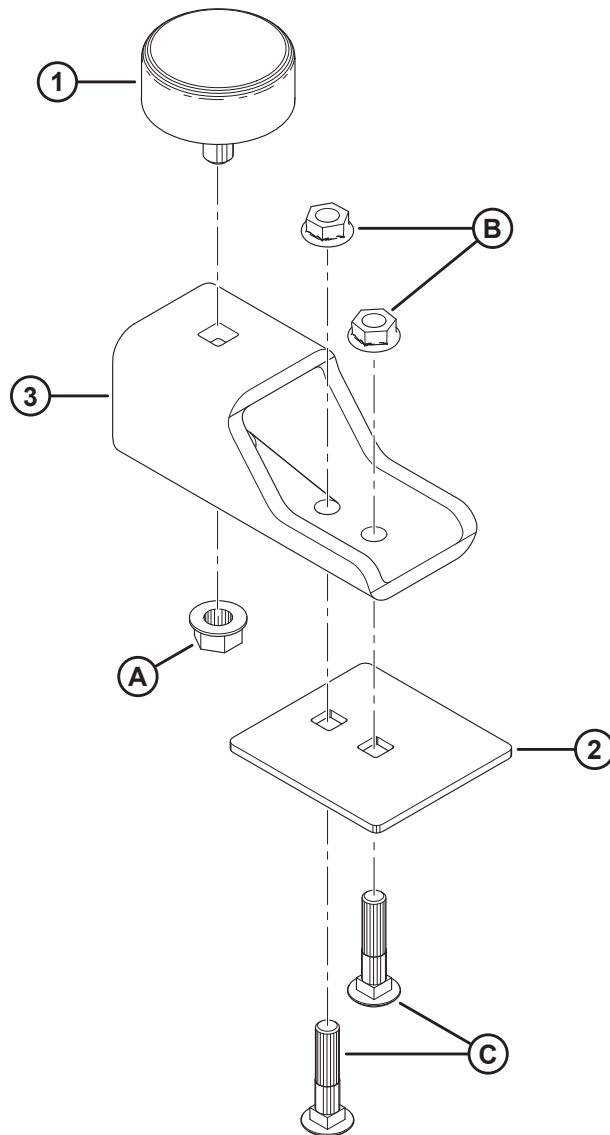
M205 GEARBOX SERVICE KIT

Ref	Part Number	Description	Qty	Serial Number
	183623	KIT – M205 GEARBOX SERVICE ¹⁶⁵		
1	REF	ASSEMBLY – M205 ENGINE GEARBOX ¹⁶⁶	1	
2	111897	RING – RETAINING	1	
3	203048	SEAL – LIP	1	
4	111895	KEY	1	
5	111898	SHAFT – FRONT	1	
6	208699	GEAR – PUMP (37T) CROWNED GROUND	1	
7	139322	O-RING – 123.4 MM I.D. X 3.5 MM	1	
8	30045	O-RING – 101.27 MM I.D. X 2.62 MM	1	
9	111896	BEARING – ROLLER	1	
A	184711	WASHER – FLAT REG M10-200HV-A3L		
B	135657	BOLT – HEX HEAD M10 X 1.5 X 80-8.8-A3L		
C	30682	BOLT – HEX HEAD M10 X 1.5 X 90-8.8-A3L		
D	162426	SCREW – HEX SOCKET HEAD M10 X 1.5 X 90-10.9-A3L		
E	135304	BOLT – HEX HEAD M10 X 1.5 X 130-8.8-A3L		
F	136027	WASHER – HARDENED, OIL FINISH		
G	135460	BOLT – HEX HEAD 1/2-13NC X 1.5 LONG L9 ZINC PLATED		

165.Kit includes complete engine gearbox assembly (current to 2017 production), that may be used to service 2016 and prior production with the upgraded gears and bearings. It is important to note that if a machine has been serviced at any point with M205 gearbox service kit MD #183623 (machined cover casting will be stamped with MD #207521), then the gearbox needs to be repaired with 2017 components regardless of the windrowers production year.

166.Not sold separately.

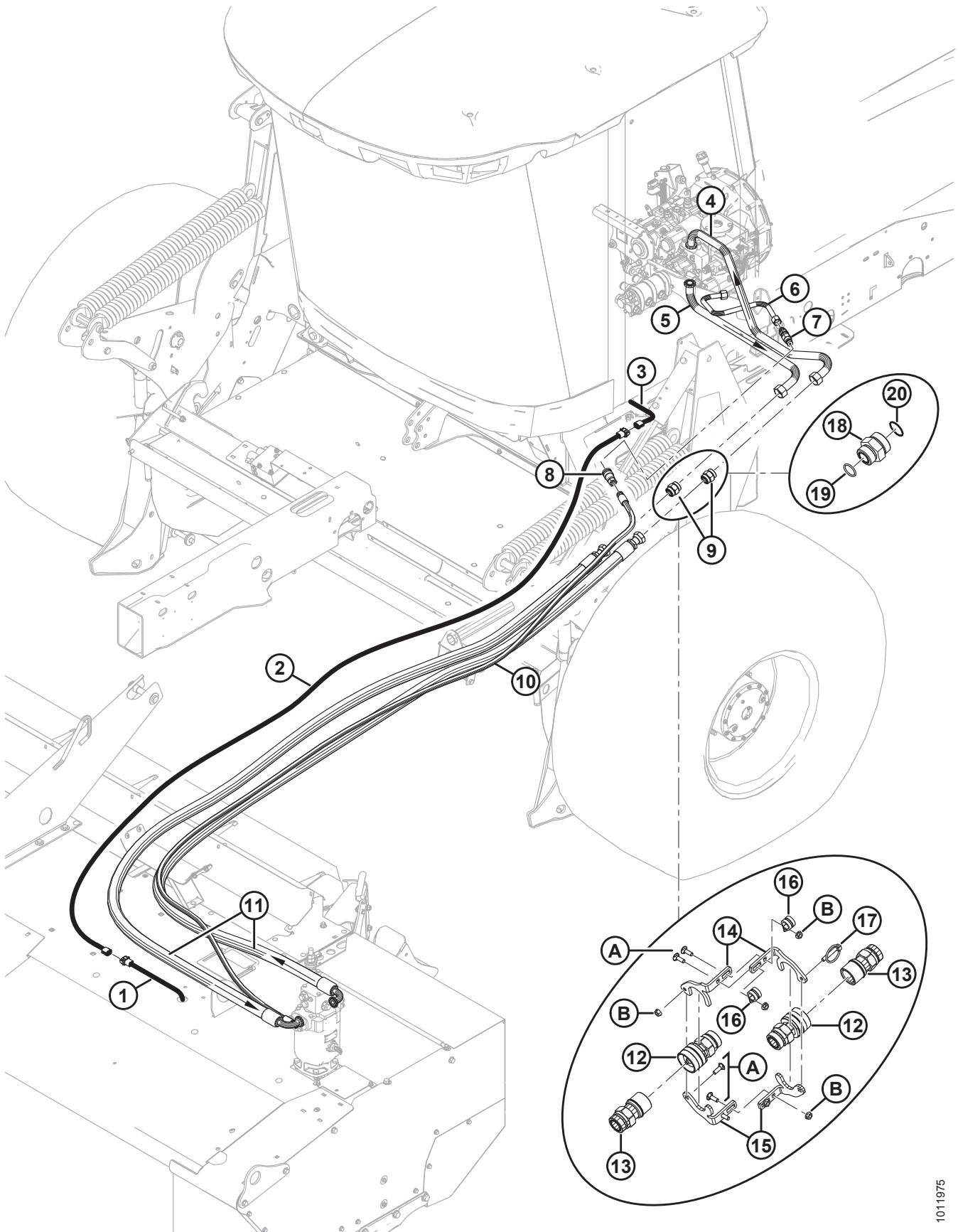
101 Cab Suspension Rear Bumpers Kit



CAB SUSPENSION REAR BUMPERS KIT

Ref	Part Number	Description	Quantity
	167513	KIT – CAB SUSPENSION REAR BUMPERS	
1	167511	BUMPER – RUBBER	2
2	167510	SUPPORT – REAR BUMPER CONSTRAINT	2
3	167509	BUMPER – PLATFORM REAR CAB	2
A	30228	NUT – FLANGE DT SMOOTH FACE 0.375-16UNC	
B	30280	NUT – FLG SIDE LK SMTH FACE 5/16 NC GR 5 ZP	
C	21479	BOLT – RHSN 5/16 NC X 1.5 LG GR 5 ZP	

102 M205 to R85 – Connections



M205 TO R85 – CONNECTIONS

Ref	Part Number	Description	Qty	Serial Number
	B5497	KIT – HYDRAULIC COUPLER LOCK ¹⁶⁷		
1	198323	HARNESS – WIRING SP ROTARY DISC HEADER, 13 FT	1	
	236033	HARNESS – WIRING SP ROTARY DISC HEADER, 16 FT ¹⁶⁸	1	
	268274	HARNESS – WIRING SP ROTARY DISC HEADER, 16 FT ¹⁶⁹	1	
	134360	CONNECTOR – RECEPTACLE, DEUTSCH	1	
2	138709	HARNESS – M205, HEADER CONNECTION, DISC	1	
	134106	CONNECTOR – PLUG, DEUTSCH		
	134360	CONNECTOR – RECEPTACLE, DEUTSCH		
3	167865	HARNESS – CHASSIS, M SERIES (2018–LATER)	1	321190–
	183859	KIT – HARNESS, CHASSIS, M155/M205 (2017–PRIOR)	A/R	–321189
	134106	CONNECTOR – PLUG, DEUTSCH		
4	138762	LINE – HYDRAULIC, 1.25 IN.	1	
5	138764	LINE – HYDRAULIC, 1.25 IN.	1	
6	138766	LINE – HYDRAULIC, 3/4 IN.	1	
7	135236	COUPLING – MALE HYD 1/2 IN. FLAT FACE BULKHEAD	1	
8	135474	COUPLER – HYDRAULIC, 1/2 IN. FEMALE FF	1	
9	135708	FITTING – UNION SAE, 20 ORFS ¹⁷⁰	2	
10	138124	HOSE – HYD, 1/2 IN. I.D., 4650 MM LG, METAL REIN.	1	
11	138855	HOSE – HYD, 1-1/4 IN. I.D., 4400 MM LG, METAL REIN.	2	
12	138272	COUPLER – HYDRAULIC, 1 IN. MALE, 20 ORFS MALE ¹⁷¹	2	
13	138273	COUPLER – HYDRAULIC, 1 IN. FEMALE, 20 ORFS MALE ¹⁷¹	2	
14	139648	HOLDER – COUPLER	2	
15	139649	RETAINER – LOCK	2	

167. Includes one of each coupler (MD #138272, 138273), two coupler holders (MD #139648), two lock retainers (MD #139649), two clamps (MD #135709), lynch pin (MD #135192), coupler-wrench (MD #139302), plug (MD #139521), cap (MD #139522), five bolts (MD #21282), five nuts (MD #30280), fasteners, and instructions. Two kits required to complete the connection for two hoses and lines (R85 to M205). Kits available through Whole Goods only.

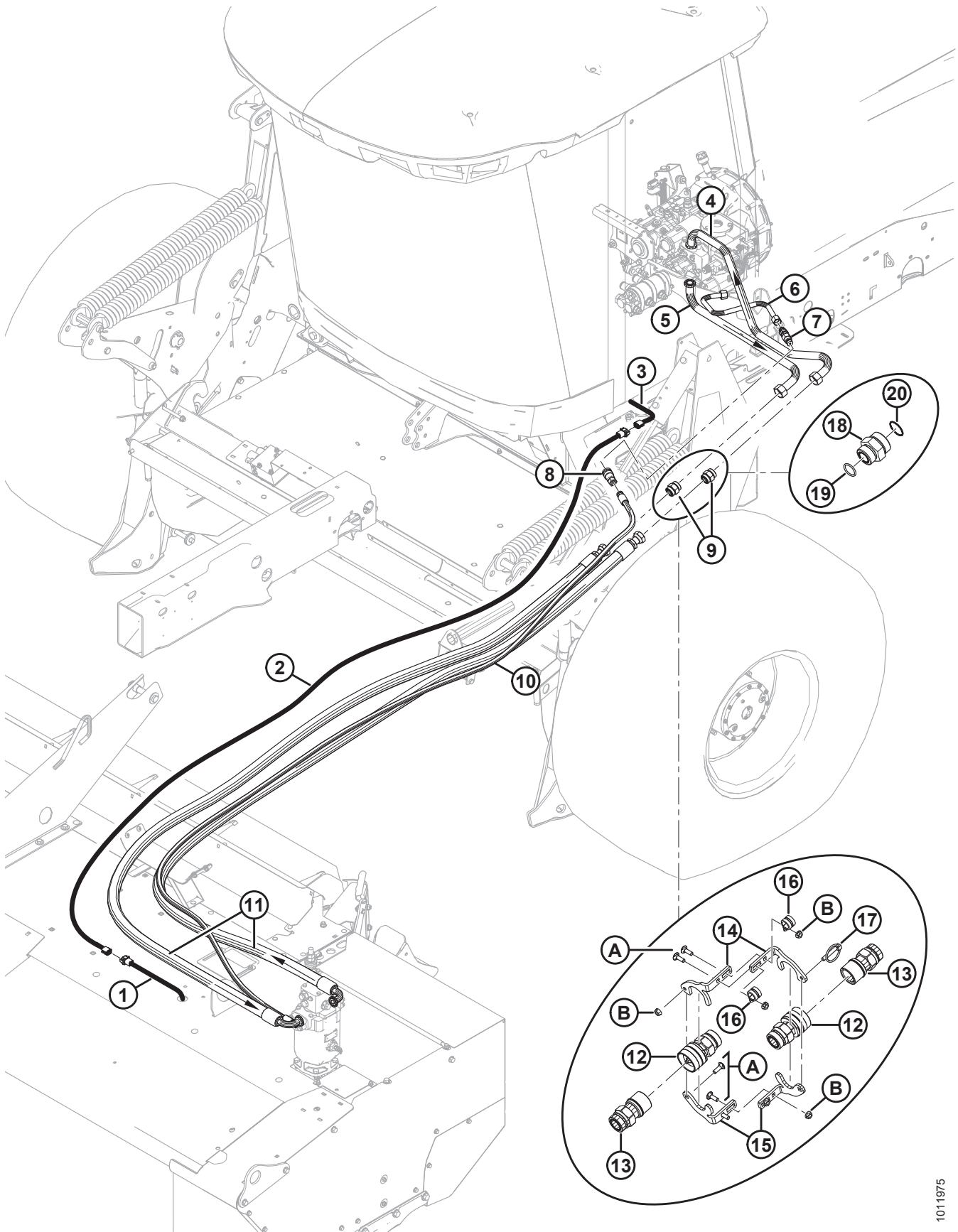
168. For units made in model year 2016 and prior.

169. For units made in model year 2017 and later.

170. Fitting (MD #135708) used only if connecting R85 to M205.

171. Coupler used if connecting multiple header types.

M205 TO R85 – CONNECTIONS



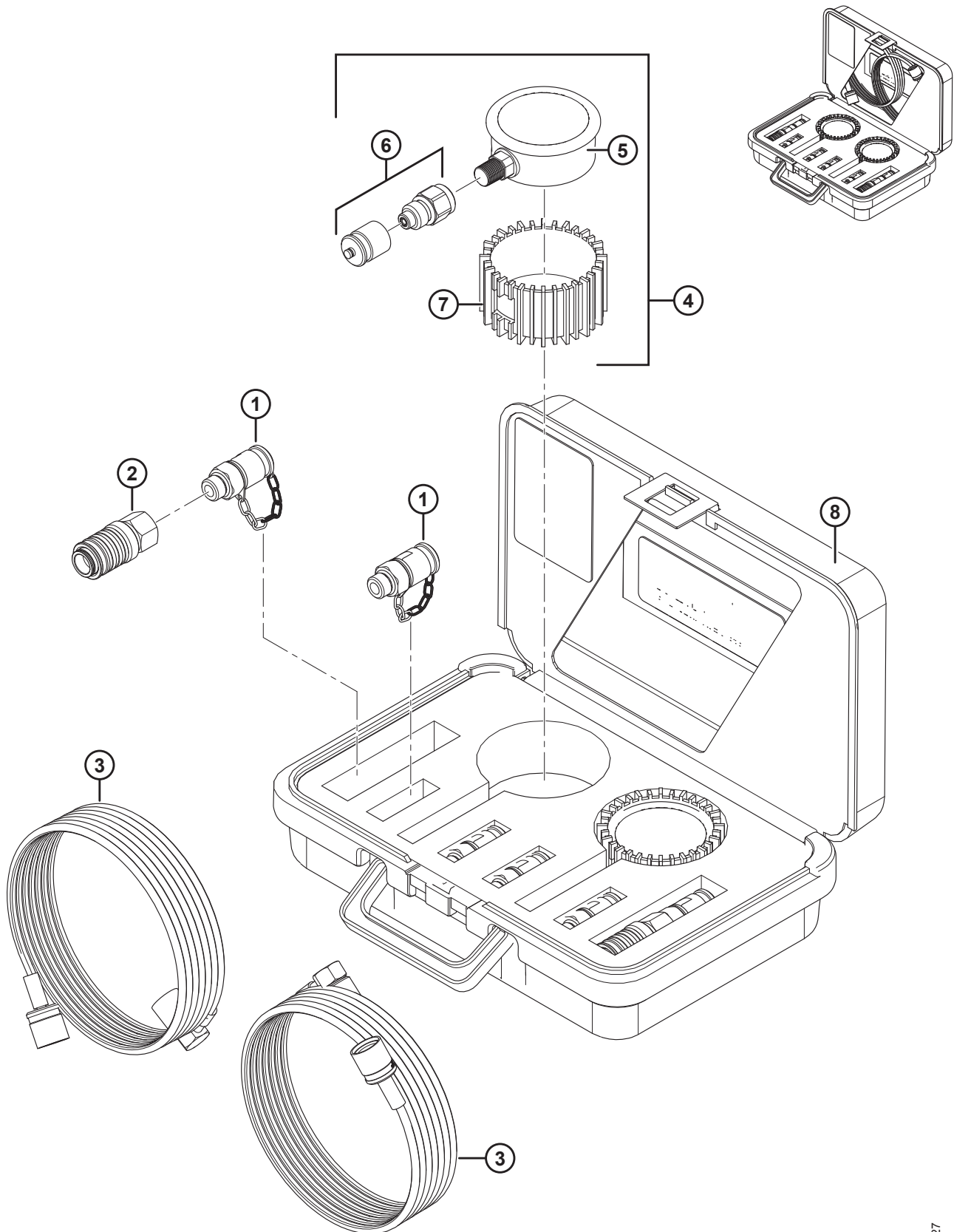
1011975

M205 TO R85 – CONNECTIONS

Ref	Part Number	Description	Qty	Serial Number
16	135709	CLAMP – INSULATED, 3/4 IN.	2	
17	135192	PIN – LYNCH, 5/16 IN.	1	
18	252232	FITTING – UNION SAE, 20 ORFS X 16 ORFS ¹⁷²	2	
19	135867	O-RING – #10 ORFS	1	
20	135869	O-RING – #20 ORFS	1	
A	21282	BOLT – RHSN 5/16-18 X 1 GR 5 ZP		
B	30280	NUT – FLG SIDE LK SMTH FACE 5/16 NC GR 5 ZP		

172.Fitting (MD #252232) used only if connecting a knife header to a draper-configured M205. Includes O-rings (MD #135867, 135869). For complete kit and instructions, order M205 Draper Drive Fittings kit (MD #166844).

103 Neutral Setting Service Kit



NEUTRAL SETTING SERVICE KIT

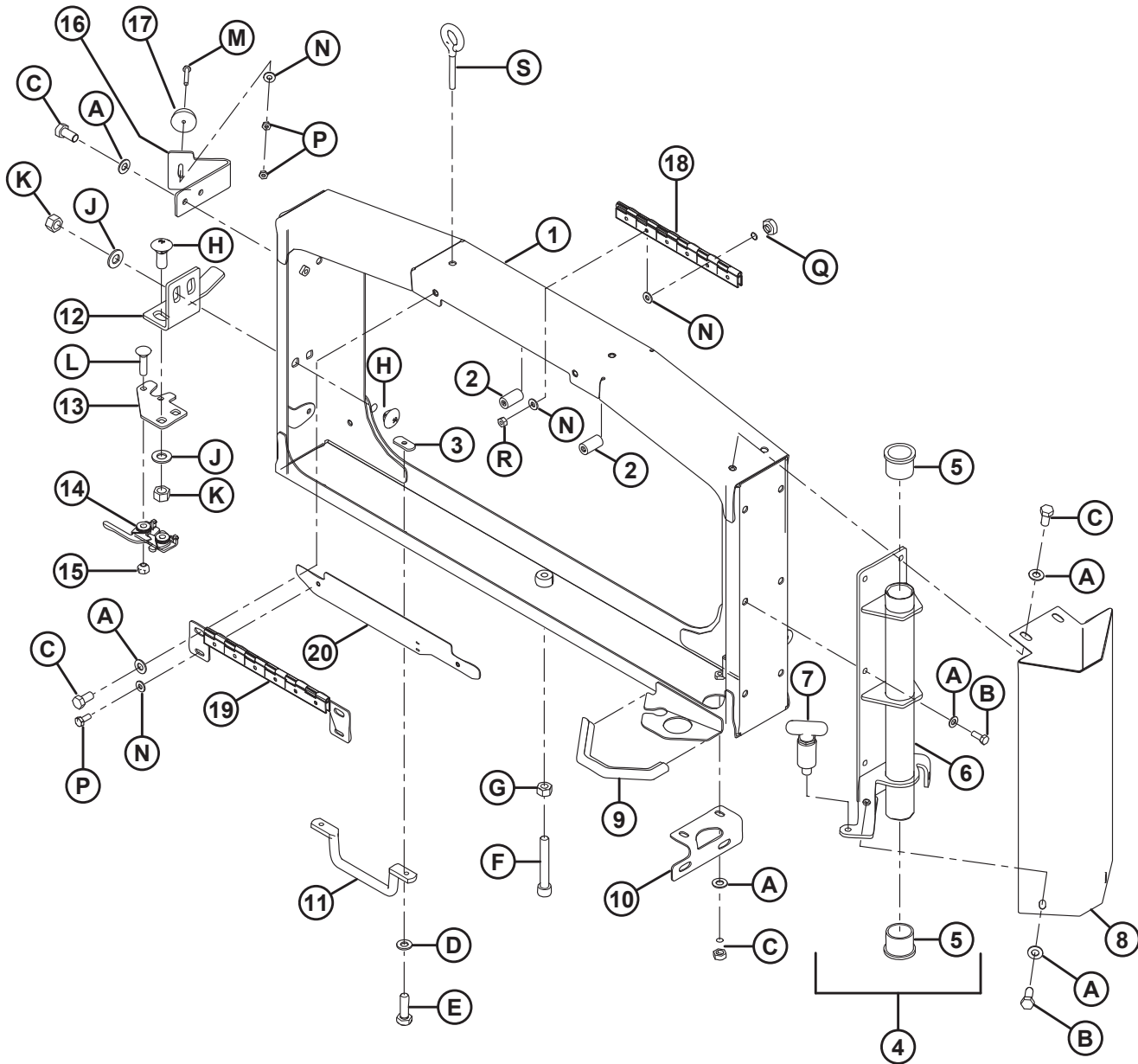
Ref	Part Number	Description	Qty	Serial Number
	183709	KIT – SERVICE, NEUTRAL SETTING ¹⁷³		
1	183525	FITTING – COUPLING HYD, M16 X 2	6	
2	252705	FITTING – COUPLING HYD	2	
3	183707	HOSE – HYD, DIAGNOSTIC	2	
4	183609	ASSY – GAUGE C/W FITTING AND BOOT ¹⁷⁴	2	
5	NSS	GAUGE – PRESSURE, 1000 PSI ¹⁷⁵	2	
6	183607	FITTING – ADAPTER C/W DUST CAP	2	
7	183608	BOOT – GAUGE PROTECTOR	2	
8	183708	CASE – CARRYING C/W FOAM, DECALS	1	

173. Includes all listed parts.

174. Includes pressure gauge (not serviced separately), adapter fitting (MD #183607), and boot (MD #183608).

175. Not serviced separately, service with gauge assembly (MD #183609).

104 (Option) Auxiliary Cooling Package – Frame



(OPTION) AUXILIARY COOLING PACKAGE – FRAME

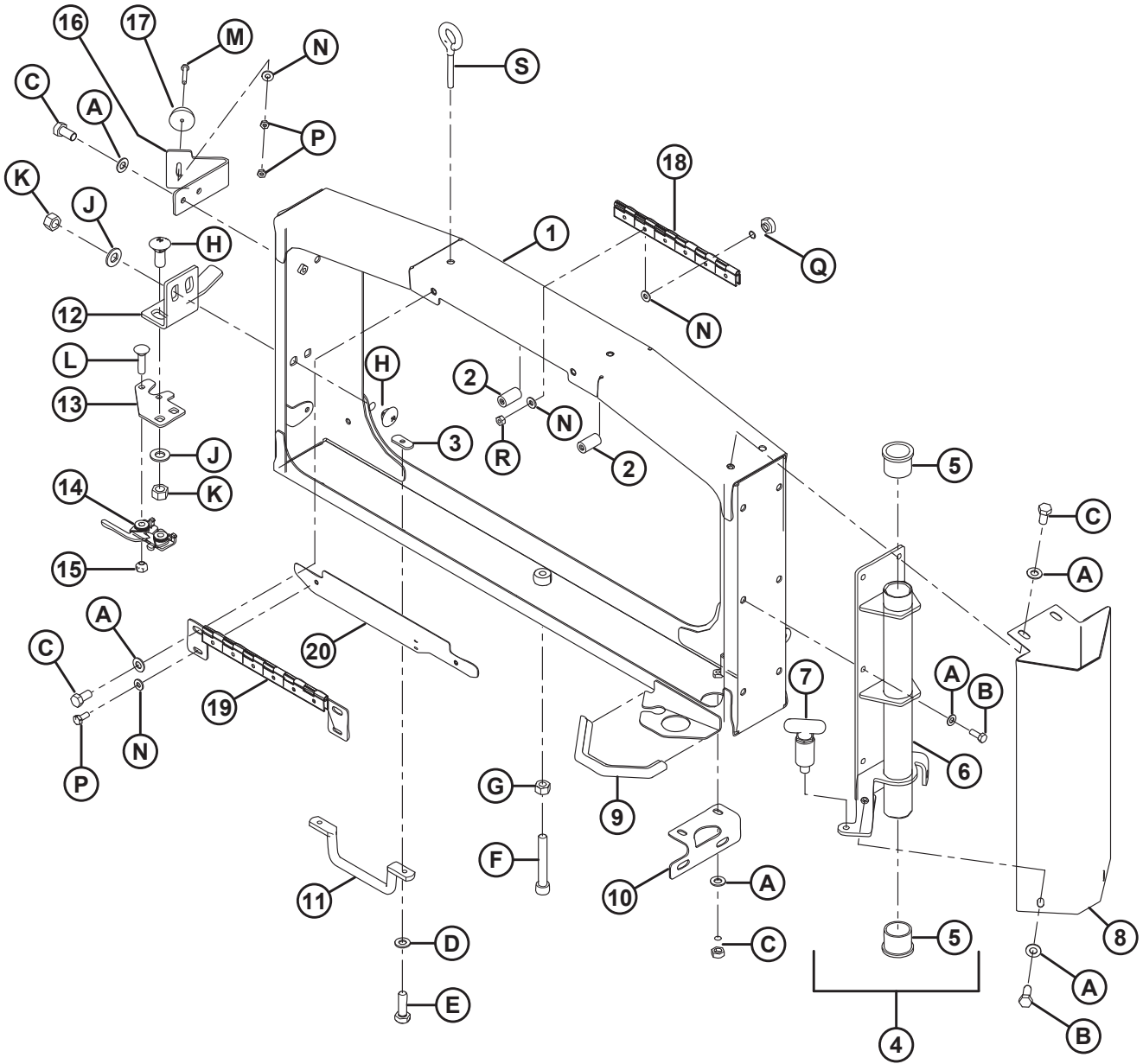
Ref	Part Number	Description	Qty	Serial Number
	B5926	KIT – AUXILIARY COOLING PACKAGE ¹⁷⁶		
1	206222	SUPPORT – FRAME WELDT	1	
2	136829	SPACER – THREADED BOSS	2	
3	184548	NUT – WELD 5/16-18 UNC TAB BLACK	2	
4	206640	ASSEMBLY – HINGE ¹⁷⁷	1	
5	206302	SLEEVE	1	
6	206295	HINGE WELDT	1	
7	206301	PIN – PULL	1	
8	206292	SUPPORT – END CAP WELDT	1	
9	206855	SEAL – BULB EDGE GRIP	1	
10	206306	SUPPORT – HOSE BRACKET	1	
11	206885	HANDLE – PAINTED BLACK	1	
12	206307	SUPPORT – COOLER LATCH	1	
13	206308	PLATE – LATCH MOUNTING	1	
14	134003	ASSEMBLY – STIRRUP LATCH	1	
15	35689	NUT – SPECIAL	2	
16	206395	SUPPORT – BUMPER BRACKET	1	
17	136825	BUMPER – ROUND (WITH WASHER)	1	
18	206316	HINGE – PIANO	1	
19	206391	ASSEMBLY – HINGE PLATE WELDT ¹⁷⁸	1	
20	206393	ASSEMBLY – COVER PLATE WELDT	1	
A	18598	WASHER – SAE FLAT 13/32 I.D. X 13/16 IN. O.D. ZN PL		
B	20077	BOLT – HEX HD 3/8 NC X 1.0 LG GR 5 ZN PL		
C	21567	BOLT – HEX HD .375-16 UNC X 0.75 LG		
D	18597	WASHER – SAE FLAT 11/32 I.D. X 11/16 I.N. O.D. ZN PL		
E	21087	BOLT – HEX HD 5/16 NC X 1.0 LG GR 5 ZN PL		
F	135410	SCREW – HEX SOC HD M12 X 1.75 X 80-12.9-A3L		

176.Frame only. For additional components, refer to Section *105 (Option) Auxiliary Cooling Package – Oil Cooler and Fan Shroud, page 289*, Section *106 (Option) Auxiliary Cooling Package – Hydraulics, page 293*, and Section *107 (Option) Auxiliary Cooling Package – Electrical, page 295*. Kits available through Whole Goods only.

177.Includes sleeve (MD #206302), hinge weldt (MD #206295), and pull pin (MD #206301).

178.Includes one piano hinge (MD # 206316).

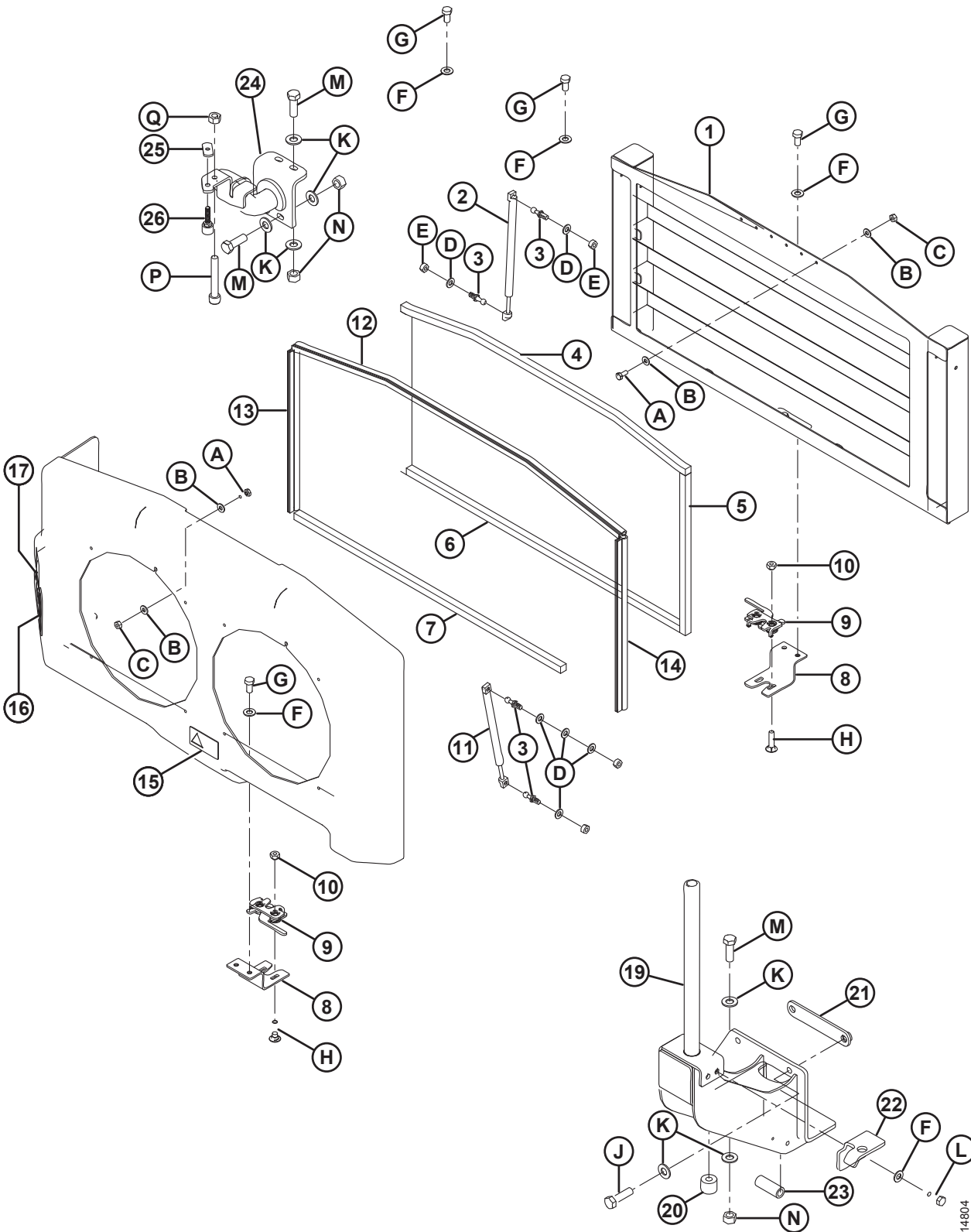
(OPTION) AUXILIARY COOLING PACKAGE – FRAME



(OPTION) AUXILIARY COOLING PACKAGE – FRAME

Ref	Part Number	Description	Qty	Serial Number
G	135156	NUT – HEX M12 X 1.75-10-A3L		
H	21471	BOLT – RHSN 1/2-13 X 1.25 GR5 ZN PL		
J	18599	WASHER – SAE FLAT 17/32 I.D. X 1-1/16 IN. O.D. ZN PL		
K	18591	NUT – HEX 1/2-13 UNC GR 5 ZN PL		
L	21473	BOLT – RHSN 5/16-18 X 1.25		
M	5144	SCREW – PAN HD PHIL #10-24 UNC X 1.25 GR 5 ZN PL		
N	18596	WASHER – SAE FLAT 9/32 I.D. X 5/8 IN. O.D. ZN PL		
P	18647	NUT – HEX #10-24 UNC GR 5 ZN PL		
Q	21572	BOLT – HEX HD 1/4 NC X 0.625 LG GR 5 ZN PL		
R	18588	NUT – HEX 1/4-20 UNC GR 5 ZN PL		
S	15637	BOLT – EYE		

105 (Option) Auxiliary Cooling Package – Oil Cooler and Fan Shroud



1014804

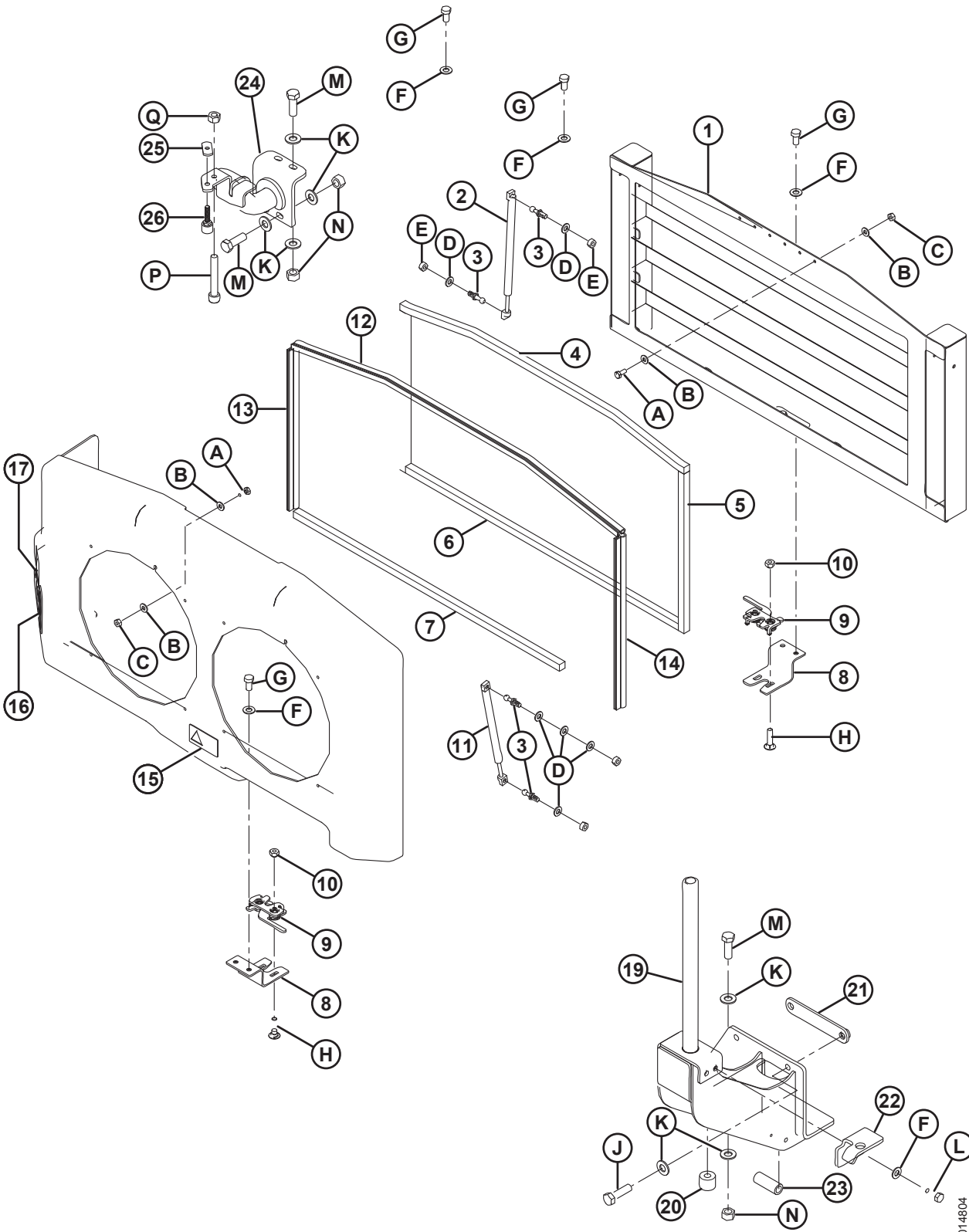
(OPTION) AUXILIARY COOLING PACKAGE – OIL COOLER AND FAN SHROUD

Ref	Part Number	Description	Qty	Serial Number
	B5926	KIT – AUXILIARY HYDRAULIC COOLER ¹⁷⁹		
1	206278	SUPPORT – SCREEN FRAME WELDT	1	
2	206312	SPRING – GAS SPRING	2	
3	206314	STUD – BALL	8	
4	206868	SEAL – SQUARE FOAM, 970 MM LG	1	
5	206865	SEAL – SQUARE FOAM, 470 MM LG	2	
6	206864	SEAL – SQUARE FOAM, 925 MM LG	1	
7	206863	SEAL – SQUARE FOAM, 905 MM LG	1	
8	206388	ASSEMBLY – LATCH PLATE WELDT	2	
9	134003	ASSEMBLY – STIRRUP LATCH	2	
10	35689	NUT – SPECIAL	4	
11	206311	SPRING – GAS SPRING	2	
12	206861	SEAL – 90° BULB EDGE GRIP, 1120 MM LG	1	
13	206859	SEAL – BULB EDGE GRIP, 470 MM LG	1	
14	206860	SEAL – BULB EDGE GRIP, 500 MM LG	1	
15	166451	DECAL – WARNING ROTATING FAN	1	
16	206313	DECAL – CLOSE COOLER	1	
17	184386	DECAL – PINCH POINT	1	
18	136827	FLAP – STRIP BRUSH (NOT ILLUSTRATED)	1	
19	206271	SUPPORT – REAR FRAME WELDT ¹⁸⁰	1	
20	8746	SPACER	1	
21	206304	ASSEMBLY – BACKER PLATE WELDT	1	

179.Oil cooler and fan shroud only. For additional components, refer to Section *104 (Option) Auxiliary Cooling Package – Frame*, page 285, Section *106 (Option) Auxiliary Cooling Package – Hydraulics*, page 293, and Section *107 (Option) Auxiliary Cooling Package – Electrical*, page 295. Kits available through Whole Goods only.

180.Includes spacer MD #8746.

(OPTION) AUXILIARY COOLING PACKAGE – OIL COOLER AND FAN SHROUD



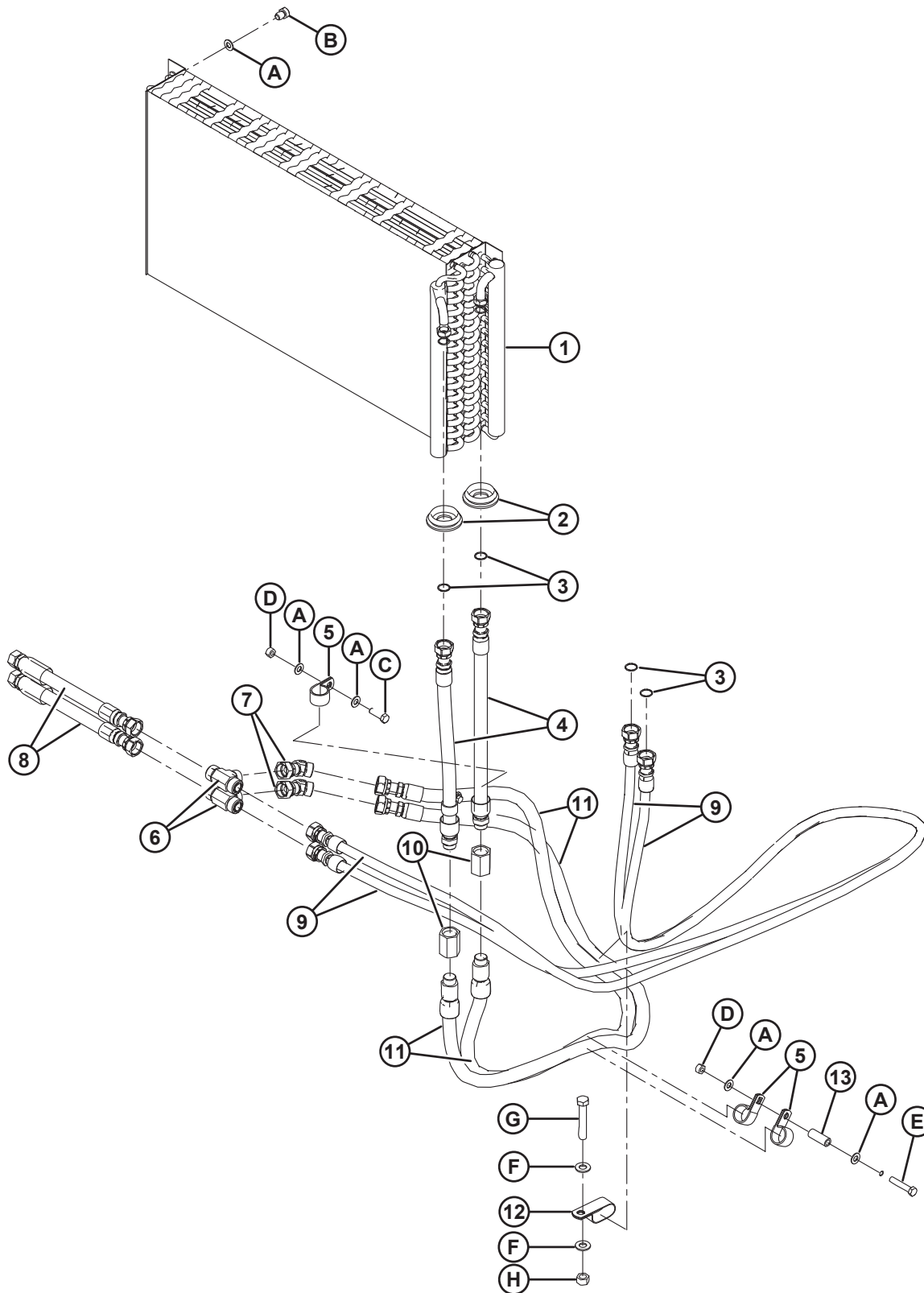
1014804

(OPTION) AUXILIARY COOLING PACKAGE – OIL COOLER AND FAN SHROUD

Ref	Part Number	Description	Qty	Serial Number
22	206309	SUPPORT – PULL PIN	1	
23	182087	SPACER	1	
24	206286	SUPPORT – FRONT FRAME WELDT	1	
25	184548	NUT – WELD 5/16-18 UNC TAB BLACK	1	
26	136826	BUMPER – STUD	1	
	206396	ASSEMBLY – FRAME MACHINE ¹⁸¹	1	
A	21572	BOLT – HH 1/4 NC X 0.625 LG GR 5 ZN PL		
B	18596	WASHER – SAE FLAT 9/32 I.D. X 5/8 IN. O.D. ZN PL		
C	18588	NUT – HEX 1/4-20 UNC GR 5 ZN PL		
D	18597	WASHER – SAE FLAT 11/32 I.D. X 11/16 IN. O.D. ZN PL		
E	18589	NUT – HEX 5/16-18 UNC GR 5 ZN PL		
F	18598	WASHER – SAE FLAT 13/32 I.D. X 13/16 IN. O.D. ZN PL		
G	21567	BOLT – HH 0.375-16 UNC X 0.75 LG		
H	21473	BOLT – RHSN 5/16-18 X 1.25 GR 5 ZN PL		
J	21565	BOLT – HH 1/2 NC X 1.75 LG GR 5 ZN PL		
K	18599	WASHER – SAE FLAT 17/32 I.D. X 1-1/16 IN. O.D. ZN PL		
L	20077	BOLT – HH 3/8 NC X 1.0 LG GR 5 ZN PL		
M	18723	BOLT – HH 1/2 NC X 1.5 LG TFL GR 5 ZN PL		
N	18591	NUT – HH 1/2-13 UNC GR 5 ZN PL		
P	135410	SCREW – HEX M12 X 1.75-10-A3L		
Q	135156	NUT – HEX M12 X 1.75-10-A3L		

181.Includes items #15–22.

106 (Option) Auxiliary Cooling Package – Hydraulics



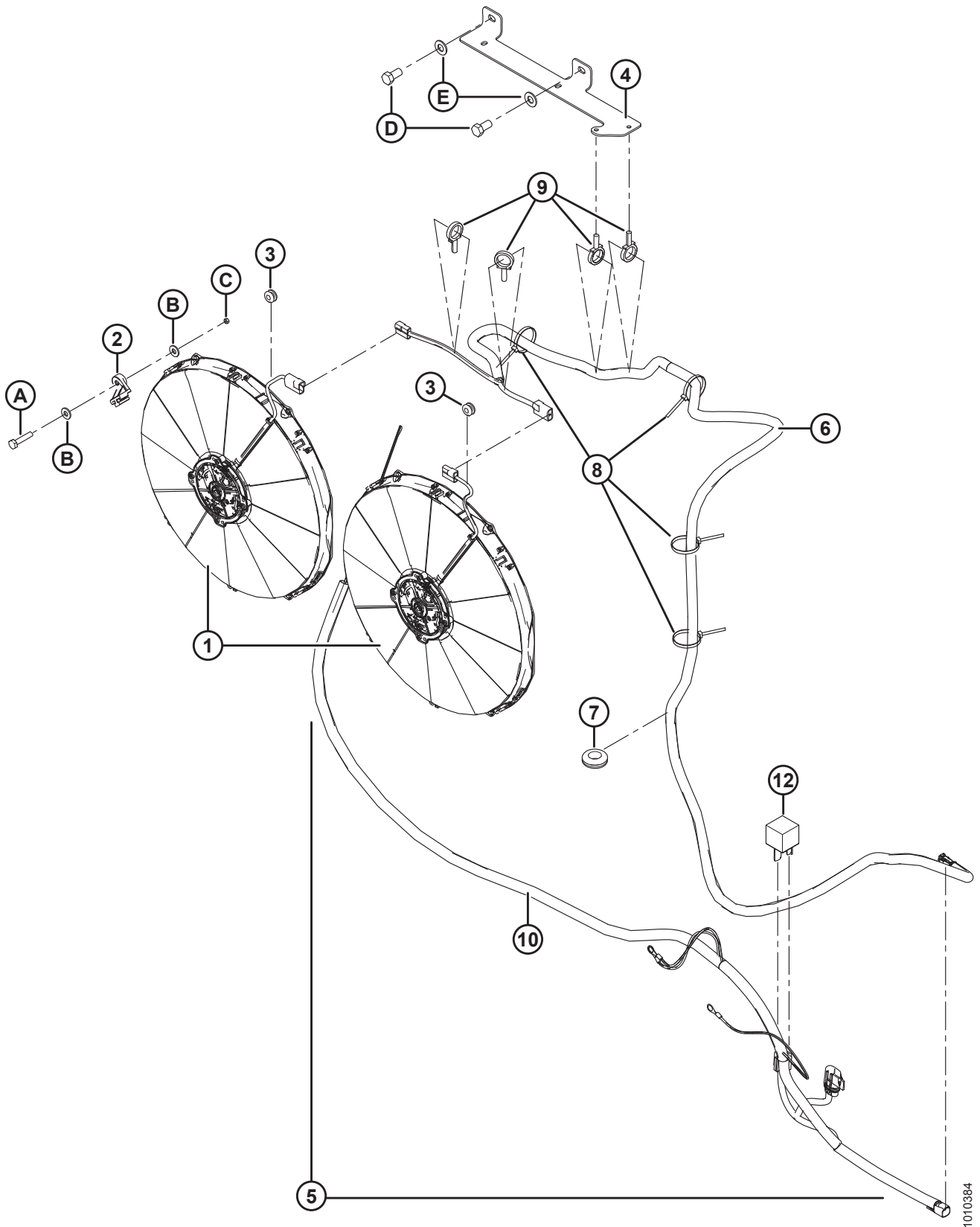
1010383

(OPTION) AUXILIARY COOLING PACKAGE – HYDRAULICS

Ref	Part Number	Description	Qty	Serial Number
	B5926	KIT – AUXILIARY COOLING PACKAGE ¹⁸²		
1	205354	COOLER – OIL	1	
2	110967	GROMMET – 1.06 IN. I.D.	2	
3	135868	O-RING – #12 ORFS	4	
4	206327	HOSE – HYD, 3/4 IN. I.D., 560 MM LG, METAL REIN.	2	
5	136813	CLAMP – INSULATED 1 INCH HEAVY DUTY	4	
6	136808	FITTING – TEE HYD-UNION ORFS	2	
7	136809	FITTING – ELBOW HYD, 45 DEG ORFS SWVL	2	
8	206326	HOSE – HYD, 3/4 IN. I.D., 380 MM LG, METAL REIN.	2	
9	206328	HOSE – HYD, 1/2 IN. I.D., 3258 MM LG, METAL REIN.	2	
10	136807	FITTING – ADAPTER FEMALE SAE COUPLING	2	
11	206325	HOSE – HYD, 3/4 I.N. I.D., 1670 MM LG, METAL REIN.	2	
12	136814	CLAMP – DOUBLE HOSE INSULATED	1	
13	182087	SPACER	1	
A	18598	WASHER – SAE FLAT 13/32 I.D. X 13/16 IN. O.D. ZN PL		
B	21571	BOLT – HH 3/8 NC X 0.5 LG GR 5 ZN PL		
C	21264	BOLT – HH 3/8 NC X 1.25 LG GR 5 ZN PL		
D	18590	NUT – HEX 3/8-16 UNC GR 5 ZN PL		
E	21568	BOLT – HH 3/8 NC 3.0 LG GR 5 ZN PL		
F	18599	WASHER – SAE FLAT 17/32 I.D. X 1-1/16 IN. O.D. ZN PL		
G	21672	BOLT – HH 1/2 NC X 3.0 TFL GR 5 ZN PL		
H	18591	NUT – HH 1/2-13 UNC GR 5 ZN PL		

182. Hydraulics only. For additional components, refer to Section *104 (Option) Auxiliary Cooling Package – Frame*, page 285, Section *105 (Option) Auxiliary Cooling Package – Oil Cooler and Fan Shroud*, page 289, and Section *107 (Option) Auxiliary Cooling Package – Electrical*, page 295. Kits available through Whole Goods only.

107 (Option) Auxiliary Cooling Package – Electrical



1010384

(OPTION) AUXILIARY COOLING PACKAGE – ELECTRICAL

Ref	Part Number	Description	Qty	Serial Number
	B5926	KIT – AUXILIARY COOLING PACKAGE ¹⁸³		
1	205900	FAN – ELECTRIC, 16 INCH	2	
2	206294	SUPPORT – FAN FOOT	8	
3	136871	GROMMET – RUBBER	2	
4	206333	SUPPORT – FAN CONTROLLER	1	
5	206452	HARNESS – AUXILIARY COOLING ¹⁸⁴	1	
6	206818	HARNESS – COOLING PACKAGE	1	
7	135258	GROMMET – RUBBER	1	
8	21763	FASTENER – CABLE TIE, BLACK, 160 MM LG	10	
9	136655	FASTENER – FIR TREE MT WITH CABLE TIE	5	
10	206810	HARNESS – MACHINE	1	
11	203996	ALTERNATOR – CUMMINS, 160 AMP (NOT ILLUSTRATED)	1	
12	206811	RELAY – 70 AMP	1	
A	30942	BOLT – HH 1/4 NC X 1.25 LG GR 5 ZN PL		
B	18596	WASHER – SAE FLAT 9/32 I.D. X 5/8 IN. O.D. ZN PL		
C	18588	NUT – HEX 1/4-20 UNC GR 5 ZN PL		
D	21567	BOLT – HH 0.375-16 UNC X 0.75 LG		
E	18598	WASHER – SAE FLAT 13/32 I.D. X 13/16 IN. O.D. ZN PL		

183.Electrical only. For additional components, refer to Section *104 (Option) Auxiliary Cooling Package – Frame*, page 285, Section *105 (Option) Auxiliary Cooling Package – Oil Cooler and Fan Shroud*, page 289, and Section *106 (Option) Auxiliary Cooling Package – Hydraulics*, page 293. Kits available through Whole Goods only.

184.Includes items #6–10.

Index

1246.....	144	18654.....	62, 140
4761.....	44, 242	18664.....	8, 66, 72, 140
5144.....	254, 288	18666.....	14, 160
5252.....	158	18669.....	32, 36, 72, 120, 136
5744.....	142, 146	18670.....	80, 274
5745.....	108, 112, 146	18671.....	12, 16, 20
7536.....	12, 30	18688.....	62, 126
7603.....	192	18689.....	14, 44, 160
7674.....	150	18690.....	66, 86, 136, 262
8746.....	290	18697.....	16, 20, 90, 136, 140
9423.....	38	18707.....	254
10948.....	246	18709.....	66
11695.....	44	18723.....	262, 266, 292
13125.....	8, 242	18724.....	40, 60, 62, 72, 120, 240, 254
13617.....	34, 134	18796.....	92
14294.....	134	18798.....	254
15637.....	288	18881.....	192
15903.....	138, 178, 208, 210, 244, 246, 260	18916.....	18, 22
16266.....	118	19488.....	116
16652.....	6, 86	19739.....	34, 116
16661.....	264, 268	19878.....	18, 22
17675.....	38	19906.....	140
17959.....	58	19965.....	40, 72, 92, 98, 136, 186, 188, 194, 202, 208, 216, 218, 248
18579.....	254	19966.....	6, 44
18588.....	98, 132, 288, 292, 296	20042.....	66, 92
18589.....	132, 136, 292	20055.....	40, 44, 120, 136, 140
18590.....	32, 36, 94, 120, 136, 140, 244, 262, 294	20077.....	50, 62, 114, 144, 286, 292
18591.....	44, 50, 78, 132, 136, 140, 288, 292, 294	20213.....	126
18593.....	40	20214.....	136, 262
18596.....	288, 292, 296	20535.....	10, 32, 56, 86
18597.....	120, 190, 262, 286, 292	21030.....	34, 178, 208
18598.....	32, 52, 54, 60, 72, 102, 106, 140, 216, 222, 266, 286, 292, 294, 296	21031.....	184
18599.....	44, 72, 80, 132, 288, 292, 294	21046.....	58
18600.....	202	21053.....	58, 108, 112
18601.....	44	21055.....	40
18602.....	136	21066.....	8, 74, 136, 202, 262
18603.....	252	21069.....	212
18604.....	36	21087.....	158, 286
18605.....	62	21102.....	32, 52, 66, 120
18606.....	116	21153.....	16, 20, 22
18608.....	18, 22, 30	21262.....	50
18634.....	50, 92	21264.....	32, 44, 74, 294
18635.....	98	21268.....	136, 190
18636.....	136	21281.....	66, 110, 114, 132, 252, 256
18637.....	32, 60, 72, 120, 140, 144, 202	21282.....	66, 120, 188, 256, 282
18638.....	14, 44, 136, 262	21289.....	62, 216
18639.....	14, 144, 148	21354.....	74
18647.....	288	21357.....	16, 20
18648.....	38, 72, 116	21358.....	16, 20
18652.....	188	21383.....	10, 50

INDEX

21389.....	242	21863.....	36, 40, 46, 50, 52, 54, 58, 60, 62, 74, 102, 106, 190, 196, 270
21403.....	120	21868.....	10, 262
21406.....	14, 40	21880.....	80
21449.....	4, 6	21913.....	64, 100
21452.....	46, 60, 62, 92, 216, 222	21926.....	254
21455.....	70, 82, 98, 218, 220, 254, 264, 268	21936.....	16, 20
21456.....	120	21947.....	216
21471.....	10, 46, 80, 288	21952.....	60
21472.....	6, 36, 58, 66, 78	21975.....	62, 184
21473.....	8, 74, 288, 292	21980.....	48
21476.....	70	21988.....	62
21478.....	262	21992.....	48
21479.....	278	23050.....	42
21480.....	196	23165.....	230
21484.....	54, 74, 264, 270	23950.....	224
21485.....	98, 140	23957.....	224
21487.....	36	24769.....	232
21489.....	140	25321.....	130
21492.....	36, 214, 216, 222	25689.....	250
21493.....	188	25991.....	224
21522.....	126, 158	28700.....	130, 200
21526.....	132, 262	30027.....	50
21540.....	12	30035.....	36, 244
21560.....	78	30045.....	142, 146, 160, 276
21561.....	32, 54, 126, 140, 154, 262, 270	30061.....	118
21564.....	126, 188	30083.....	260
21565.....	292	30094.....	58
21566.....	220, 240	30191.....	172, 176
21567.....	6, 36, 60, 120, 126, 286, 292, 296	30200.....	172, 176
21568.....	62, 210, 246, 294	30203.....	170, 174
21570.....	254	30205.....	172, 176
21571.....	294	30215.....	90, 100, 216, 220
21572.....	254, 288, 292	30228.....	6, 8, 10, 32, 36, 40, 44, 46, 50, 52, 54, 58, 60, 62, 66, 70, 74, 78, 80, 86, 98, 102, 106, 114, 120, 126, 136, 140, 186, 188, 190, 194, 196, 202, 208, 216, 218, 220, 240, 244, 248, 262, 264, 268, 270, 274, 278
21573.....	70, 98, 218, 220, 268	30242.....	110, 114
21574.....	40	30243.....	14, 16, 18, 20, 22, 142, 146
21576.....	16, 20	30278.....	128, 132
21578.....	10, 44, 136	30280.....	66, 86, 110, 114, 132, 188, 190, 196, 252, 256, 266, 278, 282
21581.....	44	30282.....	38, 178, 184, 208, 210, 244, 260
21582.....	160	30286.....	244
21592.....	140	30307.....	244, 262
21593.....	136, 222	30314.....	160, 204, 212
21672.....	294	30315.....	178
21746.....	108, 112	30346.....	142, 146
21761.....	126	30368.....	44, 150, 160
21762.....	136	30375.....	194
21763.....	40, 46, 64, 106, 114, 118, 186, 190, 194, 196, 198, 204, 208, 210, 216, 222, 258, 296	30387.....	32
21804.....	34, 178	30426.....	52, 54
21821.....	60, 66, 70, 86, 94, 98, 102, 106, 120, 202, 264, 268	30432.....	216, 220
21828.....	48		
21830.....	154, 184		
21844.....	46		

INDEX

30441.....	32	30971.....	48, 150, 198
30448.....	14	30981.....	212
30464.....	30	30994.....	178, 208
30492.....	90, 92, 98, 102, 106	31465.....	58
30500.....	46, 48	31774.....	18, 22
30504.....	86	32070.....	230
30505.....	74, 110	32247.....	140
30515.....	50	32743.....	226
30516.....	118	32744.....	226
30524.....	178, 258	32879.....	224
30542.....	62, 64, 96, 248	35689.....	8, 74, 286, 290
30549.....	40	38854.....	142
30551.....	190	39273.....	16
30574.....	38	40701.....	150, 190, 194, 208
30591.....	138	40702.....	150, 190, 194, 210
30610.....	48	40704.....	184, 186
30627.....	148	42008.....	42
30628.....	44	42045.....	90
30630.....	44	42046.....	76
30632.....	44, 52, 74, 144, 148	42072.....	222
30633.....	44	42080.....	76
30635.....	74	42130.....	226
30636.....	80, 270	42213.....	90
30638.....	40, 74	42415.....	76
30642.....	258	42447.....	128
30655.....	50	42469.....	56, 108, 112
30670.....	52, 54	42497.....	30
30682.....	140, 148, 276	42498.....	242
30693.....	58	42592.....	78, 90
30695.....	154, 178, 184	42879.....	100
30701.....	18, 22	43960.....	90
30702.....	18, 22	44209.....	178, 212
30715.....	94, 120	44210.....	198, 204
30716.....	120	44217.....	62
30743.....	250	44575.....	242
30753.....	64, 114, 186, 214, 216, 258, 264	44601.....	30
30813.....	178, 212	44944.....	226
30819.....	212	44995.....	30
30828.....	158	45155.....	62
30849.....	242	45157.....	14
30872.....	132	45661.....	116
30873.....	212	45744.....	118
30875.....	212	45783.....	88
30882.....	142, 146	45835.....	94, 96
30896.....	44	45948.....	8
30897.....	40	45954.....	122
30931.....	76	49227.....	190, 210
30936.....	62, 86	49232.....	194
30939.....	160	49341.....	252
30942.....	62, 296	49734.....	152
30947.....	78, 90	49842.....	180
30949.....	90	49844.....	180
30955.....	66	49846.....	180, 198, 200, 202, 204, 246
30970.....	150, 184	49849.....	180

INDEX

49866.....	170, 174	109081.....	96, 128
49867.....	172, 176	109088.....	96
49872.....	170, 174	109093.....	92
49874.....	172, 176	109099.....	88
49879.....	172, 176	109102.....	126
49880.....	172	109110.....	88
50022.....	50, 108, 112, 214, 216, 218, 220	109113.....	88
50040.....	138, 146, 150	109205.....	232
50069.....	46	109244.....	122
50071.....	52, 110, 114, 214	109288.....	116
50075.....	118	109297.....	118
50076.....	46, 120	109299.....	116
50097.....	154	109302.....	116
50101.....	82	109306.....	118
50104.....	212	109312.....	130, 260
50109.....	52, 54, 254	109313.....	134
50148.....	140	109324.....	82
50154.....	148	109326.....	82
50155.....	50, 110, 114, 214, 216	109335.....	130
50157.....	206	109344.....	116
50174.....	18, 22	109346.....	116
50175.....	204	109350.....	76, 118
50186.....	8, 10, 14, 44, 46, 74, 80, 132, 136, 140, 150, 202, 262, 266, 274	109362.....	84
50193.....	38	109407.....	134
50220.....	154, 198	109410.....	134
50225.....	40, 136, 202	109422.....	134
50230.....	184	109425.....	134
50231.....	172, 176	109453.....	128
53157.....	260	109456.....	128
100456.....	8, 10, 40, 264	109457.....	128
100577.....	156, 182, 202, 206, 260	109463.....	128
100790.....	160, 178, 212	109470.....	116
101007.....	38	109472.....	116
101375.....	232	109474.....	120, 128
102264.....	30, 40, 252	109477.....	116
102265.....	40	109478.....	116
102636.....	4, 32, 40, 250	109479.....	116
102711.....	156	109482.....	116
103575.....	154	109483.....	116
103738.....	194	109487.....	130
103837.....	128	109488.....	130
105066.....	8	109502.....	116
105173.....	120	109505.....	128
105197.....	262	109525.....	92
106717.....	160, 210, 212, 246	109528.....	88
107201.....	12	109534.....	230
108233.....	178, 212	109536.....	82
108268.....	212	109538.....	82
109071.....	120	109545.....	220
109072.....	120	109568.....	92
109073.....	116	109570.....	92
109078.....	92	109571.....	92
109080.....	128	109573.....	92
		109574.....	128

INDEX

109576	128	109778	82
109578	96	109779	116
109579	96	109788	116
109585	84	109789	76
109592	94	109790	76
109593	94	109795	100, 106
109598	84	109796	100, 106
109601	84	109797	100, 106
109603	84	109807	134
109611	116	109809	134
109614	96	109812	124
109617	42	109818	134
109622	88	109822	84
109626	100, 106	109824	96
109627	128	109825	96
109637	128	109826	128
109643	126	109834	82
109644	126	109835	216
109684	130	109837	76
109688	130	109842	230
109690	130	109843	226
109691	130	109844	226
109695	88	109845	122
109696	88	109846	122
109697	88	109847	122
109699	76, 118, 130	109848	122
109701	84, 128	109849	122
109702	128	109850	122
109714	130	109851	122
109716	230	109852	122
109717	82	109853	122
109718	92	109854	122, 124
109721	82	109855	122
109729	76	109856	124
109732	84	109857	124
109734	76	109858	124
109735	76	109859	124
109739	84	109860	124
109742	128	109861	124
109743	84	109862	122
109745	84	109863	122
109748	116	109864	122
109750	130, 134	109865	124
109751	116	109868	226
109755	220	109887	88
109759	96	109888	96
109761	76	109904	34
109762	92	109908	88
109763	130	109914	118
109764	92	109915	118
109766	92	109918	92
109773	92	109919	92
109776	88	109920	100
109777	88	109922	100

INDEX

109923	100	110597	14
109924	100	110598	14
109925	100	110600	14
109926	100	110615	14
109928	100	110677	62
109929	100	110680	60
109930	100	110701	62
109932	118	110702	62
109934	58	110735	2
109951	216	110737	2
109953	216	110756	20
109956	216	110763	108, 112
109962	216	110773	72
109968	122	110776	6
109971	122	110807	48
109980	88	110817	8, 64, 72
109993	220	110824	38
109995	94, 96	110834	108, 112
109996	88	110848	16
110135	48	110853	30
110246	48	110875	64
110248	48	110882	64
110264	68, 88	110883	64
110265	68, 88	110885	64
110266	68, 88	110897	62
110267	68, 88	110898	62
110268	68, 88	110908	64
110279	12	110921	138
110354	8, 72	110922	138
110386	64	110928	64
110395	58	110955	134
110400	214	110957	134
110416	68	110967	62, 294
110417	68	110968	64
110446	84	110969	62
110456	72	110971	38
110457	72	110976	4
110458	68	110977	138, 244
110461	72	110982	196
110467	72	110986	226
110475	72	110988	232
110477	70	110989	226
110544	208, 210	110990	232
110546	208	110991	8
110547	200	111060	100, 106
110584	14, 16, 18, 20, 22	111093	170, 174
110585	10	111099	168, 172, 176
110586	218	111105	172, 176
110588	6	111216	16
110591	6	111221	230
110592	6	111266	160
110593	6	111312	190
110594	6	111323	194
110595	6	111324	192

INDEX

111326	192	111868	166
111327	192	111869	166
111328	194	111870	166
111344	42	111871	166
111391	108, 114	111872	166
111426	190	111873	168
111440	46	111874	166
111442	46	111875	166
111465	216	111876	166
111504	220	111878	166
111505	220	111879	166
111506	220	111880	166
111511	142, 146	111881	166
111514	150	111882	168
111516	142	111883	168
111521	142, 146	111884	168
111528	144, 148	111885	168
111556	194	111886	168
111557	194	111887	168
111564	190	111888	168
111566	190	111889	168
111579	160, 166	111890	168
111591	214	111891	168
111599	138, 244	111892	168
111608	48	111893	168
111632	130	111895	152, 276
111634	258	111896	152, 276
111643	60	111897	152, 276
111652	52	111898	152, 276
111665	142	111899	152
111667	216	111900	152
111672	220	111901	152
111677	142, 146	111902	152
111693	160	111903	152
111694	26	111905	152
111695	24	111906	152
111699	24, 26	111907	152
111700	196	111908	152
111713	220	111909	152
111763	138	111910	152
111772	142, 146	111911	152
111780	244	111912	152
111811	138, 146	111913	152
111834	244	111914	152
111857	168	111915	152
111858	166	111916	152
111859	166	111919	152
111860	168	111965	152
111862	166	111972	46
111863	166	111974	42
111864	166	111975	50
111865	166	111976	50
111866	166	111981	208
111867	166	111982	208

INDEX

111983	208	113799	132
111984	208	113851	158
111985	208	115145	94, 232
111986	208	115146	94, 232
111990	134	115147	94, 232
112095	48	115148	230
112128	12, 160	118029	70, 140
112129	12	122080	252
112130	160	122090	252
112142	48	123084	132
112149	64	131271	96
112153	48	131388	84
112154	48	131412	222
112184	30, 160, 178, 258	132531	138
112197	48, 184	133043	196
112221	70, 268	133209	40
112225	250	134003	8, 64, 72, 286, 290
112230	190	134010	252
112419	48, 184, 198	134011	252
112438	18	134043	128
112442	18	134068	226
112475	24, 26, 28	134069	232
112625	38	134070	226
112640	4, 30, 220	134079	254
112662	108, 112	134106	280
112691	38	134173	46
112692	108, 112	134187	42
112727	30	134198	48
112740	32	134360	280
112751	30	134437	184
112752	30, 252	134764	220
112759	34	134837	220
112789	30	135015	178, 208
112798	34	135148	224
112803	34	135156	10, 288, 292
112804	34	135158	78, 132
112817	4	135159	70, 78, 132
112818	4	135161	128
112854	48, 154	135172	40
112868	188	135192	188, 282
112869	40	135203	220
112873	2	135206	204
112901	38	135207	220
112903	38	135208	220
112907	34	135210	220
112908	34	135213	204
112914	250	135215	220
112916	30	135217	220
112939	190	135218	220
112940	194	135219	220
112973	38, 94, 240	135220	220, 222
112994	34	135224	68
112995	34	135225	12
112997	134	135227	186

INDEX

135235	40, 46, 190, 200	135687	220
135236	188, 280	135708	280
135237	200	135709	110, 114, 186, 188, 282
135238	208	135716	46, 112, 196, 200
135246	48, 200	135734	198
135248	82, 98, 110, 114, 262, 266	135759	52, 54
135258	94, 96, 296	135762	188
135266	192	135780	178
135281	36, 40	135784	204
135293	216	135786	48, 198
135296	14	135787	198, 204
135301	86, 264	135788	150
135304	148, 276	135789	154, 198
135312	212	135791	198
135313	200	135799	36, 40
135314	200	135817	196
135322	4	135818	196
135349	120	135821	198
135361	200	135860	204
135363	16, 20	135861	184
135364	198	135862	184
135369	144	135866	178
135370	16, 20	135867	48, 198, 204, 282
135378	240, 254	135868	150, 154, 198, 204, 294
135381	80, 274	135869	188, 282
135408	242	135874	258
135410	10, 286, 292	135901	150, 160
135436	14	135908	10
135441	4	135926	74
135453	40	135931	164
135458	220	135952	202, 204
135459	220	135953	204
135460	144, 148, 276	135963	52, 54
135469	102	135966	54, 264, 270
135474	280	135982	52
135479	200	136016	160
135502	44	136027	144, 148, 160, 276
135513	56	136034	186
135528	142, 146	136036	80
135529	142, 146	136057	56
135531	52, 54	136079	266
135542	140	136130	54, 270
135554	198, 200	136166	136
135564	160	136209	12, 86
135570	10	136485	46
135587	178	136558	50, 146
135588	154	136605	222
135611	24, 26, 28	136608	120
135616	142, 146	136652	164, 184
135623	70, 264	136655	296
135625	220	136707	104
135640	136	136708	104
135647	134	136709	104
135657	144, 148, 276	136795	178

INDEX

136807	294	138505	206
136808	294	138506	206
136809	294	138511	52
136813	294	138515	42
136814	294	138534	52, 54
136825	286	138540	42
136826	292	138553	58
136827	290	138562	56
136829	286	138569	108, 112
136871	296	138572	56
137727	140	138573	58
138036	134	138575	42
138057	80	138576	58
138058	80	138578	58
138086	96	138584	56
138087	96	138593	138
138124	280	138608	200
138127	188	138615	46
138130	188	138619	46
138163	80	138620	46
138191	134	138634	138
138209	100	138640	138
138211	76	138674	52, 54
138238	256	138679	52, 54
138245	154	138680	56
138259	96	138685	52, 54
138260	96	138690	218
138269	248	138706	108
138272	188, 280	138709	280
138273	188, 280	138732	142
138281	240	138749	154
138296	60	138762	188, 280
138302	186	138764	188, 280
138335	134	138765	188
138340	266	138766	188, 280
138344	200	138772	34
138345	200	138773	34
138359	198	138774	186
138364	60	138775	186
138377	60	138776	186
138380	60	138777	186
138388	52, 54	138778	186, 202
138392	60	138779	186
138404	60	138786	194
138416	60	138787	194
138452	266	138793	62
138464	256	138799	96
138465	256	138814	196
138473	48	138815	196
138477	42	138830	52
138479	42	138843	42
138495	52	138846	46
138501	52	138847	52
138504	42	138855	280

INDEX

138896	196	139270	42
138916	142	139277	10
138917	208	139284	10
138920	48, 198	139286	186
138928	200	139292	10
138929	200	139302	188
138930	100, 106	139304	8
138932	200	139307	46
138934	100, 106	139322	142, 146, 276
138936	204	139366	216
138937	204	139381	134
138947	200	139409	46
138950	94	139411	72
138972	100	139435	8
138973	194	139462	8
138990	100, 106	139463	8
138994	76	139467	100
139015	238	139501	204
139026	76	139502	62
139027	100, 106	139506	100
139029	76	139508	200
139034	76	139516	8
139041	184	139519	100
139062	108, 112	139521	188
139063	214	139522	188
139066	50	139535	68
139068	48	139536	68
139069	216	139542	200
139077	52, 54	139543	180
139078	52, 54	139544	202, 204
139082	68	139545	202, 204
139083	52	139546	202
139095	62	139547	202
139117	58	139548	202
139119	138	139549	202
139120	76	139550	202
139121	76	139552	202, 204
139128	180	139553	202
139129	180	139554	202
139130	182	139555	202
139131	182	139556	202
139132	182	139557	204
139134	30	139558	204
139149	100, 106	139560	156
139154	258	139561	156
139197	10	139562	156
139203	10	139563	156
139210	10	139566	156
139212	8	139567	156
139218	10	139568	156
139220	62	139569	156
139225	76	139570	158
139234	8	139571	158
139264	8	139572	156

INDEX

139573	156	139825	266
139574	156	139830	206
139575	156	139837	134
139576	156	139839	134
139577	156	139841	8
139578	156	139891	264
139579	156	139904	264
139580	156	139912	264
139581	156	139917	68, 270
139582	156	139921	270
139583	158	139927	270
139584	156	139928	270
139585	156	139934	54, 270
139586	156	139936	184
139587	156	139943	54, 270
139588	156	139945	54, 270
139589	156	139946	54, 270
139590	158	139952	42, 272
139591	158	139956	42, 272
139600	234	139971	84
139609	234	139974	210, 246
139610	234	139986	266
139611	234	139991	264
139616	42	139995	270
139620	42	140246	18, 22
139621	154	140247	18, 22
139626	96	140248	18, 22
139630	96	140249	18, 22
139631	96	140250	18, 22
139632	96	142825	52
139633	96	148800	148
139635	134	149817	20, 22
139648	188, 280	149818	20, 22
139649	188, 280	152274	80
139667	200	152668	264
139668	226	152732	36, 40
139683	82	156051	154
139689	52, 54	156424	116
139722	184	156848	38
139723	232	156849	38
139724	38	156886	38
139725	238	158174	202
139750	8	158704	262
139775	184	158722	222, 262
139776	42	159038	212
139777	42	160104	130
139781	80	160107	128
139782	80	160108	232
139792	202	160109	96
139795	186	160188	86
139799	52, 54	160189	86
139803	198	160192	86
139814	272	160195	130
139818	234	160197	86

INDEX

160199	130	162436	24, 28
160202	86, 264, 270	163088	242
160258	130	163120	208
160275	118	163125	200
160276	118	163142	180, 246
160278	130	163143	182, 210, 246
160281	96	163144	180
160288	88	163146	180
160293	88	163148	182
160358	94	163149	202
160359	94	163150	182
160360	94	163151	182
160367	230	163152	180
160368	92	163153	180
160373	82	163154	182, 204, 210, 246
160375	92	163155	180, 246
160376	92	163157	180
160378	248	163160	180, 182, 202, 204, 210, 246
160379	248	163162	182
160396	226	163163	180
160408	94	163166	200
160409	94	163167	202
160414	92	163168	202
160422	226	163173	202
160427	228, 236	163175	180
160429	226	163178	202
160533	110, 114	163180	204
160607	92	163184	210, 246
161106	254	163189	180
161140	16, 18, 20, 22	163190	180, 246
161226	12	163191	182, 204, 210, 246
161378	4, 62, 76	163192	182
162019	24	163193	180
162022	24, 28	163196	162
162056	168	163197	162
162057	168	163198	164
162118	42	163199	162
162152	142, 146	163200	162
162156	142, 146	163206	162
162159	142, 146	163208	162
162204	204	163211	162
162283	200	163212	162
162284	200	163214	164
162287	202	163215	162, 164
162295	24, 26	163217	164
162307	154	163218	162, 164
162339	134	163220	162
162399	164	163221	162
162403	164	163222	164
162426	144, 148, 276	163223	164
162428	164	163224	164
162429	162	163225	164
162431	26	163227	164
162435	24, 26, 28	163228	164

INDEX

163230	162	166171	244
163231	164	166181	130
163232	164	166202	250
163233	164	166209	42
163234	162	166228	18
163237	162	166230	228, 238
163254	200	166232	228, 236
163298	234	166233	228, 236
163299	234	166234	228, 236
163310	30	166235	228, 236
163368	42	166236	228, 238
163373	36	166263	228, 236
163386	218	166264	228, 238
163396	38	166271	220
163438	116	166273	232
163466	38	166274	92
163469	138	166275	2
163504	234	166276	236
163549	62	166278	236
163561	226	166295	236
163562	226	166296	238
163601	24	166300	236
163622	162	166305	162, 164
163639	48	166308	238
163643	30	166309	236
163676	34	166312	46
163698	64	166318	216
163736	170, 174	166322	238
163737	170, 174	166323	238
163738	170, 174	166324	228, 236
163744	170, 174	166325	238
163745	172, 176	166326	238
163746	172, 176	166384	58
163747	172, 176	166388	238
163748	170	166417	88
163749	170, 174	166418	88
163750	170, 174	166421	8
163751	170, 174	166425	228
163752	170, 174	166426	150
163753	170, 174	166432	62
163756	170, 174	166434	58
163757	170, 174	166438	228
163762	170, 174	166439	228
163905	60	166441	228
163954	68	166446	30
163971	2	166447	30
163989	48	166451	290
166002	108, 112	166454	228
166003	108, 112	166455	228
166020	266	166456	228
166021	266	166461	228
166067	16, 20	166466	228, 238
166132	72	166468	262
166154	92	166469	260

INDEX

166472	230	167510	80, 278
166473	236	167511	80, 278
166497	230	167513	278
166501	198	167522	274
166502	236	167523	80, 274
166509	232	167544	274
166521	58	167545	274
166575	230	167551	80, 274
166576	230	167584	64
166639	80	167585	64
166640	80	167586	64
166641	80	167589	64
166642	80	167702	76
166644	80	167713	64
166694	174	167727	234
166700	178	167758	128
166705	230	167762	210, 246
166706	236	167763	200
166707	236	167769	68
166712	232	167865	216, 280
166713	30	167876	64
166727	230	167884	248
166729	24, 26	167889	128
166743	178	167896	232
166747	178	167897	232
166748	114	167903	232
166752	112	167910	142, 146
166753	38	167942	60
166757	72	167946	62
166758	72	167949	12
166826	80	167952	12
166827	80	167956	64
166830	60	167962	232
166844	188	167969	232
166846	216	167971	90
166985	214	167983	64
167078	68	167984	64
167273	178	167998	266
167344	198	172259	80, 202, 274
167411	54, 270	172986	38, 192, 194
167412	54, 270	173006	260
167416	264	173016	260
167417	264	173029	260
167418	264	173040	262
167423	272	173066	260
167434	266	173091	260
167440	264	173113	260
167447	100	173115	260
167458	54	173116	260
167502	228	173117	260
167503	126	173118	262
167504	228	173139	260
167505	86	173140	260
167509	80, 278	173155	260

INDEX

173164	130	183220	72
173170	260	183221	72
173208	260	183222	72
173222	260	183223	72
173547	260	183224	72
173559	262	183227	64
173560	262	183232	110
173561	262	183234	130
173562	260	183242	72
173563	260	183243	72
173564	260	183253	90
173575	260	183254	222
173590	262	183255	130
174436	228, 236	183258	216
174708	212	183259	118
182087	292, 294	183260	108, 112
183021	254	183261	108
183022	254	183262	108
183030	216	183263	108
183097	216	183264	108, 112
183150	124	183265	108, 112
183160	68	183273	108, 112
183161	68	183275	116
183162	84	183277	116
183166	134	183279	116
183168	10	183294	128
183170	134	183308	76
183172	190	183309	76
183174	150	183310	76
183179	232, 264	183313	230
183180	264	183314	232
183181	238	183315	90
183184	150, 190	183316	222
183185	108	183317	116
183187	200	183318	222
183188	200	183319	222
183189	200	183335	88
183190	200	183338	232
183191	48	183344	124
183192	48	183347	222
183194	264	183348	222
183195	68, 264	183353	112
183196	68, 264	183354	112
183199	108, 112, 264	183357	112
183202	104, 108, 112	183358	214
183203	104, 108, 112	183364	170
183204	100, 104, 108, 112	183365	170, 174
183206	154	183368	174
183209	80	183370	170, 174
183211	178, 208	183371	170
183212	130	183372	174
183213	130	183373	170, 174
183216	130	183374	172, 176
183218	132	183377	162

INDEX

183386	104	183704	154
183387	104	183707	284
183388	104	183708	284
183389	104	183709	284
183390	104	183710	54
183391	104	183715	160, 162
183392	104	183718	162
183394	104	183748	266
183395	104	183763	68
183396	104	183798	178, 180
183397	104	183814	146
183398	104	183820	30
183409	4	183821	30
183410	4	183838	68
183411	232	183845	54
183412	230	183846	34, 38
183413	92	183852	238
183414	16, 20	183858	90
183416	18, 22	183859	216, 280
183418	18, 22	183874	130
183420	12	183905	48
183424	72	183913	134
183425	76	183915	154
183427	34	184386	290
183428	34	184461	178, 198
183443	112	184463	48, 150, 154
183444	112	184539	274
183445	200	184548	286, 292
183455	268	184579	56
183464	268	184608	50
183465	68, 268	184705	264
183493	184	184711	148, 276
183494	184	184712	264, 270
183495	198	187142	158
183505	184	187242	50
183509	184	194043	188
183515	42	197230	92
183516	214	198323	280
183519	184	201693	84
183521	184	201746	106
183525	150, 284	201784	28
183529	272	201785	28
183543	34	202041	84
183544	104	202551	130
183545	104, 106	203048	152, 276
183562	232	203996	296
183563	238	204064	62
183607	284	204076	68
183608	284	204474	160, 170
183609	284	204556	48
183623	276	204646	68
183627	162	204938	28
183675	164	204942	160, 174
183699	182	204985	28

INDEX

204993	28	206885	286
205009	28	207225	104
205188	176	207516	146
205354	294	207521	146
205397	28	208038	124
205456	104	208040	124
205873	150	208134	86
205900	296	208135	84
206222	286	208480	146
206271	290	208482	146
206278	290	208642	30
206286	292	208647	34
206292	286	208648	34
206294	296	208650	260
206295	286	208661	84
206301	286	208699	276
206302	286	208962	76
206304	290	208986	86
206306	286	209018	114
206307	286	209047	76
206308	286	209214	84
206309	292	209216	86
206311	290	209374	142, 146
206312	290	209598	146
206313	290	209802	12
206314	290	209803	12
206316	286	209888	60
206325	294	220841	212
206326	294	220908	182
206327	294	236033	280
206328	294	252232	188, 282
206333	296	252261	66
206388	290	252416	86
206391	286	252561	230
206393	286	252705	284
206395	286	252755	266
206396	292	252756	266
206452	296	268274	280
206487	68	294350	208
206609	148	306022	156
206640	286	306026	156
206648	52, 54	306039	156
206661	34, 38		
206810	296		
206811	296		
206818	296		
206855	286		
206859	290		
206860	290		
206861	290		
206863	290		
206864	290		
206865	290		
206868	290		
		B	
		B4632	24
		B4633	26
		B4634	24
		B4640	18
		B4641	20
		B4642	16
		B4643	22
		B4650	38

INDEX

B4659	250
B4664	250
B4665	38
B4802	244
B4866	82
B4944	24
B5238	252
B5240	252
B5269	246
B5280	252
B5303	30
B5412	254
B5440	256
B5442	4
B5491	198
B5492	204
B5496	208
B5497	188, 280
B5506	26
B5574	258
B5582	248
B5589	260
B5596	96
B5659	42, 272
B5805	264
B5888	28
B5889	28
B5890	28
B5891	28
B5926	286, 290, 294, 296
B6422	266, 270

MacDon Industries Ltd.

680 Moray Street
Winnipeg, Manitoba
Canada R3J 3S3
t. (204) 885-5590 f. (204) 832-7749

MacDon, Inc.

10708 N. Pomona Avenue
Kansas City, Missouri
United States 64153-1924
t. (816) 891-7313 f. (816) 891-7323

MacDon Australia Pty. Ltd.

A.C.N. 079 393 721
P.O. Box 103 Somerton, Victoria, Australia
Australia 3061
t.+61 3 8301 1911 f.+61 3 8301 1912

MacDon Brasil Agribusiness Ltda.

Rua Grã Nicco, 113, sala 202, B. 02
Mossunguê, Curitiba, Paraná
CEP 81200-200 Brasil
t. +55 (41) 2101-1713 f. +55 (41) 2101-1699

LLC MacDon Russia Ltd.

123317 Moscow, Russia
10 Presnenskaya nab, Block C
Floor 5, Office No. 534, Regus Business Centre
t. +7 495 775 6971 f. +7 495 967 7600

CUSTOMERS

MacDon.com

DEALERS

Portal.MacDon.com

Trademarks of products are the marks of their respective manufacturers and/or distributors.

Printed in Canada