

**MacDon®**

**R85**  
**16-Foot Rotary Disc Pull-Type Mower  
Conditioner**

Operator's Manual

169456\_SUPPLEMENT Revision D

Original Instruction

*The harvesting specialists.*

## **Purpose of Supplement**

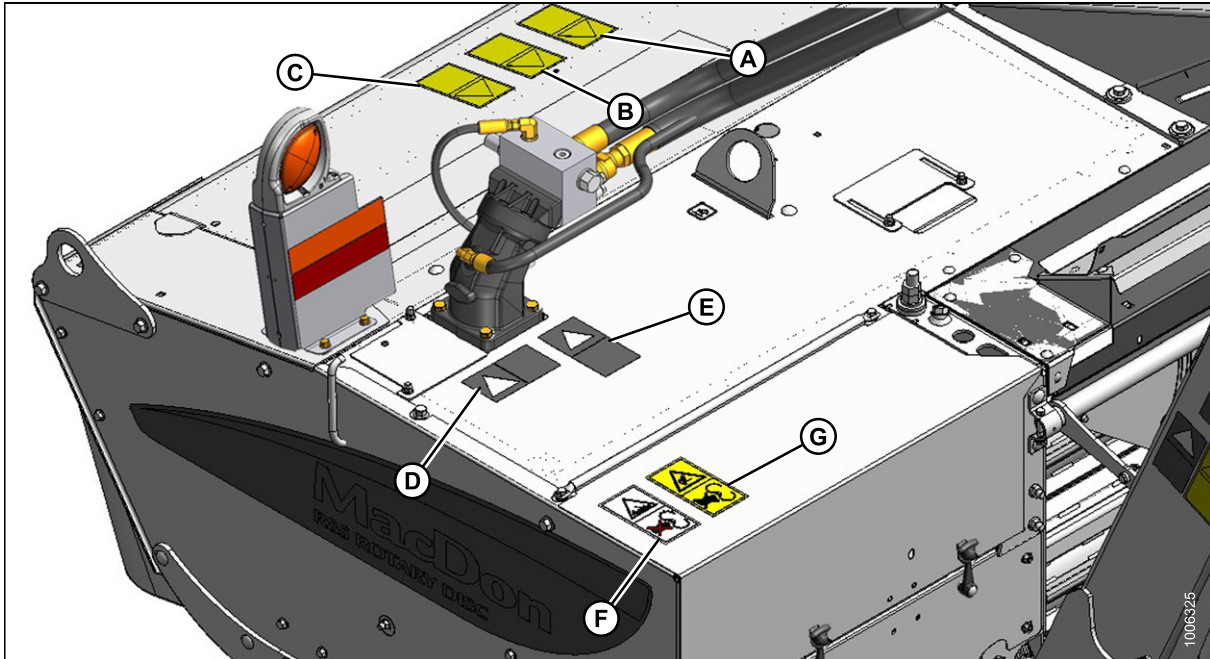
After your operator's manual was printed, a decal was added to the R85 mower conditioner hitch to alert the Operator that the transport lock pin must be in place before transport.

Replace the following pages of the R85 Operator's Manual, MD #169456 Revision D, with the pages provided in this supplement:

- Safety Decal Location - pages 9–12
- Understanding Safety Signs - pages 13–19
- Preparing Mower Conditioner for Transport - pages 74–75

# 1 Safety

## 1.1 Safety Decal Locations



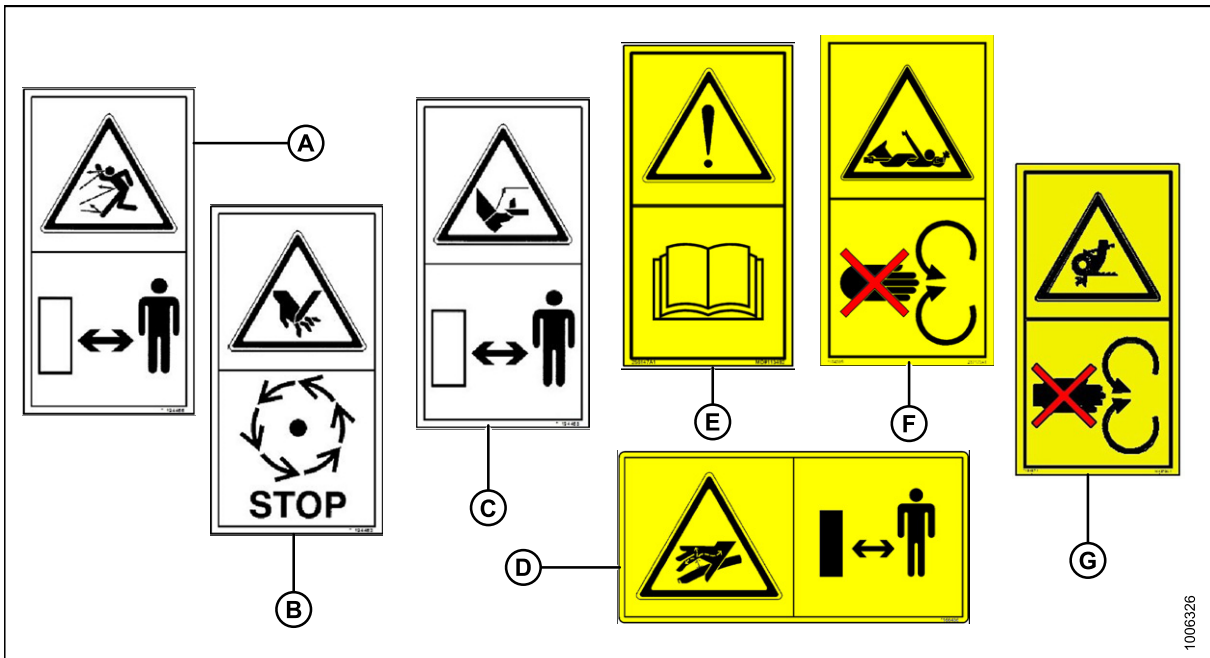
**Figure 1.1**

A - MD #194466 (2 Places)  
E - MD #113482

B - MD #194463 (2 Places)  
F - MD #184385

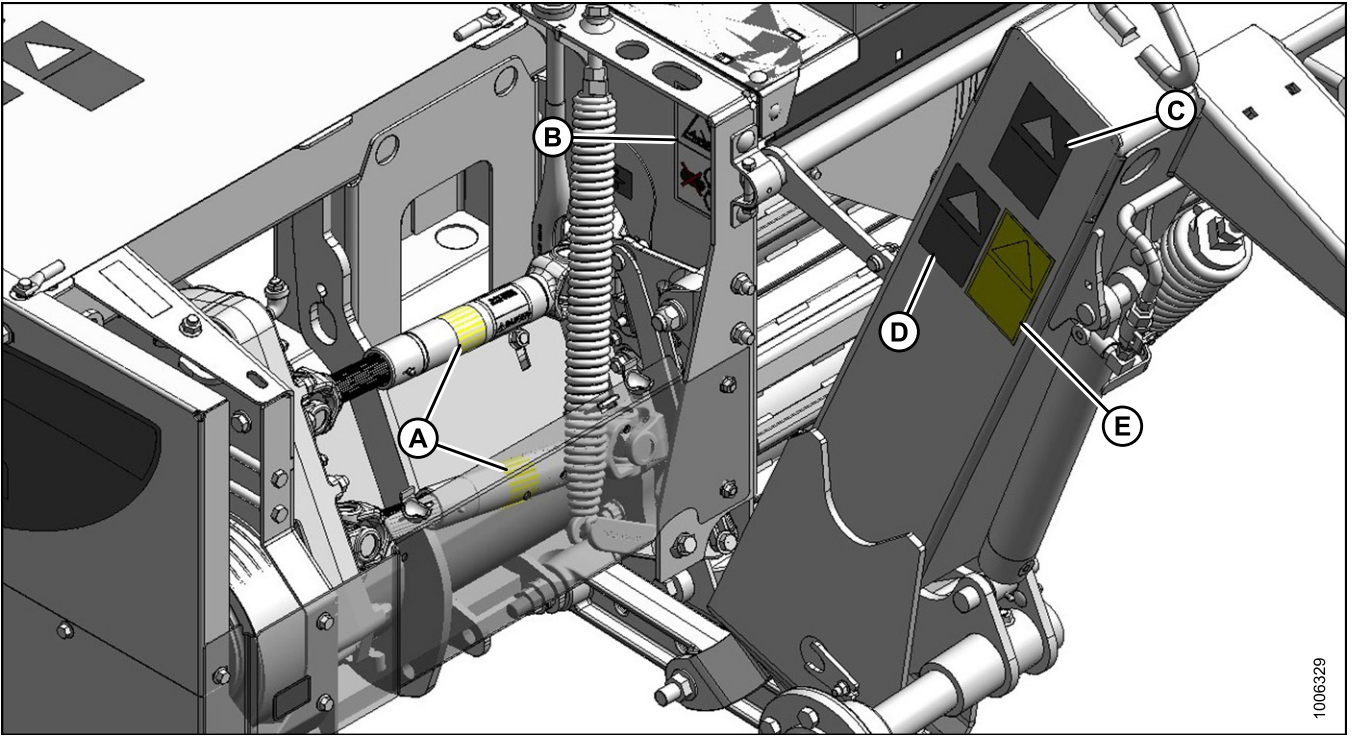
C - MD #194465 (2 Places)  
G - MD #184371

D - MD #166466



**Figure 1.2: Safety Decals**

**SAFETY**



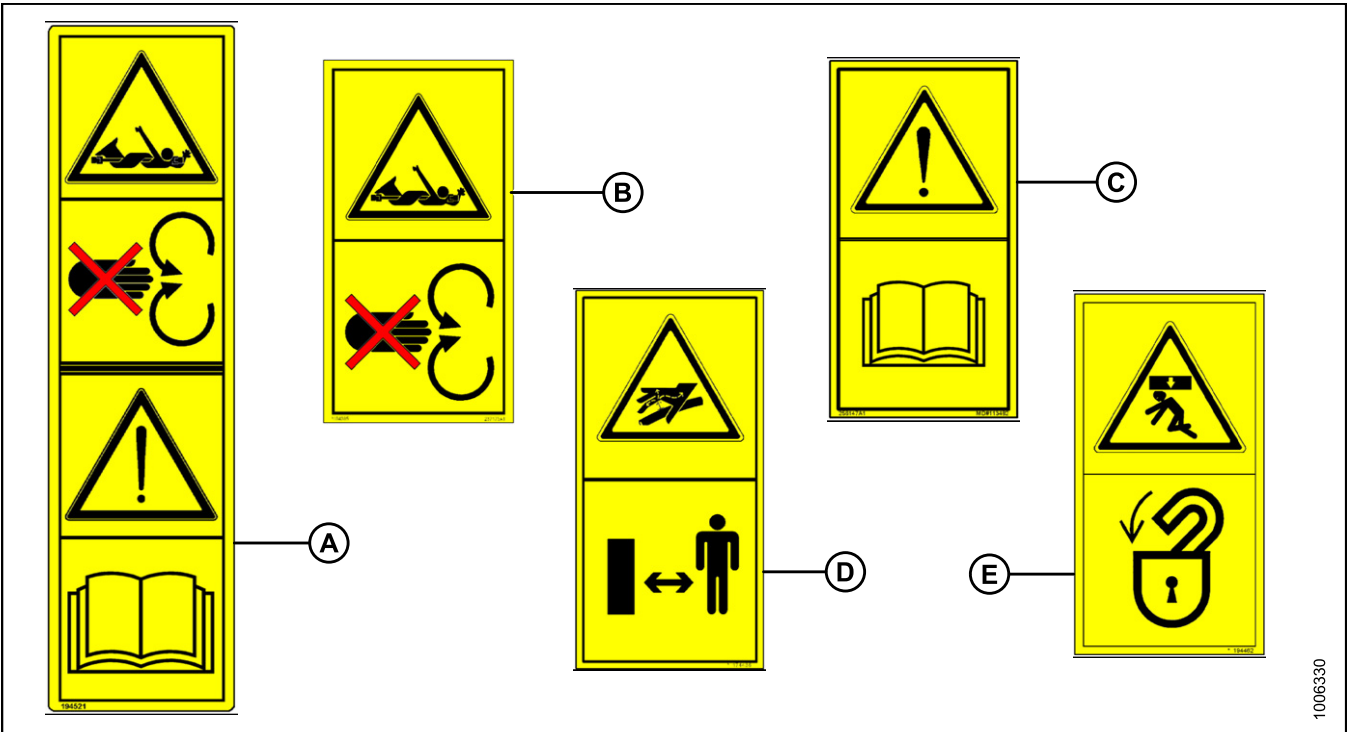
1006329

**Figure 1.3**

A - MD #194521  
D - MD #174436

B - MD #184385  
E - MD #194462 (Both Sides)

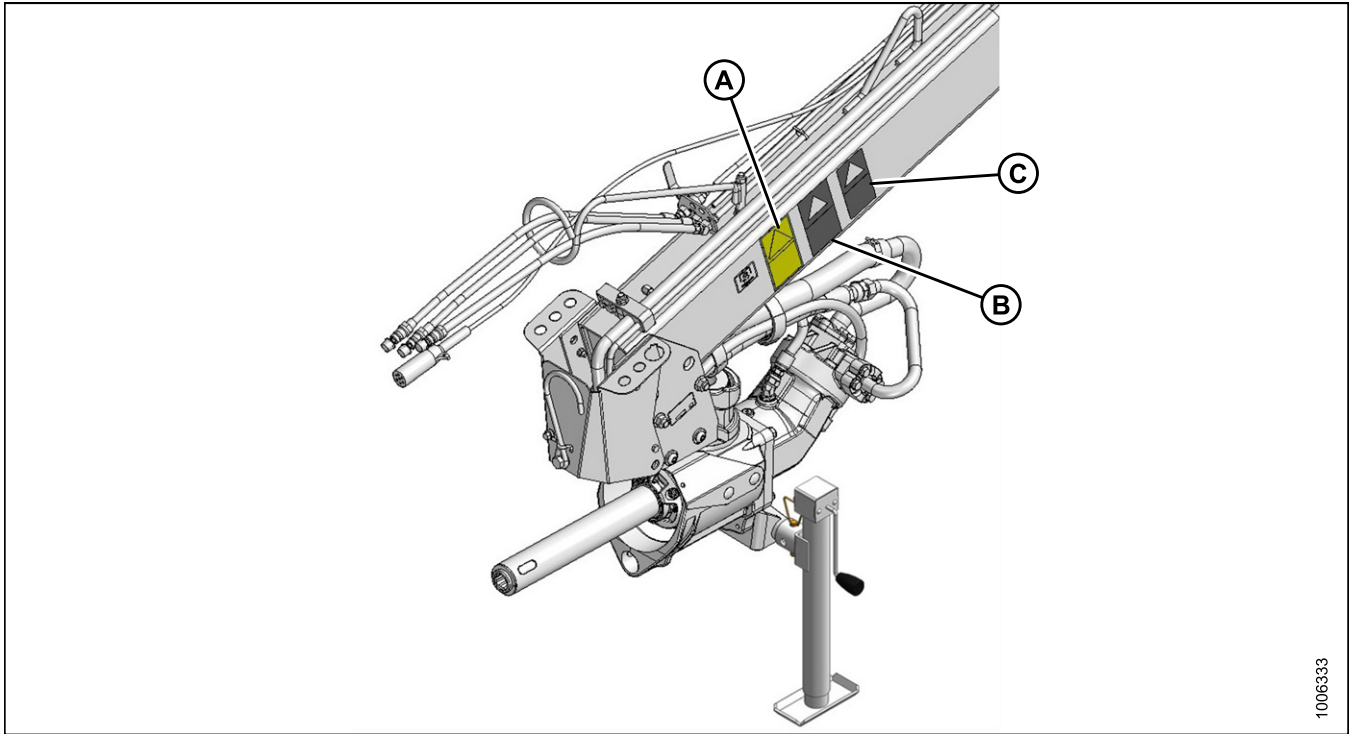
C - MD #113482



1006330

**Figure 1.4: Safety Decals**

# SAFETY



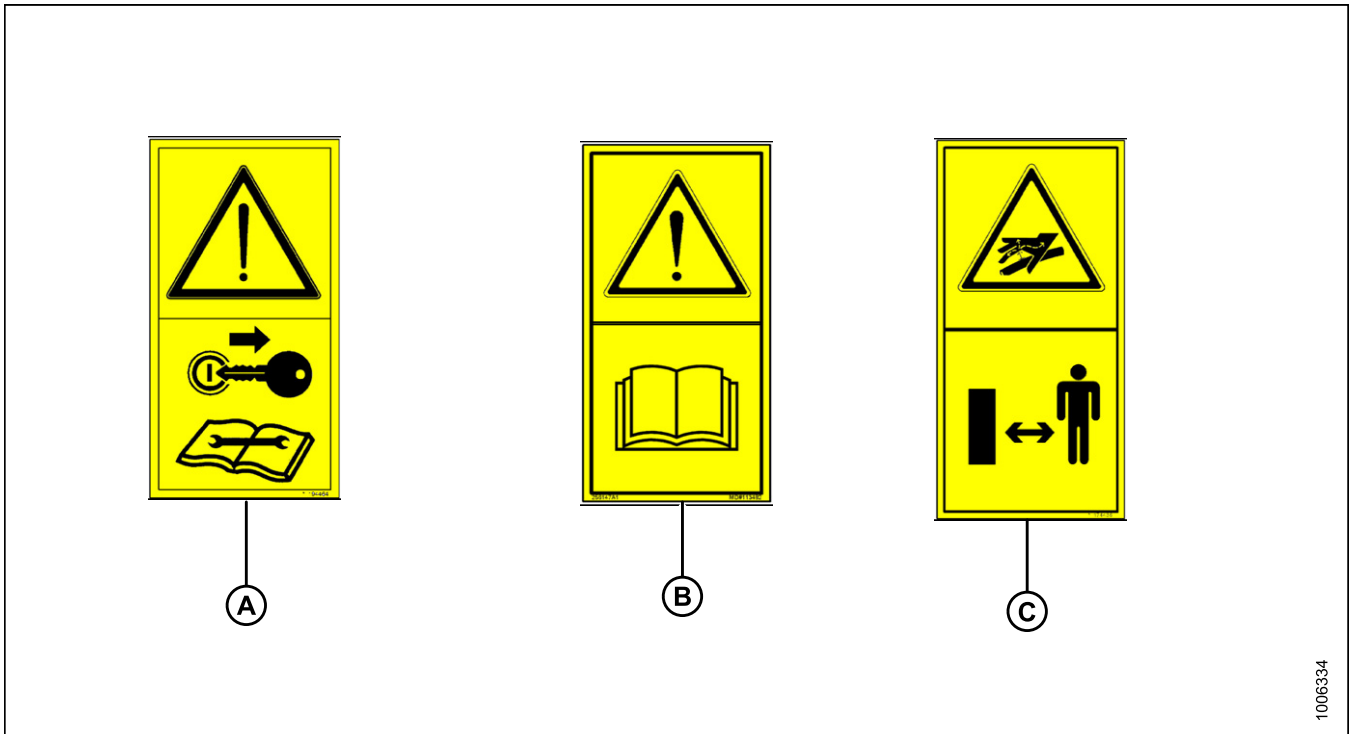
1006333

**Figure 1.5**

A - MD #194464

B - MD #113482

C - MD #174436



1006334

**Figure 1.6: Safety Decals**

SAFETY

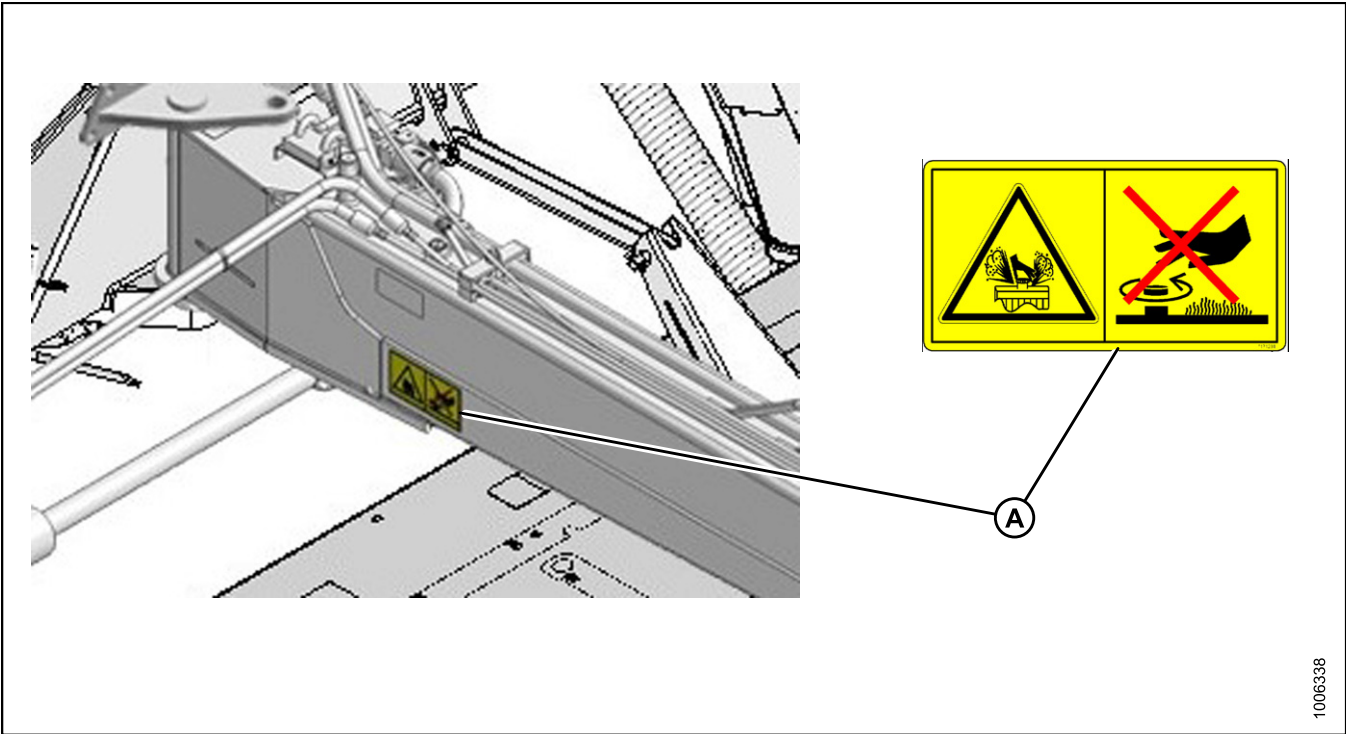


Figure 1.7

A - MD #171281 (Both Sides)

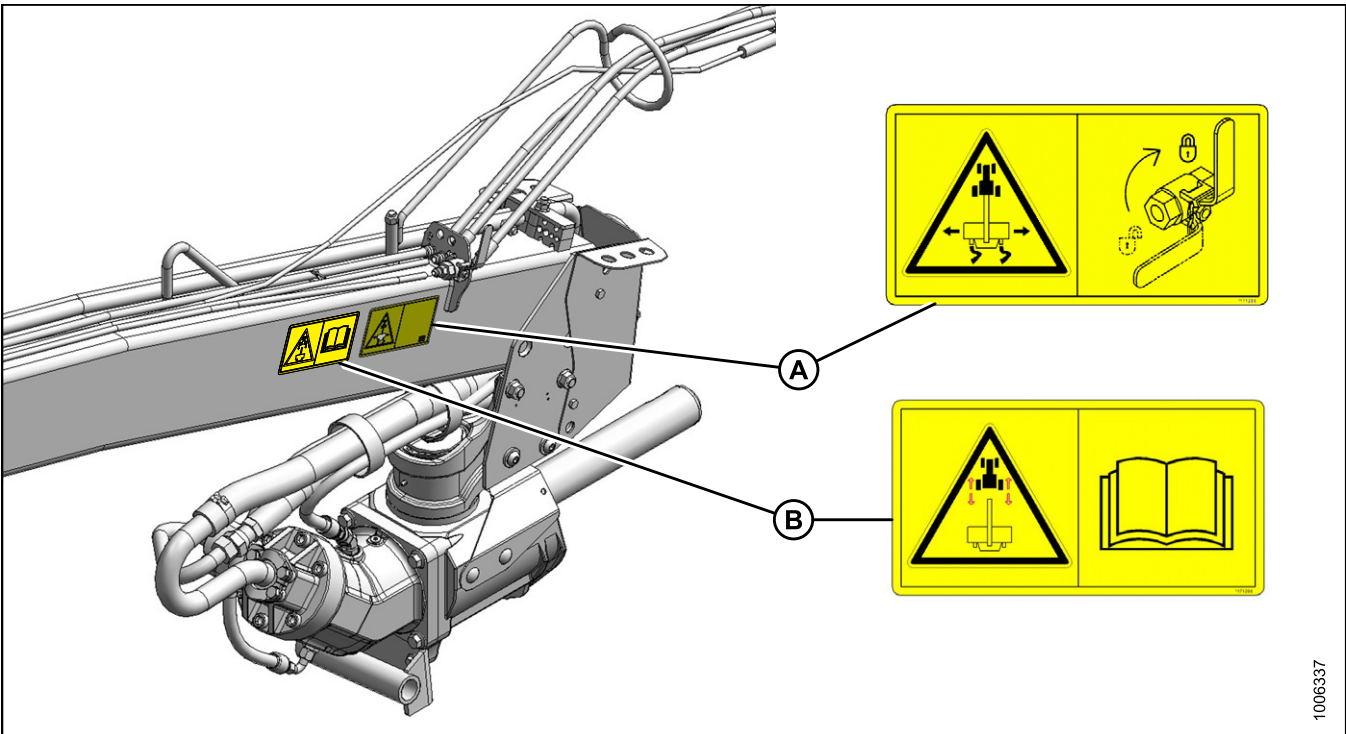


Figure 1.8

A - MD #171286

B - MD #171298

## 1.2 Understanding Safety Signs

### MD #113482

General hazard pertaining to machine operation and servicing

#### CAUTION

To avoid injury or death from improper or unsafe machine operation:

- Read the operator's manual and follow all safety instructions. If you do not have a manual, obtain one from your Dealer.
- Do not allow untrained persons to operate the machine.
- Review safety instructions with all Operators every year.
- Ensure that all safety signs are installed and legible.
- Make certain everyone is clear of machine before starting engine and during operation.
- Keep riders off the machine.
- Keep all shields in place, and stay clear of moving parts.
- Disengage header drive, put transmission in Neutral, and wait for all movement to stop before leaving operator's position.
- Shut down the engine and remove the key from ignition before servicing, adjusting, lubricating, cleaning, or unplugging machine.
- Engage safety props to prevent lowering of header or reel before servicing in the raised position (refer to the header operator's manual).
- Use slow moving vehicle emblem and flashing warning lights when operating on roadways unless prohibited by law.

### MD #166466

High pressure oil hazard

#### WARNING

- Do not go near leaks.
- High pressure oil easily punctures skin causing serious injury, gangrene, or death.
- If injured, seek emergency medical help. Immediate surgery is required to remove oil.
- Do not use finger or skin to check for leaks.
- Lower load or relieve hydraulic pressure before loosening fittings.

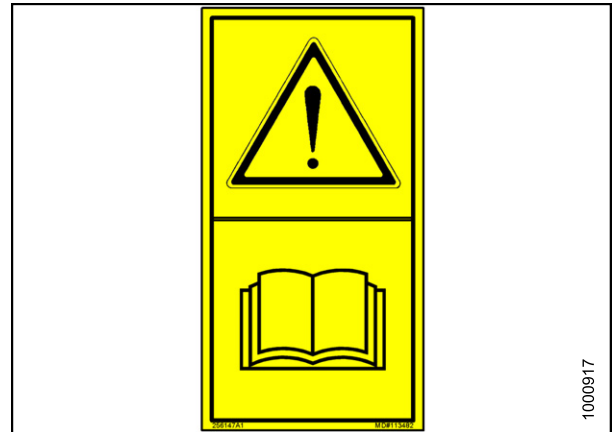


Figure 1.9: MD #113482



Figure 1.10: MD #166466

## SAFETY

### MD #171281

Hot fluid under pressure

#### CAUTION

- Coolant is under pressure and may be hot. Never remove radiator cap when engine is hot.



Figure 1.11: MD #171281

### MD #171286

Lock pull-type hydraulic for transport

#### WARNING

- Charge cylinder with oil before towing.
- Rotate valve handle to lock in transport position.
- Maximum towing speed 20 mph (32 km/h).
- Failure to comply could result in death or serious injury.

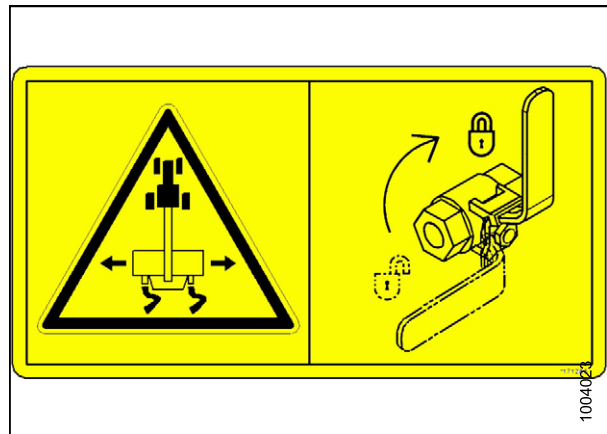


Figure 1.12: MD #171286

### MD #171298

PT transport lock pin

#### WARNING

- Transport lock pin must be in place before transport.
- Failure to comply could result in death or serious injury.

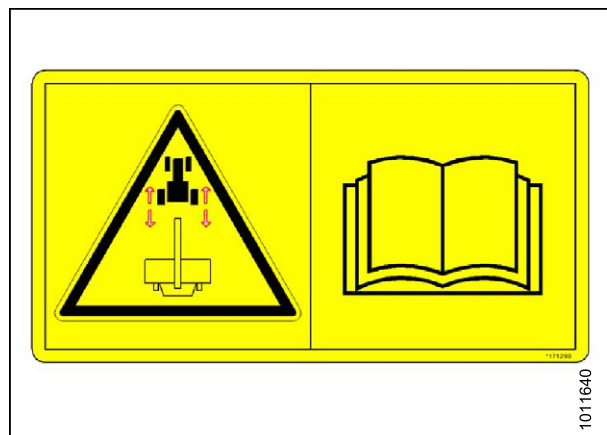


Figure 1.13: MD #171298



## SAFETY

### MD #174432

Reel hazard

#### WARNING

- To avoid injury from fall of raised reel; fully raise reel, stop the engine, remove the key, and engage mechanical lock on each reel support arm before working on or under reel.
- Refer to operator's manual.

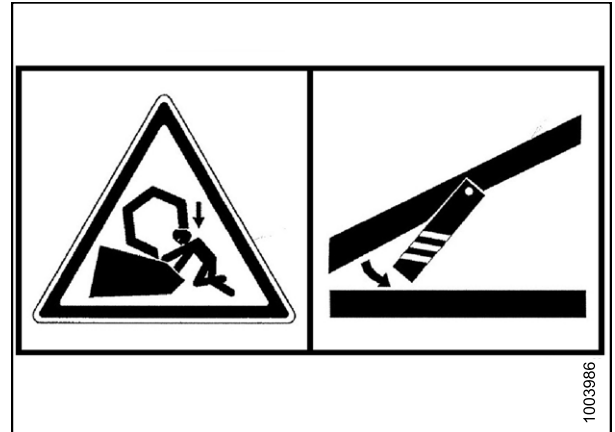


Figure 1.14: MD #174432

### MD #174434

Header hazard

#### DANGER

- Rest header on ground or engage mechanical locks before going under unit.

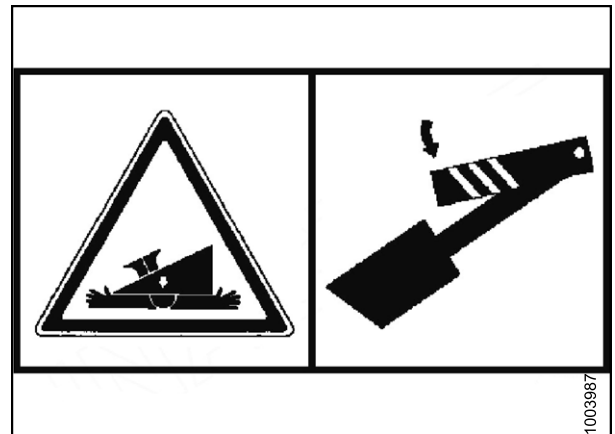


Figure 1.15: MD #174434

### MD #174436

High pressure oil hazard

#### WARNING

- Do not go near leaks
- High pressure oil easily punctures skin causing serious injury, gangrene, or death.
- If injured, seek emergency medical help. Immediate surgery is required to remove oil.
- Do not use finger or skin to check for leaks.
- Lower load or relieve hydraulic pressure before loosening fittings.



Figure 1.16: MD #174436

## SAFETY

### MD #184371

Open drive hazard

#### WARNING

- Guard missing. Do not operate.
- Keep all shields in place.

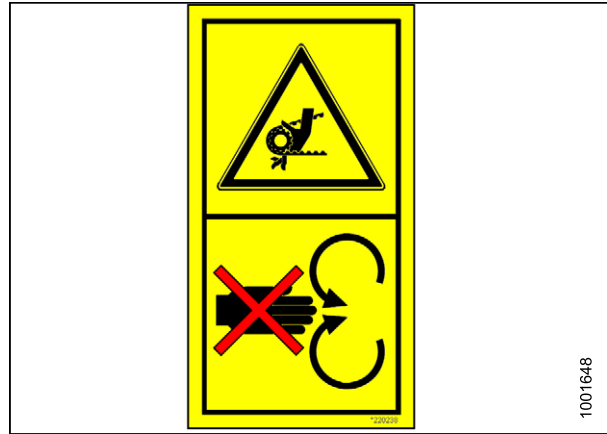


Figure 1.17: MD #184371

### MD #184372

General hazard pertaining to machine operation and servicing

#### CAUTION

To avoid injury or death from improper or unsafe machine operation:

- Read the operator's manual and follow all safety instructions. If you do not have a manual, obtain one from your Dealer.
- Do not allow untrained persons to operate the machine.
- Review safety instructions with all Operators annually.
- Ensure that all safety signs are installed and legible.
- Make certain everyone is clear of machine before starting engine and during operation.
- Keep riders off the machine.
- Keep all shields in place and stay clear of moving parts.
- Disengage header drive, put transmission in Neutral, and wait for all movement to stop before leaving operator's position.
- Shut off the engine and remove the key from ignition before servicing, adjusting, lubricating, cleaning, or unplugging machine.
- Engage safety props to prevent lowering of raised unit before servicing in the raised position.
- Use slow moving vehicle emblem and flashing warning lights when operating on roadways unless prohibited by law.

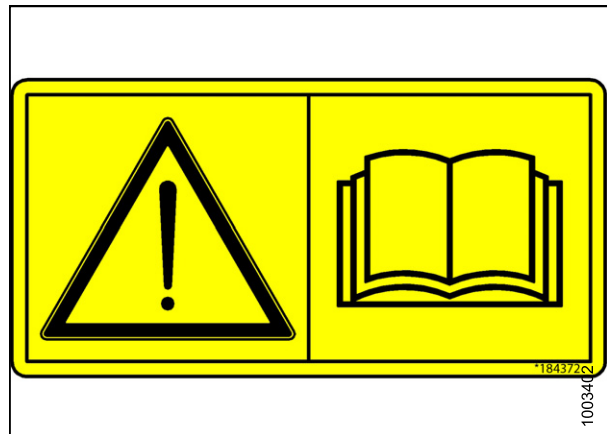


Figure 1.18: MD #184372

## SAFETY

### MD #184385

Pinch hazard

#### WARNING

- Keep away.
- Failure to comply could result in death or serious injury.



Figure 1.19: MD #184385

### MD #184386

Pinch hazard

#### WARNING

- Failure to comply could result in death or serious injury.

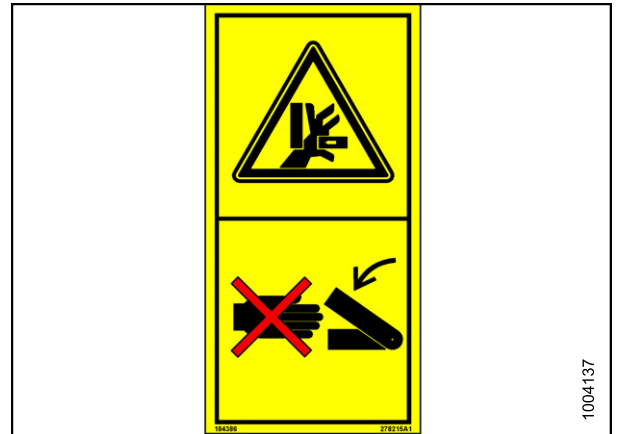


Figure 1.20: MD #184386

### MD #184422

Keep shields in place hazard

#### WARNING

- Do not place foot.
- To avoid injury, stop the engine and remove the key before opening power drive system shield.
- Keep all shields in place.



Figure 1.21: MD #184422

## SAFETY

### MD #190546

Slippery surface

#### WARNING

- Do not use this area as a step or platform.
- Failure to comply could result in serious injury or death.

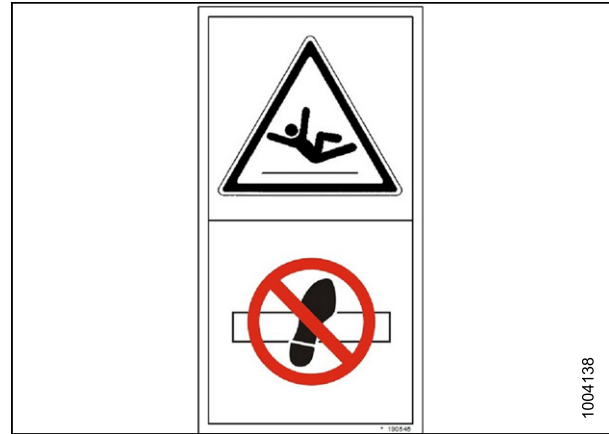


Figure 1.22: MD #190546

### MD #194462

Header crushing hazard

#### WARNING

- Install lock before going under unit.



Figure 1.23: MD #194462

### MD #194463

Rotating blades

#### WARNING

- Disengage PTO, shut off the engine, and remove the key before opening covers.
- Listen and look for evidence of rotation before lifting cover.
- Rotating cutters may continue to rotate after power is shut off.

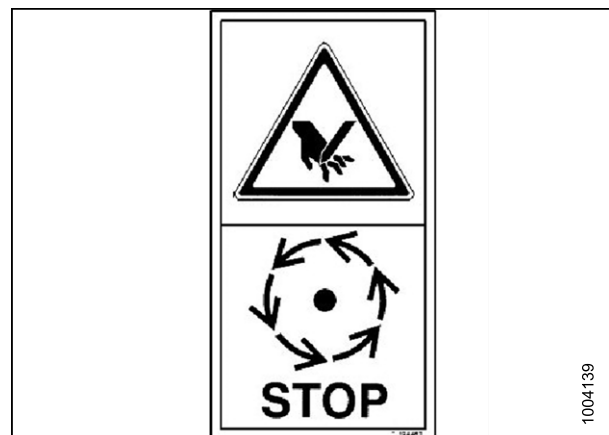


Figure 1.24: MD #194463

## SAFETY

### MD #194464

Shut down for service

#### WARNING

- Remove key from ignition.
- Read tractor and mower manufacturer's manuals for inspection and maintenance instructions.
- Read the windrower and header manuals for inspection and maintenance instructions.

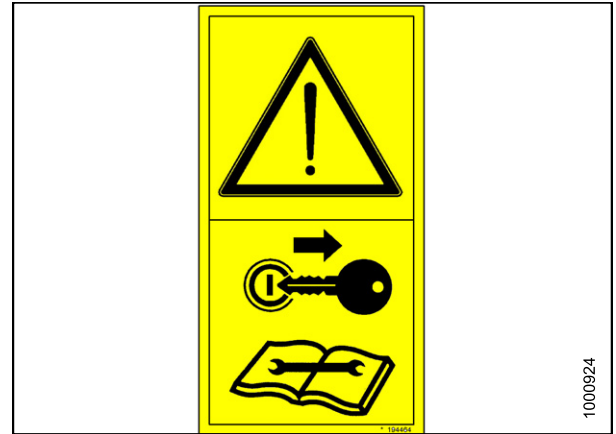


Figure 1.25: MD #194464

### MD #194465

Rotating cutters

#### WARNING

- Stand clear.
- Shut down the windrower and remove the key.
- Disengage PTO and shut off tractor.
- Listen and look for evidence of rotation before lifting cover.
- Rotating cutters may continue to rotate after power is shut off.
- Failure to comply could result in serious injury or death.



Figure 1.26: MD #194465

### MD #194466

Rotating parts under hood

#### WARNING

- Stand clear.
- Crop materials exiting at high speed.
- Stop machine, look, listen, and wait for all movement to stop before approaching.
- Failure to comply could result in death or serious injury.



Figure 1.27: MD #194466

## SAFETY

### MD #194521

Auger entanglement hazard

#### CAUTION

- To avoid injury from entanglement with rotating auger, stand clear of header while machine is running.

General hazard pertaining to machine operation and servicing

#### CAUTION

- Read the operator's manual and follow safety instructions. If you do not have a manual, obtain one from your Dealer.
- Do not allow untrained persons to operate the machine.
- Review safety instructions with all Operators every year.
- Ensure that all safety signs are installed and legible.
- Make certain everyone is clear of machine before starting engine and during operation.
- Keep riders off the machine.
- Keep all shields in place and stay clear of moving parts.
- Disengage header drive, put transmission in Neutral, and wait for all movement to stop before leaving operator's position.
- Stop the engine and remove the key from ignition before servicing, adjusting, lubricating, cleaning, or unplugging machine.
- Engage locks to prevent lowering of header or reel before servicing in the raised position.
- Use slow moving vehicle emblem and flashing warning lights when operating on roadways unless prohibited by law.

### MD #247166

Moving implement hazard

#### WARNING

- To avoid injury, do not mount or ride machine while the machine is in motion.

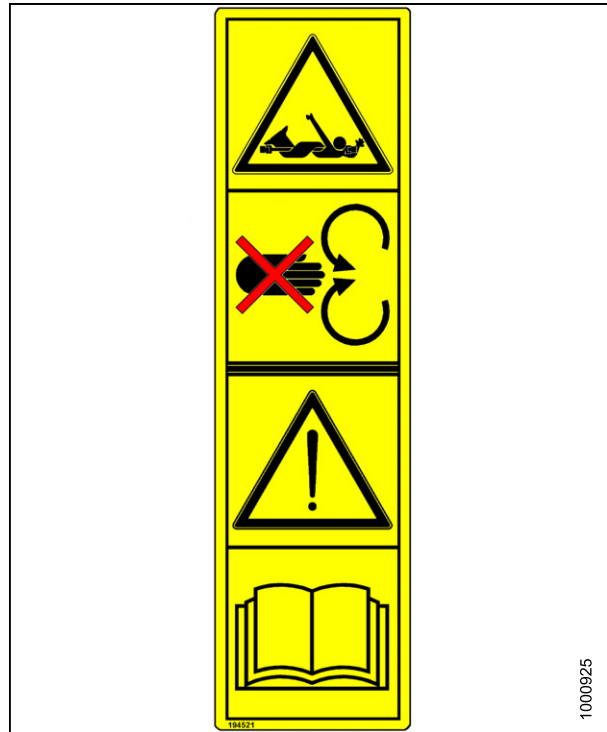


Figure 1.28: MD #194521



Figure 1.29: MD #247166

## SAFETY

### MD #247167

Rotating blades

#### WARNING

- Disengage power take-off, shut off tractor, and remove key before opening covers.
- Listen and look for evidence of rotation before lifting cover.
- Rotating cutters may continue to rotate after power is shut off due to inertia.

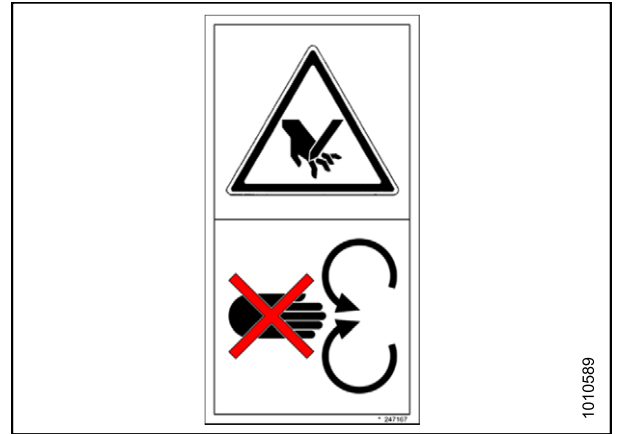


Figure 1.30: MD #247167





## 2 Preparing Mower Conditioner for Transport

Charge the steering circuit as follows:

1. Connect the two hitch-steering cylinder hoses to a tractor hydraulic circuit.
2. Steer the mower conditioner completely to the left, then right. Repeat three or four times.
3. Steer the mower conditioner so that it is centered behind the towing vehicle.
4. Close the steering lock-out valve (A) on the hitch.

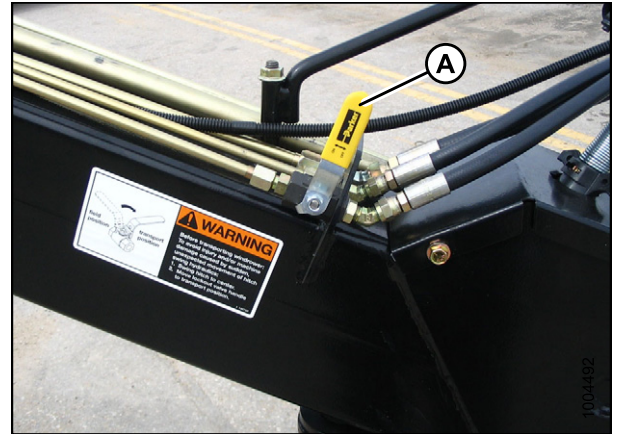


Figure 2.1: Steering Lock-Out Valve

5. Raise the mower conditioner fully and engage both lift cylinder lock-out valves (A).

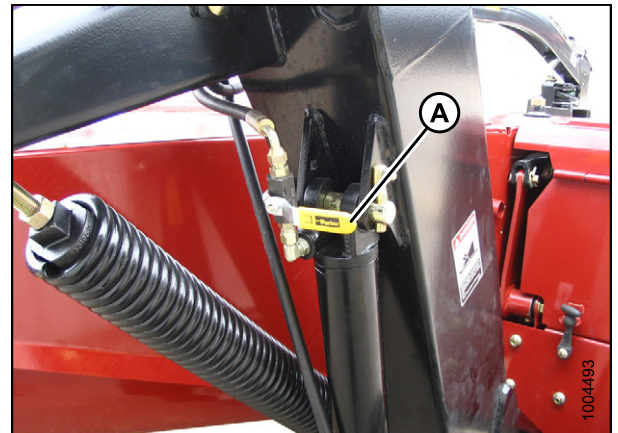


Figure 2.2: Lift Cylinder Lock-Out Valve

## PREPARING MOWER CONDITIONER FOR TRANSPORT

### WARNING

- Do NOT tow unless the steering cylinder is fully charged. If steering cylinder is not fully charged, loss of control can result in injury or death.
  - Do NOT tow without the transport lock in place..
6. Install the transport lock pin as follows.

7. Remove transport lock pin from storage at the aft end of the hitch.

8. Line up holes in hitch and frame and install transport lock pin (A).
9. Secure with lynch pin (B).

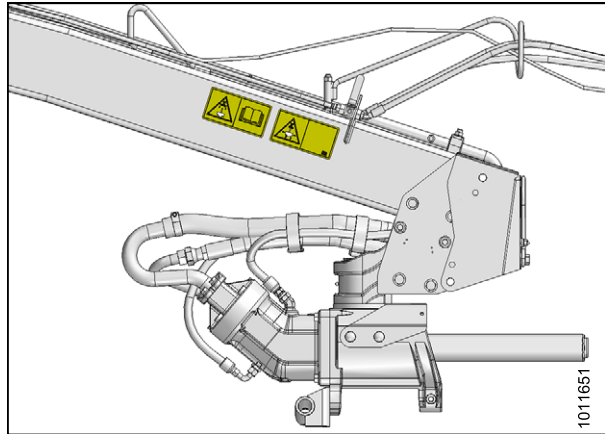


Figure 2.3: Transport Safety Decals

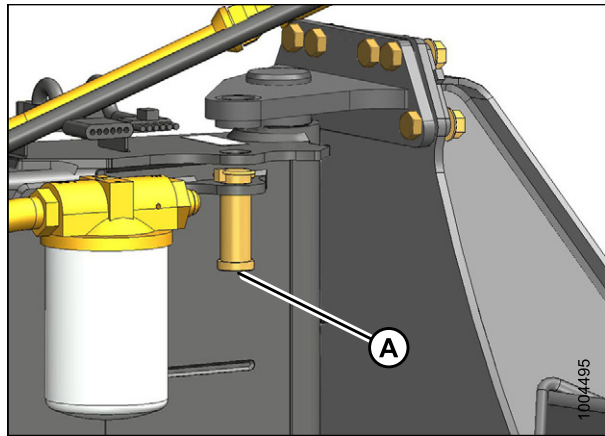


Figure 2.4: Transport Lock Pin

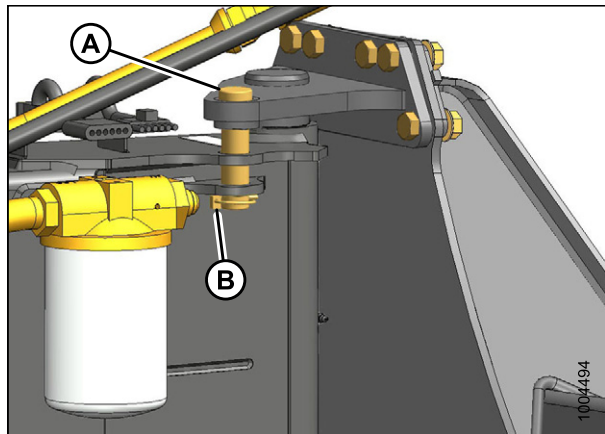


Figure 2.5: Transport Lock Pin

## PREPARING MOWER CONDITIONER FOR TRANSPORT

10. Check that jack (A) is properly attached in storage position on hitch and secured with pin (B).
11. Ensure tires are properly inflated.
12. Keep slow moving vehicle (SMV) sign, reflectors, and lights clean and visible at rear of mower conditioner.

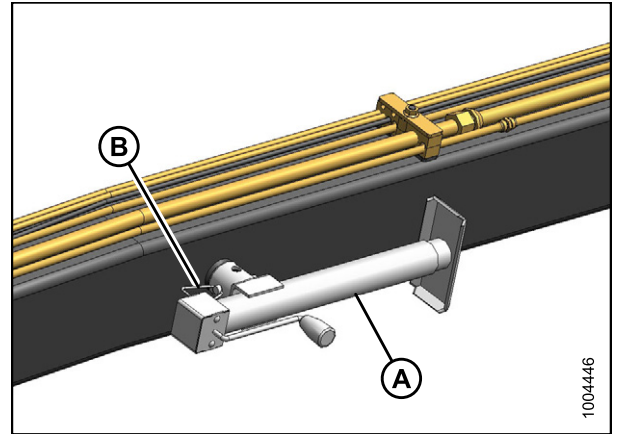


Figure 2.6: Hitch Jack





**MacDon Industries Ltd.**

680 Moray Street  
Winnipeg, Manitoba  
Canada R3J 3S3  
t. (204) 885-5590  
f. (204) 832-7749

**MacDon, Inc.**

10708 N. Pomona Avenue  
Kansas City, Missouri  
United States 64153-1924  
t. (816) 891-7313  
f. (816) 891-7323

**MacDon Australia Pty. Ltd.**

A.C.N. 079 393 721  
P.O. Box 243, Suite 3, 143 Main Street  
Greensborough, Victoria, Australia 3088  
t. 03 9432 9982  
f. 03 9432 9972

**LLC MacDon Russia Ltd.**

123317 Moscow, Russia  
10 Presnenskaya nab, Block C  
Floor 5, Office No. 534, Regus Business Centre  
t. +7 495 775 6971  
f. +7 495 967 7600

## CUSTOMERS

[MacDon.com](http://MacDon.com)

## DEALERS

[Portal.MacDon.com](http://Portal.MacDon.com)

Trademarks of products are the marks of their  
respective manufacturers and/or distributors.

Printed in Canada