

R85
**13-Foot Rotary Disc Pull-Type Mower
Conditioner**

Operator's Manual

169454_SUPPLEMENT Revision C

Original Instruction

Purpose of Supplement

After your operator's manual was printed, a decal was added to the R85 mower conditioner hitch to alert the Operator that the transport lock pin must be in place before transport.

Replace the following pages of the R85 Operator's Manual, MD #169454 Revision C, with the pages provided in this supplement:

- Safety Sign Location - pages 6–8
- Safety Sign Definitions - pages 9–13
- Preparing Mower Conditioner for Transport - page 43

1 Safety

1.1 Safety Decal Locations

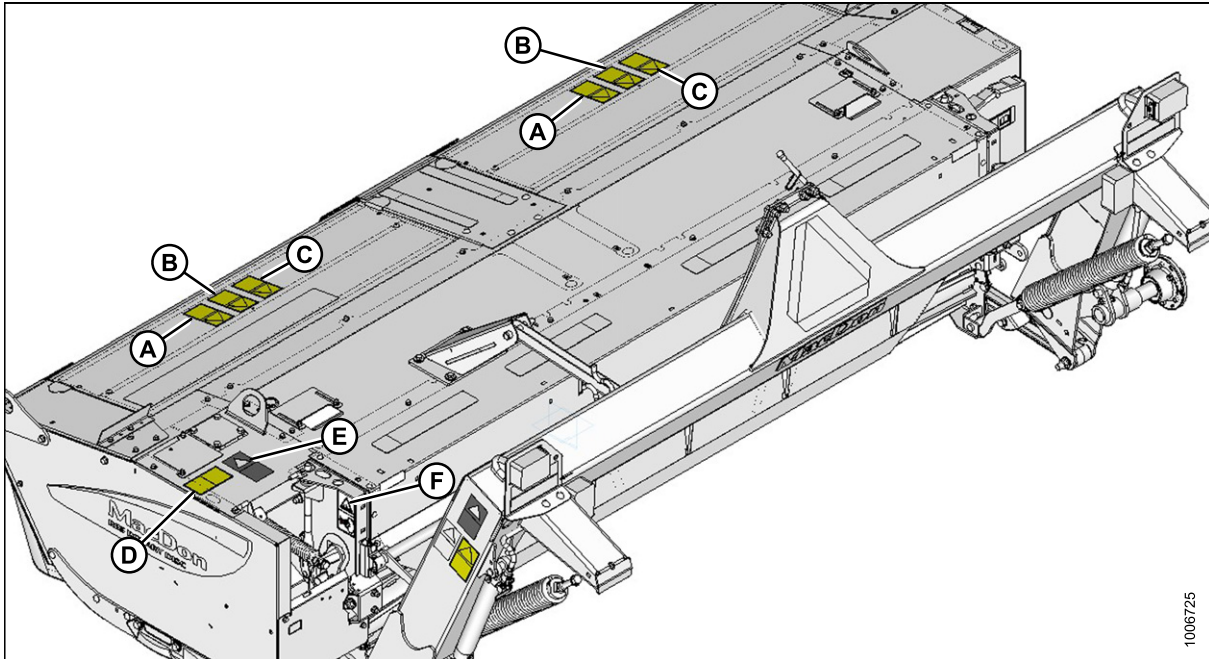


Figure 1.1: Safety Decal Locations

A - MD #194465
D - MD #166466

B - MD #194463
E - MD #113482

C - MD #194466
F - MD #184385

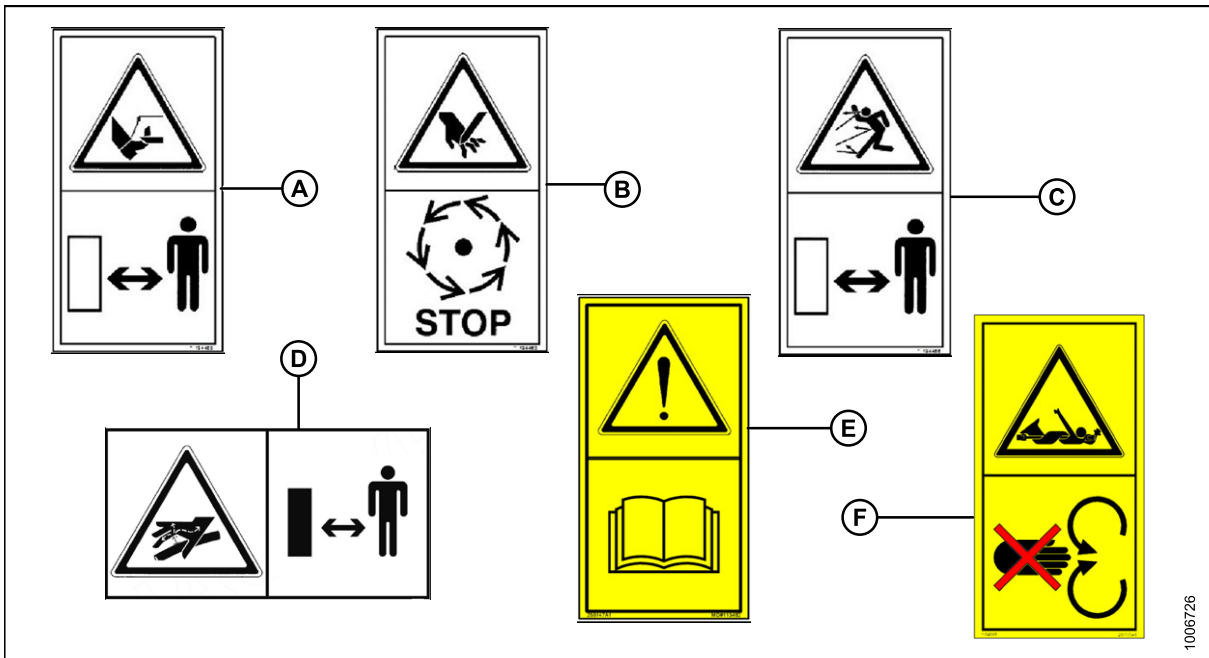


Figure 1.2: Safety Decals

SAFETY

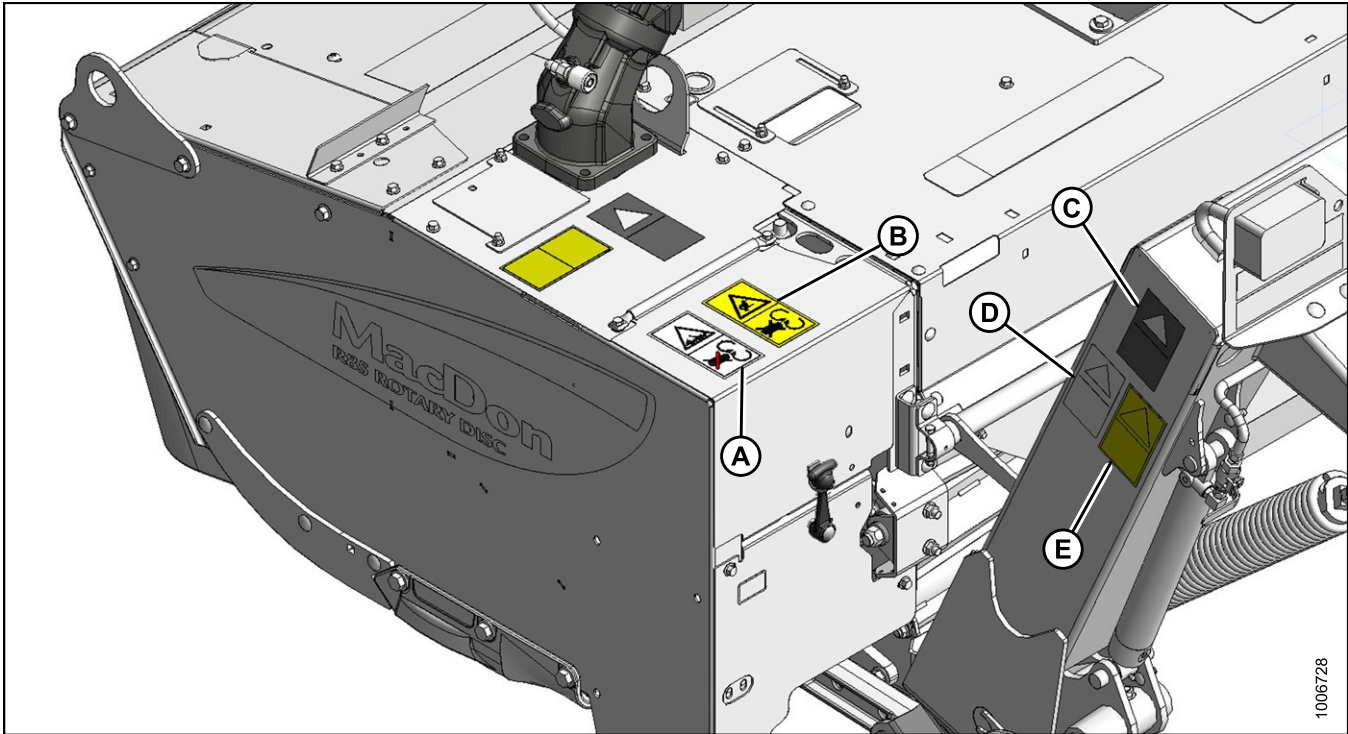


Figure 1.3

A - MD #184385
D - MD #194462

B - MD #184371
E - MD #174436

C - MD #113482

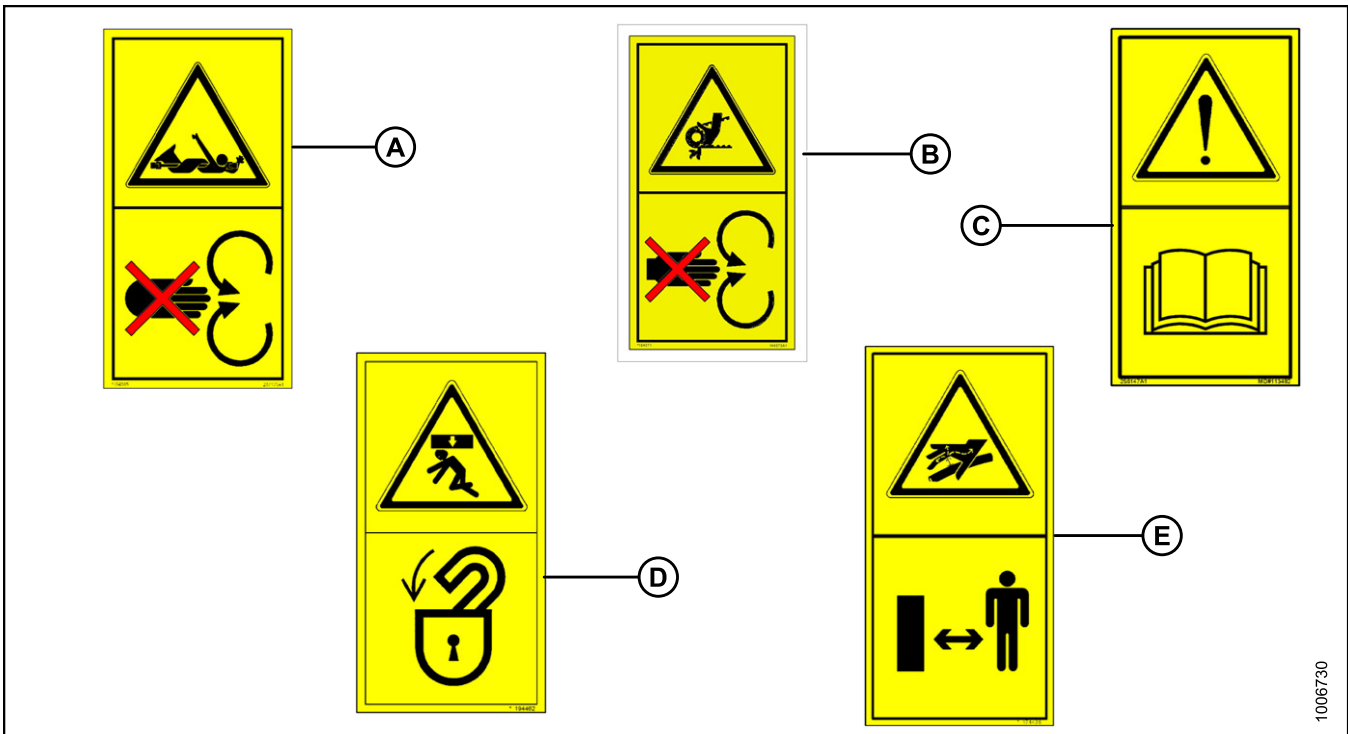
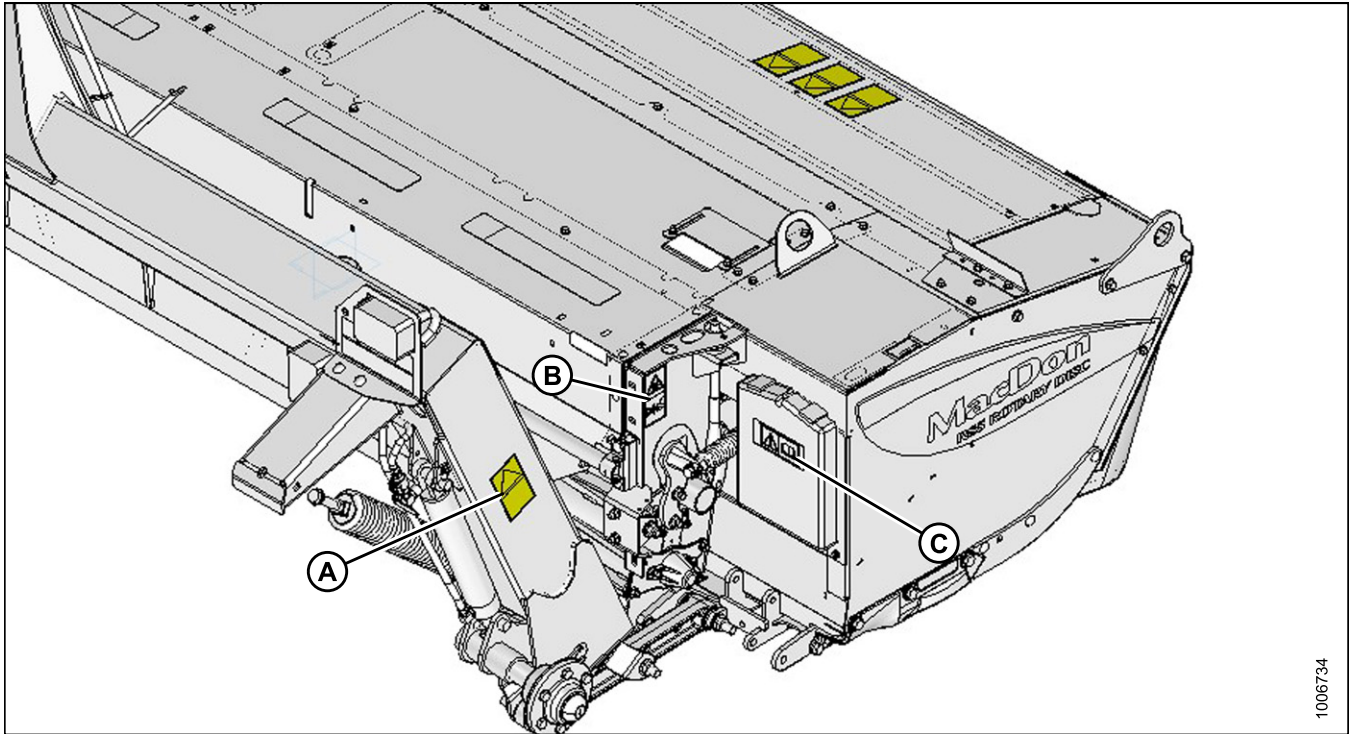


Figure 1.4: Safety Decals

SAFETY



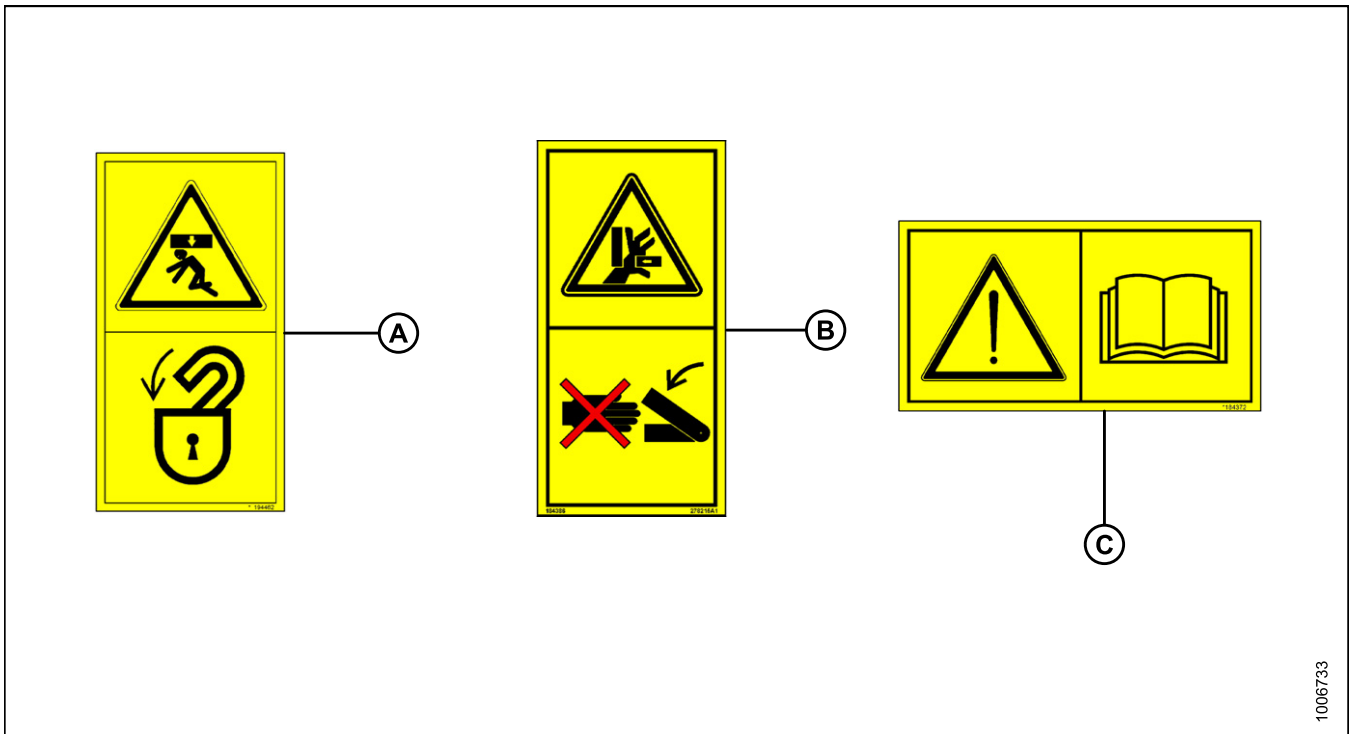
1006734

Figure 1.5

A - MD #194462

B - MD #184386

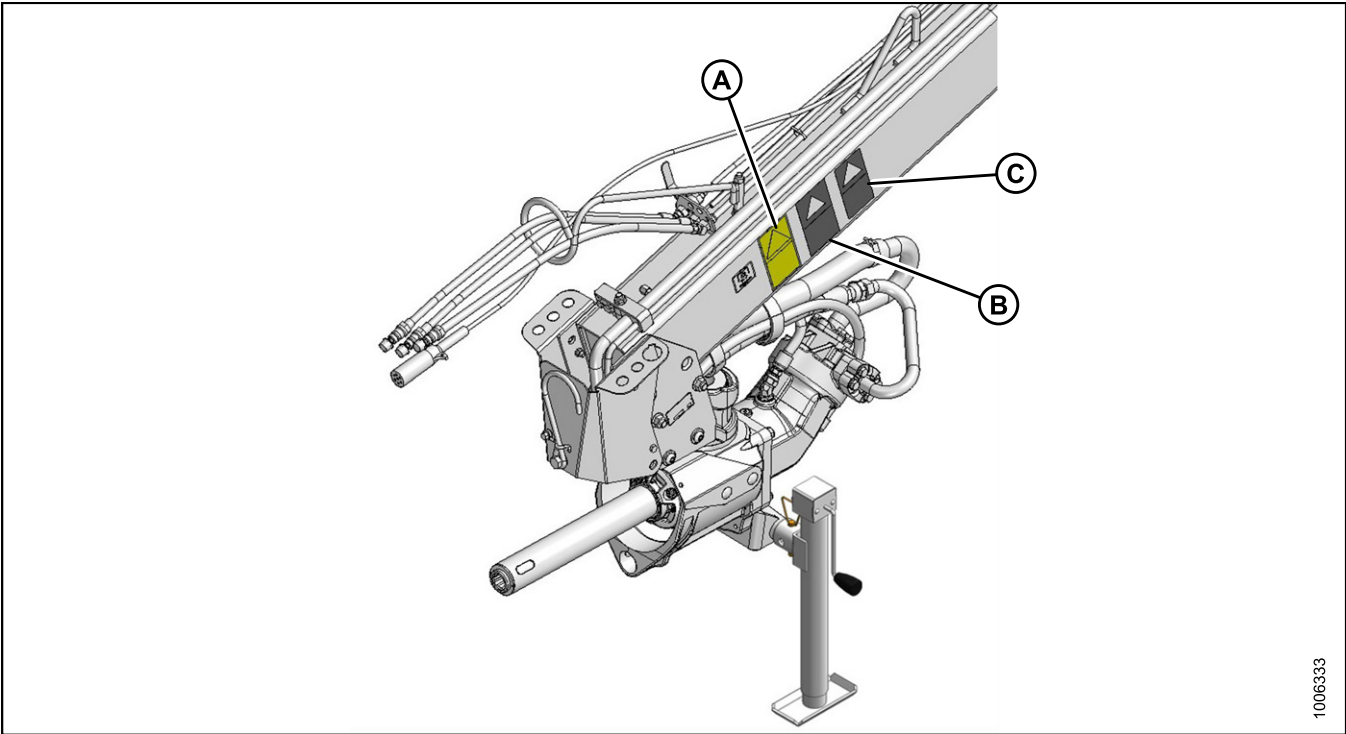
C - MD #184372



1006733

Figure 1.6: Safety Decals

SAFETY



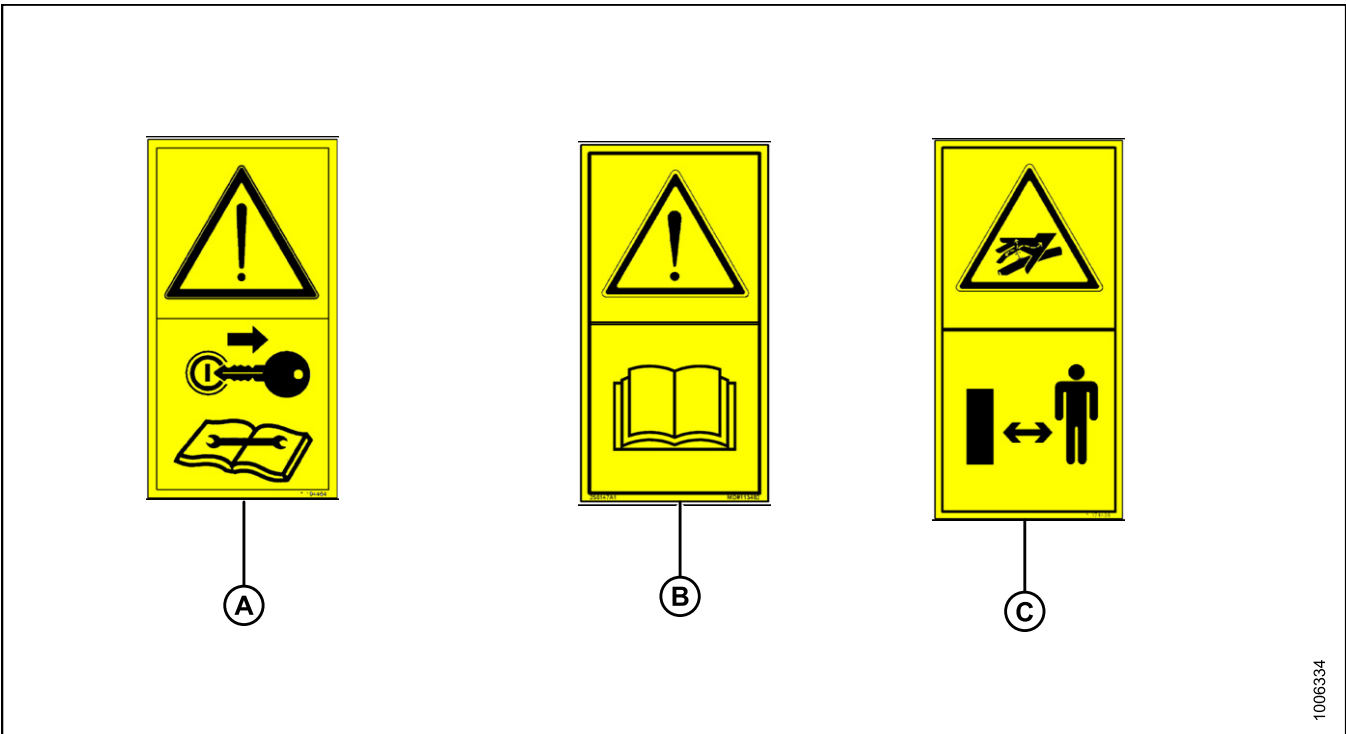
1006333

Figure 1.7

A - MD #194464

B - MD #113482

C - MD #174436



1006334

Figure 1.8: Safety Decals

SAFETY

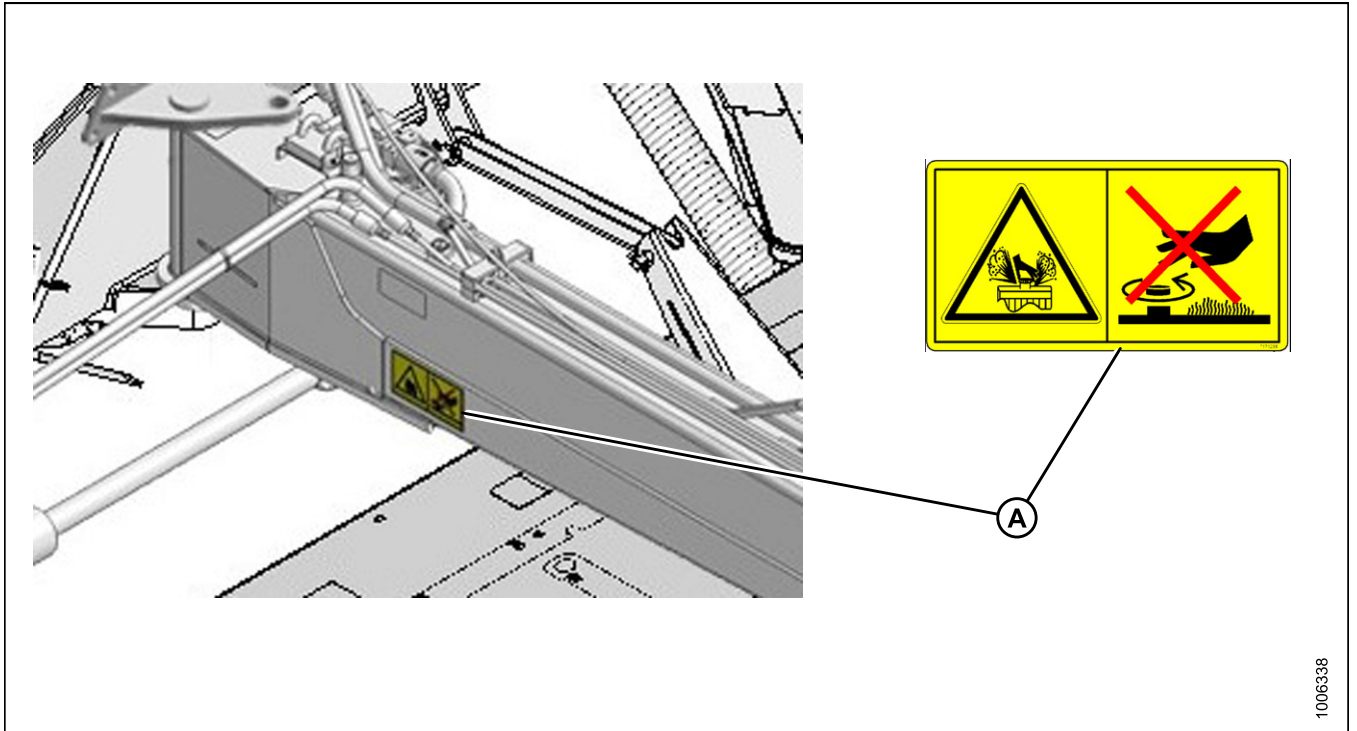


Figure 1.9
A - MD #171281 (Both Sides)

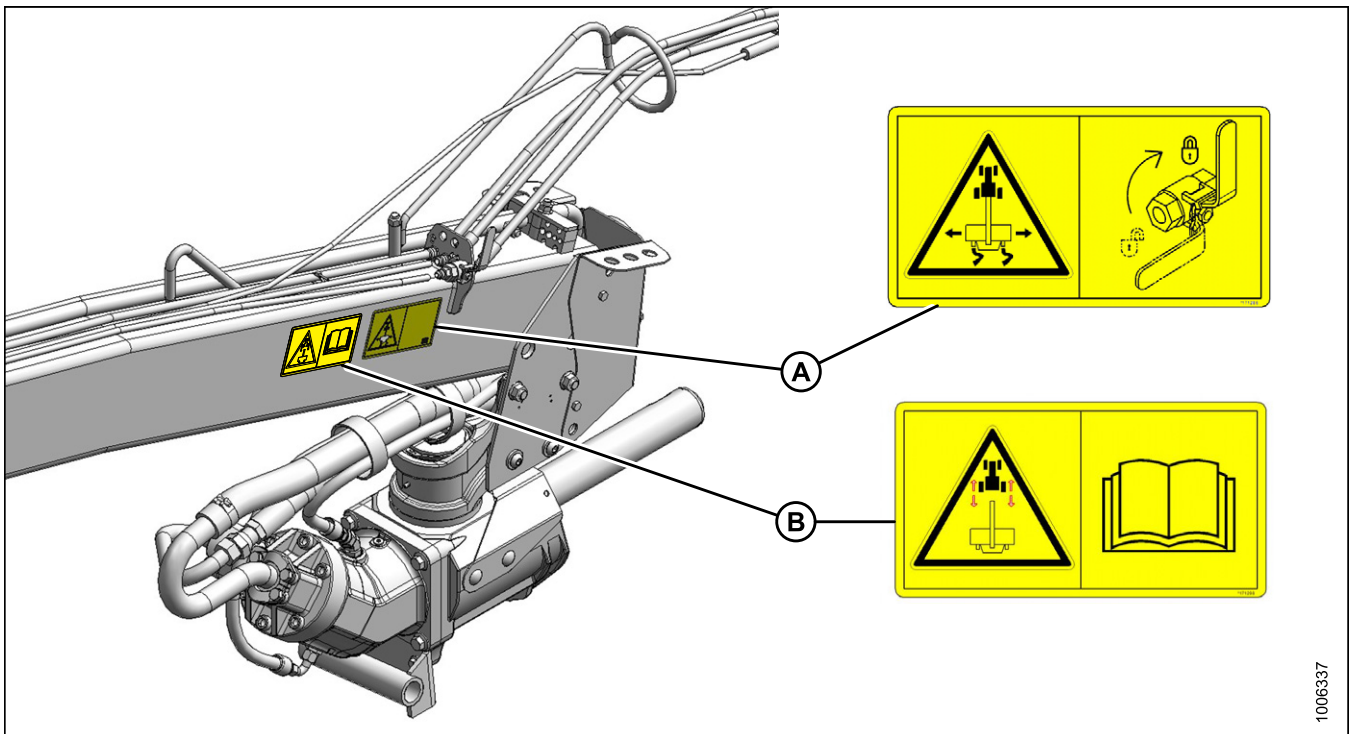


Figure 1.10
A - MD #171286 B - MD #171298

1.2 Understanding Safety Signs

MD #113482

General hazard pertaining to machine operation and servicing

CAUTION

To avoid injury or death from improper or unsafe machine operation:

- Read the operator's manual and follow all safety instructions. If you do not have a manual, obtain one from your Dealer.
- Do not allow untrained persons to operate the machine.
- Review safety instructions with all Operators every year.
- Ensure that all safety signs are installed and legible.
- Make certain everyone is clear of machine before starting engine and during operation.
- Keep riders off the machine.
- Keep all shields in place, and stay clear of moving parts.
- Disengage header drive, put transmission in Neutral, and wait for all movement to stop before leaving operator's position.
- Shut down the engine and remove the key from ignition before servicing, adjusting, lubricating, cleaning, or unplugging machine.
- Engage safety props to prevent lowering of header or reel before servicing in the raised position (refer to the header operator's manual).
- Use slow moving vehicle emblem and flashing warning lights when operating on roadways unless prohibited by law.



Figure 1.11: MD #113482

MD #166466

High pressure oil hazard

WARNING

- Do not go near leaks.
- High pressure oil easily punctures skin causing serious injury, gangrene, or death.
- If injured, seek emergency medical help. Immediate surgery is required to remove oil.
- Do not use finger or skin to check for leaks.
- Lower load or relieve hydraulic pressure before loosening fittings.

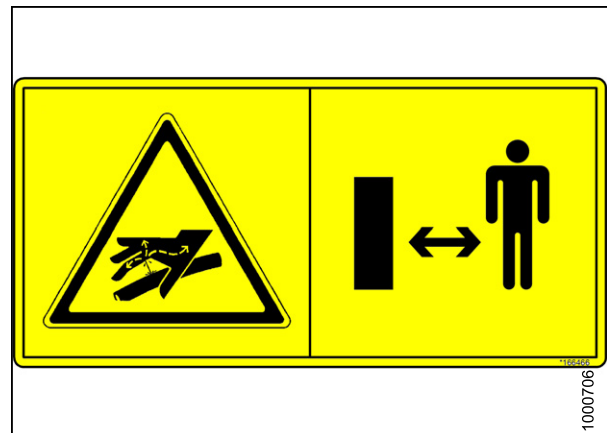


Figure 1.12: MD #166466

SAFETY

MD #171281

Hot fluid under pressure

CAUTION

- Coolant is under pressure and may be hot. Never remove radiator cap when engine is hot.



Figure 1.13: MD #171281

MD #171286

Lock pull-type hydraulic for transport

WARNING

- Charge cylinder with oil before towing.
- Rotate valve handle to lock in transport position.
- Maximum towing speed 20 mph (32 km/h).
- Failure to comply could result in death or serious injury.

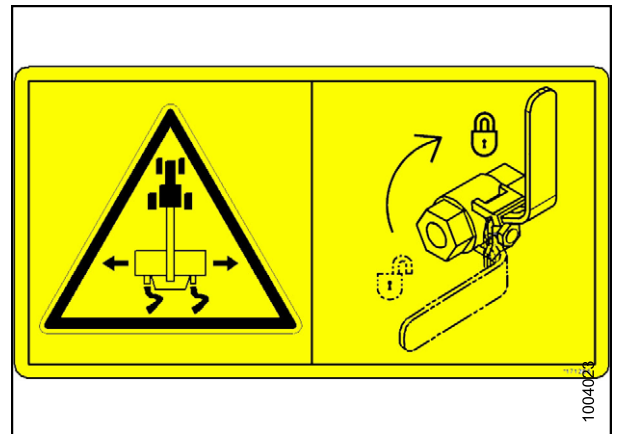


Figure 1.14: MD #171286

MD #171298

PT transport lock pin

WARNING

- Transport lock pin must be in place before transport.
- Failure to comply could result in death or serious injury.

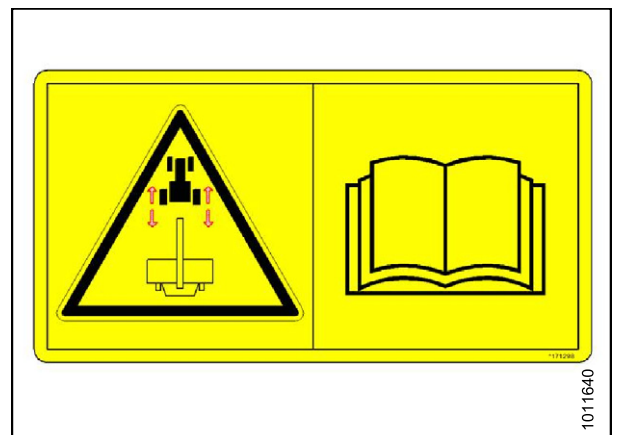


Figure 1.15: MD #171298

SAFETY

MD #174432

Reel hazard

WARNING

- To avoid injury from fall of raised reel; fully raise reel, stop the engine, remove the key, and engage mechanical lock on each reel support arm before working on or under reel.
- Refer to operator's manual.

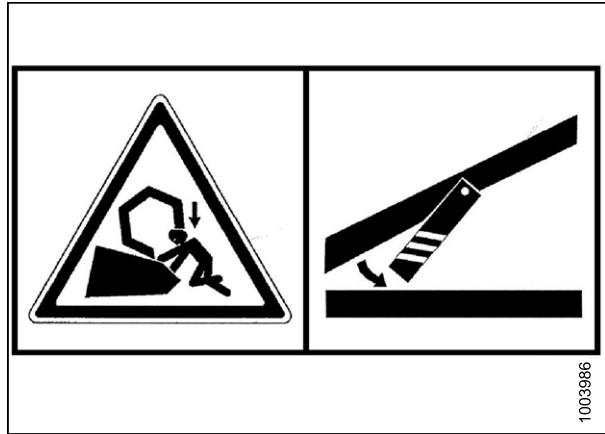


Figure 1.16: MD #174432

MD #174434

Header hazard

DANGER

- Rest header on ground or engage mechanical locks before going under unit.

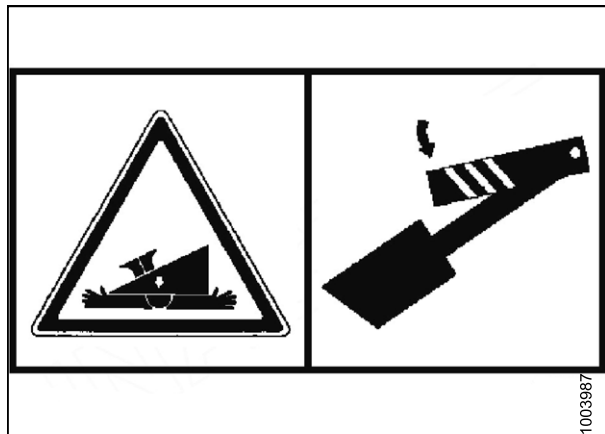


Figure 1.17: MD #174434

MD #174436

High pressure oil hazard

WARNING

- Do not go near leaks
- High pressure oil easily punctures skin causing serious injury, gangrene, or death.
- If injured, seek emergency medical help. Immediate surgery is required to remove oil.
- Do not use finger or skin to check for leaks.
- Lower load or relieve hydraulic pressure before loosening fittings.



Figure 1.18: MD #174436

SAFETY

MD #174632

Reel entanglement hazard

CAUTION

- To avoid injury from entanglement with rotating reel, stand clear of header while machine is running.

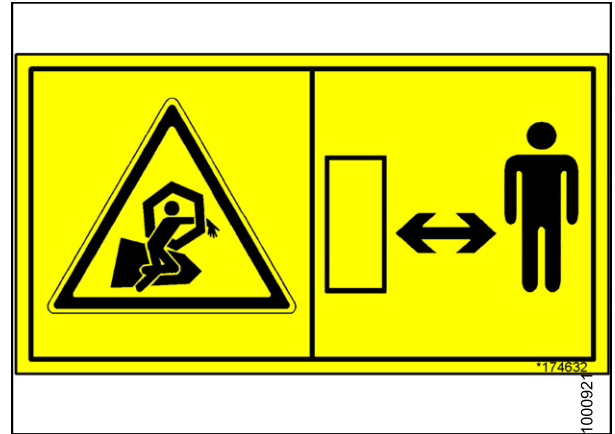


Figure 1.19: MD #174632

MD #174682

Auger entanglement hazard

CAUTION

- To avoid injury from entanglement with rotating auger, stand clear of header while machine is running.

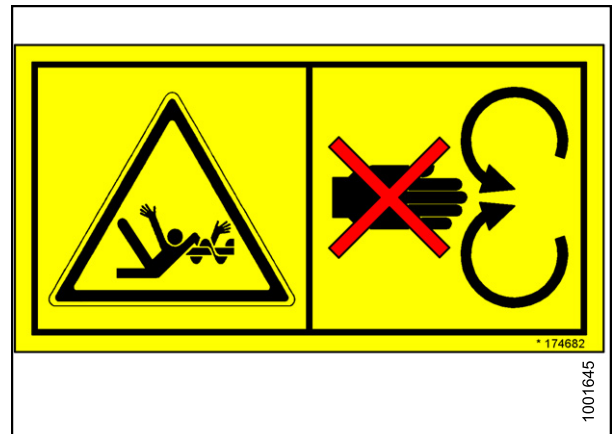


Figure 1.20: MD #174682

MD #174684

Sharp component hazard

CAUTION

- Wear heavy canvas or leather gloves when working with knife.
- Be sure no one is near the vertical knife when removing or rotating knife.



Figure 1.21: MD #174684

SAFETY

MD #184371

Open drive hazard

WARNING

- Guard missing. Do not operate.
- Keep all shields in place.

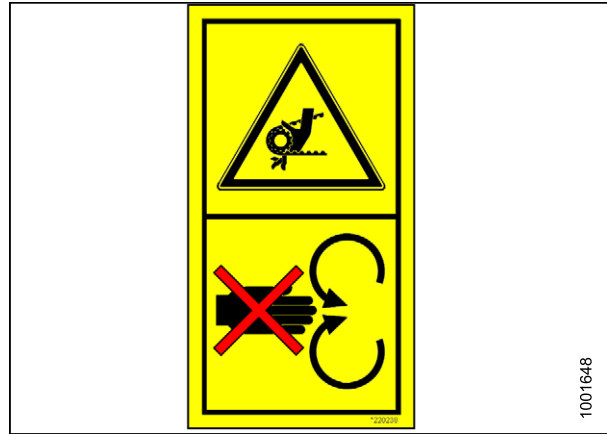


Figure 1.22: MD #184371

MD #184372

General hazard pertaining to machine operation and servicing

CAUTION

To avoid injury or death from improper or unsafe machine operation:

- Read the operator's manual and follow all safety instructions. If you do not have a manual, obtain one from your Dealer.
- Do not allow untrained persons to operate the machine.
- Review safety instructions with all Operators annually.
- Ensure that all safety signs are installed and legible.
- Make certain everyone is clear of machine before starting engine and during operation.
- Keep riders off the machine.
- Keep all shields in place and stay clear of moving parts.
- Disengage header drive, put transmission in Neutral, and wait for all movement to stop before leaving operator's position.
- Shut off the engine and remove the key from ignition before servicing, adjusting, lubricating, cleaning, or unplugging machine.
- Engage safety props to prevent lowering of raised unit before servicing in the raised position.
- Use slow moving vehicle emblem and flashing warning lights when operating on roadways unless prohibited by law.

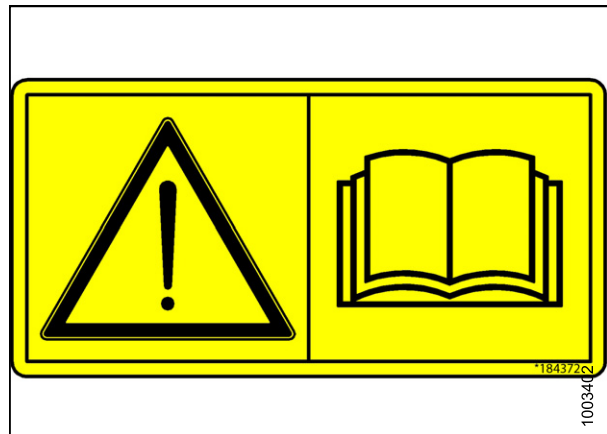


Figure 1.23: MD #184372

SAFETY

MD #184385

Pinch hazard

WARNING

- Keep away.
- Failure to comply could result in death or serious injury.



Figure 1.24: MD #184385

MD #184386

Pinch hazard

WARNING

- Failure to comply could result in death or serious injury.

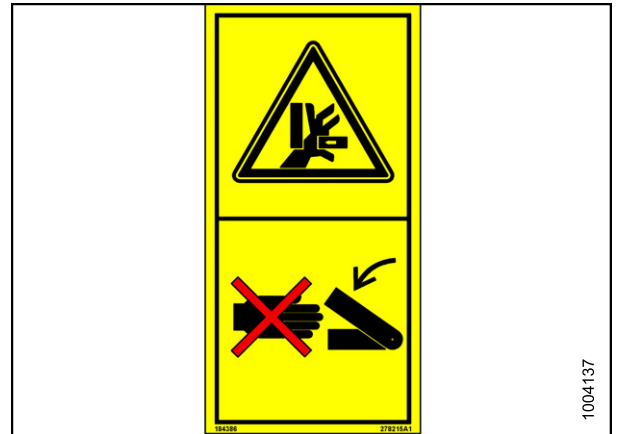


Figure 1.25: MD #184386

MD #184422

Keep shields in place hazard

WARNING

- Do not place foot.
- To avoid injury, stop the engine and remove the key before opening power drive system shield.
- Keep all shields in place.



Figure 1.26: MD #184422

SAFETY

MD #190546

Slippery surface

WARNING

- Do not use this area as a step or platform.
- Failure to comply could result in serious injury or death.

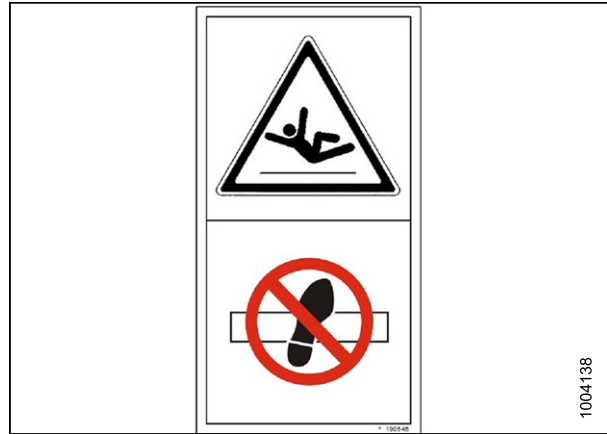


Figure 1.27: MD #190546

MD #193147

Transport/roading hazard

WARNING

- Ensure tow-bar lock mechanism is locked.

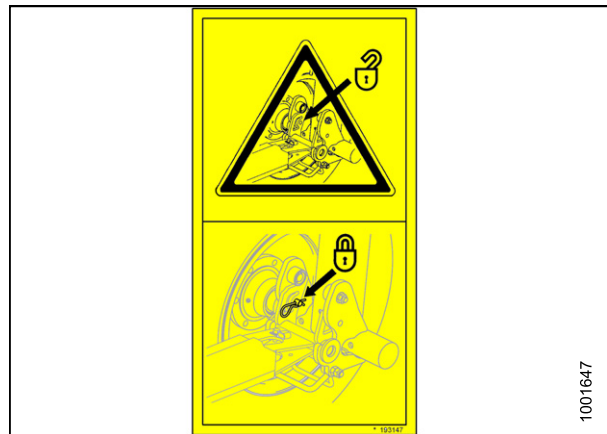


Figure 1.28: MD #193147

MD #194462

Header crushing hazard

WARNING

- Install lock before going under unit.



Figure 1.29: MD #194462

SAFETY

MD #194463

Rotating blades

WARNING

- Disengage PTO, shut off the engine, and remove the key before opening covers.
- Listen and look for evidence of rotation before lifting cover.
- Rotating cutters may continue to rotate after power is shut off.



Figure 1.30: MD #194463

MD #194464

Shut down for service

WARNING

- Remove key from ignition.
- Read tractor and mower manufacturer's manuals for inspection and maintenance instructions.
- Read the windrower and header manuals for inspection and maintenance instructions.



Figure 1.31: MD #194464

MD #194465

Rotating cutters

WARNING

- Stand clear.
- Shut down the windrower and remove the key.
- Disengage PTO and shut off tractor.
- Listen and look for evidence of rotation before lifting cover.
- Rotating cutters may continue to rotate after power is shut off.
- Failure to comply could result in serious injury or death.



Figure 1.32: MD #194465

SAFETY

MD #194466

Rotating parts under hood

WARNING

- Stand clear.
- Crop materials exiting at high speed.
- Stop machine, look, listen, and wait for all movement to stop before approaching.
- Failure to comply could result in death or serious injury.



Figure 1.33: MD #194466

MD #194521

Auger entanglement hazard

CAUTION

- To avoid injury from entanglement with rotating auger, stand clear of header while machine is running.

General hazard pertaining to machine operation and servicing

CAUTION

- Read the operator's manual and follow safety instructions. If you do not have a manual, obtain one from your Dealer.
- Do not allow untrained persons to operate the machine.
- Review safety instructions with all Operators every year.
- Ensure that all safety signs are installed and legible.
- Make certain everyone is clear of machine before starting engine and during operation.
- Keep riders off the machine.
- Keep all shields in place and stay clear of moving parts.
- Disengage header drive, put transmission in Neutral, and wait for all movement to stop before leaving operator's position.
- Stop the engine and remove the key from ignition before servicing, adjusting, lubricating, cleaning, or unplugging machine.
- Engage locks to prevent lowering of header or reel before servicing in the raised position.
- Use slow moving vehicle emblem and flashing warning lights when operating on roadways unless prohibited by law.

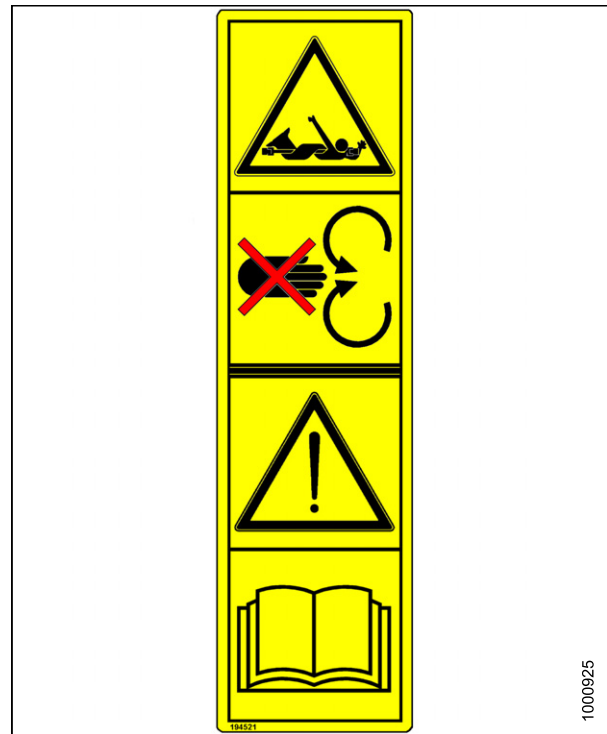


Figure 1.34: MD #194521

SAFETY

MD #247166

Moving implement hazard

WARNING

- To avoid injury, do not mount or ride machine while the machine is in motion.



Figure 1.35: MD #247166

MD #247167

Rotating blades

WARNING

- Disengage power take-off, shut off tractor, and remove key before opening covers.
- Listen and look for evidence of rotation before lifting cover.
- Rotating cutters may continue to rotate after power is shut off due to inertia.

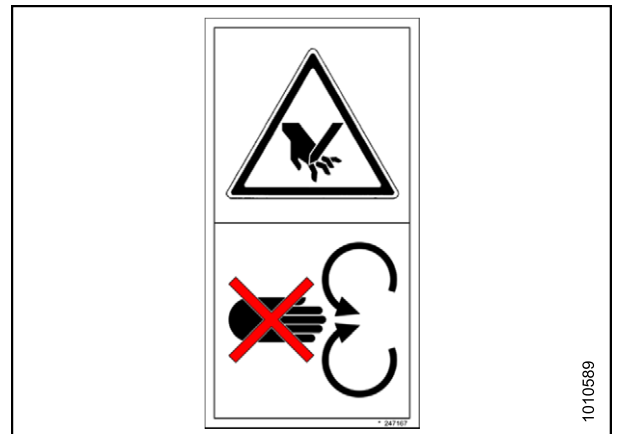


Figure 1.36: MD #247167

2 Preparing Mower Conditioner for Transport

Charge the steering circuit as follows:

1. Connect the two hitch-steering cylinder hoses to a tractor hydraulic circuit.
2. Steer the mower conditioner completely to the left, then right. Repeat three or four times.
3. Steer the mower conditioner so that it is centered behind the towing vehicle.
4. Close the steering lock-out valve (A) on the hitch.

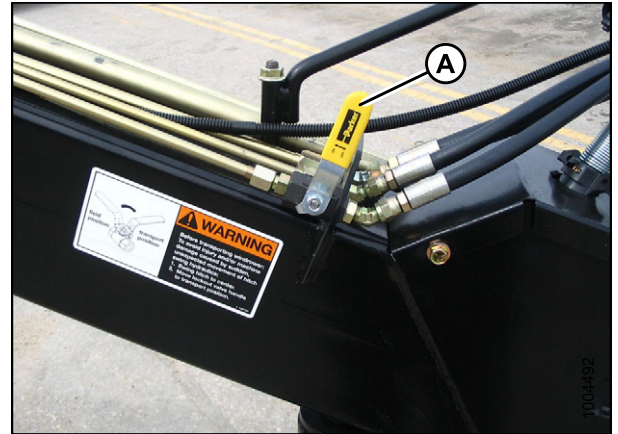


Figure 2.1: Steering Lock-Out Valve

5. Raise the mower conditioner fully and engage both lift cylinder lock-out valves (A).

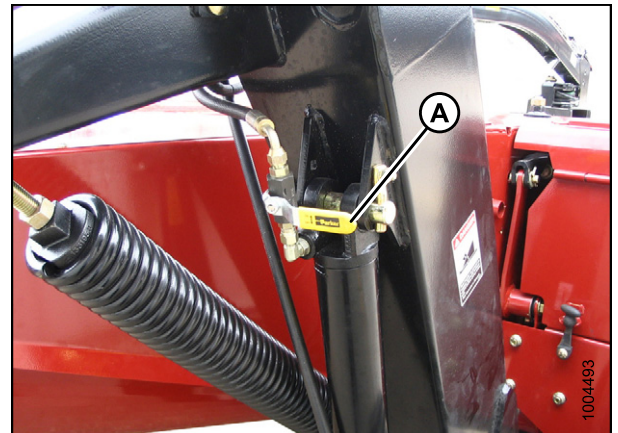


Figure 2.2: Lift Cylinder Lock-Out Valve

PREPARING MOWER CONDITIONER FOR TRANSPORT

WARNING

- Do NOT tow unless the steering cylinder is fully charged. If steering cylinder is not fully charged, loss of control can result in injury or death.
 - Do NOT tow without the transport lock in place..
6. Install the transport lock pin as follows.

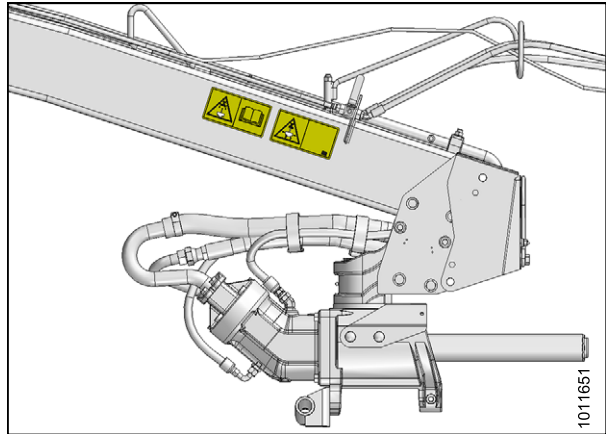


Figure 2.3: Transport Safety Decals

7. Remove transport lock pin from storage at the aft end of the hitch.

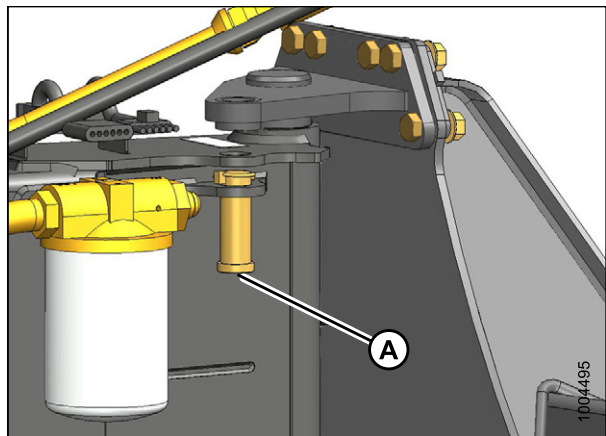


Figure 2.4: Transport Lock Pin

8. Line up holes in hitch and frame and install transport lock pin (A).
9. Secure with lynch pin (B).

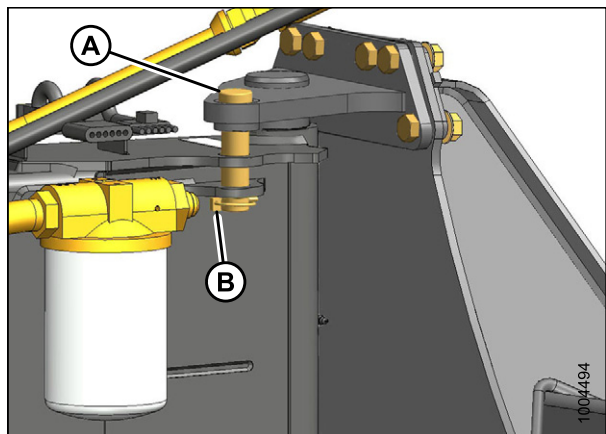


Figure 2.5: Transport Lock Pin

PREPARING MOWER CONDITIONER FOR TRANSPORT

10. Check that jack (A) is properly attached in storage position on hitch and secured with pin (B).
11. Ensure tires are properly inflated.
12. Keep slow moving vehicle (SMV) sign, reflectors, and lights clean and visible at rear of mower conditioner.

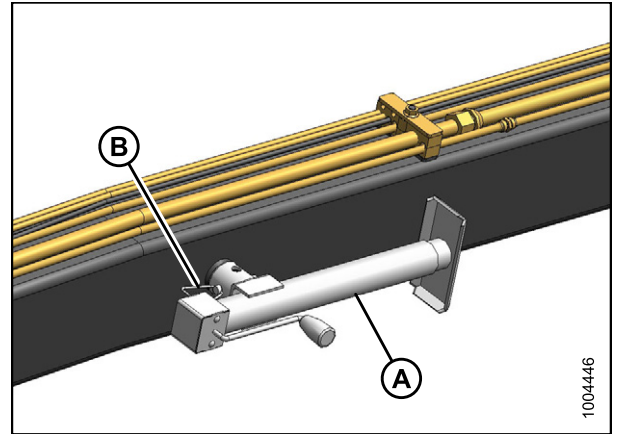


Figure 2.6: Hitch Jack

MacDon Industries Ltd.

680 Moray Street
Winnipeg, Manitoba
Canada R3J 3S3
t. (204) 885-5590
f. (204) 832-7749

MacDon, Inc.

10708 N. Pomona Avenue
Kansas City, Missouri
United States 64153-1924
t. (816) 891-7313
f. (816) 891-7323

MacDon Australia Pty. Ltd.

A.C.N. 079 393 721
P.O. Box 243, Suite 3, 143 Main Street
Greensborough, Victoria, Australia 3088
t. 03 9432 9982
f. 03 9432 9972

LLC MacDon Russia Ltd.

123317 Moscow, Russia
10 Presnenskaya nab, Block C
Floor 5, Office No. 534, Regus Business Centre
t. +7 495 775 6971
f. +7 495 967 7600

CUSTOMERS

MacDon.com

DEALERS

Portal.MacDon.com

Trademarks of products are the marks of their
respective manufacturers and/or distributors.

Printed in Canada