

R216

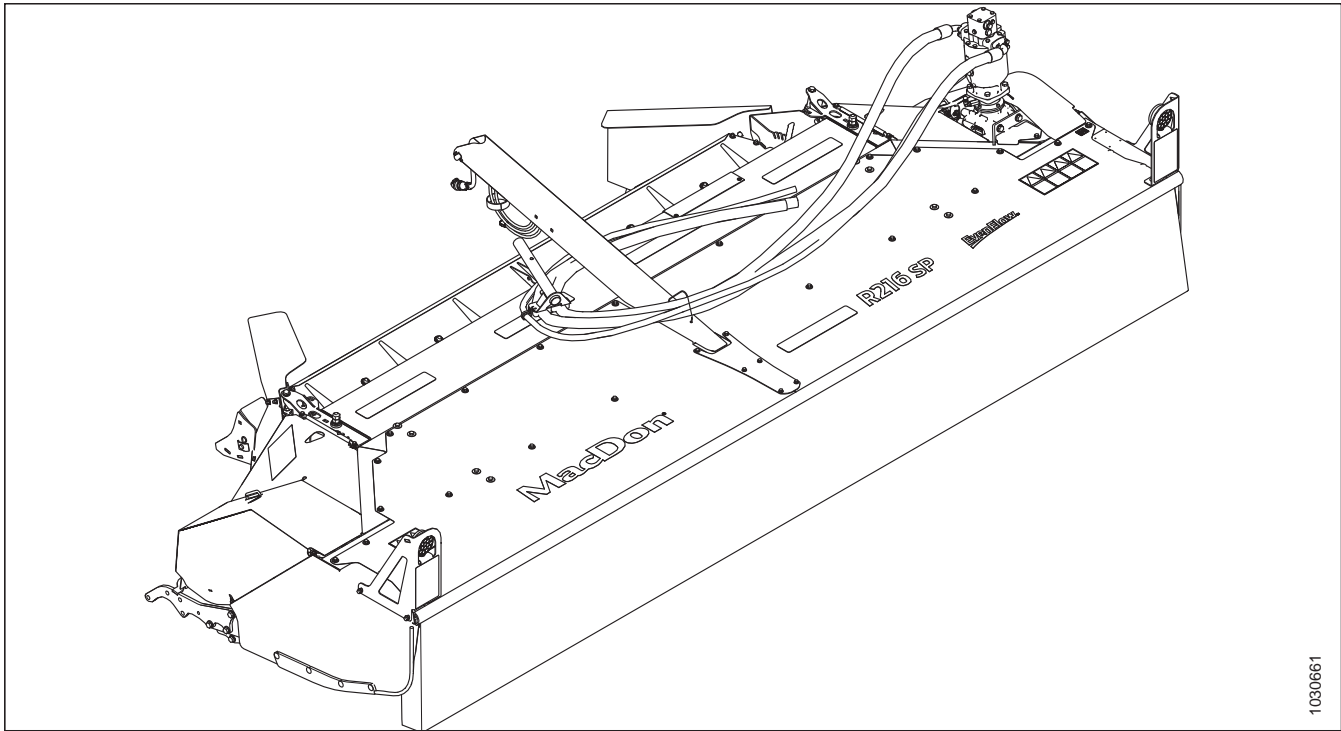
Rotary Disc Header

Operator's Manual

215026 Revision A

Original Instruction

R216 Rotary Disc Header



Published October 2019.

© 2019 MacDon Industries, Ltd.

The information in this publication is based on the information available and in effect at the time of printing. MacDon Industries, Ltd. makes no representation or warranty of any kind, whether expressed or implied, with respect to the information in this publication. MacDon Industries, Ltd. reserves the right to make changes at any time without notice.

Noise Levels

The A-weighted sound pressure level inside the operator's station of a typical self-propelled vehicle (e.g., M1240), when operated in conjunction with this R216 Rotary Disc Header, is **70 dBA**. This measurement was taken in accordance with ISO 5131. The sound pressure level depends upon the rotary disc speed, crop conditions, as well as the exact type of self-propelled vehicle used to power the R216 Rotary Disc Header.

Introduction

This instructional manual contains safety, operating, and maintenance procedures for the MacDon R216 Rotary Disc Header. The rotary disc header when attached to a MacDon M1240 Windrower, is designed to cut, condition, and lay a wide variety of grasses and hay crops in windrows.

Carefully read all the material provided before attempting to unload, assemble, or use the machine.

Use this manual as your first source of information about the machine. If you follow the instructions provided in this manual, and use MacDon parts, the rotary disc header will work well for many years. If you require more detailed service information, contact your Dealer.

Use the Table of Contents and the Index to guide you to specific topics. Study the Table of Contents to familiarize yourself with how the material is organized. Keep this manual handy for frequent reference and to pass on to new Operators or Owners. Call your Dealer if you need assistance, information, or additional copies of this manual.

When setting up the machine or making adjustments, review and follow the recommended machine settings in all relevant MacDon publications. Failure to do so may compromise machine function and machine life and may result in a hazardous situation.

MacDon provides warranty for Customers who operate and maintain their equipment as described in this manual. A copy of the MacDon Industries Limited Warranty Policy, which explains this warranty, should have been provided to you by your Dealer. Damage resulting from any of the following conditions will void the warranty:

- Accident
- Misuse
- Abuse
- Improper maintenance or neglect
- Abnormal or extraordinary use of the machine
- Failure to use the machine, equipment, component, or part in accordance with the manufacturer's instructions

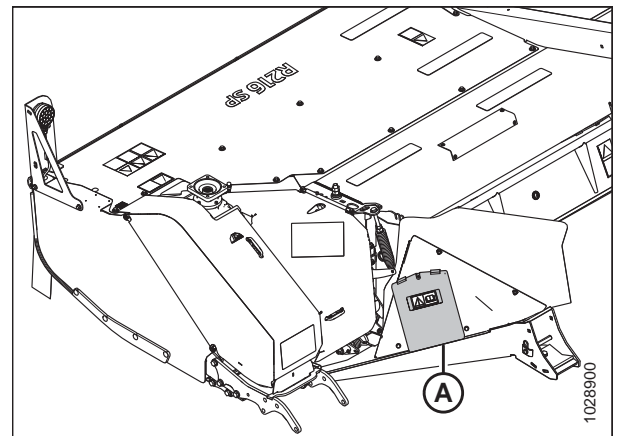
Conventions

The following conventions are used in this document:

- Right and left are determined from the operator's position. The front of the rotary disc header faces the crop.
- Unless otherwise noted, use the standard torque values provided in this manual.

Store the operator's manual and the parts catalog in the plastic manual case (A) on the left fixed deflector.

NOTE: Keep your MacDon publications up-to-date. The most current version can be downloaded from our website www.macdon.com or from our Dealer-only site (<https://portal.macdon.com>) (login required).



Manual Storage Case

Summary of Changes

At MacDon, we're continuously making improvements, and occasionally these improvements affect product documentation. The following list provides an account of major changes from the previous version of this document.

Section	Summary of Change	Internal Use Only
Inside front cover	Added copyright statement.	Tech Pubs
<i>Introduction, page i</i>	Added note about dealer portal access.	Tech Pubs
<i>Summary of Changes, page ii</i>	Added list of changes page.	Tech Pubs
<i>1.8 Locating Safety Decals, page 9</i>	Changed in safety decals and location.	UECN 31081
<i>1.9 Understanding Safety Signs, page 11</i>	Changed in safety decals and location.	UECN 31081
<i>2.1 Specifications, page 13</i>	Added feeding elements section.	Engineering
<i>2.1 Specifications, page 13</i>	Disc speed changed to 2650 rpm.	Engineering
<i>2.1 Specifications, page 13</i>	Added poly roll option.	ECN 58790
<i>3.2.1 Engaging and Disengaging Header Safety Props – M1240 Windrower, page 20</i>	Revised step.	Tech Pubs
<i>3.3.1 Installing Forming Shield, page 22</i>	Added topic.	Service Dept
<i>3.3.2 Attaching Header to M1240 Windrower, page 24</i>	Revised topic.	Service Dept
<i>3.3.3 Connecting R216 SP Hydraulics and Electrical to an M1240 Windrower, page 29</i>	Replaced the following topics: <ul style="list-style-type: none"> Connecting Disc Header Hydraulics Using Hard Plumbing – M1240 Windrowers Connecting Disc Header Hydraulics Using Quick Couplers – M1240 Windrowers 	Tech Pubs
<i>3.3.3 Connecting R216 SP Hydraulics and Electrical to an M1240 Windrower, page 29</i>	Revised note.	Engineering
<i>3.4.1 Detaching R216 Rotary Disc Header from M1240 Windrower, page 36</i>	Revised topic.	
<i>3.4.2 Removing Forming Shield, page 40</i>	Added topic.	Service Dept
<i>Adjusting Skid Shoe Height, page 48</i>	Added topic.	Service Dept
<i>Adjusting Gauge Roller Height, page 49</i>	Added topic.	Service Dept
<i>3.7.4 Ground Speed, page 53</i>	Revised call out on illustration.	Service Dept.
<i>3.8 Conditioner, page 54</i>	Added polyurethane roll information.	ECN 58790
<i>3.8.1 Roll Gap, page 54</i>	Added polyurethane roll information	ECN 58790
<i>Adjusting Roll Tension, page 56</i>	Added polyurethane roll information.	ECN 58790
<i>Adjusting Roll Gap – Polyurethane Rolls, page 55</i>	Added topic.	Tech Pubs
<i>Adjusting Roll Timing, page 57</i>	Revised illustrations to correct driveline phasing.	ECN 58852
<i>Adjusting Roll Timing, page 57</i>	Revised Steps 11 to 13.	Service Dept.

Section	Summary of Change	Internal Use Only
<i>Positioning Forming Shield Side Deflectors – Roll Conditioner, page 61</i>	Removed Step 2.	Engineering
<i>3.9 Cutterbar Deflectors, page 65</i>	Added topic.	Tech Pubs
<i>3.9.1 Removing Cutterbar Deflectors, page 65</i>	Added topic.	Tech Pubs
<i>3.9.2 Installing Cutterbar Deflectors, page 66</i>	Added topic.	Tech Pubs
<i>4.4.1 Maintenance Schedule/Record, page 76</i>	Deleted footnote and revised change icon to lubricate icon in the last entry.	Engineering
<i>4.4.2 Break-In Inspections, page 78</i>	Removed the 25 hours converging drum and roller belt inspection interval.	Service Dept
<i>4.4.2 Break-In Inspections, page 78</i>	Added 25 and 100 hours drive belt inspection interval.	Engineering
<i>4.5.2 Lubrication Locations, page 81</i>	Changed in feedroll belt from two belts to three belts.	ECN 58581
<i>Draining the Cutterbar, page 86</i>	Revised steps.	Engineering
<i>Filling Cutterbar with Lubricant, page 87</i>	Added a step on disengaging the windrower lift cylinder.	Service Dept.
<i>4.6.2 Cutterbar Discs, page 88</i>	Added image.	Engineering
<i>Removing Cutterbar Discs, page 90</i>	Added links to removing the outboard cutterbar discs.	Engineering
<i>Installing Cutterbar Discs, page 92</i>	Added links to installing the outboard cutterbar discs.	Engineering
<i>Installing Cutterbar Discs, page 92</i>	Removed Step 1 (Installing spacer plate).	Tech Pubs
<i>Installing Cutterbar Spindles, page 96</i>	Added illustration and note on using disc timing tool.	Service Dept
<i>4.6.4 Disc Blades, page 101</i>	Removed information about 11° bevel-down blades—not for R2 Series.	Service Dept.
<i>Installing Disc Blades, page 107</i>	Added step to remove pin.	Service Dept.
<i>Installing Suspended Drums, page 119</i>	Removed step about installing driveline shield.	Service Dept.
<i>Replacing Left Suspended Drum Drive Belt, page 120</i>	Added topic.	Service Dept
<i>Replacing Right Suspended Drum Drive Belt, page 124</i>	Added topic.	Service Dept
<i>Removing Left Driven Drum and Driveline, page 126</i>	New drum shields.	ECN 58758
<i>Installing Left Driven Drum and Driveline, page 129</i>	New drum shields.	ECN 58758
<i>Removing Right Driven Drum and Driveline, page 132</i>	New drum shields.	ECN 58758
<i>Installing Right Driven Drum and Driveline, page 135</i>	New drum shields.	ECN 58758
<i>Removing Cutterbar Spindle Shear Pin, page 139</i>	Replaced image to show a sheared shear pin and added step.	Service Dept

Section	Summary of Change	Internal Use Only
<i>Installing Cutterbar Spindle Shear Pin, page 143</i>	Revised procedure.	Service Dept
<i>Changing R216 SP Cutterbar Crop Stream Configuration, page 147</i>	<ul style="list-style-type: none"> Revised note re disc timing tool—it is included with the header. Added location of tool on the header. 	Service Dept
<i>4.9.2 Removing Cutterbar Curtain, page 156</i>	Revised illustration.	Tech Pubs
<i>4.9.2 Removing Cutterbar Curtain, page 156</i>	Revised Step 1.	Service Dept.
<i>4.9.3 Installing Cutterbar Curtain, page 157</i>	Added step.	Service Dept.
<i>4.10.1 Inspecting Conditioner, page 158</i>	Changed illustrations to show three feedroll belts.	ECN 58581
<i>4.12.3 Replacing Header Disc Speed Sensor, page 169</i>	Revised Step 6.	Service Dept.
<i>5.1 Cutterbar Deflectors – MD #B6847, page 171</i>	Added topic.	Tech Pubs
<i>5.2 Double Windrow Attachment – MD #C2070, page 172</i>	Added topic.	Tech Pubs
<i>5.3 Disc Feed Plate Kit – MD #B6669, page 173</i>	Added topic.	Tech Pubs
<i>5.5 Adjustable Gauge Roller Kit – MD #B6855, page 175</i>	Added information.	Service Dept
<i>5.6 Polyurethane Intermeshing Roller – MD #B6661, page 176</i>	Added topic.	ECN 58790
<i>5.7 Steel Intermeshing Roller – MD #B6662, page 177</i>	Added topic.	Tech Pubs
<i>5.8 Adjustable Skid Shoes Kit – MD #B6848, page 178</i>	Added information.	Service Dept
<i>5.8 Adjustable Skid Shoes Kit – MD #B6848, page 178</i>	Replaced MD #B6667 with MD #B6848.	ECN 58703
<i>6.2 Mechanical Problems, page 184</i>	Removed the symptom: Header slows when going uphill	Engineering
	Removed the following topics: <ul style="list-style-type: none"> Changing the Conditioner Removing the Conditioner Installing the Conditioner 	Service Dept. and Engineering
Recommended Lubricants, inside back cover	Revised header drive gearbox oil capacity.	Engineering

Serial Number

Record the serial number and model year of the header in the spaces provided below.

Header model: R216 Rotary Disc Header
Serial number: _____
Model year: _____

The serial number plate (A) is located on the left side of the header, on top of the end panel.

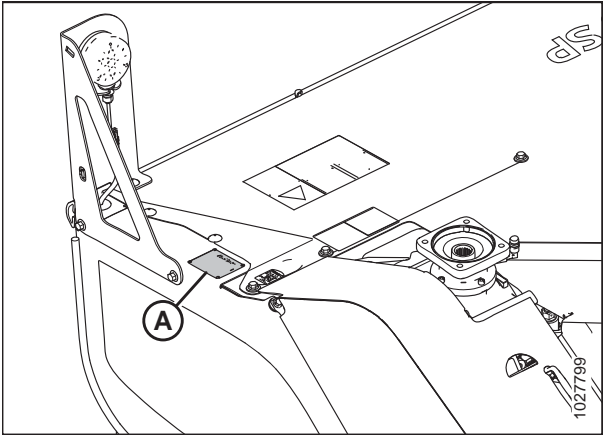


Figure 1: Serial Number Location

TABLE OF CONTENTS

Introduction	i
Summary of Changes.....	ii
Serial Number.....	v
Chapter 1: Safety	1
1.1 Safety Alert Symbols	1
1.2 Signal Words	2
1.3 General Safety	3
1.4 Maintenance Safety	5
1.5 Hydraulic Safety	6
1.6 Welding Precaution	7
1.7 Safety Signs	8
1.7.1 Installing Safety Decals.....	8
1.8 Locating Safety Decals	9
1.9 Understanding Safety Signs	11
Chapter 2: Product Overview.....	13
2.1 Specifications.....	13
2.2 Component Identification	15
2.3 Definitions	16
Chapter 3: Operation.....	19
3.1 Break-In Period	19
3.2 Engaging and Disengaging Header Safety Props	20
3.2.1 Engaging and Disengaging Header Safety Props – M1240 Windrower.....	20
3.3 Attaching Rotary Disc Header to M1240 Windrower	22
3.3.1 Installing Forming Shield	22
3.3.2 Attaching Header to M1240 Windrower.....	24
3.3.3 Connecting R216 SP Hydraulics and Electrical to an M1240 Windrower	29
3.4 Detaching Header from Windrower	36
3.4.1 Detaching R216 Rotary Disc Header from M1240 Windrower	36
3.4.2 Removing Forming Shield	40
3.5 Driveshields.....	42
3.5.1 Opening Driveshields.....	42
3.5.2 Closing Driveshields.....	44
3.6 Cutterbar Curtain	45
3.6.1 Opening Cutterbar Curtain.....	45
3.6.2 Closing Cutterbar Curtain	46
3.7 Header Settings.....	47
3.7.1 Cutting Height	47
Adjusting Skid Shoe Height	48
Adjusting Gauge Roller Height.....	49
3.7.2 Adjusting Cutterbar Angle.....	52

TABLE OF CONTENTS

3.7.3 Header Float	52
3.7.4 Ground Speed	53
3.8 Conditioner	54
3.8.1 Roll Gap	54
Adjusting Roll Gap – Steel Rolls	54
Adjusting Roll Gap – Polyurethane Rolls.....	55
3.8.2 Roll Tension	56
Adjusting Roll Tension	56
3.8.3 Roll Timing.....	57
Checking Roll Timing	57
Adjusting Roll Timing.....	57
3.8.4 Forming Shields – Roll Conditioner.....	61
Positioning Forming Shield Side Deflectors – Roll Conditioner.....	61
Positioning Rear Baffle – Roll Conditioner	62
3.9 Cutterbar Deflectors	65
3.9.1 Removing Cutterbar Deflectors.....	65
3.9.2 Installing Cutterbar Deflectors.....	66
3.10 Haying Tips	67
3.10.1 Curing	67
3.10.2 Topsoil Moisture	67
3.10.3 Weather and Topography.....	67
3.10.4 Windrow Characteristics.....	68
3.10.5 Driving on Windrow.....	68
3.10.6 Using Chemical Drying Agents	68
3.11 Transporting the Header	69
Chapter 4: Maintenance and Servicing.....	71
4.1 Daily Start-Up Check	71
4.2 Preparing Machine for Servicing.....	73
4.3 Recommended Safety Procedures	74
4.4 Maintenance Requirements	76
4.4.1 Maintenance Schedule/Record.....	76
4.4.2 Break-In Inspections	78
4.4.3 Preseason Servicing.....	78
4.4.4 End-of-Season Servicing	79
4.5 Lubrication	80
4.5.1 Greasing Procedure	80
4.5.2 Lubrication Locations.....	81
4.6 Cutterbar System.....	83
4.6.1 Lubricating Cutterbar.....	83
Checking and Adding Lubricant in Cutterbar	83
Draining the Cutterbar.....	86
Filling Cutterbar with Lubricant	87
4.6.2 Cutterbar Discs	88
Inspecting Cutterbar Discs.....	89

TABLE OF CONTENTS

Removing Cutterbar Discs	90
Installing Cutterbar Discs.....	92
4.6.3 Cutterbar Spindles.....	93
Removing Cutterbar Spindles	94
Installing Cutterbar Spindles	96
4.6.4 Disc Blades	101
Inspecting Disc Blades	102
Inspecting Disc Blade Hardware	103
Removing Disc Blades.....	105
Installing Disc Blades	107
4.6.5 Accelerators.....	108
Inspecting Accelerators.....	108
Removing Accelerators	109
Installing Accelerators	111
4.6.6 Rock Guards.....	112
Inspecting Rock Guards.....	112
Removing Rock Guards	113
Installing Rock Guards	114
4.6.7 Drums.....	114
Inspecting Drums.....	115
Removing Suspended Drums	117
Installing Suspended Drums.....	119
Replacing Left Suspended Drum Drive Belt	120
Replacing Right Suspended Drum Drive Belt	124
Removing Left Driven Drum and Driveline.....	126
Installing Left Driven Drum and Driveline	129
Removing Right Driven Drum and Driveline	132
Installing Right Driven Drum and Driveline	135
4.6.8 Cutterbar Spindle Shear Pin	138
Removing Cutterbar Spindle Shear Pin.....	139
Installing Cutterbar Spindle Shear Pin.....	143
4.6.9 Reconfiguring Cutterbar Crop Stream	146
Changing R216 SP Cutterbar Crop Stream Configuration	147
4.7 Conditioner Roll Timing Gearbox	149
4.7.1 Checking and Changing Conditioner Roll Timing Gearbox Oil.....	149
4.8 Header Drive Gearbox	152
4.8.1 Checking Oil in Header Drive Gearbox.....	152
4.8.2 Changing Oil in Header Drive Gearbox	154
4.9 Cutterbar Curtain	155
4.9.1 Inspecting Cutterbar Curtain	155
4.9.2 Removing Cutterbar Curtain.....	156
4.9.3 Installing Cutterbar Curtain.....	157
4.10 Conditioner	158
4.10.1 Inspecting Conditioner	158
Conditioner Drive Belt	160
4.11 Replacing Driveshields	165
4.11.1 Removing Driveshields	165
4.11.2 Installing Driveshields.....	166

TABLE OF CONTENTS

4.12 Electrical System..... 168

 4.12.1 Maintaining Electrical System 168

 4.12.2 Replacing Amber Hazard/Signal Light..... 168

 4.12.3 Replacing Header Disc Speed Sensor..... 169

4.13 Hydraulics 170

 4.13.1 Checking Hydraulic Hoses and Lines..... 170

Chapter 5: Options and Attachments..... **171**

5.1 Cutterbar Deflectors – MD #B6847 171

5.2 Double Windrow Attachment – MD #C2070 172

5.3 Disc Feed Plate Kit – MD #B6669 173

5.4 Electric Remote Baffle Kit – MD #B6664 174

5.5 Adjustable Gauge Roller Kit – MD #B6855..... 175

5.6 Polyurethane Intermeshing Roller – MD #B6661 176

5.7 Steel Intermeshing Roller – MD #B6662..... 177

5.8 Adjustable Skid Shoes Kit – MD #B6848..... 178

5.9 Tall Crop Divider Kit – MD #B6808 179

Chapter 6: Troubleshooting..... **181**

6.1 Performance Problems 181

6.2 Mechanical Problems 184

Chapter 7: Reference **187**

7.1 Torque Specifications 187

 7.1.1 Metric Bolt Specifications 187

 7.1.2 Metric Bolt Specifications Bolting into Cast Aluminum 189

 7.1.3 O-Ring Boss Hydraulic Fittings – Adjustable 190

 7.1.4 O-Ring Boss Hydraulic Fittings – Non-Adjustable 192

 7.1.5 O-Ring Face Seal Hydraulic Fittings 193

 7.1.6 Tapered Pipe Thread Fittings..... 194

7.2 Conversion Chart..... 195

Index..... **197**

Recommended Lubricants..... **201**

Chapter 1: Safety

1.1 Safety Alert Symbols

This safety alert symbol indicates important safety messages in this manual and on safety signs on the machine.

This symbol means:

- **ATTENTION!**
- **BECOME ALERT!**
- **YOUR SAFETY IS INVOLVED!**

Carefully read and follow the safety message accompanying this symbol.

Why is safety important to you?

- Accidents disable and kill
- Accidents cost
- Accidents can be avoided



Figure 1.1: Safety Symbol

1.2 Signal Words

Three signal words, **DANGER**, **WARNING**, and **CAUTION**, are used to alert you to hazardous situations. Two signal words, **IMPORTANT** and **NOTE**, identify non-safety related information. Signal words are selected using the following guidelines:

DANGER

Indicates an imminently hazardous situation that, if not avoided, will result in death or serious injury.

WARNING

Indicates a potentially hazardous situation that, if not avoided, could result in death or serious injury. It may also be used to alert against unsafe practices.

CAUTION

Indicates a potentially hazardous situation that, if not avoided, may result in minor or moderate injury. It may be used to alert against unsafe practices.

IMPORTANT:

Indicates a situation that, if not avoided, could result in a malfunction or damage to the machine.

NOTE:

Provides additional information or advice.

1.3 General Safety

CAUTION

The following general farm safety precautions should be part of your operating procedure for all types of machinery.

Protect yourself when assembling, operating, and servicing machinery, wear all protective clothing and personal safety devices that could be necessary for the job at hand. Do **NOT** take chances. You may need the following:

- Hard hat
- Protective footwear with slip-resistant soles
- Protective glasses or goggles
- Heavy gloves
- Wet weather gear
- Respirator or filter mask
- Be aware that exposure to loud noises can cause hearing impairment or loss. Wear suitable hearing protection devices such as earmuffs or earplugs to help protect against loud noises.

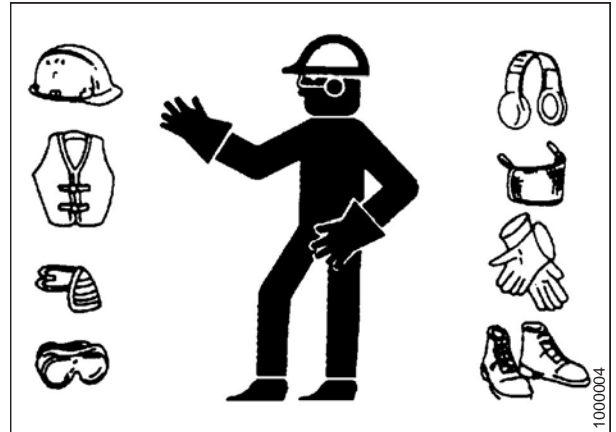


Figure 1.2: Safety Equipment



Figure 1.3: Safety Equipment

- Provide a first aid kit in case of emergencies.
- Keep a properly maintained fire extinguisher on the machine. Be familiar with its proper use.
- Keep young children away from machinery at all times.
- Be aware that accidents often happen when the Operator is tired or in a hurry. Take time to consider safest way. **NEVER** ignore warning signs of fatigue.

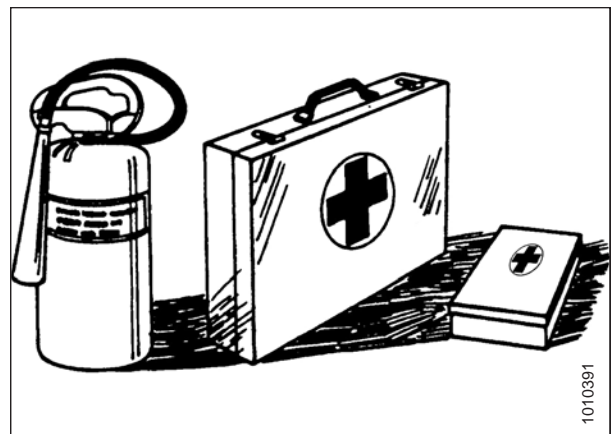


Figure 1.4: Safety Equipment

SAFETY

- Wear close-fitting clothing and cover long hair. **NEVER** wear dangling items such as scarves or bracelets.
- Keep all shields in place. **NEVER** alter or remove safety equipment. Make sure driveline guards can rotate independently of shaft and can telescope freely.
- Use only service and repair parts made or approved by equipment manufacturer. Substituted parts may not meet strength, design, or safety requirements.



Figure 1.5: Safety around Equipment

- Keep hands, feet, clothing, and hair away from moving parts. **NEVER** attempt to clear obstructions or objects from a machine while the engine is running.
- Do **NOT** modify the machine. Unauthorized modifications may impair machine function and/or safety. It may also shorten the machine's life.
- To avoid injury or death from unexpected startup of the machine, **ALWAYS** stop the engine and remove the key from the ignition before leaving the operator's seat for any reason.

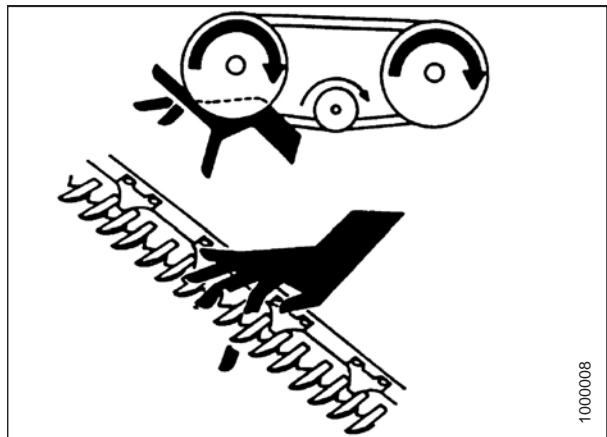


Figure 1.6: Safety around Equipment

- Keep service area clean and dry. Wet and/or oily floors are slippery. Wet spots can be dangerous when working with electrical equipment. Be sure all electrical outlets and tools are properly grounded.
- Keep work area well lit.
- Keep machinery clean. Straw and chaff on a hot engine are fire hazards. Do **NOT** allow oil or grease to accumulate on service platforms, ladders, or controls. Clean machines before storage.
- **NEVER** use gasoline, naphtha, or any volatile material for cleaning purposes. These materials may be toxic and/or flammable.
- When storing machinery, cover sharp or extending components to prevent injury from accidental contact.



Figure 1.7: Safety around Equipment

1.4 Maintenance Safety

To ensure your safety while maintaining machine:

- Review the operator's manual and all safety items before operation and/or maintenance of the machine.
- Place all controls in Neutral, stop the engine, set the park brake, remove the ignition key, and wait for all moving parts to stop before servicing, adjusting, and/or repairing.
- Follow good shop practices:
 - Keep service areas clean and dry
 - Be sure electrical outlets and tools are properly grounded
 - Keep work area well lit
- Relieve pressure from hydraulic circuits before servicing and/or disconnecting the machine.
- Make sure all components are tight and that steel lines, hoses, and couplings are in good condition before applying pressure to hydraulic systems.
- Keep hands, feet, clothing, and hair away from all moving and/or rotating parts.
- Clear the area of bystanders, especially children, when carrying out any maintenance, repairs, or adjustments.
- Install transport lock or place safety stands under the frame before working under the machine.
- If more than one person is servicing the machine at the same time, be aware that rotating a driveline or other mechanically-driven component by hand (for example, accessing a lubricant fitting) will cause drive components in other areas (belts, pulleys, and knives) to move. Stay clear of driven components at all times.
- Wear protective gear when working on the machine.
- Wear heavy gloves when working on knife components.



Figure 1.8: Safety around Equipment

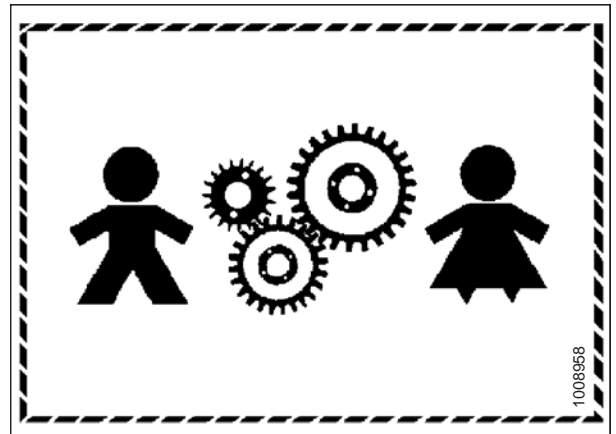


Figure 1.9: Equipment NOT Safe for Children



Figure 1.10: Safety Equipment

1.5 Hydraulic Safety

- Always place all hydraulic controls in Neutral before leaving the operator's seat.
- Make sure that all components in the hydraulic system are kept clean and in good condition.
- Replace any worn, cut, abraded, flattened, or crimped hoses and steel lines.
- Do **NOT** attempt any makeshift repairs to hydraulic lines, fittings, or hoses by using tapes, clamps, cements, or welding. The hydraulic system operates under extremely high-pressure. Makeshift repairs will fail suddenly and create hazardous and unsafe conditions.

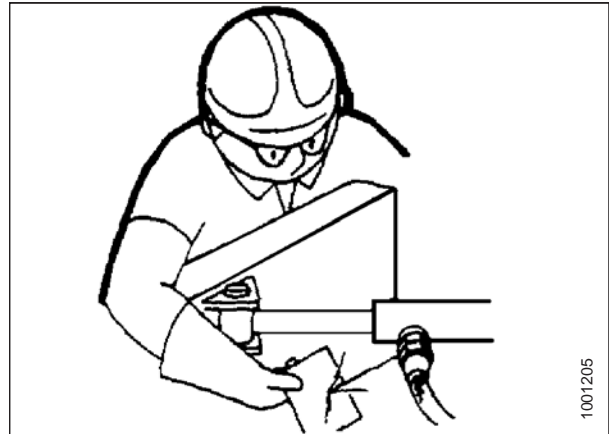


Figure 1.11: Testing for Hydraulic Leaks

- Wear proper hand and eye protection when searching for high-pressure hydraulic leaks. Use a piece of cardboard as a backstop instead of hands to isolate and identify a leak.
- If injured by a concentrated high-pressure stream of hydraulic fluid, seek medical attention immediately. Serious infection or toxic reaction can develop from hydraulic fluid piercing the skin.



Figure 1.12: Hydraulic Pressure Hazard

- Make sure all components are tight and steel lines, hoses, and couplings are in good condition before applying pressure to a hydraulic system.

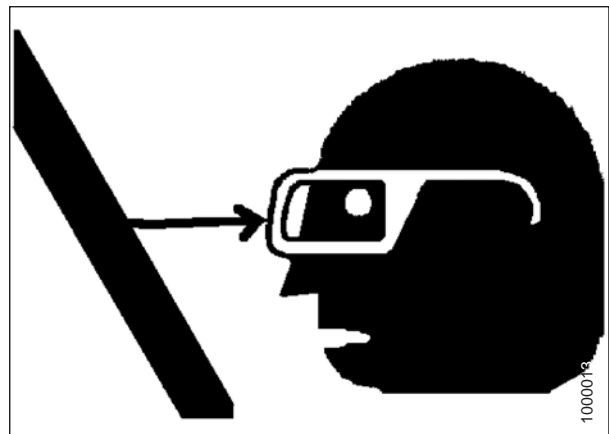


Figure 1.13: Safety around Equipment

1.6 Welding Precaution

Welding should never be attempted on the header while it is connected to a windrower.



WARNING

Severe damage to sensitive, expensive electronics can result from welding on the header while it is connected to the windrower. It can be impossible to know what effect high current could have with regard to future malfunctions or shorter lifespan. It is very important that welding on the header is not attempted while the header is connected to the windrower.

If an Operator needs to do any welding on the header, it should first be disconnected and removed from the windrower.

If it is unfeasible to disconnect the header from the windrower before attempting welding, contact your MacDon Dealer for welding precautions detailing all electrical components that must be disconnected first for safe welding.

1.7 Safety Signs

- Keep safety signs clean and legible at all times.
- Replace safety signs that are missing or illegible.
- If the original part on which a safety sign was installed is replaced, be sure the repair part displays the current safety sign.
- Replacement safety signs are available from Dealer Parts Department.

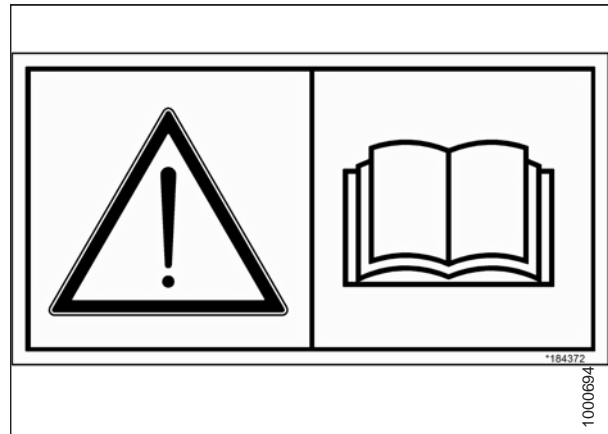


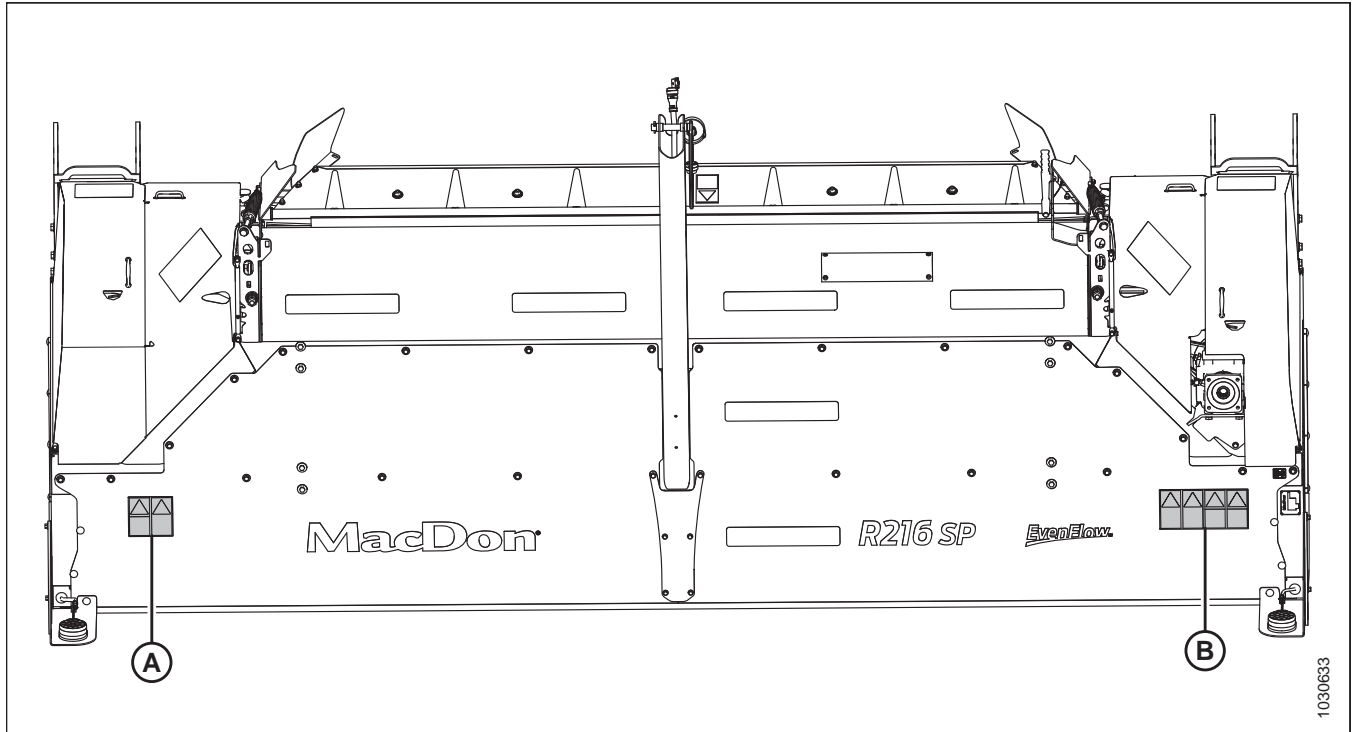
Figure 1.14: Operator's Manual Decal

1.7.1 Installing Safety Decals

1. Clean and dry the installation area.
2. Decide exactly where you are going to place the decal.
3. Remove the smaller portion of the split backing paper.
4. Place the decal in position and slowly peel back the remaining paper, smoothing the decal as it is applied.
5. Prick small air pockets with a pin and smooth out.

1.8 Locating Safety Decals

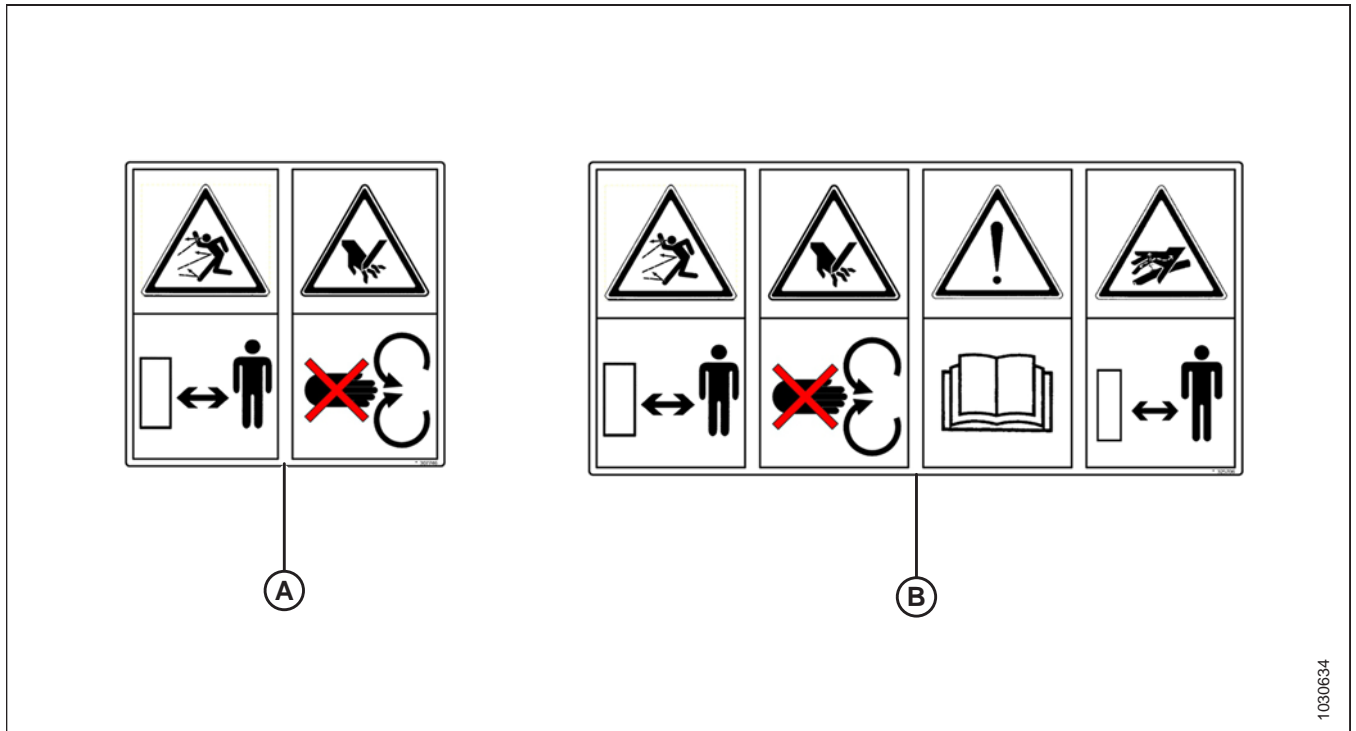
Figure 1.15: Safety Sign Decal Locations – Top View



A - MD #307746

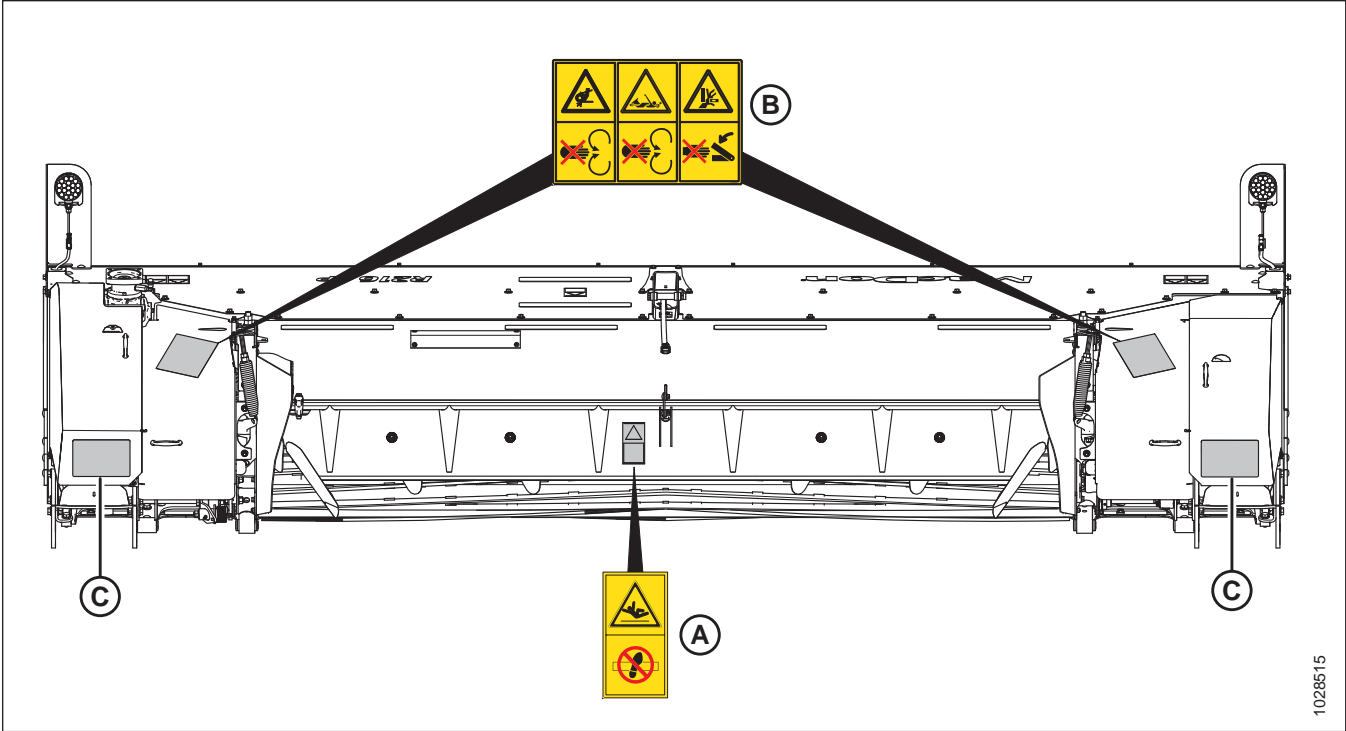
B - MD #325706

Figure 1.16: Safety Sign Decals



SAFETY

Figure 1.17: Safety Sign Decal Locations – Rear View



A - MD #190546

B - MD #325070

C - Reflector

1.9 Understanding Safety Signs

NOTE:

This is a general list of safety sign definitions and the decals listed may not necessarily be applicable to your machine.

MD #190546

Slippery surface

WARNING—DO NOT STEP ON SURFACE

- Do **NOT** use this area as a step or platform.
- Failure to comply could result in serious injury or death.

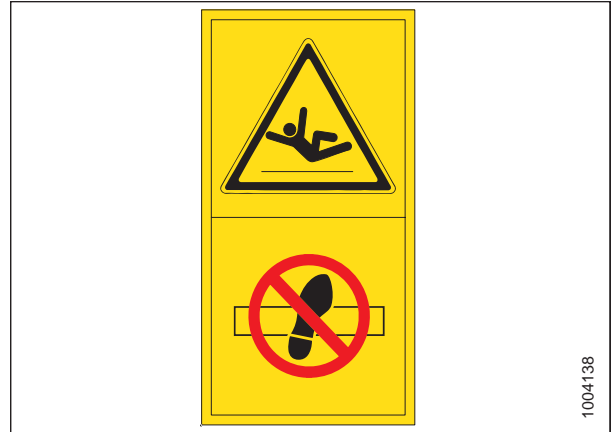


Figure 1.18: MD #190546

MD #307746

Thrown/sharp object hazard

WARNING

- Crop materials exiting at high speed.
- Stop machine, look, listen, and wait for all movement to stop before approaching.
- Failure to comply could result in death or serious injury.
- Disengage power take-off, shut off tractor, and remove key before opening covers.
- Listen and look for evidence of rotation before lifting cover.
- Cutters may continue to rotate after power is shut off due to inertia.



Figure 1.19: MD #307746

MD #325070

Pinch/tangle hazard

WARNING

- Guard missing. Do **NOT** operate.
- Keep all shields in place.
- To avoid entanglement with rotating auger, stand clear of header while machine is running.
- Failure to comply could result in serious injury or death.

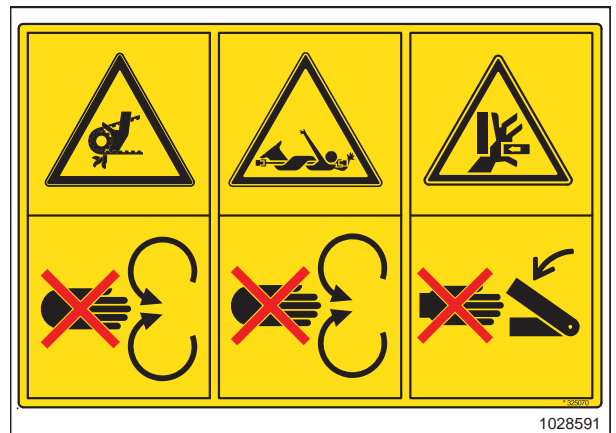


Figure 1.20: MD #325070

SAFETY

MD #325706

Thrown and sharp object/hydraulic oil pressure hazard

WARNING

- Crop materials exiting at high speed.
- Stop machine, look, listen, and wait for all movement to stop before approaching.
- Failure to comply could result in death or serious injury.
- Disengage power take-off, shut off tractor, and remove key before opening covers.
- Listen and look for evidence of rotation before lifting cover.
- Cutters may continue to rotate after power is shut off due to inertia.
- Read the operator's manual, and follow all safety instructions. If you do not have a manual, obtain one from your Dealer.
- Do **NOT** allow untrained persons to operate the machine.
- Review safety instructions with all Operators annually.
- Ensure that all safety signs are installed and legible.
- Make certain everyone is clear of machine before starting engine, and during operation.
- Keep riders off the machine.
- Keep all shields in place and stay clear of moving parts.
- Disengage drive, put transmission in Neutral, and wait for all movement to stop before leaving operator's position.
- Shut off engine and remove key from ignition before servicing, adjusting, lubricating, cleaning, or unplugging machine.
- Engage locks to prevent lowering of self-propelled rotary disc header before servicing in the raised position.
- Use slow moving vehicle emblem and flashing warning lights when operating on roadways unless prohibited by law.
- High pressure oil easily punctures skin causing serious injury, gangrene, or death.
- If injured, seek emergency medical help.
- Do **NOT** use finger or skin to check for leaks.
- Lower load or relieve hydraulic pressure before loosening fittings.

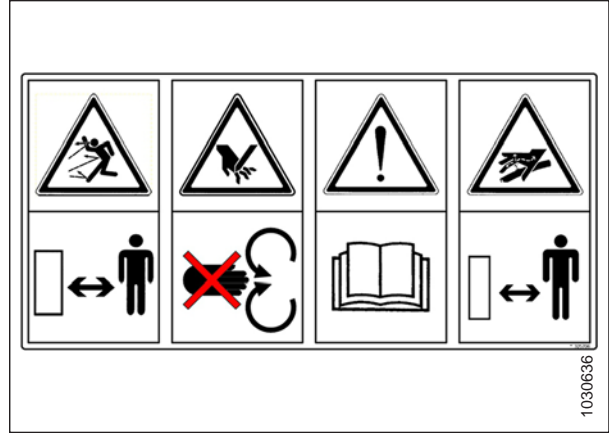


Figure 1.21: MD #325706

Chapter 2: Product Overview

2.1 Specifications

NOTE:

Specifications and design are subject to change without notice or obligation to revise previously sold units.

Frame and Structure	
Width	5027 mm (198 in.)
Weight: base machine with steel conditioner	2156 kg (4750 lb.)
Compatible windrower	MacDon M1240
Lighting	Left and right turn signals
Manual storage	Plastic case on header – left header support deflector
Cutterbar	
Number of cutting discs	Ten
Blades per disc	Two 18° bevel down
Disc speed (full engine speed)	2650 rpm
Blade max tip speed	83.6 m/s (187 mph)
Effective cutting width	4942 mm (16 ft. 2 in.)
Minimum Cutting height	20 mm (25/32 in.) at 8° header tilt
Cutting angle range	0–8° below horizontal
Adjustable shoes or gauge rollers	Standard
Gear train protection	Shearpin (safecut)
Feeding Elements	
Converging drums	Four-drum type
Feed Roller	Standard
Diameter (peripheral)	152 mm (6 in.)
Length	3275 mm (6 in.)
Drive (with spring loader idler)	2 HA belt
Speed range	720–1040
Tall crop feed plates	Optional
Cutterbar deflector	Optional
Drives	
Hydraulic motor	Piston type into 90° gearbox
Cutterbar	Direct drive through 90° gearbox and universal shaft
Conditioner drive	Belt drive (4HB) from 90° gearbox to conditioner
Conditioner roll timing	Timing gearbox

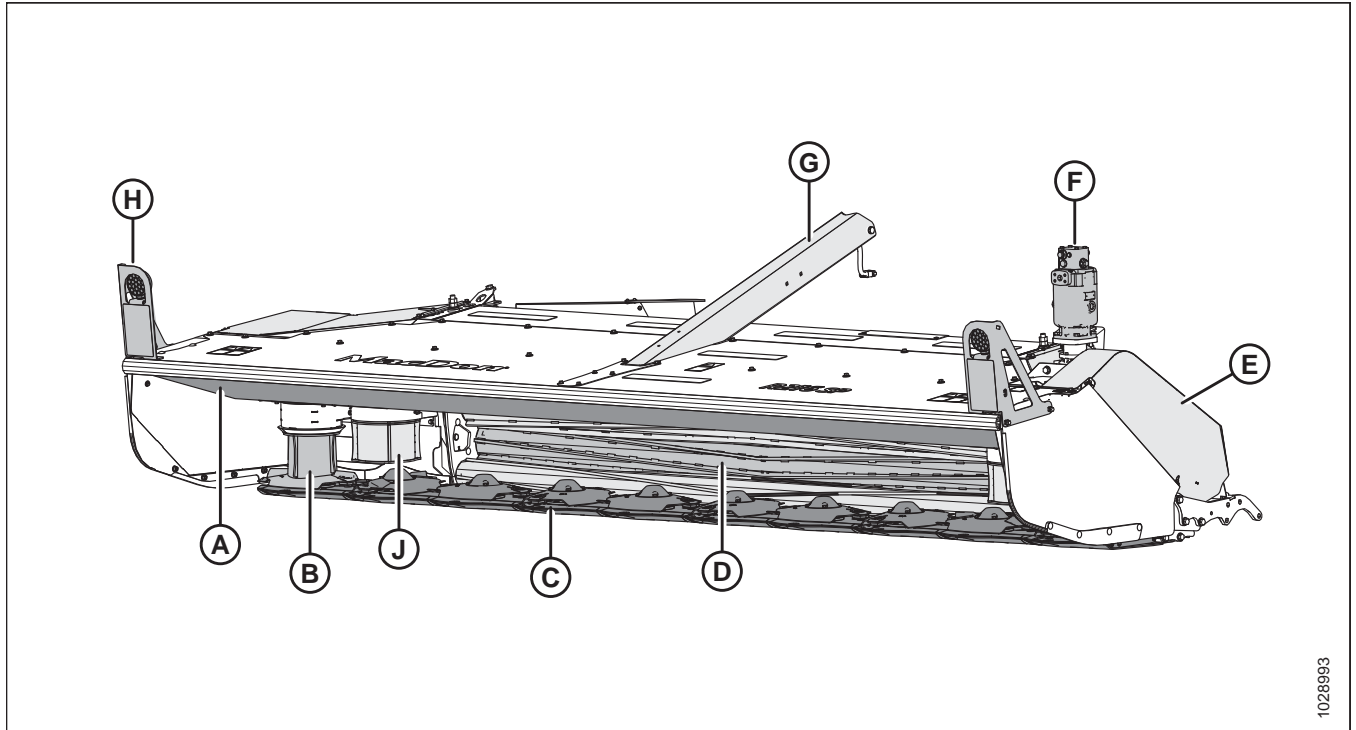
PRODUCT OVERVIEW

Hay Conditioner Options	
Steel rolls	Optional
Roll type	Steel on steel chevron conditioner rolls
Roll length	3275 mm (129 in.)
Roll diameter	229 mm (9 in.) roll diameter (outer) on 179 mm (7 in.) OD tube
Roll speed	1040 rpm (at disc speed of 2600 rpm)
Polyurethane rolls	Optional
Roll type	Polyurethane intermeshing conditioner rolls
Roll length	3275 mm (129 in.)
Roll diameter	254 mm (10 in.) roll diameter (outer) on 203 mm (8 in.) OD tube
Roll speed	1009 rpm
Swath width ¹	915–2438 mm (36–96 in.)
Forming shields	Full width angle-adjustable rear baffle on conditioner with adjustable windrower mounted forming shield

1. Actual swath width may vary based upon conditioner type, crop type, and crop volume.

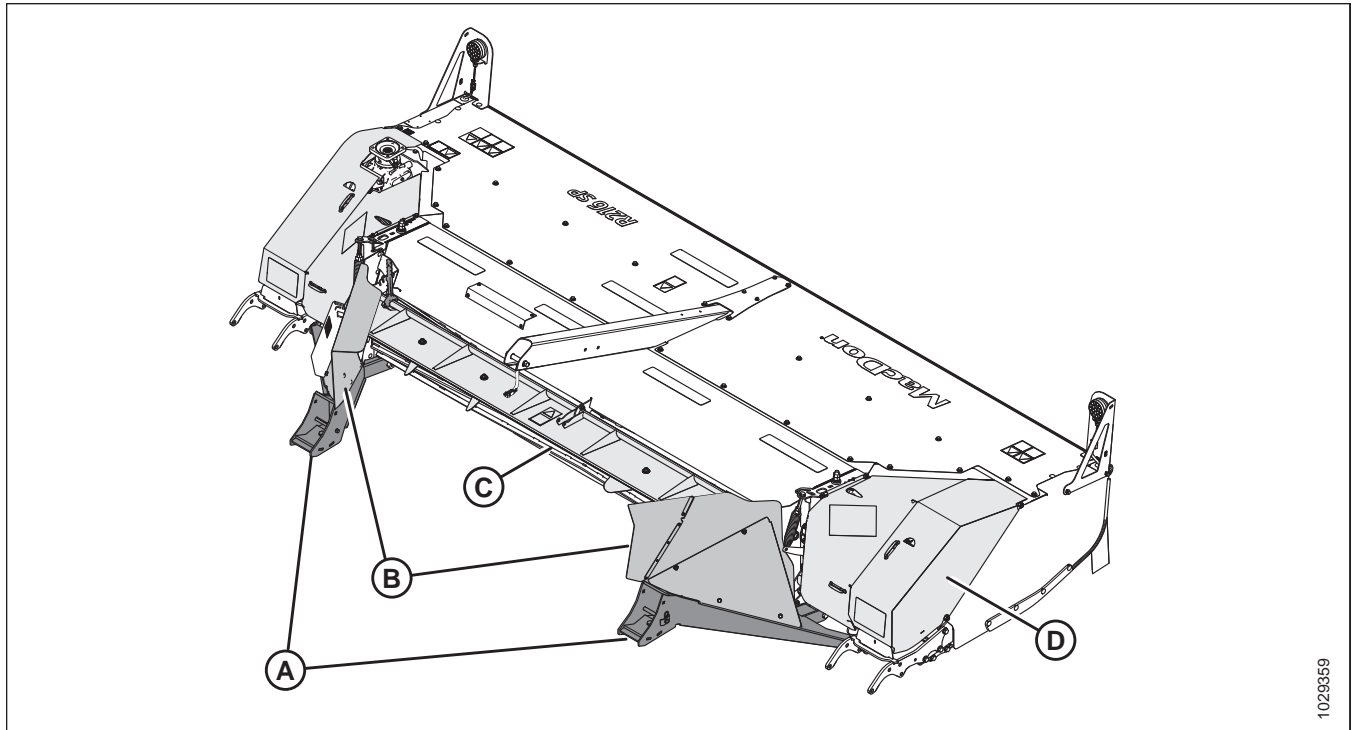
2.2 Component Identification

Figure 2.1: R216 Rotary Disc Header



- | | | | |
|----------------------------|-----------------------|--|-------------------------|
| A - Front Curtain | B - Disc Drum (Right) | C - 10-Disc Cutterbar | D - Conditioner Rolls |
| E - Drive Shield (Left) | F - Hydraulic Motor | G - Center-Link Tube (Welded to Frame) | H - Hazard/Brake Lights |
| J - Suspended Drum (Right) | | | |

Figure 2.2: R216 Rotary Disc Header



- | | | | |
|---------------------|----------------|----------------------|------------------|
| A - Header Supports | B - Deflectors | C - Rear Crop Baffle | D - Drive Shield |
|---------------------|----------------|----------------------|------------------|

2.3 Definitions

The following terms and acronyms may be used in this manual:

Term	Definition
API	American Petroleum Institute
ASTM	American Society of Testing and Materials
Bolt	A headed and externally threaded fastener that is designed to be paired with a nut
Cab-forward	Windrower operation with Operator and cab facing in direction of travel
Center-link	A hydraulic cylinder link between header and machine used to change header angle
CGVW	Combined gross vehicle weight
Export header	Header configuration typical outside North America
FFFT	Flats from finger tight
Finger tight	Finger tight is a reference position where sealing surfaces or components are making contact with each other, and fitting has been tightened to a point where fitting is no longer loose
GVW	Gross vehicle weight
Hard joint	A joint made with use of a fastener where joining materials are highly incompressible
Header	A machine that cuts and lays crop into a windrow and is attached to a windrower
Hex key	A tool of hexagonal cross-section used to drive bolts and screws that have a hexagonal socket in head (internal-wrenching hexagon drive); also known as an Allen key and various other synonyms
hp	Horsepower
HPT display	Harvest Performance Tracker display module on an M1 Series Windrower
JIC	Joint Industrial Council: A standards body that developed standard sizing and shape for original 37° flared fitting
M1 Series	MacDon M1170 and M1240 Windrowers
n/a	Not applicable
North American header	Header configuration typical in North America
NPT	National Pipe Thread: A style of fitting used for low-pressure port openings. Threads on NPT fittings are uniquely tapered for an interference fit
Nut	An internally threaded fastener that is designed to be paired with a bolt
ORB	O-ring boss: A style of fitting commonly used in port openings on manifolds, pumps, and motors
ORFS	O-ring face seal: A style of fitting commonly used for connecting hoses and tubes. This style of fitting is also commonly called ORS, which stands for O-ring seal
PARK	The slot opposite the NEUTRAL position on operator's console of M1 Series windrowers
R2 SP Series	MacDon R216 Rotary Disc Headers for windrowers
rpm	Revolutions per minute
SAE	Society of Automotive Engineers
Screw	A headed and externally threaded fastener that threads into preformed threads or forms its own thread into a mating part

PRODUCT OVERVIEW

Term	Definition
Soft joint	A joint made with use of a fastener where joining materials are compressible or experience relaxation over a period of time
SP rotary disc header	Rotary disc header that connects to a self-propelled machine (windrower, etc.)
Tension	Axial load placed on a bolt or screw, usually measured in Newtons (N) or pounds (lb.)
TFFT	Turns from finger tight
Torque	The product of a force X lever arm length, usually measured in Newton-meters (Nm) or foot-pounds (lbf-ft)
Torque angle	A tightening procedure where fitting is assembled to a precondition (finger tight) and then nut is turned farther a number of degrees to achieve its final position
Torque-tension	The relationship between assembly torque applied to a piece of hardware and axial load it induces in bolt or screw
Washer	A thin cylinder with a hole or slot located in the center that is to be used as a spacer, load distribution element, or locking mechanism
Windrower	Power unit for a header

Chapter 3: Operation

3.1 Break-In Period

After attaching the header to the windrower for the first time, operate the machine slowly for 5 minutes, watching and listening from the operator's seat for binding or interfering parts.

NOTE:

Until you become familiar with the sound and feel of your new header, be extra alert and attentive.



CAUTION

Before investigating an unusual sound or attempting to correct a problem, stop the engine, put the ground speed lever (GSL) in PARK, and remove the key.

NOTE:

Perform the items specified in [4.4.2 Break-In Inspections, page 78](#).

3.2 Engaging and Disengaging Header Safety Props

Safety props are located on both header lift cylinders on the windrower.

3.2.1 Engaging and Disengaging Header Safety Props – M1240 Windrower

Safety props are located on both header lift cylinders on the windrower. Follow these steps to engage or disengage the header safety props:

DANGER

To avoid bodily injury from fall of raised header, always engage safety props when working on or around raised header, and before going under header for any reason.

1. Start the engine.
2. Press the HEADER UP (A) switch to raise header to maximum height.

NOTE:

If one end of the header does **NOT** fully raise, rephase the lift cylinders as follows:

- a. Press and hold the HEADER UP switch (A) until both cylinders stop moving.
 - b. Continue to hold the switch for 3–4 seconds. Cylinders are now phased.
3. Shut down the engine, and remove the key from the ignition.



Figure 3.1: Ground Speed Lever

4. Engage the safety props on both lift cylinders as follows:
 - a. Pull lever (A) toward you to release, and then rotate toward header to lower the safety prop onto the cylinder.
 - b. Repeat for the opposite lift cylinder.

IMPORTANT:

Ensure the safety props engage over the cylinder piston rods. If the safety prop does not engage properly, raise the header until the safety prop fits over the rod.

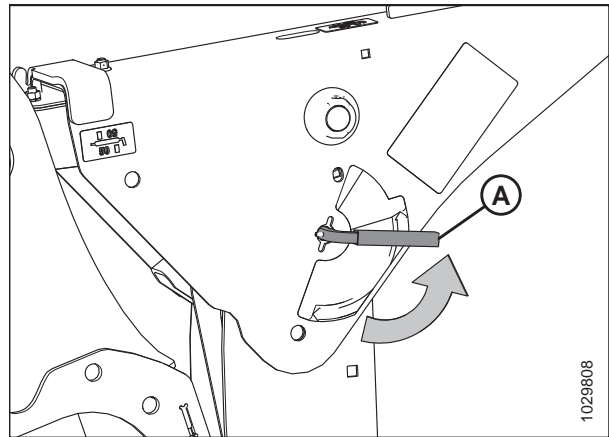


Figure 3.2: Safety Prop Lever

OPERATION

5. Disengage the safety props on both lift cylinders as follows:

NOTE:

If the safety prop will not disengage, raise the header to release the prop.

- a. Turn lever (A) away from the header to raise the safety prop until the lever locks into the vertical position.
 - b. Repeat for the opposite cylinder.
6. Start the engine.
 7. Lower the header fully.
 8. Shut down the engine, and remove the key from the ignition.

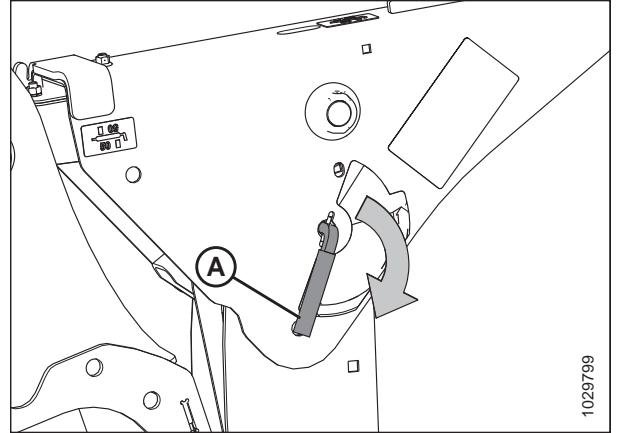


Figure 3.3: Safety Prop Lever

3.3 Attaching Rotary Disc Header to M1240 Windrower

3.3.1 Installing Forming Shield

WARNING

To avoid bodily injury or death from unexpected startup of the machine, always stop the engine and remove the key from the ignition before leaving the operator's seat for any reason.

1. Stop engine, and remove key from ignition.
2. Position forming shield (A) in between windrower legs as shown.
3. Remove lynch pin (B) and clevis pin (C).
4. Mount forming shield (A) to bolts and spacers (D).

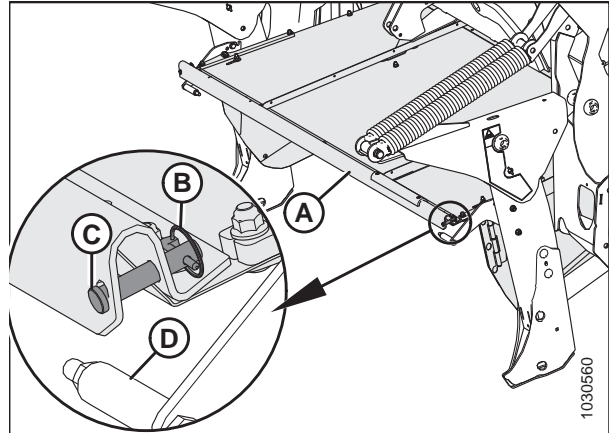


Figure 3.4: Forming Shield and Windrower

5. Secure forming shield (C) to bolts and spacers (D) using clevis pin (B) and lynch pin (A). Repeat at the opposite side.

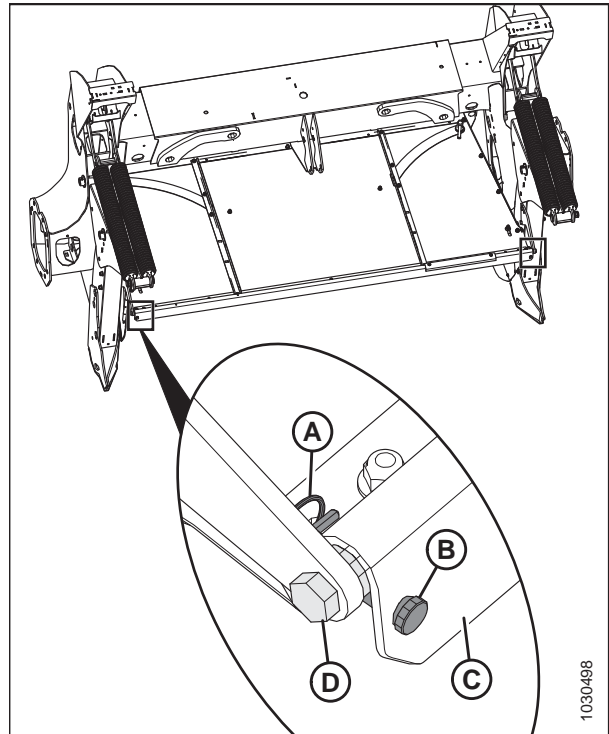


Figure 3.5: Forming Shield Secured to Front of Windrower Legs

OPERATION

6. Remove lynch pin (A) and washer (B) from straight pin (C).

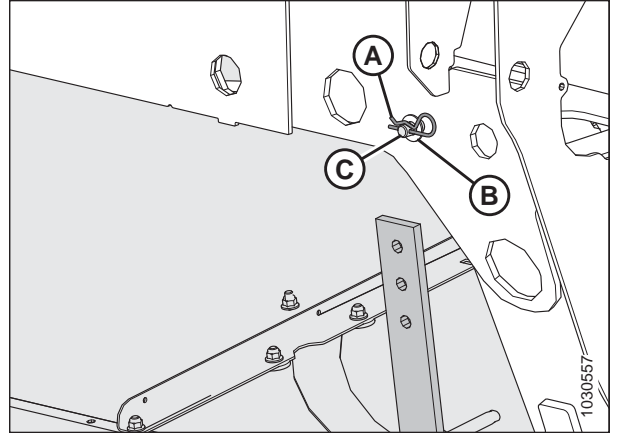


Figure 3.6: Lynch Pin and Washer at Rear of Windrower Leg

7. Attach rubber strap (D) to straight pin (C) at the rear of windrower leg. Secure with washer (B) and lynch pin (A).

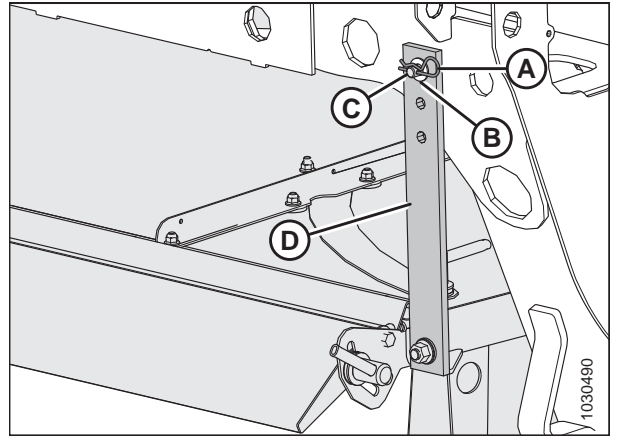


Figure 3.7: Rubber Strap Securing Forming Shield onto Windrower Leg

3.3.2 Attaching Header to M1240 Windrower

The windrower may have an optional self-aligning hydraulic center-link that allows vertical position control of the center-link from the cab.

WARNING

To avoid bodily injury or death from unexpected startup of the machine, always stop the engine and remove the key from the ignition before leaving the operator's seat for any reason.

1. **Hydraulic Center-Link without Self-Alignment:** Remove pin (A) and raise center-link (B) until hook is above the attachment pin on header. Replace pin (A) to hold center-link in place.

IMPORTANT:

If the center-link is too low, it may contact the header as the windrower approaches the header for hookup.

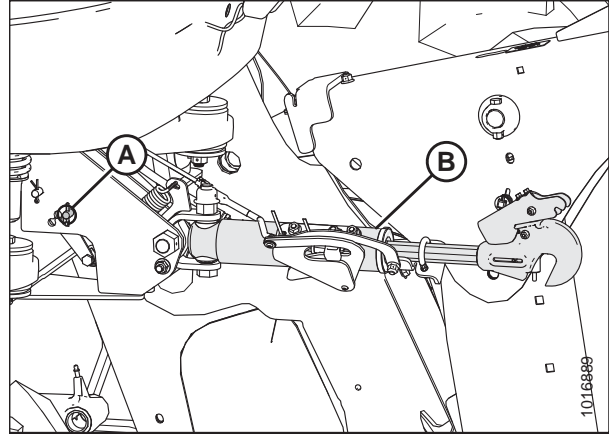


Figure 3.8: Hydraulic Center-Link

2. Remove hairpin (A) from clevis pin (B), and remove pin from header support (C) on both sides of the header.

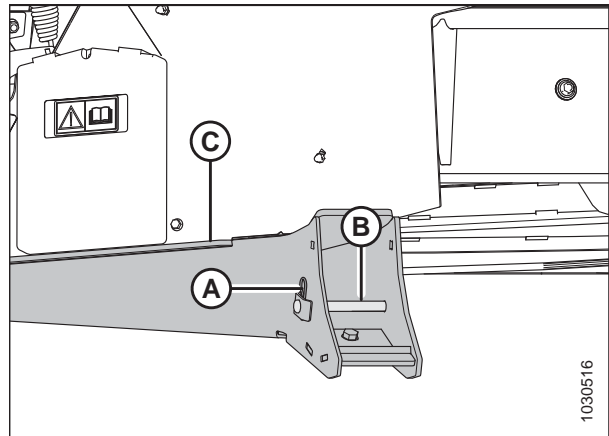


Figure 3.9: Header Support

3. Lift header support (A) and place 2 x 4 in. blocks (B) under the header support. A total of four 2 x 4 in. blocks (B) will be necessary to raise the boot up into field position. Ensure the boot's bottom edge (C) is parallel with the ground

NOTE:

Do **NOT** stack blocks (B) crosswise as doing so can make the header unstable when attempting to connect the header and windrower. Stack blocks (B) parallel with each other.

4. Repeat Step 3, [page 24](#) on opposite side.

CAUTION

Check to be sure all bystanders have cleared the area.

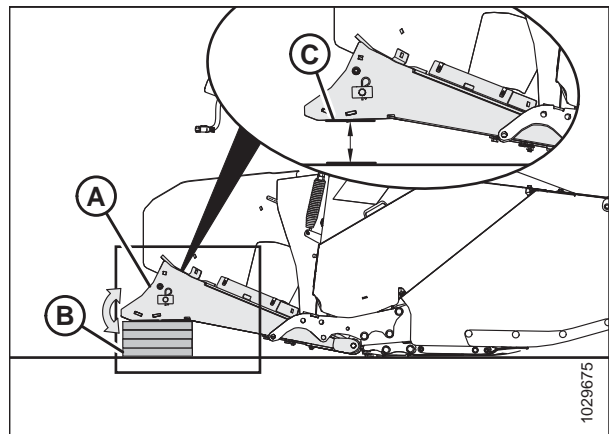


Figure 3.10: Header Support

OPERATION

5. Start the windrower engine. For instructions, refer to the windrower operator's manual.

CAUTION

When lowering header lift legs without a header or weight box attached to the windrower, ensure the float springs tension is fully released to prevent damage to the header lift linkages.

NOTE:

If not prompted by the Harvest Performance Tracker (HPT) display to remove float, remove float manually. For instructions, refer to windrower operator's manual for instructions.

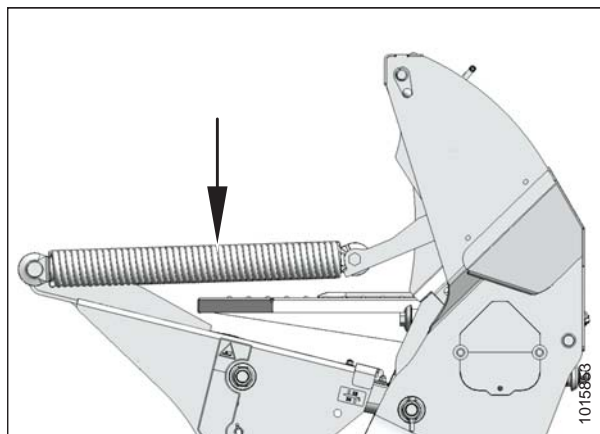


Figure 3.11: Header Float Spring

6. Press rotary scroll knob (A) on display to highlight QuickMenu options.
7. Rotate scroll knob (A) to highlight the HEADER FLOAT symbol (B), and press scroll knob to select. The header float adjust screen displays.



Figure 3.12: HPT Display

8. Press soft key 3 (A) to remove the header float.

NOTE:

If the header float is active, the icon at soft key 3 will display REMOVE FLOAT; if header float has been removed, the icon will display RESUME FLOAT.



Figure 3.13: HPT Display

OPERATION

9. Press HEADER DOWN switch (E) on ground speed lever (GSL) to fully retract header lift cylinders.
10. **Self-Aligning Hydraulic Center-Link:** Press REEL UP switch (B) on the GSL to raise the center-link until the hook is above the attachment pin on the header.

IMPORTANT:

If the center-link is too low, it may contact the header as the windrower approaches the header for hookup.

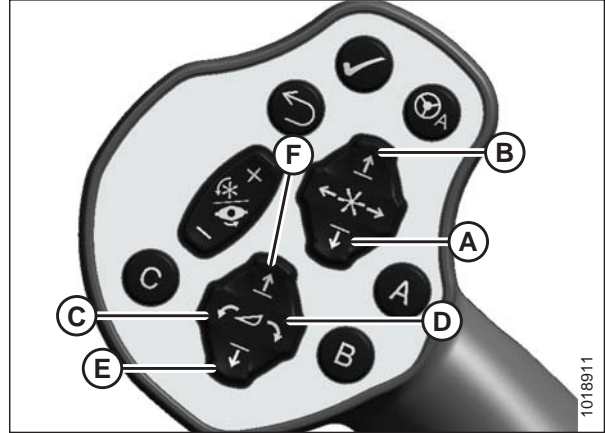


Figure 3.14: GSL

A - Reel Down	B - Reel Up
C - Header Tilt Down	D - Header Tilt Up
E - Header Down	F - Header Up

11. Drive the windrower slowly forward until feet (A) enter supports (B). Continue to drive slowly forward until feet engage the supports and header nudges forward.
12. Ensure feet (A) are properly engaged in supports (B).

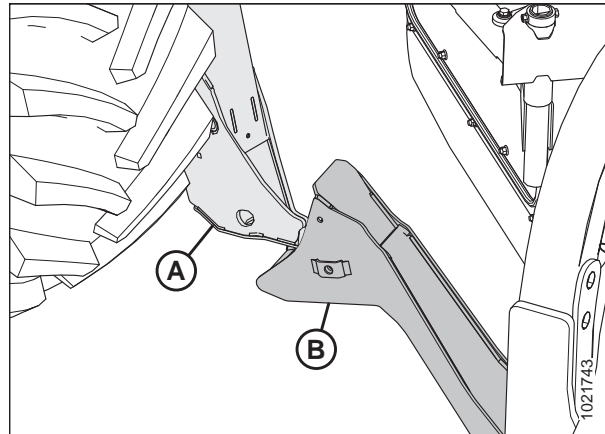


Figure 3.15: Header Support

13. Self-Aligning Hydraulic Center-Link:

- a. Adjust the position of center-link cylinder (A) with the switches on the GSL until hook (B) is above the header attachment pin.

IMPORTANT:

Hook release (C) must be down to enable the self-locking mechanism.

- b. If hook release (C) is open (up), shut down the engine, and remove the key from the ignition. Manually push hook release (C) down after the hook engages the header pin.
- c. Lower center-link (A) onto the header with REEL DOWN switch on the GSL until the center-link locks into position and hook release (C) is down.
- d. Check that center-link is locked onto header by pressing the REEL UP switch on the GSL.

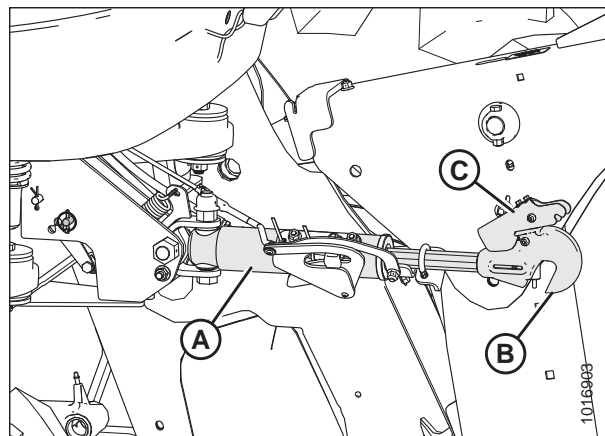


Figure 3.16: Hydraulic Center-Link

OPERATION

14. Hydraulic Center-Link without Self-Alignment:

- a. Press HEADER TILT UP or HEADER TILT DOWN cylinder switches on the GSL to extend or retract center-link cylinder until the hook is aligned with the header attachment pin.
- b. Shut down the engine, and remove the key from the ignition.
- c. Push down on rod end of link cylinder (B) until hook engages and locks onto header pin.

IMPORTANT:

Hook release must be down to enable self-locking mechanism. If the hook release is open (up), manually push it down after hook engages pin.

- d. Check that center-link (A) is locked onto header by pulling upward on rod end (B) of cylinder.

CAUTION

Check to be sure all bystanders have cleared the area.

- e. Start the engine.

15. Press HEADER UP switch (A) to raise the header to maximum height.

NOTE:

If one end of the header does **NOT** fully raise, rephase the lift cylinders as follows:

- a. Press and hold HEADER UP switch (A) until both cylinders stop moving.
- b. Continue to hold the switch for 3–4 seconds. Cylinders are now phased.

16. Shut down the engine, and remove the key from the ignition.

17. Engage the safety props on both lift cylinders as follows:

- a. Pull lever (A) toward you to release, and then rotate toward header to lower the safety prop onto the cylinder.
- b. Repeat for the opposite lift cylinder.

IMPORTANT:

Ensure the safety props engage over the cylinder piston rods. If the safety prop does not engage properly, raise the header until the safety prop fits over the rod.

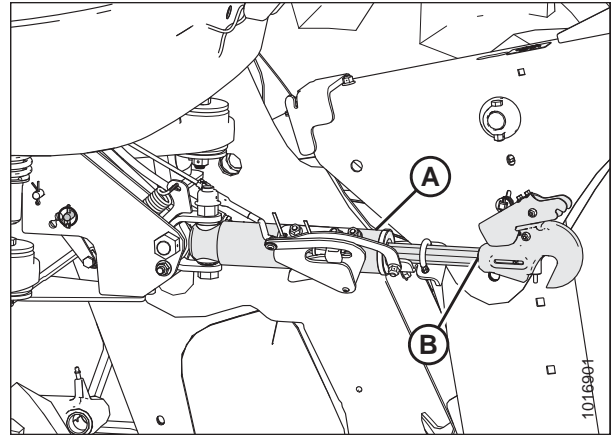


Figure 3.17: Hydraulic Center-Link



Figure 3.18: GSL

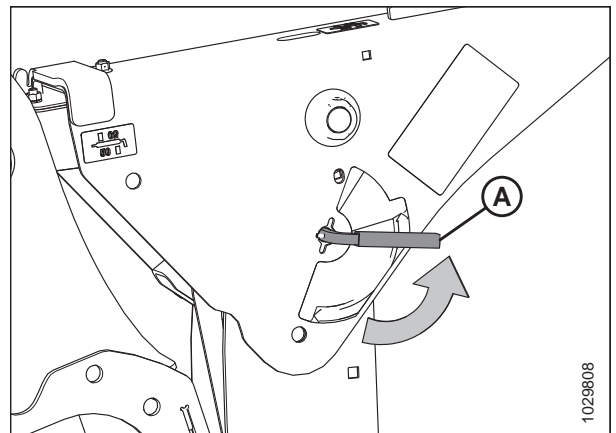


Figure 3.19: Safety Prop Lever

OPERATION

18. Install clevis pin (A) through support and windrower lift arm and secure with hairpin (B). Repeat for the opposite side of the header.

IMPORTANT:

Ensure clevis pin (A) is fully inserted, and hairpin is installed behind bracket.

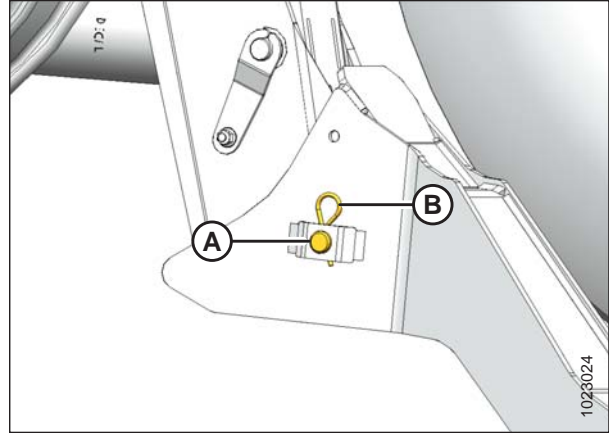


Figure 3.20: Header Support

19. Disengage the safety props on both lift cylinders as follows:

NOTE:

If the safety prop will not disengage, raise the header to release the prop.

- Turn lever (A) away from the header to raise the safety prop until the lever locks into the vertical position.
- Repeat for the opposite cylinder.

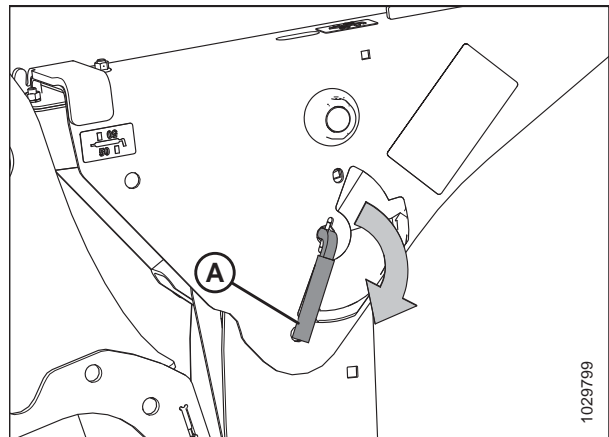


Figure 3.21: Safety Prop Lever

20. Start the engine and press HEADER DOWN switch (A) on GSL to fully lower header.

NOTE:

If not prompted by the HPT display to restore float, restore float manually.

21. Shut down the engine, and remove the key from the ignition.

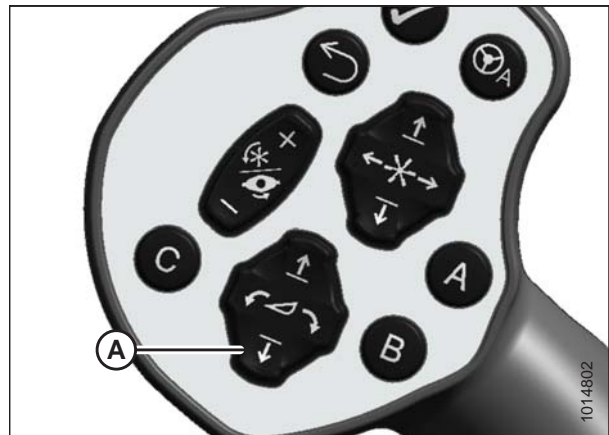


Figure 3.22: GSL

3.3.3 Connecting R216 SP Hydraulics and Electrical to an M1240 Windrower

The R216 SP hydraulics connection procedure varies depending on the windrower configuration:

- Draper header ready windrowers include one set of hydraulic quick couplers which are compatible with the header drive hoses on the R216 SP. One additional set of quick couplers (MD #B6277) is required.
- Rotary disc header ready windrowers include hard plumbed hydraulics connections.

NOTE:

Quick couplers can be installed if desired on disc-only configured windrowers – two sets of quick coupler bundle B6277 are required to do so.

IMPORTANT:

To prevent contamination of the hydraulic system, use a clean rag to remove dirt and moisture from all (fixed and movable) hydraulic couplers.

1. Open the windrower’s left platform. For instructions, refer to windrower operator’s manual.
2. Using a clean rag, remove dirt and moisture from the couplers on the left side of the windrower frame.
3. Retrieve hydraulic hoses (A) from the header and route the hose bundle under the windrower frame.

NOTE:

Adding anti-seize to the hose holder pin will make future removal easier.

4. Insert pin (B) into hole (C) in windrower frame.

IMPORTANT:

Route hydraulic hoses as straight as possible, and avoid rub/wear points that could damage the hoses. To prevent damage, hoses should have enough slack to pass by the multicoupler bracket without contact. To adjust hose slack, loosen hose holder (B) on the front windrower leg, adjust hoses, then retighten the hose holder.

5. Remove protective plugs (A) from the ends of the hydraulic hoses.

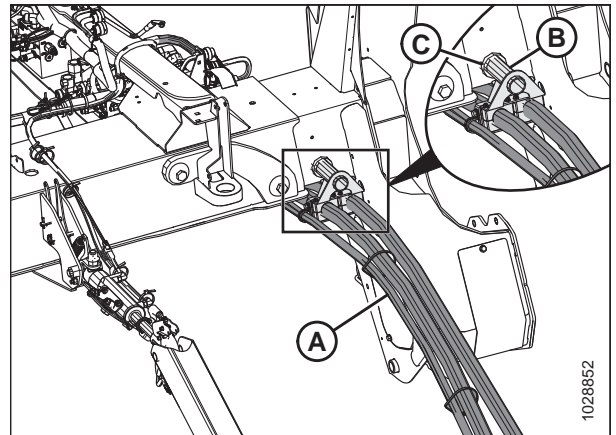


Figure 3.23: Hose Support Attachment

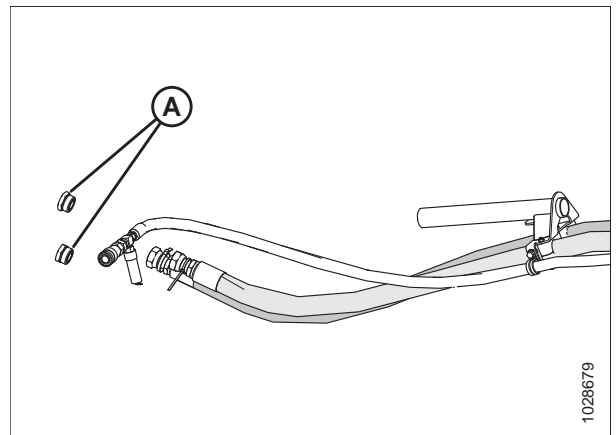


Figure 3.24: Hydraulic Hoses Protective Plugs

OPERATION

Proceed with the steps that are relevant to the following windrower configurations:

Windrower Configuration	Steps for Connecting Hydraulics and Electrical
Rotary disc/drapper ready configuration (A)	Steps 6, page 30 to 9, page 31
Rotary disc only hard plumbed configuration (B)	Step 10, page 32 to 11, page 32
Rotary disc ready configuration (B) with quick couplers installed	Steps 12, page 32 to 17, page 34

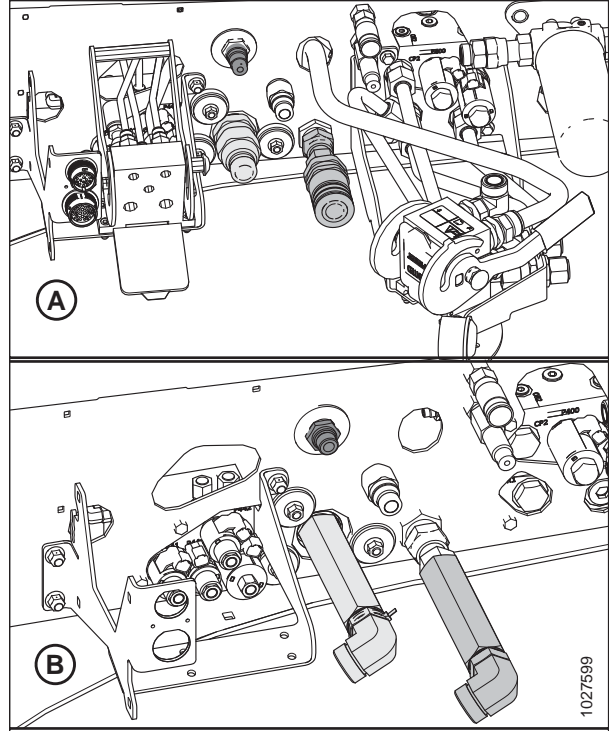


Figure 3.25: Header Hydraulics Configurations

Rotary disc/drapper ready configuration with quick couplers:

6. Ensure hose (A) is disconnected from windrower receptacle (B) and placed in storage cup (C) on multicoupler.

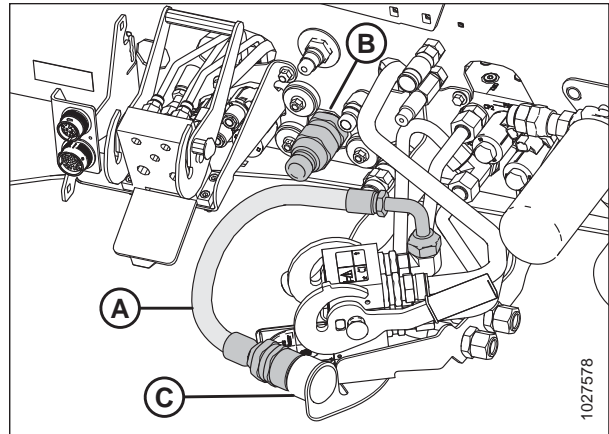


Figure 3.26: Couplers – Draper Ready

OPERATION

7. Connect hydraulic fittings to the hydraulic hoses as follows:
 - a. Attach 90° elbow fitting (A) and 1 in. female coupler fitting (B) to disc pressure hose (C).
 - b. Attach 90° elbow fitting (A) and 1 in. male coupler fitting (D) to disc return hose (E).

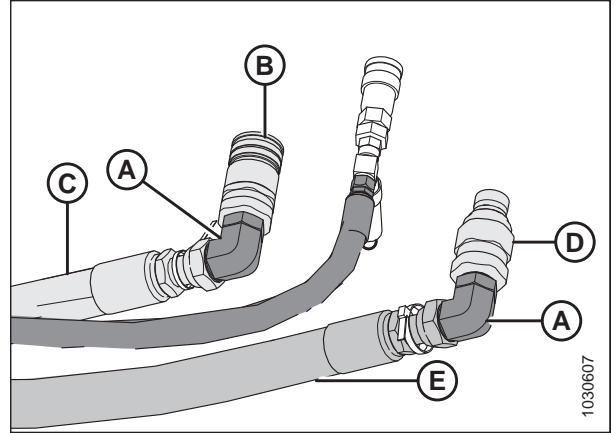


Figure 3.27: Hydraulic Fittings

8. Connect the hydraulic hoses to the windrower with quick coupler fittings as follows:
 - a. Connect disc pressure hose (A) with coupler (B) and torque to 205–226 Nm (151–167 lbf-ft).
 - b. Connect disc return hose (C) with coupler (D) and torque to 205–226 Nm (151–167 lbf-ft).
 - c. Connect case drain hose (E) to fitting (F), with relief valve pointing towards the ground.

NOTE:

If required, loosen fitting (F) and retighten as needed to ensure relief valve is pointing straight down as shown.

9. To connect electrical harness, refer to Steps [18, page 34](#) to [21, page 35](#).

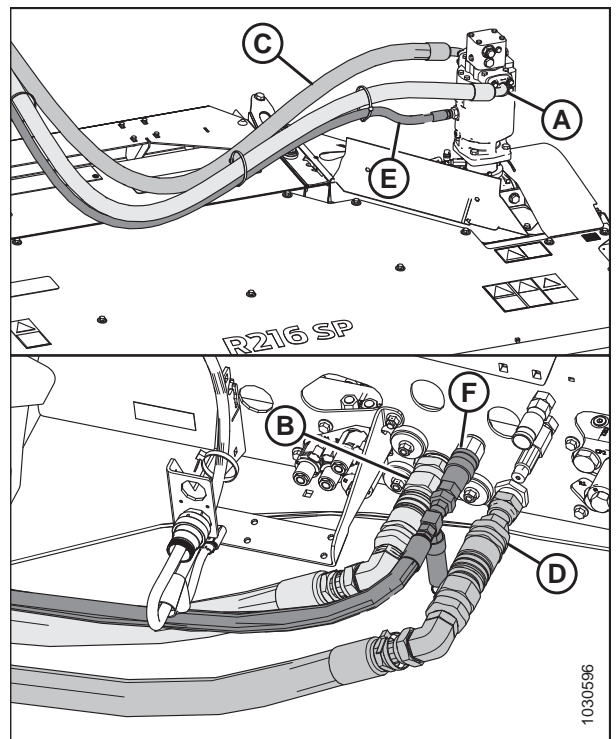


Figure 3.28: Hydraulics and Electrical – Draper Ready

OPERATION

Hard plumbed fittings – rotary disc ready configuration:

10. Connect the hydraulic hoses to the windrower with hard plumbed fittings as follows:
 - a. Connect disc pressure hose (A) marked with a red cable tie (B) to hard plumb fitting marked with a red cable tie (C) and torque to 205–226 Nm (151–167 lbf-ft).
 - b. Connect disc return hose (D) to hard plumb fitting (E) and torque to 205–226 Nm (151–167 lbf-ft).
 - c. Connect case drain hose (F) to fitting (G).
11. To connect electrical harness, refer to Steps [18, page 34](#) to [21, page 35](#).

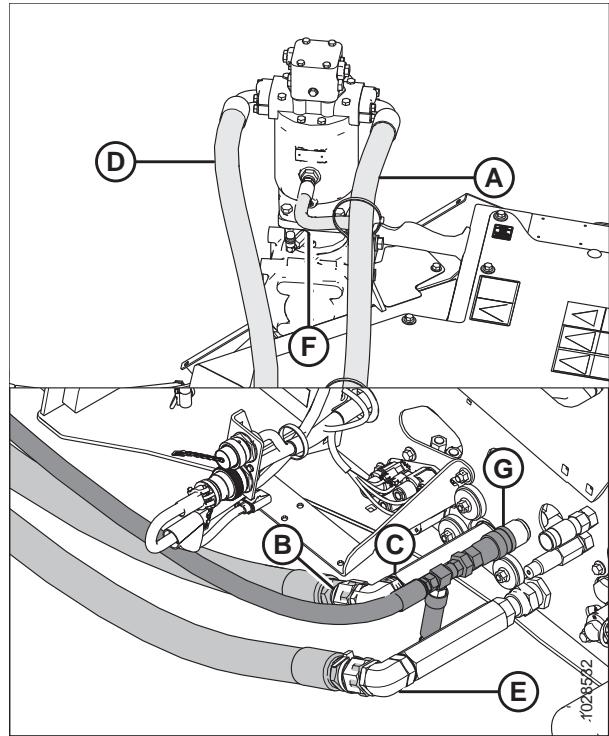


Figure 3.29: Hard Plumbed Connections on R216 SP Ready Windrower

Quick coupler fittings – rotary disc ready configuration:

12. Connect hydraulic fittings to the hydraulic hoses as follows:
 - a. Attach 90° elbow fitting (A) and 1 in. female coupler fitting (B) to disc pressure hose (C).
 - b. Attach 90° elbow fitting (A) and 1 in. male coupler fitting (D) to disc return hose (E).

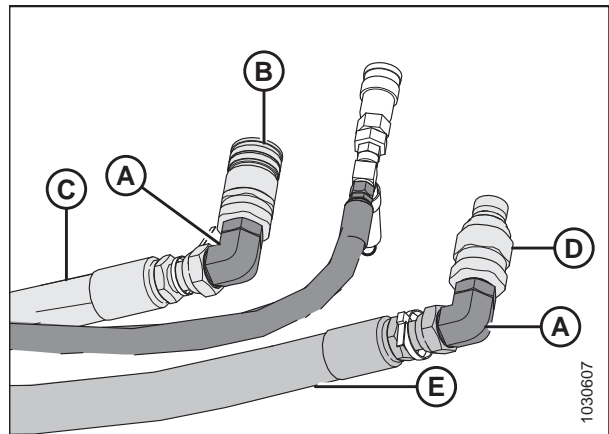


Figure 3.30: Hydraulic Fittings

OPERATION

13. Remove the extension fittings and elbows (A) from the rotary disc header hydraulic pressure and return connections.

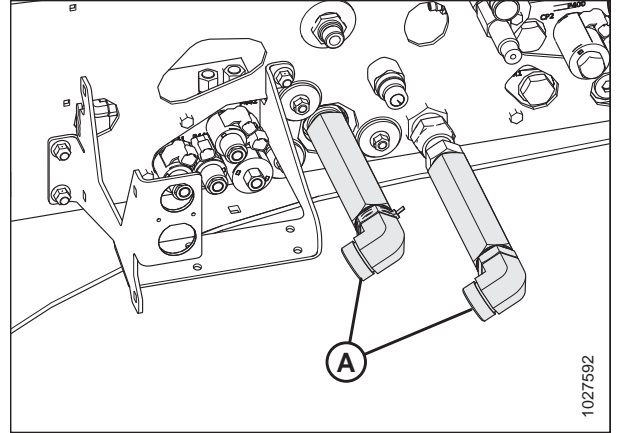


Figure 3.31: Hard Plumbed Connections – Rotary Disc Ready Windrower

14. Install the male quick coupler at windrower pressure receptacle (A).
15. Install the female quick coupler with adapter at windrower return receptacle (B).

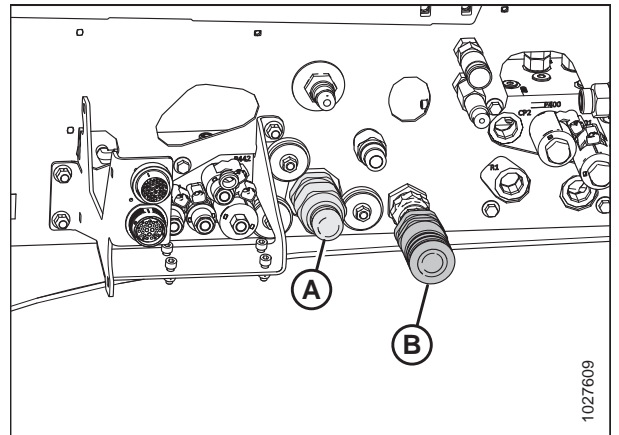


Figure 3.32: Quick Couplers on Rotary Disc Ready Windrower

OPERATION

16. Connect the hydraulic hoses to the windrower with quick coupler fittings as follows:
 - a. Connect disc pressure hose (A) with coupler (B) and torque to 205–226 Nm (151–167 lbf·ft).
 - b. Connect disc return hose (C) with coupler (D) and torque to 205–226 Nm (151–167 lbf·ft).
 - c. Connect case drain hose (E) to fitting (F), with relief valve pointing towards the ground.

NOTE:

If required, loosen fitting (F) and retighten as needed to ensure relief valve is pointing straight down as shown.

17. To connect electrical harness, refer to Steps [18, page 34](#) to [21, page 35](#).

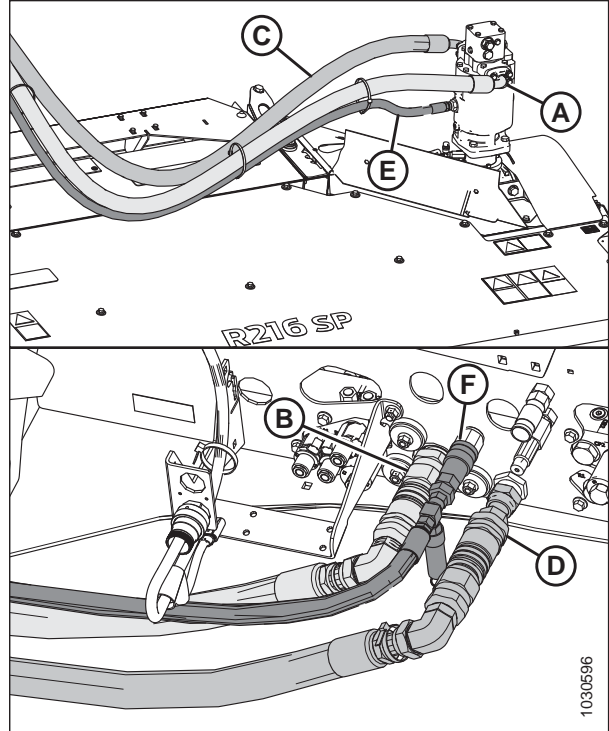


Figure 3.33: Hydraulic Connections

To connect electrical harness, follow these steps:

18. Free electrical harness (A) from adjustable strap (B).

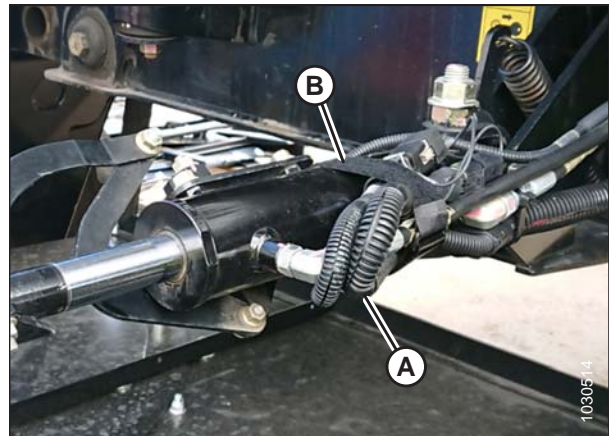


Figure 3.34: Electrical Harness Secured to Center-Link

OPERATION

19. Connect main header harness (A) to adapter harness (B).
20. Connect electric baffle control harness (C) to adapter harness (D) if installed.

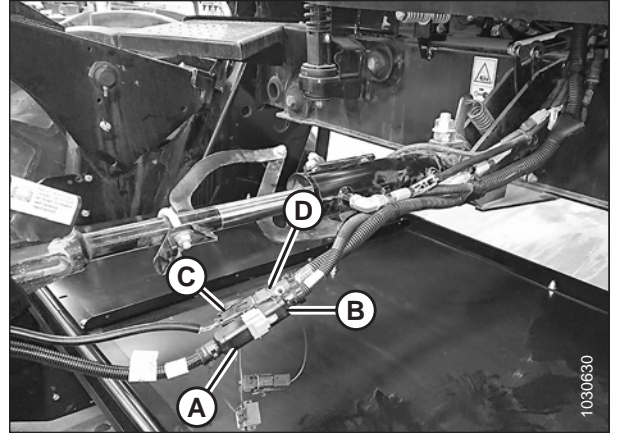


Figure 3.35: Electrical Harness Connection at Center-Link

21. Check electrical connection (A) at the windrower.

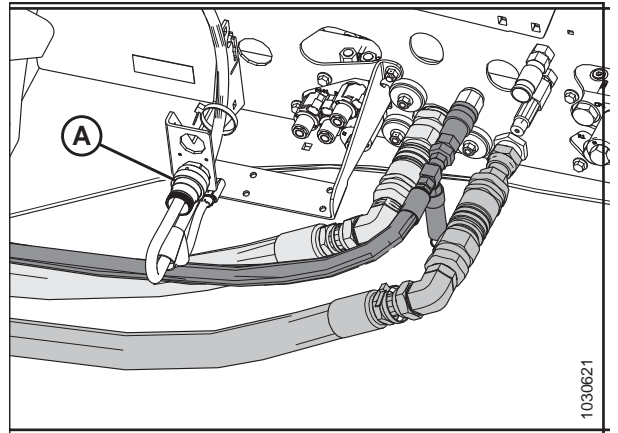


Figure 3.36: Electrical Connection at Windrower

22. Close the windrower's left platform. For instructions, refer to the windrower operator's manual.

3.4 Detaching Header from Windrower

3.4.1 Detaching R216 Rotary Disc Header from M1240 Windrower

⚠ WARNING

To avoid bodily injury or death from unexpected startup of the machine, always stop the engine and remove the key from the ignition before leaving the operator's seat for any reason.

⚠ CAUTION

Check to be sure all bystanders have cleared the area.

1. Start the engine, and press switch (A) to lower the header to the ground.
2. Shut down the engine, and remove the key from the ignition.
3. Open the left platform. For instructions, refer to the windrower operator's manual.



Figure 3.37: GSL

4. Disconnect hydraulic hoses (A), (B), and (C) from the windrower.
5. Install caps and plugs on open lines to prevent buildup of dirt and debris while in storage.

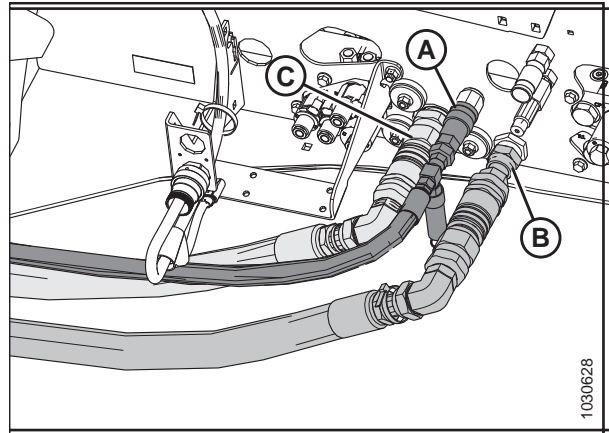


Figure 3.38: Header Drive Hydraulics

OPERATION

6. Remove hose support (A) and hose bundle from windrower frame.

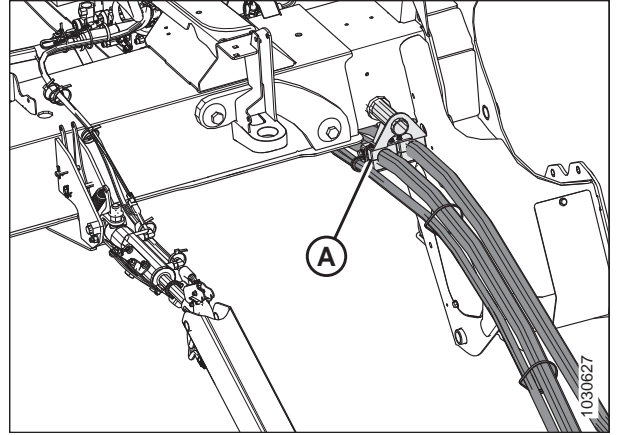


Figure 3.39: Hoses on Windrower

7. Rest hydraulic hose bundle (A) on header for storage as shown.

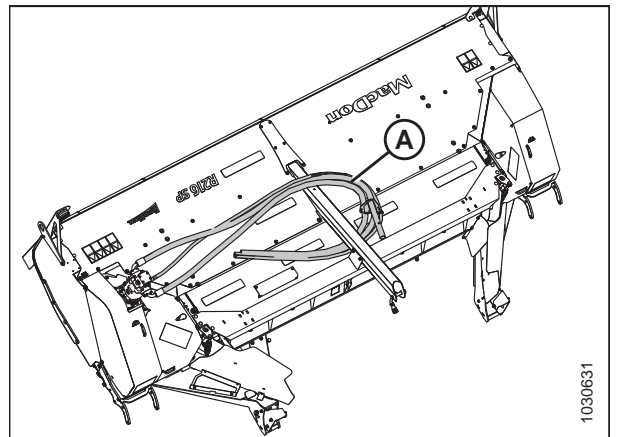


Figure 3.40: Hose Bundle Storage Position

8. Disconnect main header harness (A) from adapter harness (B).
9. Disconnect electric baffle control harness (C) from adapter harness (D) if installed.

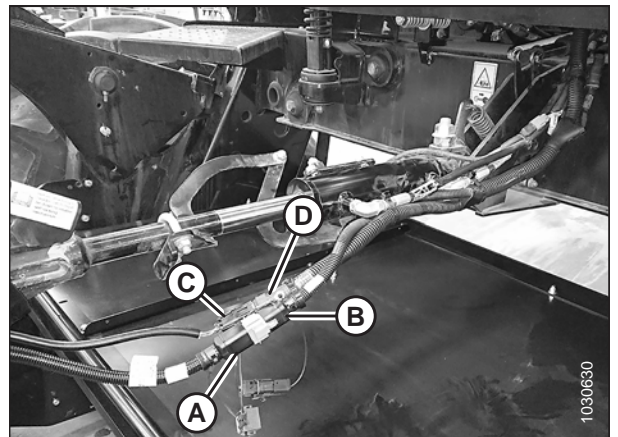


Figure 3.41: Electrical Connection

OPERATION

- Secure adapter harness (A) on the center link with an adjustable strap (B).

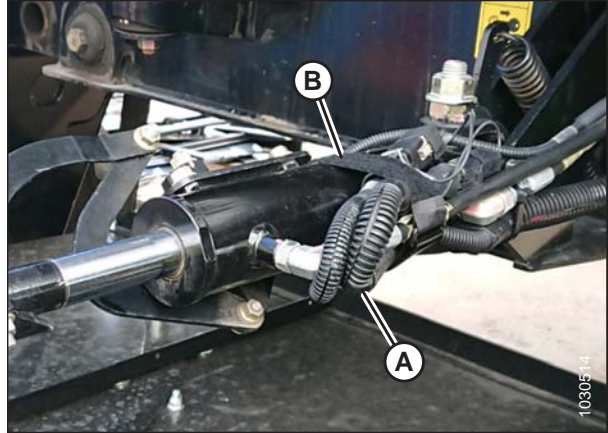


Figure 3.42: Adapter Harness

- Remove hairpin (B) from clevis pin (A). Remove clevis pin from header support (C) on both sides of header.

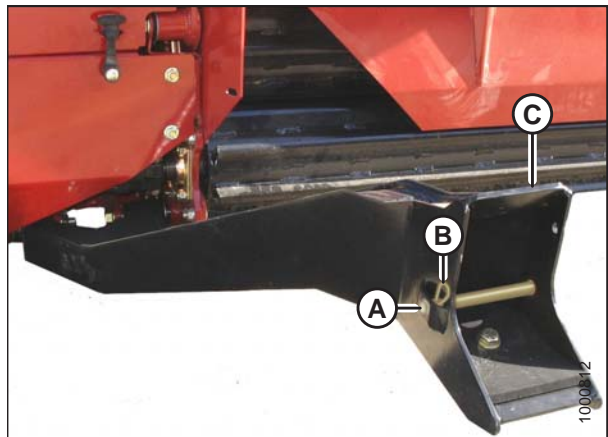


Figure 3.43: Header Supports

Windrowers with center-link self-alignment kit only:

- Release center-link latch (A) before returning to the cab.

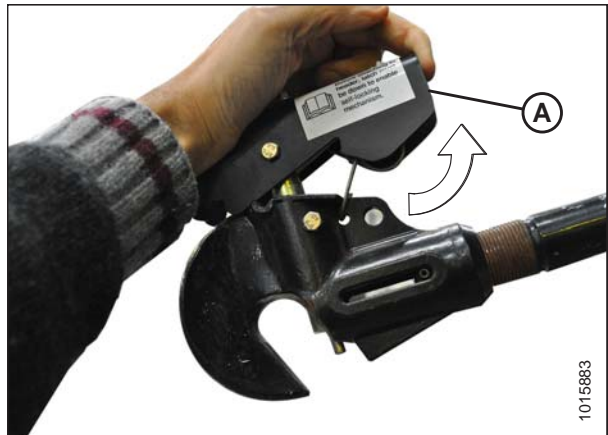


Figure 3.44: Center-Link

CAUTION

Check to be sure all bystanders have cleared the area.

13. Start the engine.
14. Remove header float when prompted by the Harvest Performance Tracker (HPT).

NOTE:

If not prompted by the HPT to remove float, remove float manually.

Self-aligning center-link (if installed):

15. Use HEADER TILT cylinder switches (A) on GSL to release load on center-link cylinder.
16. Operate the link lift cylinder with REEL UP switch (B) to disengage the center-link from the header.

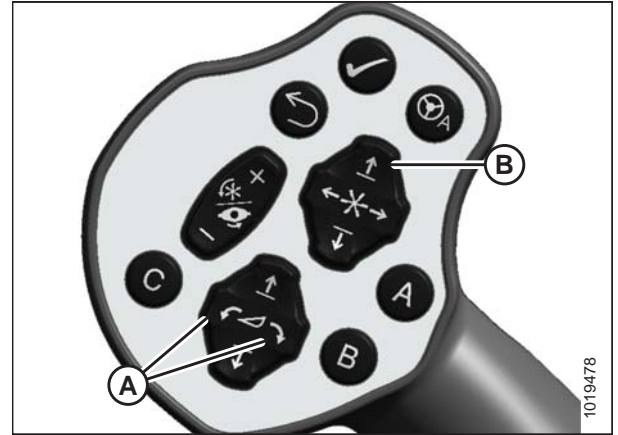


Figure 3.45: GSL

Non-self-aligning center-link:

17. Shut down the engine, and remove the key from the ignition.
18. Lift hook release (A) and lift hook (B) off header pin.

CAUTION

Check to be sure all bystanders have cleared the area.

19. Start the engine.

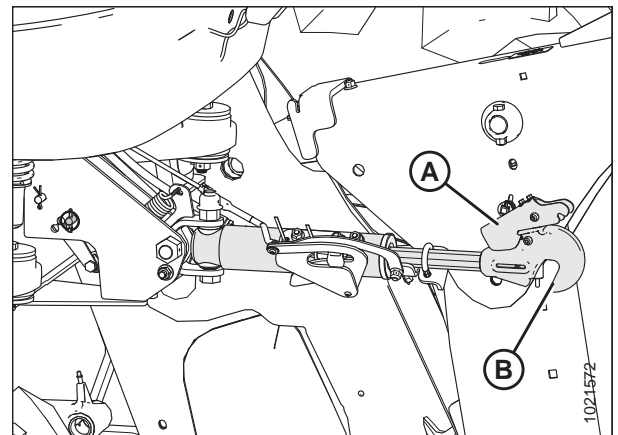


Figure 3.46: Hydraulic Center-Link

OPERATION

20. Back the windrower slowly away from header.
21. Reinstall clevis pin (A) through support (C) and secure with hairpin (B). Repeat for opposite side.

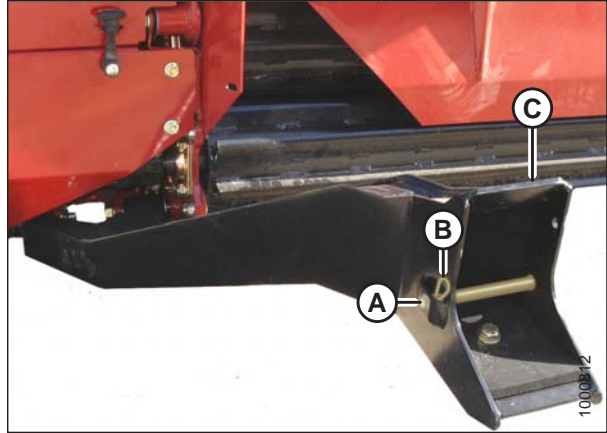


Figure 3.47: Header Support

3.4.2 Removing Forming Shield

WARNING

To avoid bodily injury or death from unexpected startup of the machine, always stop the engine and remove the key from the ignition before leaving the operator's seat for any reason.

1. Stop engine, and remove key from ignition.
2. Remove and retain hairpin (A) and washer (B) from straight pin (C).
3. Pull rubber strap (D) away from straight pin (C).
4. Lower rear end of endshield.
5. Reinstall washer (B) and hairpin (A) on straight pin (C) for storage.
6. Repeat Steps 2, page 40 to 5, page 40 at the opposite side.

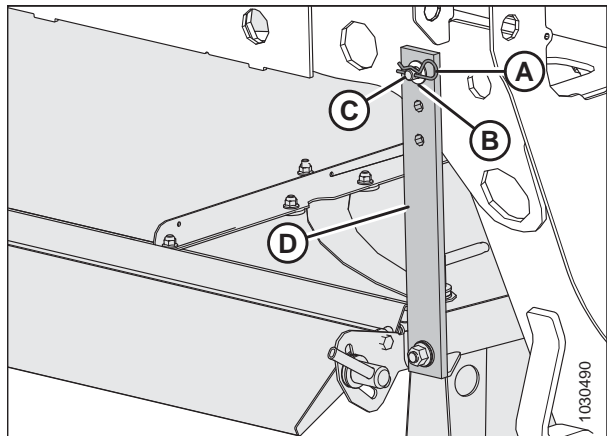


Figure 3.48: Rubber Strap Securing Forming Shield onto Windrower Leg

OPERATION

7. Remove lynch pin (A) and clevis pin (B) securing forming shield (C) to bolts and spacers (D). Repeat at the opposite side.

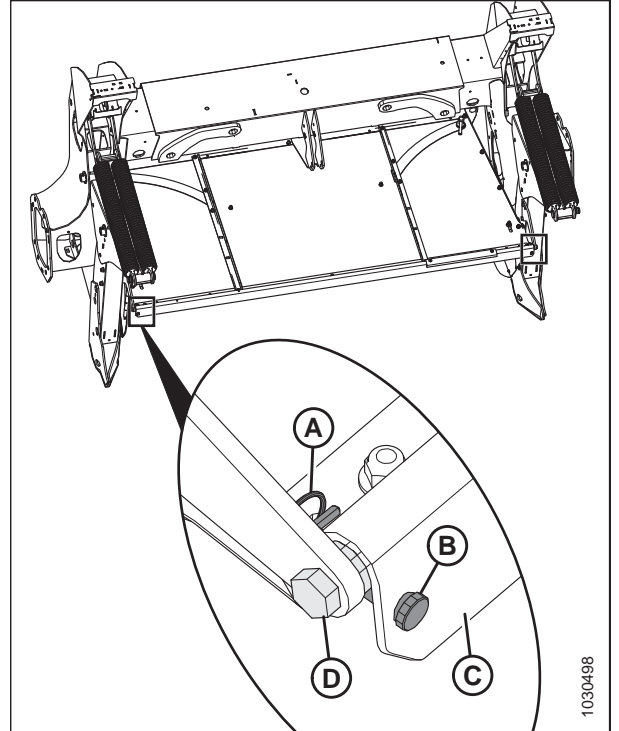


Figure 3.49: Forming Shield Secured to Front of Windrower Legs

8. Dismount forming shield (A) from bolts and spacers (B).
9. Reattach clevis pin and lynch pin to the forming shield for storage.
10. Remove forming shield.

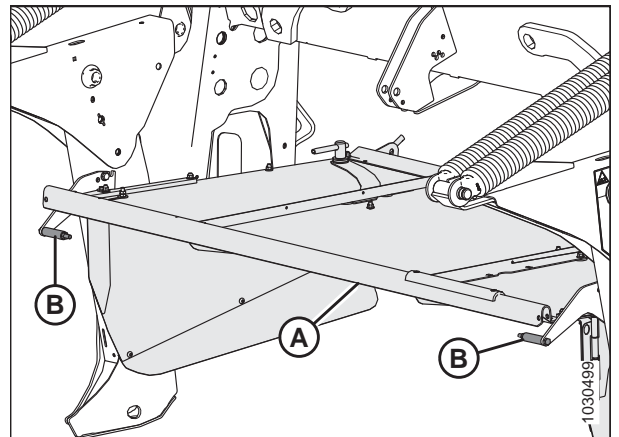


Figure 3.50: Forming Shield and Windrower

3.5 Driveshields

Driveshields protect drive components from damage and provide access to drive components for maintenance and servicing. Driveshields are located on the left and right ends of the header.

3.5.1 Opening Driveshields

CAUTION

To reduce the risk of personal injury, do NOT operate the machine without the driveshields in place and secured.

NOTE:

Images shown in this procedure are for the left driveshield—the right driveshield is similar.

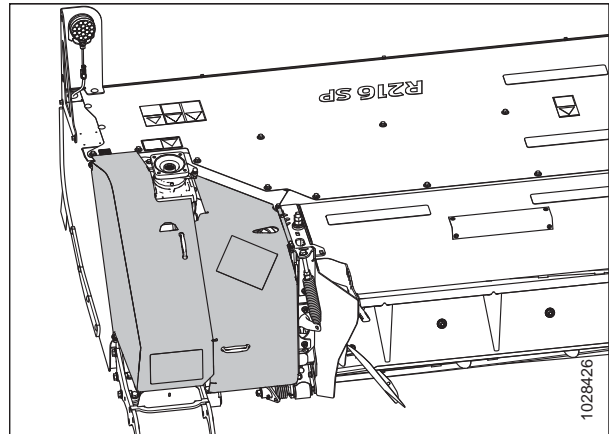


Figure 3.51: Left Driveshield

1. Push down on release lever (A) to disengage the release latch and pull handle (B).

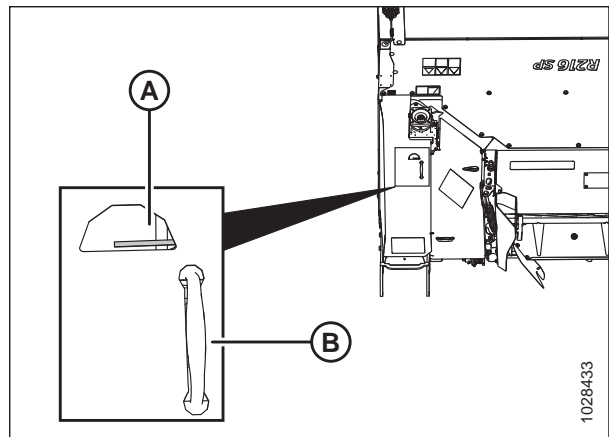


Figure 3.52: Driveshield Latch and Handle

OPERATION

2. Lift the outboard driveshield panel toward the outboard end of the header.

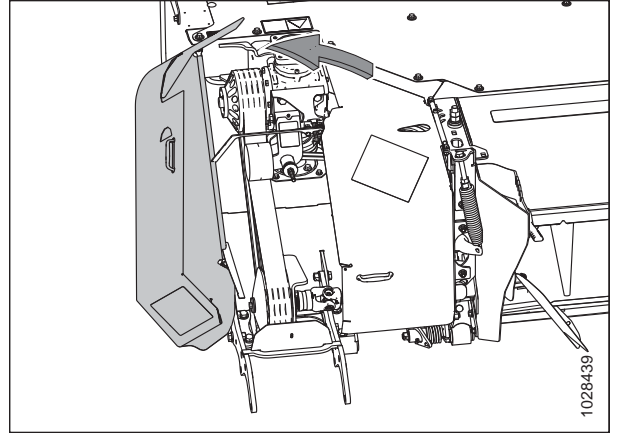


Figure 3.53: Opening Driveshield – Outboard Side

3. Grab handle (A) and lift the other half of endshield (B) to the inboard side of the header.

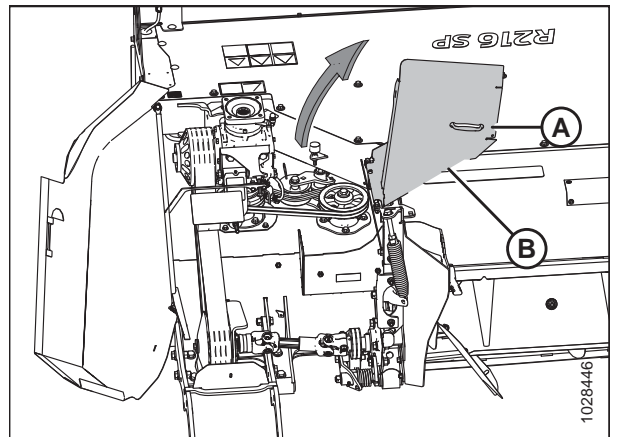


Figure 3.54: Driveshield – Inboard Side

3.5.2 Closing Driveshields

⚠ CAUTION

To reduce the risk of personal injury, do NOT operate the machine without the driveshields in place and secured.

NOTE:

Images shown in this procedure are for the left driveshield—the right driveshield is similar.

1. Lift lock latch (A) to disengage driveshield lock.

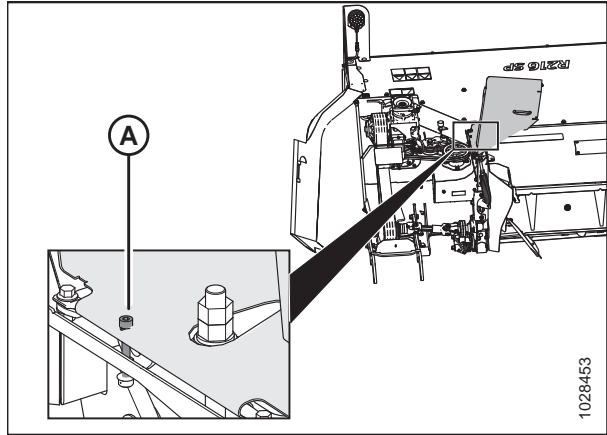


Figure 3.55: Driveshield Lock Latch

2. Move inboard half of driveshield (A) back to closed position.

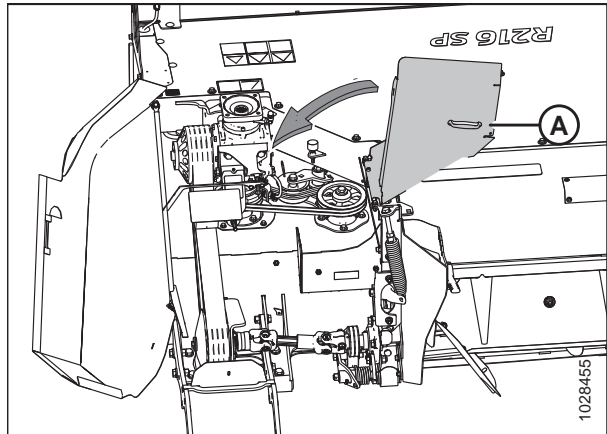


Figure 3.56: Left Driveshield

3. Move outboard half of driveshield (A) back to closed position.

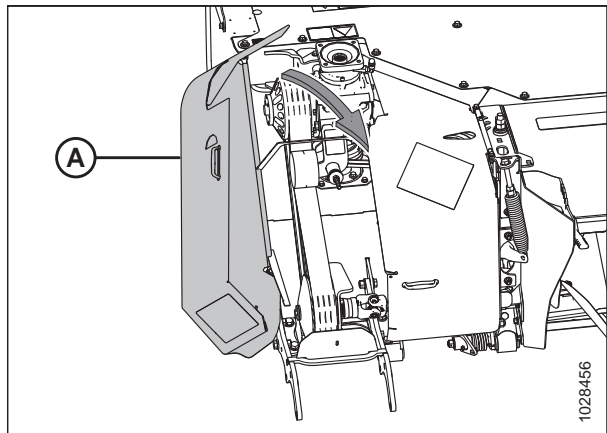


Figure 3.57: Left Driveshield

3.6 Cutterbar Curtain

WARNING

To reduce the risk of personal injury and machine damage, do NOT operate the machine without curtain installed and in good condition. Foreign objects can be ejected with considerable force when the machine is started.

NOTE:

Cutterbar curtain is attached at the front and the sides of the header. **ALWAYS** keep curtain lowered when operating the disc header.

IMPORTANT:

Replace curtain (A) if it becomes worn or damaged. For instructions, refer to [4.9.1 Inspecting Cutterbar Curtain, page 155](#).

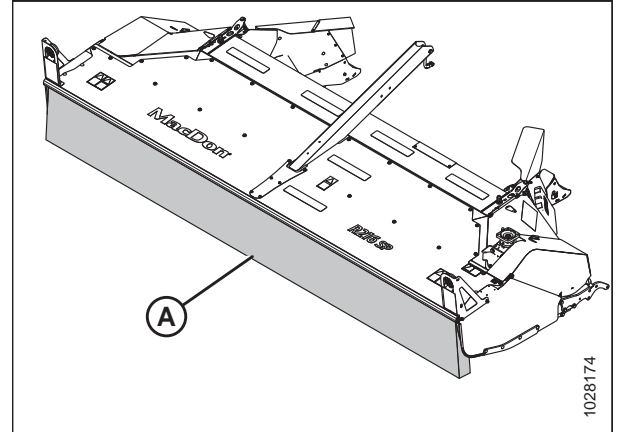


Figure 3.58: Cutterbar Curtains

3.6.1 Opening Cutterbar Curtain

WARNING

To avoid bodily injury or death from unexpected startup of the machine, always stop the engine and remove the key from the ignition before leaving the operator's seat for any reason.

1. Push curtain (A) inward and up.

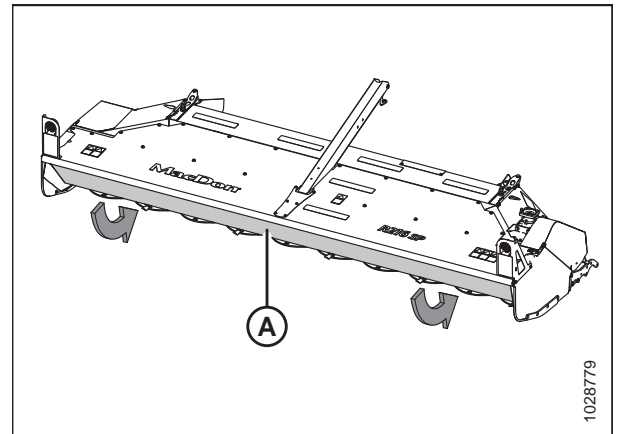


Figure 3.59: Cutterbar Curtain

OPERATION

- Secure curtain in place at locations (A) using three clips provided.

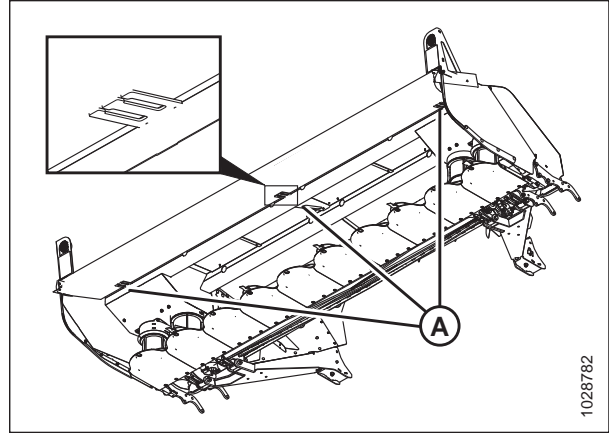


Figure 3.60: Cutterbar Curtains — View from Below

NOTE:

Cutterbar curtain (A) is held in place between the tines of retaining clips (B).

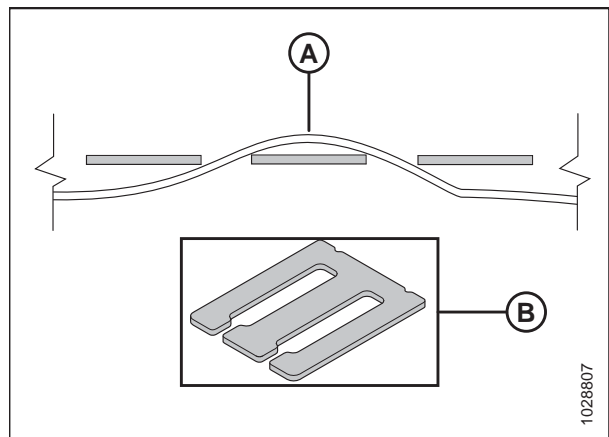


Figure 3.61: Cutterbar Curtain and Retaining Clips

3.6.2 Closing Cutterbar Curtain

CAUTION

To avoid injury, keep hands and fingers away from corners of doors when closing.

- Pull curtain outward from retaining clips and lower curtain.

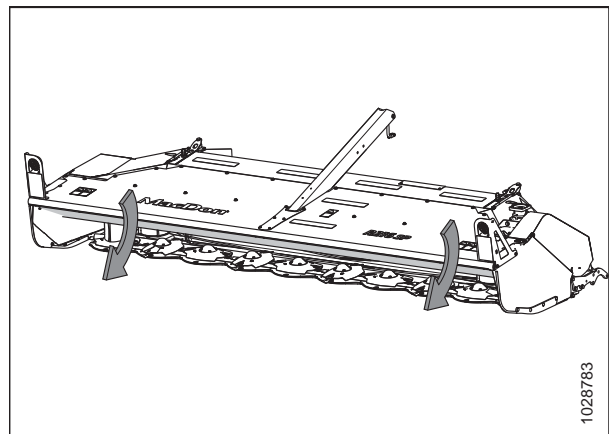


Figure 3.62: Cutterbar Curtain

3.7 Header Settings

Satisfactory operation of the disc header in all situations requires making proper adjustments to suit various crops and conditions.

Correct operation reduces crop loss and increases productivity. Proper adjustments and timely maintenance increases the length of service of the machine.

The variables listed in the following table and detailed in this manual, affect the performance of the disc header. Most of the adjustments have been set at the factory, but settings can be changed to suit your crop conditions.

Table 3.1 Header Operating Variables

Variable	Refer to
Cutting height	3.7.1 Cutting Height, page 47
Float	3.7.3 Header Float, page 52
Header angle	3.7.2 Adjusting Cutterbar Angle, page 52
Ground speed	3.7.4 Ground Speed, page 53
Crop Stream Configuration	4.6.9 Reconfiguring Cutterbar Crop Stream, page 146
Conditioner Settings	3.8 Conditioner, page 54

3.7.1 Cutting Height

Cutting height is determined by a combination of the cutterbar angle and the optional skid shoe or gauge roller settings. Adjust the cutting height for optimum cutting performance and to prevent build-up inside the disc header. Excessive build-up of mud and soil can lead to poor crop flow and increased wear on cutting components.

Optional adjustable gauge rollers and skid shoes are available to provide different cutting heights. For instructions, refer to:

- [Adjusting Skid Shoe Height, page 48](#)
- [Adjusting Gauge Roller Height, page 49](#)

Lowering the skid shoes (or gauge rollers) and decreasing the cutterbar angle increases the cutting height, resulting in higher stubble that helps material dry faster. This may be desirable in stony conditions to help reduce damage to cutting components.

Raising the skid shoes (or gauge rollers) and increasing also the cutterbar angle decreases the cutting height, resulting in a shorter stubble.

To choose a header angle that maximizes performance for your crop and field conditions, refer to [3.7.2 Adjusting Cutterbar Angle, page 52](#).

To minimize cutterbar damage, scooping soil, and soil build-up at the cutterbar in damp conditions, the float should be set as light as possible without causing excessive bouncing. For instructions, refer to [3.7.3 Header Float, page 52](#).

OPERATION

Adjusting Skid Shoe Height

Adjustable skid shoes are available to provide different cutting heights.

The adjustable skid shoes have three position settings: lowest working position (A), intermediate working position (B), and storage position (C).

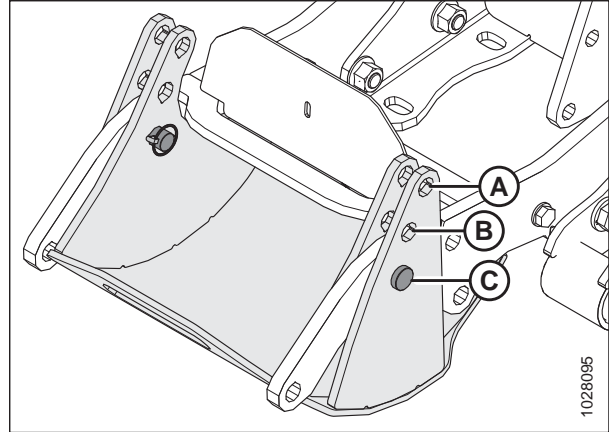


Figure 3.63: Skid Shoe Position Settings

To adjust skid shoe height, follow these steps:

DANGER

To avoid bodily injury or death from unexpected start-up or fall of a raised machine, stop engine, remove key, and engage windrower lift cylinder safety props before going under machine for any reason.

1. Raise the header fully, shut off the engine, and remove the key from the ignition.
2. Engage the lift cylinder safety props.
3. Remove the lynch pin and the clevis pin from both sides of the skid shoe.
4. Position the skid shoe in the preferred working position. This example shows the lowest working position. Align skid shoe holes (A) with mounting holes in bracket (B).

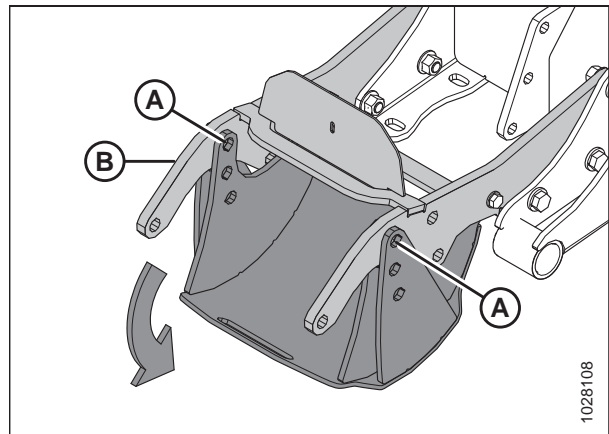


Figure 3.64: Positioning Skid Shoe

OPERATION

5. Replace the clevis pins and lynch pins (A) to secure the skid shoe in place.

IMPORTANT:

Install lynch pins (A) at the inboard side of the skid shoe.

6. Repeat the procedure on the second skid shoe. Ensure both skid shoes are set to the same position.
7. Adjust the cutterbar angle to the desired working position using the disc header angle controls. If the angle is not critical, set it to mid-position. For instructions, refer to [3.7.2 Adjusting Cutterbar Angle, page 52](#).
8. Check the header float. For instructions, refer to the windrower operator's manual.

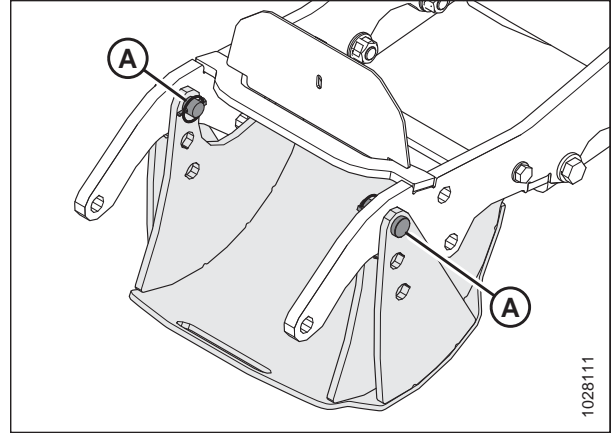


Figure 3.65: Skid Shoe in Lowest Working Position

Adjusting Gauge Roller Height

Optional adjustable gauge rollers are available to provide different cutting heights.

NOTE:

The left gauge roller is shown in the illustrations in this procedure. The right gauge roller is opposite.

The gauge roller has three position settings: lowest working position, intermediate working position, and storage position.

Lowest working position

To adjust the gauge rollers to the lowest working position, follow these steps:

DANGER

To avoid bodily injury or death from unexpected start-up or fall of a raised machine, stop engine, remove key, and engage windrower lift cylinder safety props before going under machine for any reason.

1. Raise the header fully, shut off the engine, and remove the key from the ignition.
2. Engage the lift cylinder safety props.
3. Remove two lynch pins (A) and clevis pins (B) from the gauge roller plate.
4. Remove scraper plate (C) and lynch pin (D).

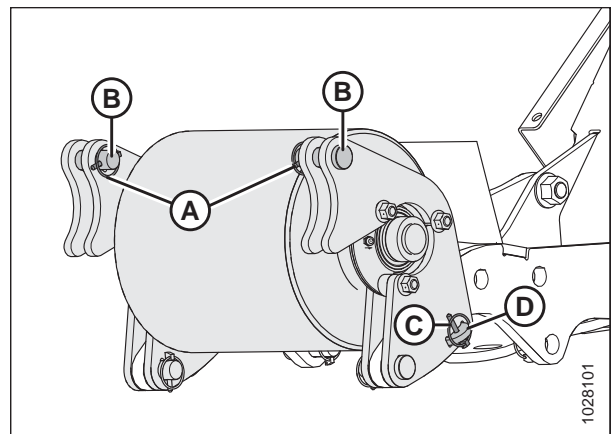


Figure 3.66: Gauge Roller

OPERATION

5. Swing the gauge roller forward and align the holes in the gauge roller plate to the bottom hole of the mounting plates.
6. Secure with clevis pins (A) and lynch pins (B).

IMPORTANT:

Lynch pins (B) should be installed at the inboard side of the gauge roller.

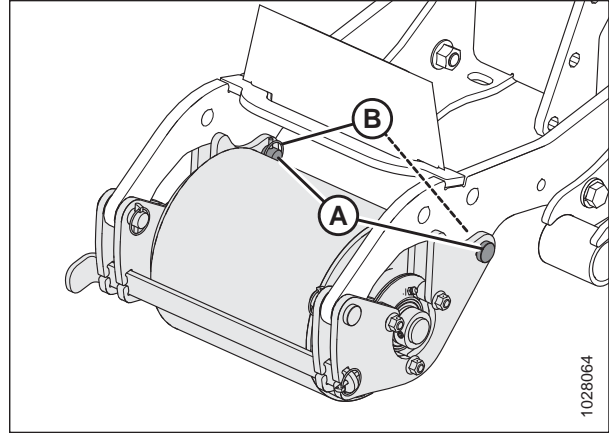


Figure 3.67: Gauge Roller Secured in Lowest Working Position

Intermediate working position

To adjust the gauge rollers to the intermediate position, follow these steps:

1. Support the gauge roller, and remove two lynch pins (B) and clevis pins (A).

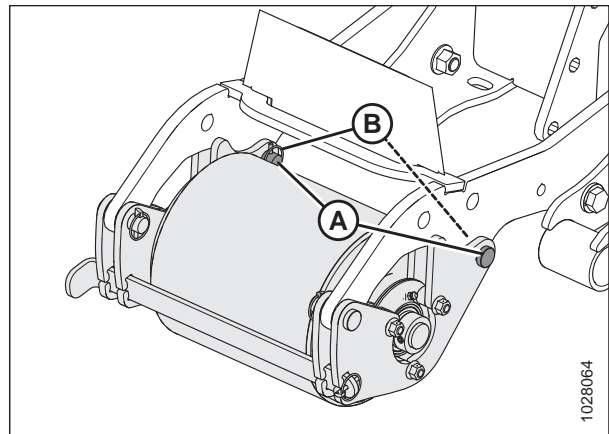


Figure 3.68: Gauge Roller Secured in Lowest Working Position

2. Swing the gauge roller upward and align the holes in the gauge roller plate to the top holes in the mounting plates.
3. Secure with clevis pins (A) and lynch pins (B).

IMPORTANT:

Lynch pins (B) should be installed at the inboard side of the gauge roller.

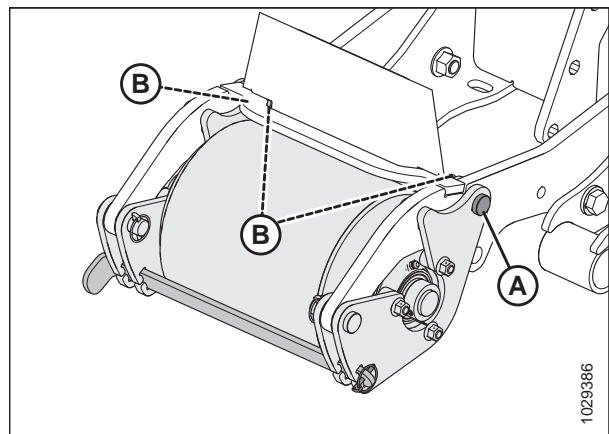


Figure 3.69: Gauge Roller Secured in Intermediate Working Position

OPERATION

Storage position

To adjust the gauge roller to the storage position, follow these steps:

1. Remove lynch pins (B) and clevis pins (A).
2. Remove lynch pin (C) and scraper plate (D).

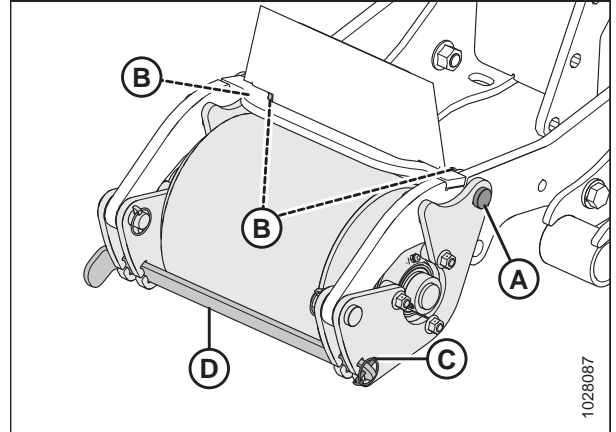


Figure 3.70: Gauge Roller Secured in Intermediate Working Position

3. Swing gauge roller (A) fully backward, and reinstall scraper plate (B) in slot.

IMPORTANT:

The scraper plate should be installed from the outboard side with its tab facing down as shown.

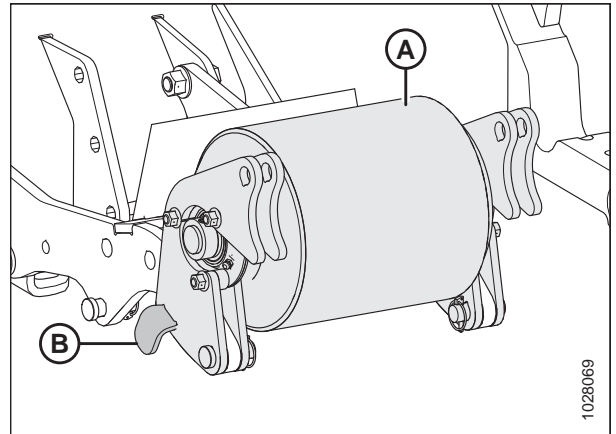


Figure 3.71: Gauge Roller Secured with Plate

4. Secure plate (A) with lynch pin (B) as shown.
5. Reinstall clevis pins (C) and lynch pins (D) for storage.

IMPORTANT:

Lynch pins (D) should be installed at the inboard side of the gauge roller.

6. Ensure both gauge rollers are in the same position.

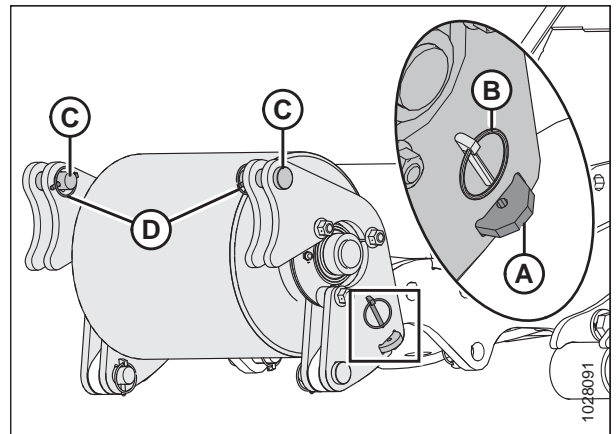


Figure 3.72: Gauge Roller in Storage Position

3.7.2 Adjusting Cutterbar Angle

Header angle (A) adjustment ranges from 0 to 8° below horizontal. Choose an angle that maximizes performance for your crop and field conditions. A flatter angle provides better clearance in stony conditions, while a steeper angle is required in downed crops for better lifting action.

Check the float after significantly adjusting the header angle because the adjustments affect the header float due to shifting the header center of gravity. Refer to your windrower operator's manual for instructions.

NOTE:

An angle of 3 to 5° on the HPT display is suitable for most conditions. At steep header angles (7 to 10°) the cut pattern of the discs will become apparent, leaving a variation in stubble height between discs.

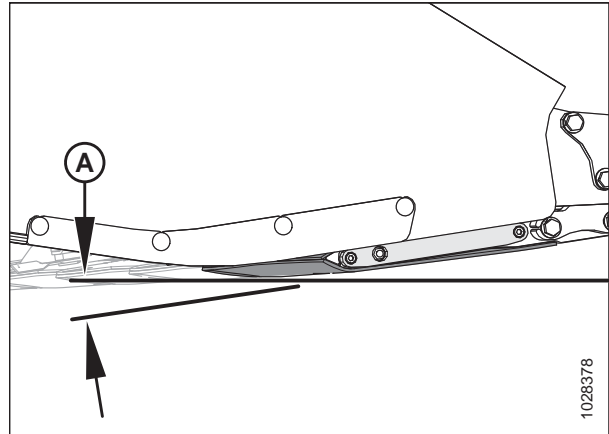


Figure 3.73: Cutterbar Angle

3.7.3 Header Float

The M1240 float is completely adjustable from the cab through the Harvest Performance Tracker (HPT).

The header float feature allows the header to closely follow ground contours and respond quickly to sudden changes or obstacles. The float setting is ideal when the cutterbar is on the ground with minimal bouncing, scooping, or pushing soil.

IMPORTANT:

- Set header float as light as possible—without excessive bouncing—to avoid frequent breakage of knife components, scooping soil, or soil build-up at the cutterbar in wet conditions.
- Avoid excessive bouncing (resulting in a ragged cut) by operating at a slower ground speed when the float setting is light.
- Install applicable header options (crop dividers, etc.) before setting header float.
- Adjust the float when adding or removing optional attachments that affect the weight of the header.
- Changing header angle affects the float. Check the float after making appropriate changes to header angle for crop type and conditions, field conditions, and speed settings.

For instructions on setting and adjusting the header float, refer to your windrower operator's manual.

3.7.4 Ground Speed

Choose a ground speed that allows the cutterbar to cut the crop smoothly and evenly. Try different combinations of disc speed and ground speed to suit your specific crop. Refer to your windrower operator’s manual for instructions on changing ground speed.

⚠ CAUTION

Reduce speed when turning, crossing slopes, or traveling over rough ground.

In tough cutting conditions (such as native grasses), set the disc speed to MAXIMUM.

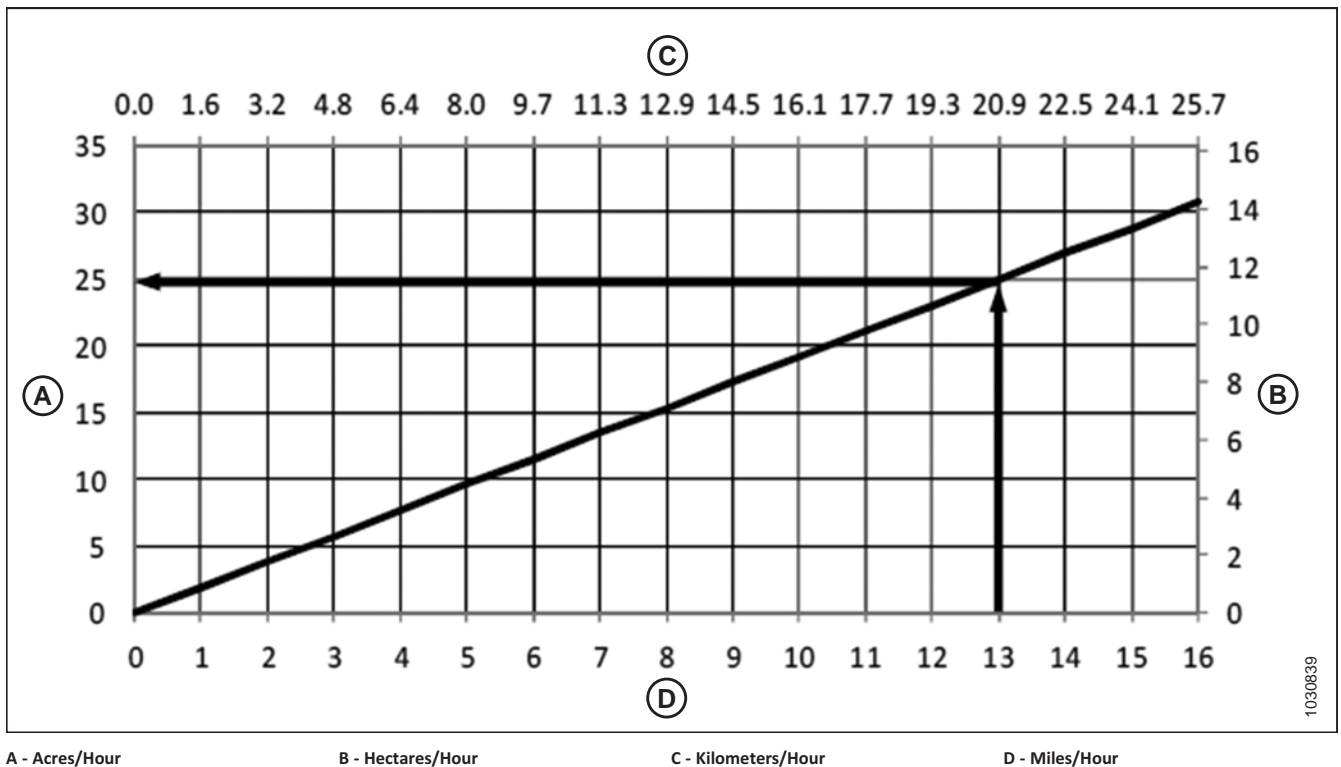
In light crops, reduce the disc header’s disc speed while maintaining ground speed.

NOTE:

Operating the disc header at the minimum disc speed will extend the wear life of cutting components.

The chart below indicates the relationship between ground speed and area cut.

Figure 3.74: Ground Speed for R216 Rotary Disc Headers



Example: At ground speed of 21 km/h (13 mph) the area cut would be approximately 25 acres (12 hectares) per hour.

3.8 Conditioner

Rolls condition the crop by crimping and crushing the stem in several places, which allows the release of moisture resulting in faster drying times. There are two roll conditioner options—steel conditioner rolls and polyurethane rolls.

3.8.1 Roll Gap

The roll gap controls the degree to which crop is conditioned as it passes through the rolls. Roll gap is factory-set at approximately 6 mm (1/4 in.) for steel rolls, and 3 mm (1/8 in.) for polyurethane rolls.

Steel rolls can be operated over a large range of roll gap settings (intermesh). Using a roll gap of (up to) 25 mm (1 in.), they are suited to a wide range of crops (including alfalfa and thicker-stemmed cane-type crops). However operating with too large of a gap may cause feeding problems.

Grass-type crops may require less gap for proper feeding and conditioning.

IMPORTANT:

If using settings below the factory setting, visually inspect the roll gap to ensure that there is no metal-to-metal contact between the upper and lower rolls.

Adjusting Roll Gap – Steel Rolls

To adjust the roll gap, follow the procedure below:

WARNING

To avoid bodily injury or death from unexpected startup of the machine, always stop the engine and remove the key from the ignition before leaving the operator's seat for any reason.

1. Lower the header fully.
2. Shut down the engine, and remove the key from the ignition.
3. Loosen jam nut (A) on both sides of the conditioner.
4. Turn lower nut (B) counterclockwise until the upper roll rests on the lower roll. Ensure the rolls intermesh.
5. Turn lower nut (B) clockwise to increase gap or counterclockwise to decrease gap.

NOTE:

Make further adjustments to roll gap based on header performance and crop conditions.

6. Hold nut (B) and tighten jam nut (A) on both sides of the disc header.

IMPORTANT:

Make sure the roll gap adjustment nuts are adjusted equally on both sides of the disc header to achieve a consistent gap across the rolls.

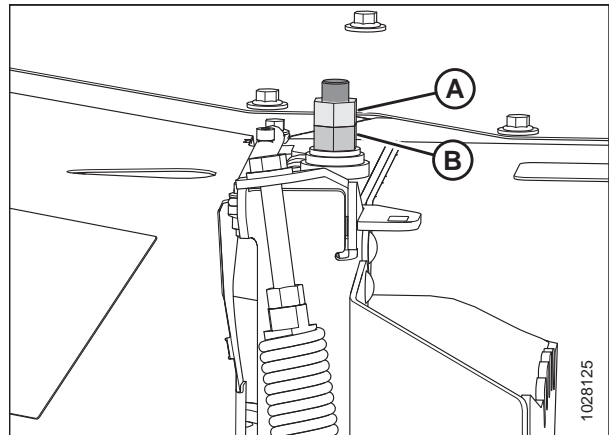


Figure 3.75: Roll Gap Adjustment

Adjusting Roll Gap – Polyurethane Rolls

To adjust the roll gap, follow the procedure below:

 **WARNING**

To avoid bodily injury or death from unexpected startup of the machine, always stop the engine and remove the key from the ignition before leaving the operator’s seat for any reason.

1. Lower the header fully.
2. Shut down the engine, and remove the key from the ignition.
3. Loosen jam nut (A) on both sides of the conditioner.
4. Turn lower nut (B) counterclockwise until the upper roll rests on the lower roll.
5. Turn lower nut (B) clockwise to increase gap or counterclockwise to decrease gap.

NOTE:

Make further adjustments to roll gap based on header performance and crop conditions.

6. Hold nut (B) and tighten jam nut (A) on both sides of the header.

IMPORTANT:

Make sure the roll gap adjustment nuts are adjusted equally on both sides of the header to achieve a consistent gap across the rolls.

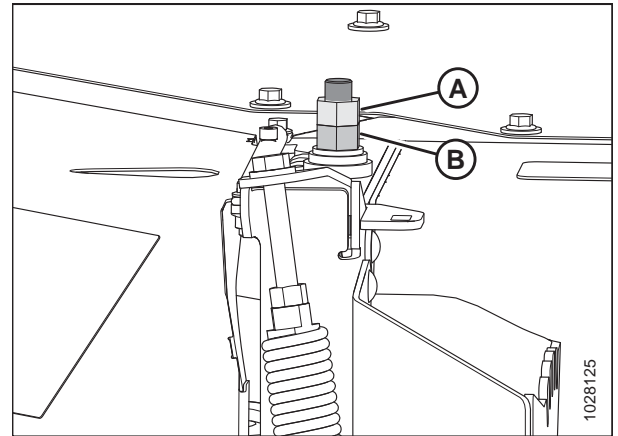


Figure 3.76: Roll Gap Adjustment – Left Side Shown

3.8.2 Roll Tension

Roll tension (the pressure holding the conditioner rolls together) is factory-set to maximum and should rarely require adjustment.

Heavy crops or tough forage can cause the rolls to separate; therefore, maximum roll tension is required to ensure that materials are sufficiently crimped.

Adjusting Roll Tension

To adjust roll tension, follow these steps:

WARNING

To avoid bodily injury or death from unexpected startup of the machine, always stop the engine and remove the key from the ignition before leaving the operator's seat for any reason.

1. Lower the header to the ground.
2. Shut down the engine, and remove the key from the ignition.
3. Loosen jam nut (A) on both sides of the conditioner.
4. Adjust spring drawbolt as follows:
 - Turn spring drawbolt (B) clockwise to tighten spring and **INCREASE** the roll tension.
 - Turn spring drawbolt (B) counterclockwise to loosen spring and **DECREASE** the roll tension.

IMPORTANT:

Turn each bolt equally. Roll tension changes by approximately 32 N (7.2 lbf) with each turn of the drawbolt.

5. Measure the amount of exposed thread on spring drawbolt (A) at each end of the conditioner. Measurement (B) should be 12–15 mm (1/2–9/16 in.).
6. Tighten jam nut (C) on both sides of the conditioner.

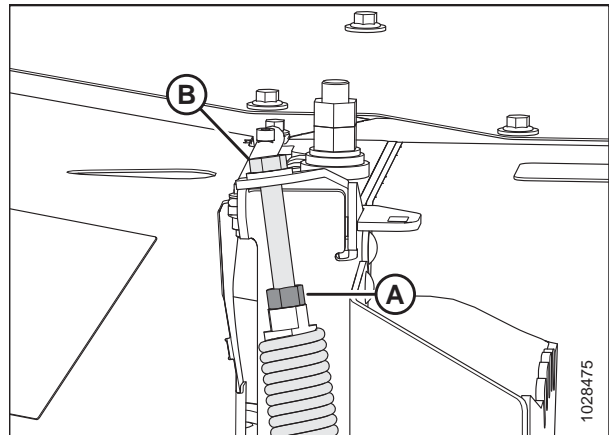


Figure 3.77: Roll Tension Adjuster

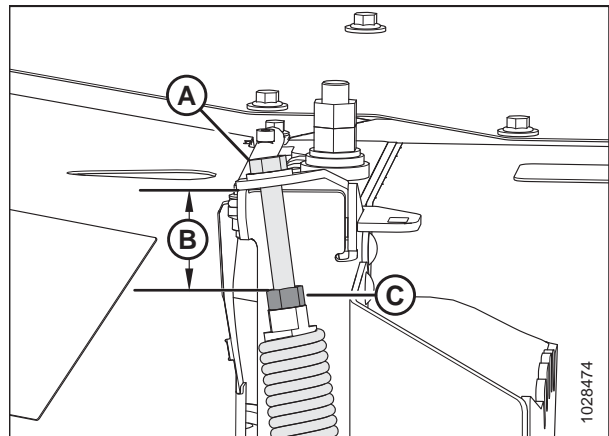


Figure 3.78: Roll Tension Adjuster

3.8.3 Roll Timing

For proper conditioning, the rolls must be properly timed with the bar on one roll centered between two bars on the other roll. The factory setting should be suitable for most crop conditions.

IMPORTANT:

Roll timing is critical when the roll gap is decreased because conditioning is affected and the bars may contact each other.

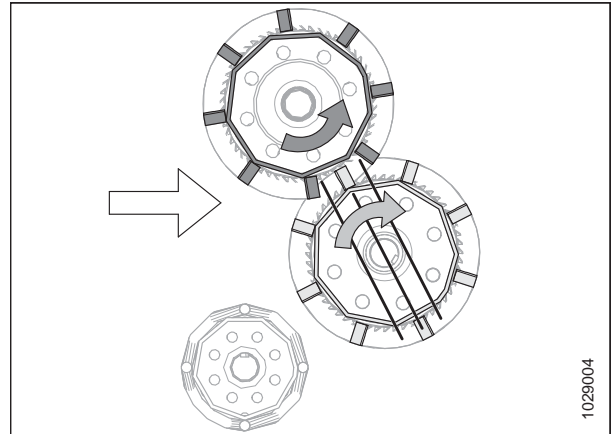


Figure 3.79: Properly Timed Rolls

Checking Roll Timing

Check roll timing if excessive noise is coming from the conditioner rolls.

! DANGER

To avoid bodily injury or death from unexpected startup of the machine, always stop the engine and remove the key from the ignition before leaving the operator's seat for any reason.

Roll timing is factory-set and should not require adjustment; however, if there is excessive noise coming from the conditioner rolls, the timing may need to be adjusted. For instructions, refer to [Adjusting Roll Timing, page 57](#).

Adjusting Roll Timing

! WARNING

To avoid bodily injury or death from unexpected startup of the machine, always stop the engine and remove the key from the ignition before leaving the operator's seat for any reason.

1. Shut down the engine, and remove the key from the ignition.
2. On the right side of the header, engage lift release latch (A) and pull handle (B) to open outboard driveshield (C).
3. Lift at handle (D) to open inboard driveshield (E).

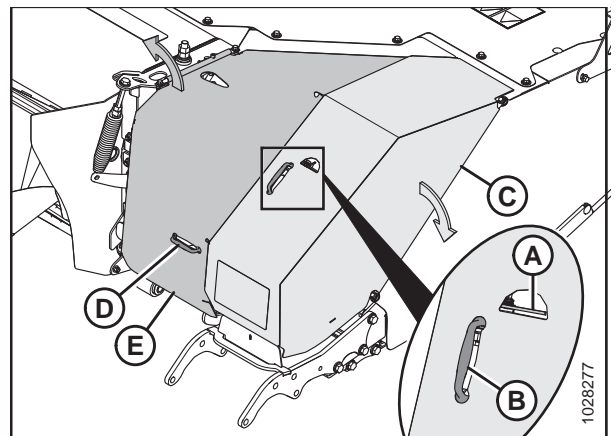


Figure 3.80: Right Driveshields

OPERATION

4. On the upper roll, loosen four bolts (A) securing yoke plate (B).

NOTE:

Only three of the four bolts are shown in the illustration.

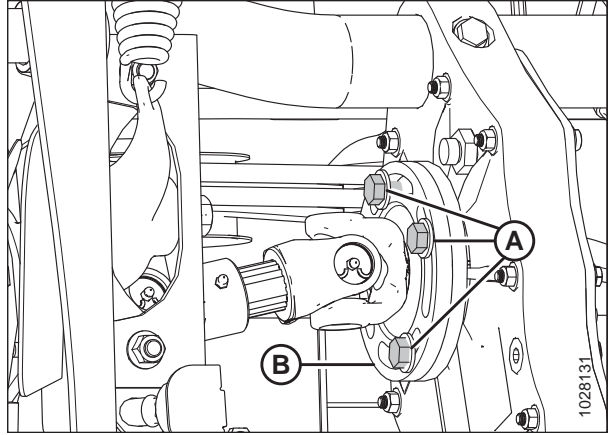


Figure 3.81: Conditioner Drive

5. Secure bottom roll (A).
6. Manually rotate upper roll (B) counterclockwise as shown until it stops rotating.
7. Make a mark (C) across yoke (D) and gearbox flange (E).

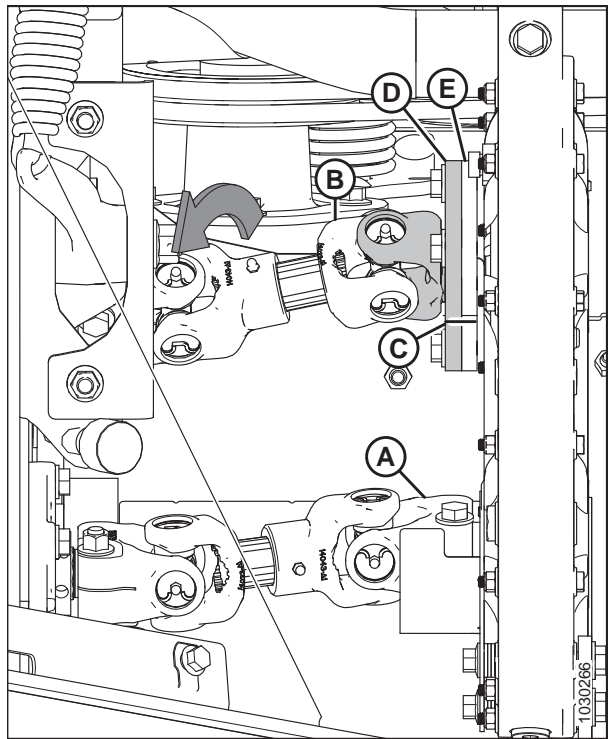


Figure 3.82: Conditioner Drive

OPERATION

8. Manually rotate upper roll (A) clockwise until it stops rotating. Make a second mark (B) on the yoke flange, and align it with the mark on the gearbox flange.

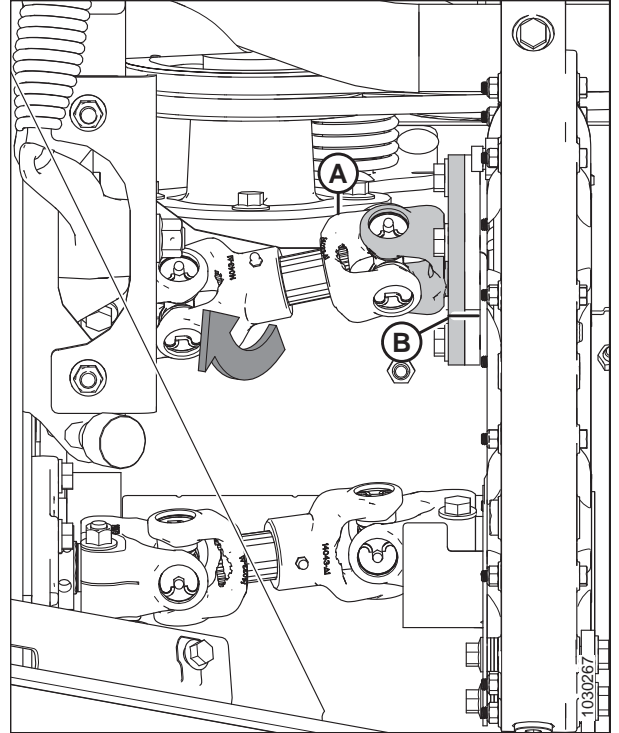


Figure 3.83: Conditioner Drive

9. Determine center point (A) between the two marks on the yoke plate, and place a third mark.
10. Rotate upper roll (B) counterclockwise, until the bolt lines up with the third (center) mark.

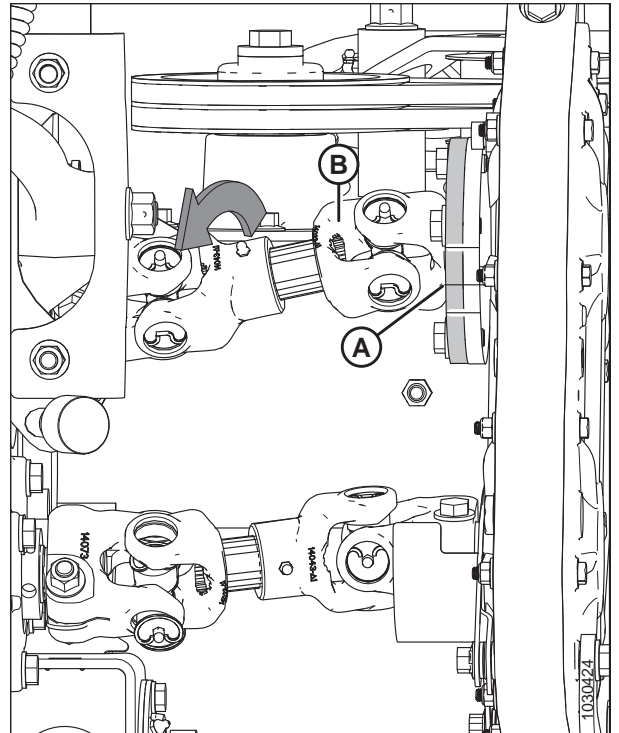


Figure 3.84: Conditioner Drive

OPERATION

11. Remove one of the four bolts (A), ensure threads are clean and free of lubricant.

NOTE:

Only three of the four bolts are shown in the illustration.

12. Apply medium-strength threadlocker (Loctite® 242 or equivalent) and tighten bolt (A). Torque to 95 Nm (70 lbf-ft).
13. Repeat Steps [11, page 60](#) to [12, page 60](#) for the other three bolts.
14. Close the right driveshields.

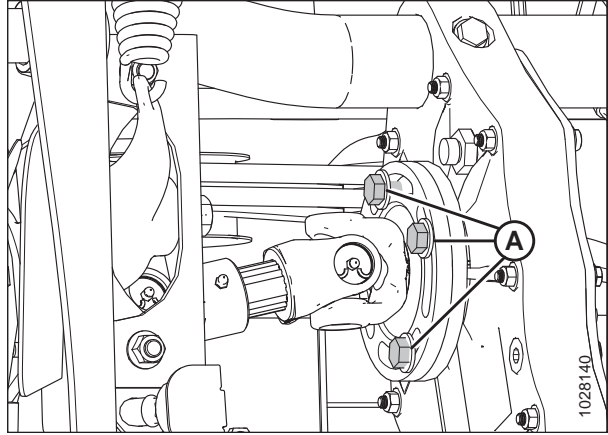


Figure 3.85: Conditioner Drive

3.8.4 Forming Shields – Roll Conditioner

WARNING

Keep everyone at a safe distance from your operation. Ensure bystanders are never in line with the front or rear of the machine. Stones or other foreign objects can be ejected from either end with force.

The forming shield position controls the width and placement of the windrow. Consider the following factors when setting the forming shield position:

- Weather conditions (rain, sun, humidity, and wind)
- Type and yield of crop
- Available drying time
- Method of processing (bales, silage, and green-feed)

A wider windrow will generally dry faster and more evenly, resulting in less protein loss. Fast drying is especially important in areas where the weather allows only a few days to cut and bale. A narrower windrow may be preferable for ease of pick-up and when drying is not critical (for example, when cutting for silage or green feed).

Positioning Forming Shield Side Deflectors – Roll Conditioner

The position of the side deflectors controls the width and placement of the windrow. To ensure windrow placement is centered between the carrier wheels, adjust the left and right deflectors to the same position.

WARNING

To avoid bodily injury or death from unexpected startup of the machine, always stop the engine and remove the key from the ignition before leaving the operator's seat for any reason.

1. Set forming shield side deflectors (A) to the desired width by repositioning adjuster handle (B). To ensure windrow placement is centered, adjust both side deflectors to the same position.

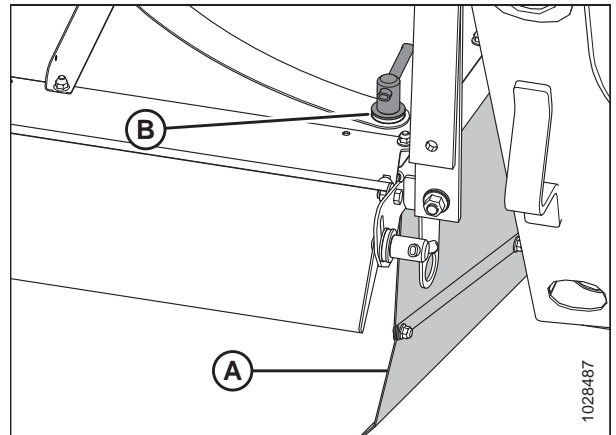


Figure 3.86: Forming Shield Side Deflector and Adjuster Handle

OPERATION

Positioning Rear Baffle – Roll Conditioner

NOTE:

This procedure is used to manually position the rear baffle on headers that are NOT equipped with the Electric Remote Baffle kit (MD #B6664).

The rear baffle is used in conjunction with the forming shields to affect the windrow width. It is located immediately behind and above the conditioning rolls and can be positioned to do the following:

- Direct crop flow into forming shield for narrow and moderate width windrows.
- Direct crop downward to form a wide swath.
- Provide even material distribution across windrow with adjustable fins under rear baffle. For instructions, refer to [Positioning Rear Baffle Deflector Fins, page 63](#).

To position the rear baffle, follow these steps:

WARNING

To avoid injury or death from unexpected start-up of machine, always stop the engine and remove the key from the ignition before leaving the operator's seat for any reason.

1. Remove lynch pin (A) securing rear baffle adjustment lever (B) to bracket (C).
2. Pull rear baffle adjustment lever (B) inboard to disengage from bracket (C).
3. Position rear baffle adjustment lever (B) as follows:
 - Move the lever forward to raise the baffle
 - Move the lever backward to lower the baffle
4. Release rear baffle adjustment lever (B) so that the tab engages the hole in bracket (C).
5. Secure baffle adjustment lever (B) with lynch pin (A).

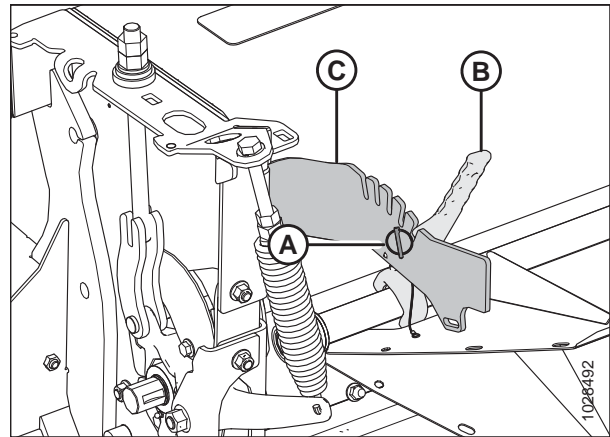


Figure 3.87: Left Side of Conditioner

NOTE:

An optional remote baffle adjustment kit (MD #B6664) is available for R216 SP. For more information, refer to [5.4 Electric Remote Baffle Kit – MD #B6664, page 174](#).

OPERATION

Positioning Rear Baffle Deflector Fins

Four rear baffle deflector fins are located under the baffle. Fins are factory-configured to approximately 60°. The rear baffle deflector fins help spread the crop in the windrow.

To adjust fins, follow these steps:

WARNING

To avoid injury or death from unexpected start-up of machine, always stop the engine and remove the key from the ignition before leaving the operator's seat for any reason.

1. Deflector fins (A) are located on the underside of the rear baffle.

NOTE:

There are two fins on the left and two fins on the right of the header.

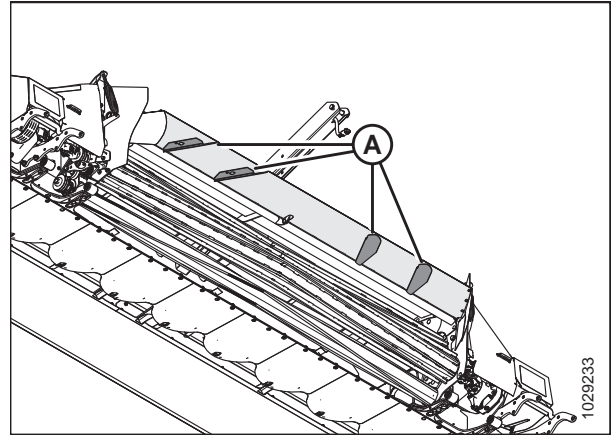


Figure 3.88: Deflector Fins Under Rear Baffle – View from Below

2. To adjust deflector fins (A), loosen existing bolt and nut (B). Once adjusted to the desired angle for windrow width, torque nut to 57.5 Nm (42 lbf·ft).
3. Repeat for the opposite deflector fins.

NOTE:

Fins may interfere with crop flow in large-stemmed crops, or when using the double windrower attachment. It may be necessary to remove fins in these conditions.

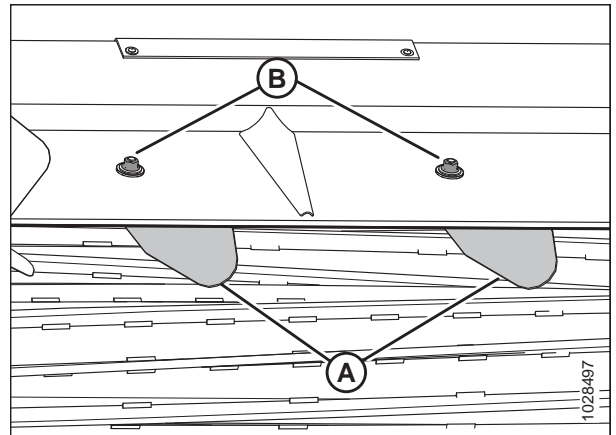


Figure 3.89: Left Deflector Fins in Field Position Under Baffle

OPERATION

NOTE:

Deflector fins (A) can be put in storage position by removing existing nut and bolt and reattaching fins on top of the baffle.

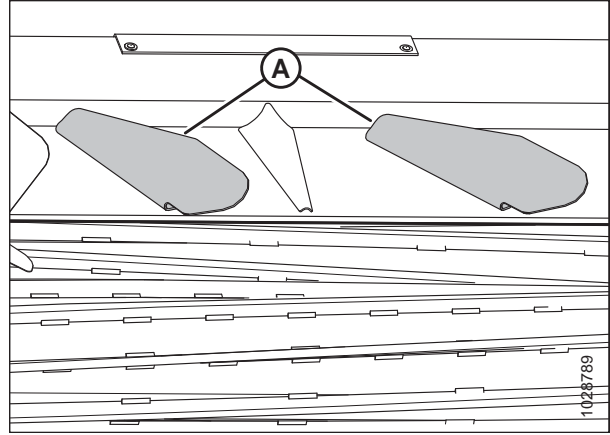


Figure 3.90: Left Deflector Fins in Storage Position

3.9 Cutterbar Deflectors

A two-piece cutterbar deflector kit (MD #B6847) is available for attaching to the cutterbar just below the header’s conditioner rolls. Deflectors provide improved feeding into the conditioner rolls and prevent heavy crop with long stems from feeding under the rolls.

Cutterbar deflectors may not be well-suited for some crop and field conditions. Refer to the following table:

Table 3.2 Conditions for Using Cutterbar Deflectors

Crop/Field Condition	Use Deflector
Average crop/normal field conditions	No
Long-stemmed and heavy/normal field conditions	Yes
Long-stemmed and heavy/sandy soil	No
Long-stemmed and heavy/gopher mounds or rocks (refer to the note below table)	No

NOTE:

Removing the deflector helps feed dirt/rocks through the header and prevents debris build up, wear and damage from rocks.

3.9.1 Removing Cutterbar Deflectors

⚠ DANGER

To avoid bodily injury or death from unexpected start-up or fall of a raised machine, always stop engine and remove key before leaving the operator’s seat, and always engage safety props before going under the machine for any reason.

1. Raise the header fully.
2. Shut down the engine, and remove the key from the ignition.
3. Engage the header safety props. For instructions, refer to [3.2.1 Engaging and Disengaging Header Safety Props – M1240 Windrower, page 20](#).
4. Locate deflectors (A) and (D) on the back of the cutterbar.
5. Clean debris from deflectors and deflector area.
6. Remove bolt (B) from the cutterbar on outboard end of deflector. Retain the hardware.
7. Remove three bolts (C) and nuts securing deflector (A) to the cutterbar. Remove deflector (A).
8. Reinstall removed bolts (B) and (C), and nuts on the deflector for storage.
9. Repeat above steps for the left deflector (D).
10. Store the deflectors in a safe place.
11. If the cutterbar is being replaced, install the deflectors on the new cutterbar. For instructions, refer to [3.9.2 Installing Cutterbar Deflectors, page 66](#).

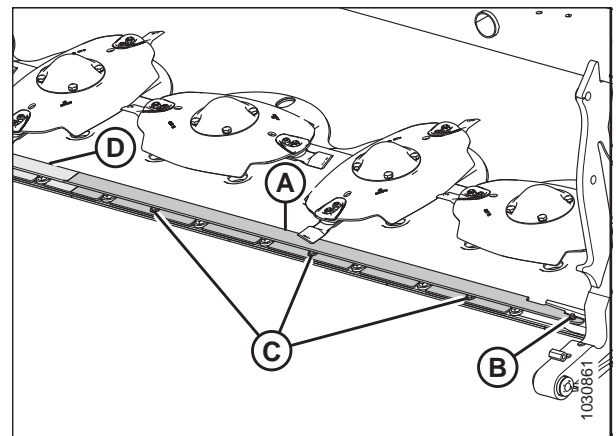


Figure 3.91: Right Deflector Plate – View from Rear

3.9.2 Installing Cutterbar Deflectors

The cutterbar deflectors are used with roll conditioners only.

DANGER

To avoid bodily injury or death from unexpected start-up or fall of a raised machine, always stop engine and remove key before leaving the operator's seat, and always engage safety props before going under the machine for any reason.

1. Raise the header fully.
2. Shut down the engine, and remove the key from the ignition.
3. Engage the header safety props. For instructions, refer to [3.2.1 Engaging and Disengaging Header Safety Props – M1240 Windrower, page 20](#).
4. Clean debris from ledge and the six mounting holes along aft edge of cutterbar.
5. Position left deflector (A) on the aft edge of the cutterbar, and align the slots in deflector plate (A) with the existing fasteners and cutterbar plug.

NOTE:

Some parts removed from illustration for clarity.

6. Apply medium-strength threadlocker (Loctite® 243 or equivalent) to M8 hex flange head bolt (B), and then loosely install at the outboard end of deflector plate (A).
7. Loosely secure deflector plate (A) to the cutterbar with three M10 carriage bolts and lock nuts (C). Insert the bolts into the cutterbar from the bottom.

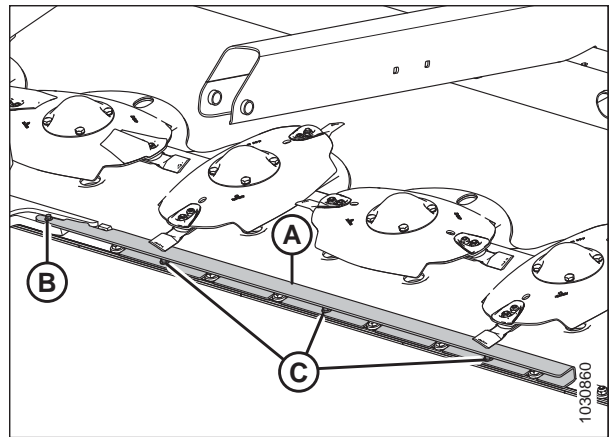


Figure 3.92: Left Deflector Plate Installed on Aft Edge of Cutterbar – View from Rear

8. Position right deflector (A) on right aft edge of the cutterbar, and loosely secure in place with three M10 carriage bolts and lock nuts (C) . Insert the bolts into the cutterbar from the bottom.

NOTE:

Some parts removed from illustration for clarity.

9. Apply medium-strength threadlocker (Loctite® 243 or equivalent) to M8 hex flange head bolt (B), and then loosely install at the outboard end of deflector plate (A).
10. Align right deflector plate (A) with left deflector plate (D).
11. Tighten all six nuts (three securing each deflector plate) to 39 Nm (29 lbf-ft).
12. Tighten the two M8 bolts (at the outboard ends of the deflector plates) to 29 Nm (21 lbf-ft).

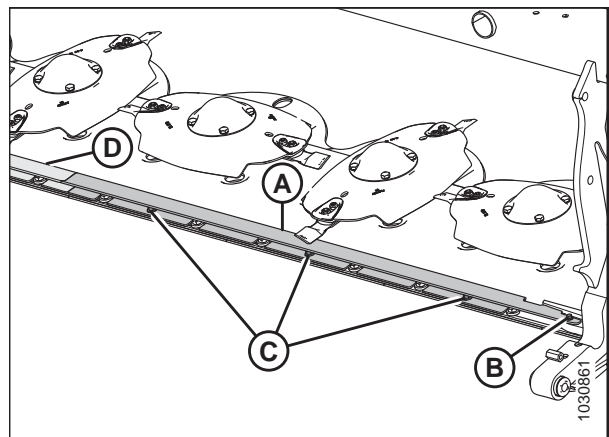


Figure 3.93: Right Deflector Plate Installed on Aft Edge of Cutterbar – View from Rear

3.10 Haying Tips

3.10.1 Curing

Curing crops quickly helps maintain the highest quality of crop material as 5% of protein is lost from hay for each day that it lays on the ground after cutting.

Leaving the windrow as wide and fluffy as possible results in the quickest curing. Cured hay should be baled as soon as possible.

3.10.2 Topsoil Moisture

Table 3.3 Topsoil Moisture Levels

Level	% Moisture	Condition
Wet	Over 45%	Soil is muddy
Damp	25–45%	Shows footprints
Dry	Under 25%	Surface is dusty

- On wet soil, the general rule of wide and thin does not apply. A narrower windrow will dry faster than hay left flat on wet ground.
- When the ground is wetter than the hay, moisture from the soil is absorbed by the hay above it. Determine topsoil moisture level before cutting. Use a moisture tester or estimate level.
- If ground is wet due to irrigation, wait until soil moisture drops below 45%.
- If ground is wet due to frequent rains, cut hay when weather allows and let the forage lie on wet ground until it dries to the moisture level of the ground.
- Cut hay will dry only to the moisture level of the ground beneath it, so consider moving the windrow to drier ground.

3.10.3 Weather and Topography

- Cut as much hay as possible by midday when drying conditions are best.
- Slopes that face the sun receive up to 100% more exposure to the sun's heat than slopes that do not face the sun. If hay is baled and chopped, consider baling sun-facing slopes and chopping slopes that do not.
- When relative humidity is high, the evaporation rate is low and hay dries slowly.
- Humid air is trapped around the windrow in calm conditions. Raking or tedding will expose the hay to fresher and drier air.
- Cut hay perpendicular to the direction of the prevailing winds if possible.

3.10.4 Windrow Characteristics

Producing windrows with the recommended characteristics will achieve the best results. Refer to [3 Operation, page 19](#) for instructions on adjusting the header.

Table 3.4 Recommended Windrow Characteristics

Characteristic	Advantage
High and fluffy	Enables airflow through windrow, which is more important to the curing process than direct sunlight
Consistent formation (not bunching)	Permits an even flow of material into the baler, chopper, etc.
Even distribution of material across windrow	Results in even and consistent bales to minimize handling and stacking problems
Properly conditioned	Prevents excessive leaf damage

3.10.5 Driving on Windrow

Driving on previously cut windrows that will not be raked can lengthen drying time by a full day. If practical, set forming shields to produce a narrower windrow that the machine can straddle.

NOTE:

Driving on the windrow in high-yield crops may be unavoidable if a full width windrow is necessary.

3.10.6 Using Chemical Drying Agents

Hay drying agents work by removing wax from legume surfaces and allowing moisture to escape cut crop and evaporate faster; however, treated hay lying on wet ground will absorb ground moisture faster.

Before deciding to use a drying agent, carefully compare the relative costs and benefits for your area.

3.11 Transporting the Header

For information on transporting the header when attached to the windrower, refer to your windrower operator's manual.

Chapter 4: Maintenance and Servicing

The following instructions provide information about routine servicing for the header. A parts catalog is located in a plastic case on the fixed deflector on the left side of the header.

Log hours of operation and use the maintenance record provided (refer to *4.4.1 Maintenance Schedule/Record, page 76*) to keep track of your scheduled maintenance.

4.1 Daily Start-Up Check

CAUTION

- Ensure the windrower and the header are properly attached, all controls are in neutral, and the windrower brakes are engaged.
- Clear the area of other persons, pets etc. Keep children away from machinery. Walk around to make sure no one is under, on, or close to it.
- Wear close-fitting clothing and protective shoes with slip resistant soles. As well, carry with you any protective clothing and personal safety devices that could be necessary throughout the day. Don't take chances.
- Remove foreign objects from the machine and surrounding area.

Protect yourself. You may need the following:

- A hard hat
- Protective footwear with slip-resistant soles
- Protective glasses or goggles
- Heavy gloves
- Wet weather gear
- A respirator or filter mask

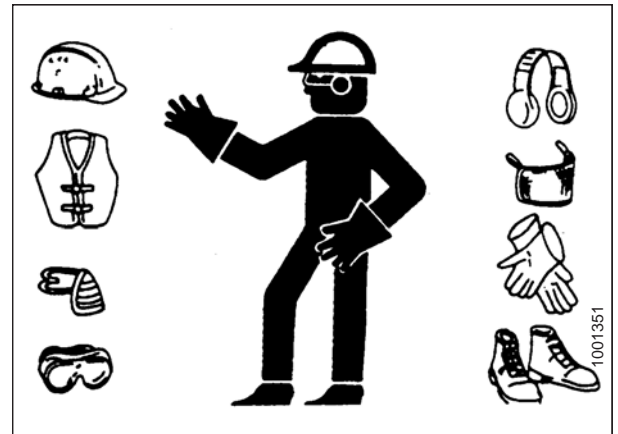


Figure 4.1: Safety Equipment

Use proper hearing protection:

Be aware that exposure to loud noise can cause impairment or loss of hearing. Wear suitable hearing protection such as earmuffs or earplugs to help protect against loud noises.



Figure 4.2: Safety Equipment

MAINTENANCE AND SERVICING

Perform the following checks each day before startup:

1. Check the machine for leaks or any parts that are missing, broken, or not working correctly.

NOTE:

Use proper procedure when searching for pressurized fluid leaks. Refer to [4.13.1 Checking Hydraulic Hoses and Lines, page 170](#).

2. Clean all lights and reflective surfaces on the machine, and check lights for proper operation.
3. Perform all daily maintenance. Refer to [4.4.1 Maintenance Schedule/Record, page 76](#).

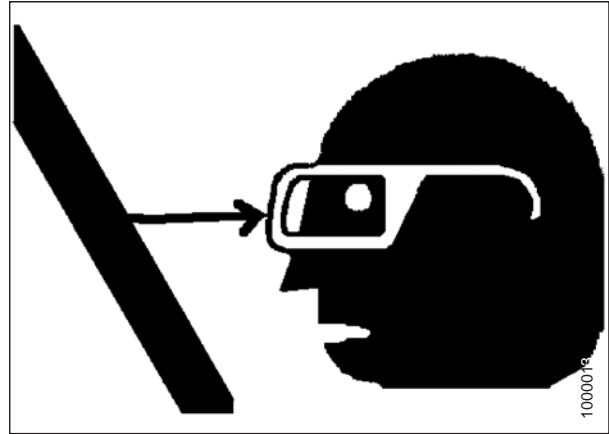


Figure 4.3: Safety around Equipment

4.2 Preparing Machine for Servicing

DANGER

To avoid bodily injury or death from unexpected start-up or fall of a raised machine, always stop engine and remove key before leaving the operator's seat, and always engage safety props before going under the machine for any reason.

CAUTION

To avoid personal injury, perform the following procedures before servicing disc header or opening drive covers:

1. Lower the header fully. If you need to perform service in the raised position, always engage safety props. For instructions, refer to [3.2.1 Engaging and Disengaging Header Safety Props – M1240 Windrower, page 20](#).
2. Put the ground speed lever (GSL) in PARK.
3. Stop the engine and remove the key from the ignition.
4. Wait for all moving parts to stop.

4.3 Recommended Safety Procedures

- Park on level surface when possible. Follow all recommendations in your windrower operator's manual.
- Wear close-fitting clothing and cover long hair. Never wear dangling items such as scarves or bracelets.



Figure 4.4: Safety Around Equipment

- Wear protective shoes with slip-resistant soles, a hard hat, protective glasses or goggles, and heavy gloves.

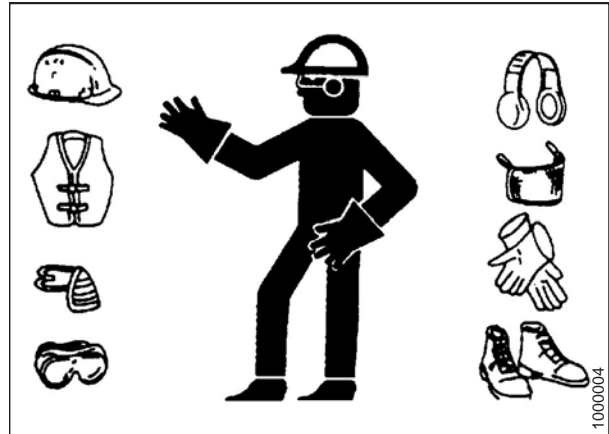


Figure 4.5: Safety Equipment

- Be aware that if more than one person is servicing the machine at the same time, rotating a driveline or other mechanically driven component by hand (for example, to access a lube fitting) will cause drive components in other areas (belts, pulleys, and discs) to move. Stay clear of driven components at all times.

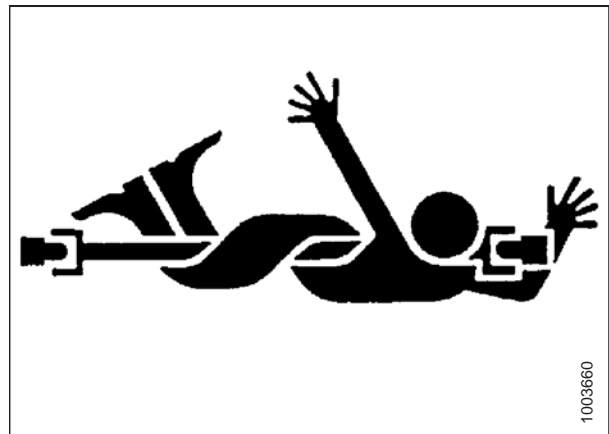


Figure 4.6: Safety Around Equipment

MAINTENANCE AND SERVICING

- Be prepared if an accident should occur. Know where the first aid kits and fire extinguishers are located, and know how to use them.

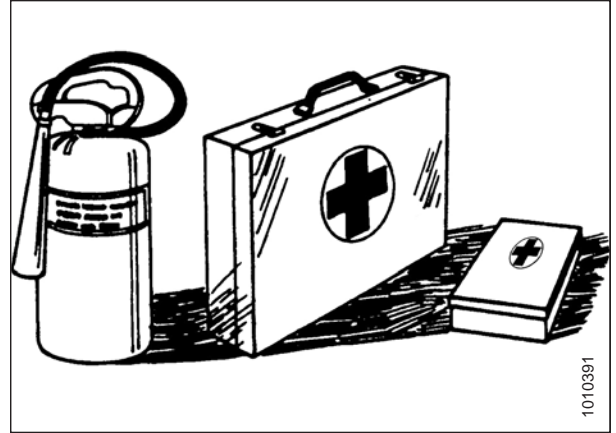


Figure 4.7: Safety Equipment

- Keep the service area clean and dry. Wet or oily floors are slippery. Wet spots can be dangerous when working with electrical equipment. Be sure all electrical outlets and tools are properly grounded.



Figure 4.8: Safety Around Equipment

- Use adequate light for the job at hand.
- Reinstall all shields removed or opened for service.
- Use only service and repair parts made or approved by the equipment manufacturer. Substituted parts may not meet strength, design, or safety requirements.
- Keep machinery clean. Never use gasoline, naphtha, or any volatile material for cleaning purposes. These materials may be toxic and/or flammable.

4.4 Maintenance Requirements

IMPORTANT:

Recommended intervals are for average conditions. Service the machine more often if operating under adverse conditions (severe dust, extra heavy loads, etc.).

Regular maintenance is the best insurance against early wear and untimely breakdowns. Following the maintenance schedule will increase your machine’s life. Periodic maintenance requirements are organized according to service intervals.

If more than one interval is specified for a service item (e.g., 100 hours or annually), service the machine at whichever interval is reached first.

When servicing the machine, refer to the specific headings in this section. Refer to this manual’s inside back cover and use only the specified fluids and lubricants.




Log hours of operation, use the maintenance record, and keep copies of your maintenance records. Refer to [4.4.1 Maintenance Schedule/Record, page 76](#).

 **CAUTION**

Carefully follow all safety messages. Refer to [4.3 Recommended Safety Procedures, page 74](#).

4.4.1 Maintenance Schedule/Record

Keep a record of maintenance as evidence of a properly maintained machine. Daily maintenance records are not required to meet normal warranty conditions.

	Hour meter reading																
	Service date																
	Serviced by																
First use	Refer to 4.4.2 Break-In Inspections, page 78 .																
End of season	Refer to 4.4.4 End-of-Season Servicing, page 79 .																
Action	✓ Check	◆ Lubricate					▲ Change										
First 10 hours then Daily																	
✓	Inspect cutterbar discs. Refer to Inspecting Cutterbar Discs, page 89 .																
✓	Inspect disc blades. Refer to Inspecting Disc Blades, page 102 .																
✓	Inspect accelerators. Refer to Inspecting Accelerators, page 108 .																
✓	Inspect rock guards. Refer to Inspecting Rock Guards, page 112 .																
✓	Inspect drums. Refer to Inspecting Drums, page 115 .																
✓	Check hydraulic hoses and lines. Refer to 4.13.1 Checking Hydraulic Hoses and Lines, page 170 .																

MAINTENANCE AND SERVICING

Every 25 Hours													
◆	Lubricate idler pivot. Refer to 4.5 Lubrication, page 80 .												
◆	Lubricate upper and lower driveline universal joints. Refer to 4.5 Lubrication, page 80 .												
◆	Lubricate roller conditioner and feed roller bearings. Refer to 4.5 Lubrication, page 80 .												
◆	Lubricate conditioner driveline. Refer to 4.5 Lubrication, page 80 .												
Every 100 Hours or Annually													
✓	Check conditioner drive belt tension. Refer to Inspecting Conditioner Drive Belt, page 160 .												
✓	Check roll timing gearbox lubricant. Refer to 4.7.1 Checking and Changing Conditioner Roll Timing Gearbox Oil, page 149 .												
✓	Check header drive gearbox lubricant. Refer to 4.8.1 Checking Oil in Header Drive Gearbox, page 152 .												
Every 250 Hours ²													
▲	Change roll timing gearbox lubricant. Refer to 4.7.1 Checking and Changing Conditioner Roll Timing Gearbox Oil, page 149 .												
▲	Change header drive gearbox lubricant. Refer to 4.8.2 Changing Oil in Header Drive Gearbox, page 154 .												
▲	Change cutterbar lubricant. Refer to 4.6.1 Lubricating Cutterbar, page 83 .												
◆	Lubricate left and right driven drums. Refer to Removing Left Driven Drum and Driveline, page 126 and Removing Right Driven Drum and Driveline, page 132 .												

2. Begins after the first 150 hour service.

4.4.2 Break-In Inspections

Table 4.1 Break-In Inspection Schedule

Inspection Interval	Item	Refer to
1 Hour	Check for loose hardware and tighten to required torque	<i>7.1 Torque Specifications, page 187</i>
5 Hours	Check for loose hardware and tighten to required torque	<i>7.1 Torque Specifications, page 187</i>
5 Hours	Check conditioner drive belt tension	<i>Inspecting Conditioner Drive Belt, page 160</i>
25 Hours	Check conditioner drive belt tension	<i>Inspecting Conditioner Drive Belt, page 160</i>
50 Hours	Change conditioner roll timing gearbox lubricant	<i>4.7.1 Checking and Changing Conditioner Roll Timing Gearbox Oil, page 149</i>
50 Hours	Change header drive gearbox lubricant	<i>4.8.2 Changing Oil in Header Drive Gearbox, page 154</i>
100 Hours	Check conditioner drive belt tension, and adjust tension if necessary.	<i>Inspecting Conditioner Drive Belt, page 160</i>

4.4.3 Preseason Servicing



CAUTION

- Review the operator's manual to refresh your memory on safety and operating recommendations.
- Review all safety signs and other decals on the self-propelled disc header and note hazard areas.
- Ensure all shields and guards are properly installed and secured. Never alter or remove safety equipment.
- Make certain you understand and have practiced safe use of all controls. Know the capacity and the operating characteristics of the machine.
- Check the first aid kit and fire extinguisher. Know where they are and how to use them.

Perform the following procedures at the beginning of each operating season:

1. Lubricate machine completely. For instructions, refer to *4.5 Lubrication, page 80* and *4.6.1 Lubricating Cutterbar, page 83*.
2. Perform all annual maintenance. For instructions, refer to *4.4.1 Maintenance Schedule/Record, page 76*.

4.4.4 End-of-Season Servicing



WARNING

To avoid injury or death from unexpected start-up of machine, always stop the engine and remove the key from the ignition before leaving the operator's seat for any reason.



CAUTION

Never use gasoline, naphtha, or any volatile material for cleaning purposes. These materials may be toxic and/or flammable.



CAUTION

Cover cutterbar to prevent injury from accidental contact.

Perform the following procedures at the end of each operating season:

1. Raise the header and engage lift cylinder safety props.
2. Clean the header thoroughly.
3. Check for worn components and repair as necessary.
4. Check for broken components and order replacements from your Dealer. Immediate repair of these items will save time and effort at beginning of next season.
5. Replace or tighten any missing or loose hardware. For instructions, refer to [7.1 Torque Specifications, page 187](#).
6. Lubricate the header thoroughly leaving excess grease on fittings to keep moisture out of bearings.
7. Apply grease to exposed threads, cylinder rods, and sliding surfaces of components.
8. Oil cutterbar components to prevent rust.
9. Loosen drive belt.
10. Remove divider rods (if equipped) to reduce space required for inside storage.
11. Repaint all worn or chipped painted surfaces to prevent rust.
12. Store in a dry, protected place if possible. If stored outside, always cover header with a waterproof canvas or other protective material.

4.5 Lubrication

WARNING

To avoid personal injury, before servicing header or opening drive covers, refer to [4.2 Preparing Machine for Servicing, page 73](#).

Greasing points are marked on the machine by decals on the left and right outboard shielding.

Log hours of operation and use the maintenance schedule provided to keep a record of scheduled maintenance. Refer to [4.4.1 Maintenance Schedule/Record, page 76](#).

4.5.1 Greasing Procedure

Only use clean, high temperature, extreme pressure grease. Refer to this manual's inside back cover for a list of recommended fluids and lubricants.

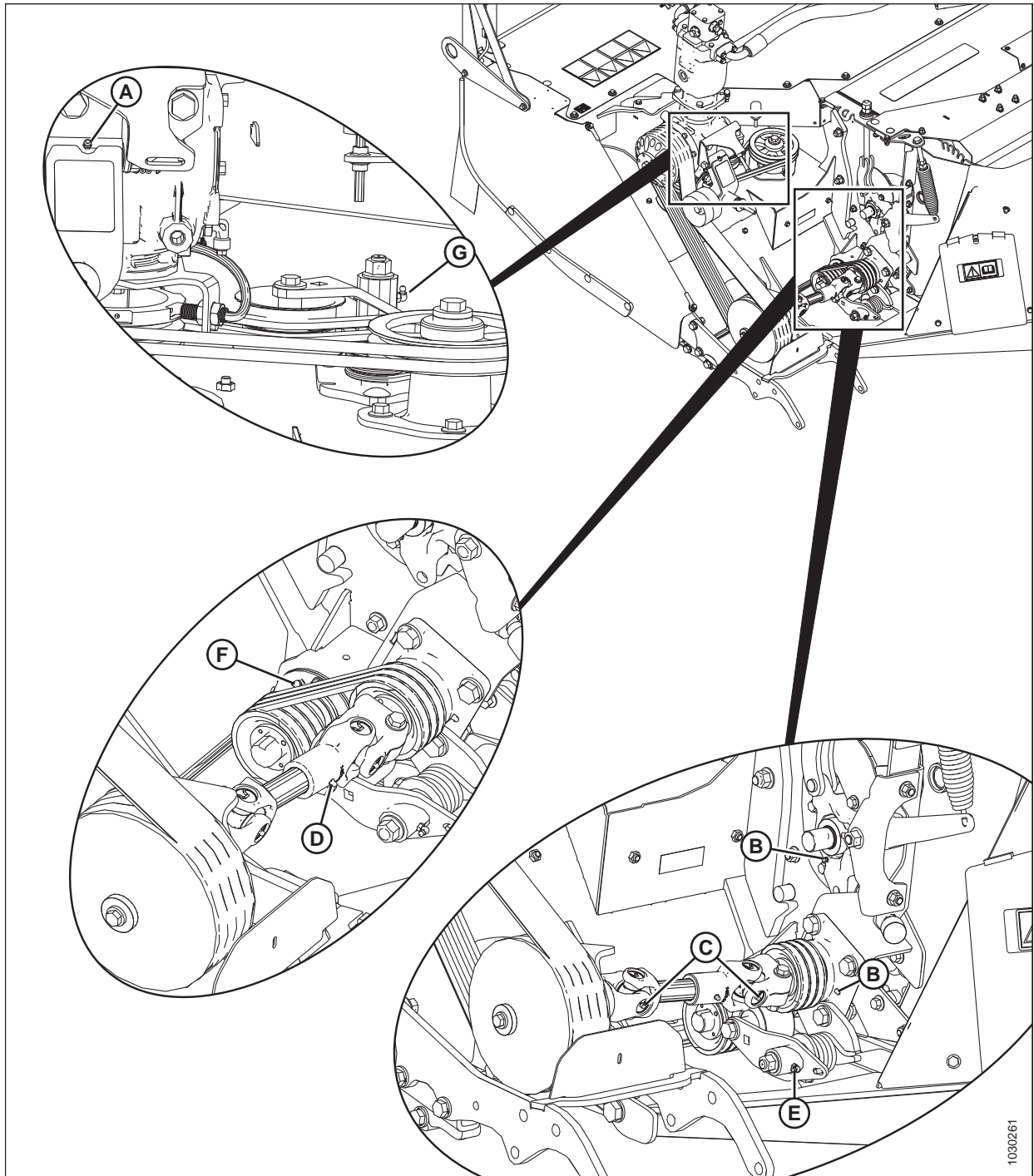
WARNING

To avoid bodily injury or death from unexpected startup of the machine, always stop the engine and remove the key from the ignition before leaving the operator's seat for any reason.

1. Shut down the engine, and remove the key from the ignition.
2. Open driveshields at the ends of the header to access greasing points. For instructions, refer to [3.5.1 Opening Driveshields, page 42](#).
3. Wipe grease fitting with a clean cloth before greasing to avoid injecting dirt and grit.
4. Replace any loose or broken fittings immediately.
5. Inject grease through fitting with grease gun until grease overflows fitting (except where noted).
6. Leave excess grease on fitting to keep out dirt.
7. Remove and thoroughly clean any fitting that will not take grease and clean lubricant passageway. Replace fitting if necessary.

4.5.2 Lubrication Locations

Figure 4.9: Left Side Lubrication Locations



A - Idler/Tensioner Pivot

D - Slip Joint, Conditioner Driveline³

G - Tensioner Arm

B - Bearing, Roller Conditioner (Two Places)

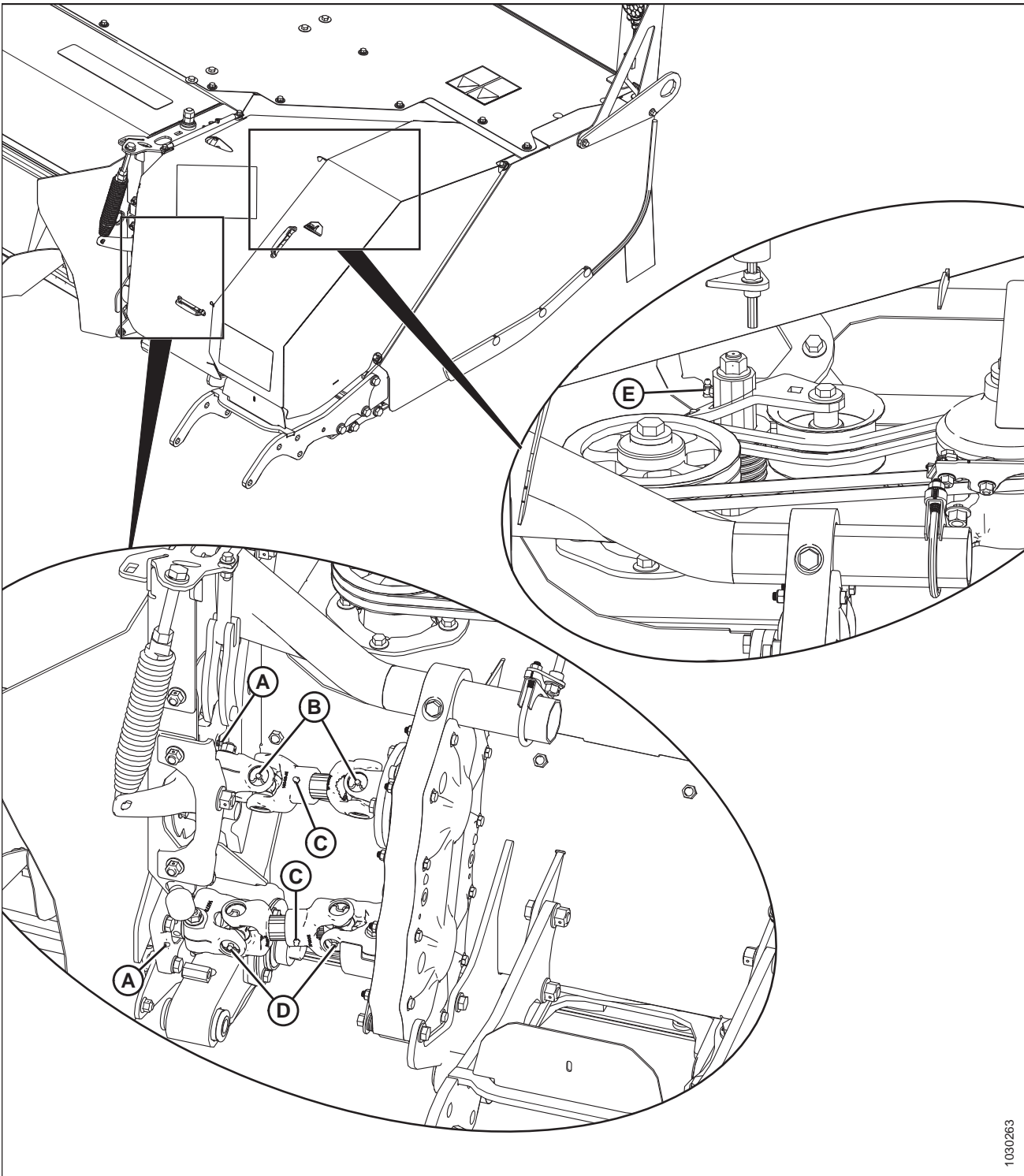
E - Idler/Tensioner Pivot

C - U-Joint, Conditioner Driveline (Two Places)

F - Bearing, Feed Roll

- Use high-temperature, extreme-pressure (EP2) performance grease with 10% max molybdenum disulphide (NLGI grade 2) lithium base.

Figure 4.10: Right Side Lubrication Locations



1030263

A - Bearing, Roller Conditioner (Two Places)
D - U-Joint, Lower Driveline (Two Places)

B - U-Joint, Upper Driveline (Two Places)
E - Idler Pivot

C - Slip Joints, Conditioner Drivelines⁴

4. Use high-temperature, extreme-pressure (EP2) performance grease with 10% max molybdenum disulphide (NLGI grade 2) lithium base.

4.6 Cutterbar System

Check and change the lubricant at regular intervals. For instructions, refer to [4.4 Maintenance Requirements, page 76](#).

IMPORTANT:

Warm cold lubricant by idling the machine for 10 minutes prior to checking level.

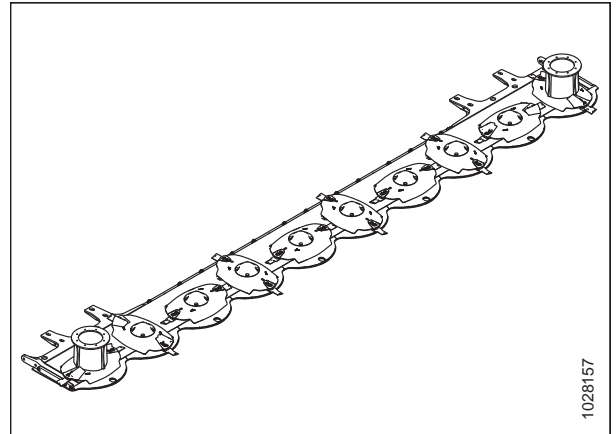


Figure 4.11: R216 SP Cutterbar

4.6.1 Lubricating Cutterbar

Checking and Adding Lubricant in Cutterbar

⚠ WARNING

To avoid bodily injury or death from unexpected startup of the machine, always stop the engine and remove the key from the ignition before leaving the operator's seat for any reason.

⚠ WARNING

Exercise caution when working around the blades. Blades are sharp and can cause serious injury. Wear gloves when handling blades.

1. Park the machine on level ground.
2. Lower the header onto 25 cm (10 in.) blocks under both ends of the cutterbar.
3. Shut down the engine, and remove the key from the ignition.
4. Open cutterbar curtain (A). For instructions, refer to [3.6.1 Opening Cutterbar Curtain, page 45](#).

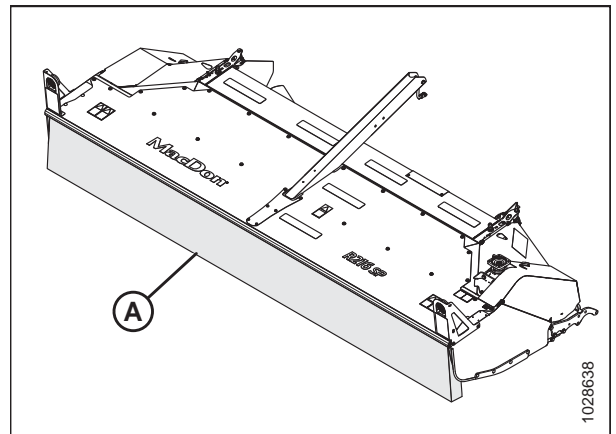


Figure 4.12: Cutterbar Curtain

MAINTENANCE AND SERVICING

5. Use a spirit (bubble) level (A) to ensure the cutterbar is level in both directions. Adjust the header accordingly.

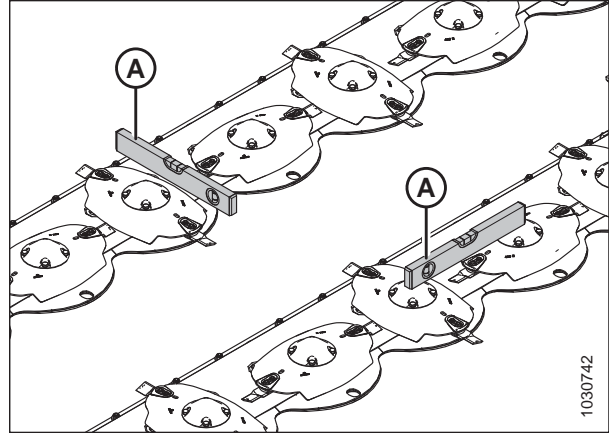


Figure 4.13: Spirit Level on Cutterbar

6. Clean the area around plug (A). Place a 5 liter (5.2 US qts) capacity container under plug (A).
7. Use a 17 mm socket to remove plug (A) and gasket (B) from cutterbar. Oil level must be up to the inspection plug hole. If additional lubricant is required, continue following this procedure and refer to the next step. If additional lubricant is **NOT** required, proceed to Step 22, page 85.
8. Reinstall the inspection plug.

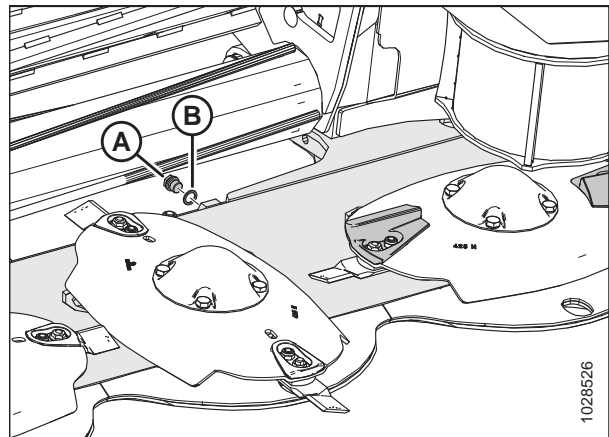


Figure 4.14: Cutterbar Oil Inspection Plug

CAUTION

Before starting the machine, check to be sure all bystanders have cleared the area.

9. Start the engine, and raise the header slightly.
10. Lower the header onto blocks, so the right end is slightly higher than left end.
11. Shut down the engine, and remove the key from the ignition.

MAINTENANCE AND SERVICING

- Remove plug (A) at the right end of the header.

IMPORTANT:

Do **NOT** remove bolts (B).

- Add lubricant to the required level.

IMPORTANT:

Do **NOT** overfill the cutterbar. Overfilling can cause overheating, damage, or cutterbar component failure.

NOTE:

Refer to the inside back cover of this manual for lubrication specifications.

- Replace plug (A) and torque to 30 Nm (22 lbf-ft).

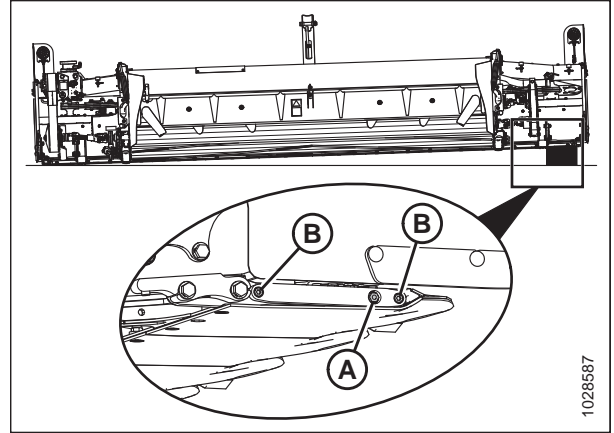


Figure 4.15: Cutterbar Oil Plug



CAUTION

Before starting the machine, check to be sure all bystanders have cleared the area.

- Start the engine and raise the header fully.
- Shut down the engine, and remove the key from the ignition. Engage the windrower lift cylinder safety props.
- Remove the block from under the header.
- Disengage the windrower lift cylinder safety props.



CAUTION

Before starting the machine, check to be sure all bystanders have cleared the area.

- Start the engine and lower the header to a level position on the ground.
- Shut down the engine, and remove the key from the ignition.
- Recheck the oil level.
- Check gasket (B) for breaks or cracks, and replace if necessary.
- Install plug (A) and gasket (B). Tighten securely.

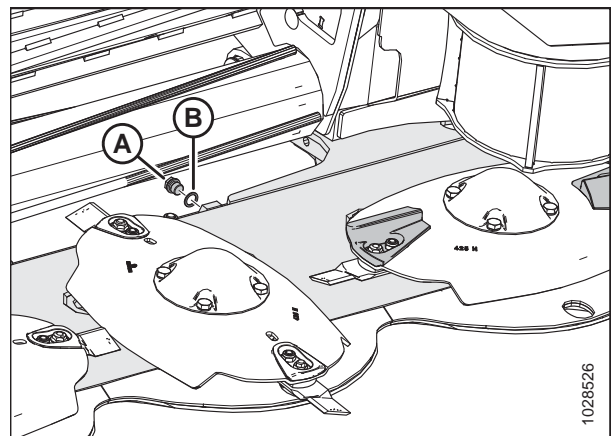


Figure 4.16: Cutterbar Oil Inspection Plug

24. Close cutterbar curtain (A). For instructions, refer to 3.6.2 *Closing Cutterbar Curtain, page 46.*

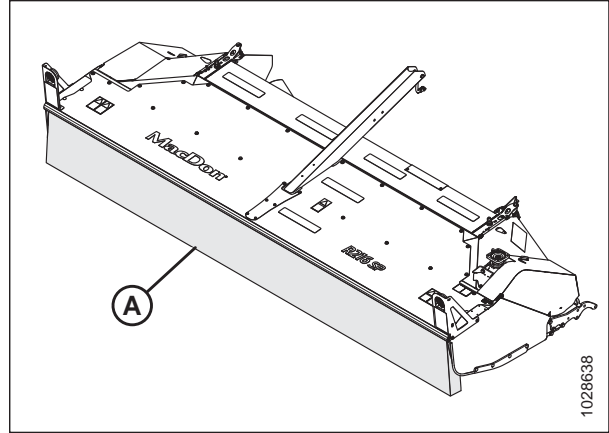


Figure 4.17: Cutterbar Curtain

Draining the Cutterbar

⚠ DANGER

To avoid bodily injury or death from unexpected startup of the machine, always stop the engine and remove the key from the ignition before leaving the operator’s seat for any reason.

⚠ WARNING

Exercise caution when working around the blades. Blades are sharp and can cause serious injury. Wear gloves when handling blades.

1. Start the engine, and raise the disc header.
2. Place block under each end of the disc header as shown, so the right end is lower than the left end.

IMPORTANT:

Always drain lubricant from the right end of the disc header. Draining lubricant from the left end of the disc header may lead to breather contamination or failure.

3. Tilt the header fully forward, and lower disc header onto the blocks.
4. Shut down the engine, and remove the key from the ignition.
5. Place a 10 liter (10.5 US qts) capacity container under the right end of the cutterbar, clean area around plug (A), and remove the plug.

IMPORTANT:

Do **NOT** remove hex head bolts (B) securing cutterbar end plate to cutterbar or lubricant leaks could result.

6. Allow sufficient time for lubricant to drain, then reinstall cutterbar plug (A).

NOTE:

Do **NOT** flush the cutterbar.

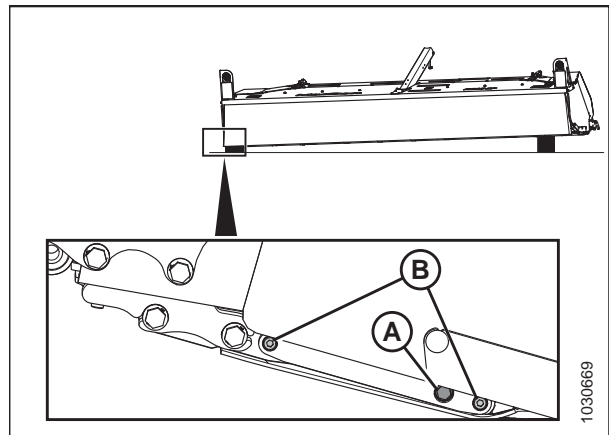


Figure 4.18: Disc Header Tilted Forward

MAINTENANCE AND SERVICING

7. Fill the cutterbar with lubricant before operating the disc header. For instructions, refer to *Filling Cutterbar with Lubricant, page 87*.

IMPORTANT:

Dispose of used lubricant responsibly.

Filling Cutterbar with Lubricant

This procedure should be used when the cutterbar has been completely drained of oil. If you are checking oil level or topping it up, refer to *Checking and Adding Lubricant in Cutterbar, page 83*.

DANGER

To avoid bodily injury or death from unexpected startup of the machine, always stop the engine and remove the key from the ignition before leaving the operator's seat for any reason.

WARNING

Exercise caution when working around the blades. Blades are sharp and can cause serious injury. Wear gloves when handling blades.

WARNING

Check to be sure all bystanders have cleared the area.

IMPORTANT:

The cutterbar should be completely empty of oil before filling it. For instructions, refer to *Draining the Cutterbar, page 86*.

1. Start the engine, and raise the header fully.
2. Place a block under each end of the disc header, so the right end is higher than the left end.
3. Lower the header onto the blocks.
4. Shut down the engine, and remove the key from the ignition.
5. Remove access plug (A) from the raised end of the cutterbar and add the **EXACT** amount of lubricant specified. Refer to the inside back cover of this manual for a list of recommended fluids, lubricants, and quantities for the machine.

IMPORTANT:

Do **NOT** overfill the cutterbar. Overfilling can cause overheating, damage, or failure of cutterbar components.

NOTE:

Do **NOT** remove hex bolts (B) securing the cutterbar end plate to the rest of the cutterbar, or lubricant leaks could result.

6. Install access plug (A). Torque to 30 Nm (22 lbf-ft).
7. Start the engine, and raise the header fully.
8. Shut down the engine, and remove the key from the ignition. Engage the windrower lift cylinder safety props. For instructions, refer to *3.2.1 Engaging and Disengaging Header Safety Props – M1240 Windrower, page 20*.

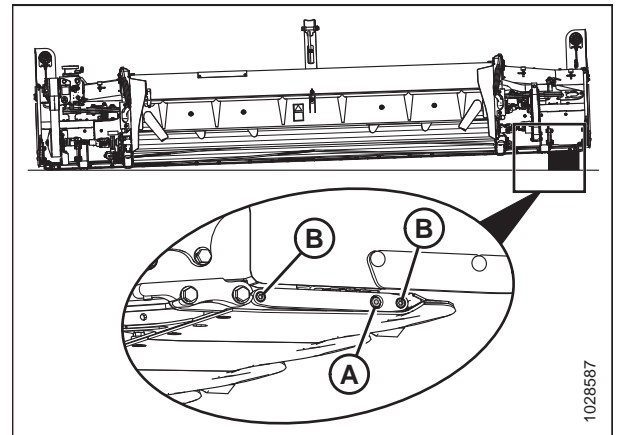


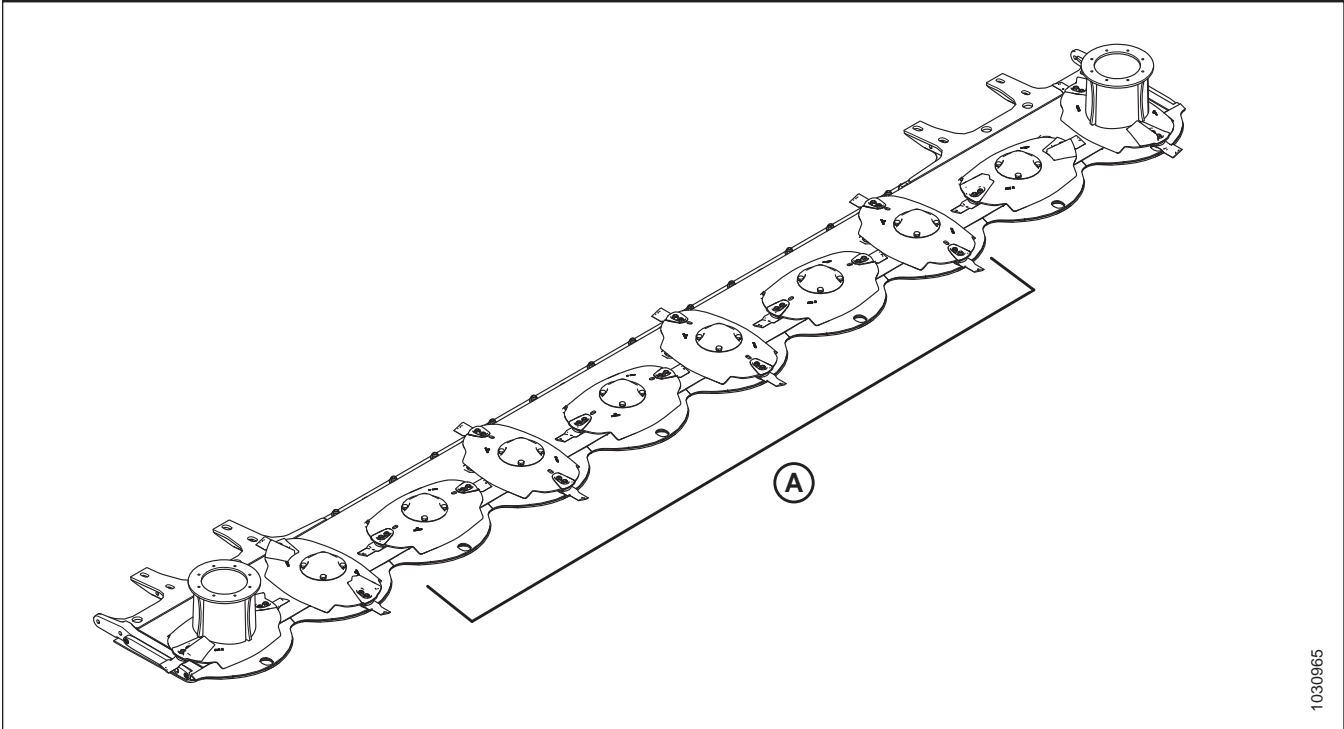
Figure 4.19: Cutterbar Access Plug

MAINTENANCE AND SERVICING

9. Remove the blocks from under the cutterbar.
10. Lower the header.
11. Shut down the engine, and remove the key from the ignition. Disengage the windrower lift cylinder safety props. For instructions, refer to [3.2.1 Engaging and Disengaging Header Safety Props – M1240 Windrower, page 20](#).
12. Check the lubricant level. For instructions, refer to [Checking and Adding Lubricant in Cutterbar, page 83](#).

4.6.2 Cutterbar Discs

Figure 4.20: Interchangeable Cutterbar Discs



Cutterbar discs (A) are interchangeable and can be moved to a spindle that rotates in the opposite direction as long as the disc is in usable condition and the blades are oriented to cut in the correct direction.

Perform daily inspections to ensure that cutterbar discs have not suffered damage from rocks, or experienced excessive wear from abrasive working conditions.

The cutterbar discs are **NOT** repairable and must be replaced if severely damaged or worn.

IMPORTANT:

If holes appear in a cutterbar disc, replace the disc immediately. Do **NOT** attempt to repair the cutterbar discs. Always use factory replacement parts.

Inspecting Cutterbar Discs

WARNING

To avoid bodily injury or death from unexpected startup of the machine, always stop the engine and remove the key from the ignition before leaving the operator's seat for any reason.

CAUTION

Disc blades have two sharp cutting edges that can cause serious injury. Exercise caution and wear gloves when working with blades.

CAUTION

Damaged blades may damage the cutterbar and result in poor cutting performance. Replace damaged blades immediately.

IMPORTANT:

Unbalanced cutterbar components can lead to premature cutterbar failure.

1. Inspect the cutterbar disc surface (D) for cracks, excessive wear, and disc distortion. Replace any damaged or worn discs as required.

NOTE:

Any damaged or worn cutterbar discs are **NOT** repairable and must be replaced if damaged.

2. Inspect the cutterbar disc edges (E) for cracks, excessive wear, and edge distortion. Replace any damaged or worn discs as required as required.

NOTE:

Any damaged or worn cutterbar discs are **NOT** repairable and must be replaced if damaged.

3. Ensure that disc blade fasteners (A) are securely attached to the cutterbar disc and that nut shields (B) are present and undamaged. Replace as required.
4. Check that cutterbar disc bolts (C) are securely attached to the spindles. Tighten as required.
5. Inspect the cutterbar disc for severe deformation. If the disc is deformed, dimension (A) must **NOT** exceed 48 mm (1 7/8 in.). Replace as required.

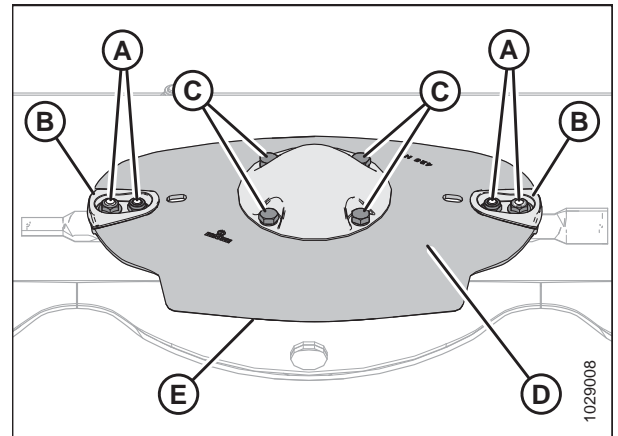


Figure 4.21: Cutterbar Disc

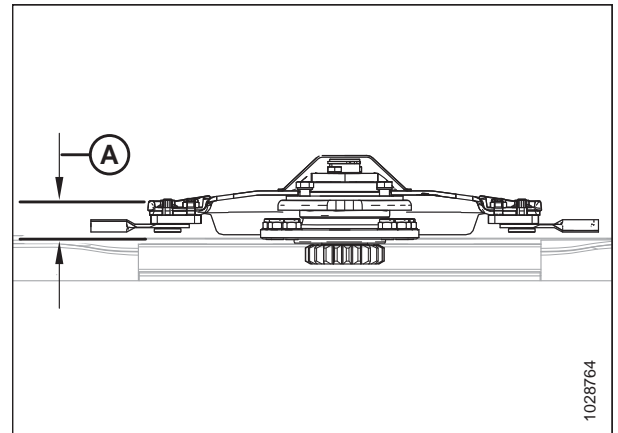


Figure 4.22: Cutterbar Disc – Cutaway View

MAINTENANCE AND SERVICING

6. Inspect the cutterbar disc for abrasion (A). The wear limit for abrasion is reached when the material thickness of the cutterbar discs is less than 3 mm (1/8 in.). Replace as required.

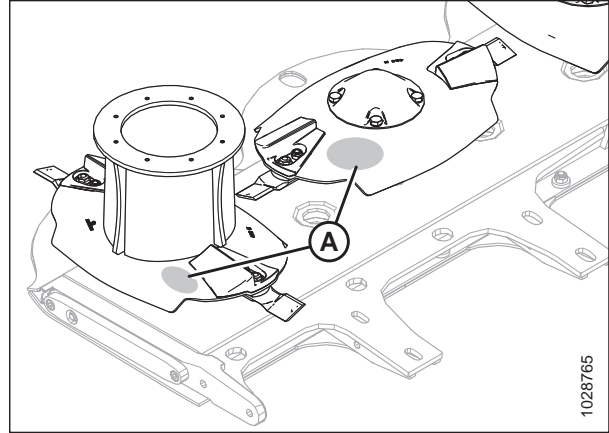


Figure 4.23: Cutterbar Disc – View from Above

Removing Cutterbar Discs

WARNING

To avoid injury or death from unexpected start-up of machine, always stop the engine and remove the key from the ignition before leaving the operator's seat for any reason.

CAUTION

Disc blades have two sharp cutting edges that can cause serious injury. Exercise caution and wear gloves when working with blades.

1. Raise the header.
2. Shut off the engine, and remove the key from the ignition.
3. Engage the windrower lift cylinder safety props. For instructions, refer to [3.2.1 Engaging and Disengaging Header Safety Props – M1240 Windrower, page 20](#).
4. Open cutterbar curtain (A). For instructions, refer to [3.6.1 Opening Cutterbar Curtain, page 45](#).

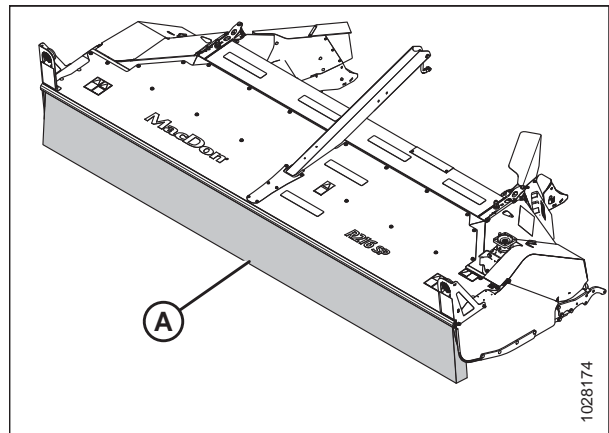


Figure 4.24: Cutterbar Curtain

MAINTENANCE AND SERVICING

5. Place a pin (or equivalent) in the front hole of rock guard (B) to prevent disc rotation while loosening bolts.
6. Remove four M12 bolts (A) and washers.

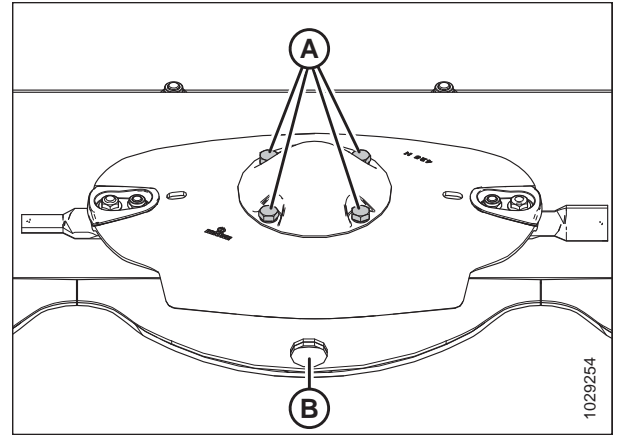


Figure 4.25: Cutterbar Disc Bolts

7. Remove cutterbar disc cap (A).
8. Remove cutterbar disc (B).

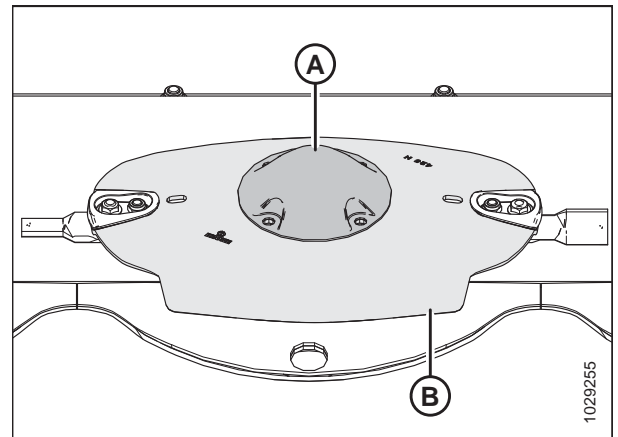


Figure 4.26: Cutterbar Disc and Cap

9. To remove the outboard cutterbar discs, refer to [Removing Left Driven Drum and Driveline, page 126](#) and [Removing Right Driven Drum and Driveline, page 132](#).

Installing Cutterbar Discs

WARNING

To avoid injury or death from unexpected start-up of machine, always stop the engine and remove the key from the ignition before leaving the operator's seat for any reason.

WARNING

Exercise caution when working around the blades. Blades are sharp and can cause serious injury. Wear gloves when handling blades.

1. Place a pin (or equivalent) in the front hole of rock guard (D) to prevent disc rotation while tightening bolts.
2. Position new disc (A) on the spindle, ensuring that it is positioned at a 90° angle in relation to the adjacent discs.
3. Install cutterbar disc cap (B), and secure assembly with four M12 bolts and washers (C). Torque bolts to 85 Nm (63 lbf·ft).

WARNING

Ensure the cutterbar is completely clear of foreign objects. Foreign objects can be ejected with considerable force when the machine is started and may result in serious injury or machine damage.

4. Remove pin (or equivalent) from the front hole of the rock guard.
5. Close the cutterbar curtain. For instructions, refer to [3.6.2 Closing Cutterbar Curtain, page 46](#).

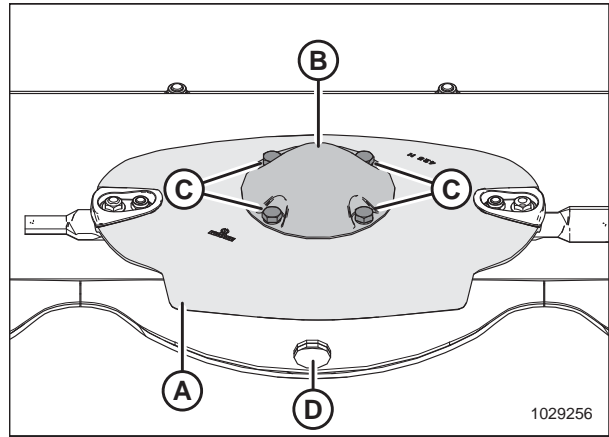


Figure 4.27: Cutterbar Disc and Cap

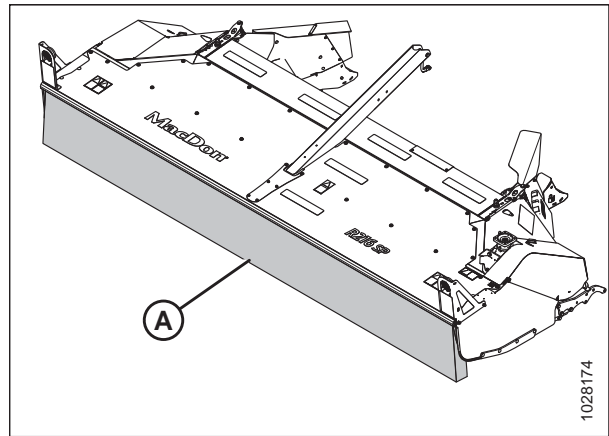


Figure 4.28: Cutterbar Curtain

6. To install the outboard cutterbar discs, refer to [Installing Left Driven Drum and Driveline, page 129](#) and [Installing Right Driven Drum and Driveline, page 135](#).

4.6.3 Cutterbar Spindles

To prevent damage to the cutterbar and drive systems, each disc is attached to a spindle containing a shear pin (A).

If the disc contacts a large object such as a stone or stump, the pin will shear and the disc will stop rotating and move upwards while remaining attached to the spindle with a snap ring (B).

NOTE:

Once the spindle has risen due to shear pin failure, the spindle's bearing will become unloaded. Do **NOT** replace the spindle due to excessive play. Check play after torquing spindle nut and replacing damaged shear pins.

Refer to [4.6.8 Cutterbar Spindle Shear Pin, page 138](#) to replace shear pin.

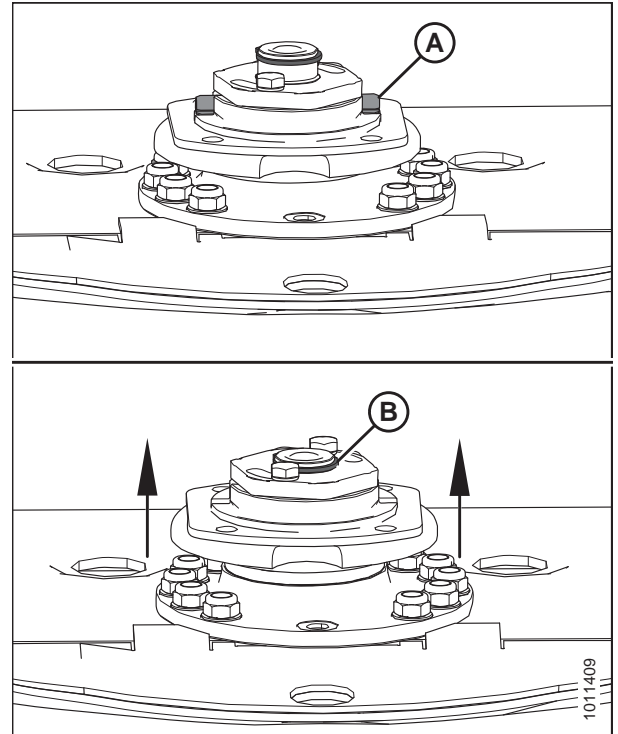


Figure 4.29: Cutterbar Spindles

IMPORTANT:

- Spindles that rotate clockwise have right-leading threading and are identified by a smooth top on the spindle gear shaft (A).
- Spindles that rotate counterclockwise have left-leading threading and are identified by machined grooves on the spindle gear shaft (B) and nut (C).
- If the spindle's position in cutterbar has changed, the rotational direction of that spindle **MUST** remain the same (that is, a clockwise spindle must maintain its clockwise rotation).
- Failure to maintain the rotation pattern can result in damage to the spindle and/or cutterbar components.
- Safecut components (shear pin) will not work if spindles are used in the wrong orientation.

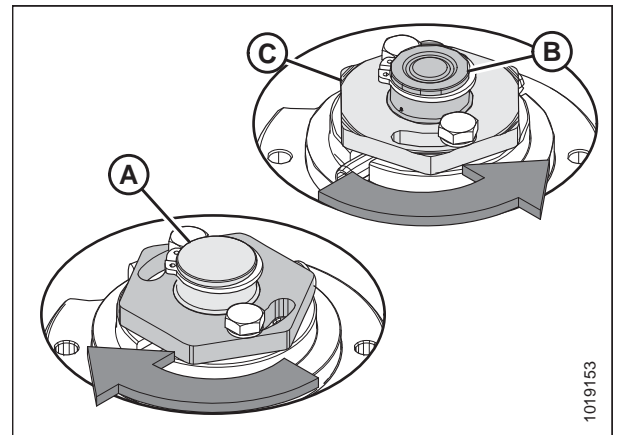


Figure 4.30: Cutterbar Spindles

Removing Cutterbar Spindles

DANGER

To avoid bodily injury or death from unexpected start-up or fall of a raised machine, stop engine, remove key, and engage windrower lift cylinder safety props before going under machine for any reason.

CAUTION

Disc blades have two sharp cutting edges that can cause serious injury. Exercise caution and wear gloves when working with blades.

1. Park on a flat, level surface.
2. Raise the header.
3. Shut off the engine, and remove the key from the ignition.
4. Engage the windrower lift cylinder safety props. For instructions, refer to [3.2.1 Engaging and Disengaging Header Safety Props – M1240 Windrower, page 20](#).
5. Open cutterbar curtain (A). For instructions, refer to [3.6.1 Opening Cutterbar Curtain, page 45](#).

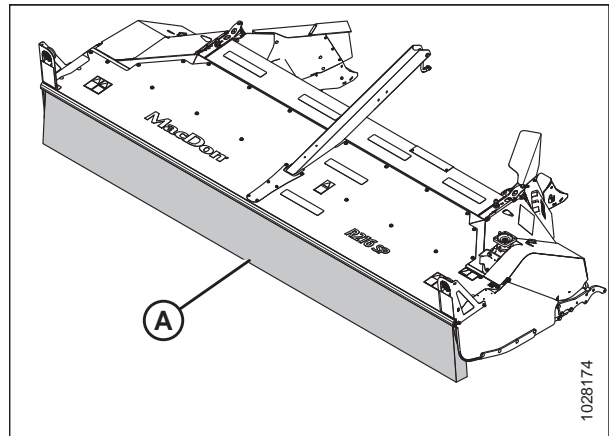


Figure 4.31: Cutterbar Curtain

6. Place a pin (or equivalent) in the front hole of the rock guard (B) to prevent disc rotation while loosening bolts.
7. Remove four M12 bolts (A) and washers.

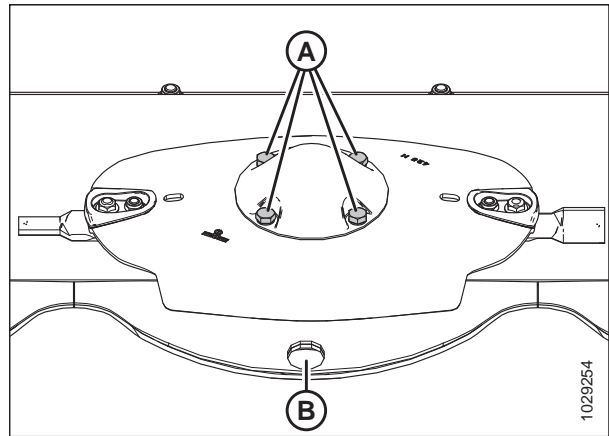


Figure 4.32: Cutterbar Disc Bolts

MAINTENANCE AND SERVICING

- Remove cutterbar disc cap (A).
- Remove cutterbar disc (B).

IMPORTANT:

Blades are rotation specific. Switch the entire disc when swapping spindles.

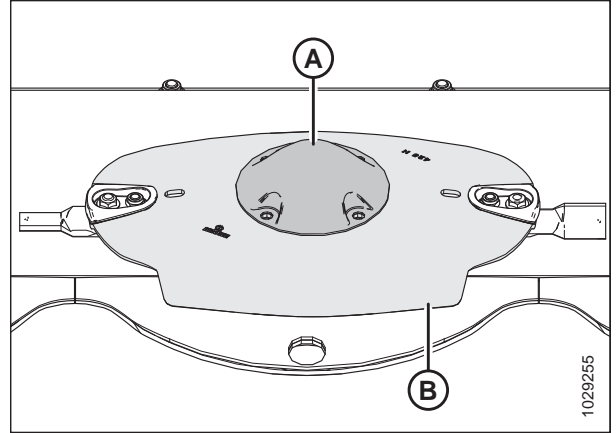


Figure 4.33: Cutterbar Disc and Cap

- Remove spacer plate (A).

NOTE:

The area around the spindle must be cleaned thoroughly to prevent debris from entering into the cutterbar gearbox.

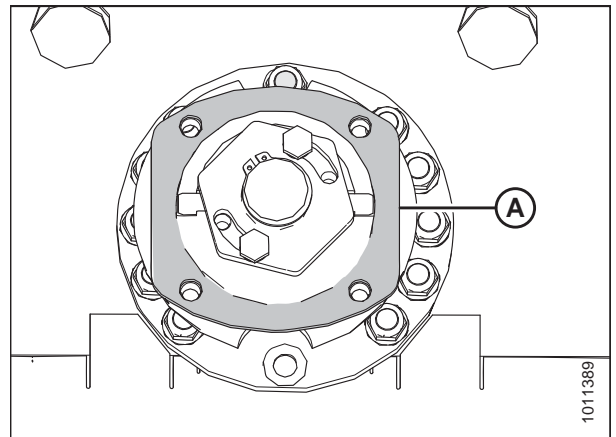


Figure 4.34: Spacer Plate

- Rotate spindle hub (A) to access nuts (B), and remove eleven M12 lock nuts (B) and washers.

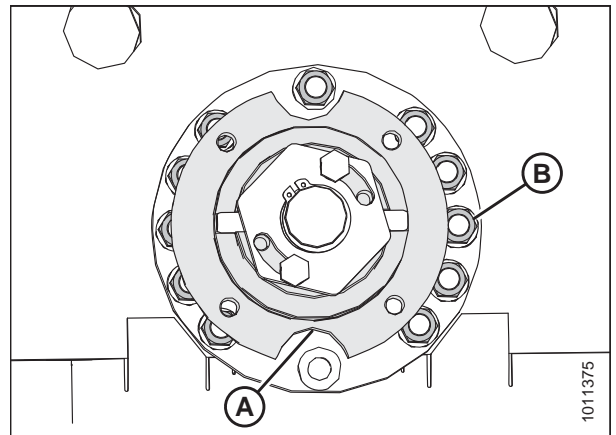


Figure 4.35: Left Spindle Hub and Hardware

MAINTENANCE AND SERVICING

12. Remove spindle (A) from the cutterbar.

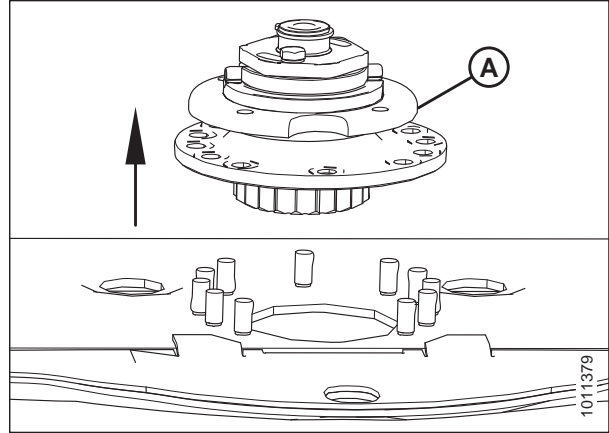
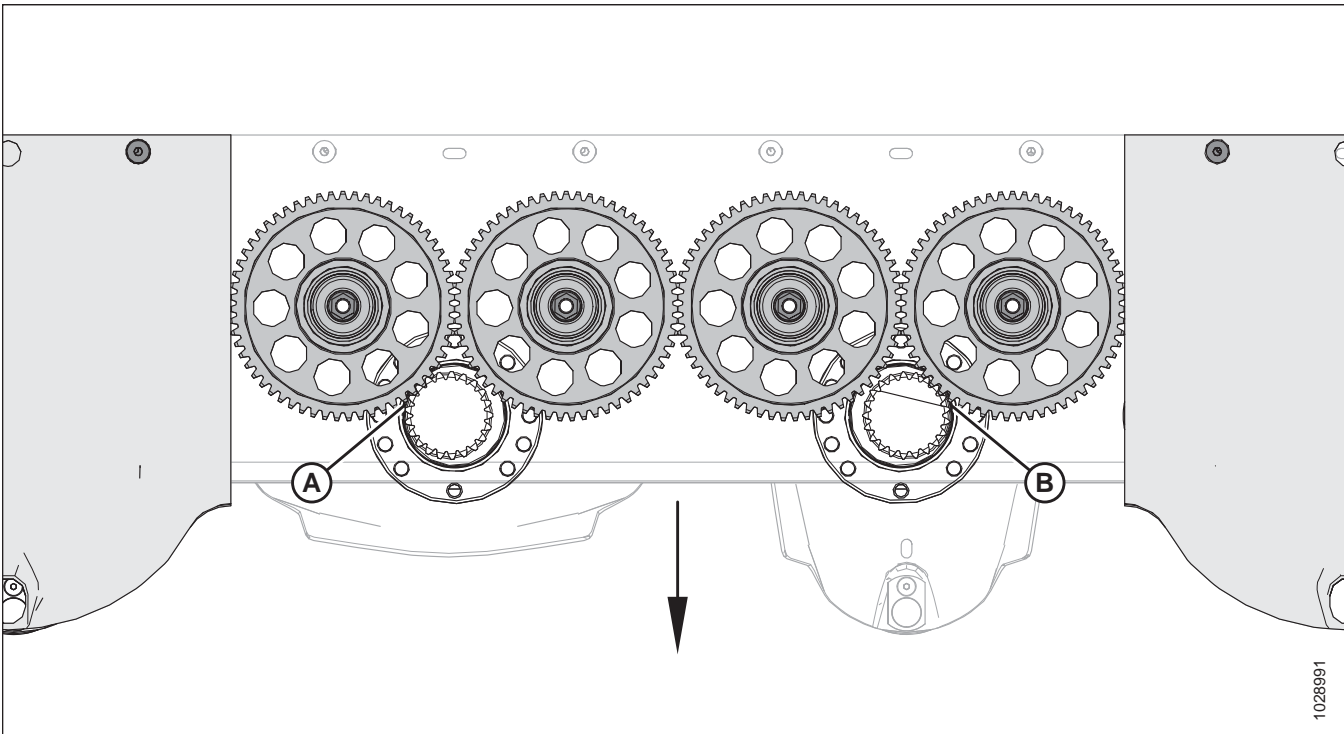


Figure 4.36: Left Spindle

Installing Cutterbar Spindles

Figure 4.37: Underside of Cutterbar Spindles



NOTE:

Right discs (A) and left discs (B) are slightly offset as shown, depending on which idler gear the spindle is turning.

- Spindles that rotate clockwise have left-leading threading
- Spindles that rotate counterclockwise have right-leading threading

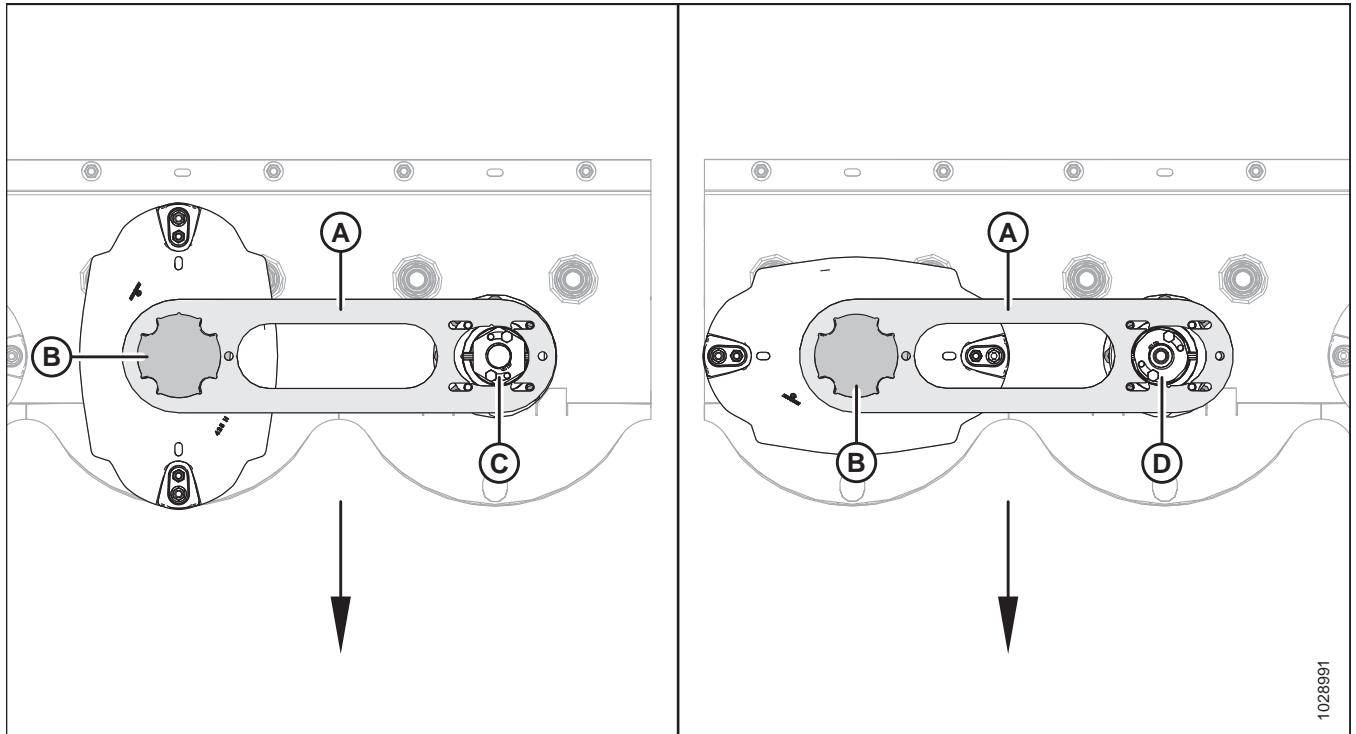
IMPORTANT:

Right discs (A) and left discs (B) are timed and must be at a 90° angle from adjacent discs when reinstalled. Misaligned discs could result in the following:

- Disc blades of co-rotating discs hitting each other
- Disc blades of diverging discs hitting adjacent discs

Check the clearance (timing) using disc timing tool (MD #307954) as shown in Figure 4.38, page 97 before tightening the spindle to the cutterbar. The disc is correctly timed if the spindle hub is aligned with the disc timing tool as shown. Turn the disc by hand to ensure the disc blades do **NOT** contact each other or adjacent discs. If contact occurs or the alignment is incorrect, lift the spindle clear of the mounting bolts, rotate the spindle 180° (ensuring that the base does not turn), and reinstall. Recheck the timing before bolting the hub down and tightening all of the nuts.

Figure 4.38: Checking Timing with Disc Timing Tool – View from Above



A - Disc Timing Tool (MD #307954)
C - Right Disc, Correct Timing

B - Cutter Disc Cap
D - Left Disc, Correct Timing

NOTE:

Spindles do **NOT** need to be bolted to the disc timing tool; visual confirmation of alignment will suffice. A disc timing tool (MD #307954) is provided with the header and is located on the panel on the right side of the header. For storage location of disc timing tool on header, refer to Figure 4.156, page 148.

⚠ DANGER

To avoid bodily injury or death from unexpected start-up or fall of a raised machine, stop engine, remove key, and engage windrower lift cylinder safety props before going under machine for any reason.

⚠ CAUTION

Disc blades have two sharp cutting edges that can cause serious injury. Exercise caution and wear gloves when working with blades.

MAINTENANCE AND SERVICING

1. Park on a flat, level surface.
2. Lower the disc header fully, shut off the engine, and remove the key.

NOTE:

To prevent oil from spilling from the cutterbar while installing disc spindles, ensure the disc header is on a flat, level surface, and is tilted all the way back.

3. Determine the suitable spindle rotation pattern for the crop conditions. For instructions, refer to [4.6.3 Cutterbar Spindles, page 93](#).
4. Ensure that spindle O-ring (A) is properly seated, cleaned, and undamaged.

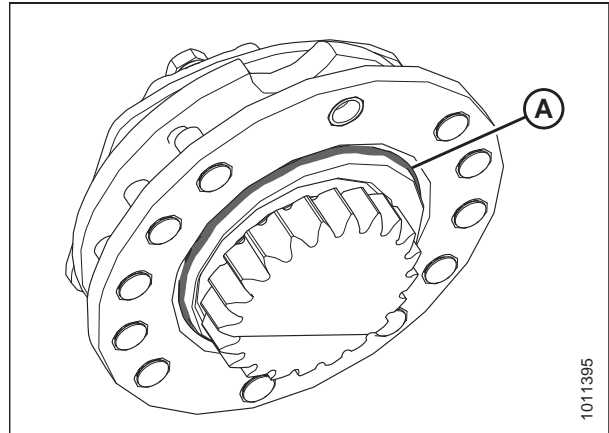


Figure 4.39: Left Spindle O-ring

5. Insert spindle (A) into the cutterbar.

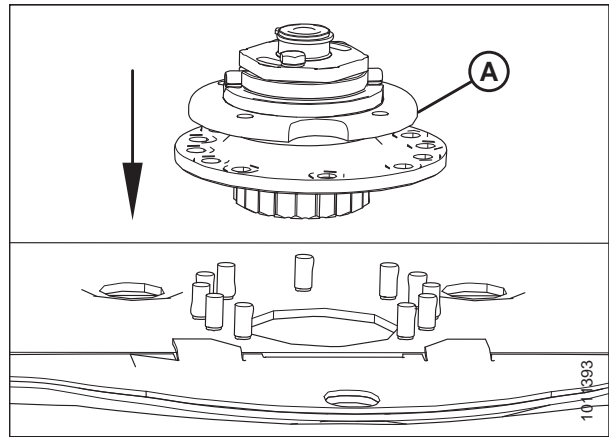


Figure 4.40: Left Spindle

MAINTENANCE AND SERVICING

6. Insert studs (A) into the spindle as shown.

NOTE:

Plugs are factory-installed as shown in position (B), but may come loose over time. Ensure the studs are inserted into the proper locations.

IMPORTANT:

Ensure clockwise spindles rotate clockwise and counterclockwise spindles (with machined grooves) rotate counterclockwise.

IMPORTANT:

The offset gear design makes it possible to install spindles that rotate in the wrong direction. If the spindles rotate in the wrong direction, the discs will not spin up after impact, potentially damaging cutterbar components.

7. Check and adjust disc timing as follows:

NOTE:

There are an odd number of teeth on the cutterbar gears which can make spindle hub alignment difficult.

- a. Place one end of disc timing tool (A) on adjacent disc (B) and the other end on left spindle as shown.
- b. Check bolt hole alignment (C) as shown.
- c. If alignment is slightly off, lift spindle and rotate it one tooth in either direction to try and line up bolt holes.
- d. Recheck with disc timing tool, if still not lining up, lift spindle and rotate hub 1/4 turn at a time, and recheck again with disc timing tool.
- e. Repeat until bolts are aligned.

NOTE:

Arrow points to the front of disc header.

8. Ensure that hub (A) is fully seated into the cutterbar before tightening nuts (B).
9. Rotate spindle hub (A) to access the studs, and install eleven M12 lock nuts (B) and washers.

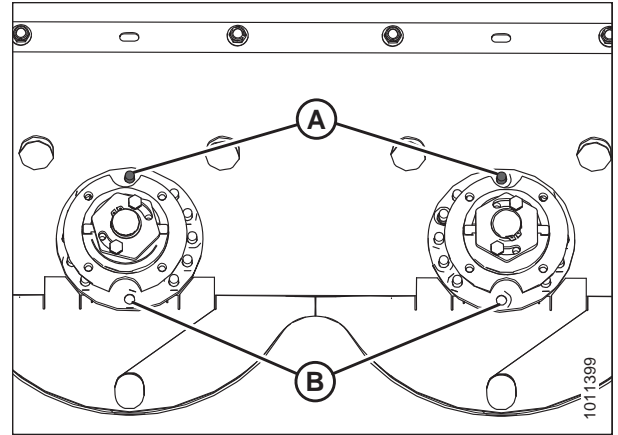


Figure 4.41: Spindle Orientation

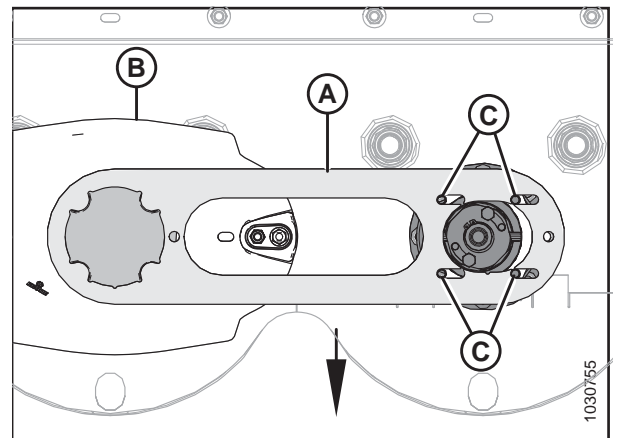


Figure 4.42: Alignment Tool

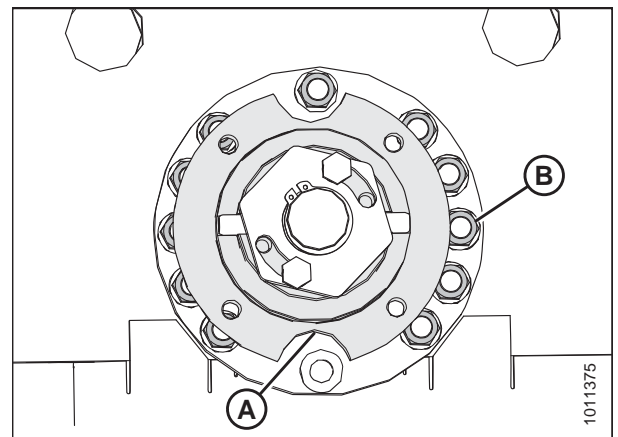


Figure 4.43: Left Spindle Hub

MAINTENANCE AND SERVICING

- Torque bolts to 50 Nm (37 lbf-ft) following the tightening pattern shown at right.

NOTE:

Hub is removed from the illustration for clarity.

IMPORTANT:

Do **NOT** use an impact wrench when tightening as it will damage the weld studs.

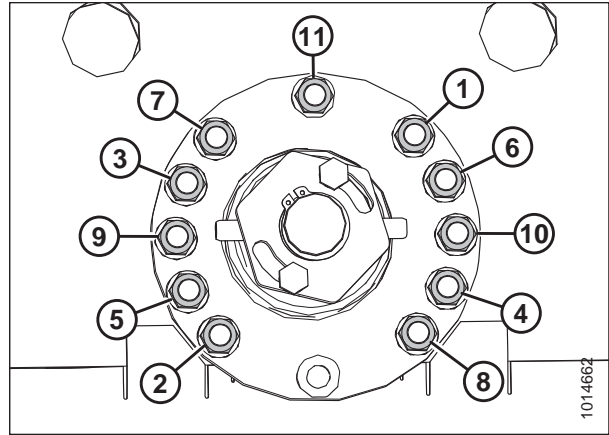


Figure 4.44: Tightening Pattern

- Install spacer plate (A).

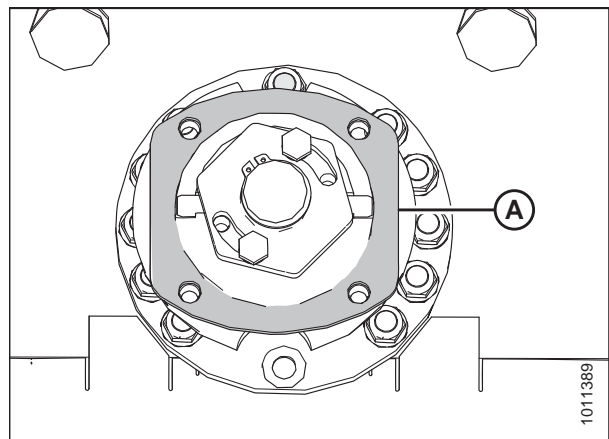


Figure 4.45: Spacer Plate

- Place a pin (or equivalent) in front hole (D) of rock guard to prevent disc rotation while tightening bolts.

IMPORTANT:

Blades are rotation specific. Switch the entire disc when swapping spindles.

- Position disc (A) on the spindle ensuring that it is positioned at a 90° angle in relation to the adjacent discs.

NOTE:

Turn disc (A) by hand to ensure its disc blades do not contact each other or adjacent discs.

- Install cutterbar disc cap (B) and secure the assembly with four M12 bolts and washers (C). Torque the bolts to 85 Nm (63 lbf-ft).

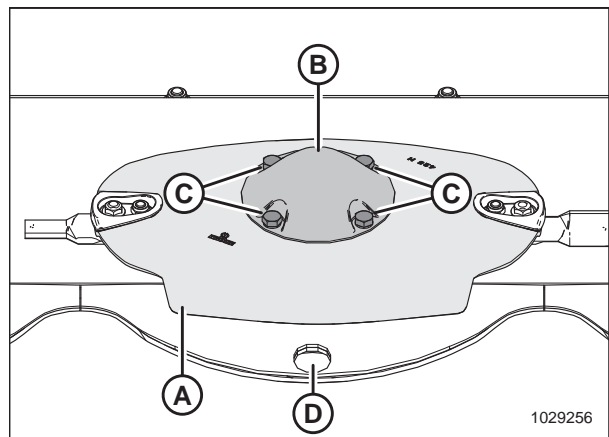


Figure 4.46: Cutterbar Disc and Cap

WARNING

Ensure the cutterbar is completely clear of foreign objects. Foreign objects can be ejected with considerable force when the machine is started and may result in serious injury or machine damage.

- Remove the pin (or equivalent) from the front hole of the rock guard.

MAINTENANCE AND SERVICING

16. Close cutterbar curtain (A). For instructions, refer to [3.6.2 Closing Cutterbar Curtain](#), page 46.

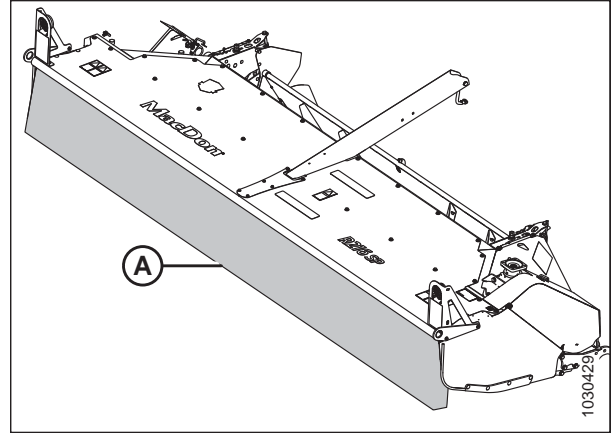


Figure 4.47: Cutterbar Curtain

4.6.4 Disc Blades

Each disc has two blades (A) attached at opposite ends that are free to rotate horizontally on a specially designed shoulder bolt.

Blade (A) has two cutting edges and can be flipped over so that the blade does not need replacing as often.

The blades are **NOT** repairable and must be replaced if severely worn or damaged.

IMPORTANT:

Always use factory replacement parts.

NOTE:

Discs are equipped with 18° bevel-down blades. For service parts, refer to the header parts catalog.

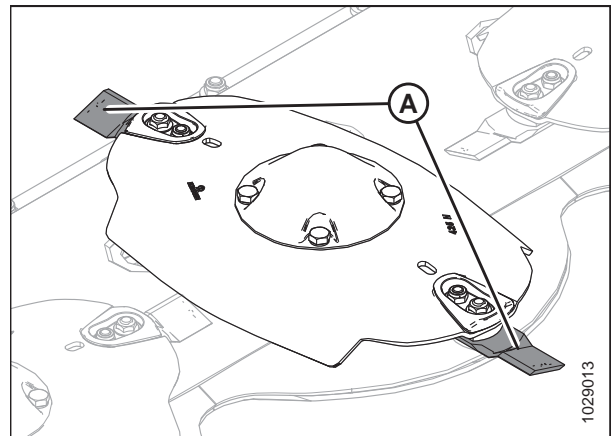


Figure 4.48: Disc Blades

Inspecting Disc Blades

⚠ WARNING

To avoid bodily injury or death from unexpected startup of the machine, always stop the engine and remove the key from the ignition before leaving the operator's seat for any reason.

⚠ CAUTION

Disc blades have two sharp cutting edges that can cause serious injury. Exercise caution and wear gloves when working with blades.

⚠ CAUTION

Damaged or loose disc blades or blade attachment hardware can be ejected during machine operation and may cause personal injury or machine damage.

IMPORTANT:

Damaged blades may damage the cutterbar and result in poor cutting performance. Replace damaged blades immediately.

1. Check daily that the disc blades are securely attached to the disc.
2. Inspect blades for cracks, blade wear (A), and/or elongated hole (B) beyond safe operating limits (C).
3. Replace blades immediately when problems are noticed.

IMPORTANT:

Blades should be replaced in pairs or the disc may become unbalanced and damage the cutterbar.

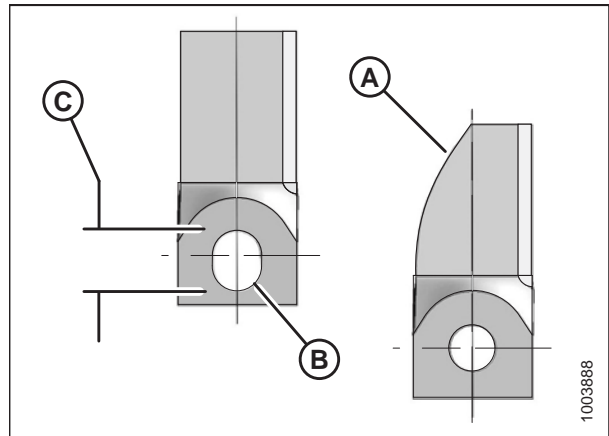


Figure 4.49: Disc Blades

- A - Blade Wear to Center Line
- B - Elongated Hole
- C - Maximum Elongation 21 mm (13/16 in.)

IMPORTANT:

The disc blades have cutting edges on both sides so the blades can be turned over and reused. The twist in each blade determines the cutting direction. If you are unsure which direction the spindles rotate, refer to: [4.6.9 Reconfiguring Cutterbar Crop Stream, page 146](#) for instructions.

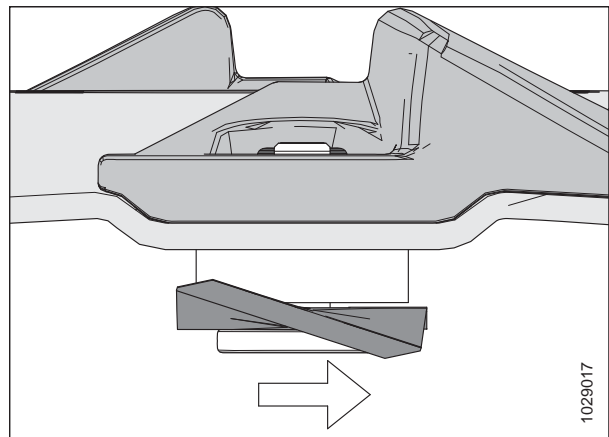


Figure 4.50: Counterclockwise Disc Rotation

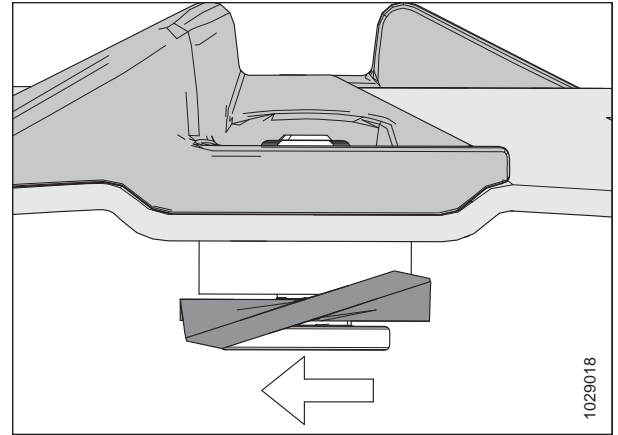


Figure 4.51: Clockwise Disc Rotation

Inspecting Disc Blade Hardware

CAUTION

Damaged or loose disc blades or blade attachment hardware can be ejected during machine operation and may cause personal injury or machine damage.

Inspect the blade attachment hardware each time the blades are changed. Refer to [Removing Disc Blades, page 105](#) and [Installing Disc Blades, page 107](#) for the hardware replacement procedure.

MAINTENANCE AND SERVICING

1. Check and replace the bolt if:

- Bolt has been removed and installed five times
- Head (A) is worn flush with the bearing surface of the blade
- Diameter of the bolt neck is worn (B) 3 mm (1/8 in.)

NOTE:

This can occur when disc speed is set too low in cane-type crops.

- Bolt is cracked (C)
- Bolt is visibly distorted (D)
- Bolt shows evidence of interference (E) with adjacent parts

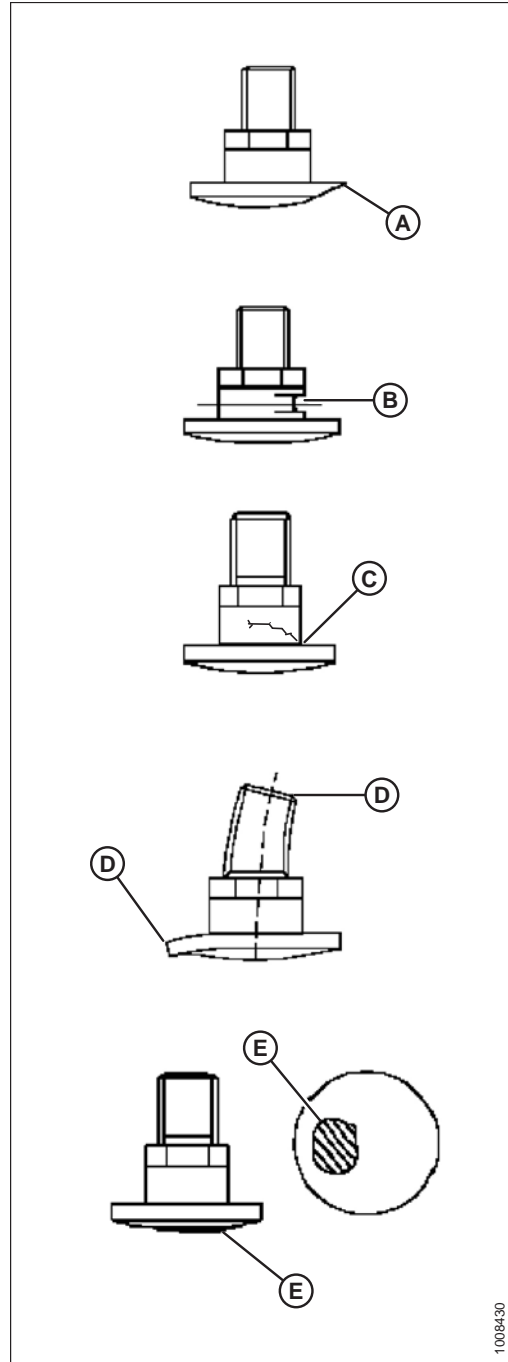


Figure 4.52: Disc Blade Bolts

MAINTENANCE AND SERVICING

2. Check and replace nuts under the following conditions:
 - Nut has been previously installed—nuts are one-time use only
 - Nut shows signs of wear (A) that is more than half the original height (B)
 - Nut is cracked

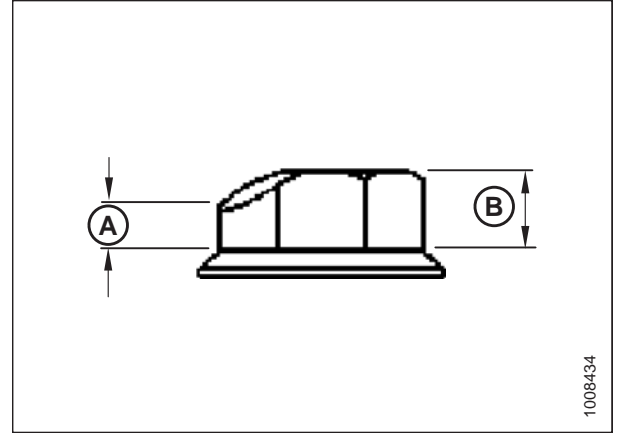


Figure 4.53: Disc Blade Nut

Removing Disc Blades

DANGER

To avoid bodily injury or death from unexpected start-up or fall of a raised machine, stop engine, remove key, and engage windrower lift cylinder safety props before going under machine for any reason.

CAUTION

Disc blades have two sharp cutting edges that can cause serious injury. Exercise caution and wear gloves when working with blades.

1. Raise the rotary disc header fully,
2. Shut off the engine, and remove the key from the ignition.
3. Engage the windrower lift cylinder safety props. For instructions, refer to [3.2.1 Engaging and Disengaging Header Safety Props – M1240 Windrower, page 20](#).
4. Open cutterbar curtain (A). For instructions, refer to [3.6.1 Opening Cutterbar Curtain, page 45](#).

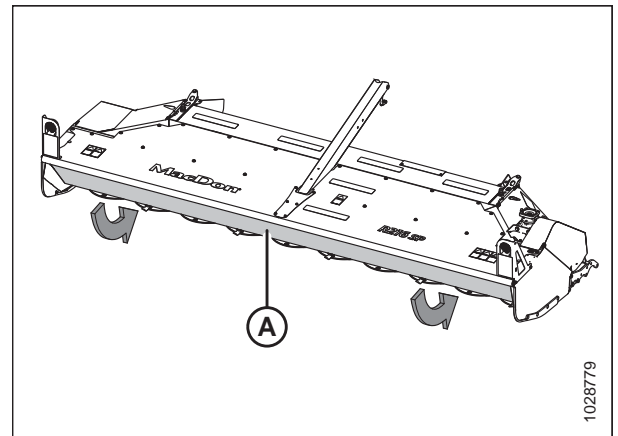


Figure 4.54: Cutterbar Curtain

MAINTENANCE AND SERVICING

5. Rotate disc (A) so blade (B) faces forward and lines up with hole (C) in rock guard.

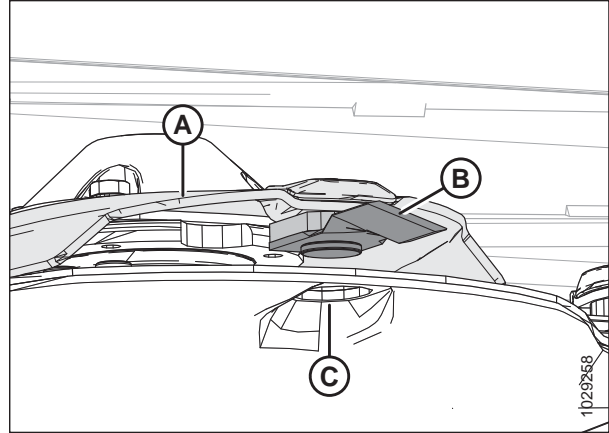


Figure 4.55: Disc Blade Aligned with Hole in Rock Guard

6. Place a pin (or equivalent) in the front hole of the neighboring rock guard to prevent disc rotation while loosening blade bolts.
7. Clean debris from the blade attachment area.
8. Remove nut (A) and discard.

IMPORTANT:

Nuts are one-time-use only. When flipping or changing a blade, replace using a **NEW** nut only.

9. Remove shoulder bolt (B) and blade (C).

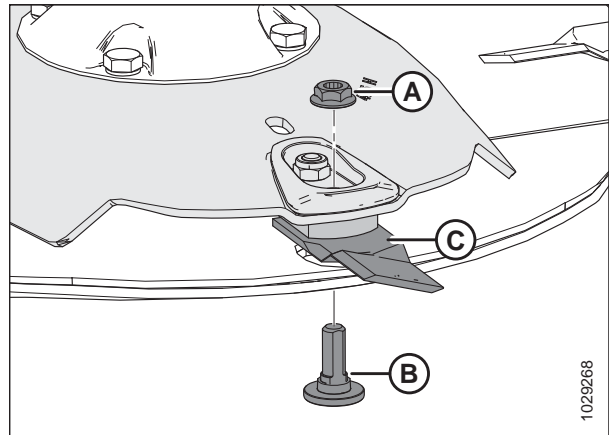


Figure 4.56: Disc Blade

Installing Disc Blades

WARNING

To avoid injury or death from unexpected start-up of machine, always stop the engine and remove the key from the ignition before leaving the operator's seat for any reason.

CAUTION

Disc blades have two sharp cutting edges that can cause serious injury. Exercise caution and wear gloves when working with blades.

IMPORTANT:

If you are unsure which direction the spindles rotate, refer to [4.6.9 Reconfiguring Cutterbar Crop Stream, page 146](#).

1. Place a pin (or equivalent) in the front hole of the rock guard to prevent disc rotation while tightening blade bolts.
2. Install a new or reversed blade (A) with shoulder bolt (B) onto disc (C).

IMPORTANT:

Nuts are one-time-use only. When flipping or changing a blade, replace using a **NEW** nut only.

3. Install new nut (D) and torque to 125 Nm (92 lbf-ft).
4. Remove pin (or equivalent) from the front hole of the rock guard.

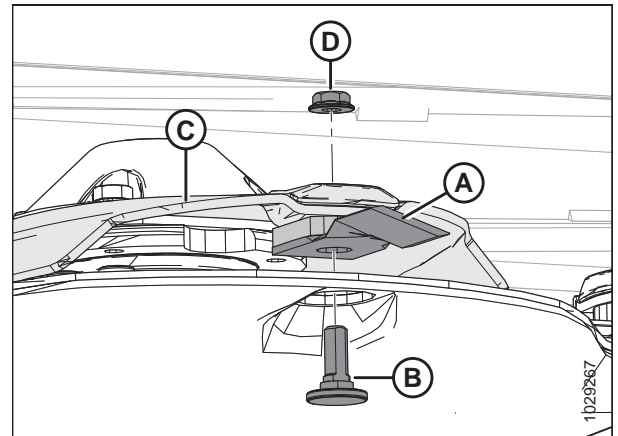


Figure 4.57: Disc Blade

WARNING

Ensure the cutterbar is completely clear of foreign objects.

Foreign objects can be ejected with considerable force when the machine is started and may result in serious injury or machine damage.

5. Close cutterbar curtain (A). For instructions, refer to [3.6.2 Closing Cutterbar Curtain, page 46](#).

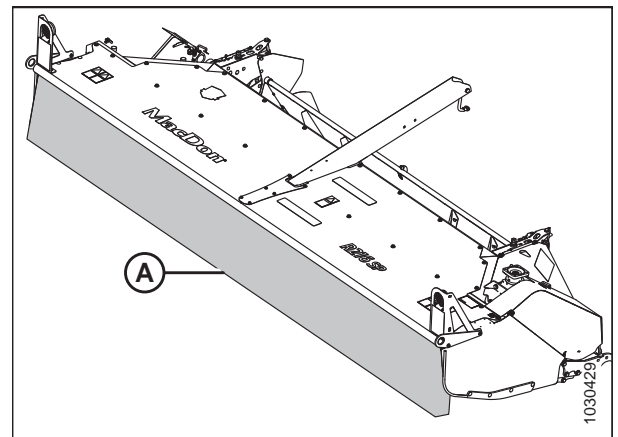


Figure 4.58: Cutterbar Curtain

4.6.5 Accelerators

Accelerators (A) are mounted on each outboard disc and are designed to quickly move cut material off the disc and into the conditioner. R216 SP headers have two pairs of accelerators on the two pairs of outboard discs.

Periodically inspect accelerators for damage and loose or missing fasteners, and replace as necessary.

IMPORTANT:

Always replace accelerators in pairs to ensure proper disc balance.

NOTE:

Illustration at right shows the left side of the header. The right side is opposite.

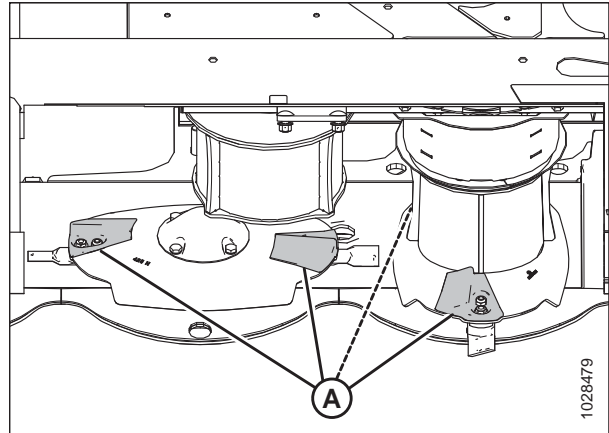


Figure 4.59: Accelerators

Inspecting Accelerators

CAUTION

Disc blades have two sharp cutting edges that can cause serious injury. Exercise caution and wear gloves when working with blades.

WARNING

To avoid bodily injury or death from unexpected startup of the machine, always stop the engine and remove the key from the ignition before leaving the operator's seat for any reason.

1. Raise the header fully.
2. Shut down the engine, and remove the key from the ignition.
3. Engage the windrower lift cylinder safety props. For instructions, refer to [3.2.1 Engaging and Disengaging Header Safety Props – M1240 Windrower, page 20](#).
4. Open the cutterbar curtain (A). For instructions, refer to [3.6.1 Opening Cutterbar Curtain, page 45](#).

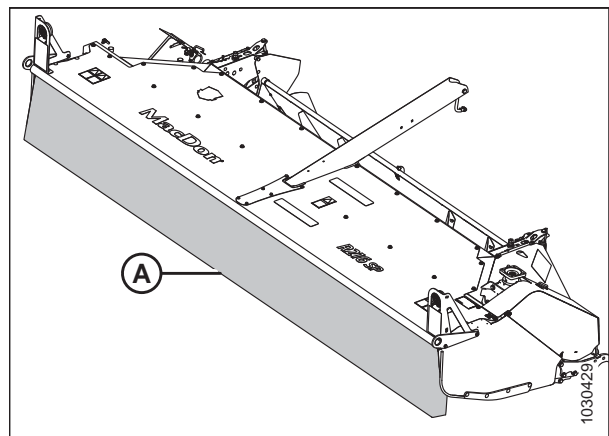


Figure 4.60: Cutterbar Curtain

MAINTENANCE AND SERVICING

5. Inspect accelerators (A) for damage and wear, and replace if worn to 50% or more of their original height or if they are no longer effectively moving crop.
6. Tighten or replace any loose or missing fasteners.

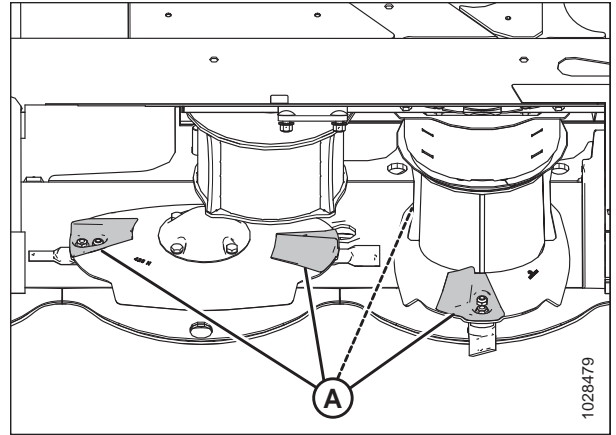


Figure 4.61: Accelerators – Left Side of Header Shown, Right Side Opposite

Removing Accelerators

WARNING

To avoid injury or death from unexpected start-up of machine, always stop the engine and remove the key from the ignition before leaving the operator's seat for any reason.

CAUTION

Disc blades have two sharp cutting edges that can cause serious injury. Exercise caution and wear gloves when working with blades.

IMPORTANT:

Always replace accelerators in pairs to ensure proper disc balance.

1. Raise the header fully.
2. Shut off the engine, and remove the key from the ignition.
3. Engage the windrower lift cylinder safety props. For instructions, refer to [3.2.1 Engaging and Disengaging Header Safety Props – M1240 Windrower, page 20](#).
4. Open cutterbar curtain (A). For instructions, refer to [3.6.1 Opening Cutterbar Curtain, page 45](#).

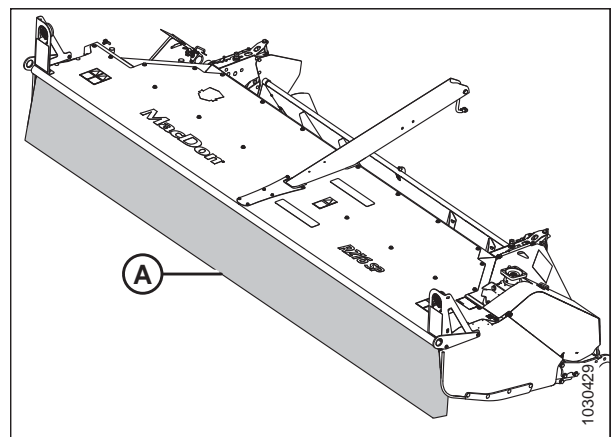


Figure 4.62: Cutterbar Curtain

MAINTENANCE AND SERVICING

5. Place a pin (or equivalent) in the front hole of the rock guard to prevent disc rotation while loosening bolts.
6. Line up the hole in the rock guard with the bolt to be removed.
7. Remove nut (A), flange bolt (B), and disc blade (C) from the disc. Discard the nut.

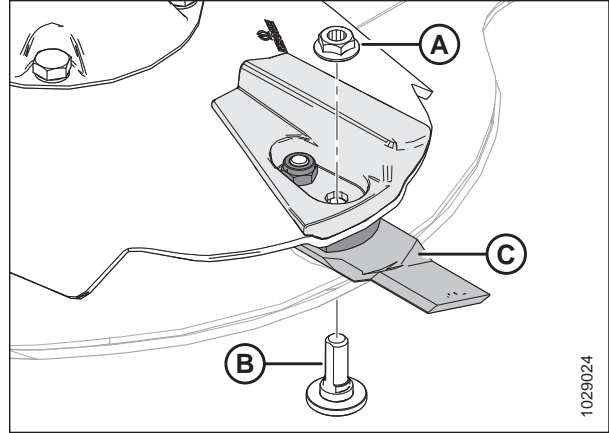


Figure 4.63: Accelerator Removal

8. Remove lock nut (A), accelerator (B), blade holder (C), and hex-socket bolt (D).
9. Repeat the removal procedure for the second accelerator.
10. Remove the pin.

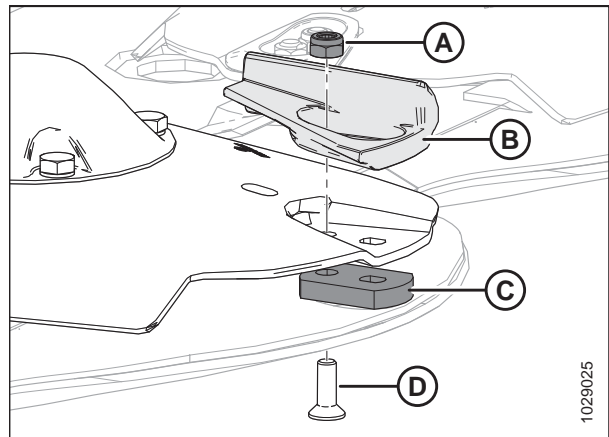


Figure 4.64: Accelerator Removal

Installing Accelerators

⚠ WARNING

To avoid injury or death from unexpected start-up of machine, always stop the engine and remove the key from the ignition before leaving the operator's seat for any reason.

⚠ CAUTION

Disc blades have two sharp cutting edges that can cause serious injury. Exercise caution and wear gloves when working with blades.

IMPORTANT:

Always replace accelerators in pairs to ensure proper disc balance.

1. Place a pin (or equivalent) in the front hole of the neighboring rock guard to prevent disc rotation while tightening blade bolts.

IMPORTANT:

Accelerators are unidirectional; both clockwise and counterclockwise accelerators are used on the cutterbar. Verify the direction of the disc before installing accelerators. If you are unsure which direction the spindle rotates, refer to [4.6.3 Cutterbar Spindles, page 93](#).

2. Install lock nut (A), accelerator (B), blade holder (C), and hex-socket bolt (D). Do **NOT** tighten at this time.
3. Install new nut (A), flange bolt (B), and disc blade (C) onto the disc.

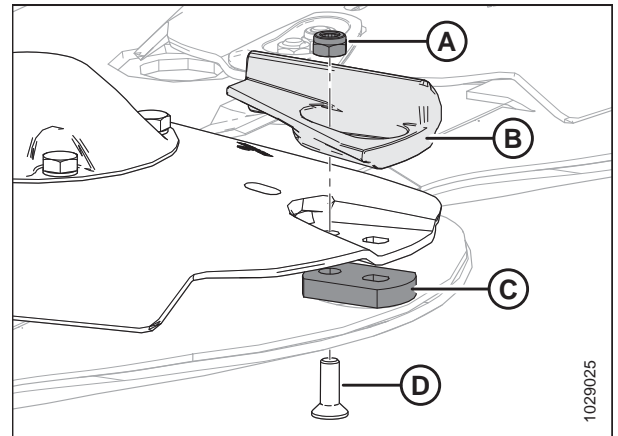


Figure 4.65: Accelerator Installation

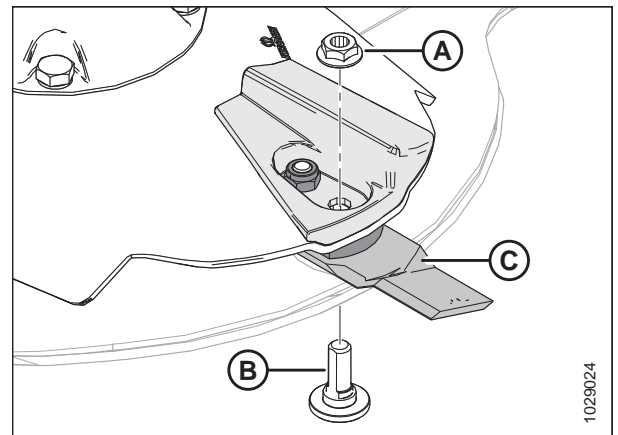


Figure 4.66: Accelerator Installation

MAINTENANCE AND SERVICING

4. Torque interior nut (A) to 58 Nm (43 lbf-ft).
5. Torque exterior nut (B) (closest to the blade) to 125 Nm (92 lbf-ft).
6. Repeat the installation procedure for the second accelerator.

WARNING

Ensure the cutterbar is completely clear of foreign objects. Foreign objects can be ejected with considerable force when the machine is started and may result in serious injury or machine damage.

7. Remove the pin (or equivalent) installed in Step 1, [page 111](#).
8. Close cutterbar curtain (A). For instructions, refer to [3.6.2 Closing Cutterbar Curtain, page 46](#).

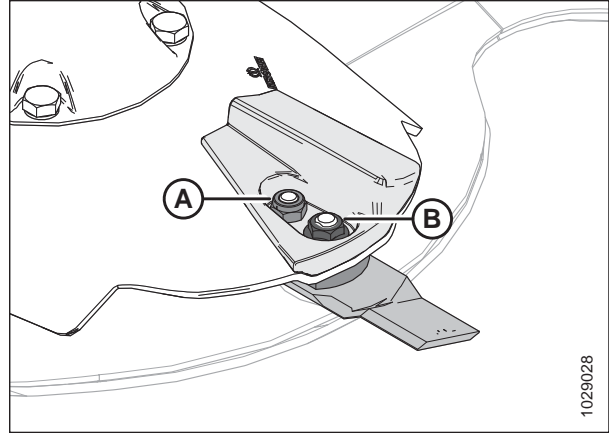


Figure 4.67: Accelerator Installation

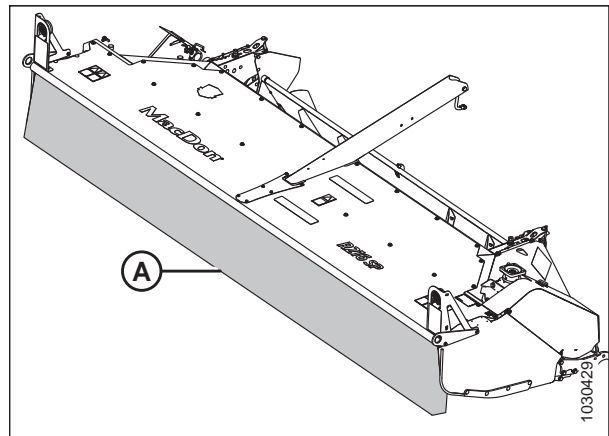


Figure 4.68: Cutterbar Curtain

4.6.6 Rock Guards

The machine is equipped with rock guards at each cutting disc location. Rock guards prevent the cutterbar from digging into the ground and protect the disc from coming in contact with stones and other debris. Periodically inspect rock guards for damage and replace as necessary.

Inspecting Rock Guards

DANGER

To avoid bodily injury or death from unexpected start-up or fall of a raised machine, stop engine, remove key, and engage windrower lift cylinder safety props before going under machine for any reason.

WARNING

Exercise caution when working around the blades. Blades are sharp and can cause serious injury. Wear gloves when handling blades.

1. Raise the header fully.
2. Shut down the engine, and remove the key from the ignition.
3. Engage windrower lift cylinder safety props. For instructions, refer to [3.2.1 Engaging and Disengaging Header Safety Props – M1240 Windrower, page 20](#).

MAINTENANCE AND SERVICING

4. Inspect rock guards for wear, cracks, damage, or distortion. Replace if worn to 75% or more of their original thickness.
5. Check for loose or missing fasteners; tighten or replace fasteners as needed.

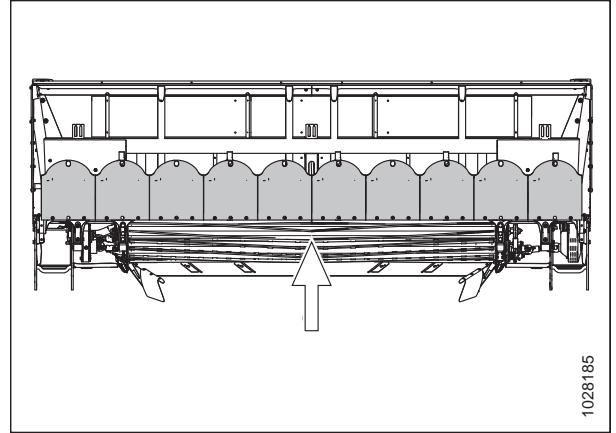


Figure 4.69: Rock Guards

Removing Rock Guards

1. Remove two hex head screws, washers, and lock nuts (A).

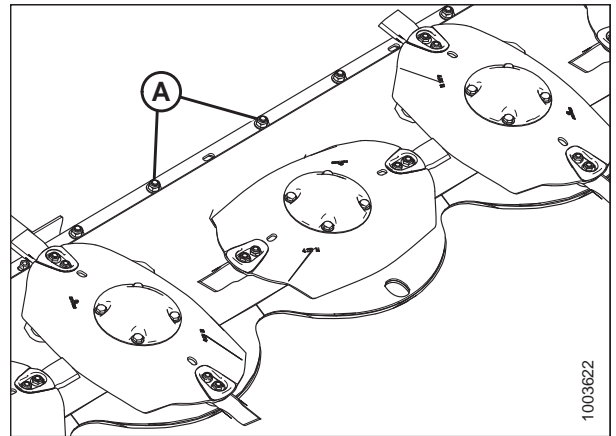


Figure 4.70: Rock Guards

2. Slide rock guard (A) forward (in the direction of arrow [B]) and remove.

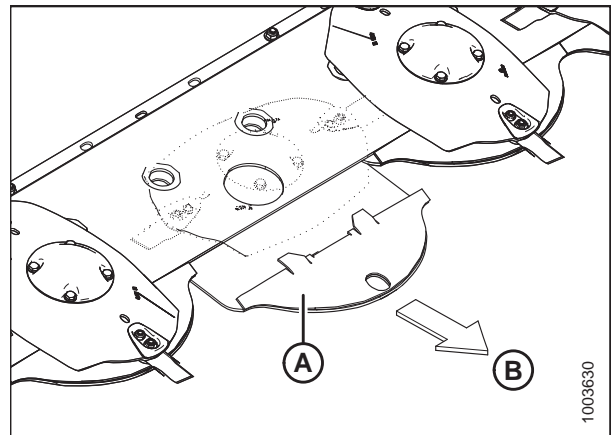


Figure 4.71: Rock Guards

Installing Rock Guards

1. Guide the rock guard onto the cutterbar until tabs (A) sit on top of the cutterbar and the bottom back bolt holes line up.

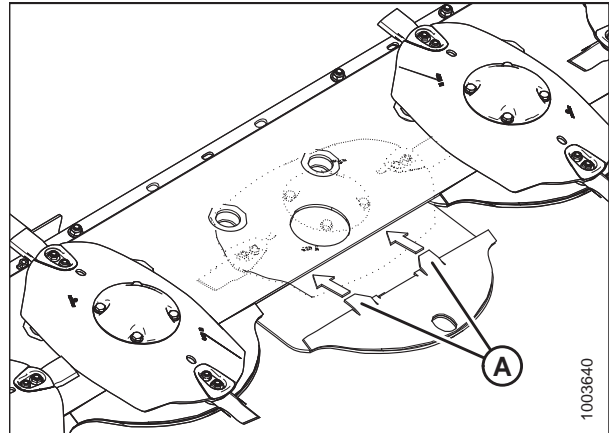


Figure 4.72: Rock Guards

2. Center the rock guard if there are gaps on either side, and install two hex head screws, washers, and lock nuts (A).

NOTE:

Lock nuts (A) and washers are installed on top.

3. Torque hardware to 68 Nm (50 lbf-ft).

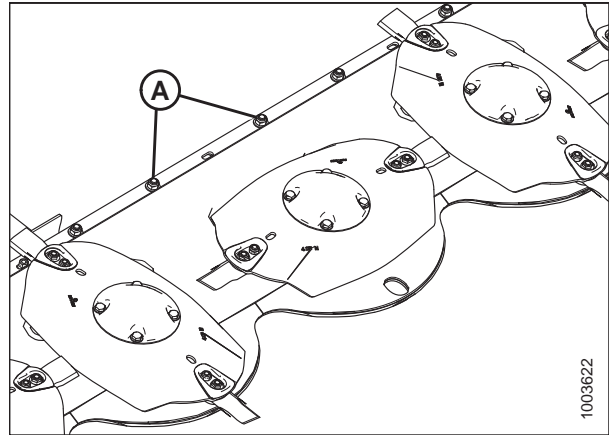


Figure 4.73: Rock Guards

4.6.7 Drums

Suspended and driven drums deliver cut material from the ends of the cutterbar and help maintain an even crop flow into the conditioner.

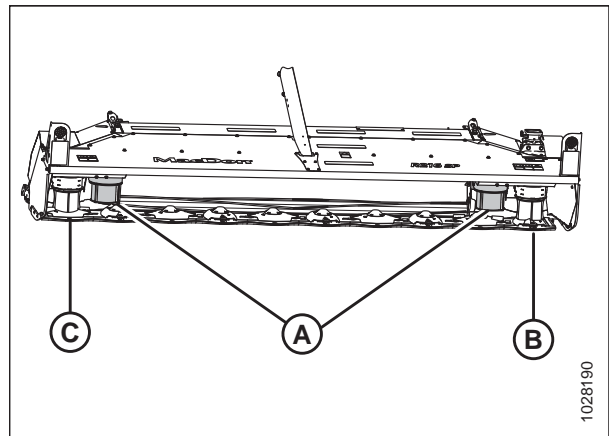


Figure 4.74: Driven and Suspended Drums

A - Suspended Drums

B - Left Driven Drum

C - Right Driven Drum

Inspecting Drums

Inspect drums daily for signs of damage or wear.

⚠ DANGER

To avoid bodily injury or death from unexpected start-up or fall of a raised machine, stop engine, remove key, and engage windrower lift cylinder safety props before going under machine for any reason.

⚠ CAUTION

Disc blades have two sharp cutting edges that can cause serious injury. Exercise caution and wear gloves when working with blades.

1. Lower the header fully.
2. Shut off the engine, and remove the key from the ignition.
3. Open cutterbar curtain (A). For instructions, refer to [3.6.1 Opening Cutterbar Curtain, page 45](#).

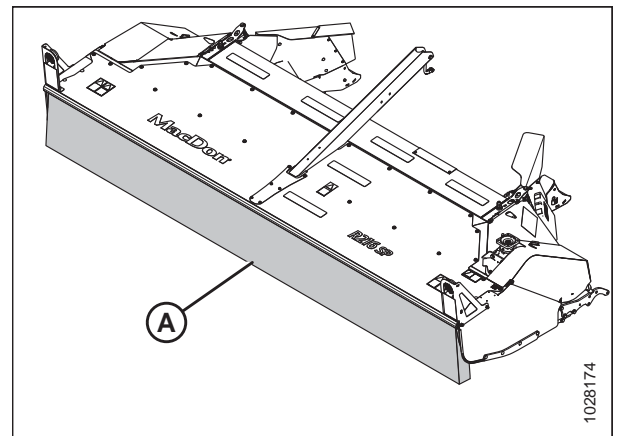


Figure 4.75: Cutterbar Curtain

4. Inspect drums (A), (B), and (C) for damage and wear, and replace if the drums are worn at the center to 50% or more of their original thickness. Do **NOT** repair drums.
5. Examine the drums for large dents. Replace dented drums to prevent an imbalance in the cutterbar.
6. Tighten or replace loose or missing fasteners.

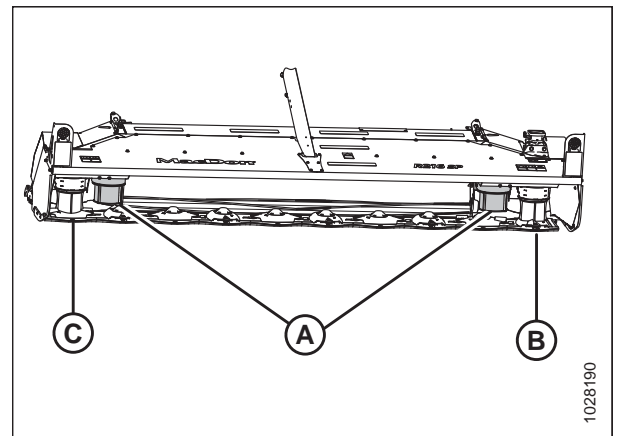


Figure 4.76: Driven and Suspended Drums

- A - Suspended Drums
- B - Left Driven Drum
- C - Right Driven Drum

MAINTENANCE AND SERVICING

7. Inspect the left and right driven drums for severe deformation. If the drum is deformed, dimension (A) must **NOT** exceed 48 mm (1 7/8 in.). Replace as required.

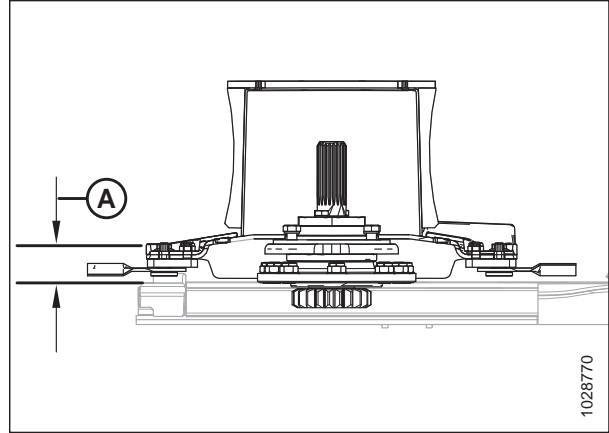


Figure 4.77: Driven Drum – Cutaway View

8. Inspect the left and right driven drums for abrasion (A). The wear limit for abrasion is reached when the material thickness of the drums is less than 3 mm (1/8 in.). Replace as required.

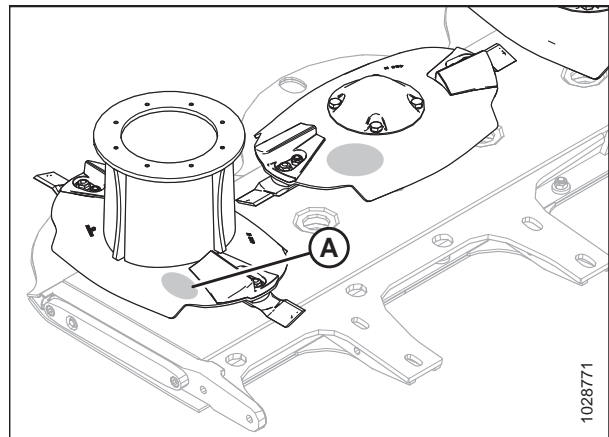


Figure 4.78: Driven Drum – View from Above

WARNING

Ensure the cutterbar is completely clear of foreign objects. Foreign objects can be ejected with considerable force when the machine is started and may result in serious injury or machine damage.

9. Close cutterbar curtain (A). For instructions, refer to [3.6.2 Closing Cutterbar Curtain](#), page 46.

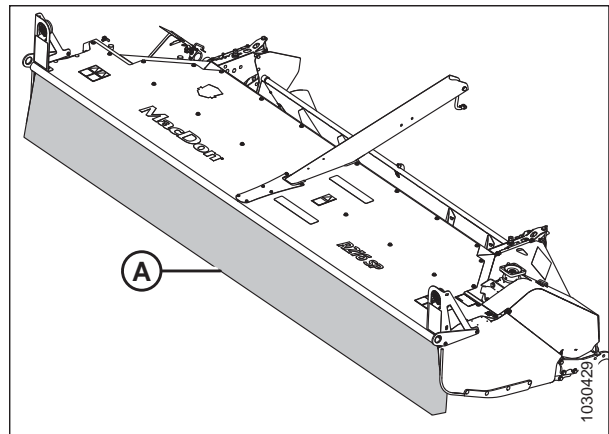


Figure 4.79: Cutterbar Curtain

Removing Suspended Drums

⚠ DANGER

To avoid bodily injury or death from unexpected start-up or fall of a raised machine, stop engine, remove key, and engage windrower lift cylinder safety props before going under machine for any reason.

⚠ WARNING

Exercise caution when working around the blades. Blades are sharp and can cause serious injury. Wear gloves when handling blades.

NOTE:

Illustrations show right suspended drum, left suspended drum is opposite.

1. Raise the header.
2. Shut down the engine, and remove the key from the ignition.
3. Engage the windrower lift cylinder safety props. For instructions, refer to [3.2.1 Engaging and Disengaging Header Safety Props – M1240 Windrower, page 20](#).
4. Open cutterbar curtain (A). For instructions, refer to [3.6.1 Opening Cutterbar Curtain, page 45](#).

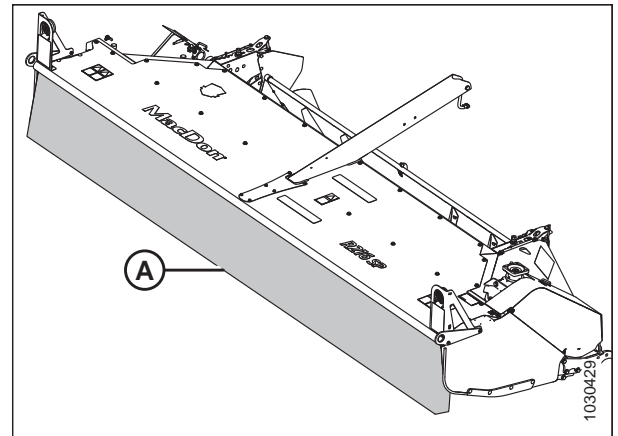


Figure 4.80: Cutterbar Curtain

5. Loosen two M10 hex flange head bolts (A). Remove driveline shield (B).

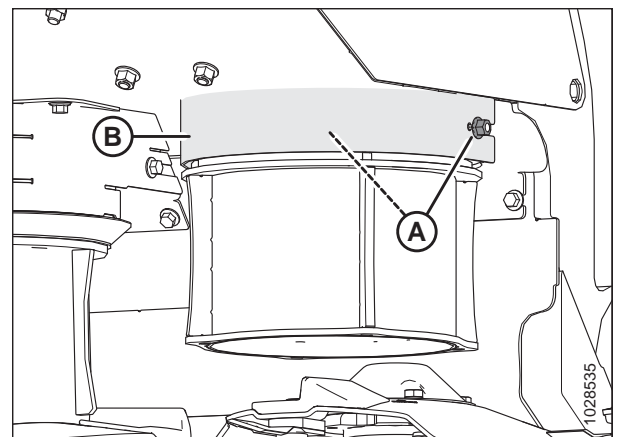


Figure 4.81: Driveline Shield

MAINTENANCE AND SERVICING

6. Remove four M12 hex flange head bolts (A) securing suspended drum (B) to shaft (C), and remove suspended drum (B).

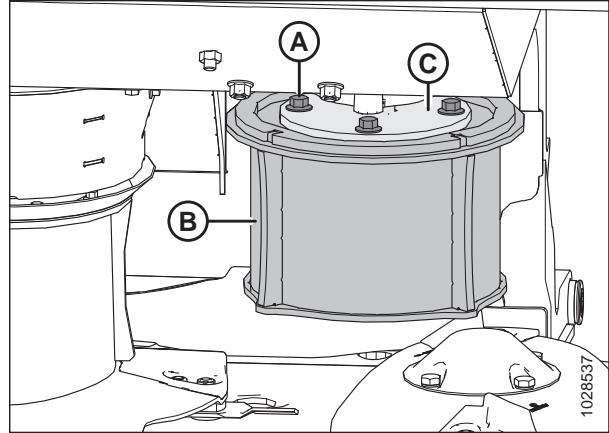


Figure 4.82: Suspended Drum

7. Remove two M10 hex flange head bolts (A) and remove driveline shield (B).
8. Repeat Step 5, page 117 to Step 7, page 118 to remove the opposite suspended drum.

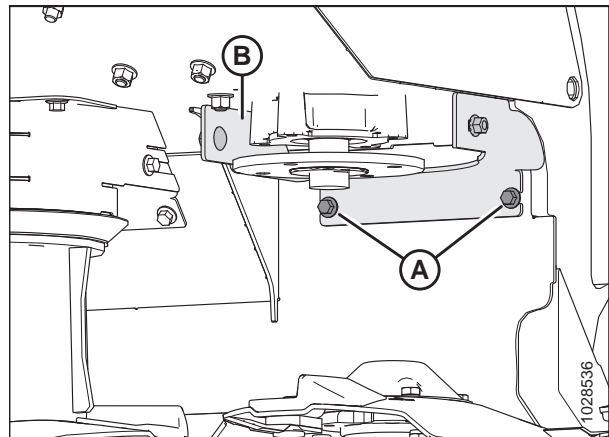


Figure 4.83: Driveline Shield

Installing Suspended Drums

⚠ DANGER

To avoid bodily injury or death from unexpected start-up or fall of a raised machine, stop engine, remove key, and engage windrower lift cylinder safety props before going under machine for any reason.

⚠ WARNING

Exercise caution when working around the blades. Blades are sharp and can cause serious injury. Wear gloves when handling blades.

NOTE:

Illustrations show the right suspended drum, the left suspended drum is opposite.

1. Position suspended drum (B) to shaft (C) as shown.
2. Apply a bead of medium-strength threadlocker (Loctite® 243 or equivalent) around the threads of four M12 hex flange head bolts (A). Use the bolts to secure suspended drum to shaft, and torque to 100 Nm (74 lbf·ft).

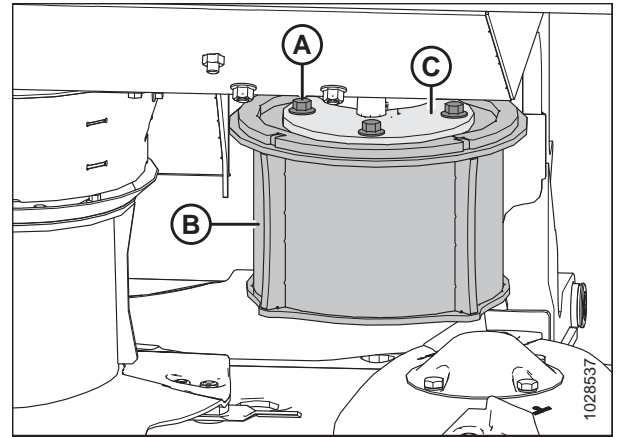


Figure 4.84: Suspended Drum

3. Position driveline shield (B) as shown. Use two M10 hex flange head bolts (A) to secure driveline shield (B) in place.
4. Repeat Step 1, page 119 to Step 3, page 119 to install the opposite suspended drum.

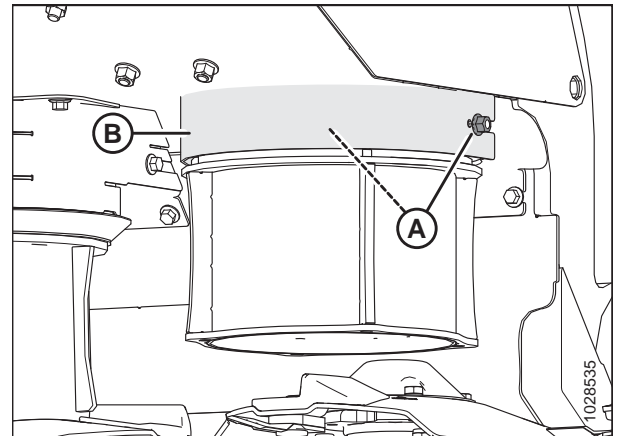


Figure 4.85: Driveline Shield

MAINTENANCE AND SERVICING

5. Close cutterbar curtain (A). For instructions, refer to [3.6.2 Closing Cutterbar Curtain, page 46](#).

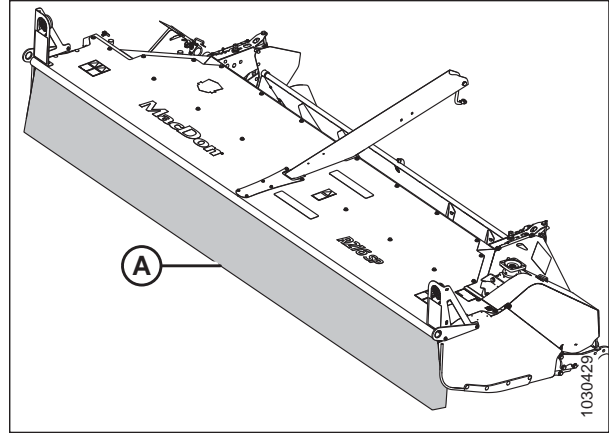


Figure 4.86: Cutterbar Curtain

Replacing Left Suspended Drum Drive Belt

DANGER

To avoid bodily injury or death from unexpected start-up or fall of a raised machine, stop engine, remove key, and engage windrower lift cylinder safety props before going under machine for any reason.

WARNING

Exercise caution when working around the blades. Blades are sharp and can cause serious injury. Wear gloves when handling blades.

1. Raise the header.
2. Shut down the engine, and remove the key from the ignition.
3. Engage the windrower lift cylinder safety props. For instructions, refer to [3.2.1 Engaging and Disengaging Header Safety Props – M1240 Windrower, page 20](#).
4. Open cutterbar curtain (A). For instructions, refer to [3.6.1 Opening Cutterbar Curtain, page 45](#).

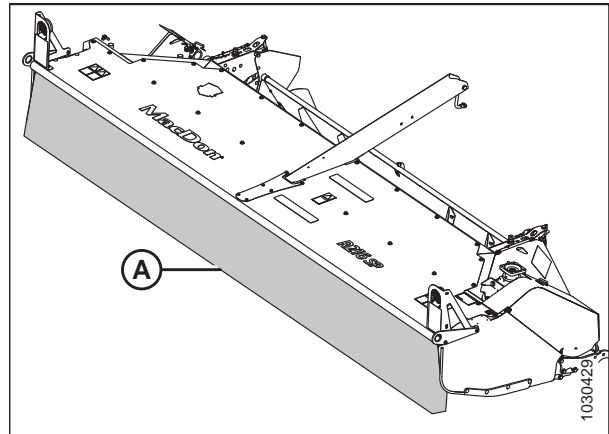


Figure 4.87: Cutterbar Curtain

Removing left suspended drive belt

5. On the left side of the header, remove two M10 hex flange bolts (A). Remove driveline shield (B).

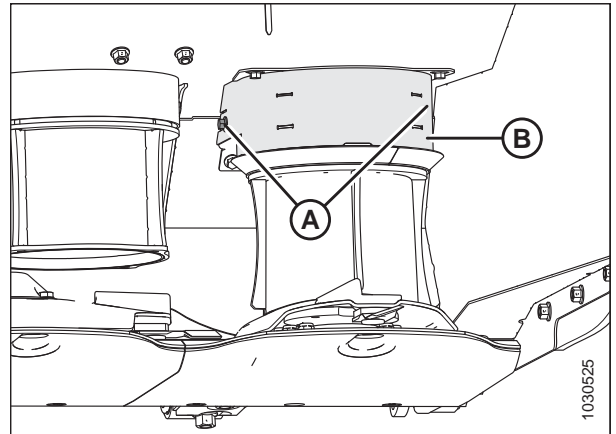


Figure 4.88: Left Driveline

6. Open left driveshield (A). For instructions, refer to [3.5.1 Opening Driveshields, page 42](#).

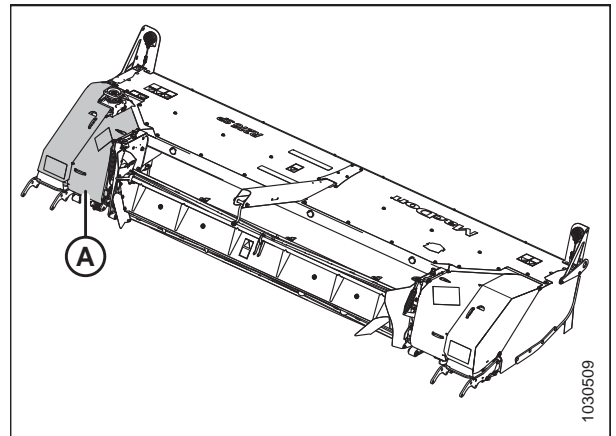


Figure 4.89: Left Driveshield

7. Loosen two bolts (A) at front.
8. Remove two bolts (B) and shield plate (C).
9. Remove four bolts (D) securing spindle spline to the gearbox hub.

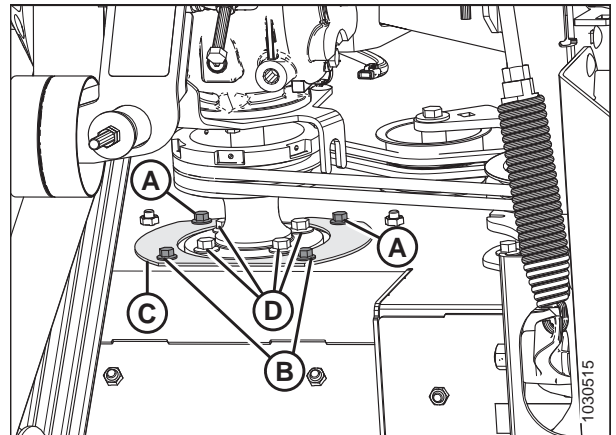


Figure 4.90: Gear Hub and Shield Plate

NOTE:

Removing the four bolts dismounts spindle spline (A) from the gearbox hub.

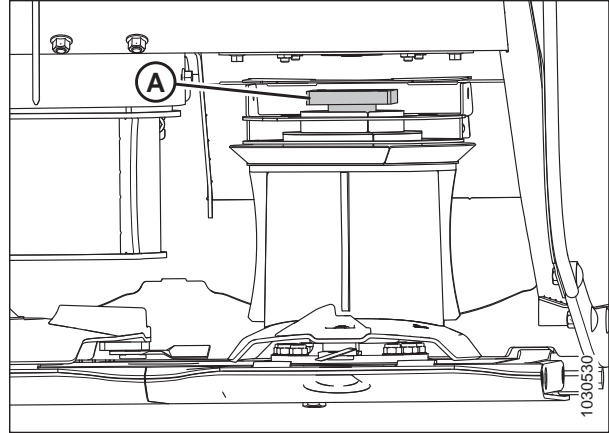


Figure 4.91: Left Driven Drum – Spindle Spline Dismounted

10. Using a ratchet, remove belt tension by rotating tensioner (A) clockwise.
11. Remove belt (B) from the pulley, and slide the belt through opening (C).
12. Remove the ratchet to release the tensioner.

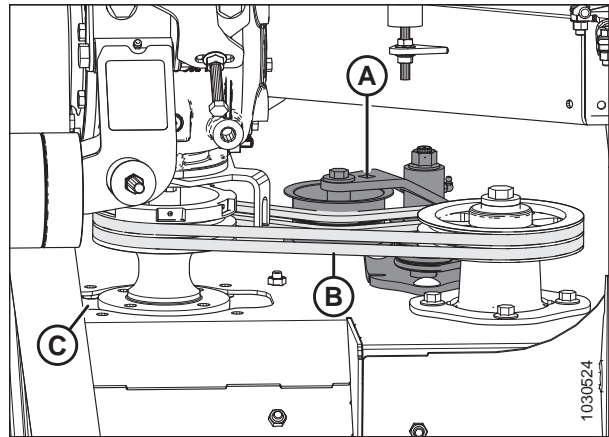


Figure 4.92: Left Drum Belts

Installing left suspended drive belt

13. Slide belt (A) through opening (B).
14. Using a ratchet, rotate tensioner (E) clockwise.
15. Position belt (A) on gearbox hub (D) and pulley (C) as shown.
16. Remove the ratchet to release tensioner (E).

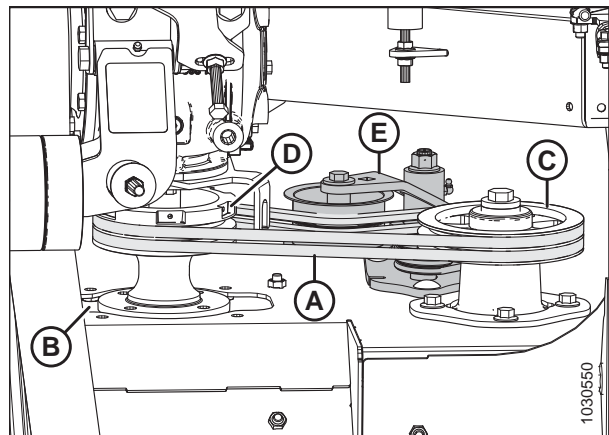


Figure 4.93: Left Drum Belts

MAINTENANCE AND SERVICING

17. Hold spindle spline (A) up and secure on gear hub (B) with four bolts (C).

NOTE:

Frame panel made transparent to show connection between spindle spline (A) and gear hub (B).

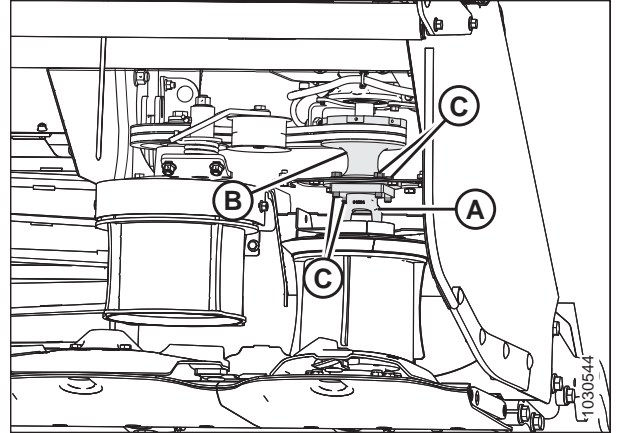


Figure 4.94: Left Driven Drum – Spindle Spline Dismounted

18. Slide shield plate (A) forward, and tighten two bolts (B).
19. Install and tighten two more bolts (C).

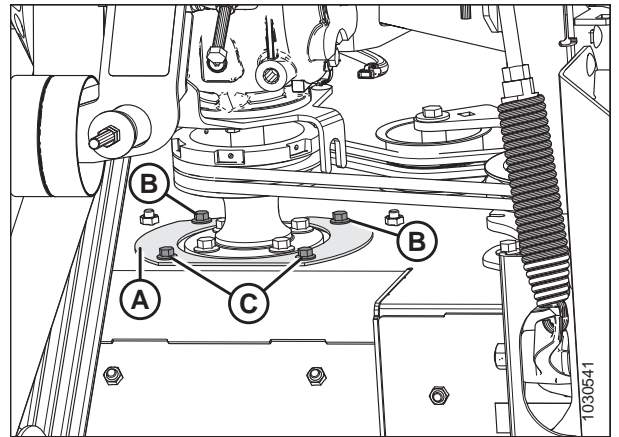


Figure 4.95: Gear Hub and Shield Plate

20. Close left driveshield (A). For instructions, refer to [3.5.2 Closing Driveshields, page 44](#).

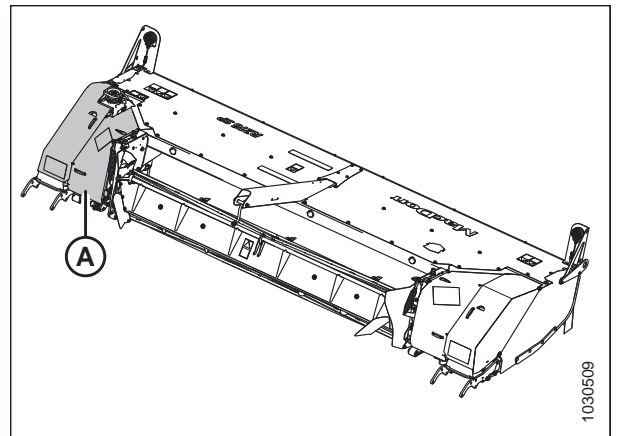


Figure 4.96: Left Driveshield

MAINTENANCE AND SERVICING

21. Install driveline shield (B) using two bolts (A).

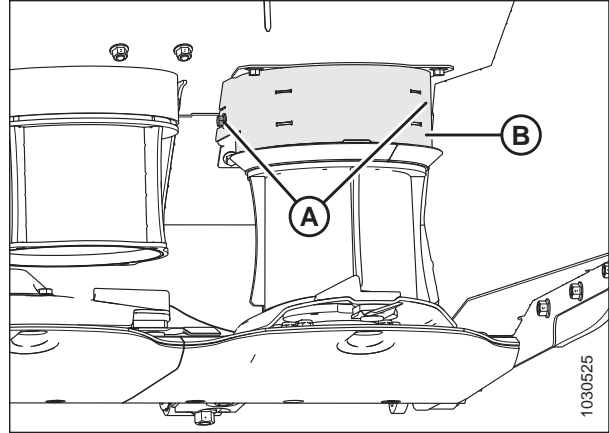


Figure 4.97: Left Driveline

22. Close cutterbar curtain (A). For instructions, refer to [3.6.2 Closing Cutterbar Curtain, page 46](#).
23. Disengage the windrower safety props. For instructions, refer to [3.2.1 Engaging and Disengaging Header Safety Props – M1240 Windrower, page 20](#).

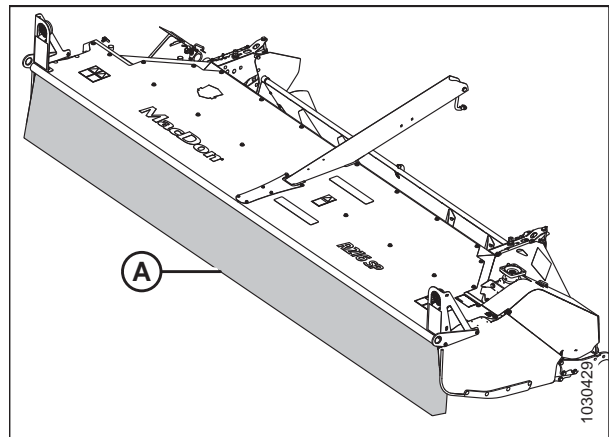


Figure 4.98: Cutterbar Curtain

Replacing Right Suspended Drum Drive Belt

DANGER

To avoid bodily injury or death from unexpected start-up or fall of a raised machine, stop engine, remove key, and engage windrower lift cylinder safety props before going under machine for any reason.

WARNING

Exercise caution when working around the blades. Blades are sharp and can cause serious injury. Wear gloves when handling blades.

1. Raise the header.
2. Shut down the engine, and remove the key from the ignition.
3. Engage the windrower lift cylinder safety props. For instructions, refer to [3.2.1 Engaging and Disengaging Header Safety Props – M1240 Windrower, page 20](#).

Removing right suspended drive belt

4. Open right driveshield (A). For instructions, refer to [3.5.1 Opening Driveshields, page 42](#).

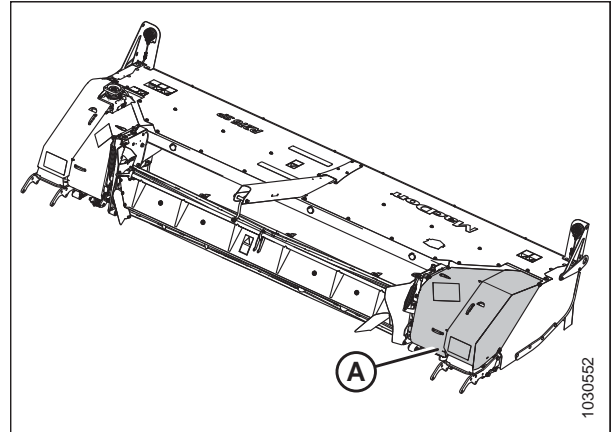


Figure 4.99: Right Driveshield

5. Using a ratchet, release belt tension by rotating counterclockwise on tensioner (A).
6. Remove belt (B) from the pulleys.

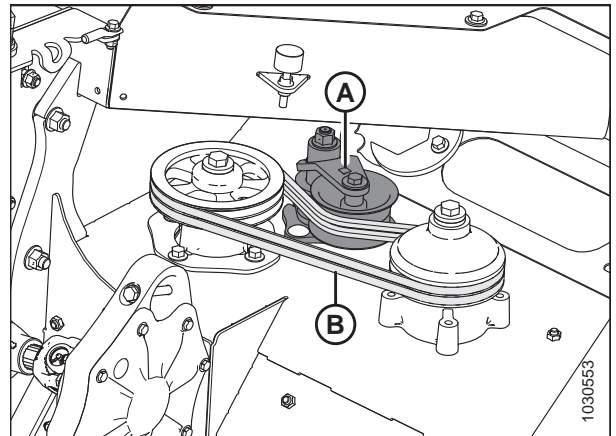


Figure 4.100: Right Drum Belts

Installing right suspended drive belt

7. Using a ratchet, rotate tensioner (A) counterclockwise to move it away from the pulleys.
8. Slide belt (B) on pulleys as shown.
9. Remove ratchet from tensioner to release tensioner.

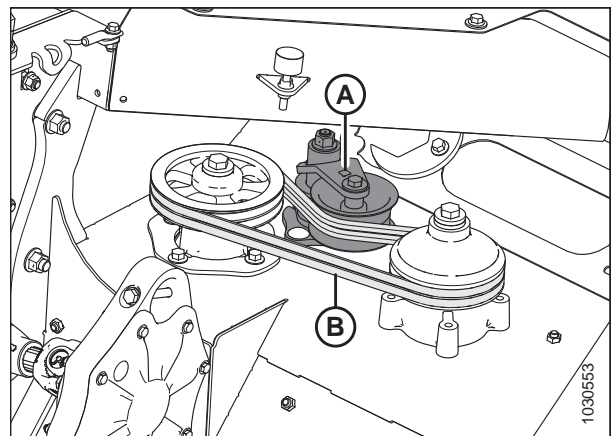


Figure 4.101: Right Drum Belts

MAINTENANCE AND SERVICING

10. Close right driveshield (A). For instructions, refer to [3.5.2 Closing Driveshields](#), page 44.
11. Disengage the windrower safety props. For instructions, refer to [3.2.1 Engaging and Disengaging Header Safety Props – M1240 Windrower](#), page 20.

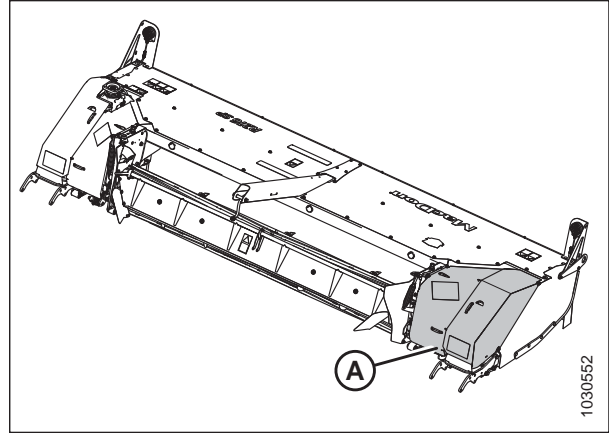


Figure 4.102: Right Driveshield

Removing Left Driven Drum and Driveline

DANGER

To avoid bodily injury or death from unexpected start-up or fall of a raised machine, stop engine, remove key, and engage windrower lift cylinder safety props before going under machine for any reason.

WARNING

Exercise caution when working around the blades. Blades are sharp and can cause serious injury. Wear gloves when handling blades.

1. Raise the header.
2. Shut down the engine, and remove the key from the ignition.
3. Engage windrower lift cylinder safety props. For instructions, refer to [3.2.1 Engaging and Disengaging Header Safety Props – M1240 Windrower](#), page 20.
4. Open cutterbar curtain (A). For instructions, refer to [3.6.1 Opening Cutterbar Curtain](#), page 45.

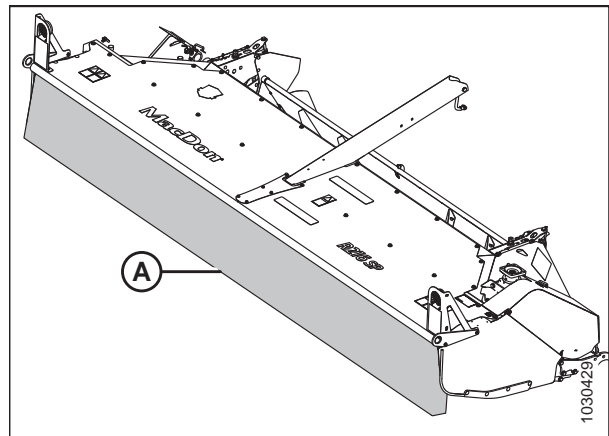


Figure 4.103: Cutterbar Curtain

MAINTENANCE AND SERVICING

5. Remove two M10 hex flange head bolts (A) and loosen two M10 hex flange head bolts (B). Remove driveline shield (C).

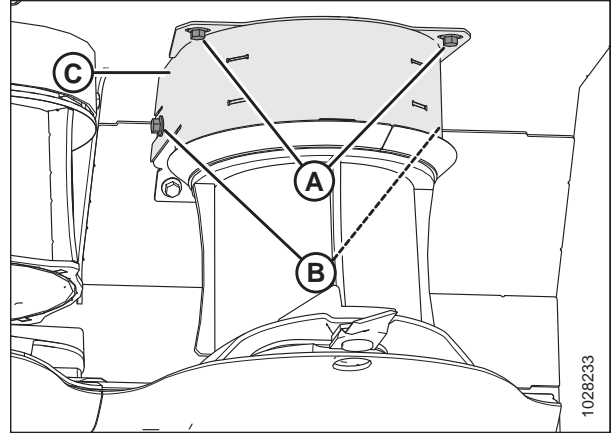


Figure 4.104: Driveline Shield

6. Remove two M10 hex flange head bolts (A) and remove driveline shield (B).

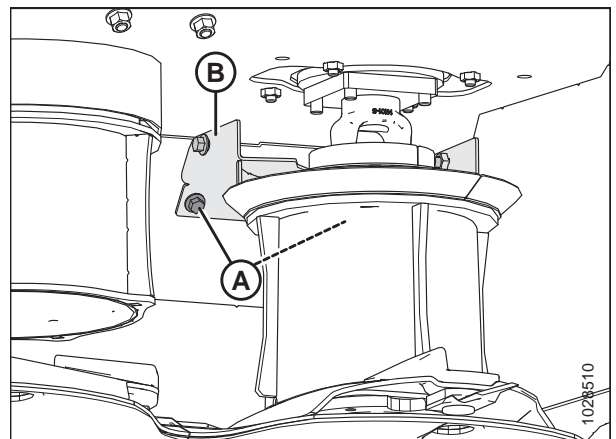


Figure 4.105: Driveline Shield

7. Remove eight M8 hex flange head bolts (A) and two drum shields (B).

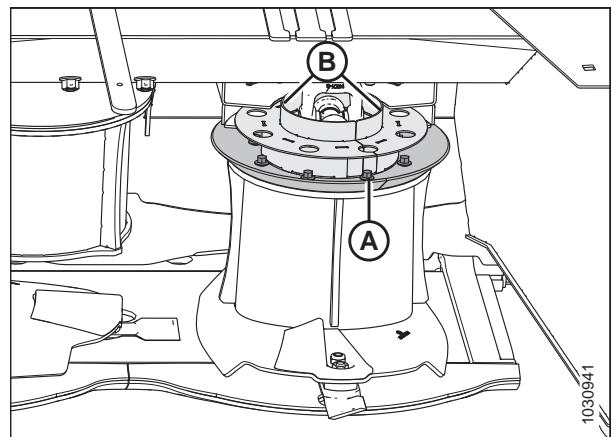


Figure 4.106: Driveline Shields

MAINTENANCE AND SERVICING

- Remove four M12 hex flange head bolts (A) securing driveline assembly (B) to hub drive (C).

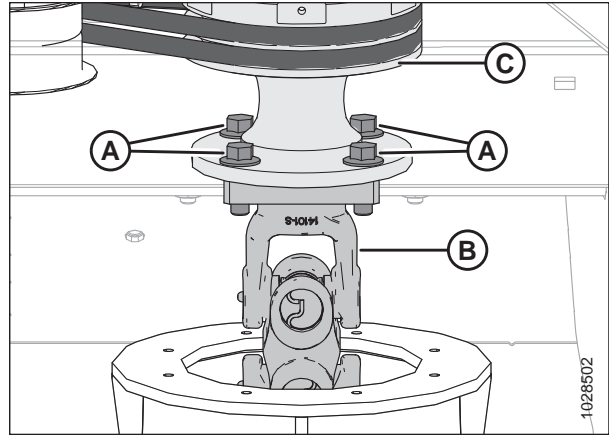


Figure 4.107: Driveline

- Slide driveline (A) downwards, tilt it to the side, and pull the driveline up and out of the drum.

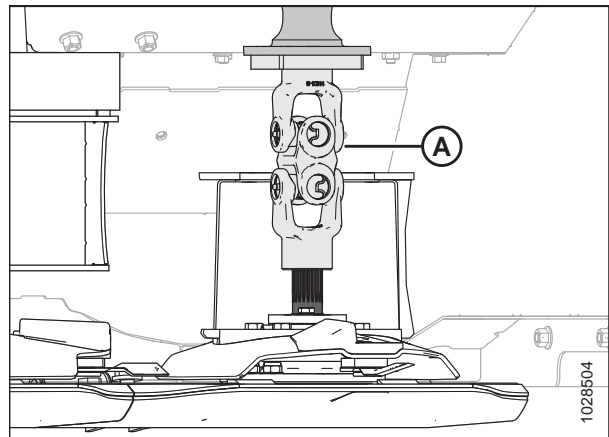


Figure 4.108: Drum and Tube Shield – Cutaway View

- Use an 18 mm deep socket and an extension to remove four M12 bolts (A) and washers holding drum disc assembly (B) in place.
- Remove drum disc assembly (B).

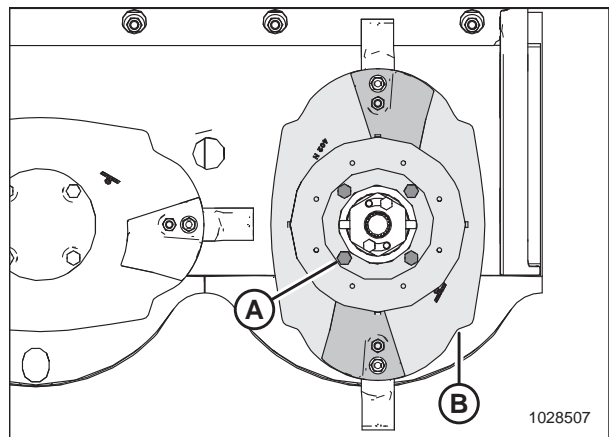


Figure 4.109: Driven Drum – View from Above

Installing Left Driven Drum and Driveline

⚠ DANGER

To avoid bodily injury or death from unexpected start-up or fall of a raised machine, stop engine, remove key, and engage windrower lift cylinder safety props before going under machine for any reason.

⚠ WARNING

Exercise caution when working around the blades. Blades are sharp and can cause serious injury. Wear gloves when handling blades.

1. Ensure spacer (A) is on the spindle.
2. Apply an anti-seize compound to spindle splines (B).

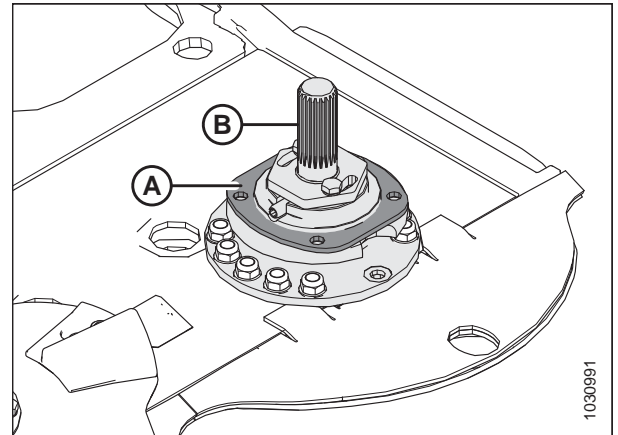


Figure 4.110: Driven Spindle

3. Position drum disc assembly (B) over the spindle ensuring disc is rotated 90° from the neighboring disc.
4. Using an 18 mm deep socket and an extension, secure the drum disc in place with four M12 bolts (A) and washers. Torque hardware to 85 Nm (63 lbf·ft).

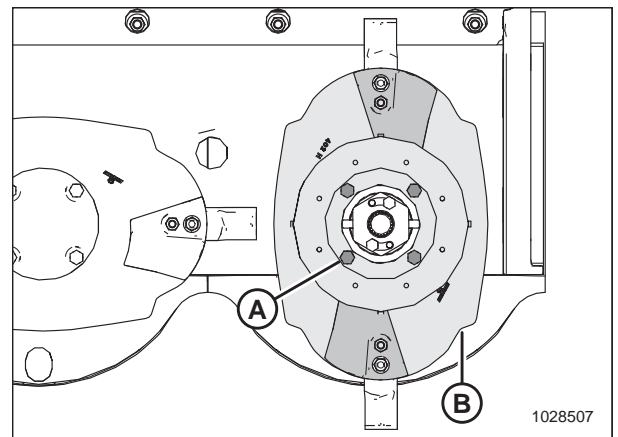


Figure 4.111: Driven Drum – View from Above

MAINTENANCE AND SERVICING

5. Insert driveline (B) at an angle and guide it past hub drive (C) and drum (D).
6. Insert splined spindle end (A) into the splined bore of driveline (B).

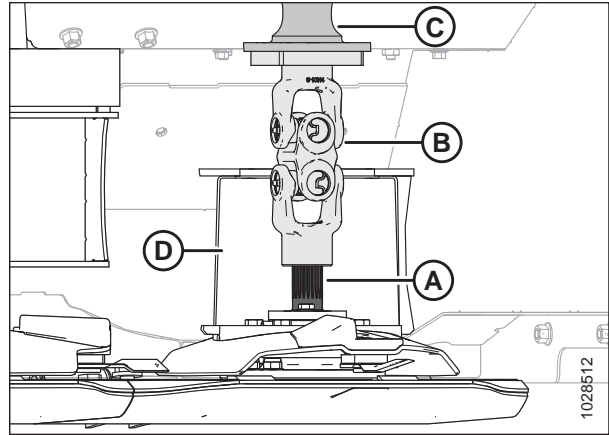


Figure 4.112: Drum and Tube Shield – Cutaway View

7. Place a bead of high-strength threadlocker (Loctite® 262 or equivalent) around the threads of four M12 hex flange head bolts (A). Use the bolts to secure driveline assembly (B) to hub drive (C). Torque bolts to 100 Nm (74 lbf-ft).

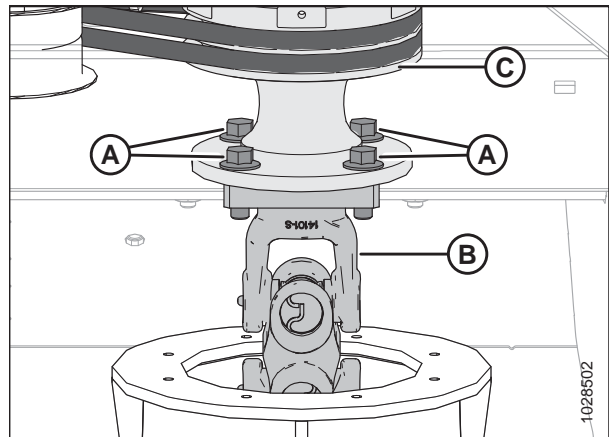


Figure 4.113: Driveline

8. Position driveline shield (B) as shown. Apply a bead of medium-strength threadlocker (Loctite® 243 or equivalent) around the threads of two M10 hex flange head bolts (A). Use bolts (A) to secure driveline shield (B) in place.

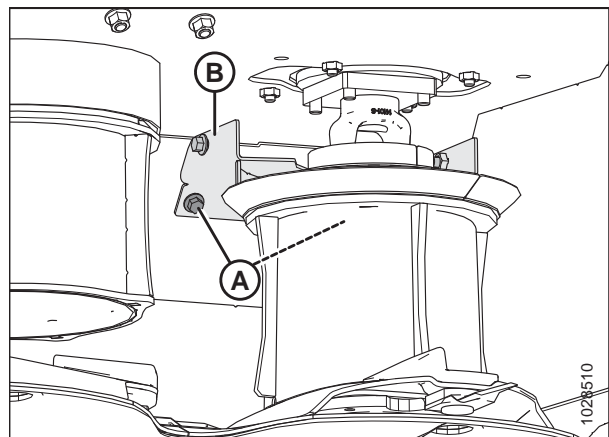


Figure 4.114: Driveline Shield

MAINTENANCE AND SERVICING

- Position two drum shields (B) as shown. Apply a bead of medium-strength threadlocker (Loctite® 243 or equivalent) around the threads of eight M8 hex flange head bolts (A). Use the bolts to secure the drum shields in place. Torque hardware to 27 Nm (20 lbf·ft).

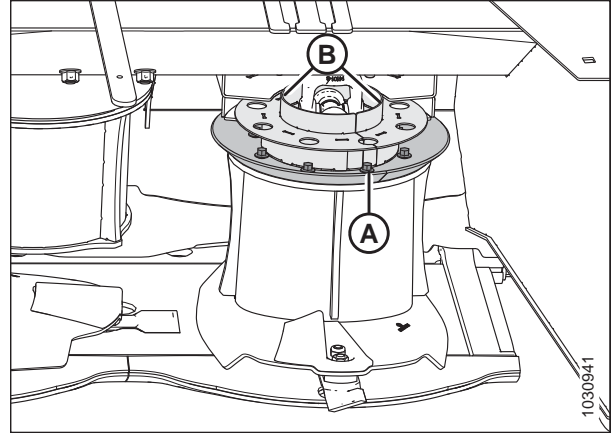


Figure 4.115: Driveline Shields

- Position driveline shield (C) as shown. Apply a bead of medium-strength threadlocker (Loctite® 243 or equivalent) around the threads of two M10 hex flange head bolts (A) and two M10 hex flange head bolts (B). Use bolts (A) and (B) to secure driveline shield (C) in place.

- Tighten all hardware on driveline shields.

WARNING

Ensure the cutterbar is completely clear of foreign objects. Foreign objects can be ejected with considerable force when the machine is started and may result in serious injury or machine damage.

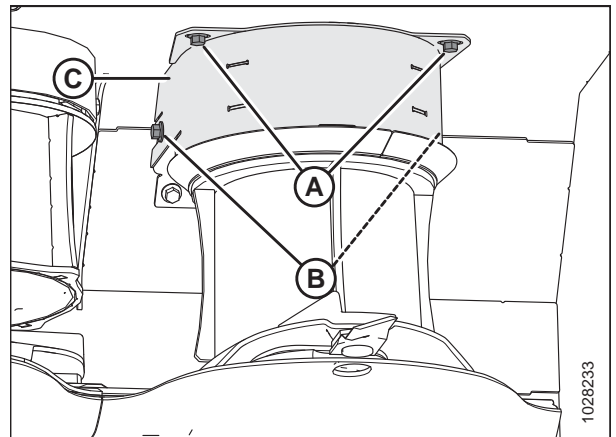


Figure 4.116: Driveline Shield

- Close cutterbar curtain (A). For instructions, refer to [3.6.2 Closing Cutterbar Curtain](#), page 46.

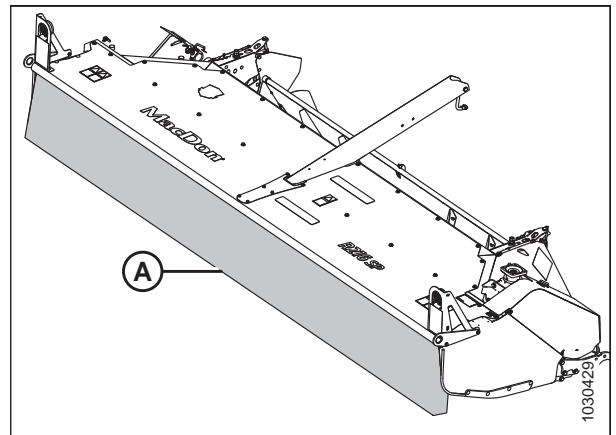


Figure 4.117: Cutterbar Curtain

Removing Right Driven Drum and Driveline

⚠ DANGER

To avoid bodily injury or death from unexpected start-up or fall of a raised machine, stop engine, remove key, and engage windrower lift cylinder safety props before going under machine for any reason.

⚠ WARNING

Exercise caution when working around the blades. Blades are sharp and can cause serious injury. Wear gloves when handling blades.

1. Raise the header.
2. Shut down the engine, and remove the key from the ignition.
3. Engage the windrower safety props. For instructions, refer to [3.2.1 Engaging and Disengaging Header Safety Props – M1240 Windrower, page 20](#).
4. Open cutterbar curtain (A). For instructions, refer to [3.6.1 Opening Cutterbar Curtain, page 45](#).

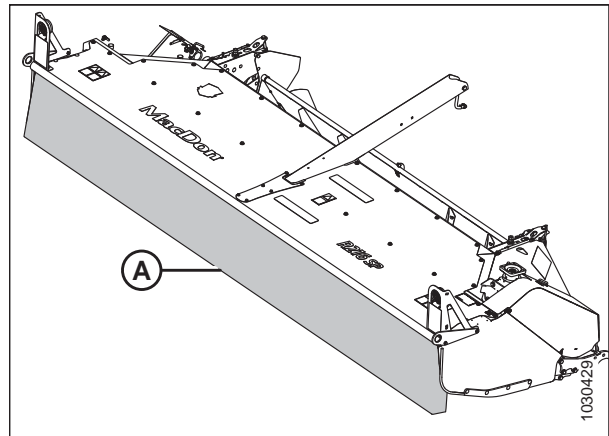


Figure 4.118: Cutterbar Curtain

5. Remove two M10 hex flange head bolts (A) and loosen two M10 hex flange head bolts (B). Remove driveline shield (C).

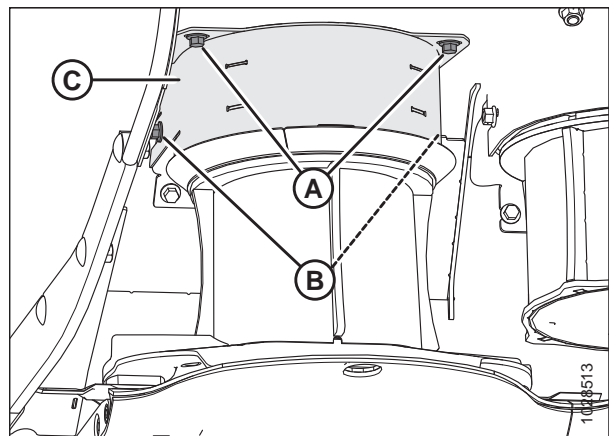


Figure 4.119: Driveline Shield

MAINTENANCE AND SERVICING

6. Remove eight M8 hex flange head bolts (A) and two drum shields (B).

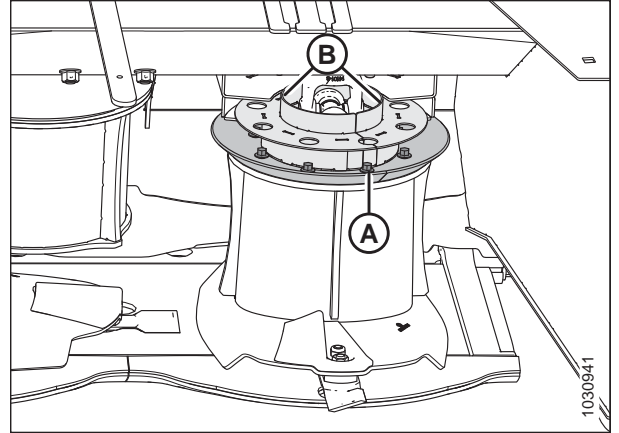


Figure 4.120: Driveline Shields

7. Remove two M10 hex flange head bolts (A) and remove driveline shield (B).

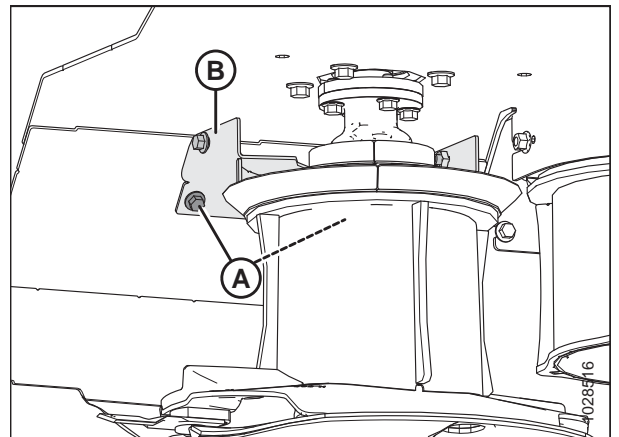


Figure 4.121: Driveline Shield

8. Remove four M10 hex flange head bolts (A) securing driveline assembly (B) to hub drive (C).

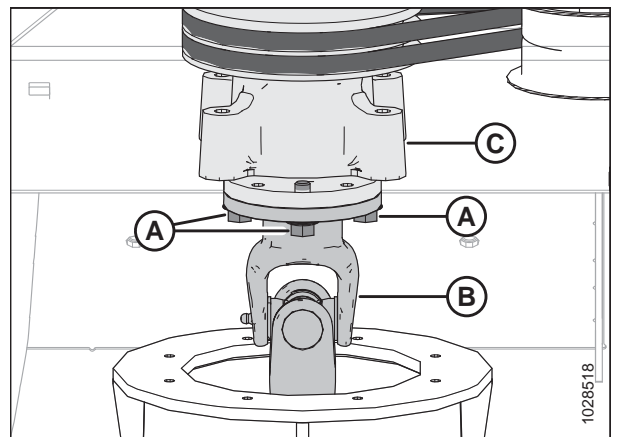


Figure 4.122: Driveline

MAINTENANCE AND SERVICING

- Slide driveline (A) downwards, tilt it to the side, and pull the driveline up and out of the drum.

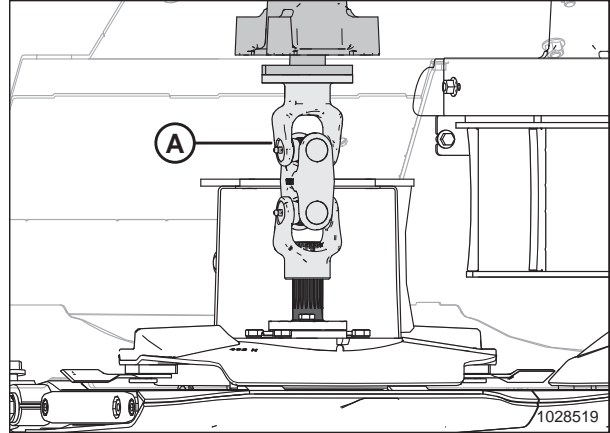


Figure 4.123: Drum and Tube Shield – Cutaway View

- Use an 18 mm deep socket and an extension to remove four M12 bolts (A) and washers holding drum disc assembly (B) in place.

- Remove drum disc assembly (B).

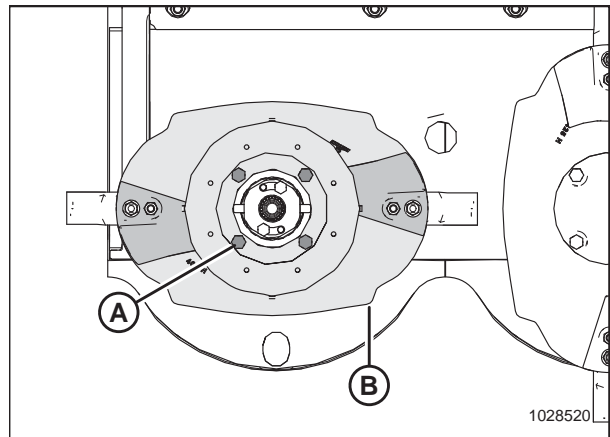


Figure 4.124: Right Driven Drum – View from Above

Installing Right Driven Drum and Driveline

⚠ DANGER

To avoid bodily injury or death from unexpected start-up or fall of a raised machine, stop engine, remove key, and engage windrower lift cylinder safety props before going under machine for any reason.

⚠ WARNING

Exercise caution when working around the blades. Blades are sharp and can cause serious injury. Wear gloves when handling blades.

1. Ensure spacer (A) is on the spindle.
2. Apply an anti-seize compound to spindle splines (B).

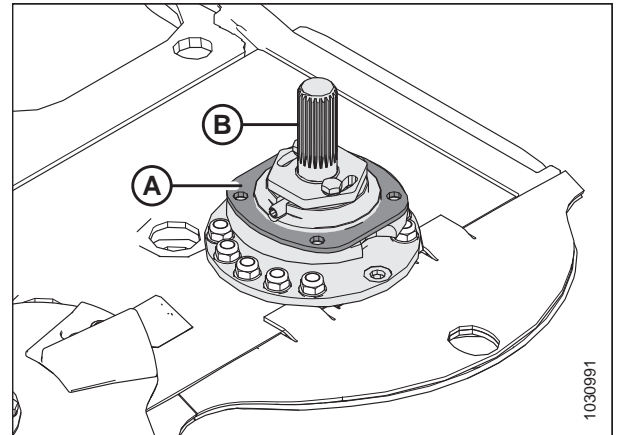


Figure 4.125: Right Driven Spindle

3. Position drum disc assembly (B) 90° from neighboring disc.
4. Use an 18 mm deep socket and an extension to install four M12 bolts (A) and washers that hold the drum disc in place. Torque hardware to 85 Nm (63 lbf·ft).

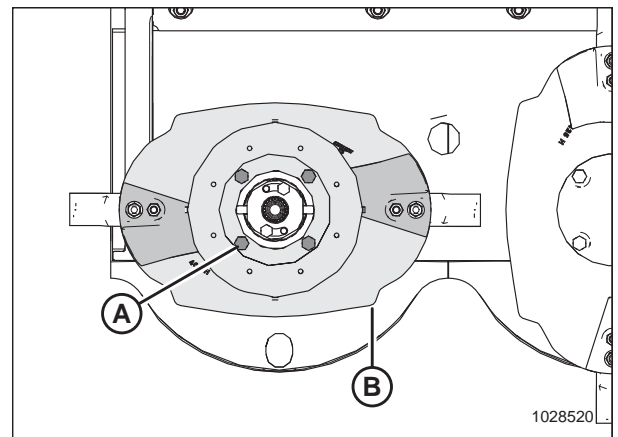


Figure 4.126: Right Driven Drum – View from Above

MAINTENANCE AND SERVICING

5. Insert driveline (B) at an angle and guide it past hub drive (C) and drum (D).
6. Insert splined spindle end (A) into the splined bore of driveline (B).

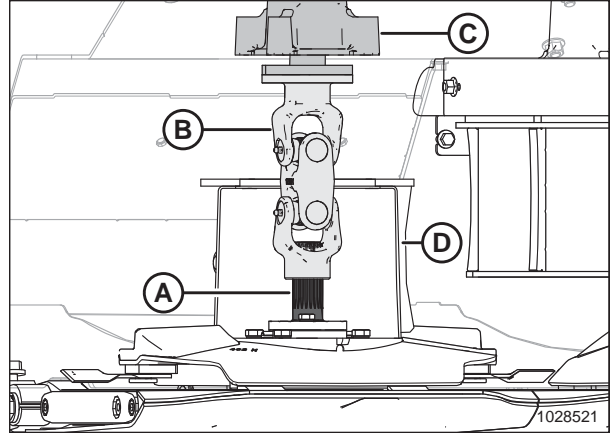


Figure 4.127: Drum and Tube Shield – Cutaway View

7. Place a bead of high-strength threadlocker (Loctite® 262 or equivalent) around the threads of four M10 hex flange head bolts (A). Use the bolts to secure driveline assembly (B) to hub drive (C). Torque the bolts to 57.5 Nm (42 lbf-ft).

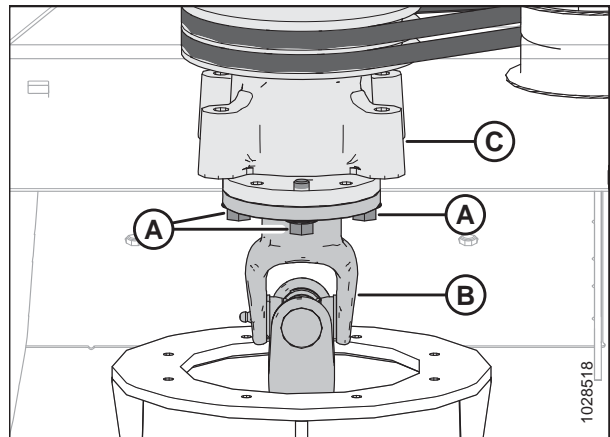


Figure 4.128: Driveline

8. Position driveline shield (B) as shown. Apply a bead of medium-strength threadlocker (Loctite® 243 or equivalent) around the threads of two M10 hex flange head bolts (A). Use M10 hex flange head bolts (A) to secure driveline shield (B) in place.

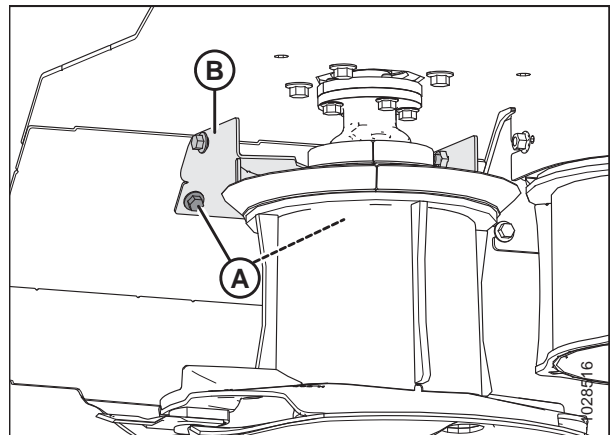


Figure 4.129: Driveline Shield

MAINTENANCE AND SERVICING

- Position two drum shields (B) as shown. Apply a bead of medium-strength threadlocker (Loctite® 243 or equivalent) around the threads of eight M8 hex flange head bolts (A). Use the bolts to secure the drum shields in place. Torque hardware to 27 Nm (20 lbf·ft).

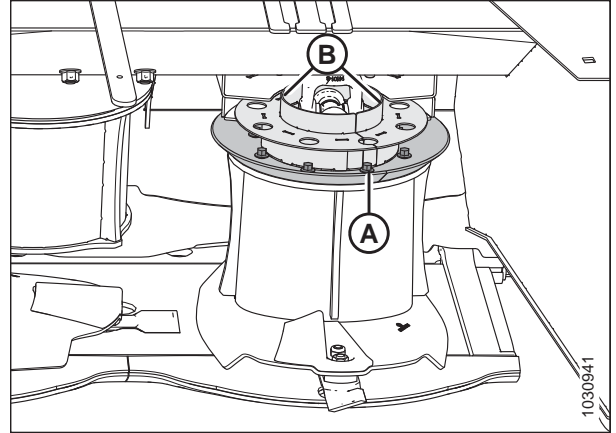


Figure 4.130: Driveline Shields

- Position driveline shield (C) as shown. Apply a bead of medium-strength threadlocker (Loctite® 243 or equivalent) around the threads of two M10 hex flange head bolts (A) and two M10 hex flange head bolts (B). Use bolts (A) and (B) to secure driveline shield (C) in place.

- Tighten all hardware on driveline shields.

WARNING

Ensure the cutterbar is completely clear of foreign objects. Foreign objects can be ejected with considerable force when the machine is started and may result in serious injury or machine damage.

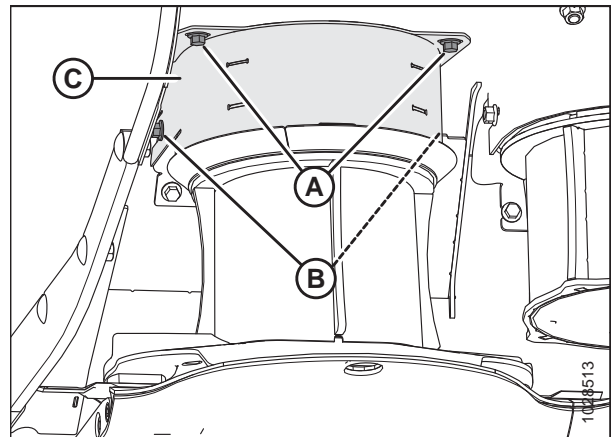


Figure 4.131: Driveline Shield

- Close cutterbar curtain (A). For instructions, refer to [3.6.2 Closing Cutterbar Curtain, page 46](#).

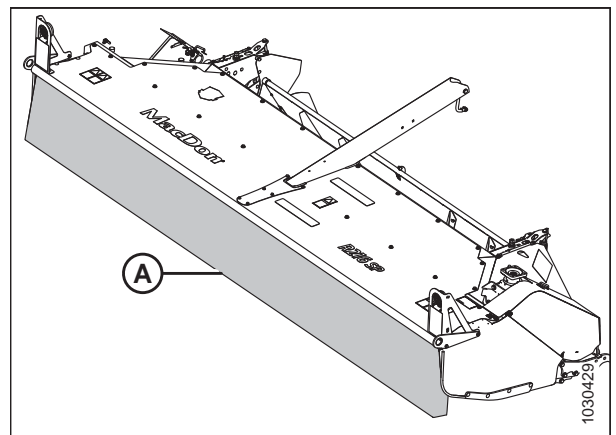


Figure 4.132: Cutterbar Curtain

4.6.8 Cutterbar Spindle Shear Pin

To prevent damage to the cutterbar and drive systems, each disc is attached to a spindle containing shear pin (A).

If the disc contacts a large object such as a stone or stump, the pin will shear and the disc will stop rotating and move upwards while remaining attached to the spindle with snap ring (B).

IMPORTANT:

Ensure correct orientation of the shear pins during replacement:

- Spindles that rotate **clockwise** have right-leading threading.
- Spindles that rotate **counterclockwise** have left-leading threading.

NOTE:

Once a spindle has risen due to shear pin failure, the spindle's bearing will become unloaded. Do **NOT** replace the spindle due to excessive play. Check play after torquing spindle nut and replacing damaged shear pins.

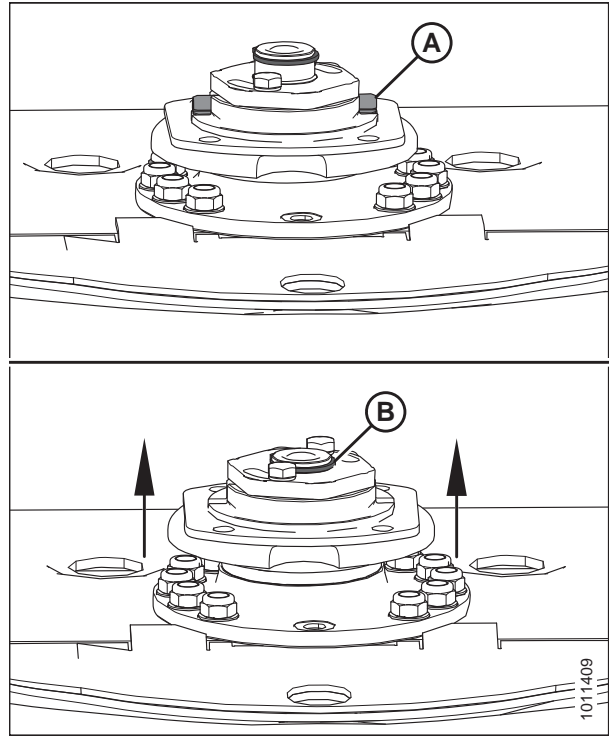


Figure 4.133: Cutterbar Spindles

NOTE:

A special spindle-nut wrench (A) is located under the panel on the right side of the header. This tool is used to loosen and tighten the spindle nuts.

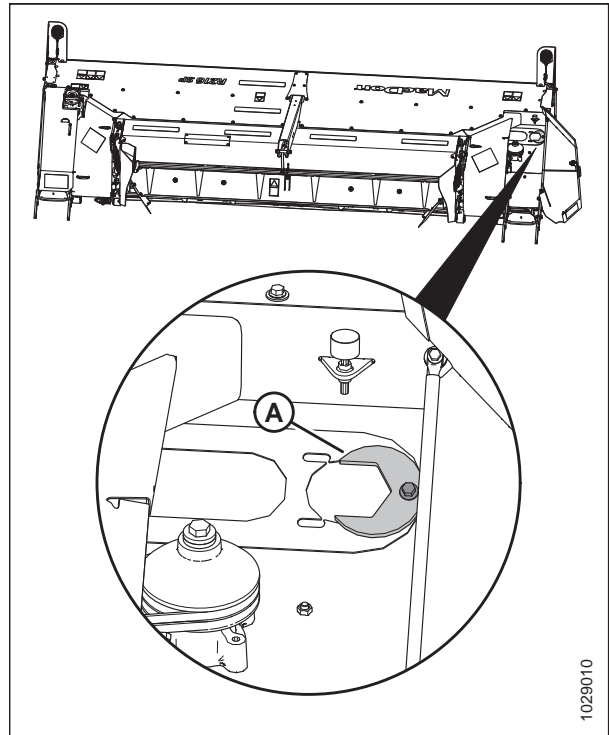


Figure 4.134: Safecut Spindle-Nut Wrench

Removing Cutterbar Spindle Shear Pin

WARNING

To avoid bodily injury or death from unexpected startup of the machine, always stop the engine and remove the key from the ignition before leaving the operator's seat for any reason.

CAUTION

Disc blades have two sharp cutting edges that can cause serious injury. Exercise caution and wear gloves when working with blades.

1. Raise the header fully.
2. Shut off the engine, and remove the key from the ignition.
3. Engage the windrower lift safety props. For instructions, refer to [3.2.1 Engaging and Disengaging Header Safety Props – M1240 Windrower, page 20](#).
4. Open cutterbar curtain (A). For instructions, refer to [3.6.1 Opening Cutterbar Curtain, page 45](#).
5. Clean any debris from the work area.

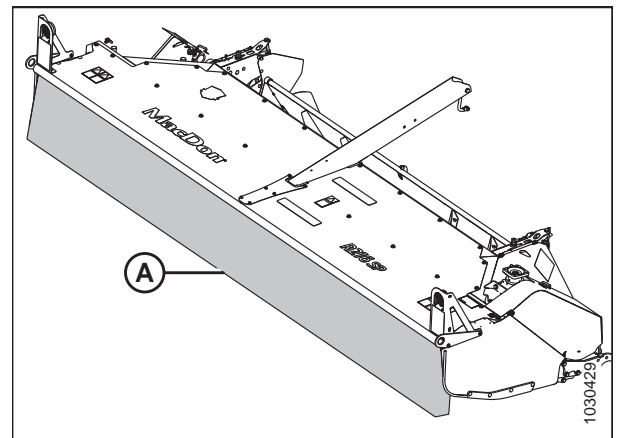


Figure 4.135: Cutterbar Curtain

6. Refer to the applicable disc removal procedure for the type of disc with a broken shear pin:
 - To remove cutterbar disc (A), refer to [Removing Cutterbar Discs, page 90](#).
 - To remove left driven drum (B), refer to [Removing Left Driven Drum and Driveline, page 126](#).
 - To remove right driven drum (C), refer to [Removing Right Driven Drum and Driveline, page 132](#).

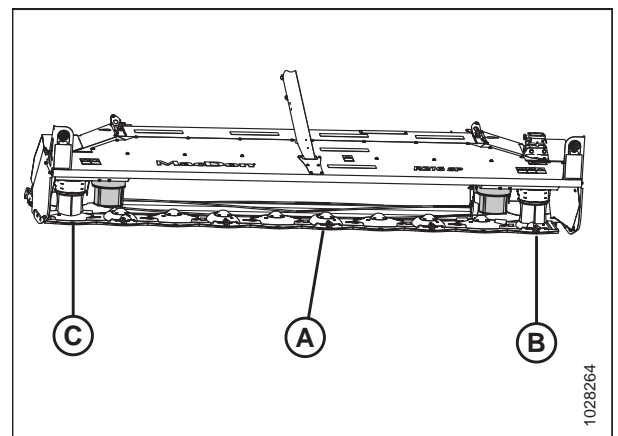


Figure 4.136: Cutterbar Disc and Driven Drums

MAINTENANCE AND SERVICING

7. Remove spacer plate (A) and retaining ring (B).

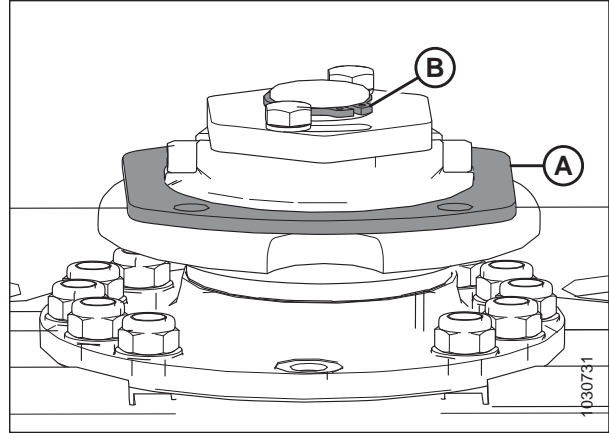


Figure 4.137: Cutterbar Spindle

8. Remove the M12 bolt and remove safecut spindle-nut wrench (A) from its storage location.

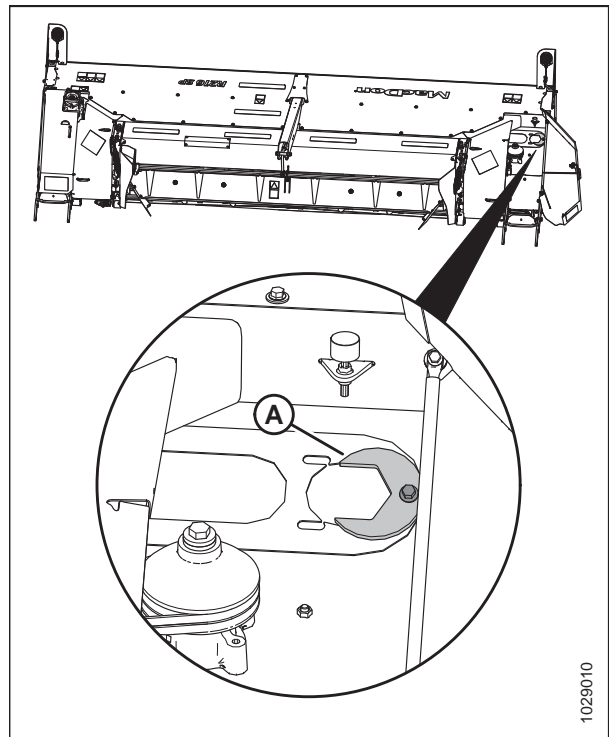


Figure 4.138: Safecut Spindle-Nut Wrench

MAINTENANCE AND SERVICING

IMPORTANT:

- Spindles that rotate clockwise have right-leading threading and a smooth top on spindle gear shaft (A).
- Spindles that rotate counterclockwise have left-leading threading and machined grooves on spindle gear shaft (B) and nut (C).
- If a spindle's position in the cutterbar has changed, the rotational direction of that spindle **MUST** remain the same (that is, a clockwise spindle must maintain its clockwise rotation).
- Failure to maintain a proper rotation pattern can result in damage to the spindle and/or cutterbar components.

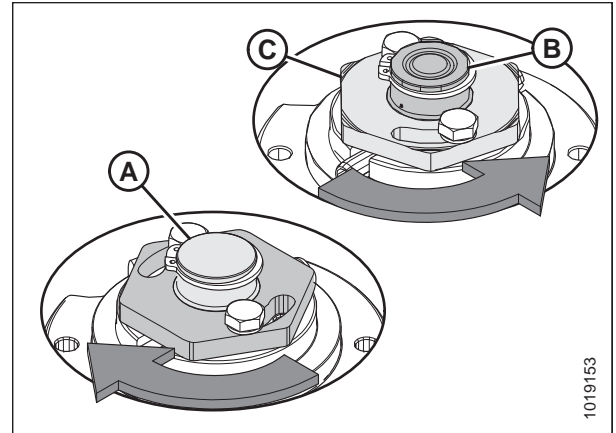


Figure 4.139: Cutterbar Spindles

9. Remove two M10 bolts and washers (A).
10. Inspect the threads of two M10 bolts (A), and replace bolts if damaged.

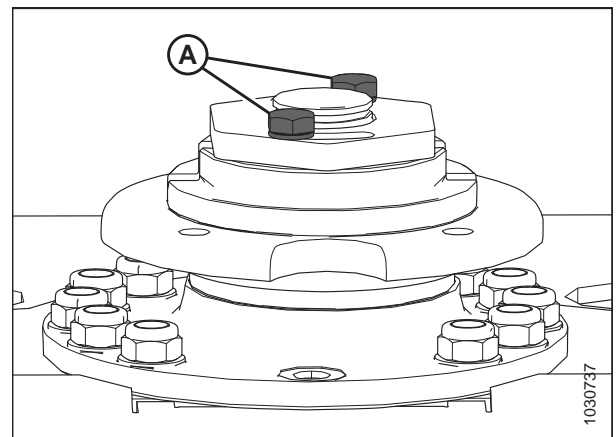


Figure 4.140: Cutterbar Spindle

11. Use the safecut spindle-nut wrench to remove nut (A).
12. Remove hub (B). Inspect hub for damage, and replace if necessary.

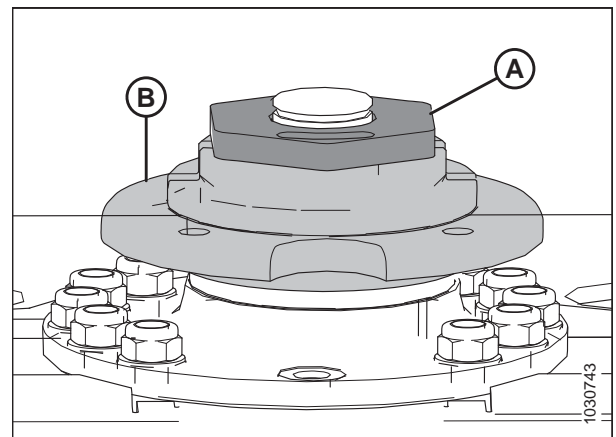


Figure 4.141: Cutterbar Spindle

MAINTENANCE AND SERVICING

13. Remove damaged shear pins (A) using pin punch (B).

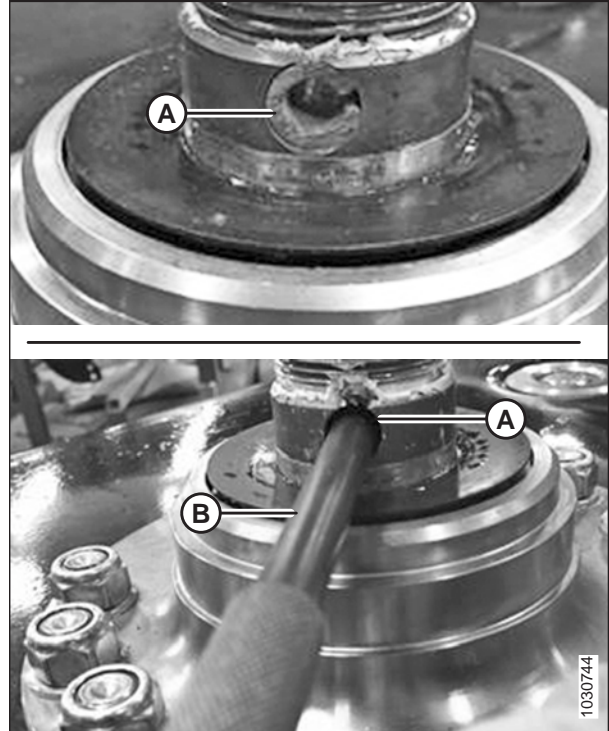


Figure 4.142: Removing Shear Pin

14. Remove and clean Belleville washer (A).

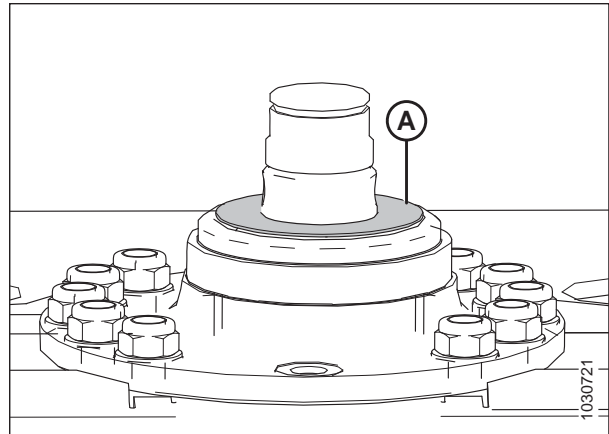


Figure 4.143: Belleville Washer

Installing Cutterbar Spindle Shear Pin

⚠ WARNING

To avoid bodily injury or death from unexpected startup of the machine, always stop the engine and remove the key from the ignition before leaving the operator's seat for any reason.

⚠ CAUTION

Disc blades have two sharp cutting edges that can cause serious injury. Exercise caution and wear gloves when working with blades.

1. Fill the space above the bearing with grease. Refer to the inside back cover of this manual for a list of recommended fluids, lubricants, and capacities for the machine.
2. Reinstall Belleville washer (A) with its dome down and outside edges up.

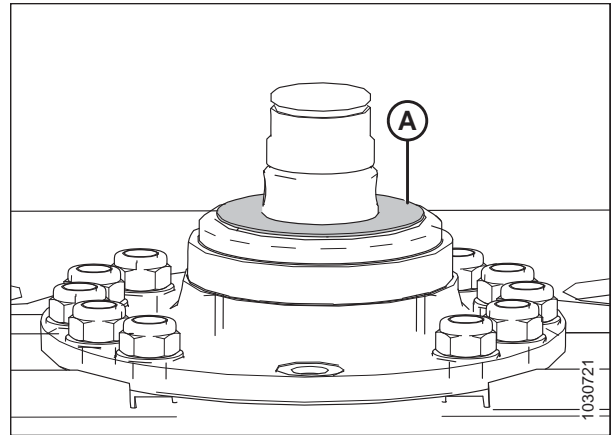


Figure 4.144: Cutterbar Spindle

3. Place hub (A) on spindle (B), and line up the slots in the hub with the holes in the spindle shaft.
4. Position new shear pins with grooves (C) as shown.

IMPORTANT:

The correct shear pin orientation is critical. Both shear pin grooves (C) must be facing the same direction and be parallel to the cutterbar.

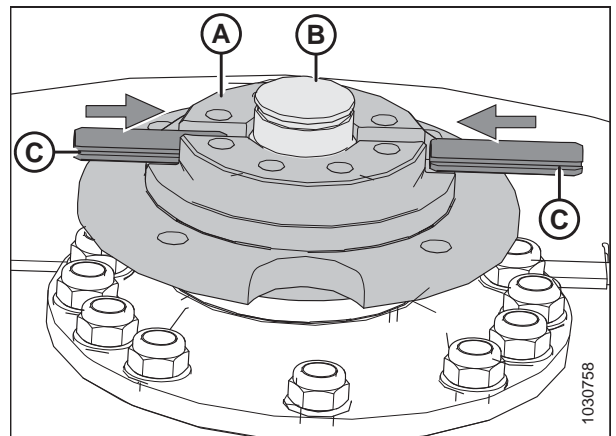


Figure 4.145: Shear Pin Orientation

MAINTENANCE AND SERVICING

5. Install new shear pin (A) with a pin punch and hammer. Repeat on the other side of spindle.

NOTE:

Ensure that the ends of the shear pins do **NOT** protrude past the step in the hub.

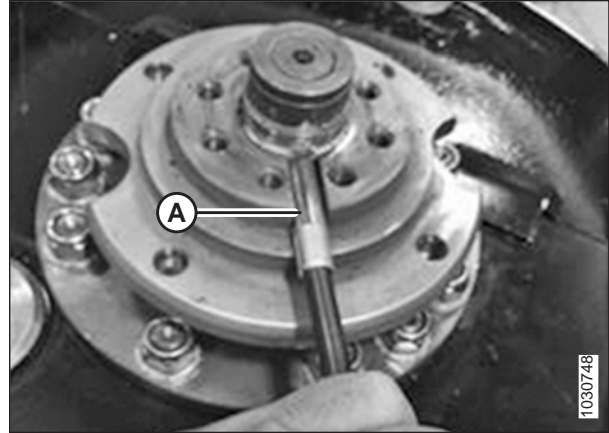


Figure 4.146: Cutterbar Spindle

6. Install nut (A) and spacer plate (B).

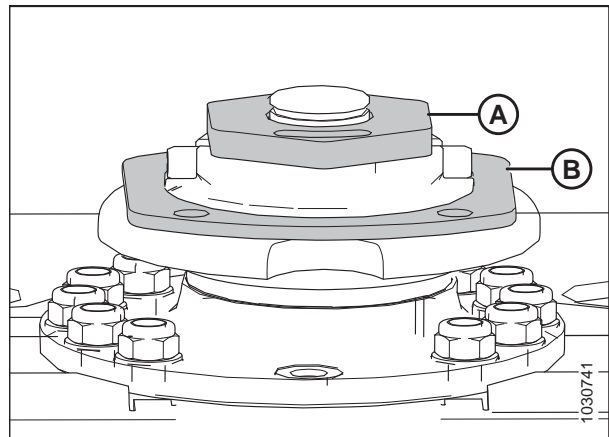


Figure 4.147: Cutterbar Spindle

7. Attach safecut spindle-nut wrench (B) 90° (D) to the torque wrench (A).

IMPORTANT:

If the wrench is not attached correctly, the proper torque will **NOT** be applied to the nut.

8. Position safecut spindle-nut wrench (B) on spindle nut (C). Torque nut to 300 Nm (221 lbf-ft).

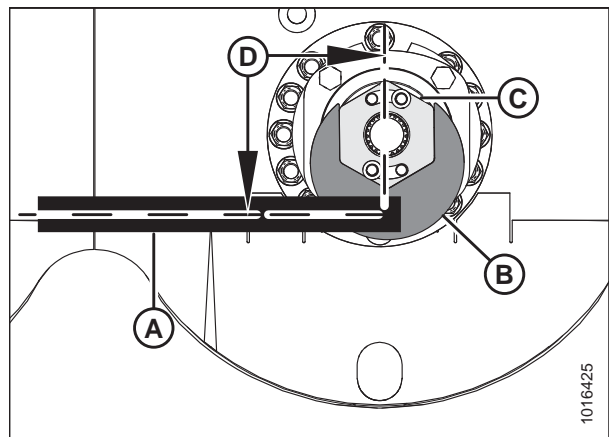


Figure 4.148: Spindle Nut

MAINTENANCE AND SERVICING

9. Install two M10 bolts (A) and washers. Torque hardware to 55 Nm (40 lbf-ft).

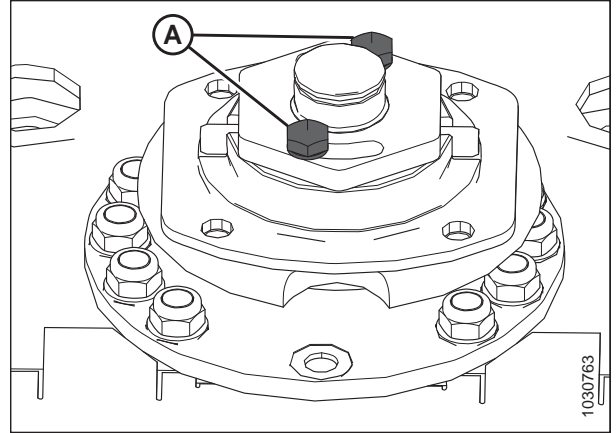


Figure 4.149: Cutterbar Spindle

10. Install retaining ring (A).

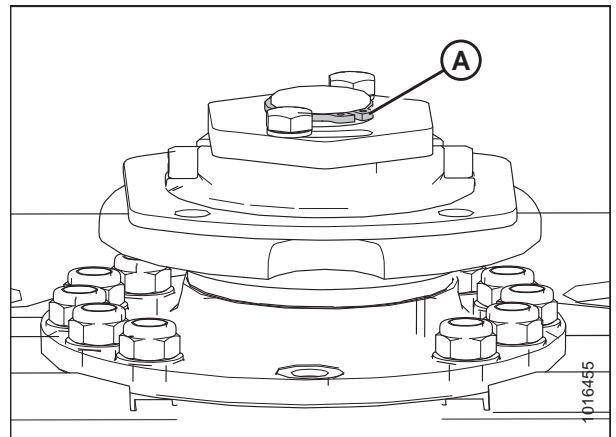


Figure 4.150: Cutterbar Spindle

11. Depending on the type of disc with the new shear pin, refer to the applicable disc installation procedure:
 - Install cutterbar disc (A). For instructions, refer to [Installing Cutterbar Discs, page 92](#).
 - Install left driven drum (B). For instructions, refer to [Installing Left Driven Drum and Driveline, page 129](#).
 - Install right driven drum (C). For instructions, refer to [Installing Right Driven Drum and Driveline, page 135](#).

WARNING

Ensure the cutterbar is completely clear of foreign objects. Foreign objects can be ejected with considerable force when the machine is started and may result in serious injury or machine damage.

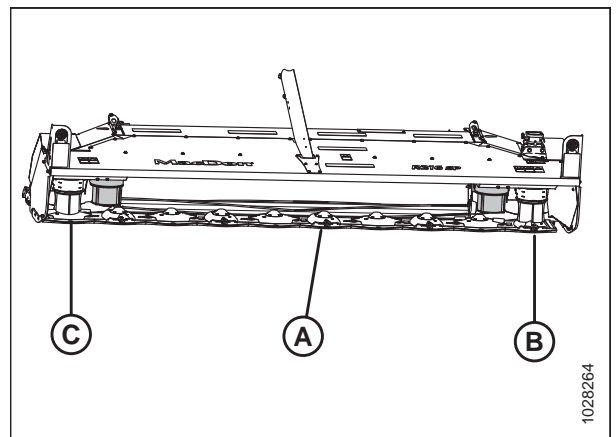


Figure 4.151: Cutterbar Disc and Driven Drums

MAINTENANCE AND SERVICING

12. Close cutterbar curtain (A). For instructions, refer to [3.6.2 Closing Cutterbar Curtain, page 46](#).
13. Return safecut spindle-nut wrench to its storage location. For storage location of wrench (B), refer to [Figure 4.156, page 148](#).

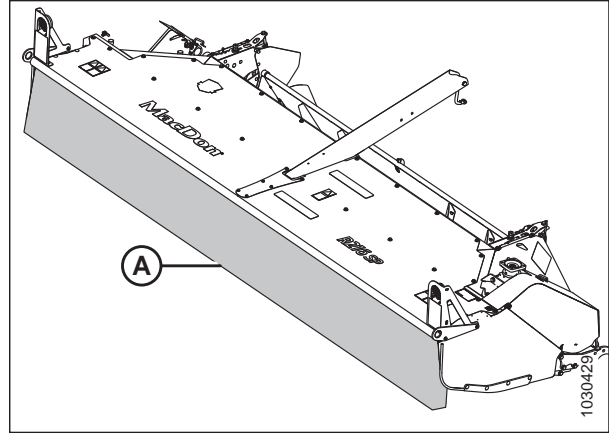


Figure 4.152: Cutterbar Curtain

4.6.9 Reconfiguring Cutterbar Crop Stream

Discs are factory-installed to produce four crop streams, but the disc rotation pattern can be changed by swapping discs (and their corresponding spindles) to suit crop conditions. Each spindle and disc pair is designed to rotate in one direction and must be changed as sets when altering crop flows.

Reducing or increasing the number of crop streams will produce the following results:

- Reducing the number of crop streams will result in narrower windrows.
- Increasing the number of crop streams will result in smoother, wider windrows.

NOTE:

Increasing the number of crop streams will also increase the number of diverging disc pairs which may negatively affect cut quality in certain conditions.

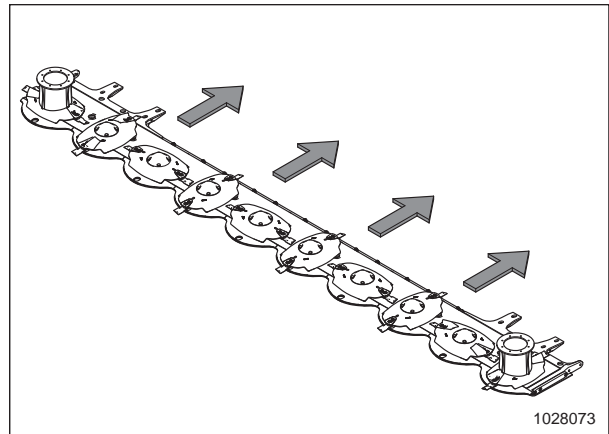


Figure 4.153: R216 Cutterbar

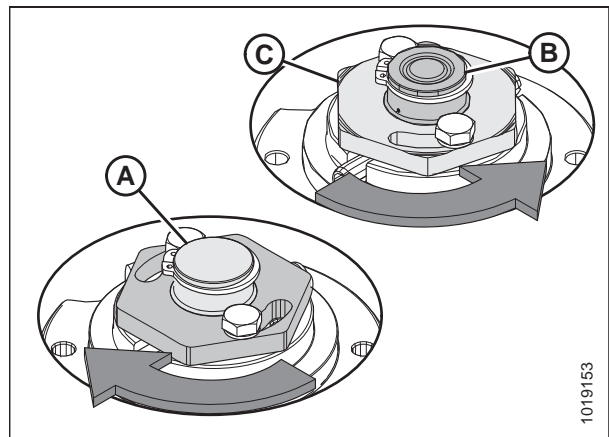


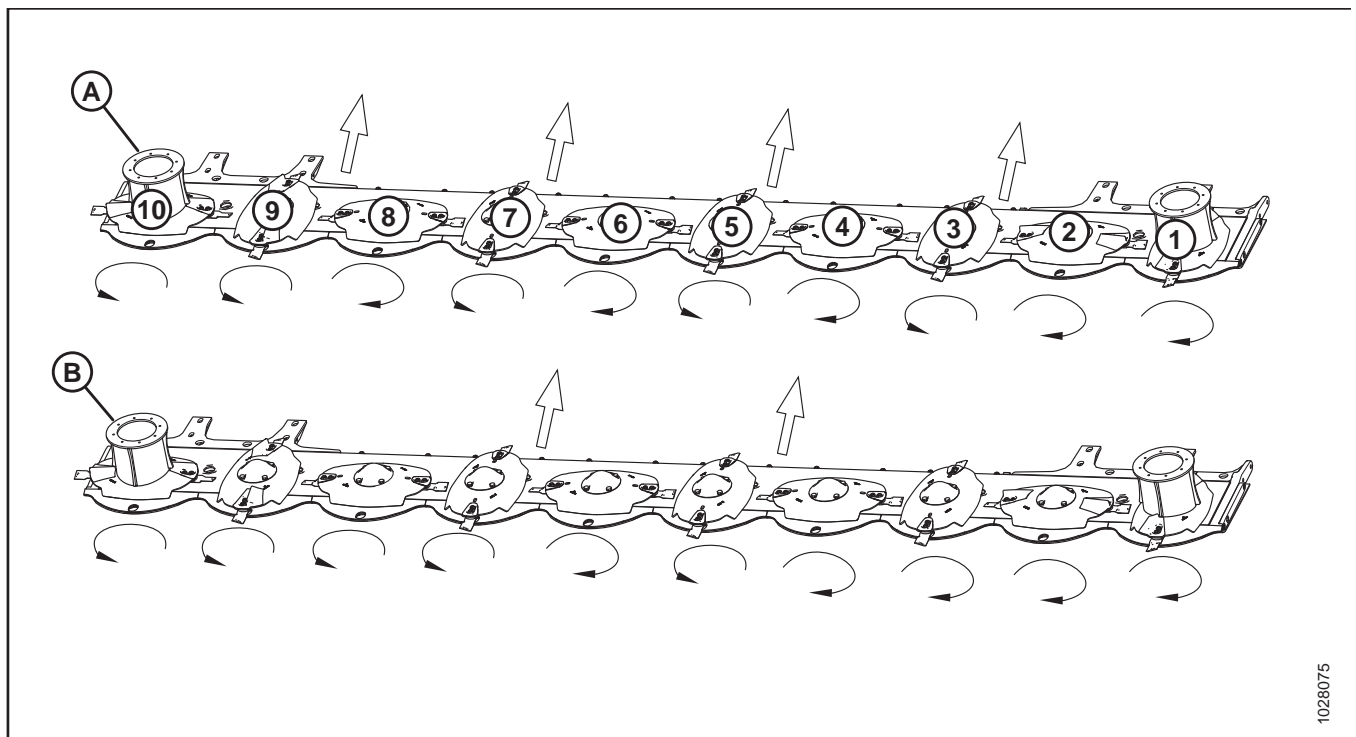
Figure 4.154: Cutterbar Spindles

IMPORTANT:

- Spindles that rotate clockwise have right-leading threading and are identified by a smooth top on the spindle gear shaft (A).
- Spindles that rotate counterclockwise have left-leading threading and are identified by machined grooves on the spindle gear shaft (B) and nut (C).
- If the spindle's position in cutterbar has changed, the rotational direction of that spindle **MUST** remain the same (that is, a clockwise spindle must maintain its clockwise rotation).
- Failure to maintain the rotation pattern can result in damage to the spindle and/or cutterbar components.
- Safecut components (shear pin) will not work if spindles are used in the wrong orientation.

Changing R216 SP Cutterbar Crop Stream Configuration

Figure 4.155: R216 SP (10 Disc) Spindle Rotation Pattern and Crop Streams



A - Four Crop Stream

B - Two Crop Streams

NOTE:

For instructions, refer to *Removing Cutterbar Spindles, page 94* and *Installing Cutterbar Spindles, page 96*.

To change R216 SP (10 disc) spindle rotation from four crop streams (A) to two crop streams (B):

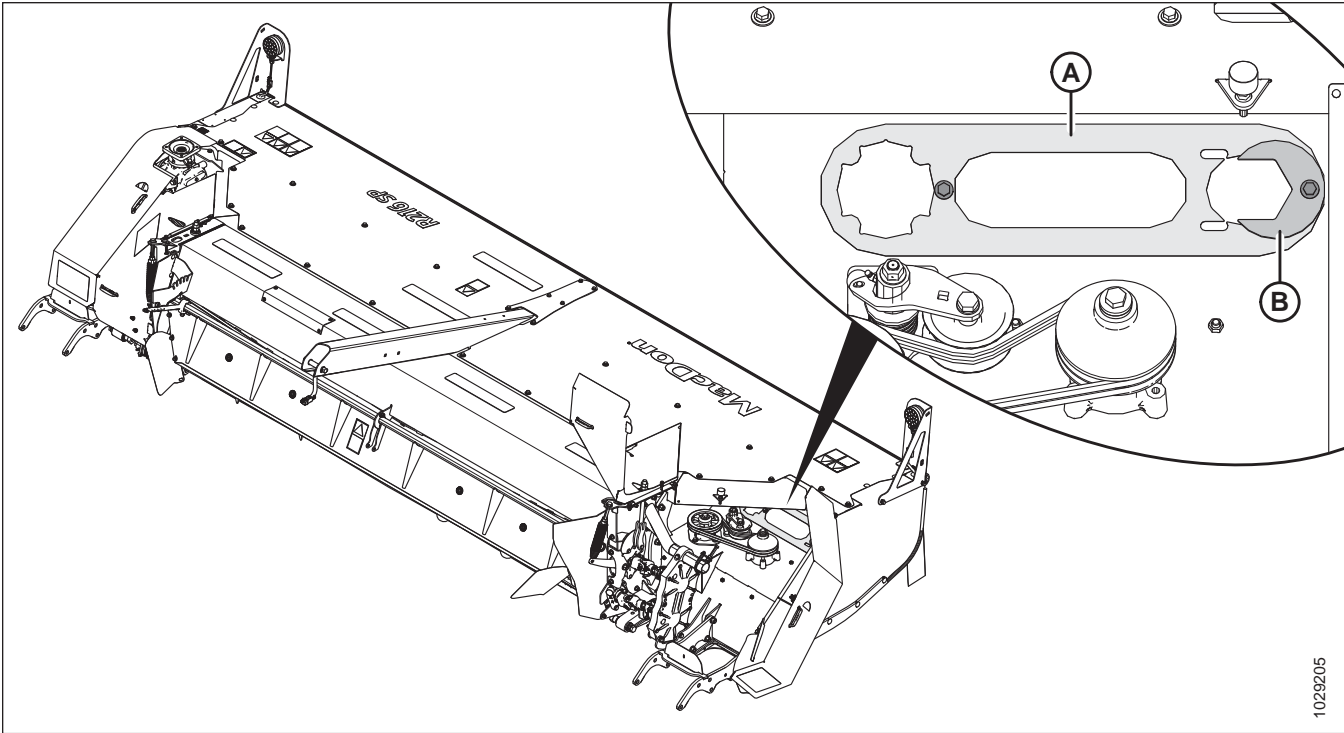
- Swap disc/spindle (3) with disc/spindle (8).

NOTE:

Switching from 4 streams to 2 streams is a recommended setting when cutting light alfalfa and using the double windrower attachment (DWA).

MAINTENANCE AND SERVICING

Figure 4.156: Disc Timing Tool Location on Header



A - Disc Timing Tool (MD #307954)

B - Safecut Spindle-Nut Wrench (MD #246314)

NOTE:

A disc timing tool (A) (MD #307954) is provided with the header and is located on the panel on the right side of the header. For instructions on using the disc timing tool, refer to [Installing Cutterbar Spindles, page 96](#).

4.7 Conditioner Roll Timing Gearbox

Conditioner roll timing gearbox is located inside the drive compartment at the right of the header and transfers power from the gearbox-driven lower roll to the upper roll.

Gearbox (A) does not require routine maintenance or service other than checking and changing oil.

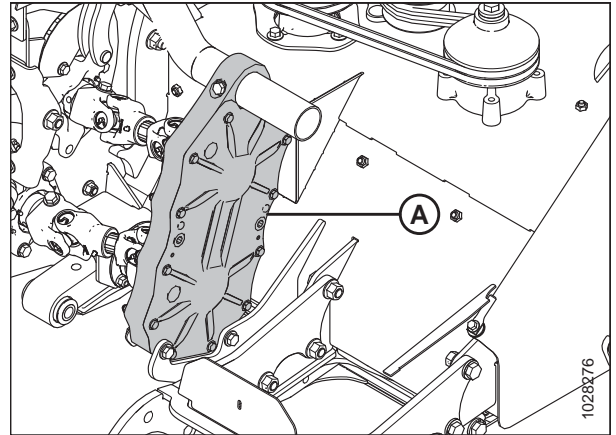


Figure 4.157: Conditioner Roll Timing Gearbox

4.7.1 Checking and Changing Conditioner Roll Timing Gearbox Oil

Change the oil after the first 50 hours of operation. Perform subsequent oil changes every 250 hours or annually (preferably before the start of the cutting season). Refer to this manual's inside back cover for a list of recommended fluids, lubricants, and capacities.

WARNING

To avoid bodily injury or death from unexpected startup of the machine, always stop the engine and remove the key from the ignition before leaving the operator's seat for any reason.

IMPORTANT:

Check the gearbox oil level when the oil is warm. If the oil is cold, idle the machine for approximately 10 minutes prior to checking.

1. Lower the rotary disc header to the ground and adjust the header angle (tilt) so that the cutterbar is level (parallel) with the ground.
2. Shut down the engine, and remove the key from the ignition.
3. On the right side of the header, engage lift release latch (A) and pull handle (B) to open outboard driveshield (C).
4. Lift at handle (D) and open inboard driveshield (E).

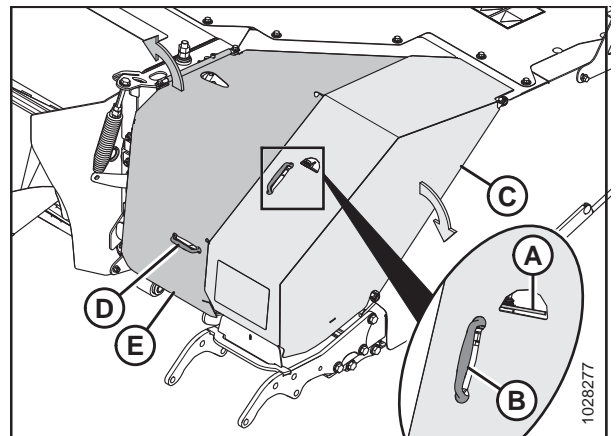


Figure 4.158: Right Driveshields

MAINTENANCE AND SERVICING

5. Remove right driveshield (A). For instructions, refer to [4.11.1 Removing Driveshields, page 165](#).

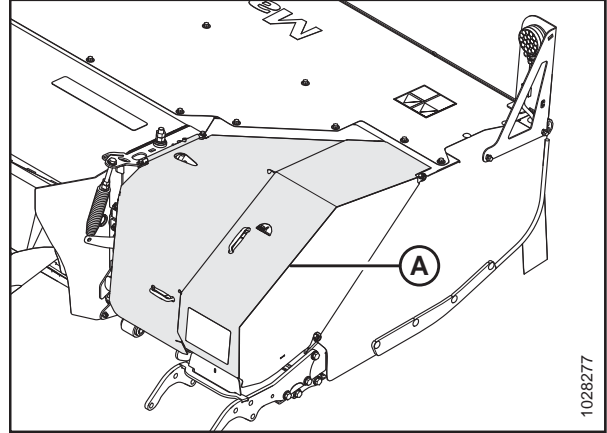


Figure 4.159: Right Driveshield

Checking conditioner roll timing gearbox oil level:

6. Clean around oil level sight glass (A) and breather (B) on the inboard side of the gearbox.
7. Ensure that the lubricant is level with the top of the sight glass. If necessary, add lubricant through breather (B). Refer to this manual's inside back cover for a list of recommended fluids, lubricants, and capacities.

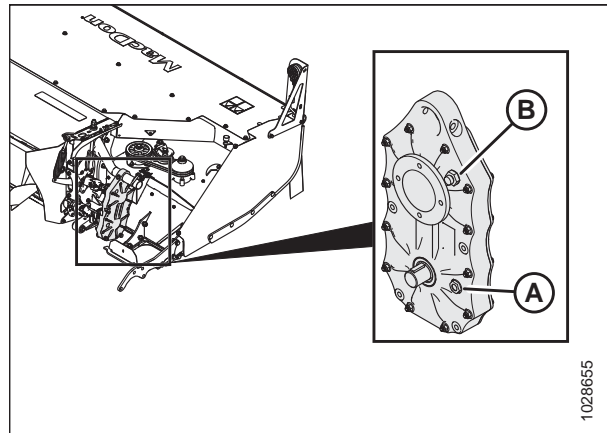


Figure 4.160: Roll Timing Gearbox

Changing conditioner roll timing gearbox oil:

⚠ WARNING

To avoid bodily injury or death from unexpected start-up or fall of raised machine: stop engine, remove key, and engage lift cylinder lock-out valves before going under machine.

8. Raise the header to provide sufficient access to oil drain plug (A).
9. Shut down the engine, and remove the key from the ignition.
10. Engage the windrower lift cylinder safety props. For instructions, refer to [3.2.1 Engaging and Disengaging Header Safety Props – M1240 Windrower, page 20](#).
11. Clean around oil drain plug (A) on the bottom of the gearbox and around oil level plug (B) on the inboard side of the gearbox.
12. Place a 1 liter (1.05 qts [US]) container underneath the conditioner gearbox.
13. Remove oil drain plug (A) using a hex key.
14. Allow sufficient time for the oil to drain, reinstall oil drain plug (A), and tighten.
15. Fill with the specified volume of oil as listed on the inside back cover of this manual or until level is visible in sight glass (B).
16. Reinstall driveshields. For instructions, refer to [4.11.2 Installing Driveshields, page 166](#).
17. Lower the header fully.
18. Properly dispose of oil.

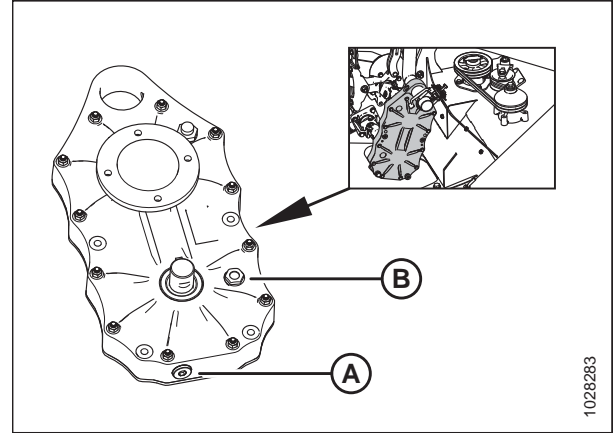


Figure 4.161: Roll Timing Gearbox

4.8 Header Drive Gearbox

Header drive gearbox (A) transfers power from the hydraulic motor to the cutterbar and conditioner. It is located inside the drive compartment at the left end of the header.

The only regular servicing required is maintaining the lubricant level and changing the lubricant according to the intervals specified in this manual. Refer to [4.4 Maintenance Requirements, page 76](#).

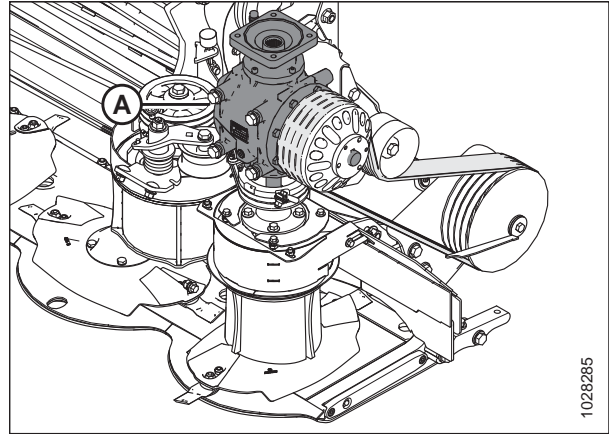


Figure 4.162: Header Drive Gearbox

4.8.1 Checking Oil in Header Drive Gearbox

Change oil after the first 50 hours of operation. Perform subsequent oil changes every 250 hours or annually (preferably before the start of the cutting season).

IMPORTANT:

Check the gearbox oil level when the oil is warm. If the oil is cold, idle the machine for approximately 10 minutes prior to checking.



WARNING

To avoid bodily injury or death from unexpected startup of the machine, always stop the engine and remove the key from the ignition before leaving the operator's seat for any reason.

1. Park the windrower on a level surface.
2. Start the engine.
3. Adjust the header height until the cutterbar is parallel with the ground.
4. Shut down the engine, and remove the key from the ignition.
5. Open the left driveshield. For instructions, refer to [3.5.1 Opening Driveshields, page 42](#).

6. Locate gearbox (A) on the left side of the header.

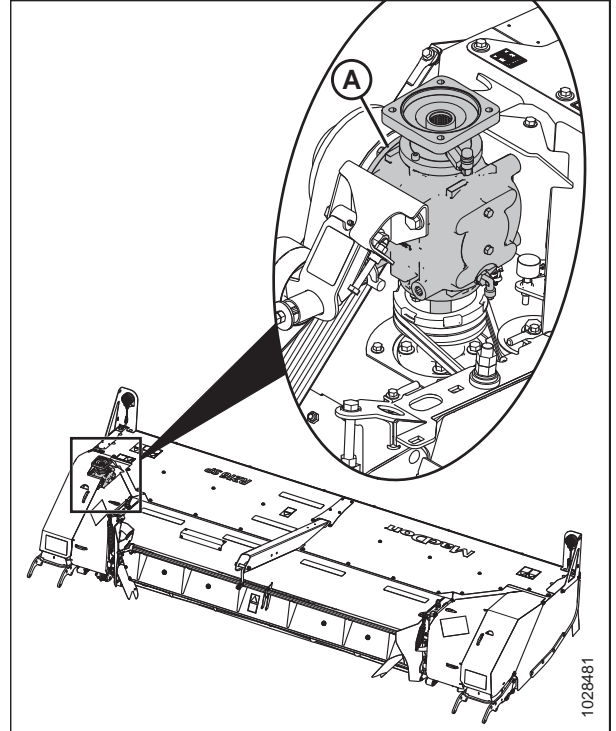


Figure 4.163: Header Drive Gearbox Location

7. Clean the area around check plug (A).
8. Remove check plug (A) with an 13 mm (1/2 in.) socket.
9. Ensure the lubricant is even with the bottom of the check hole (with check plug [A] removed) or slightly runs out of the check hole.
10. If necessary, remove fill plug (B) and add lubricant to the gearbox through the fill hole until lubricant runs out of the check hole (with check plug [A] removed). Refer to the inside back cover of this manual for a list of recommended fluids, lubricants, and capacities for the machine.
11. Reinstall the plug(s) and torque to 23 Nm (17 lbf-ft).
12. Close the left driveshield.
13. Lower the header fully.
14. Shut down the engine, and remove the key from the ignition.

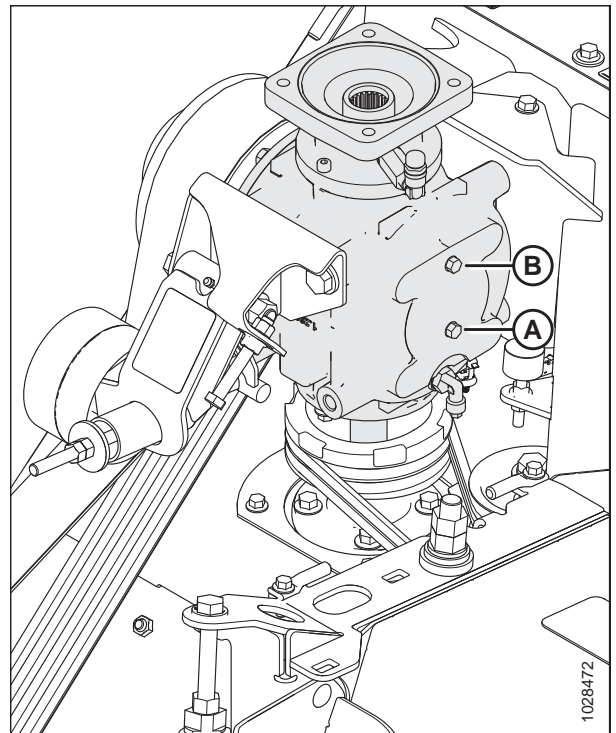


Figure 4.164: Header Drive Gearbox

4.8.2 Changing Oil in Header Drive Gearbox

Change oil after the first 50 hours of operation. Perform subsequent oil changes every 250 hours or annually (preferably before the start of the cutting season).

WARNING

To avoid bodily injury or death from unexpected startup of the machine, always stop the engine and remove the key from the ignition before leaving the operator's seat for any reason.

1. Clean around oil drain plug (A) on the bottom of the gearbox and around check plug (B) on the inboard side of the gearbox.
2. Place a 4 liter (1 gal. [US]) container under drain (A).
3. Remove oil drain plug (A).
4. Allow sufficient time for oil to drain, reinstall oil drain plug (A), and tighten.
5. Remove check plug (B) and fill plug (C).
6. Add lubricant through the fill hole (with fill plug [C] removed) until the oil level is even with the check hole (with check plug [B] removed). Refer to the inside back cover of this book for a list of recommended fluids, lubricants, and capacities for the machine.
7. Replace check plug (B) and fill plug (C). Tighten plugs.
8. Clean up any spilled oil and properly dispose of used oil and wipes.
9. Close the cutterbar curtain. For instructions, refer to [3.6.2 Closing Cutterbar Curtain, page 46](#).

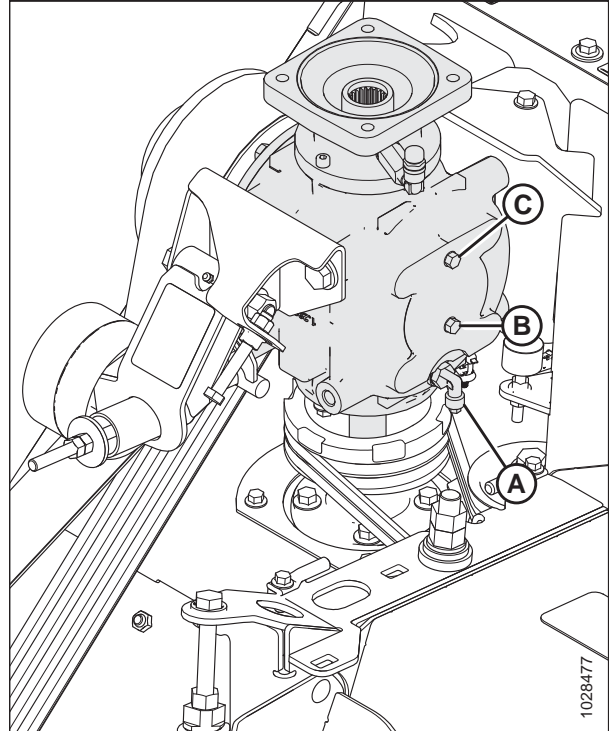


Figure 4.165: Header Drive Gearbox

4.9 Cutterbar Curtain

Rubber curtain (A) is installed at the front of the header. The curtain forms a barrier that minimizes the risk of thrown objects being ejected from the cutterbar area. Always keep curtains down during operation.

Replace the curtains if they become worn or damaged.

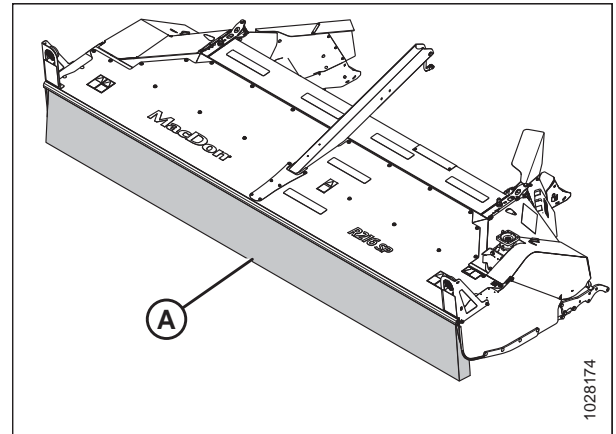


Figure 4.166: Cutterbar Curtain

4.9.1 Inspecting Cutterbar Curtain

The cutterbar curtain is an important safety feature that reduces the potential for thrown objects. Always keep the curtain down when operating the header.

WARNING

To reduce the risk of personal injury and machine damage, do NOT operate the machine without curtain installed and in good condition. Foreign objects can be ejected with considerable force when the machine is started.

CAUTION

To avoid injury, keep hands and fingers away from corners of doors when closing.

Check cutterbar curtain (A) for the following conditions:

- Rips and tears: Replace curtain.
- Cracking: While the curtain may look whole, this is an indicator that failure is imminent—replace curtain.
- Missing bolts: Replace missing hardware before operating.

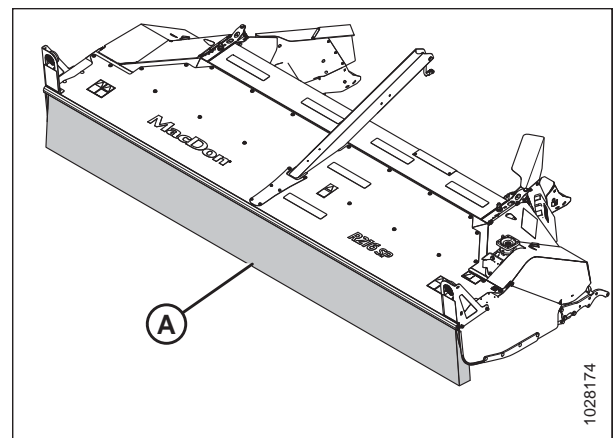


Figure 4.167: Cutterbar Curtain

4.9.2 Removing Cutterbar Curtain

1. Raise header fully and engage safety props. For instructions, refer to [3.2.1 Engaging and Disengaging Header Safety Props – M1240 Windrower, page 20](#).

2. Remove hex flange head bolt and washer (A) securing curtain (B) to the inboard side of the end panel.

NOTE:

Cutterbar removed from illustration for clarity.

3. Loosen six lock nuts (C) securing curtain (B) to the front of the header frame. Do **NOT** remove nuts at this time.

NOTE:

Curtain seam is on the inside.

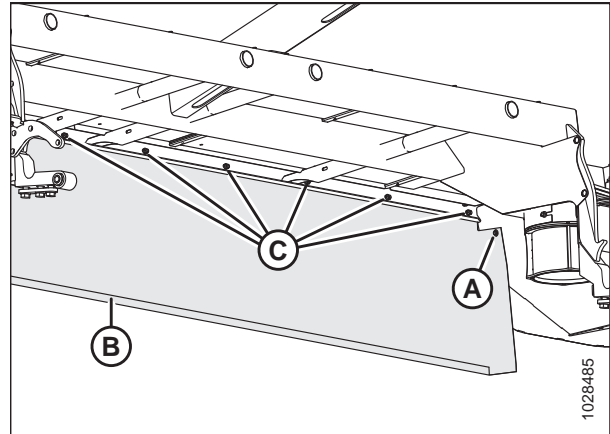


Figure 4.168: Cutterbar Curtain – View from Below

4. Remove bumper (A) by sliding it off of bumper mount (D).

NOTE:

Top shield removed from illustration for clarity.

5. Remove six M10 bolts (B), six lock nuts (C), and bumper mount (D).
6. Repeat Steps [2, page 156](#) to [5, page 156](#) at the opposite end of the header.
7. Remove curtain (E).

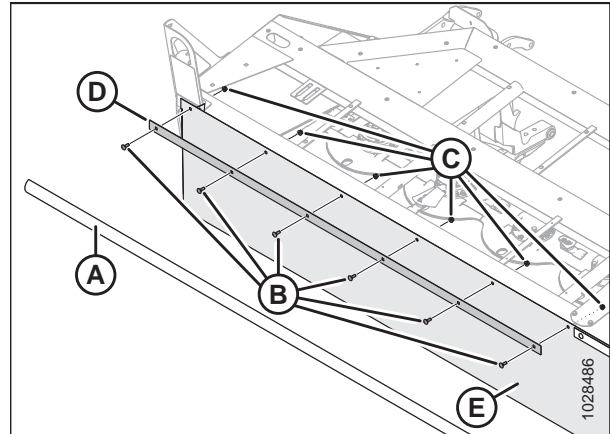


Figure 4.169: Cutterbar Curtain – View from Front

4.9.3 Installing Cutterbar Curtain

1. Position curtain (E) on the front of the header frame.

NOTE:

Top shield removed from illustration for clarity.

2. Secure curtain with bumper mount (D), six M10 bolts (B), and six lock nuts (C). Do **NOT** tighten nuts at this time.
3. Slide bumper (A) onto bumper mount (D) from outboard end.

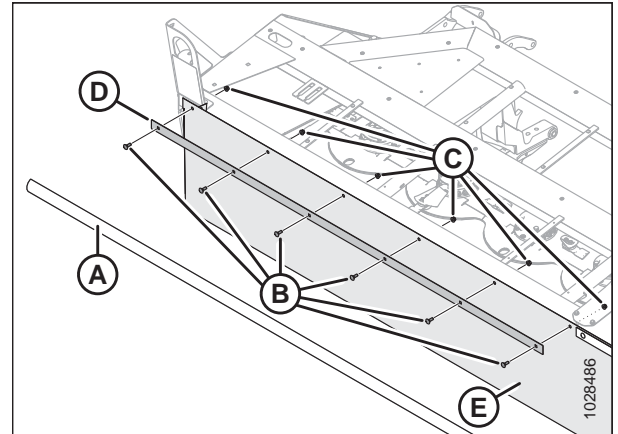


Figure 4.170: Cutterbar Curtain – View from Front

4. Tighten six lock nuts (C) securing curtain (B) to the front of the header frame.

NOTE:

Cutterbar removed from illustration for clarity.

5. Secure the curtain to the inboard side of the end panel with a hex flange head bolt and washer (A). Torque bolt to 29 Nm (21 lbf-ft).
6. Repeat Steps 1, page 157 to 5, page 157 at the opposite end of the header.
7. Disengage safety props and lower header. For instructions, refer to [3.2.1 Engaging and Disengaging Header Safety Props – M1240 Windrower, page 20](#).

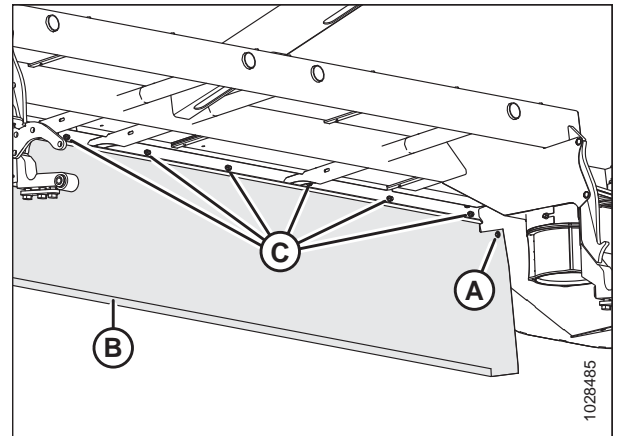


Figure 4.171: Cutterbar Curtain – View from Below

4.10 Conditioner

Rolls condition the crop by crimping and crushing the stem in several places, which allows the release of moisture resulting in faster drying times. There are two roll conditioner options—steel conditioner rolls and polyurethane rolls.

4.10.1 Inspecting Conditioner

Inspect conditioner roll bearings, feed roll bearings, and driveline U-joints for signs of wear or damage.

DANGER

To avoid bodily injury or death from unexpected start-up or fall of a raised machine, stop engine, remove key, and engage windrower lift cylinder safety props before going under machine for any reason.

WARNING

Exercise caution when working around the blades. Blades are sharp and can cause serious injury. Wear gloves when handling blades.

1. Lower the header fully.
2. Shut down the engine, and remove the key from the ignition.
3. Open driveshields (A). For instructions, refer to [3.5.1 Opening Driveshields, page 42](#).

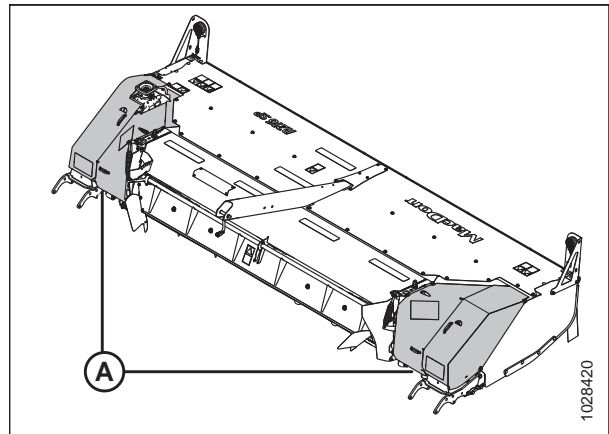


Figure 4.172: Driveshields

4. Inspect feed roll left bearing (A) for signs of wear or damage. If the bearing needs replacing, contact your Dealer.

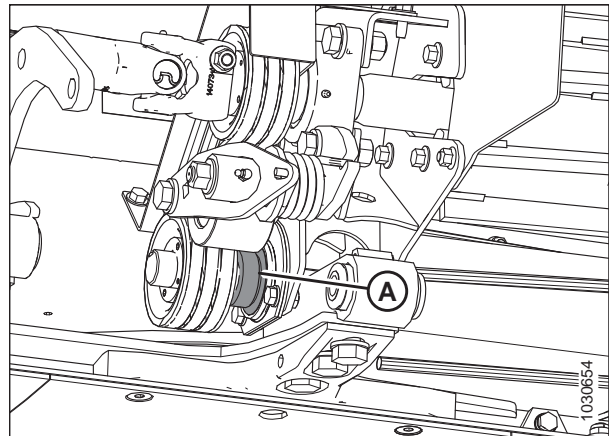


Figure 4.173: Feed Roll Left Bearing – View from Below

MAINTENANCE AND SERVICING

5. Inspect feed roll right bearing (A) for signs of wear or damage. If the bearing needs replacing, contact your Dealer.

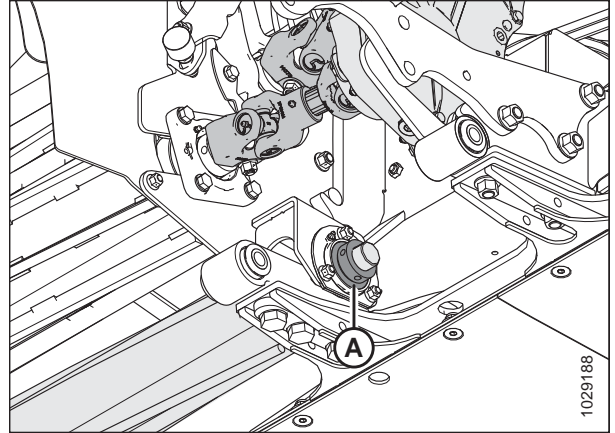


Figure 4.174: Feed Roll Right Bearing – View from Below

6. Inspect conditioner roll left bearings (A) for signs of wear or damage. If the bearings need replacing, contact your Dealer.

NOTE:

Bearings are located on the inboard side of the feed roll tensioner assembly driver pulley and left roll arm.

7. Inspect conditioner driveline U-joints (B) for signs of wear or damage. If the U-joints need replacing, contact your Dealer.

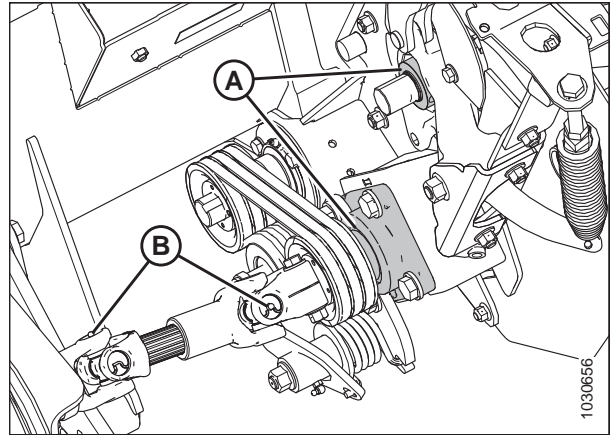


Figure 4.175: Conditioner Roll Left Bearings

8. Inspect conditioner drive U-joints (A) for signs of wear or damage. If the U-joints need replacing, contact your Dealer.
9. Inspect conditioner roll right bearings (B) for signs of wear or damage. If the bearings need replacing, contact your Dealer.

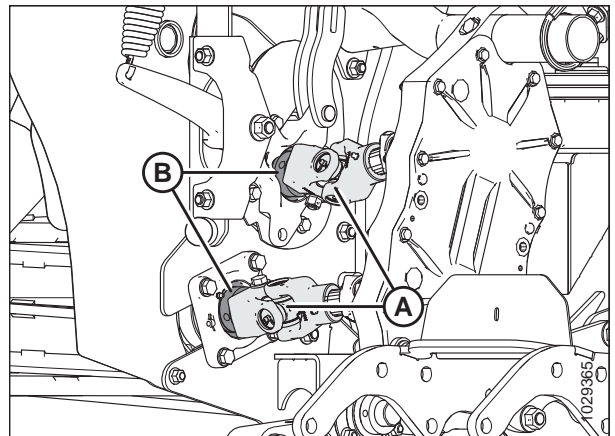


Figure 4.176: Conditioner Drive U-Joints and Conditioner Roll Right Bearings

MAINTENANCE AND SERVICING

10. Inspect roll timing gearbox bearings (A) for signs of wear or damage. If the bearings need replacing, contact your Dealer.

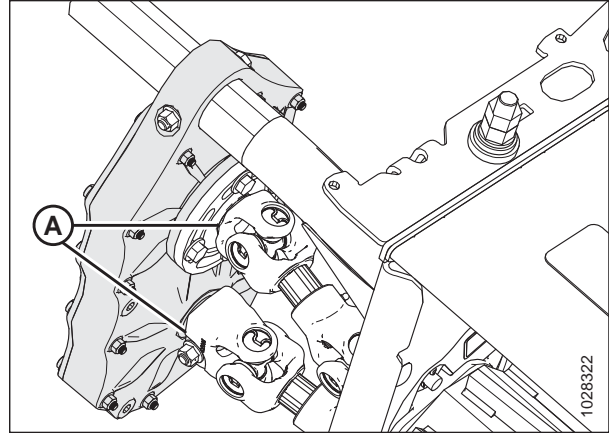


Figure 4.177: Roll Timing Gearbox Bearings

Conditioner Drive Belt

The conditioner drive belt is located inside the left driveshield and is tensioned with a spring tensioner.

Inspecting Conditioner Drive Belt

Check the belt tension after the first 25 hours, and then check and inspect for damage or wear every 100 hours.

WARNING

To avoid bodily injury or death from unexpected startup of the machine, always stop the engine and remove the key from the ignition before leaving the operator's seat for any reason.

1. Lower the rotary disc header fully.
2. Shut down the engine, and remove the key from the ignition.
3. Open left driveshield (A). For instructions, refer to [3.5.1 Opening Driveshields, page 42](#).

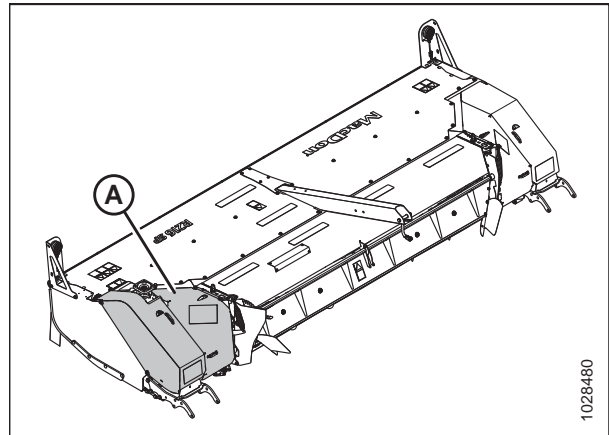


Figure 4.178: Left Driveshield

MAINTENANCE AND SERVICING

4. Inspect drive belt (A) and replace if damaged or cracked.
5. Check that jam nut (B) and adjuster nut (C) are tight.

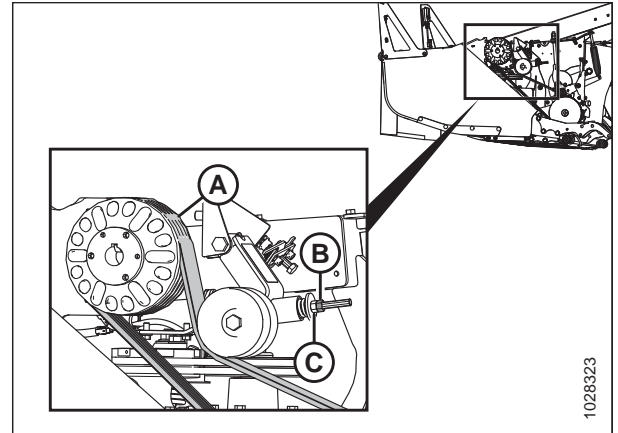


Figure 4.179: Conditioner Drive

6. Measure the length of belt tensioner spring (A) and ensure spring length (B) is 17 mm (11/16 in.) in accordance with spring tension decal (C). If the spring length requires adjustment, refer to [Installing Conditioner Drive Belt, page 163](#).
7. Close the driveshield. For instructions, refer to [3.5.2 Closing Driveshields, page 44](#).

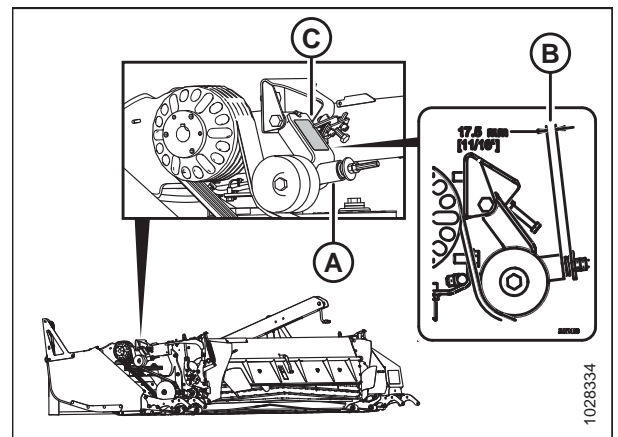


Figure 4.180: Belt Tension Spring

Removing Conditioner Drive Belt

WARNING

To avoid bodily injury or death from unexpected startup of the machine, always stop the engine and remove the key from the ignition before leaving the operator's seat for any reason.

1. Lower the header fully.
2. Shut down the engine, and remove the key from the ignition.
3. Remove the left driveshield. For instructions, refer to [3.5.1 Opening Driveshields, page 42](#).
4. Turn jam nut (A) counterclockwise to unlock the tension adjustment.
5. Turn jam nut (A) and adjuster nut (B) counterclockwise to fully extend tensioner spring (C), and release the tension from conditioner drive belt (D).
6. Fully loosen hardware, then slide threaded rod (E) forward and down to disengage the rod pivot point from the disc speed sensor bracket.

NOTE:

The threaded rod pivot point must be disengaged from the disc speed sensor bracket to allow the tensioner assembly to rotate enough to remove the drive belt.

7. Remove drive belt (D).

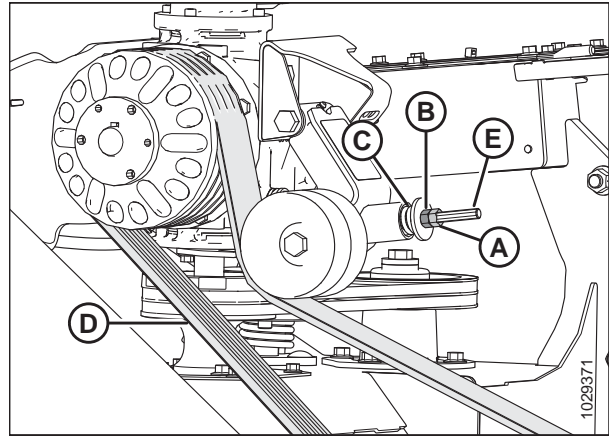


Figure 4.181: Conditioner Drive

Installing Conditioner Drive Belt

WARNING

To avoid bodily injury or death from unexpected startup of the machine, always stop the engine and remove the key from the ignition before leaving the operator's seat for any reason.

1. Lower the header fully.
2. Shut down the engine, and remove the key from the ignition.
3. Open left driveshield (A). For instructions, refer to [3.5.1 Opening Driveshields](#), page 42.

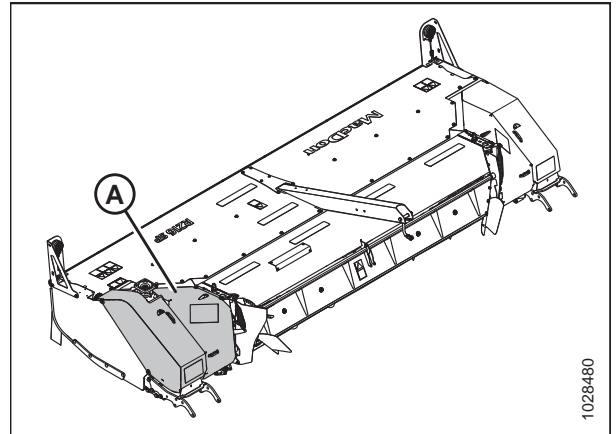


Figure 4.182: Left Driveshield

4. Install drive belt (A) onto driven pulley (C) first, and then onto drive pulley (B), ensuring that the belt is in the pulley grooves.

NOTE:

If necessary, loosen the jam nut and adjuster nut to relieve the spring tension.

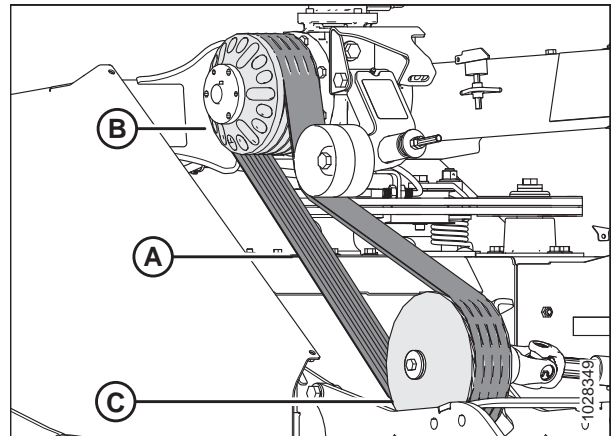


Figure 4.183: Conditioner Drive

MAINTENANCE AND SERVICING

5. Check position of the bracket, center-to-center distance (C) between drive pulley (D) and driven pulley (E) should be 723 mm (28 7/16 in.). If not, loosen M16 hex head bolt and lock nuts (A) on pulley mount bracket (B), and adjust the position of the bracket.
6. Torque hardware to 170 Nm (126 lbf·ft).

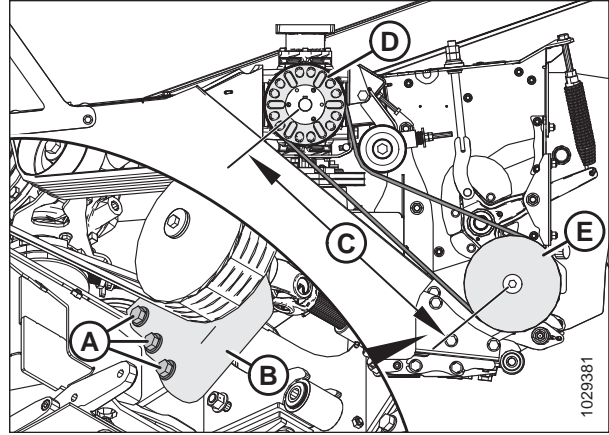


Figure 4.184: Conditioner Drive

7. With hardware fully loosened, slide threaded rod (E) up and backward into the disc speed sensor bracket, then snug the hardware to engage the rod pivot point with the bracket.
8. Measure the length of tensioner spring (C). For proper belt tension, dimension (D) should be set to 17 mm (11/16 in.).
9. To adjust spring tension, loosen jam nut (A) by turning it counterclockwise.
10. Turn adjuster nut (B) clockwise to increase tensioner spring/belt tension or turn adjuster nut (B) counterclockwise to decrease tensioner spring/belt tension.
11. Once the correct spring measurement has been achieved, hold adjuster nut (B) in place and tighten jam nut (A) against it by turning the jam nut clockwise.
12. Reconnect speed sensor (B) to wiring harness (A).
13. Close the left driveshield. For instructions, refer to [3.5.2 Closing Driveshields, page 44](#).

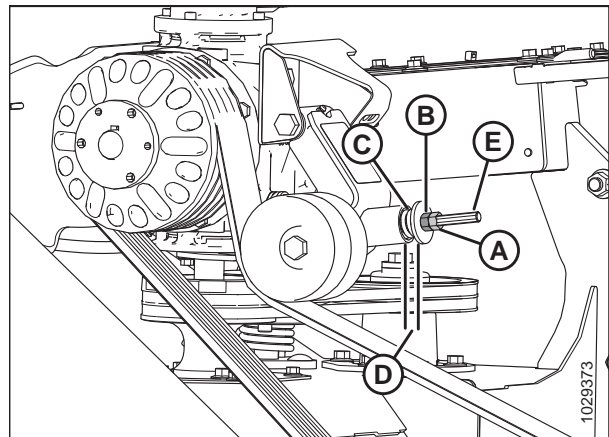


Figure 4.185: Conditioner Drive

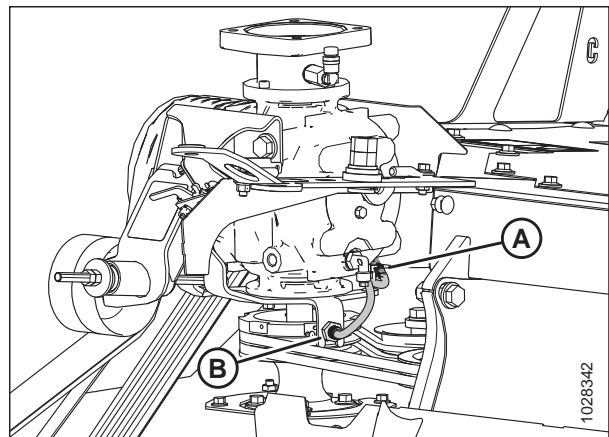


Figure 4.186: Speed Sensor

4.11 Replacing Driveshields

If driveshields are missing, severely damaged, or are not securely installed due to damage, they must be replaced.

4.11.1 Removing Driveshields

CAUTION

To reduce the risk of personal injury, do **NOT** operate the machine without the driveshields in place and secured.

NOTE:

Images shown in this procedure are for the left driveshield—the right driveshield is similar.

1. Open the driveshields. For instructions, refer to [3.5.1 Opening Driveshields, page 42](#).

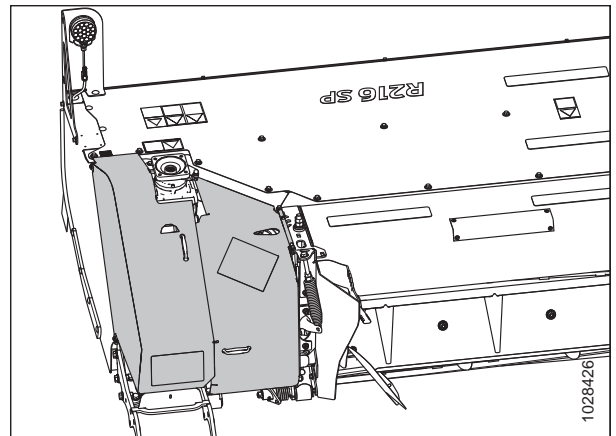


Figure 4.187: Left Driveshield

2. Remove bolt (C), retainer pin (B), two washers (A), and a hex flange center lock nut from the top and bottom of the outboard half of the driveshield.
3. Remove bolt (C), retainer pin (B), and the hex flange center lock nut from the front and rear of the inboard half of the driveshield.

NOTE:

The inboard half of the driveshield does **NOT** use washers (A).

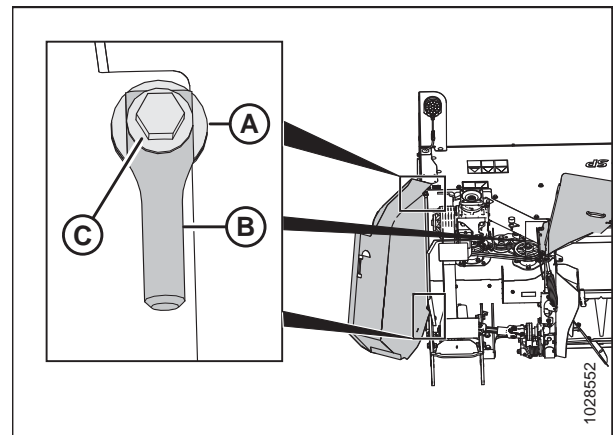


Figure 4.188: Retaining Pins on Driveshields

MAINTENANCE AND SERVICING

4. Pull outboard side (A) and inboard side (B) of driveshield away from the disc header to remove.

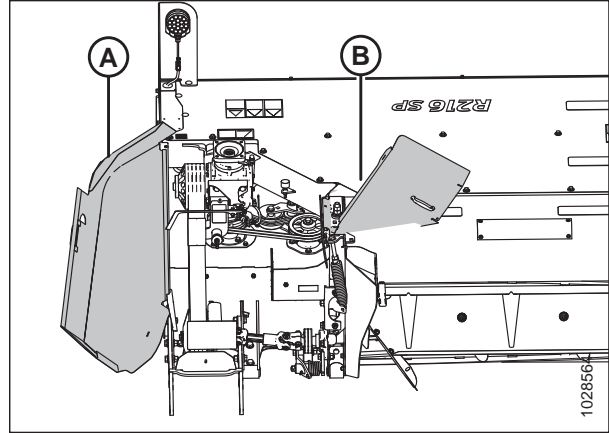


Figure 4.189: Inboard and Outboard Half of Driveshield

4.11.2 Installing Driveshields

CAUTION

Do NOT operate the machine without the driveshields in place and secured.

NOTE:

Images shown in this procedure are for the left driveshield—the right driveshield is similar.

1. Position outboard half (A) and inboard half (B) of driveshield as shown.

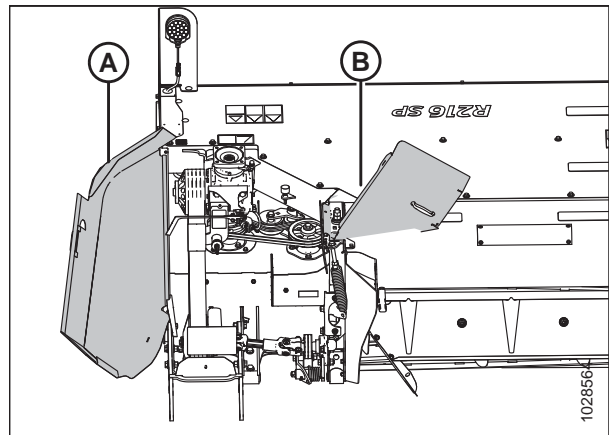


Figure 4.190: Inboard and Outboard Half of Driveshield

MAINTENANCE AND SERVICING

2. Secure the top of the outboard half of the driveshield with two washers (A), retaining pin (B), bolt (C), and a hex flange center lock nut.
3. Secure the front and rear of the inboard half of the driveshield with retaining pin (B), bolt (C), and a hex flange center lock nut.

NOTE:

The inboard half of the driveshield does **NOT** use washers (A).

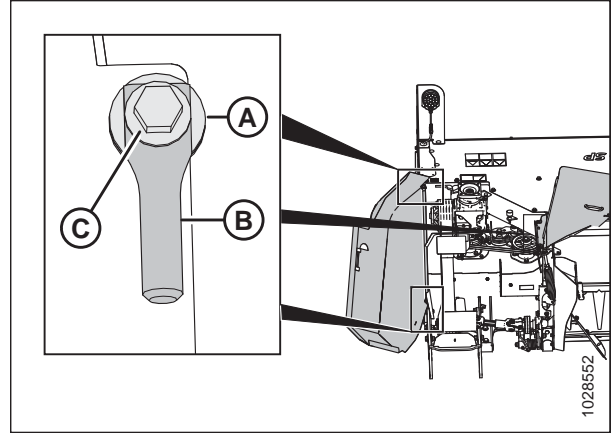


Figure 4.191: Retaining Pins and Hardware on Driveshield

4. Close the driveshields. For instructions, refer to [3.5.2 Closing Driveshields, page 44](#).

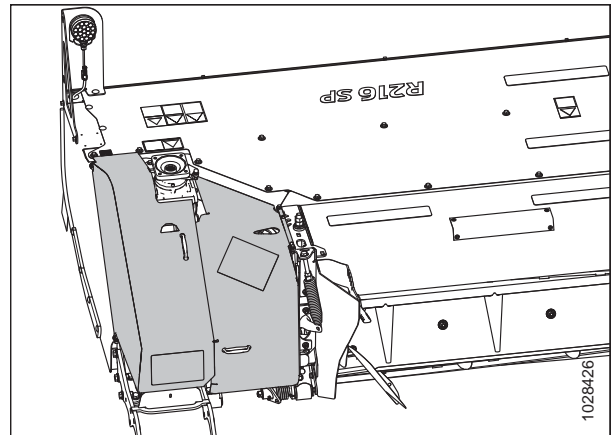


Figure 4.192: Left Driveshield

4.12 Electrical System

4.12.1 Maintaining Electrical System

- Use electrical tape and cable ties as required to prevent the wiring harness from dragging or rubbing.
- Keep lights clean.
- Replace damaged lights.

4.12.2 Replacing Amber Hazard/Signal Light

WARNING

To avoid bodily injury or death from unexpected startup of the machine, always stop the engine and remove the key from the ignition before leaving the operator's seat for any reason.

1. Shut down the engine, and remove the key from the ignition.
2. Detach harness (A) on light (B) from main header harness (C).
3. Loosen nut (D), and then remove light (B) from light bracket (E). Discard the light.
4. Loosen nut (D) on new light fixture (B), then insert the light into light bracket (E).
5. Tighten nut (D) to secure the light in place. Torque to 16 Nm (12 lbf-ft).
6. Connect light harness (A) to main header harness (C).
7. Check operation of the new light.

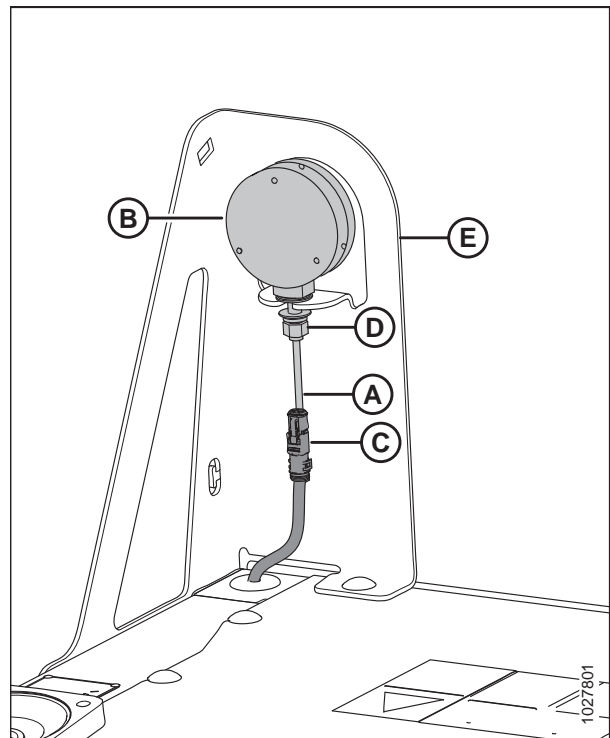


Figure 4.193: Left Amber Hazard/Signal Light

4.12.3 Replacing Header Disc Speed Sensor

If the header disc sensor malfunctions or is damaged, use this procedure to replace it.

WARNING

To avoid bodily injury or death from unexpected startup of the machine, always stop the engine and remove the key from the ignition before leaving the operator's seat for any reason.

1. Lower the header to the ground.
2. Stop the engine, and remove the key.
3. Open the left driveshield. For instructions, refer to [3.5.1 Opening Driveshields, page 42](#).
4. Disconnect wire harness (A) from speed sensor connector (B).
5. Remove fir tree clip and cable tie (E). Retain the clip for reinstallation.
6. Loosen nut (C) from the end of the sensor and remove the sensor from bracket (D).
7. Remove the nut from the end of the new sensor, install the new sensor into bracket (D) and secure with nut (C).
8. Connect sensor wire (B) to harness (A).

NOTE:

Ensure wires are clear of the belt and pulley.

9. Secure with fir tree clip (E) and the new cable tie.

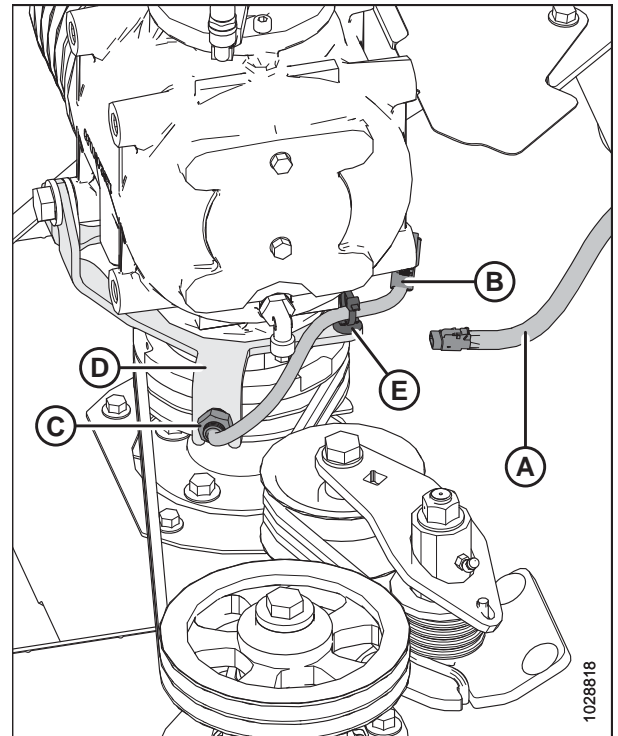


Figure 4.194: Header Disc Speed Sensor

10. Adjust nuts (A) as required to achieve a 2–3 mm (1/16–1/8 in.) gap (B) between sensor (C) and pulley (D). Ensure the sensor face and pulley face are parallel. Bend bracket (E) as required.
11. Tighten nuts (A) to 12 Nm (9 lbf-ft).
12. Close the left driveshield. For instructions, refer to [3.5.2 Closing Driveshields, page 44](#).
13. Start the windrower, engage the header, and check the operation of speed sensor on the monitor. The sensor may require re-calibrating. For instructions, refer to the windrower operator's manual.

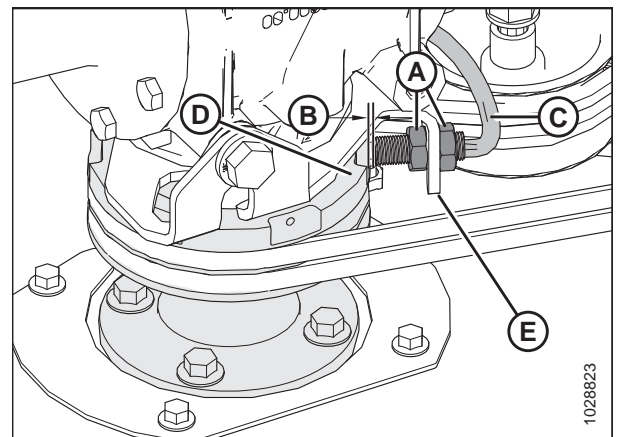


Figure 4.195: Header Disc Speed Sensor

4.13 Hydraulics

4.13.1 Checking Hydraulic Hoses and Lines

Check hydraulic hoses and lines daily for signs of leaks.

WARNING

- Avoid high-pressure fluids. Escaping fluid can penetrate the skin causing serious injury. Relieve pressure before disconnecting hydraulic lines. Tighten all connections before applying pressure. Keep hands and body away from pin holes and nozzles which eject fluids under high pressure.
- If any fluid is injected into the skin, it must be surgically removed within a few hours by a doctor familiar with this type of injury or gangrene may result.

- Use a piece of cardboard or paper to search for leaks.

IMPORTANT:

Keep hydraulic coupler tips and connectors clean. Allowing dust, dirt, water, or foreign material to enter the system is the major cause of hydraulic system damage. Do **NOT** attempt to service hydraulic systems in the field. Precision fits require a perfectly clean connection during overhaul.



Figure 4.196: Hydraulic Pressure Hazard

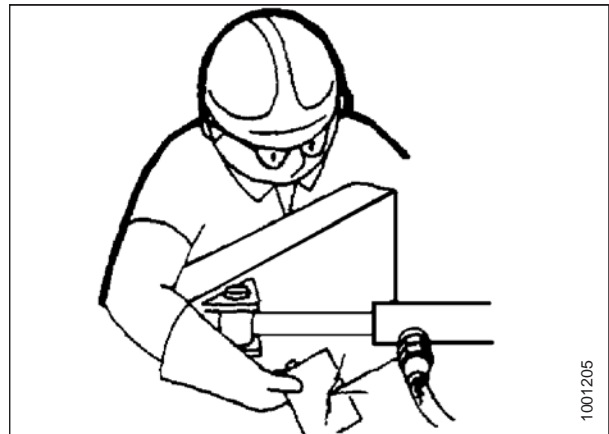


Figure 4.197: Testing for Hydraulic Leaks

Chapter 5: Options and Attachments

5.1 Cutterbar Deflectors – MD #B6847

A two-piece cutterbar deflector is attached to the cutterbar just below the header's conditioner rolls. Deflectors provide improved feeding into the conditioner rolls and prevent heavy crop with long stems from feeding under the rolls.

Cutterbar deflectors may not be well-suited for some crop and field conditions. Refer to the following table:

Table 5.1 Conditions for Using Cutterbar Deflectors

Crop/Field Condition	Use Deflector
Average crop/normal field conditions	No
Long-stemmed and heavy/ normal field conditions	Yes
Long-stemmed and heavy/ sandy soil	No
Long-stemmed and heavy/ gopher mounds or rocks ⁵	No

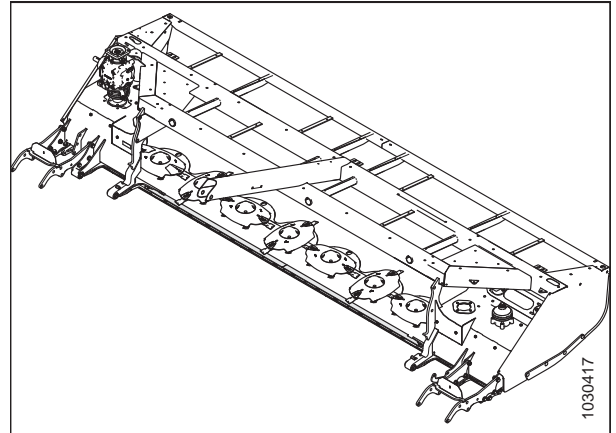


Figure 5.1: Cutterbar Deflectors

-
5. Removing the deflector helps feed dirt/rocks through the header and prevents debris build up, wear and damage from rocks.

5.2 Double Windrow Attachment – MD #C2070

This kit allows disc headers to lay a double windrow when installed on a windrower. The kit includes a draper deck, linkage assembly, hydraulics, and installation instructions.

MD #C2070 consists of:

- MD #B6693 – Deck
- MD #B6694 – Mounting frame and hydraulic/electrical connections
- Double Windrow Attachment (DWA) manual

5.3 Disc Feed Plate Kit – MD #B6669

The tall crop feed plates assist the feeding of tall crops into the conditioner by encouraging material flow from behind the cage deflectors. Do not use this kit in medium to light alfalfa as it will degrade the cutterbar's cutting performance.

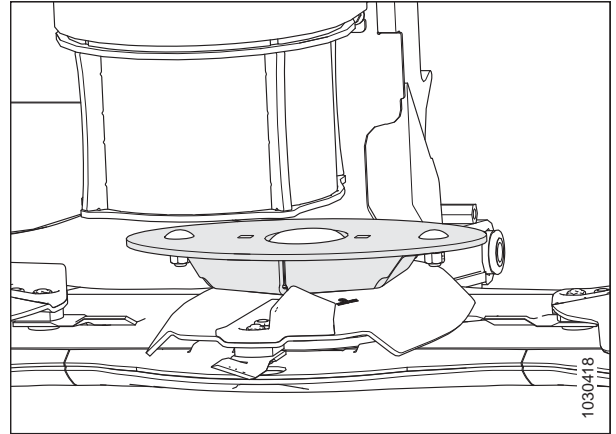


Figure 5.2: Disc Feed Plate Kit – MD #B6669

5.4 Electric Remote Baffle Kit – MD #B6664

The Electric Remote Baffle kit (MD #B6664), allows the operator to electronically adjust the disc header baffle from inside the windrower.

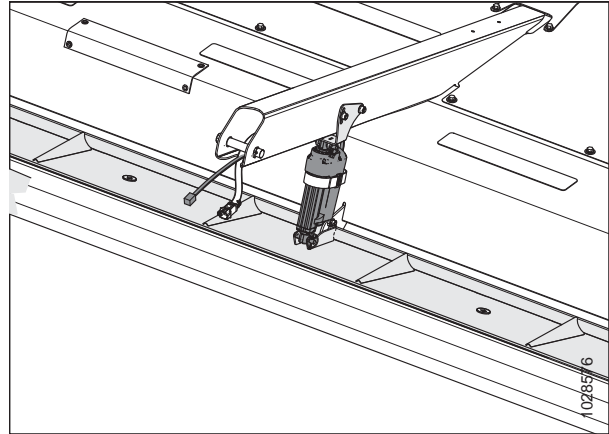


Figure 5.3: Electric Remote Baffle Kit

5.5 Adjustable Gauge Roller Kit – MD #B6855

The adjustable gauge roller kit allows the header to achieve the desired cutting height for optimum cutting performance. Adjustable gauge rollers are recommended only for dry and hard packed terrain.

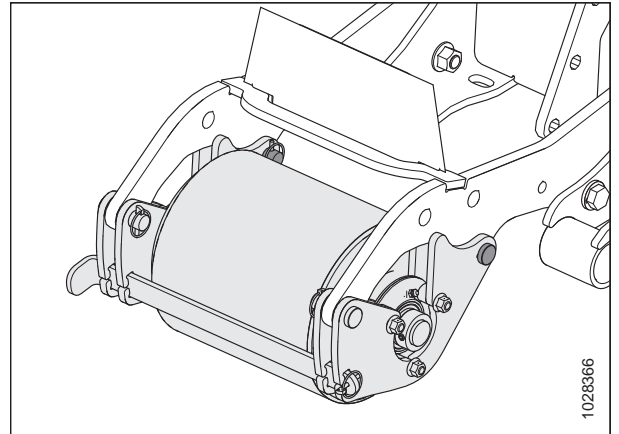


Figure 5.4: Adjustable Gauge Roller

5.6 Polyurethane Intermeshing Roller – MD #B6661

Rolls condition the crop by crimping and crushing the stem in several places, which allows the release of moisture resulting in faster drying times. A polyurethane roll conditioner is better suited for crushing stems while providing reduced crimping and is recommended for alfalfa, clover, legumes, and similar crops. The kit includes the conditioner and installation hardware.

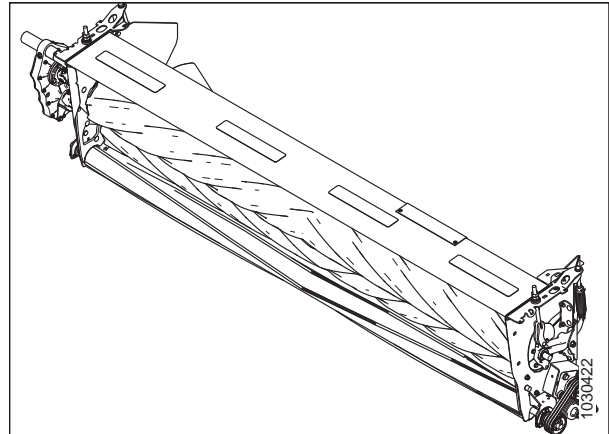


Figure 5.5: Polyurethane Intermeshing Roller – MD #B6661

5.7 Steel Intermeshing Roller – MD #B6662

Rolls condition the crop by crimping and crushing the stem in several places, which allows the release of moisture resulting in faster drying times. Steel rolls with a larger gap (up to 25 mm [1 in.]) may be desirable for thick-stemmed cane-type crops; however, too large of a gap may cause feeding problems. Steel rolls are recommended for these types of situations. The kit includes the conditioner and installation hardware.

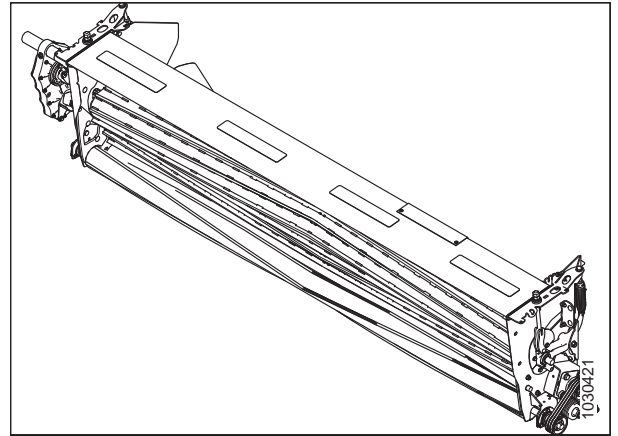


Figure 5.6: Steel Intermeshing Roller – MD #B6662

5.8 Adjustable Skid Shoes Kit – MD #B6848

The adjustable skid shoes kit allows the header to achieve the desired cutting height for optimum cutting performance. Skid shoes are recommended for most conditions including wet or muddy terrain.

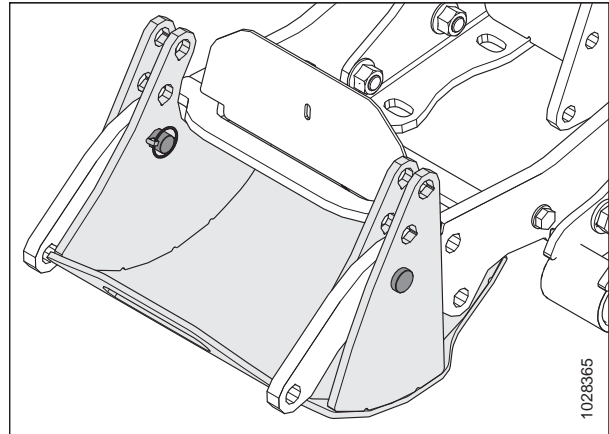


Figure 5.7: Adjustable Skid Shoe – MD #B6848

5.9 Tall Crop Divider Kit – MD #B6808

Tall crop dividers attach to the ends of the disc header for clean crop division and cutterbar entry in tall crops. The kit includes left and right dividers and attachment hardware.

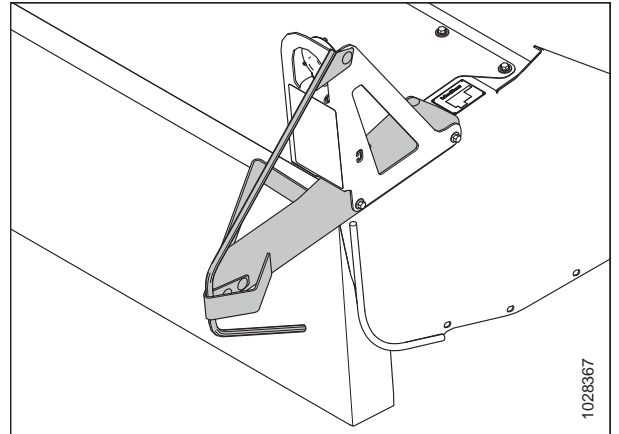


Figure 5.8: Tall Crop Divider – MD #B6808

Chapter 6: Troubleshooting

6.1 Performance Problems

Problem	Solution	Refer to
Symptom: Ragged or uneven cutting of crop		
Header angle too flat for blades to pick up downed crop	Increase header angle.	3.7.1 Cutting Height, page 47
Header float too light, causing bouncing	Adjust to heavier float setting.	Refer to windrower operator's manual
Excessive ground speed	Reduce ground speed.	—
Symptom: Strips of uncut crop left on field		
Dull, bent, or badly worn disc blades	Replace disc blades.	<ul style="list-style-type: none"> • Removing Disc Blades, page 105 • Installing Disc Blades, page 107
Buildup of dirt between rock guards	Decrease header angle and increase float. In some conditions, it may be necessary to carry header slightly with header lift cylinders.	<ul style="list-style-type: none"> • 3.7.1 Cutting Height, page 47 • Refer to windrower operator's manual
Excessive header speed	Reduce header disc speed.	—
Foreign object on cutterbar	Disengage header and stop engine. When all moving parts are completely stopped, remove foreign object.	4.6 Cutterbar System, page 83
Disc not turning	Replace spindle shear pin.	—
Ground speed too slow	Increase ground speed.	—
Symptom: Uneven formation and bunching of windrow		
Swath baffle (deflector) bypassing or dragging crop	Adjust rear deflector for proper crop control.	Positioning Rear Baffle Deflector Fins, page 63
Crop is tall/tangled.	Install tall crop feed plates.	5.3 Disc Feed Plate Kit – MD #B6669, page 173
Forming shields improperly adjusted	Adjust roll conditioner forming shields.	<ul style="list-style-type: none"> • Positioning Forming Shield Side Deflectors – Roll Conditioner, page 61 • Positioning Rear Baffle – Roll Conditioner, page 62
Roll gap too large	Adjust roll gap.	<ul style="list-style-type: none"> • Adjusting Roll Gap – Steel Rolls, page 54
Conditioner rolls running too slow	Maintain rated header speed.	Refer to windrower operator's manual
Conditioner drive belt slipping	Adjust conditioner drive belt tension.	Conditioner Drive Belt, page 160

TROUBLESHOOTING

Problem	Solution	Refer to
Symptom: Conditioner rolls plugging		
Ground speed too fast	Reduce ground speed.	—
Roll gap too large for proper feeding	Decrease roll gap.	<ul style="list-style-type: none"> • <i>Adjusting Roll Gap – Steel Rolls, page 54</i>
Roll gap too small in thick-stemmed cane-type crops	Increase roll gap.	<ul style="list-style-type: none"> • <i>Adjusting Roll Gap – Steel Rolls, page 54</i>
Swath baffle set too low	Raise swath baffle.	<i>3.8.4 Forming Shields – Roll Conditioner, page 61</i>
Roll speed too low	Increase disc speed.	—
Foreign object between rolls	Disengage header and stop engine. When all moving parts are completely stopped, remove foreign object.	<i>4.6.2 Cutterbar Discs, page 88</i>
Cutting height too low	Decrease header angle to raise cutting height.	<i>3.7.1 Cutting Height, page 47</i>
Backing into windrow	Raise header before backing up.	—
Rolls improperly timed	Adjust roll timing.	<i>Adjusting Roll Timing, page 57</i>
Conditioner drive belt slipping	Adjust conditioner drive belt tension.	<i>Conditioner Drive Belt, page 160</i>
Symptom: Uneven windrow formation in light crop		
Uneven feeding	Reduce header speed.	Refer to windrower operator's manual
Symptom: Plugging behind end hourglass deflectors		
Ground speed too slow	Increase ground speed.	—
Symptom: Not cutting short enough in down crop		
Ground speed too fast	Reduce ground speed.	—
Broken, bent, or dull blades	Turn blades over or replace blades.	<ul style="list-style-type: none"> • <i>Removing Disc Blades, page 105</i> • <i>Installing Disc Blades, page 107</i>
Cutting height too high	Adjust header angle steeper to lower cutting height if field conditions allow.	<i>3.7.1 Cutting Height, page 47</i>
Symptom: Material being pulled out by roots when cutting, and tall crop leaning into machine		
Crop in conditioner rolls before crop is cut	Increase roll gap.	<ul style="list-style-type: none"> • <i>Adjusting Roll Gap – Steel Rolls, page 54</i>
Symptom: Damaged leaves and broken stems		
Insufficient roll gap	Increase roll gap.	<ul style="list-style-type: none"> • <i>Adjusting Roll Gap – Steel Rolls, page 54</i>
Roll timing off	Check roll timing and adjust if necessary.	<ul style="list-style-type: none"> • <i>Checking Roll Timing, page 57</i> • <i>Adjusting Roll Timing, page 57</i>

TROUBLESHOOTING

Problem	Solution	Refer to
Symptom: Cutting height varies from one side to the other		
Float not properly balanced	Adjust header float.	Refer to windrower operator's manual
Symptom: Slow crop drying		
Crop is bunched in windrow	Adjust forming shields/baffle.	<ul style="list-style-type: none"> • <i>Positioning Forming Shield Side Deflectors – Roll Conditioner, page 61</i> • <i>Positioning Rear Baffle Deflector Fins, page 63</i>
Rolls not crimping crop sufficiently	Decrease roll gap.	<ul style="list-style-type: none"> • <i>Adjusting Roll Gap – Steel Rolls, page 54</i>
Symptom: Excessive drying or bleaching of crop		
Excessive crimping	Increase roll gap.	<ul style="list-style-type: none"> • <i>Adjusting Roll Gap – Steel Rolls, page 54</i>
Crop is spread too wide in windrow	Adjust forming shields.	<ul style="list-style-type: none"> • <i>Positioning Forming Shield Side Deflectors – Roll Conditioner, page 61</i> • <i>Positioning Rear Baffle Deflector Fins, page 63</i>
Symptom: Poorly formed or bunchy windrows		
Forming shields not properly positioned	Adjust forming shields.	<ul style="list-style-type: none"> • <i>Positioning Forming Shield Side Deflectors – Roll Conditioner, page 61</i> • <i>Positioning Rear Baffle Deflector Fins, page 63</i>

6.2 Mechanical Problems

Problem	Solution	Refer to
Symptom: Excessive noise		
Bent disc blade	Replace blade.	<ul style="list-style-type: none"> • <i>Removing Disc Blades, page 105</i> • <i>Installing Disc Blades, page 107</i>
Conditioner roll timing off	Check roll timing and adjust if necessary.	<ul style="list-style-type: none"> • <i>Checking Roll Timing, page 57</i> • <i>Adjusting Roll Timing, page 57</i>
Bent drum deflector	Replace drum.	<i>4.6.7 Drums, page 114</i>
Conditioner roll gap too small	Check gap and adjust if necessary.	<ul style="list-style-type: none"> • <i>Adjusting Roll Gap – Steel Rolls, page 54</i>
Symptom: Excessive vibration or noise in header		
Mud deposits on conditioner rolls	Clean rolls.	—
Conditioner rolls contacting each other	Increase roll gap.	<ul style="list-style-type: none"> • <i>Adjusting Roll Gap – Steel Rolls, page 54</i>
Conditioner rolls contacting each other	Check roll timing.	<i>Checking Roll Timing, page 57</i>
Symptom: Excessive heat in cutterbar		
Incorrect level of lubricant in cutterbar —either too little or too much	Drain lubricant and refill with specified amount.	<i>Draining the Cutterbar, page 86</i>
Symptom: Spindle bearing failure		
Material wrapped around spindle	Remove disc and remove material.	<ul style="list-style-type: none"> • <i>Removing Disc Blades, page 105</i> • <i>Installing Disc Blades, page 107</i>
Unbalanced drums/discs	Replace unbalanced components	<ul style="list-style-type: none"> • <i>4.6.2 Cutterbar Discs, page 88</i> • <i>4.6.7 Drums, page 114</i>
Symptom: Frequent blade damage		
Mud on cutterbar	Remove mud from cutterbar. Do NOT allow mud to dry on cutterbar.	—
Header float set too heavy	Increase float.	Refer to windrower operator’s manual
Cutting too low in rocky field conditions	Decrease header angle, increase float.	<ul style="list-style-type: none"> • <i>3.7.1 Cutting Height, page 47</i> • Refer to windrower operator’s manual
Ground speed too high in rocky field conditions. At high ground speed, header tends to dig rocks from ground instead of floating over them	Reduce ground speed.	—
Disc blades incorrectly mounted	Check all blade mounting hardware and ensure blades are free to move.	<i>Inspecting Disc Blade Hardware, page 103</i>

TROUBLESHOOTING

Problem	Solution	Refer to
Symptom: Excessive wear of cutting components		
Header angle too steep	Reduce header angle.	<i>3.7.1 Cutting Height, page 47</i>
Crop residue and dirt deposits on cutterbar	Clean cutterbar.	—
Mud on cutterbar	Remove mud from cutterbar. Do NOT allow mud to dry on cutterbar.	—
Symptom: Machine pulling to one side		
Header dragging on one end and pulling to that side	Adjust header float on both ends.	Refer to windrower operator's manual
Symptom: Breakage of conditioner roll timing belt		
Belt not in proper groove in pulley	Move belt to proper groove.	<i>Inspecting Conditioner Drive Belt, page 160</i>
Foreign object between rolls	Disengage header and stop the engine. When all moving parts are completely stopped, remove foreign object.	<i>4.10.1 Inspecting Conditioner, page 158</i>
Belt pulleys and idlers misaligned	Align pulleys and idler.	See MacDon Dealer
Symptom: Conditioner roll does not rotate		
Faulty drive belt	Check drive belt pulleys.	<i>Inspecting Conditioner Drive Belt, page 160</i>
Symptom: Disc does not turn when engaging header		
Hoses not connected	Connect hoses.	<i>3.3 Attaching Rotary Disc Header to M1240 Windrower, page 22</i>
Poor electrical connection at pump solenoid	Check connection at windrower.	Refer to windrower operator's manual
Symptom: Header runs while unloaded, but slows or stops when starting to cut		
Defective hydraulic motor	Repair/replace hydraulic motor.	See MacDon Dealer
Defective hydraulic pump in windrower	Repair/replace pump.	See MacDon Dealer
Defective relief valve in windrower	Repair/replace relief valve.	See MacDon Dealer
Cold oil in hydraulic drive system	Reduce ground speed until oil reaches operating temperature.	—

Chapter 7: Reference

7.1 Torque Specifications

The following tables provide correct torque values for various bolts, cap screws, and hydraulic fittings.

- Tighten all bolts to torque values specified in charts (unless otherwise noted throughout this manual).
- Replace hardware with same strength and grade of bolt.
- Use torque value tables as a guide and periodically check tightness of bolts.
- Understand torque categories for bolts and cap screws by using their identifying head markings.

Jam nuts

When applying torque to finished jam nuts, multiply the torque applied to regular nuts by $f=0.65$.

Self-tapping screws

Standard torque is to be used (**NOT** to be used on critical or structurally important joints).

7.1.1 Metric Bolt Specifications

Table 7.1 Metric Class 8.8 Bolts and Class 9 Free Spinning Nut

Nominal Size (A)	Torque (Nm)		Torque (lbf·ft) (*lbf·in)	
	Min.	Max.	Min.	Max.
3-0.5	1.4	1.6	*13	*14
3.5-0.6	2.2	2.5	*20	*22
4-0.7	3.3	3.7	*29	*32
5-0.8	6.7	7.4	*59	*66
6-1.0	11.4	12.6	*101	*112
8-1.25	28	30	20	23
10-1.5	55	60	40	45
12-1.75	95	105	70	78
14-2.0	152	168	113	124
16-2.0	236	261	175	193
20-2.5	460	509	341	377
24-3.0	796	879	589	651

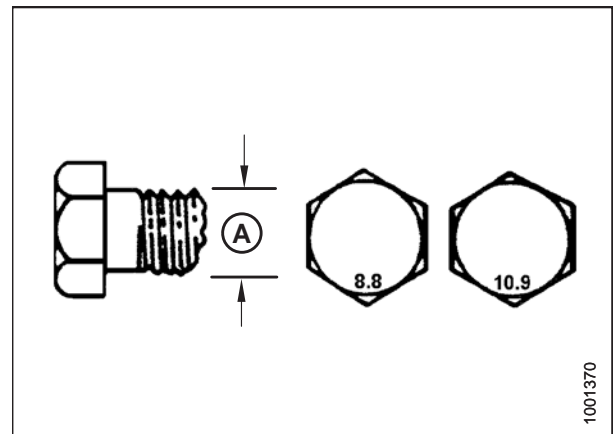


Figure 7.1: Bolt Grades

1001370

REFERENCE

Table 7.2 Metric Class 8.8 Bolts and Class 9 Distorted Thread Nut

Nominal Size (A)	Torque (Nm)		Torque (lbf-ft) (*lbf-in)	
	Min.	Max.	Min.	Max.
3-0.5	1	1.1	*9	*10
3.5-0.6	1.5	1.7	*14	*15
4-0.7	2.3	2.5	*20	*22
5-0.8	4.5	5	*40	*45
6-1.0	7.7	8.6	*69	*76
8-1.25	18.8	20.8	*167	*185
10-1.5	37	41	28	30
12-1.75	65	72	48	53
14-2.0	104	115	77	85
16-2.0	161	178	119	132
20-2.5	314	347	233	257
24-3.0	543	600	402	444

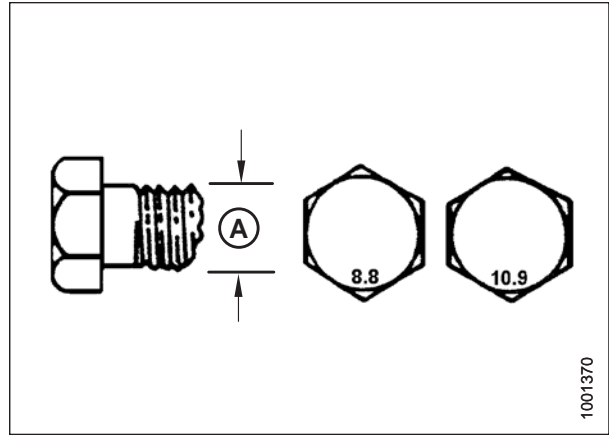


Figure 7.2: Bolt Grades

Table 7.3 Metric Class 10.9 Bolts and Class 10 Free Spinning Nut

Nominal Size (A)	Torque (Nm)		Torque (lbf-ft) (*lbf-in)	
	Min.	Max.	Min.	Max.
3-0.5	1.8	2	*18	*19
3.5-0.6	2.8	3.1	*27	*30
4-0.7	4.2	4.6	*41	*45
5-0.8	8.4	9.3	*82	*91
6-1.0	14.3	15.8	*140	*154
8-1.25	38	42	28	31
10-1.5	75	83	56	62
12-1.75	132	145	97	108
14-2.0	210	232	156	172
16-2.0	326	360	242	267
20-2.5	637	704	472	521
24-3.0	1101	1217	815	901

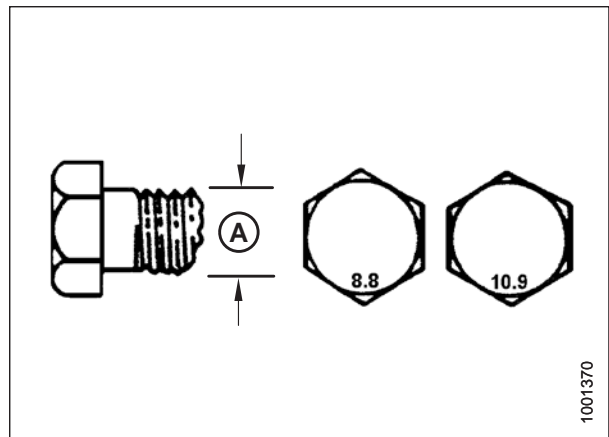


Figure 7.3: Bolt Grades

REFERENCE

Table 7.4 Metric Class 10.9 Bolts and Class 10 Distorted Thread Nut

Nominal Size (A)	Torque (Nm)		Torque (lbf-ft) (*lbf-in)	
	Min.	Max.	Min.	Max.
3-0.5	1.3	1.5	*12	*13
3.5-0.6	2.1	2.3	*19	*21
4-0.7	3.1	3.4	*28	*31
5-0.8	6.3	7	*56	*62
6-1.0	10.7	11.8	*95	*105
8-1.25	26	29	19	21
10-1.5	51	57	38	42
12-1.75	90	99	66	73
14-2.0	143	158	106	117
16-2.0	222	246	165	182
20-2.5	434	480	322	356
24-3.0	750	829	556	614

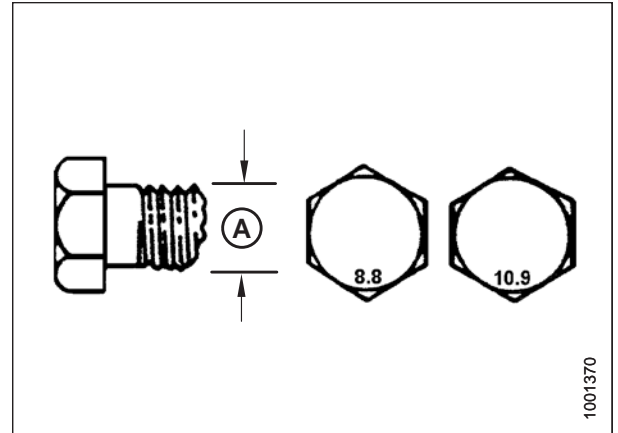


Figure 7.4: Bolt Grades

7.1.2 Metric Bolt Specifications Bolting into Cast Aluminum

Table 7.5 Metric Bolt Bolting into Cast Aluminum

Nominal Size (A)	Bolt Torque			
	8.8 (Cast Aluminum)		10.9 (Cast Aluminum)	
	Nm	lbf-ft	Nm	lbf-ft
M3	-	-	-	1
M4	-	-	4	2.6
M5	-	-	8	5.5
M6	9	6	12	9
M8	20	14	28	20
M10	40	28	55	40
M12	70	52	100	73
M14	-	-	-	-
M16	-	-	-	-

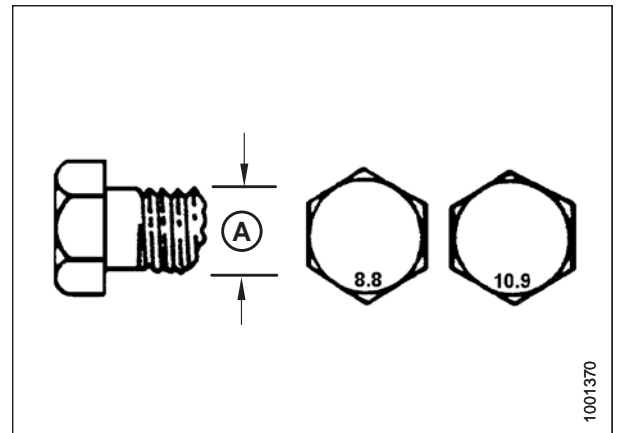


Figure 7.5: Bolt Grades

7.1.3 O-Ring Boss Hydraulic Fittings – Adjustable

1. Inspect O-ring (A) and seat (B) for dirt or obvious defects.
2. Back off lock nut (C) as far as possible. Ensure that washer (D) is loose and is pushed toward lock nut (C) as far as possible.
3. Check that O-ring (A) is **NOT** on threads and adjust if necessary.
4. Apply hydraulic system oil to O-ring (A).

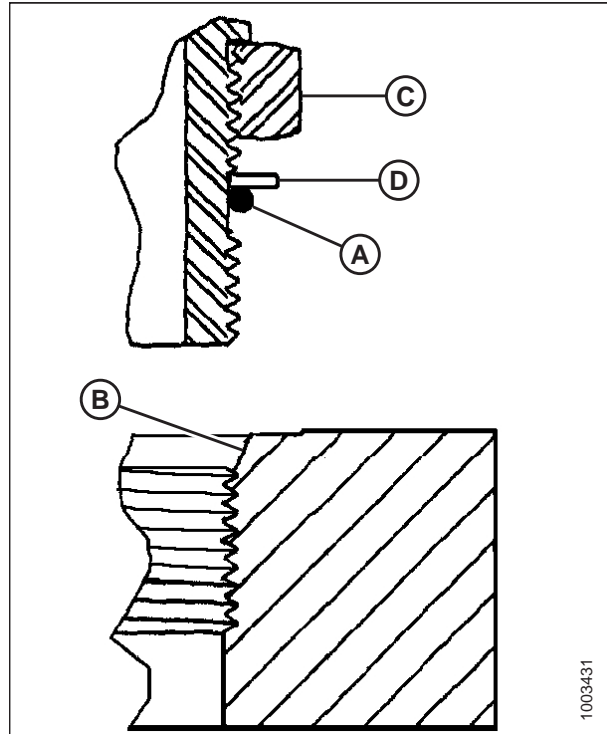


Figure 7.6: Hydraulic Fitting

5. Install fitting (B) into port until backup washer (D) and O-ring (A) contact part face (E).
6. Position angle fittings by unscrewing no more than one turn.
7. Turn lock nut (C) down to washer (D) and tighten to torque shown. Use two wrenches, one on fitting (B) and other on lock nut (C).
8. Check final condition of fitting.

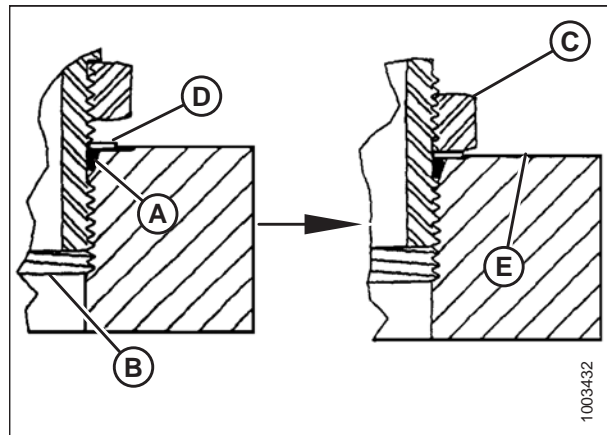


Figure 7.7: Hydraulic Fitting

REFERENCE

Table 7.6 O-Ring Boss (ORB) Hydraulic Fittings – Adjustable

SAE Dash Size	Thread Size (in.)	Torque Value ⁶	
		Nm	lbf·ft (*lbf·in)
-2	5/16-24	6-7	*53-62
-3	3/8-24	12-13	*106-115
-4	7/16-20	19-21	14-15
-5	1/2-20	21-33	15-24
-6	9/16-18	26-29	19-21
-8	3/4-16	46-50	34-37
-10	7/8-14	75-82	55-60
-12	1 1/16-12	120-132	88-97
-14	1 3/8-12	153-168	113-124
-16	1 5/16-12	176-193	130-142
-20	1 5/8-12	221-243	163-179
-24	1 7/8-12	270-298	199-220
-32	2 1/2-12	332-365	245-269

6. Torque values shown are based on lubricated connections as in reassembly.

REFERENCE

7.1.4 O-Ring Boss Hydraulic Fittings – Non-Adjustable

1. Inspect O-ring (A) and seat (B) for dirt or obvious defects.
2. Check that O-ring (A) is **NOT** on threads and adjust if necessary.
3. Apply hydraulic system oil to O-ring.
4. Install fitting (C) into port until fitting is hand-tight.
5. Torque fitting (C) according to values in Table 7.7, page 192.
6. Check final condition of fitting.

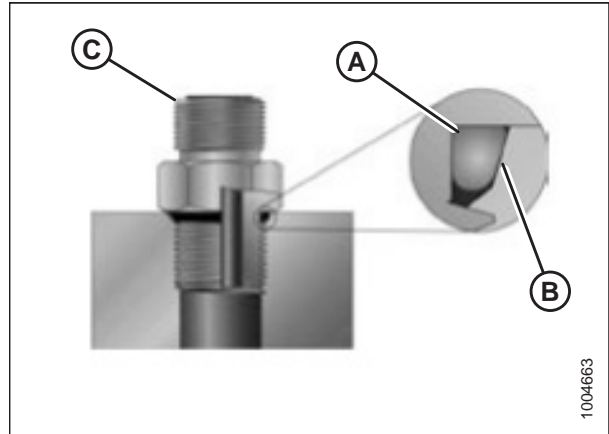


Figure 7.8: Hydraulic Fitting

Table 7.7 O-Ring Boss (ORB) Hydraulic Fittings – Non-Adjustable

SAE Dash Size	Thread Size (in.)	Torque Value ⁷	
		Nm	lbf-ft (*lbf-in)
-2	5/16-24	6-7	*53-62
-3	3/8-24	12-13	*106-115
-4	7/16-20	19-21	14-15
-5	1/2-20	21-33	15-24
-6	9/16-18	26-29	19-21
-8	3/4-16	46-50	34-37
-10	7/8-14	75-82	55-60
-12	1 1/16-12	120-132	88-97
-14	1 3/8-12	153-168	113-124
-16	1 5/16-12	176-193	130-142
-20	1 5/8-12	221-243	163-179
-24	1 7/8-12	270-298	199-220
-32	2 1/2-12	332-365	245-269

7. Torque values shown are based on lubricated connections as in reassembly.

7.1.5 O-Ring Face Seal Hydraulic Fittings

1. Check components to ensure that sealing surfaces and fitting threads are free of burrs, nicks, scratches, or any foreign material.



Figure 7.9: Hydraulic Fitting

2. Apply hydraulic system oil to O-ring (B).
3. Align tube or hose assembly so that flat face of sleeve (A) or (C) comes in full contact with O-ring (B).
4. Thread tube or hose nut (D) until hand-tight. The nut should turn freely until it is bottomed out.
5. Torque fittings according to values in Table 7.8, page 193.

NOTE:

If applicable, hold hex on fitting body (E) to prevent rotation of fitting body and hose when tightening fitting nut (D).

6. Use three wrenches when assembling unions or joining two hoses together.
7. Check final condition of fitting.

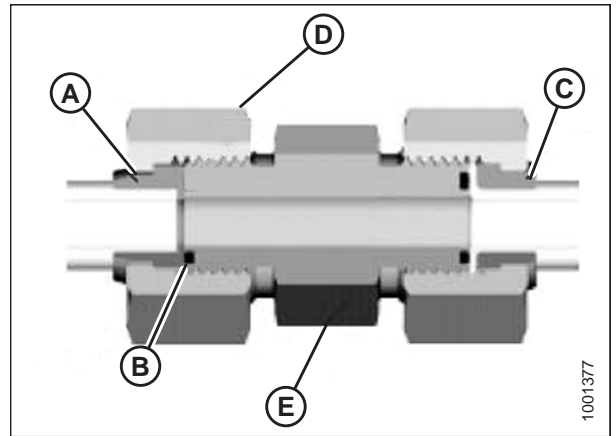


Figure 7.10: Hydraulic Fitting

Table 7.8 O-Ring Face Seal (ORFS) Hydraulic Fittings

SAE Dash Size	Thread Size (in.)	Tube O.D. (in.)	Torque Value ⁸	
			Nm	lbf-ft
-3	Note ⁹	3/16	–	–
-4	9/16	1/4	25–28	18–21
-5	Note ⁹	5/16	–	–
-6	11/16	3/8	40–44	29–32
-8	13/16	1/2	55–61	41–45
-10	1	5/8	80–88	59–65
-12	1 3/16	3/4	115–127	85–94
-14	Note ⁹	7/8	–	–

8. Torque values and angles shown are based on lubricated connection as in reassembly.

9. O-ring face seal type end not defined for this tube size.

REFERENCE

Table 7.8 O-Ring Face Seal (ORFS) Hydraulic Fittings (continued)

SAE Dash Size	Thread Size (in.)	Tube O.D. (in.)	Torque Value ¹⁰	
			Nm	lbf-ft
-16	1 7/16	1	150–165	111–122
-20	1 11/16	1 1/4	205–226	151–167
-24	1–2	1 1/2	315–347	232–256
-32	2 1/2	2	510–561	376–414

7.1.6 Tapered Pipe Thread Fittings

Assemble pipe fittings as follows:

1. Check components to ensure that fitting and port threads are free of burrs, nicks, scratches, or any form of contamination.
2. Apply pipe thread sealant (paste type) to external pipe threads.
3. Thread fitting into port until hand-tight.
4. Torque connector to appropriate torque angle. The turns from finger tight (TFFT) and flats from finger tight (FFFT) values are shown in Table 7.9, page 194. Make sure that tube end of a shaped connector (typically 45° or 90°) is aligned to receive incoming tube or hose assembly. Always finish alignment of fitting in tightening direction. Never back off (loosen) pipe threaded connectors to achieve alignment.
5. Clean all residue and any excess thread conditioner with appropriate cleaner.
6. Assess final condition of fitting. Pay special attention to possibility of cracks to port opening.
7. Mark final position of fitting. If a fitting leaks, disassemble fitting and check for damage.

NOTE:

Overtorque failure of fittings may not be evident until fittings are disassembled.

Table 7.9 Hydraulic Fitting Pipe Thread

Tapered Pipe Thread Size	Recommended TFFT	Recommended FFFT
1/8–27	2–3	12–18
1/4–18	2–3	12–18
3/8–18	2–3	12–18
1/2–14	2–3	12–18
3/4–14	1.5–2.5	12–18
1–11 1/2	1.5–2.5	9–15
1 1/4–11 1/2	1.5–2.5	9–15
1 1/2–11 1/2	1.5–2.5	9–15
2–11 1/2	1.5–2.5	9–15

10. Torque values and angles shown are based on lubricated connection as in reassembly.

7.2 Conversion Chart

Table 7.10 Conversion Chart

Quantity	SI Units (Metric)		Factor	US Customary Units (Standard)	
	Unit Name	Abbreviation		Unit Name	Abbreviation
Area	hectare	ha	$\times 2.4710 =$	acre	acres
Flow	liters per minute	L/min	$\times 0.2642 =$	US gallons per minute	gpm
Force	Newton	N	$\times 0.2248 =$	pound force	lbf
Length	millimeter	mm	$\times 0.0394 =$	inch	in.
Length	meter	m	$\times 3.2808 =$	foot	ft.
Power	kilowatt	kW	$\times 1.341 =$	horsepower	hp
Pressure	kilopascal	kPa	$\times 0.145 =$	pounds per square inch	psi
Pressure	megapascal	MPa	$\times 145.038 =$	pounds per square inch	psi
Pressure	bar (Non-SI)	bar	$\times 14.5038 =$	pounds per square inch	psi
Torque	Newton meter	Nm	$\times 0.7376 =$	pound feet or foot pounds	lbf-ft
Torque	Newton meter	Nm	$\times 8.8507 =$	pound inches or inch pounds	lbf-in
Temperature	degrees Celsius	°C	$(^{\circ}\text{C} \times 1.8) + 32 =$	degrees Fahrenheit	°F
Velocity	meters per minute	m/min	$\times 3.2808 =$	feet per minute	ft/min
Velocity	meters per second	m/s	$\times 3.2808 =$	feet per second	ft/s
Velocity	kilometers per hour	km/h	$\times 0.6214 =$	miles per hour	mph
Volume	liter	L	$\times 0.2642 =$	US gallon	US gal
Volume	milliliter	mL	$\times 0.0338 =$	ounce	oz.
Volume	cubic centimeter	cm ³ or cc	$\times 0.061 =$	cubic inch	in. ³
Weight	kilogram	kg	$\times 2.2046 =$	pound	lb.

Index

A

accelerators.....	108
inspecting.....	108
installing.....	111
removing.....	109
adjustable skid shoes kit.....	178
API	
definition.....	16
ASTM	
definition.....	16
attachments, <i>See</i> options and attachments	

B

belts	
inspecting conditioner drive belt.....	160
installing conditioner drive belt.....	163
left suspended drum	
replacing.....	120
removing conditioner drive belt.....	162
right suspended drum	
replacing.....	124
bolts	
definition.....	16
break-in	
break-in inspections.....	78
break-in period.....	19

C

center-links	
definition.....	16
CGVW	
definition.....	16
conditioner drive belts.....	160
conditioner roll timing gearbox, <i>See</i> gearboxes	
conditioners	
adjusting roll gap.....	54–55
adjusting roll tension.....	56
adjusting roll timing.....	57
checking roll timing.....	57
drive belt.....	160
inspecting.....	158
inspecting drive belt.....	160
installing drive belt.....	163
polyurethane rolls.....	55
removing drive belt.....	162
roll conditioners.....	54, 158
steel rolls.....	54
conversion chart.....	195
curtains.....	45, 155

closing.....	46
inspecting.....	155
installing.....	157
opening.....	45
removing.....	156
cutterbar angles	
adjusting angle.....	52
cutterbar discs.....	88
cutterbars.....	83, 108, 138
<i>See also</i> accelerators	
<i>See also</i> spindle shear pins	
crop streams.....	146
changing configuration.....	147
deflectors.....	65
installing.....	66
removing.....	65
disc blades.....	101
drums.....	114
inspecting cutterbar discs.....	89
lubricating.....	83, 86–87
adding lubricant.....	83
checking lubricant level.....	83
maintaining cutterbar discs	
installing discs.....	92
removing discs.....	90
cutting height	
adjusting cutting height.....	47
adjusting gauge roller height.....	49
adjusting skid shoes height.....	48

D

daily start-up check.....	71
decals.....	9
definition of terms.....	16
deflectors	
cutterbar deflectors.....	65
installing.....	66
removing.....	65
side deflectors	
positioning on roll conditioner.....	61
disc blades.....	101
<i>See also</i> cutterbars	
inspecting.....	102
inspecting hardware.....	103
installing.....	107
maintaining.....	101
removing.....	105
disc maintenance	
accelerators.....	108
inspecting.....	108
installing.....	111

INDEX

removing.....	109
cutterbar discs	
inspecting.....	89
installing	92
removing.....	90
drive systems	
conditioner drive belts	160
header drive gearbox.....	152
driven drums	126, 135
driveshields	42
closing	44
installing.....	166
opening.....	42
removing	165
drums.....	114
inspecting	115
left driven drums	
installing left driven drums	129
removing left driven drums	126
left suspended drums belt	
replacing	120
right driven drums	
installing right driven drums	135
removing right driven drums.....	132
right suspended drums belt	
replacing	124
suspended drums	
installing	119
removing.....	117
drying agents.....	68

E

electrical system.....	168
maintaining.....	168
replacing header disc speed sensor	169
replacing light fixture.....	168
engine-forward	
definition.....	16

F

FFFT	
definition.....	16
finger tight	
definition.....	16
fluids, <i>See</i> lubricants	
forming shields	
installing	22
on roll conditioner.....	61–62
positioning side deflectors.....	61
positioning rear baffle.....	62
positioning rear baffle deflector fins	63
removing	40

G

gearboxes	149
conditioner roll timing gearbox	
checking and changing gearbox oil.....	149
checking gearbox oil.....	149
header drive	
changing oil	154
checking oil.....	152
glossary	16
greasing	
greasing procedures	80
maintenance schedule/records.....	76
ground speed	53
GVW	
definition.....	16

H

hayting tips	67
chemical drying agents.....	68
curing	67
driving on windrows	68
topsoil moisture.....	67
weather and topography.....	67
windrow characteristics.....	68
header disc speed sensor	
replacing	169
headers	
adjusting header angle.....	52
float.....	52
maintenance and servicing	71
recommended settings.....	47
transporting	69
hex keys	
definition.....	16
hydraulics	
fittings	
O-ring boss (ORB) adjustable	190
O-ring boss (ORB) non-adjustable	192
O-ring face seal (ORFS)	193
tapered pipe thread fittings.....	194
hoses and lines	170
hydraulic safety	6
maintenance	170

I

inspections.....	115
accelerators	108
break-in.....	78
cutterbar curtain.....	155
cutterbar discs.....	89
disc blade hardware	103
disc blades.....	102

INDEX

- maintenance schedule/records..... 76
- L**
- lights
 - replacing amber hazard/signal lights..... 168
- lubricants
 - recommended lubricants..... 201
- lubricating..... 80
 - See also greasing*
 - cutterbars..... 83
- lubrication
 - locations..... 81
- M**
- maintenance and servicing
 - break-in inspections 78
 - break-in period 19
 - end-of-season servicing..... 79
 - maintenance requirements..... 76
 - maintenance schedule/records..... 76
 - preparing for servicing 73
 - preseason/annual servicing..... 78
 - recommended lubricants..... 201
 - safety..... 5
 - safety procedures 74
- metric bolts
 - torque specifications 187
- moisture 67
- N**
- noise levels 2
- NPT
 - definition..... 16
- O**
- operations
 - header 19
 - header angle 52
 - roll gaps 54
 - roll tension..... 56
 - roll timing 57
- options and attachments 101, 171
 - adjustable gauge roller kit – MD #B6855 175
 - adjustable skid shoes kit – MD #B6848 178
 - cutterbar deflectors – MD #6847 171
 - disc feed plate kit – MD #6669 173
 - double windrow attachment (DWA) 172
 - electric remote baffle kit – MD #6664..... 174
 - polyurethane Intermeshing roller – MD #B6661 176
 - steel Intermeshing roller – MD #B6662 177
 - tall crop divider kit – MD #6808..... 179
- ORB
 - definition..... 16
- P**
- preseason servicing 78
- R**
- R2 SP Series
 - definition..... 16
- R216 SP
 - attaching header..... 24
 - connecting hydraulics 29
 - detaching header 36
- rear baffle deflector fins
 - positioning..... 63
- rear baffles
 - positioning on roll conditioner..... 62
- recommended settings
 - header 47
- reference
 - maintenance requirements 76
 - torque specifications 187
- rock guards
 - inspecting 112
 - installing..... 114
 - maintaining..... 112
 - removing 113
- roll conditioners 54, 158
 - deflectors 61
 - forming shields 61
 - roll gaps 54
 - roll tension..... 56
 - roll timing 57
- roll gaps..... 54
 - adjusting roll gap 54–55
 - polyurethane rolls 55
 - steel rolls..... 54
- roll tension..... 56
 - adjusting 56
- roll timing 57
 - adjusting 57
 - checking..... 57
- roll-type conditioning, *See* roll conditioners
- rpm
 - definition..... 16
- S**
- SAE
 - definition..... 16

INDEX

safety	1
daily start-up checks	71
general safety	3
hydraulic safety	6
maintenance safety	5
noise levels	2
procedures	74
safety alert symbols	1
safety sign decals	8
installing decals	8
locations	9
signal words	2
understanding safety signs	11
screws	
definition	16
SDD	
definition	16
sensors	
header disc speed	169
serial numbers	v
servicing	
maintenance and servicing	71
preparing for servicing	73
soft joints	
definition	16
specifications	
header	13
torque specifications	187
spindle shear pins	138
installing	143
removing	139
spindles	
changing	93
installing	96
removing	94
rotating	93
start-up procedures	
daily start-up check	71

T

TFFT	
definition	16
topography	67
torque	
definition	16
torque angles	
definition	16
torque specifications	187
metric bolt specifications	187
bolting into cast aluminum	189
O-ring boss (ORB) hydraulic fittings – adjustable	190
O-ring boss (ORB) hydraulic fittings – non- adjustable	192
O-ring face seal (ORFS) fittings	193

tapered pipe thread fittings	194
torque-tension	
definition	16
transporting the header	69
troubleshooting	
mechanical	184
performance	181

W

washers	
definition	16
weather	67
windrowers	
definition	16
windrows	
driving on windrows	68
windrow characteristics	68

Recommended Lubricants

Keep your machine operating at top efficiency by using only clean lubricants and by ensuring the following:

- Use clean containers to handle all lubricants.
- Store lubricants in an area protected from dust, moisture, and other contaminants.

IMPORTANT:

Do **NOT** overfill the cutterbar when adding lubricant. Overfilling could result in overheating and failure of cutterbar components.

Table .11 Recommended Lubricants

Specification	Description	Use	Capacities
Lubricant: Grease			
SAE Multipurpose	High temperature extreme pressure (EP) performance with 1% max. Molybdenum Disulphide (NLGI Grade 2) lithium base	As required unless otherwise specified	—
SAE Multipurpose	High temperature extreme pressure (EP) performance with 10% max. Molybdenum Disulphide (NLGI Grade 2) lithium base	Driveline slip-joints	—
Lubricant: Gear Lubricant			
SAE 80W-90	High thermal and oxidation stability API service class GL-5	4.9 m (16 ft.) cutterbar	10 liters (10.5 qts [US])
SAE 85W-140	Gear lubricant API service class GL-5	Conditioner roll timing gearbox	0.7 liters (0.75 qts [US])
SAE 80W-140	Fully Synthetic Oil API GL-5 Minimum, SAE J2360 Preferred	Header drive 90 degree gearbox	1.8 liters (1.9 qts [US])

MacDon Industries Ltd.

680 Moray Street
Winnipeg, Manitoba
Canada R3J 3S3
t. (204) 885-5590 f. (204) 832-7749

MacDon, Inc.

10708 N. Pomona Avenue
Kansas City, Missouri
United States 64153-1924
t. (816) 891-7313 f. (816) 891-7323

MacDon Australia Pty. Ltd.

A.C.N. 079 393 721
P.O. Box 103 Somerton, Victoria, Australia
Australia 3061
t.+61 3 8301 1911 f.+61 3 8301 1912

MacDon Brasil Agribusiness Ltda.

Rua Grã Nicco, 113, sala 404, B. 04
Mossunguê, Curitiba, Paraná
CEP 81200-200 Brasil
t. +55 (41) 2101-1713 f. +55 (41) 2101-1699

LLC MacDon Russia Ltd.

123317 Moscow, Russia
10 Presnenskaya nab, Block C
Floor 5, Office No. 534, Regus Business Centre
t. +7 495 775 6971 f. +7 495 967 7600

MacDon Europe GmbH

Hagenauer Strasse 59
65203 Wiesbaden
Germany

CUSTOMERS

MacDon.com

DEALERS

Portal.MacDon.com

Trademarks of products are the marks of their
respective manufacturers and/or distributors.

Printed in Canada