

R113

Self-Propelled Disc Header

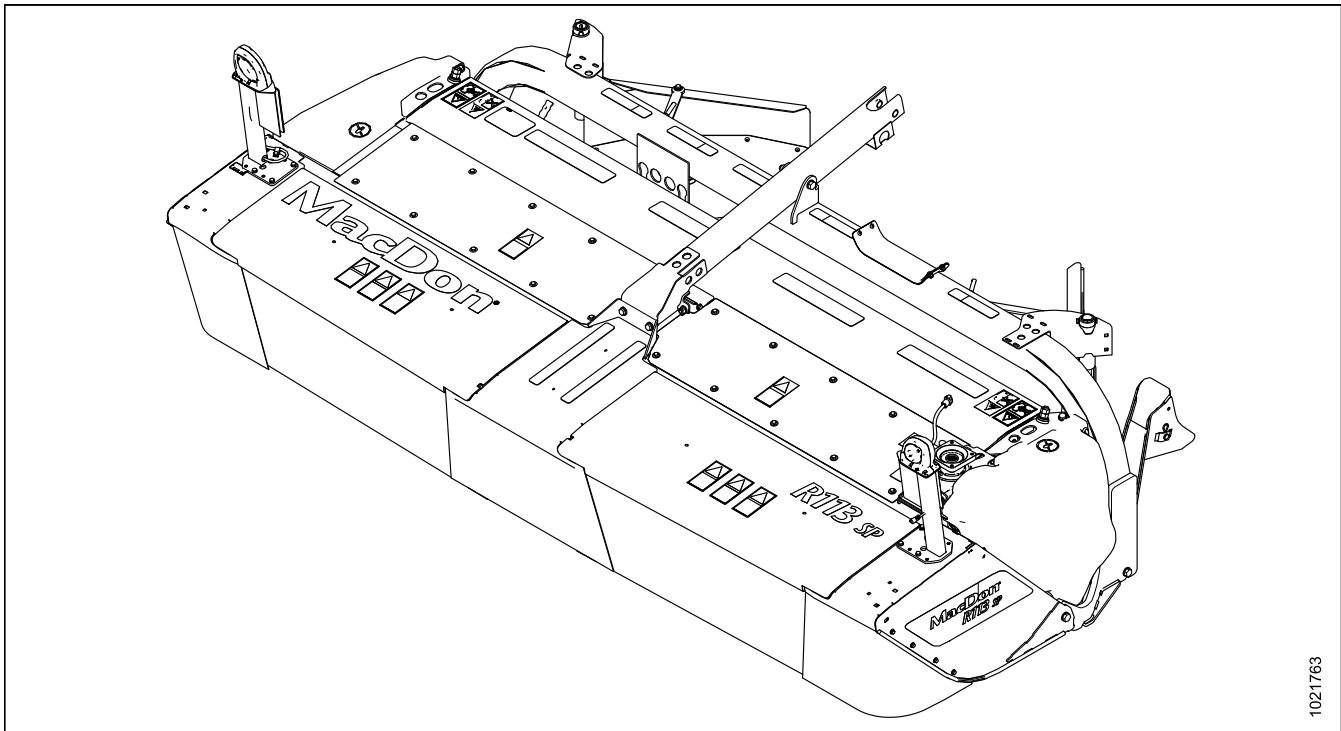
Operator's Manual

214504 Revision A

2018 Model Year

Original Instruction

R113 SP Disc Header



1021763

Published February 2018

Noise Levels

The A-weighted sound pressure level inside the operator's station of a typical self-propelled vehicle (e.g., M1170), when operated in conjunction with this R113 SP Disc Header, is **70 dBA**. This measurement was taken in accordance with ISO 5131. The sound pressure level depends upon the rotary disc speed, crop conditions, as well as the exact type of self-propelled vehicle used to power the R113.

Declaration of Conformity

Figure 1. EC Declaration of Conformity


	EN	BG	CZ	DA
 <h2 style="text-align: center;">EC Declaration of Conformity</h2> <p>[1] MacDon MacDon Industries Ltd. 680 Moray Street, Winnipeg, Manitoba, Canada R3J 3S3</p> <p>[2] Disc Header</p> <p>[3] MacDon R1 Series</p>	<p>Vi, [1]</p> <p>Prohláštujeme, že produkt:</p> <p>Typ zařízení: [2]</p> <p>Název a model: [3]</p> <p>Sériové(a) číslo(a): [4]</p> <p>spĺňuje všechna relevantní ustanovení směrnice 2006/42/EC.</p> <p>Byly použity harmonizované standardy, jak je uvedeno v článku 7(2):</p> <p style="text-align: center;">EN ISO 4254-1:2013 EN ISO 4254-7:2009</p> <p>Místo a datum prohlášení: [5]</p> <p>Identita a podpis osoby oprávněné k vydání prohlášení: [6]</p> <p>Jméno a adresa osoby oprávněné k vyplnění technického souboru:</p> <p>Benedikt von Riedesel generální ředitel, MacDon Europe GmbH Hagenauer Straße 59 65203 Wiesbaden (Německo) bvonriedesel@macdon.com</p>	<p>Meie, [1]</p> <p>deklareerime, et toode</p> <p>Seadme tüüp: [2]</p> <p>Nimi ja mudel: [3]</p> <p>Seerianumbrid: [4]</p> <p>vastab kõigile direktiivi 2006/42/EÜ asjakohastele sätetele.</p> <p>Kasutatud on järgnevaid harmoniseeritud standardeid, millele on viidatud ka punktis 7(2):</p> <p style="text-align: center;">EN ISO 4254-1:2013 EN ISO 4254-7:2009</p> <p>Deklaratsiooni koht ja kuupäev: [5]</p> <p>Deklaratsiooni koostamiseks volitatud isiku nimi ja aadress: [6]</p> <p>Tehnilise dokumendi koostamiseks volitatud isiku nimi ja aadress:</p> <p>Benedikt von Riedesel Peadirektor, MacDon Europe GmbH Hagenauer Straße 59 65203 Wiesbaden (Saksamaa) bvonriedesel@macdon.com</p>	<p>Nous soussignés, [1]</p> <p>Déclarons que le produit :</p> <p>Type de machine : [2]</p> <p>Nom et modèle : [3]</p> <p>Numéro(s) de série : [4]</p> <p>Est conforme à toutes les dispositions pertinentes de la directive 2006/42/EC.</p> <p>Utilisation des normes harmonisées, comme indiqué dans l'Article 7(2):</p> <p style="text-align: center;">EN ISO 4254-1:2013 EN ISO 4254-7:2009</p> <p>Lieu et date de la déclaration : [5]</p> <p>Identité et signature de la personne ayant reçu le pouvoir de rédiger cette déclaration : [6]</p> <p>Nom et adresse de la personne autorisée à constituer le dossier technique :</p> <p>Benedikt von Riedesel Directeur général, MacDon Europe GmbH Hagenauer Straße 59 65203 Wiesbaden (Allemagne) bvonriedesel@macdon.com</p>	
<p>[4] As Per Shipping Document</p> <p>[5] January 17, 2018</p> <p>[6] _____ Christoph Martens Product Integrity</p>	<p>Wir, [1]</p> <p>Erklären hiermit, dass das Produkt:</p> <p>Maschinentyp: [2]</p> <p>Name & Modell: [3]</p> <p>Seriennummer (n): [4]</p> <p>alle relevanten Vorschriften der Richtlinie 2006/42/EG erfüllt.</p> <p>Harmonisierte Standards wurden, wie in folgenden Artikeln angegeben, verwendet 7(2):</p> <p style="text-align: center;">EN ISO 4254-1:2013 EN ISO 4254-7:2009</p> <p>Ort und Datum der Erklärung: [5]</p> <p>Name und Unterschrift der Person, die dazu befugt ist, die Erklärung auszustellen: [6]</p> <p>Name und Anschrift der Person, die dazu berechtigt ist, die technischen Unterlagen zu erstellen:</p> <p>Benedikt von Riedesel General Manager, MacDon Europe GmbH Hagenauer Straße 59 65203 Wiesbaden bvonriedesel@macdon.com</p>	<p>Nosotros [1]</p> <p>declaramos que el producto:</p> <p>Tipo de máquina: [2]</p> <p>Nombre y modelo: [3]</p> <p>Números de serie: [4]</p> <p>cumple con todas las disposiciones pertinentes de la directriz 2006/42/EC.</p> <p>Se utilizaron normas armonizadas, según lo dispuesto en el artículo 7(2):</p> <p style="text-align: center;">EN ISO 4254-1:2013 EN ISO 4254-7:2009</p> <p>Lugar y fecha de la declaración: [5]</p> <p>Identidad y firma de la persona facultada para draw redactar la declaración: [6]</p> <p>Nombre y dirección de la persona autorizada para elaborar el expediente técnico:</p> <p>Benedikt von Riedesel Gerente general - MacDon Europe GmbH Hagenauer Straße 59 65203 Wiesbaden (Alemania) bvonriedesel@macdon.com</p>	<p>DE</p> <p>ES</p> <p>ET</p> <p>FR</p>	

Figure 2. EC Declaration of Conformity

EC Declaration of Conformity			
<p>IT</p> <p>Noi, [1] Dichiariamo che il prodotto: Tipo di macchina: [2] Nome e modello: [3] Numero(i) di serie: [4] soddisfa tutte le disposizioni rilevanti della direttiva 2006/42/CE.</p> <p>Utilizzo degli standard armonizzati, come indicato nell'Articolo 7(2):</p> <p>EN ISO 4254-1:2013 EN ISO 4254-7:2009</p> <p>Luogo e data della dichiarazione: [5] Nome e firma della persona autorizzata a redigere la dichiarazione: [6] Nome e persona autorizzata a compilare il file tecnico: Benedikt von Riedesel General Manager, MacDon Europe GmbH Hagenauer Straße 59 65203 Wiesbaden (Germania) bvonriedesel@macdon.com</p>	<p>HU</p> <p>Mi, [1] Ezennel kijelentjük, hogy a következő termék: Gép típusa: [2] Név és modell: [3] Szériaszám(ok): [4] teljesíti a következő irányelv összes vonatkozó előírásait: 2006/42/EK.</p> <p>Az alábbi harmonizált szabványok kerültek alkalmazásra a 7(2) cikkely szerint:</p> <p>EN ISO 4254-1:2013 EN ISO 4254-7:2009</p> <p>A nyilatkozattétel ideje és helye: [5] Azon személy kiléte és aláírása, aki jogosult a nyilatkozat elkészítésére: [6] Azon személy neve és aláírása, aki felhatalmazott a műszaki dokumentáció összeállítására: Benedikt von Riedesel Vezetőigazgató, MacDon Europe GmbH Hagenauer Straße 59 65203 Wiesbaden (Németország) bvonriedesel@macdon.com</p>	<p>LT</p> <p>Mes, [1] Pareiškiame, kad šis produktas: Mašinos tipas: [2] Pavadinimas ir modelis: [3] Serijos numeris (-iai): [4] atitinka taikomus reikalavimus pagal Direktyvą 2006/42/EB.</p> <p>Naudojami harmonizuoti standartai, kai nurodoma straipsnyje 7(2):</p> <p>EN ISO 4254-1:2013 EN ISO 4254-7:2009</p> <p>Deklaracijos vieta ir data: [5] Asmens tapatybės duomenys ir parašas asmens, įgaliotas sudaryti šią deklaraciją: [6] Vardas ir pavardė asmens, kuris įgaliotas sudaryti šį techninį failą: Benedikt von Riedesel Generalinis direktorius, MacDon Europe GmbH Hagenauer Straße 59 65203 Wiesbaden (Vokietija) bvonriedesel@macdon.com</p>	<p>LV</p> <p>Mēs, [1] Deklarējam, ka produkts: Mašīnas tips: [2] Nosaukums un modelis: [3] Sērijas numurs(-i): [4] Atbilst visām būtiskajām Direktīvas 2006/42/EK prasībām.</p> <p>Piemēroti šādi saskaņotie standarti, kā minēts 7. panta 2. punktā:</p> <p>EN ISO 4254-1:2013 EN ISO 4254-7:2009</p> <p>Deklarācijas parakstīšanas vieta un datums: [5] Tās personas vārds, uzvārds un paraksts, kas ir pilnvarota sagatavot šo deklarāciju: [6] Tās personas vārds, uzvārds un adrese, kas ir pilnvarota sastādīt tehnisko dokumentāciju: Benedikts fon Rīdzelis Ģenerāldirektors, MacDon Europe GmbH Hagenauer Straße 59 65203 Wiesbaden (Vācija) bvonriedesel@macdon.com</p>
<p>NL</p> <p>Wij, [1] Verklaren dat het product: Machinetype: [2] Naam en model: [3] Serienummer(s): [4] voldoet aan alle relevante bepalingen van de Richtlijn 2006/42/EC.</p> <p>Geharmoniseerde normen toegepast, zoals vermeld in Artikel 7(2):</p> <p>EN ISO 4254-1:2013 EN ISO 4254-7:2009</p> <p>Plaats en datum van verklaring: [5] Naam en handtekening van de bevoegde persoon om de verklaring op te stellen: [6] Naam en adres van de geautoriseerde persoon om het technisch dossier samen te stellen: Benedikt von Riedesel Algemeen directeur, MacDon Europe GmbH Hagenauer Straße 59 65203 Wiesbaden (Duitsland) bvonriedesel@macdon.com</p>	<p>PO</p> <p>My niżej podpisani, [1] Oświadczamy, że produkt: Typ urządzenia: [2] Nazwa i model: [3] Numer seryjny/numery seryjne: [4] spełnia wszystkie odpowiednie przepisy dyrektywy 2006/42/WE.</p> <p>Zastosowaliśmy następujące (zharmonizowane) normy zgodnie z artykułem 7(2):</p> <p>EN ISO 4254-1:2013 EN ISO 4254-7:2009</p> <p>Data i miejsce oświadczenia: [5] Imię i nazwisko oraz podpis osoby upoważnionej do przygotowania deklaracji: [6] Imię i nazwisko oraz adres osoby upoważnionej do przygotowania dokumentacji technicznej: Benedikt von Riedesel Dyrektor generalny, MacDon Europe GmbH Hagenauer Straße 59 65203 Wiesbaden (Niemcy) bvonriedesel@macdon.com</p>	<p>PT</p> <p>Nós, [1] Declaramos, que o produto: Tipo de máquina: [2] Nome e Modelo: [3] Número(s) de Série: [4] cumpre todas as disposições relevantes da Directiva 2006/42/CE.</p> <p>Normas harmonizadas aplicadas, conforme referido no Artigo 7(2):</p> <p>EN ISO 4254-1:2013 EN ISO 4254-7:2009</p> <p>Local e data da declaração: [5] Identidade e assinatura da pessoa autorizada a elaborar a declaração: [6] Nome e endereço da pessoa autorizada a compilar o ficheiro técnico: Benedikt von Riedesel Gerente Geral, MacDon Europa Ltda. Hagenauer Straße 59 65203 Wiesbaden (Alemanha) bvonriedesel@macdon.com</p>	<p>RO</p> <p>Noi, [1] Declarăm, că următorul produs: Tipul mașinii: [2] Denumirea și modelul: [3] Număr (numere) serie: [4] corespunde tuturor dispozițiilor esențiale ale directivei 2006/42/EC.</p> <p>Au fost aplicate următoarele standarde armonizate conform articolului 7(2):</p> <p>EN ISO 4254-1:2013 EN ISO 4254-7:2009</p> <p>Data și locul declarației: [5] Identitatea și semnătura persoanei împuternicite pentru întocmirea declarației: [6] Numele și semnătura persoanei autorizate pentru întocmirea cărții tehnice: Benedikt von Riedesel Manager General, MacDon Europe GmbH Hagenauer Straße 59 65203 Wiesbaden (Germania) bvonriedesel@macdon.com</p>
<p>SR</p> <p>Mi, [1] Izjavljujemo da proizvod Tip mašine: [2] Naziv i model: [3] Serijski broj(evi): [4] Ispunjava sve relevantne odredbe direktive 2006/42/EC.</p> <p>Korišćeni su usklađeni standardi kao što je navedeno u članu 7(2):</p> <p>EN ISO 4254-1:2013 EN ISO 4254-7:2009</p> <p>Datum i mesto izdavanja deklaracije: [5] Identitet i potpis lica ovlašćenog za sastavljanje deklaracije: [6] Ime i adresa osobe ovlašćene za sastavljanje tehničke datoteke: Benedikt von Riedesel Generalni direktor, MacDon Europe GmbH Hagenauer Straße 59 65203 Wiesbaden (Nemačka) bvonriedesel@macdon.com</p>	<p>SV</p> <p>Vi, [1] Intygat att produkten: Maskintyp: [2] Namn och modell: [3] Serienummer: [4] uppfyller alla relevanta villkor i direktivet 2006/42/EG.</p> <p>Harmonierade standarder används, såsom anges i artikel 7(2):</p> <p>EN ISO 4254-1:2013 EN ISO 4254-7:2009</p> <p>Plats och datum för intyget: [5] Identitet och signatur för person med befogenhet att upprätta intyget: [6] Namn och adress för person behörig att upprätta den tekniska dokumentationen: Benedikt von Riedesel Administrativ chef, MacDon Europe GmbH Hagenauer Straße 59 65203 Wiesbaden (Tyskland) bvonriedesel@macdon.com</p>	<p>SL</p> <p>Mi, [1] izjavljamo, da izdelek: Vrsta stroja: [2] Ime in model: [3] Serijska/-e številka/-e: [4] ustreza vsem zadevnim določbam Direktive 2006/42/ES.</p> <p>Uporabljeni usklajeni standardi, kot je navedeno v členu 7(2):</p> <p>EN ISO 4254-1:2013 EN ISO 4254-7:2009</p> <p>Kraj in datum izjave: [5] Istovetnost in podpis osebe, opolnomočene za pripravo izjave: [6] Ime in naslov osebe, pooblaščenega za pripravo tehnične datoteke: Benedikt von Riedesel Generalni direktor, MacDon Europe GmbH Hagenauer Straße 59 65203 Wiesbaden (Nemčija) bvonriedesel@macdon.com</p>	<p>SK</p> <p>My, [1] týmto prehlasujeme, že tento výrobok: Typ zariadenia: [2] Názov a model: [3] Výrobné číslo: [4] spĺňa príslušné ustanovenia a základné požiadavky smernice č. 2006/42/ES.</p> <p>Použitie harmonizovaných noriem, ktoré sa uvádzajú v článku č. 7(2):</p> <p>EN ISO 4254-1:2013 EN ISO 4254-7:2009</p> <p>Miesto a dátum prehlásenia: [5] Meno a podpis osoby oprávnenej vypracovať toto prehlásenie: [6] Meno a adresa osoby oprávnenej zostaviť technický súbor: Benedikt von Riedesel Generálny riaditeľ MacDon Europe GmbH Hagenauer Straße 59 65203 Wiesbaden (Nemecko) bvonriedesel@macdon.com</p>

1024654

Introduction

This instructional manual contains safety, operating and maintenance procedures for the MacDon R113 self-propelled windrower header. The disc header when attached to a MacDon M155, M155E4, or M1170 windrower, is designed to cut, condition, and lay a wide variety of grasses and hay crops in windrows.

Carefully read all the material provided before attempting to unload, assemble, or use the machine.

Use this manual as your first source of information about the machine. If you follow the instructions provided in this manual, and use MacDon parts, the rotary disc header will work well for many years. If you require more detailed service information, contact your Dealer.

Use the Table of Contents and the Index to guide you to specific topics. Study the Table of Contents to familiarize yourself with how the material is organized. Keep this manual handy for frequent reference and to pass on to new Operators or Owners. Call your Dealer if you need assistance, information, or additional copies of this manual.

When setting up the machine or making adjustments, review and follow the recommended machine settings in all relevant MacDon publications. Failure to do so may compromise machine function and machine life and may result in a hazardous situation.

MacDon provides warranty for Customers who operate and maintain their equipment as described in this manual. A copy of the MacDon Industries Limited Warranty Policy, which explains this warranty, should have been provided to you by your Dealer. Damage resulting from any of the following conditions will void the warranty:

- Accident
- Misuse
- Abuse
- Improper maintenance or neglect
- Abnormal or extraordinary use of the machine
- Failure to use the machine, equipment, component, or part in accordance with the manufacturer's instructions

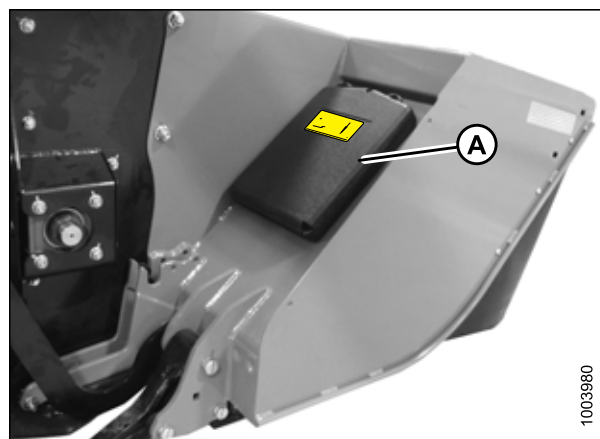
Conventions

The following conventions are used in this document:

- Right and left are determined from the operator's position. The front of the rotary disc header faces the crop.
- Unless otherwise noted, use the standard torque values provided in this manual.

Store the operator's manual and the parts catalog in the plastic manual case (A) at the right side of the rotary disc header.

NOTE: Keep your MacDon publications up-to-date. The most current version can be downloaded from our website www.macdon.com or from our Dealer-only site (<https://portal.macdon.com>) (login required).



Manual Storage Case

List of Revisions

The following list provides an account of major changes from the previous version of this document.

Summary of Change	Location
Declaration of Conformity updated.	<i>Declaration of Conformity, page i</i>
Introduction revised.	<i>Introduction, page iii</i>
18 deg bevel down was 11 deg bevel down.	<i>2.1 Product Specifications, page 15</i>
<ul style="list-style-type: none"> Header Float Linkage illustrations revised. Note for removing exhaust stack cover deleted. “Disengage safety prop by turning lever (A) downwards until lever locks into vertical position.” was “Disengage safety prop by turning lever (A) downwards to release and lower stop until lever locks into vertical position.” 	<ul style="list-style-type: none"> <i>3.4.2 Attaching R1 Series Disc Header to M155 or M155E4 Windrowers with Hydraulic Center-Link and Optional Self-Alignment, page 32</i> <i>3.4.3 Attaching an R1 Series Disc Header to an M155 or M155E4 Windrower: Hydraulic Center-Link without Optional Self-Alignment, page 37</i> <i>3.5.2 Detaching R1 Series Header: M155 and M155E4 Windrowers, page 58</i>
Windrower illustration deleted.	<i>Connecting R1 Series Hydraulics and Electrical: M1170 Windrowers, page 42</i>
Illustration added and text revised.	<i>3.8.2 Header Angle, page 70</i>
Cutterbar Crop Stream Configuration moved to Operation chapter.	<i>3.9 Reconfiguring Cutterbar Crop Stream, page 73</i>
Header Settings revised.	<i>3.8 Header Settings, page 69</i>
Header Float topic relocated.	<i>3.8.3 Header Float, page 71</i>
Conditioner topic created with existing subtopics.	<i>3.10 Conditioner, page 75</i>
Cutterbar Deflector procedure revised.	<i>3.11 Cutterbar Deflectors, page 85</i>
<ul style="list-style-type: none"> Reference for header drive gearbox lubricant change at 50 and 150 hours revised. Layout of Maintenance Schedule/Record chart revised. First 25 hours, First 50 hours, First 150 hours removed from chart. Changing cutterbar lubricant interval changed to 500 hours from 250 hours. 	<i>4.3.1 Maintenance Schedule/Record, page 96</i>
Changing cutterbar lubricant removed from Break-In Inspection.	<i>4.3.2 Break-In Inspections, page 98</i>
Service Intervals illustrations deleted.	<i>4.4 Lubrication, page 100</i>
Every 25 Hours illustration revised.	<i>Every 25 Hours, page 101</i>

Summary of Change	Location
Servicing Cutterbar headings revised.	<i>4.5 Servicing Cutterbar, page 102</i>
Cutterbar Lubrication moved to Maintenance and Servicing and heading changed to Lubricating Cutterbar.	<i>4.5.1 Lubricating Cutterbar, page 102</i>
Driven Drum illustrations revised.	<ul style="list-style-type: none"> • <i>Removing Driven Drums and Driveline, page 132</i> • <i>Installing Driven Drums and Driveline, page 135</i>
Checking and Changing Header Drive Gearbox Oil added.	<i>4.7.1 Checking and Changing Header Drive Gearbox Oil, page 151</i>
Curtains moved to Maintenance and Servicing and heading changed to Replacing Curtains.	<i>4.9 Replacing Curtains, page 155</i>
Note about speed sensor manual adjustment removed.	<ul style="list-style-type: none"> • <i>Removing Conditioner Drive Belt, page 165</i> • <i>Installing Conditioner Drive Belt, page 165</i>
Changing Conditioner procedure revised.	<i>4.10.3 Changing the Conditioner, page 167</i>
Replacing Driveshields topic added.	<i>4.10.5 Replacing Driveshields, page 178</i>
Replacing Header RPM Sensor topic added.	<i>4.11.4 Replacing Header RPM Sensor, page 183</i>
Hydraulics and Electrical separated from Conditioner topic.	<ul style="list-style-type: none"> • <i>4.11 Servicing Electrical System, page 182</i> • <i>4.12 Hydraulics, page 184</i>
Several illustration captions revised.	Various.
Roll Timing Gearbox oil spec. revised.	<i>Inside Back Cover</i>

Model and Serial Number

Record the model number, serial number, and model year of the header on the lines below.

R113 SP Disc Header

Header Model: _____

Serial Number: _____

Year: _____

The serial number plate (A) is located near the base of the right side hazard/signal light on the right edge of the header.

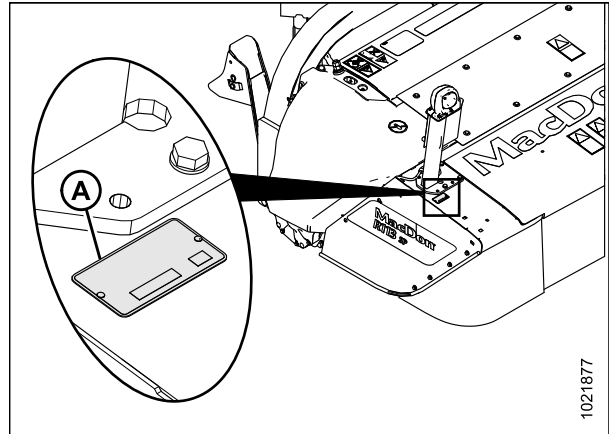


Figure 3. Header, Right Side

TABLE OF CONTENTS

Declaration of Conformity	i
Introduction	iii
List of Revisions	iv
Model and Serial Number	vi
Chapter 1: Safety	1
1.1 Safety Alert Symbols	1
1.2 Signal Words	2
1.3 General Safety	3
1.4 Maintenance Safety	5
1.5 Hydraulic Safety	6
1.6 Welding Precaution	7
1.7 Safety Signs	8
1.7.1 Installing Safety Decals	8
1.8 Locating Safety Decals	9
1.9 Understanding Safety Signs	11
Chapter 2: Product Overview	15
2.1 Product Specifications	15
2.2 Component Identification	17
2.3 Definitions	19
Chapter 3: Operation	21
3.1 Break-In Period	21
3.2 Daily Start-Up Check	22
3.3 Engaging and Disengaging Header Safety Props	24
3.3.1 Engaging and Disengaging Header Safety Props: M1 Series Windrower	24
3.3.2 Engaging and Disengaging Header Safety Props: M Series Self-Propelled Windrower	25
3.4 Attaching Header to Windrower	27
3.4.1 Attaching R1 Series Disc Header to M1170 Windrower	27
3.4.2 Attaching R1 Series Disc Header to M155 or M155E4 Windrowers with Hydraulic Center-Link and Optional Self-Alignment	32
3.4.3 Attaching an R1 Series Disc Header to an M155 or M155E4 Windrower: Hydraulic Center-Link without Optional Self-Alignment	37
3.4.4 Attaching Hydraulics and Electrical Connections	42
Connecting R1 Series Hydraulics and Electrical: M1170 Windrowers	42
Connecting R1 Series Hydraulics and Electrical: M155 and M155E4 Windrowers	44
3.5 Detaching Header from Windrower	53
3.5.1 Detaching R1 Series Header: M1170 Windrower	53
3.5.2 Detaching R1 Series Header: M155 and M155E4 Windrowers	58
3.6 Opening/Closing Driveshields	62
3.6.1 Opening Driveshields	62

TABLE OF CONTENTS

3.6.2 Closing Driveshields	64
3.7 Cutterbar Doors	65
3.7.1 Opening Cutterbar Doors	65
3.7.2 Opening Cutterbar Doors: Export Latches	66
3.7.3 Closing Cutterbar Doors	68
3.8 Header Settings	69
3.8.1 Cutting Height	69
Adjusting Cutting Height	69
3.8.2 Header Angle	70
3.8.3 Header Float	71
3.8.4 Ground Speed	71
3.9 Reconfiguring Cutterbar Crop Stream	73
3.9.1 Changing R113 Cutterbar Crop Stream Configuration	74
3.10 Conditioner	75
3.10.1 Roll Gap	75
Checking Roll Gap	75
Adjusting Roll Gap: Polyurethane Rolls	76
Adjusting Roll Gap: Steel Rolls	77
3.10.2 Roll Tension	78
Adjusting Roll Tension	78
3.10.3 Roll Timing	79
Checking Roll Timing	79
Adjusting Roll Timing	79
3.10.4 Adjusting Forming Shields: Roll Conditioner	82
Positioning Forming Shield Side Deflectors: Roll Conditioner	82
Positioning Forming Shield Rear Baffle: Roll Conditioner	83
3.11 Cutterbar Deflectors	85
3.11.1 Removing Cutterbar Deflectors	85
3.11.2 Installing Cutterbar Deflectors	86
3.12 Haying Tips	87
3.12.1 Curing	87
3.12.2 Topsoil Moisture	87
3.12.3 Weather and Topography	87
3.12.4 Windrow Characteristics	88
3.12.5 Driving on Windrow	88
3.12.6 Using Chemical Drying Agents	88
3.13 Transporting the Header	89
Chapter 4: Maintenance and Servicing	91
4.1 Preparing Machine for Servicing	91
4.2 Recommended Safety Procedures	92
4.3 Maintenance Requirements	94
4.3.1 Maintenance Schedule/Record	96
4.3.2 Break-In Inspections	98

TABLE OF CONTENTS

4.3.3 Preseason Servicing	98
4.3.4 End-of-Season Servicing	98
4.4 Lubrication	100
4.4.1 Greasing Procedure	100
Every 25 Hours	101
4.5 Servicing Cutterbar	102
4.5.1 Lubricating Cutterbar	102
Checking and Adding Cutterbar Lubricant	102
Draining Cutterbar	104
Filling Cutterbar	105
4.5.2 Replacing Cutterbar Discs	106
Inspecting Cutterbar Discs	106
Removing Cutterbar Discs	107
Installing Cutterbar Discs	108
4.5.3 Replacing Cutterbar Spindles	110
Removing Cutterbar Spindles	110
Installing Cutterbar Spindles	114
4.5.4 Replacing Discblades	118
Inspecting Discblades	118
Inspecting Discblade Hardware	120
Removing Discblades	122
Installing Discblades	123
4.5.5 Replacing Accelerators	124
Inspecting Accelerators	125
Removing Accelerators	126
Installing Accelerators	127
4.5.6 Replacing Rock Guards	128
Inspecting Rock Guards	128
Removing Rock Guards	129
Installing Rock Guards	129
4.5.7 Replacing Large Drums	130
Inspecting Drums	130
Removing Driven Drums and Driveline	132
Installing Driven Drums and Driveline	135
Removing Non-Driven Drums	139
Installing Non-Driven Drums	140
4.5.8 Replacing Cutterbar Spindle Shear Pin	142
Removing Cutterbar Spindle Shear Pin	142
Installing Cutterbar Spindle Shear Pin	145
4.6 Servicing Conditioner Roll Timing Gearbox	149
4.6.1 Checking and Changing Conditioner Roll Timing Gearbox Oil	149
4.7 Servicing Header Drive Gearbox	151
4.7.1 Checking and Changing Header Drive Gearbox Oil	151
4.8 Inspecting Cutterbar Doors	154
4.9 Replacing Curtains	155
4.9.1 Inspecting Curtains	155
4.9.2 Removing Cutterbar Door Curtains	156

TABLE OF CONTENTS

4.9.3 Installing Cutterbar Door Curtains.....	157
4.9.4 Removing Cutterbar Inboard Curtain	157
4.9.5 Installing Cutterbar Inboard Curtain	158
4.9.6 Removing Outboard Curtains.....	159
4.9.7 Installing Outboard Curtains.....	160
4.10 Servicing Conditioner	162
4.10.1 Inspecting Conditioner	162
4.10.2 Replacing Conditioner Drive Belt	163
Inspecting Conditioner Drive Belt	163
Removing Conditioner Drive Belt	165
Installing Conditioner Drive Belt	165
4.10.3 Changing the Conditioner	167
Removing the Conditioner.....	167
Installing the Conditioner.....	171
Installing Conditioner Drive.....	175
4.10.4 Replacing Shield (No Conditioner).....	176
Removing Discharge Shield (No Conditioner).....	176
Installing Discharge Shield (No Conditioner).....	177
4.10.5 Replacing Driveshields	178
Removing Driveshields	178
Installing Driveshields	179
Replacing Driveshield Latch	180
4.11 Servicing Electrical System	182
4.11.1 Maintaining Electrical System	182
4.11.2 Replacing Amber Hazard/Signal Light Fixture.....	182
4.11.3 Replacing Amber Hazard/Signal Bulb.....	182
4.11.4 Replacing Header RPM Sensor	183
4.12 Hydraulics	184
4.12.1 Checking Hydraulic Hoses and Lines	184
Chapter 5: Optional Kits.....	185
5.1 Kit Descriptions.....	185
5.1.1 Tall Crop Divider Kit.....	185
5.1.2 No Conditioner Kit	185
5.1.3 Polyurethane Roll Conditioner Kit	185
5.1.4 Steel Roll Conditioner Kit	185
Chapter 6: Troubleshooting	187
6.1 Performance Problems.....	187
6.2 Mechanical Problems	192
Chapter 7: Reference	195
7.1 Torque Specifications	195
7.1.1 Metric Bolt Specifications	195
7.1.2 Metric Bolt Specifications Bolting into Cast Aluminum	197

TABLE OF CONTENTS

7.1.3 O-Ring Boss (ORB) Hydraulic Fittings (Adjustable).....	198
7.1.4 O-Ring Boss (ORB) Hydraulic Fittings (Non-Adjustable).....	200
7.1.5 O-Ring Face Seal (ORFS) Hydraulic Fittings	201
7.1.6 Tapered Pipe Thread Fittings	202
7.2 Conversion Chart.....	203
Index.....	205
Recommended Lubricants	Inside Back Cover

1 Safety

1.1 Safety Alert Symbols

This safety alert symbol indicates important safety messages in this manual and on safety signs on the machine.

This symbol means:

- **ATTENTION!**
- **BECOME ALERT!**
- **YOUR SAFETY IS INVOLVED!**

Carefully read and follow the safety message accompanying this symbol.

Why is safety important to you?

- Accidents disable and kill
- Accidents cost
- Accidents can be avoided



Figure 1.1: Safety Symbol

1.2 Signal Words

Three signal words, **DANGER**, **WARNING**, and **CAUTION**, are used to alert you to hazardous situations. Signal words are selected using the following guidelines:

DANGER

Indicates an imminently hazardous situation that, if not avoided, will result in death or serious injury.

WARNING

Indicates a potentially hazardous situation that, if not avoided, could result in death or serious injury. It may also be used to alert against unsafe practices.

CAUTION

Indicates a potentially hazardous situation that, if not avoided, may result in minor or moderate injury. It may be used to alert against unsafe practices.

1.3 General Safety

CAUTION

The following are general farm safety precautions that should be part of your operating procedure for all types of machinery.

Protect yourself.

- When assembling, operating, and servicing machinery, wear all protective clothing and personal safety devices that could be necessary for job at hand. Do **NOT** take chances. You may need the following:
 - Hard hat
 - Protective footwear with slip resistant soles
 - Protective glasses or goggles
 - Heavy gloves
 - Wet weather gear
 - Respirator or filter mask
- Be aware that exposure to loud noises can cause hearing impairment or loss. Wear suitable hearing protection devices such as earmuffs or earplugs to help protect against loud noises.



Figure 1.2: Safety Equipment



Figure 1.3: Safety Equipment

- Provide a first aid kit for use in case of emergencies.
- Keep a fire extinguisher on the machine. Be sure fire extinguisher is properly maintained. Be familiar with its proper use.
- Keep young children away from machinery at all times.
- Be aware that accidents often happen when Operator is tired or in a hurry. Take time to consider safest way. Never ignore warning signs of fatigue.

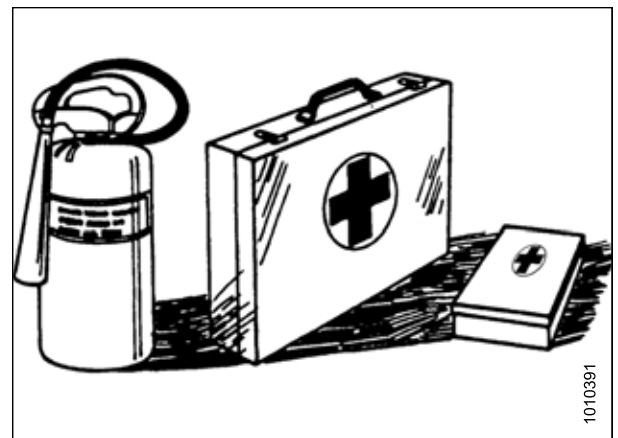


Figure 1.4: Safety Equipment

SAFETY

- Wear close-fitting clothing and cover long hair. Never wear dangling items such as scarves or bracelets.
- Keep all shields in place. **NEVER** alter or remove safety equipment. Make sure driveline guards can rotate independently of shaft and can telescope freely.
- Use only service and repair parts made or approved by equipment manufacturer. Substituted parts may not meet strength, design, or safety requirements.



Figure 1.5: Safety around Equipment

- Keep hands, feet, clothing, and hair away from moving parts. **NEVER** attempt to clear obstructions or objects from a machine while engine is running.
- Do **NOT** modify machine. Unauthorized modifications may impair machine function and/or safety. It may also shorten machine's life.
- To avoid bodily injury or death from unexpected startup of machine, **ALWAYS** stop the engine and remove the key from the ignition before leaving the operator's seat for any reason.

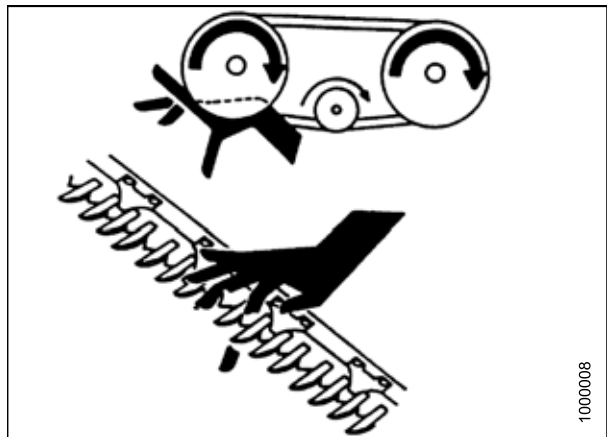


Figure 1.6: Safety around Equipment

- Keep service area clean and dry. Wet or oily floors are slippery. Wet spots can be dangerous when working with electrical equipment. Be sure all electrical outlets and tools are properly grounded.
- Keep work area well lit.
- Keep machinery clean. Straw and chaff on a hot engine is a fire hazard. Do **NOT** allow oil or grease to accumulate on service platforms, ladders, or controls. Clean machines before storage.
- **NEVER** use gasoline, naphtha, or any volatile material for cleaning purposes. These materials may be toxic and/or flammable.
- When storing machinery, cover sharp or extending components to prevent injury from accidental contact.



Figure 1.7: Safety around Equipment

1.4 Maintenance Safety

To ensure your safety while maintaining machine:

- Review operator’s manual and all safety items before operation and/or maintenance of machine.
- Place all controls in Neutral, stop the engine, set the park brake, remove the ignition key, and wait for all moving parts to stop before servicing, adjusting, and/or repairing.
- Follow good shop practices:
 - Keep service areas clean and dry
 - Be sure electrical outlets and tools are properly grounded
 - Keep work area well lit
- Relieve pressure from hydraulic circuits before servicing and/or disconnecting machine.
- Make sure all components are tight and that steel lines, hoses, and couplings are in good condition before applying pressure to hydraulic systems.
- Keep hands, feet, clothing, and hair away from all moving and/or rotating parts.
- Clear area of bystanders, especially children, when carrying out any maintenance, repairs, or adjustments.
- Install transport lock or place safety stands under frame before working under machine.
- If more than one person is servicing machine at same time, be aware that rotating a driveline or other mechanically-driven component by hand (for example, accessing a lube fitting) will cause drive components in other areas (belts, pulleys, and knives) to move. Stay clear of driven components at all times.
- Wear protective gear when working on machine.
- Wear heavy gloves when working on knife components.



Figure 1.8: Safety around Equipment

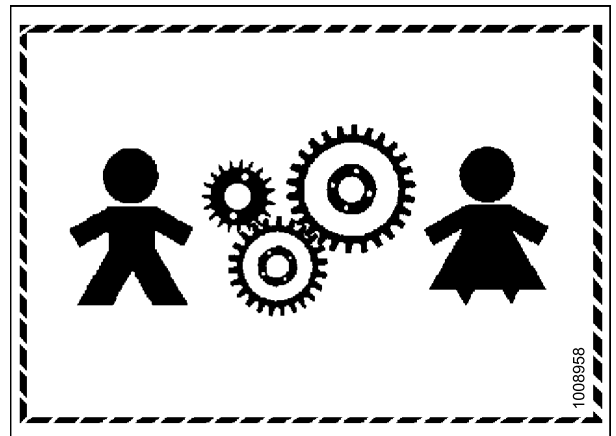


Figure 1.9: Equipment NOT Safe for Children



Figure 1.10: Safety Equipment

1.5 Hydraulic Safety

- Always place all hydraulic controls in Neutral before dismounting.
- Make sure that all components in hydraulic system are kept clean and in good condition.
- Replace any worn, cut, abraded, flattened, or crimped hoses and steel lines.
- Do **NOT** attempt any makeshift repairs to hydraulic lines, fittings, or hoses by using tapes, clamps, cements, or welding. The hydraulic system operates under extremely high pressure. Makeshift repairs will fail suddenly and create hazardous and unsafe conditions.

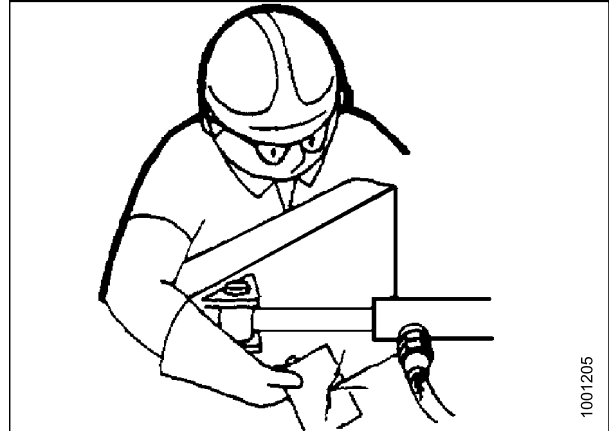


Figure 1.11: Testing for Hydraulic Leaks

- Wear proper hand and eye protection when searching for high-pressure hydraulic leaks. Use a piece of cardboard as a backstop instead of hands to isolate and identify a leak.
- If injured by a concentrated high-pressure stream of hydraulic fluid, seek medical attention immediately. Serious infection or toxic reaction can develop from hydraulic fluid piercing the skin.



Figure 1.12: Hydraulic Pressure Hazard

- Make sure all components are tight and steel lines, hoses, and couplings are in good condition before applying pressure to a hydraulic system.

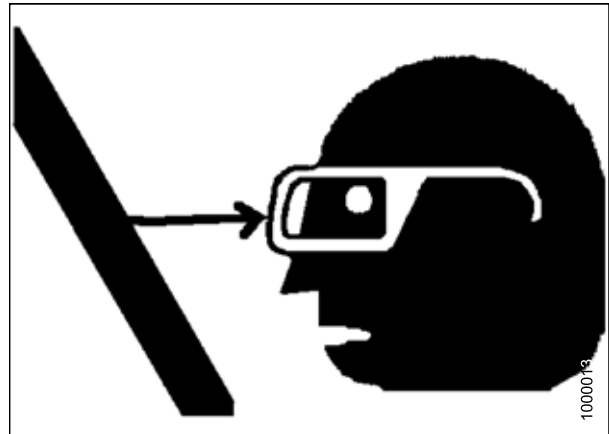


Figure 1.13: Safety around Equipment

1.6 Welding Precaution

Welding should never be attempted on the disc header while it is connected to a windrower.

WARNING

Severe damage to sensitive, expensive electronics can result from welding on the header while it is connected to the windrower. It can be impossible to know what effect high current could have with regard to future malfunctions or shorter lifespan. It is very important that welding on the header is not attempted while the header is connected to the windrower.

If an Operator needs to do any welding on the disc header, it should first be disconnected and removed from the windrower.

If it is unfeasible to disconnect the header from the windrower before attempting welding, refer to the windrower's technical manual (available from your MacDon Dealer) for welding precautions detailing all electrical components that must be disconnected first for safe welding.

SAFETY

1.7 Safety Signs

- Keep safety signs clean and legible at all times.
- Replace safety signs that are missing or become illegible.
- If original part on which a safety sign was installed is replaced, be sure repair part also bears current safety sign.
- Replacement safety signs are available from your MacDon Dealer Parts Department.

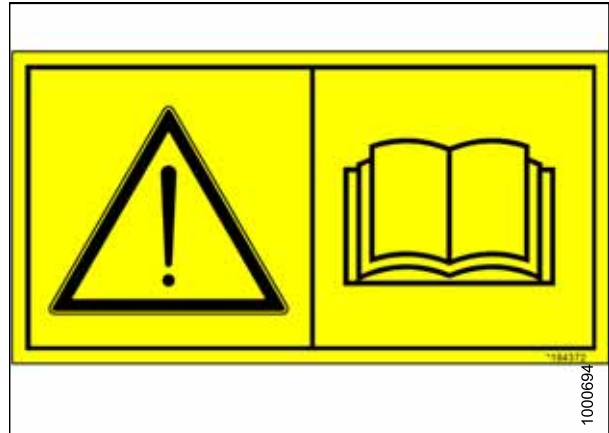


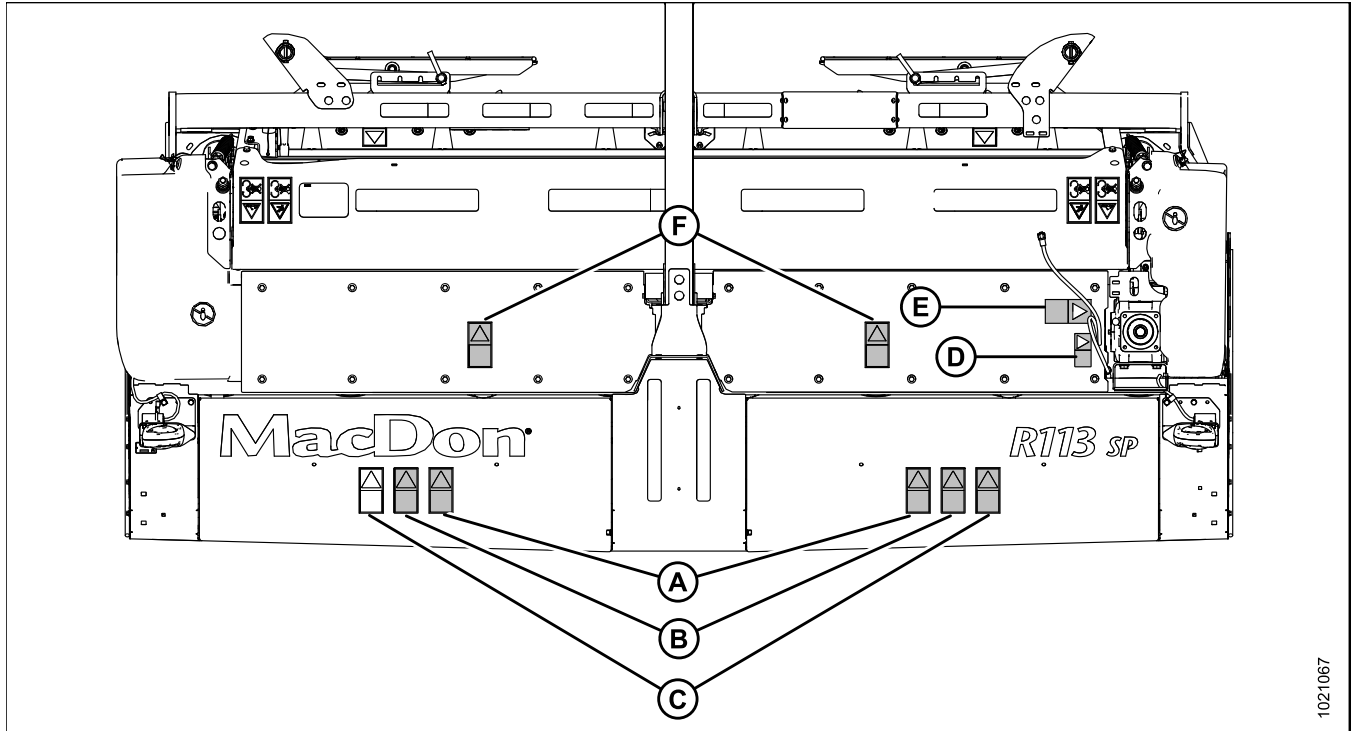
Figure 1.14: Operator's Manual Decal

1.7.1 Installing Safety Decals

1. Clean and dry installation area.
2. Decide on exact location before you remove decal backing paper.
3. Remove smaller portion of split backing paper.
4. Place decal in position and slowly peel back remaining paper, smoothing decal as it is applied.
5. Prick small air pockets with a pin and smooth out.

1.8 Locating Safety Decals

Figure 1.15: Safety Sign Decal Locations Top View



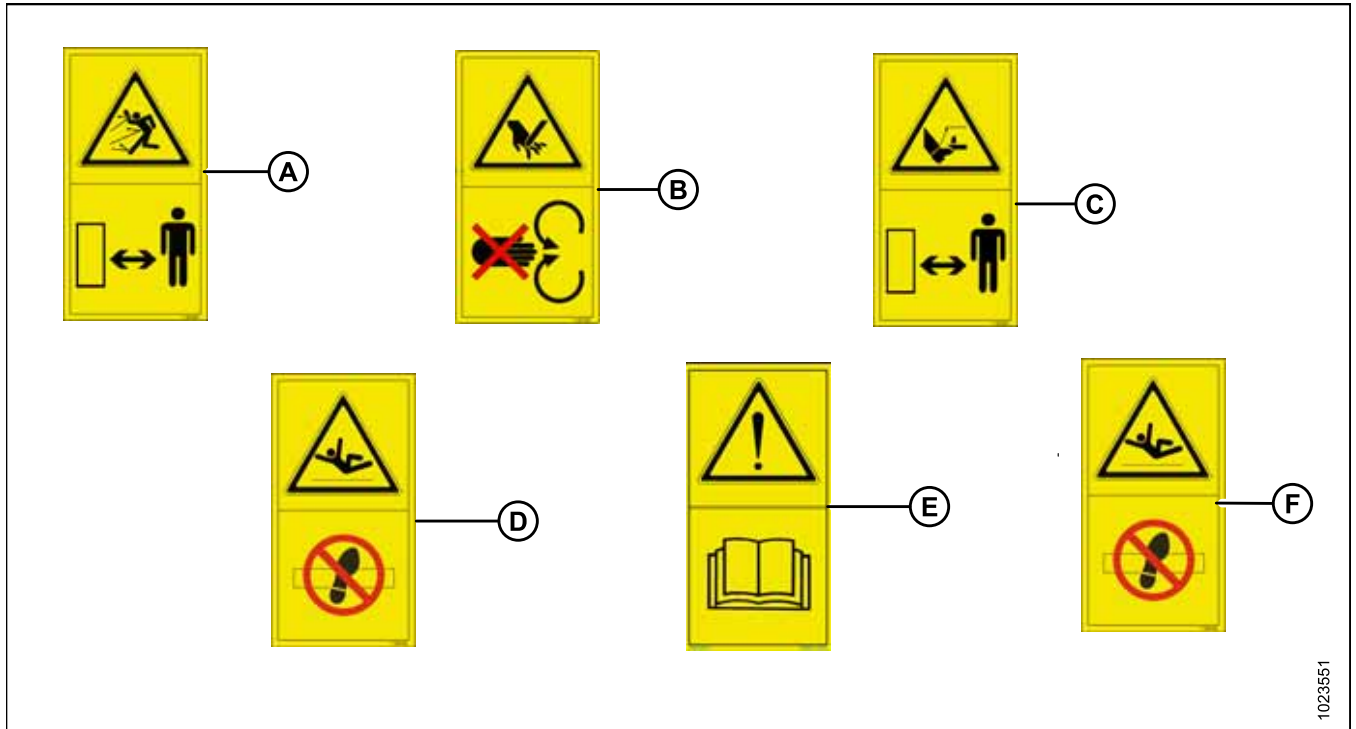
1021067

A - MD #194466
D - MD #166466

B - MD #247167
E - MD #113482

C - MD #194465
F - MD #190546

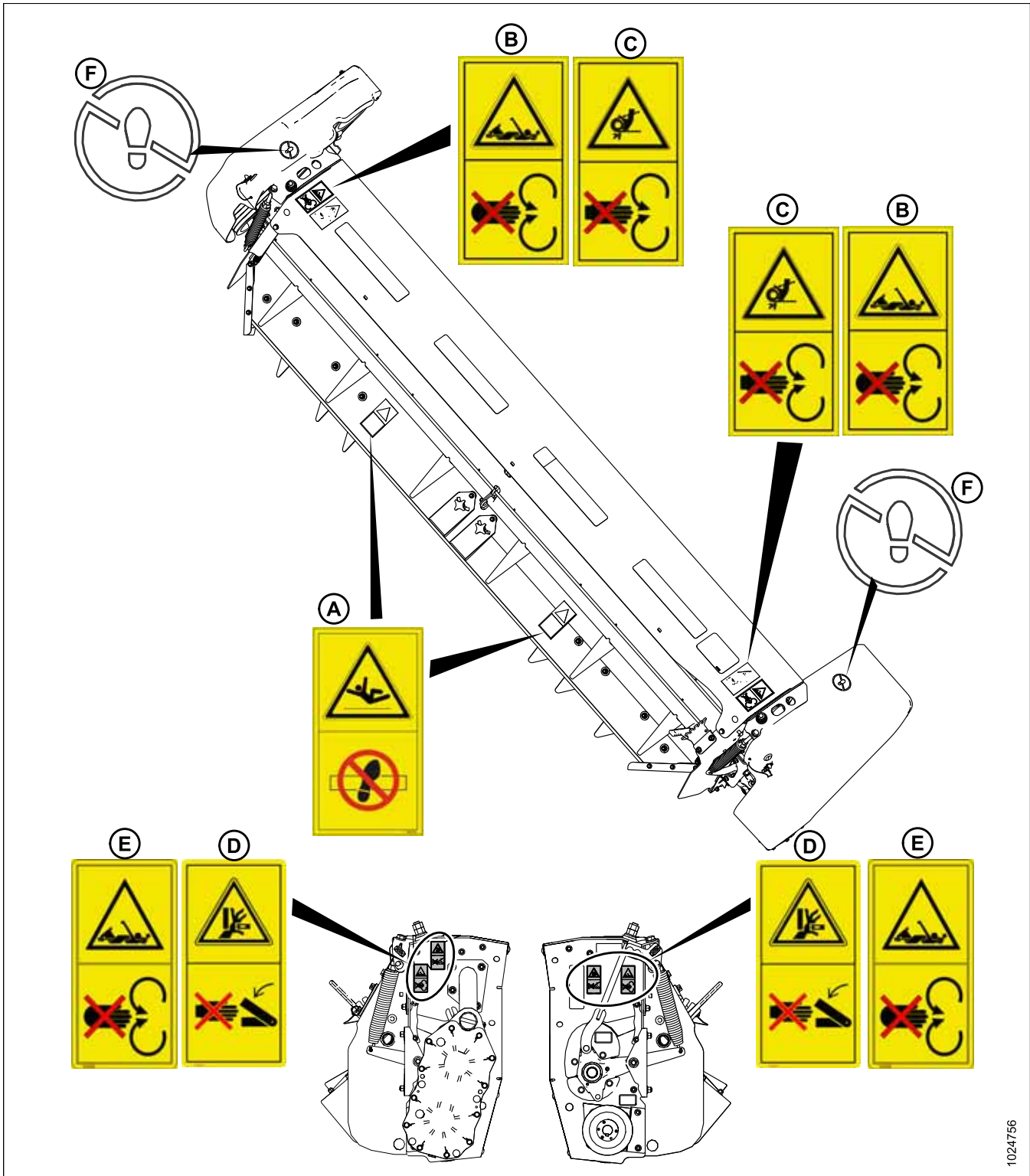
Figure 1.16: Safety Sign Decals



1023551

SAFETY

Figure 1.17: Safety Sign Decal Locations Roll Conditioner



A - MD #190546
D - MD #246959

B - MD #184385
E - MD #246956

C - MD #184371
F - NO STEP Symbol (Imprinted on Shield)

1024756

1.9 Understanding Safety Signs

NOTE:

This is a general list of safety sign definitions and the decals listed may not necessarily be applied to your machine.

MD #113482

General hazard pertaining to machine operation and servicing.

CAUTION

- Read the operator’s manual, and follow all safety instructions. If you do not have a manual, obtain one from your Dealer.
- Do **NOT** allow untrained persons to operate the machine.
- Review safety instructions with all Operators annually.
- Ensure that all safety signs are installed and legible.
- Make certain everyone is clear of machine before starting engine, and during operation.
- Keep riders off the machine.
- Keep all shields in place and stay clear of moving parts.
- Disengage self-propelled disc header drive, put transmission in Neutral, and wait for all movement to stop before leaving operator’s position.
- Shut off engine and remove key from ignition before servicing, adjusting, lubricating, cleaning, or unplugging machine.
- Engage locks to prevent lowering of self-propelled disc header before servicing in the raised position.
- Use slow moving vehicle emblem and flashing warning lights when operating on roadways unless prohibited by law.



Figure 1.18: MD #113482

MD #166466

Hydraulic pressure oil hazard

WARNING

- High pressure oil easily punctures skin causing serious injury, gangrene, or death.
- If injured, seek emergency medical help.
- Do **NOT** use finger or skin to check for leaks.
- Lower load or relieve hydraulic pressure before loosening fittings.



Figure 1.19: MD #166466

SAFETY

MD #184371

Open drive hazard

WARNING

- Guard missing. Do **NOT** operate.
- Keep all shields in place.



Figure 1.20: MD #184371

MD #184385

Entanglement hazard

CAUTION

- To avoid injury from entanglement with rotating auger, stand clear of header while machine is running.



Figure 1.21: MD #184385

MD #190546

Slippery surface

WARNING—DON'T PLACE FOOT

- Do **NOT** use this area as a step or platform.
- Failure to comply could result in serious injury or death.



Figure 1.22: MD #190546

SAFETY

MD #194465

Rotating cutters

WARNING—STAND CLEAR

- Contact with blades or thrown objects can result in serious injury or death.
- Do **NOT** stand on or near machine when in operation.
- Do **NOT** operate with covers or curtains open or removed.
- Shut off tractor and remove key before opening covers.



Figure 1.23: MD #194465

MD #194466

Rotating fingers under hood

WARNING—STAND CLEAR

- Crop materials exiting at high speed.
- Stop machine, look, listen, and wait for all movement to stop before approaching.
- Failure to comply could result in death or serious injury.



Figure 1.24: MD #194466

MD #246956

Keep shields in place

WARNING

- Do **NOT** operate without shields/guards in place.
- Failure to comply will result in death or serious injury.



Figure 1.25: MD #246956

SAFETY

MD #246959

Pinch hazard

WARNING—KEEP AWAY

- Failure to comply could result in death or serious injury.



Figure 1.26: MD #246959

MD #247167

Rotating blades

WARNING

- Disengage power take-off, shut off tractor, and remove key before opening covers.
- Listen and look for evidence of rotation before lifting cover.
- Cutters may continue to rotate after power is shut off due to inertia.



Figure 1.27: MD #247167

2 Product Overview

2.1 Product Specifications

NOTE:

Specifications and design are subject to change without notice or obligation to revise previously sold units.

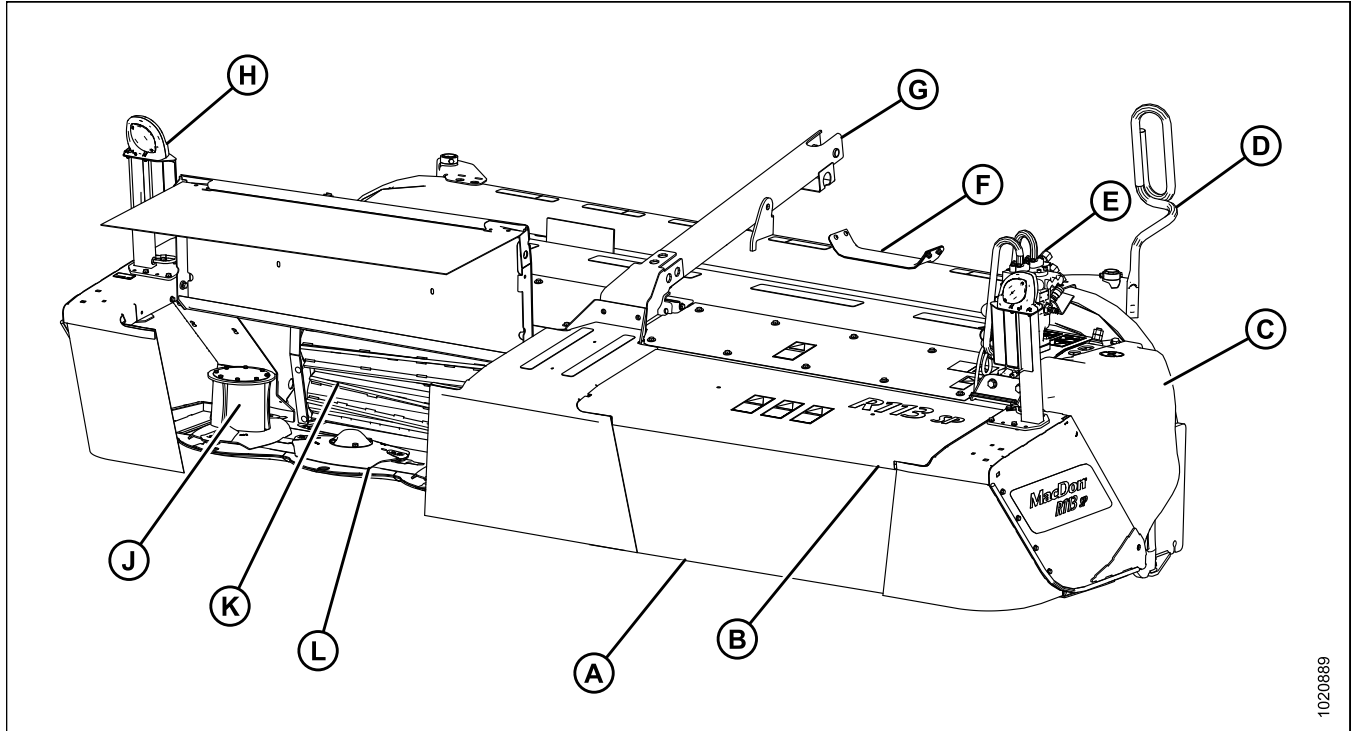
Frame and Structure	
Width (transport)	4063 mm (160 in.)
Weight: base machine and adapter frame	1364 kg (3007 lb.)
Weight: base machine, adapter frame, and steel conditioner	1850 kg (4079 lb.)
Weight: base machine, adapter frame, and polyurethane conditioner	1868 kg (4118 lb.)
Compatible windrower	MacDon M155, M155E4 Self-Propelled Windrower or M1170 Windrower
Lighting	Left and right turn signals
Manual storage	Plastic case on header right driveshield
Cutterbar	
Number of cutting discs	Eight
Blades per disc	Two 18 degrees bevel down
Disc speed (full engine speed)	2500 rpm
Blade max tip speed	80.5 m/s (180 mph)
Effective cutting width	3978 mm (13 ft.)
Cutting height	25 mm (1 in.)
Cutting angle range	0–8 degrees below horizontal
Adjustable shoes	Standard
Gear train protection	Shearpin (Safecut)
Converging Drums	Two drum type
Drives	
Hydraulic motor	Piston type into 90-degree gearbox
Cutterbar	Direct drive through 90-degree gearbox and universal shaft
Conditioner drive	Belt drive (4HB) from 90-degree gearbox to conditioner
Conditioner roll timing	Timing gearbox

PRODUCT OVERVIEW

Hay Conditioner Options	
Steel rolls	Optional
Roll type	Steel on steel chevron conditioner rolls
Roll length	3275 mm (129 in.)
Roll diameter	229 mm (9.0 in.) / 179 mm (7.0 in.) OD tube
Roll speed	1009 rpm
Polyurethane rolls	Optional
Roll type	Polyurethane intermeshing conditioner rolls
Roll length	3275 mm (129 in.)
Roll diameter	254 mm (10.0 in.) / 203 mm (8.0 in.) OD tube
Roll speed	1009 rpm
Swath width	915–2540 mm (36–102 in.)
Forming shields	Full width adjustable baffle on conditioner with adjustable side deflectors on support frame
No conditioner	Optional (includes rear curtain)

2.2 Component Identification

Figure 2.1: 3.9 Meter (13 Foot) SP Disc Header



A - Front Curtains
D - Hose Support¹
G - Center-Link Tube
K - Conditioner Rolls

B - Cutterbar Doors
E - Hydraulic Motor²
H - Hazard / Brake Lights
L - 8-Disc Cutterbar

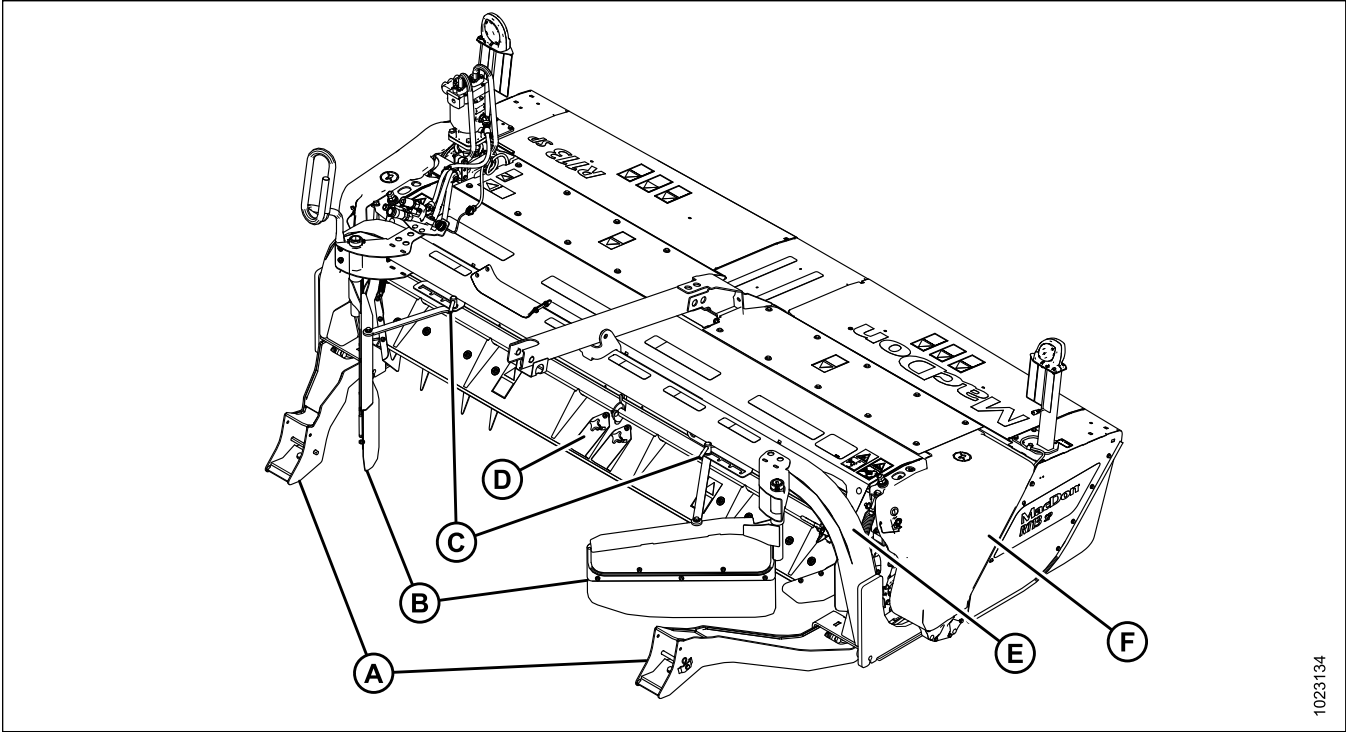
C - Drive Shield (Left)
F - Hose Support
J - Disc Drum (Right)

1. M155/M155E4 only

2. M155/M155E4 Series motor shown

PRODUCT OVERVIEW

Figure 2.2: 3.9 Meter (13 Foot) SP Disc Header



A - Header Supports
D - Rear Crop Baffle

B - Side Deflectors
E - Adapter Frame

C - Side Deflector Adjuster Handles
F - Drive Shield

1023134

PRODUCT OVERVIEW

2.3 Definitions

The following terms and acronyms may be used in this manual.

Term	Definition
API	American Petroleum Institute
ASTM	American Society of Testing and Materials
Bolt	A headed and externally threaded fastener that is designed to be paired with a nut
Center-link	A hydraulic cylinder link between header and machine used to change header angle
CGVW	Combined gross vehicle weight
FFFT	Flats from finger tight
Finger tight	Finger tight is a reference position where sealing surfaces or components are making contact with each other, and fitting has been tightened to a point where fitting is no longer loose
GVW	Gross vehicle weight
Hard joint	A joint made with use of a fastener where joining materials are highly incompressible
Hex key	A tool of hexagonal cross-section used to drive bolts and screws that have a hexagonal socket in head (internal-wrenching hexagon drive); also known as an Allen key and various other synonyms
hp	Horsepower
JIC	Joint Industrial Council: A standards body that developed standard sizing and shape for original 37° flared fitting
n/a	Not applicable
NPT	National Pipe Thread: A style of fitting used for low pressure port openings. Threads on NPT fittings are uniquely tapered for an interference fit
Nut	An internally threaded fastener that is designed to be paired with a bolt
ORB	O-ring boss: A style of fitting commonly used in port opening on manifolds, pumps, and motors
ORFS	O-ring face seal: A style of fitting commonly used for connecting hoses and tubes. This style of fitting is also commonly called ORS, which stands for O-ring seal
R1 Series header	MacDon R113 SP disc headers for windrowers
SAE	Society of Automotive Engineers
Screw	A headed and externally threaded fastener that threads into preformed threads or forms its own thread into a mating part
Soft joint	A joint made with use of a fastener where joining materials are compressible or experience relaxation over a period of time
SP disc header	Rotary disc header that connects to a self-propelled machine (windrower, etc.)
Tension	Axial load placed on a bolt or screw, usually measured in Newtons (N) or pounds (lb.)

PRODUCT OVERVIEW

Term	Definition
TFFT	Turns from finger tight
Torque	The product of a force X lever arm length, usually measured in Newton-meters (Nm) or foot-pounds (lbf-ft)
Torque angle	A tightening procedure where fitting is assembled to a precondition (finger tight) and then nut is turned farther a number of degrees to achieve its final position
Torque-tension	The relationship between assembly torque applied to a piece of hardware and axial load it induces in bolt or screw
Washer	A thin cylinder with a hole or slot located in the center that is to be used as a spacer, load distribution element, or a locking mechanism

3 Operation

3.1 Break-In Period

After attaching the header to the windrower for the first time, operate the machine slowly for five minutes, watching and listening from the operator's seat for binding or interfering parts.

NOTE:

Until you become familiar with the sound and feel of your new header, be extra alert and attentive.



CAUTION

Before investigating an unusual sound or attempting to correct a problem, stop the engine, engage parking brake, and remove the key.

NOTE:

Perform the items specified in [4.3.2 Break-In Inspections, page 98](#).

3.2 Daily Start-Up Check

Perform the following checks each day before startup:

CAUTION

- Ensure windrower and header are properly attached, all controls are in neutral, and windrower brakes are engaged.
- Clear the area of other persons, pets etc. Keep children away from machinery. Walk around the header to make sure no one is under, on, or close to it.
- Wear close-fitting clothing and protective shoes with slip resistant soles. As well, carry with you any protective clothing and personal safety devices that could be necessary throughout the day. Don't take chances.
- Remove foreign objects from the machine and surrounding area.

Protect yourself. You may need the following:

- A hard hat
- Protective footwear with slip resistant soles
- Protective glasses or goggles
- Heavy gloves
- Wet weather gear
- A respirator or filter mask

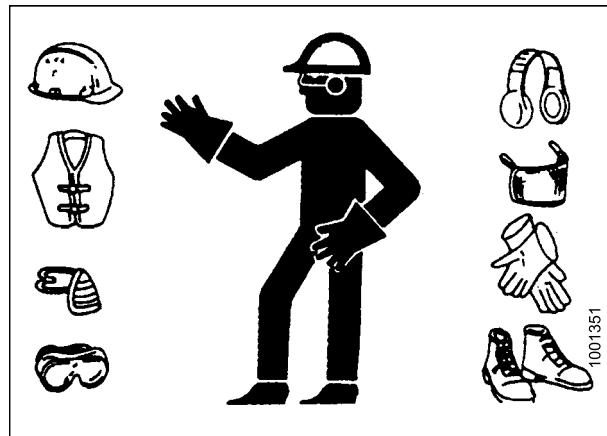


Figure 3.1: Safety Equipment

Use proper hearing protection:

Be aware that exposure to loud noise can cause impairment or loss of hearing. Wear suitable hearing protection such as earmuffs or earplugs to help protect against loud noises.



Figure 3.2: Safety Equipment

OPERATION

1. Check the machine for leaks or any parts that are missing, broken, or not working correctly.

NOTE:

Use proper procedure when searching for pressurized fluid leaks. Refer to [4.12.1 Checking Hydraulic Hoses and Lines, page 184](#).

2. Clean all lights and reflective surfaces on the machine, and check lights for proper operation.
3. Perform all daily maintenance. Refer to [4.3.1 Maintenance Schedule/Record, page 96](#).

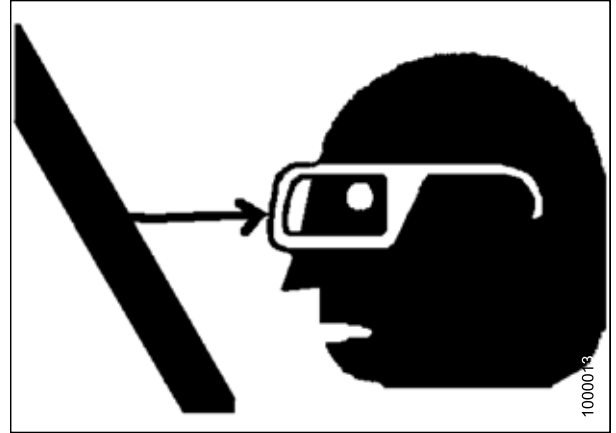


Figure 3.3: Safety around Equipment

3.3 Engaging and Disengaging Header Safety Props

Safety props are located on both header lift cylinders on the windrower.

Refer to relevant procedure for your windrower:

- M1 Series Windrowers [3.3.1 Engaging and Disengaging Header Safety Props: M1 Series Windrower, page 24](#)
- M Series Self-Propelled Windrowers [3.3.2 Engaging and Disengaging Header Safety Props: M Series Self-Propelled Windrower, page 25](#)

3.3.1 Engaging and Disengaging Header Safety Props: M1 Series Windrower

Safety props are located on both header lift cylinders on the windrower. Follow these steps to engage or disengage the header safety props:

DANGER

To avoid bodily injury from fall of raised header, always engage safety props when working on or around raised header, and before going under header for any reason.

1. Start the engine. Press the HEADER UP (A) switch to raise header to maximum height.

NOTE:

If one end of the header does **NOT** fully raise, rephase the lift cylinders as follows:

- a. Press and hold the HEADER UP switch (A) until both cylinders stop moving.
- b. Continue to hold the switch for 3–4 seconds. Cylinders are now phased.

2. Stop the engine and remove the key.



Figure 3.4: Ground Speed Lever

3. Engage safety props on both lift cylinders as follows:
 - a. Pull lever (A), rotate toward header to release, and lower the safety prop onto the cylinder.
 - b. Repeat for opposite lift cylinder.

IMPORTANT:

Ensure the safety props engage over cylinder piston rods. If safety prop does not engage properly, raise the header until the safety prop fits over the rod.

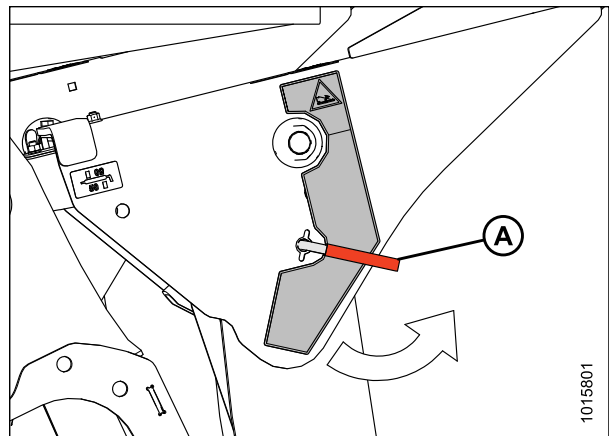


Figure 3.5: Safety Prop

OPERATION

4. Disengage safety props by turning lever (A) away from header to raise safety prop until lever locks into vertical position.

NOTE:

If safety prop will not disengage, raise header to release the prop.

5. Repeat for opposite cylinder.

CAUTION

Check to be sure all bystanders have cleared the area.

6. Start the engine, choose a level area, and lower header to the ground. Stop the engine and remove the key.

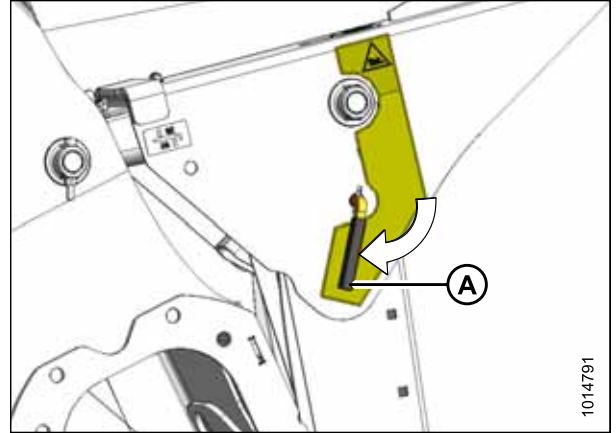


Figure 3.6: Safety Prop

3.3.2 Engaging and Disengaging Header Safety Props: M Series Self-Propelled Windrower

Safety props are located on both header lift cylinders on the windrower. Follow these steps to engage or disengage the header safety props:

DANGER

To avoid bodily injury from fall of raised header, always engage safety props when working on or around raised header, and before going under header for any reason.

Engage safety props as follows:

1. Start engine and press HEADER UP switch (A) to raise header to maximum height.
2. Rephase cylinders if one end of the header does not raise fully. If rephasing is required, proceed as follows:
 - a. Press and hold the HEADER UP switch (A) until both cylinders stop moving.
 - b. Continue to hold the switch for 3–4 seconds. Cylinders are now phased.



Figure 3.7: Ground Speed Lever (GSL)

OPERATION

3. Pull lever (A) and rotate toward header to lower safety prop (B) onto cylinder. Repeat for opposite cylinder.

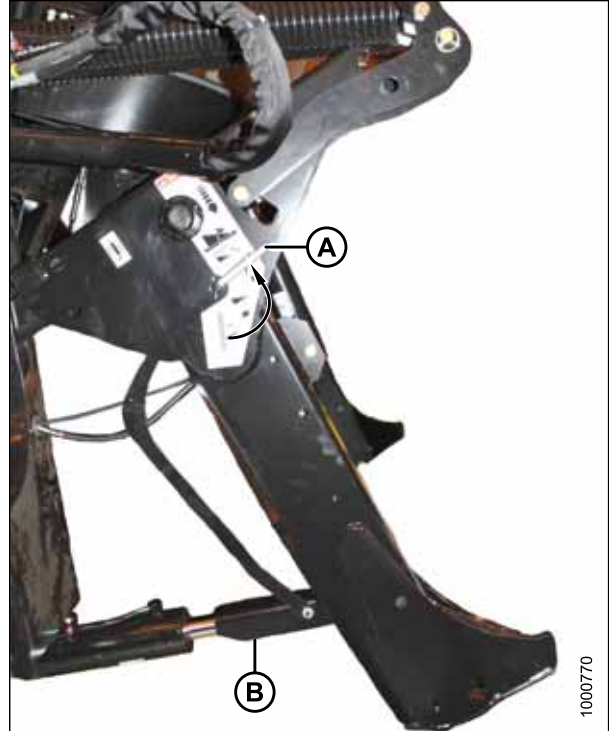


Figure 3.8: Safety Prop

Disengage safety props as follows:

DANGER

To avoid bodily injury or death from unexpected startup of the machine, always stop the engine and remove the key from the ignition before leaving the operator's seat for any reason.

1. Turn lever (A) away from header to raise safety prop until lever locks into vertical position. Repeat for opposite cylinder.
2. Start engine, choose a level area, and lower header to the ground.
3. Stop the engine, and remove the key.

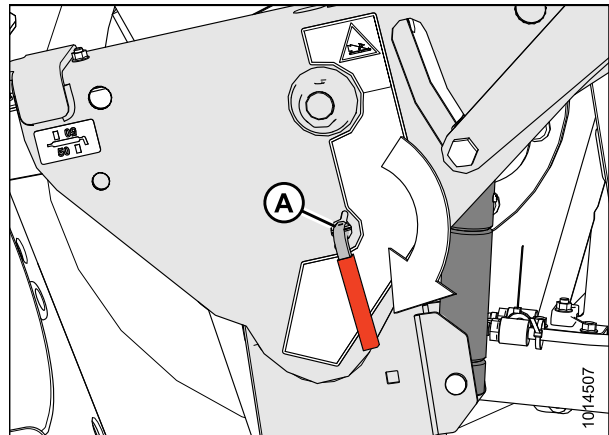


Figure 3.9: Safety Prop

3.4 Attaching Header to Windrower

3.4.1 Attaching R1 Series Disc Header to M1170 Windrower

The windrower hydraulic center-link may be equipped with a self-aligning option that allows the Operator to control the vertical position of the center-link from the cab.

DANGER

To avoid bodily injury or death from unexpected startup of the machine, always stop the engine and remove the key from the ignition before leaving the operator's seat for any reason.

1. **Hydraulic Center-Link without Self-Alignment:**
Remove pin (A) and raise center-link (B) until hook is above the attachment pin on header. Replace pin (A) to hold center-link in place.

IMPORTANT:

If the center-link is too low, it may contact the header as the windrower approaches the header for hookup.

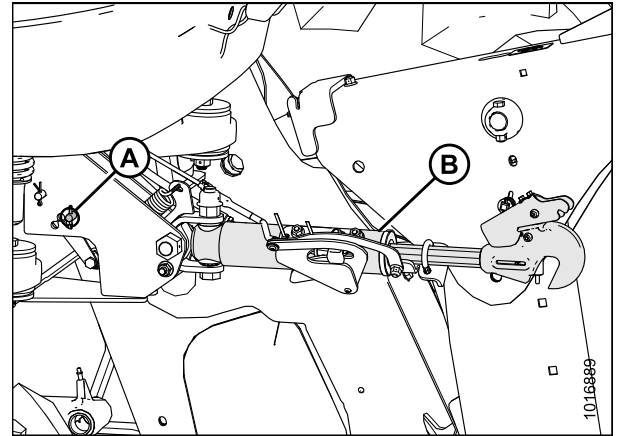


Figure 3.10: Hydraulic Center-Link

2. Remove hairpin (A) from clevis pin (B), and remove pin from header support (C) on both sides of header.

CAUTION

Check to be sure all bystanders have cleared the area.

3. Start windrower engine.

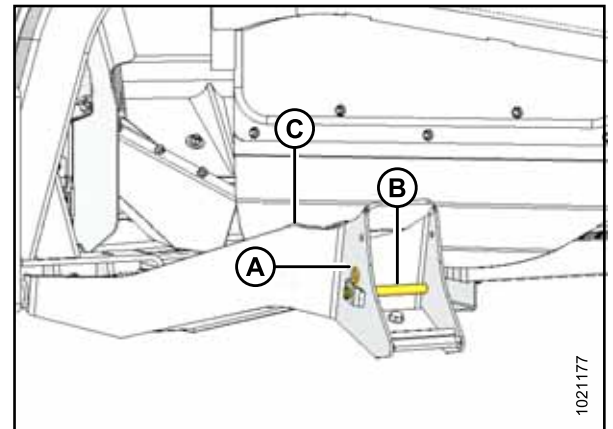


Figure 3.11: Header Support

OPERATION

CAUTION

When lowering header lift legs without a header or weight box attached to the windrower, ensure the float springs tension is fully released to prevent damage to the header lift linkages.

NOTE:

If not prompted by the Harvest Performance Tracker (HPT) display to remove float, remove float manually. Refer to windrower operator's manual for instructions.

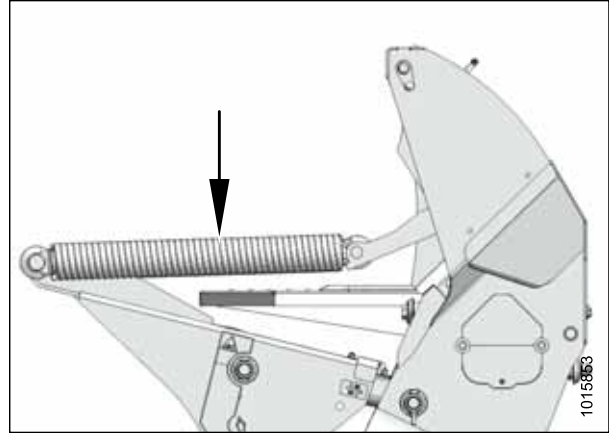


Figure 3.12: Header Float Spring

4. Press rotary scroll knob (A) on the HPT display to highlight QuickMenu options.
5. Rotate scroll knob (A) to highlight the HEADER FLOAT symbol (B), and press scroll knob to select. The header float adjust screen displays.



Figure 3.13: HPT Display

6. Press soft key 3 (A) to remove the header float.

NOTE:

If the header float is active, the icon at soft key 3 will display REMOVE FLOAT; if header float has been removed, the icon will display RESUME FLOAT.



Figure 3.14: HPT Display

OPERATION

7. Press HEADER DOWN switch (E) on the ground speed lever (GSL) to fully retract header lift cylinders.
8. **Self-Aligning Hydraulic Center-Link:** Press the REEL UP switch (B) on the GSL to raise the center-link until the hook is above the attachment pin on the header.

IMPORTANT:

If the center-link is too low, it may contact the header as the windrower approaches the header for hookup.

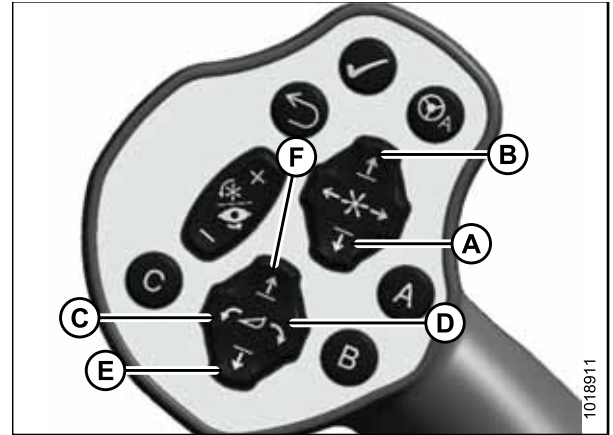


Figure 3.15: GSL

A - Reel Down
B - Reel Up
C - Header Tilt Down
D - Header Tilt Up
E - Header Down
F - Header Up

9. Drive the windrower slowly forward until the feet (A) enter the supports (B). Continue to drive slowly forward until feet engage the supports and header nudges forward.
10. Ensure that feet (A) are properly engaged in supports (B).

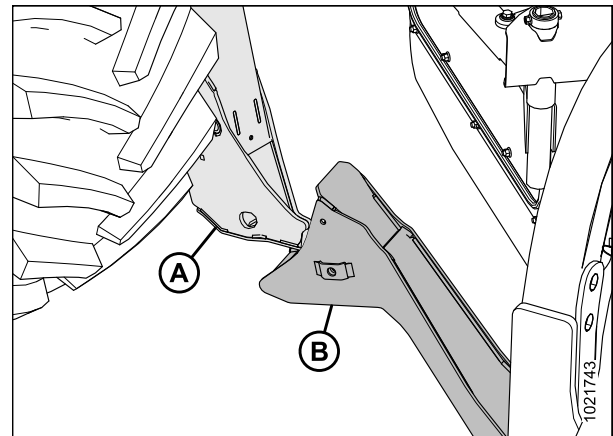


Figure 3.16: Header Support

11. **Self-Aligning Hydraulic Center-Link:**
 - a. Adjust position of the center-link cylinder (A) with the switches on the GSL until hook (B) is above the header attachment pin.

IMPORTANT:

Hook release (C) must be down to enable self-locking mechanism.

- b. If the hook release (C) is open (up), stop the engine and remove the ignition key. Manually push the hook release (C) down after the hook engages the header pin.
- c. Lower center-link (A) onto the header with REEL DOWN switch on the GSL until the center-link locks into position and the hook release (C) is down.
- d. Check that center-link is locked onto header by pressing the REEL UP switch on the GSL.

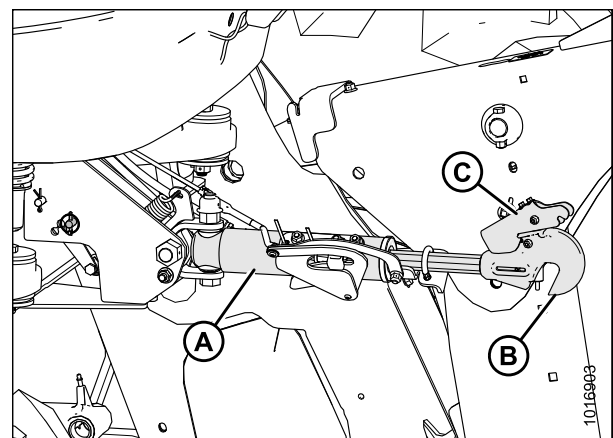


Figure 3.17: Hydraulic Center-Link

OPERATION

12. Hydraulic Center-Link without Self-Alignment:

- Press HEADER TILT UP or HEADER TILT DOWN cylinder switches on the GSL to extend or retract center-link cylinder until the hook is aligned with the header attachment pin.
- Stop the engine and remove the key.
- Push down on rod end of link cylinder (B) until hook engages and locks onto header pin.

IMPORTANT:

Hook release must be down to enable self-locking mechanism. If the hook release is open (up), manually push it down after hook engages pin.

- Check that center-link (A) is locked onto header by pulling upward on rod end (B) of cylinder.

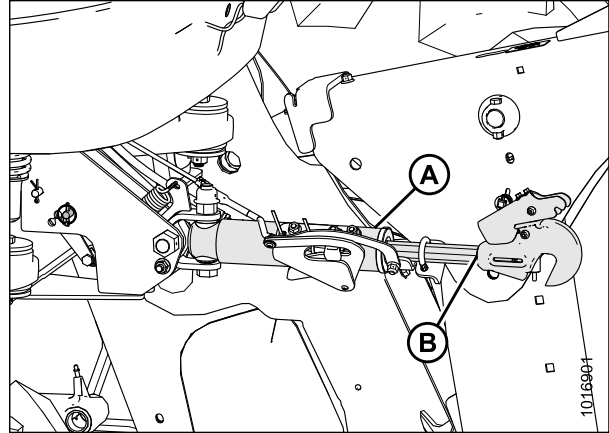


Figure 3.18: Hydraulic Center-Link

CAUTION

Check to be sure all bystanders have cleared the area.

- Start engine.

- Press the HEADER UP switch (A) to raise the header to maximum height.

NOTE:

If one end of the header does **NOT** fully raise, rephase the lift cylinders as follows:

- Press and hold the HEADER UP switch (A) until both cylinders stop moving.
- Continue to hold the switch for 3–4 seconds. Cylinders are now phased.

- Stop the engine and remove the key.



Figure 3.19: GSL

- Engage safety prop on the windrower's lift cylinder as follows:

- Pull lever (A) and rotate toward header to release, and lower safety prop onto cylinder.
- Repeat for opposite lift cylinder.

IMPORTANT:

Ensure the safety props engage over the cylinder piston rods. If a safety prop does not engage properly, raise the header until the prop fits over the rod.

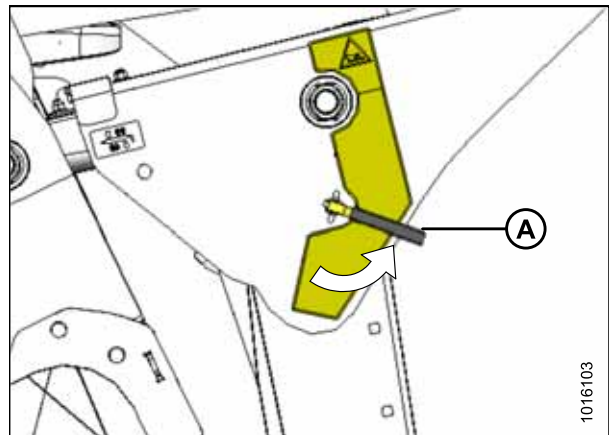


Figure 3.20: Cylinder Safety Prop

OPERATION

16. Install clevis pin (A) through support and windrower lift arm and secure with hairpin (B). Repeat for opposite side.

IMPORTANT:

Ensure clevis pin (A) is fully inserted, and hairpin is installed behind bracket.

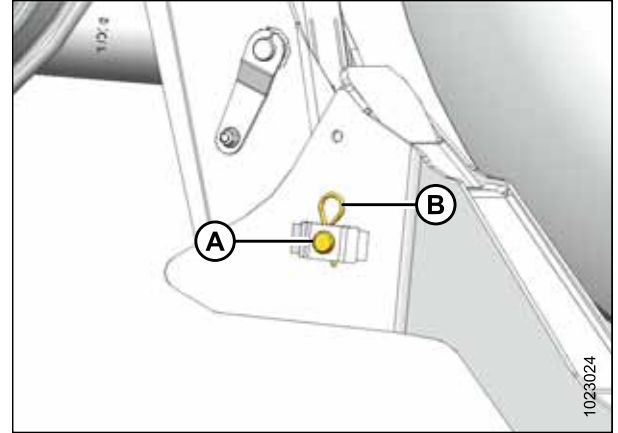


Figure 3.21: Header Support

17. Disengage safety props by turning lever (A) away from the header to raise the safety prop until the lever locks into vertical position. Repeat for opposite cylinder.

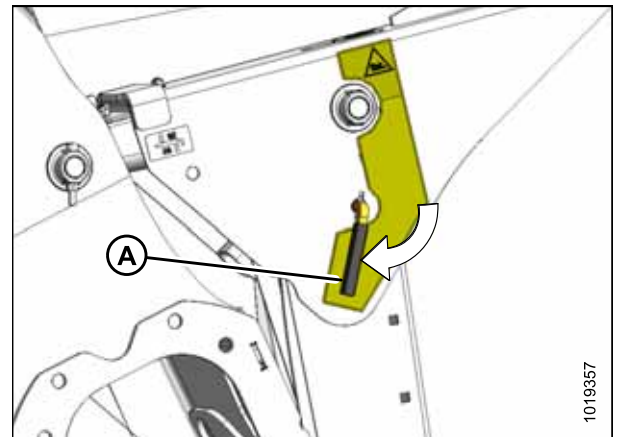


Figure 3.22: Safety Props

18. Start the engine and press HEADER DOWN switch (A) on GSL to fully lower header.

NOTE:

If not prompted by the HPT display to restore float, restore float manually.

19. Stop the engine and remove the key.

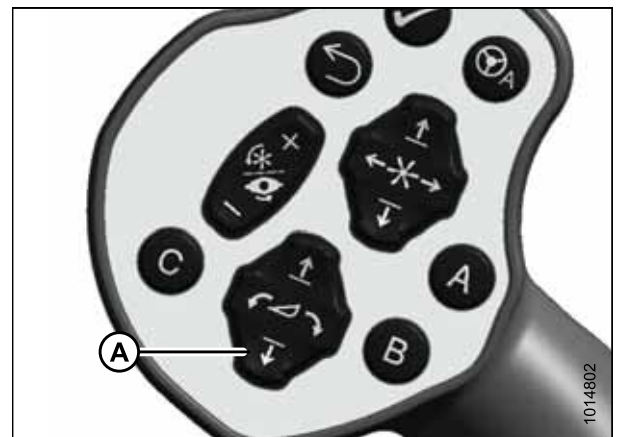


Figure 3.23: GSL

20. Proceed to [Connecting R1 Series Hydraulics and Electrical: M1170 Windrowers, page 42.](#)

3.4.2 Attaching R1 Series Disc Header to M155 or M155E4 Windrowers with Hydraulic Center-Link and Optional Self-Alignment

CAUTION

To avoid bodily injury or death from unexpected startup of machine, always stop engine and remove key from ignition before leaving operator's seat for any reason.

1. Remove hairpin (B) from clevis pin (A) and remove clevis pin from the header supports (C) on both sides of the header.

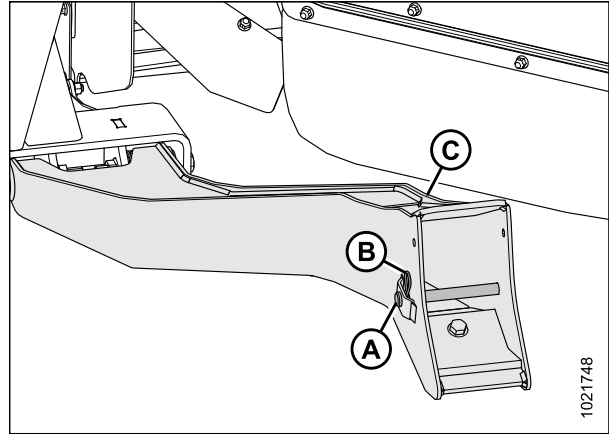


Figure 3.24: Header Support

CAUTION

To prevent damage to the lift system when lowering header lift linkages without a header or weight box attached to the windrower, ensure the float engagement pin is installed in storage position (B) and NOT in engaged position (A).

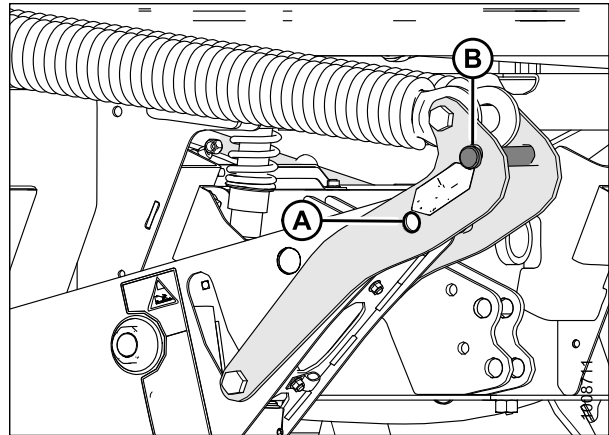


Figure 3.25: Float Linkage

OPERATION

CAUTION

Check to be sure all bystanders have cleared the area.

2. Start the engine and press the HEADER DOWN button (A) on the ground speed lever (GSL) to fully retract header lift cylinders.

IMPORTANT:

If the center-link is too low, it may contact the header as the windrower approaches the header for hookup.

3. Press the REEL UP switch (A) on the GSL to raise the center-link until the hook is above the attachment pin on the header.

4. Drive the windrower slowly forward until the windrower feet (A) enter the header supports (B). Continue driving slowly forward until the feet engage the supports and the header nudges forward.

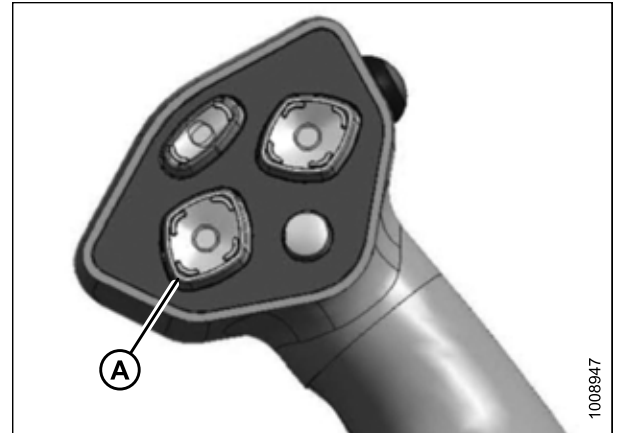


Figure 3.26: Ground Speed Lever

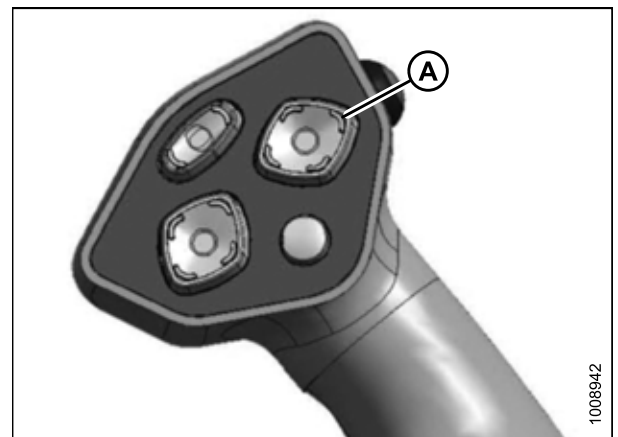


Figure 3.27: Ground Speed Lever

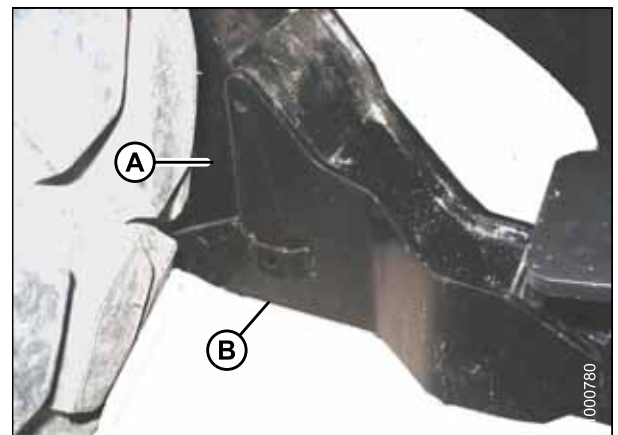


Figure 3.28: Header Support

OPERATION

5. Use the following GSL functions to position the center-link hook above the header attachment pin:
 - REEL UP (A) to raise the center-link
 - REEL DOWN (B) to lower the center-link
 - HEADER TILT UP (C) to retract the center-link
 - HEADER TILT DOWN (D) to extend the center-link

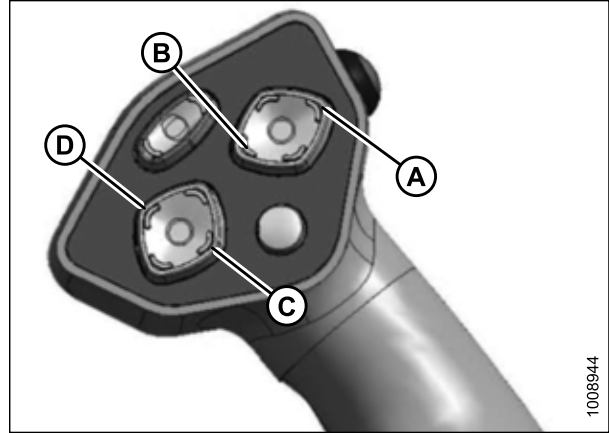


Figure 3.29: Ground Speed Lever

6. Adjust center-link cylinder (A) position with the REEL UP and REEL DOWN switches on the GSL until the hook is positioned above the header attachment pin.

IMPORTANT:

The hook release must be down to enable the self-locking mechanism. If the release is open (up), manually push it down after hook engages header pin.

7. Lower center-link (A) onto the header with REEL DOWN switch until the center-link locks into position and the hook release (B) is down.
8. Check that center-link is locked onto header by pressing the REEL UP switch on the GSL.

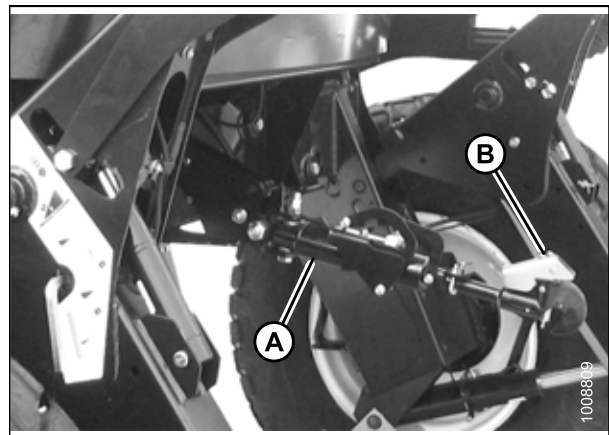


Figure 3.30: Hydraulic Center-Link

CAUTION

Check to be sure all bystanders have cleared the area.

9. Press HEADER UP switch (A) to raise the header to maximum height.
10. If one end of the header does **NOT** fully raise, rephase the lift cylinders as follows:
 - a. Press and hold the HEADER UP switch until both cylinders stop moving.
 - b. Continue to hold the switch for 3–4 seconds. Cylinders are now phased.

NOTE:

It may be necessary to repeat this procedure if there is air in the system.



Figure 3.31: Ground Speed Lever

OPERATION

11. Engage the safety props on both lift cylinders as follows:
 - a. Stop engine and remove key from ignition.
 - b. Pull lever (A) and rotate towards the header to release and lower safety prop (B) onto the lift cylinder.
 - c. Repeat for opposite lift cylinder.

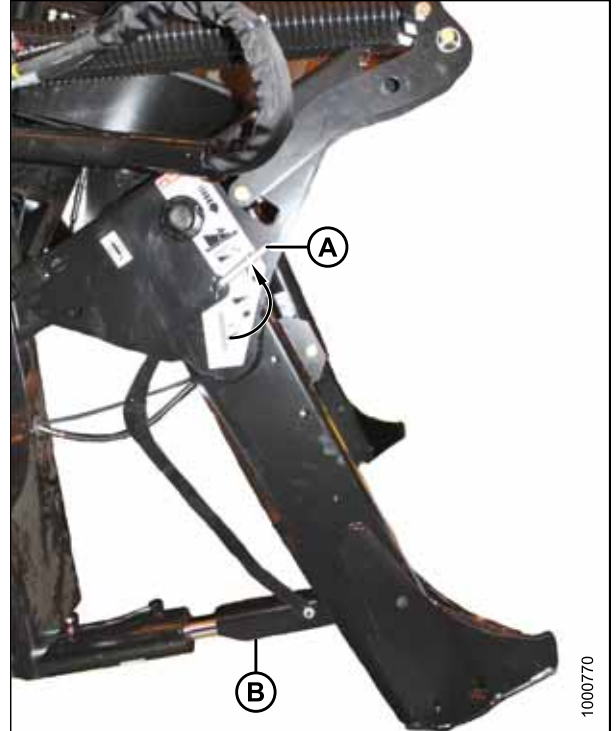


Figure 3.32: Safety Prop

12. Install clevis pin (A) through support and windrower lift member, and secure with hairpin (B). Repeat for opposite side.

IMPORTANT:

Ensure clevis pin (A) is fully inserted and hairpin is installed behind bracket.

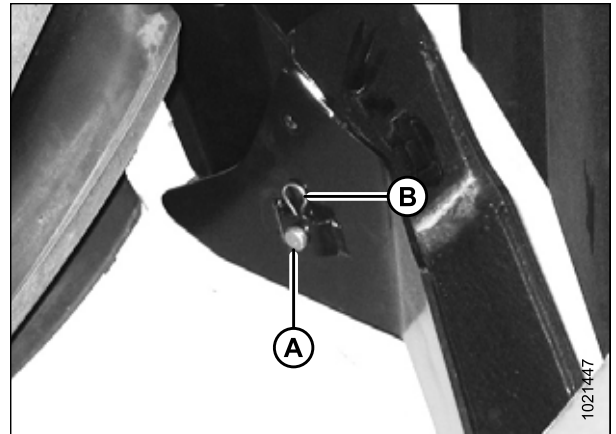


Figure 3.33: Header Support

OPERATION

13. Remove the clevis pin from storage position (B) in linkage and insert into hole (A) to engage the float springs. Secure with hairpin.

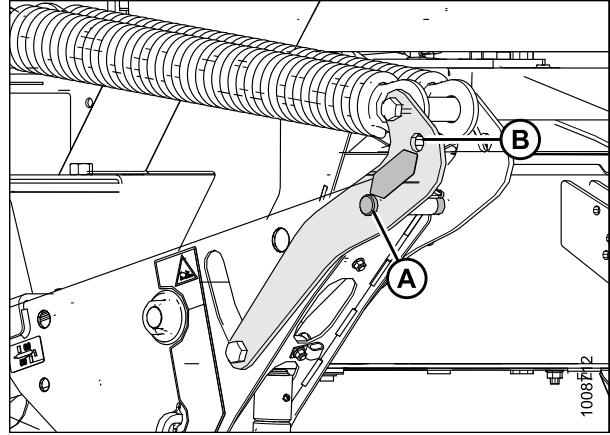


Figure 3.34: Header Float Linkage

14. Disengage the safety prop by turning lever (A) downwards until lever locks into vertical position.
15. Repeat for opposite safety prop.

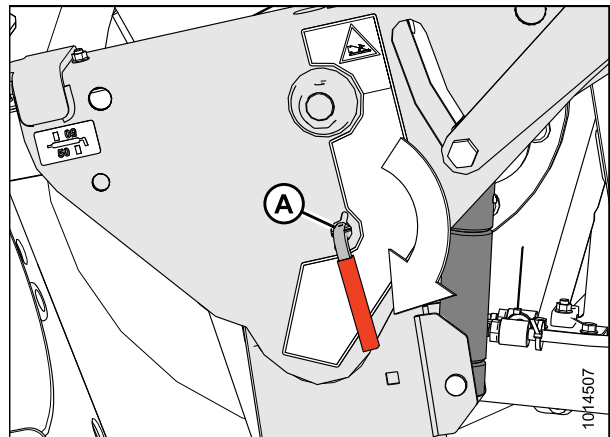


Figure 3.35: Safety Prop Lever

CAUTION

Check to be sure all bystanders have cleared the area.

16. Start the engine and press HEADER DOWN switch (A) on the GSL to fully lower the header.
17. Stop engine and remove key from ignition.

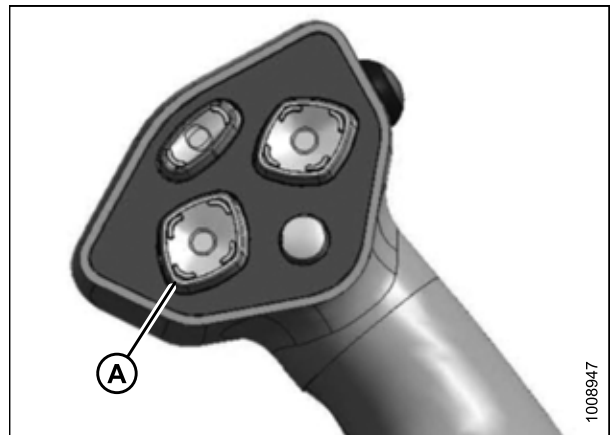


Figure 3.36: Ground Speed Lever

3.4.3 Attaching an R1 Series Disc Header to an M155 or M155E4 Windrower: Hydraulic Center-Link without Optional Self-Alignment

DANGER

To avoid bodily injury or death from unexpected startup of the machine, always stop the engine and remove the key from the ignition before leaving the operator's seat for any reason.

1. Remove hairpin (B) from clevis pin (A), and then remove clevis pin from header supports (C) on both sides of the header.

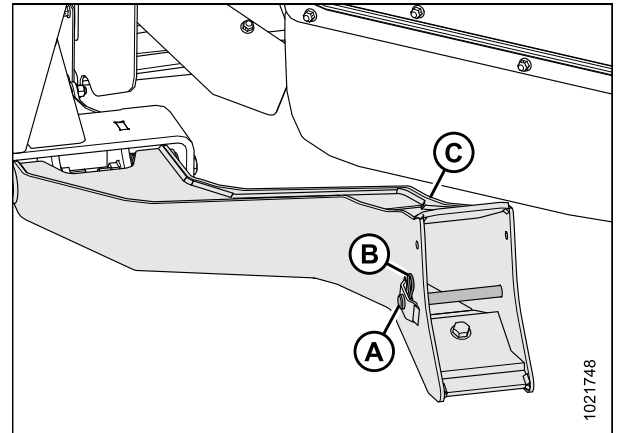


Figure 3.37: Header Support

CAUTION

To prevent damage to the lift system when lowering header lift linkages without a header or weight box attached to the windrower, ensure the float engagement pin is installed in storage position (B) and NOT in engaged position (A).

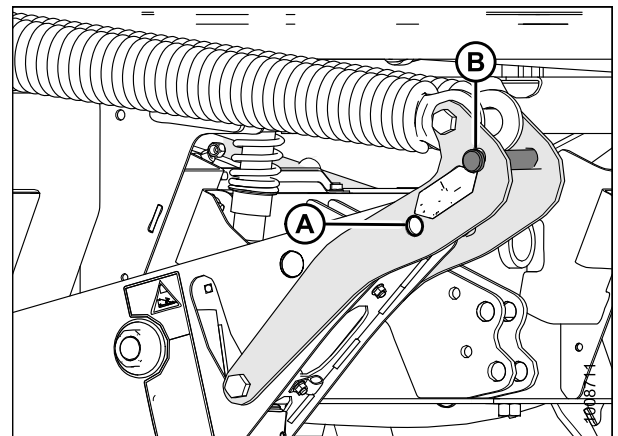


Figure 3.38: Header Float Linkage

OPERATION

CAUTION

Check to be sure all bystanders have cleared the area.

2. Start the engine, and press HEADER DOWN button (A) on the ground speed lever (GSL) to fully retract header lift cylinders.

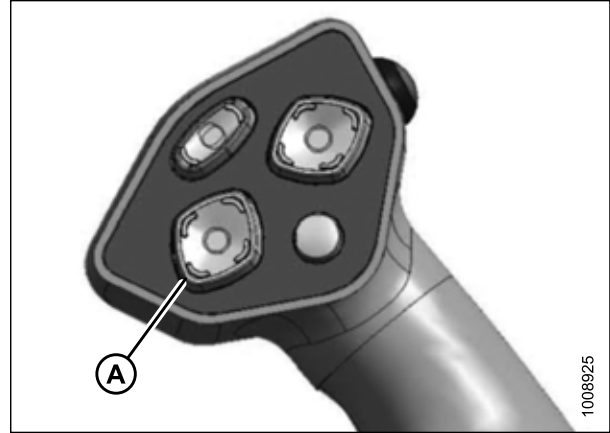


Figure 3.39: Ground Speed Lever

3. Remove pin (A) pin in frame linkage and raise center-link (B) until hook is above the attachment pin on header. Replace pin (A) to hold center-link in place.

IMPORTANT:

If the center-link is too low, it may contact the header as the windrower approaches the header for hookup.

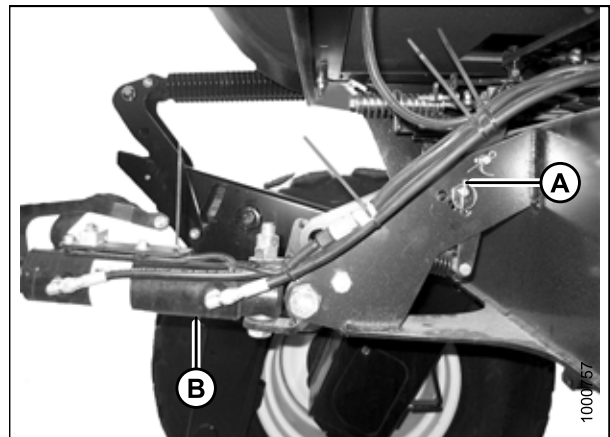


Figure 3.40: Hydraulic Center-Link

4. Drive the windrower slowly forward until the windrower feet (A) enter the header supports (B). Continue driving slowly forward until the feet engage the supports and the header nudges forward.

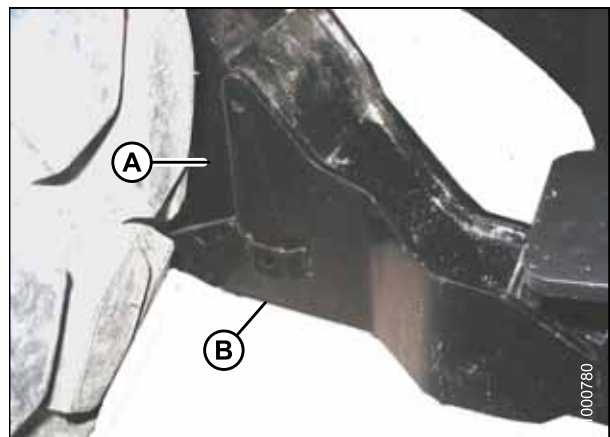


Figure 3.41: Header Support

OPERATION

5. Use the following GSL functions to position the center-link hook above the header attachment pin:
 - HEADER TILT UP (A) to retract the center-link
 - HEADER TILT DOWN (B) to extend the center-link
6. Stop engine, and remove key from ignition.

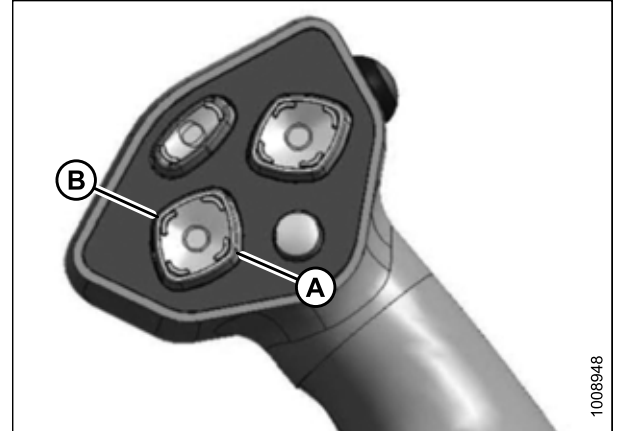


Figure 3.42: Ground Speed Lever

7. Push down on rod end of link cylinder (B) until hook engages and locks onto header pin.

IMPORTANT:

The hook release must be down to enable the self-locking mechanism. If the release is open (up), manually push it down after hook engages header pin.

8. Check that center-link (A) is locked onto the header by pulling upward on rod end (B) of cylinder.

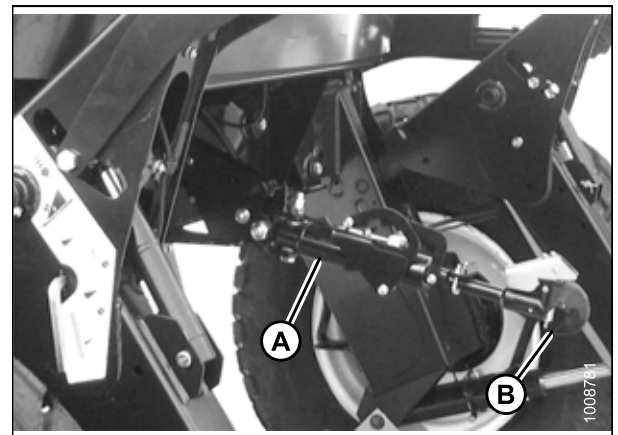


Figure 3.43: Hydraulic Center-Link

CAUTION

Check to be sure all bystanders have cleared the area.

9. Start the engine.
10. Press HEADER UP switch (A) to raise the header to maximum height.
11. If one end of the header does **NOT** fully raise, rephase the lift cylinders as follows:
 - a. Press and hold the HEADER UP switch until both cylinders stop moving.
 - b. Continue to hold the switch for 3–4 seconds. Cylinders are now phased.

NOTE:

It may be necessary to repeat this procedure if there is air in the system.

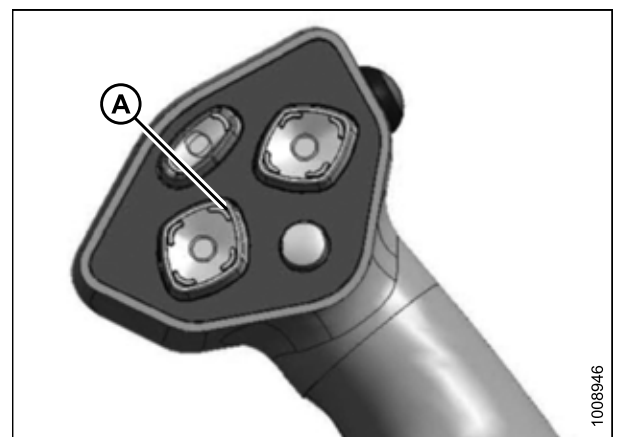


Figure 3.44: Ground Speed Lever

OPERATION

12. Engage the safety props on both lift cylinders as follows:
 - a. Stop engine and remove key from ignition.
 - b. Pull lever (A) and rotate towards the header to release and lower safety prop (B) onto the lift cylinder.
 - c. Repeat for opposite lift cylinder.

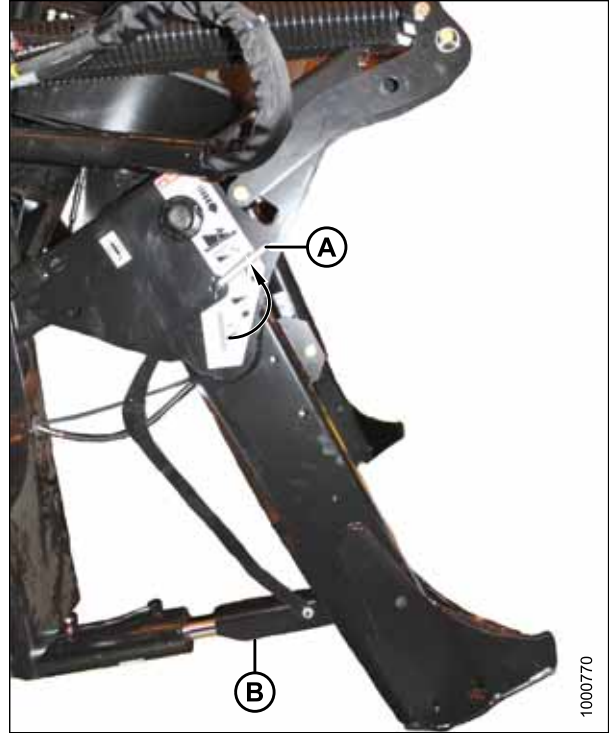


Figure 3.45: Safety Prop

13. Install clevis pin (A) through the support and windrower lift member, and secure with hairpin (B). Repeat for opposite side.

IMPORTANT:

Ensure clevis pin (A) is fully inserted and hairpin is installed behind bracket.

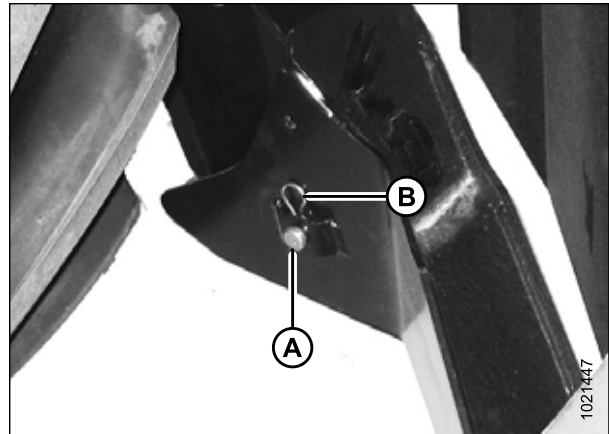


Figure 3.46: Header Support

OPERATION

14. Remove the clevis pin from storage position (B) in linkage and insert into hole (A) to engage the float springs. Secure with hairpin.

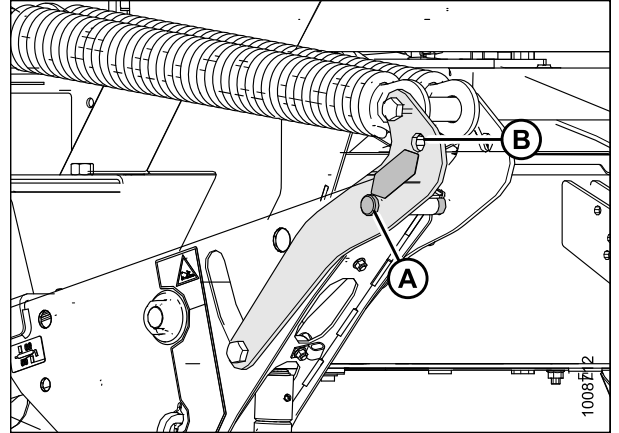


Figure 3.47: Header Float Linkage

15. Disengage the safety prop by turning lever (A) downwards until lever locks into vertical position.
16. Repeat for opposite safety prop.

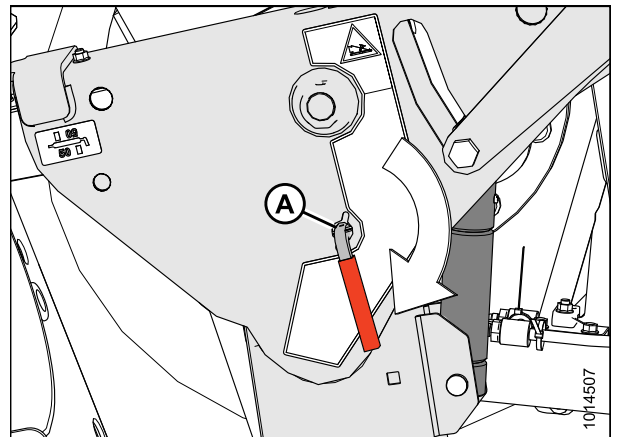


Figure 3.48: Safety Prop Lever

CAUTION

Check to be sure all bystanders have cleared the area.

17. Start the engine and press HEADER DOWN switch (A) on the GSL to fully lower the header.
18. Stop engine and remove key from ignition.

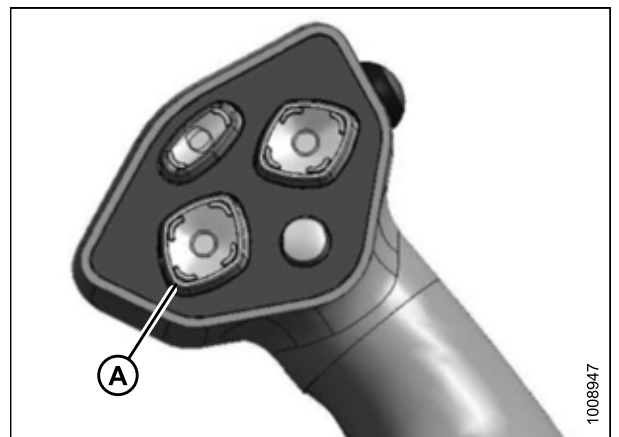


Figure 3.49: Ground Speed Lever

3.4.4 Attaching Hydraulics and Electrical Connections

The procedure for attaching the header hydraulic and electrical connections depends on the windrower model. Refer to the appropriate procedure:

- *Connecting R1 Series Hydraulics and Electrical: M1170 Windrowers, page 42*
- *Connecting R1 Series Hydraulics and Electrical: M155 and M155E4 Windrowers, page 44*

Connecting R1 Series Hydraulics and Electrical: M1170 Windrowers

NOTE:

Hydraulic drive kit (A) (MD #B6271) is required for an R113 SP Disc Header to operate correctly on a M1170 Windrower. To order this kit, contact your MacDon Dealer.

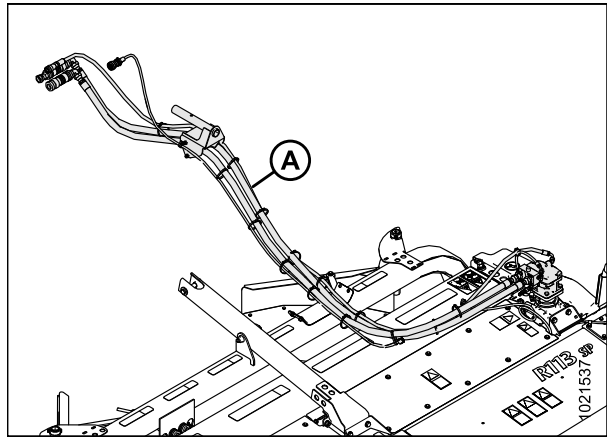


Figure 3.50: Hydraulic Drive Kit (MD #B6271)

1. Move the windrower's left (cab-forward) platform to the OPEN position. Refer to your windrower operator's manual for instructions.
2. Retrieve hydraulic hoses from header.
3. Attach hose support (A) to windrower frame near left cab-forward leg, and route hose bundle under frame.

NOTE:

Route hoses as straight as possible and avoid rub/wear points that could damage hydraulic hoses.

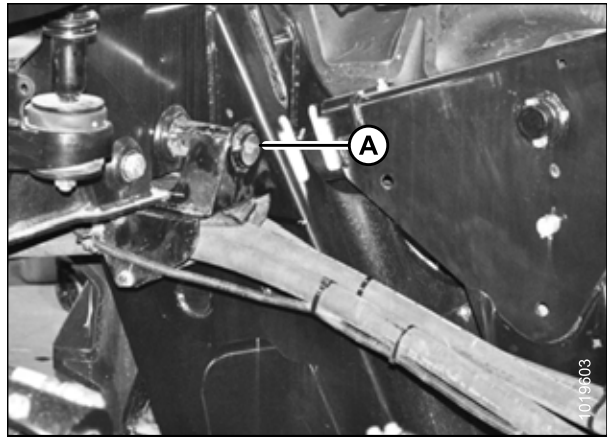


Figure 3.51: Hose Support Attachment

OPERATION

4. Rest hose bundle routed from windrower on header's hose support (A).
5. If necessary, use a clean rag to remove dirt and moisture from the couplers.

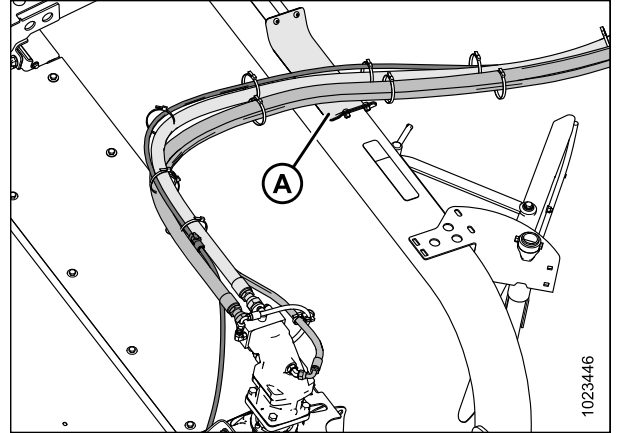


Figure 3.52: Hose Support

6. Connect header hydraulic hoses and electrical harness included in kit MD #B6271 to header motor as follows:
 - a. Connect pressure hose to receptacle (A).
 - b. Connect return hose to receptacle (B).
 - c. Connect case drain hose to receptacle (C).
 - d. Connect the electrical harness to windrower electrical harness (D).

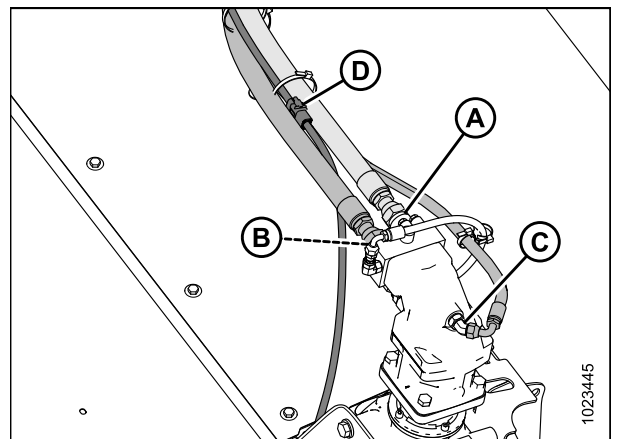


Figure 3.53: Header Hydraulics and Electrical Connections

7. Remove protective plugs (A) from return line fitting (B) and pressure line fitting (C).

IMPORTANT:

Keep open lines and ports clean.

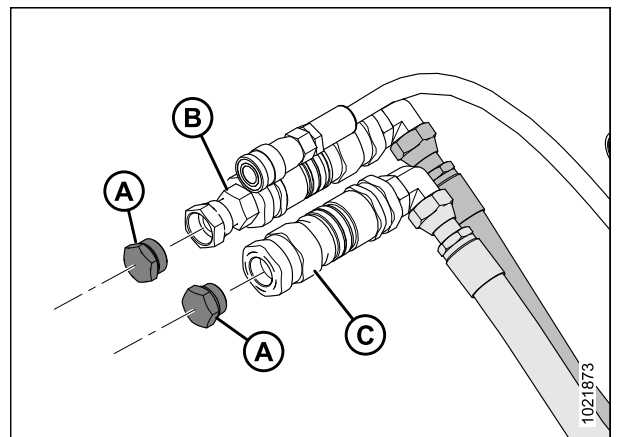


Figure 3.54: Protective Plugs

OPERATION

8. Connect hydraulic hoses and electrical harness to receptacles on windrower as follows:
 - a. Connect pressure hose to receptacle (A).
 - b. Connect return hose to receptacle (B).
 - c. Connect case drain hose to receptacle (C).
 - d. Connect the electrical harness to receptacle (D).

NOTE:

The hydraulic hoses should have enough slack to pass by the multicoupler (E) without coming into contact with it. This will protect the hoses from rubbing against the multicoupler and becoming damaged. You can increase slack in the hoses by loosening and adjusting the hose holder on the front windrower leg, and pulling the hoses backward toward the windrower.

9. Close the windrower's left side platform. Refer to windrower operator's manual for procedure.

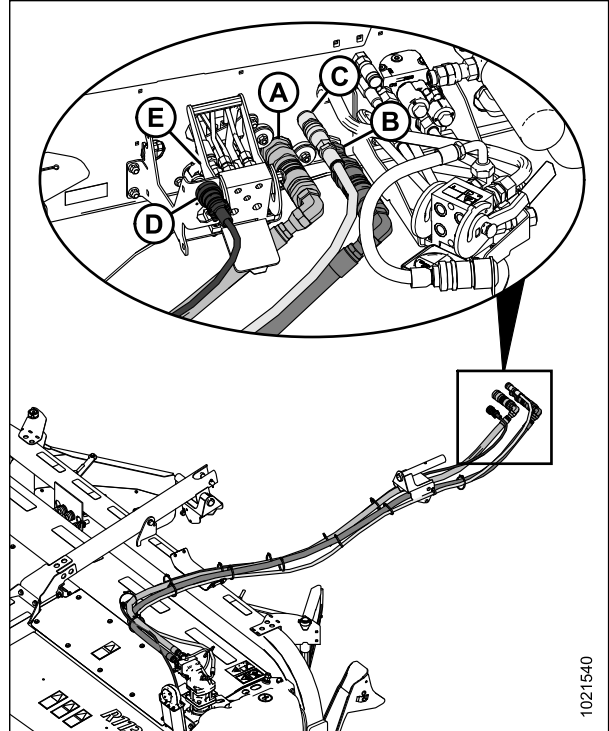


Figure 3.55: M1170 Hydraulic and Electrical Connections

Connecting R1 Series Hydraulics and Electrical: M155 and M155E4 Windrowers

DANGER

To avoid bodily injury or death from unexpected startup of the machine, always stop the engine and remove the key from the ignition before leaving the operator's seat for any reason.

NOTE:

Hydraulic drive kit (A) (MD #B6272) is required for an R113 Disc Header to operate correctly on M155 and M155E4 Self-Propelled Windrowers. To order this kit, contact your MacDon Dealer.

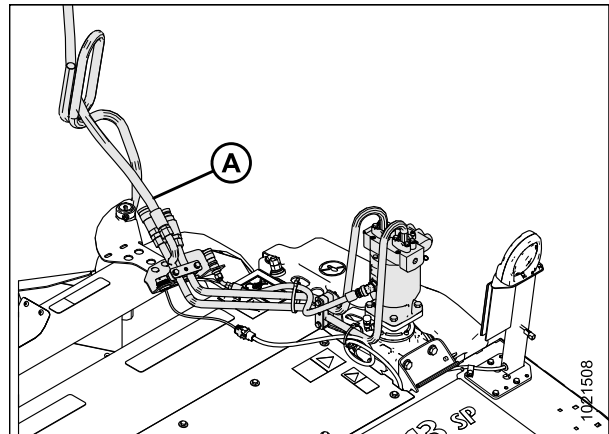


Figure 3.56: Hydraulic Drive Kit (MD #B6272)

OPERATION

1. Disengage and rotate lever (A) counterclockwise to FULLY UP position.
2. Remove the cap (B) securing the electrical connector to the frame.

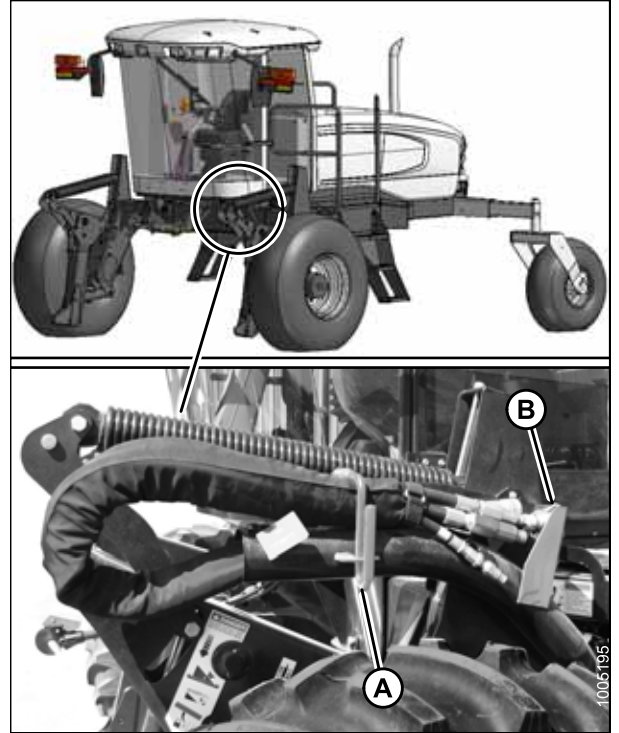


Figure 3.57: Hose Bundle

3. Move hose bundle (A) from the windrower and rest the bundle on the header.

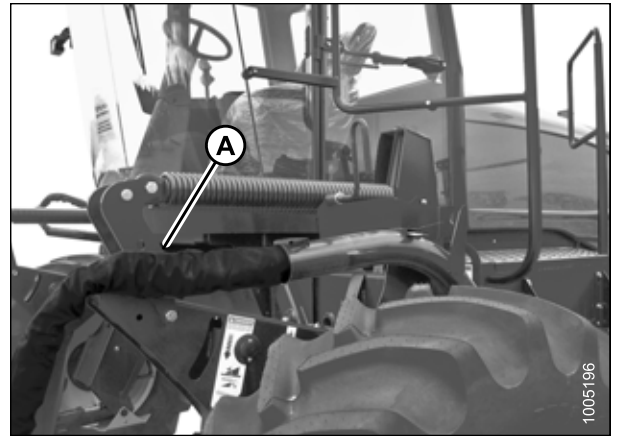


Figure 3.58: Hose Bundle

OPERATION

4. Position the hose support with lower bolt (A) in the forward hole as shown in the illustration at right. Loosen both bolts and adjust as required.

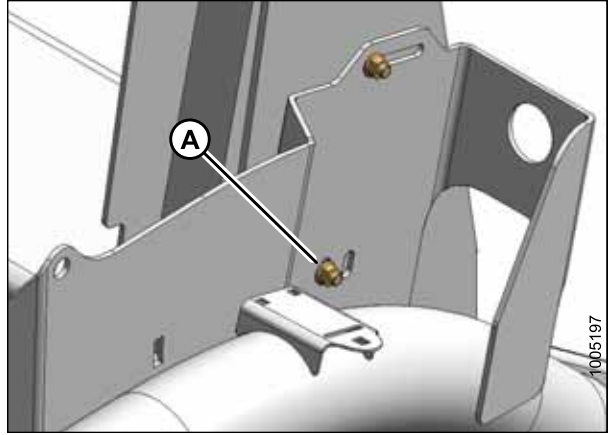


Figure 3.59: Hose Support

5. Install hose support (A) from kit with supplied hardware (B) onto header.

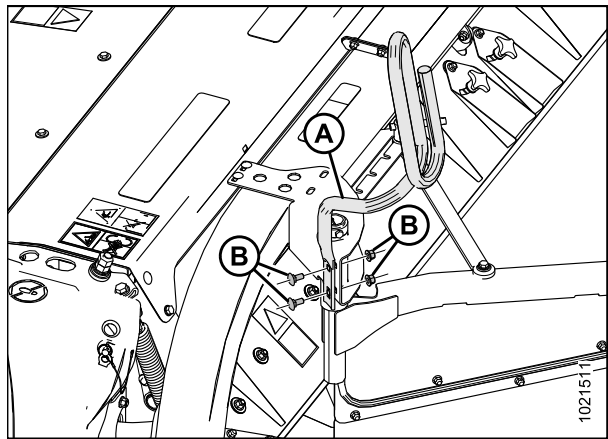


Figure 3.60: Hose Support

OPERATION

6. Move the windrower's left (cab-forward) platform (A) to the OPEN position. Refer to your windrower operator's manual for instructions.

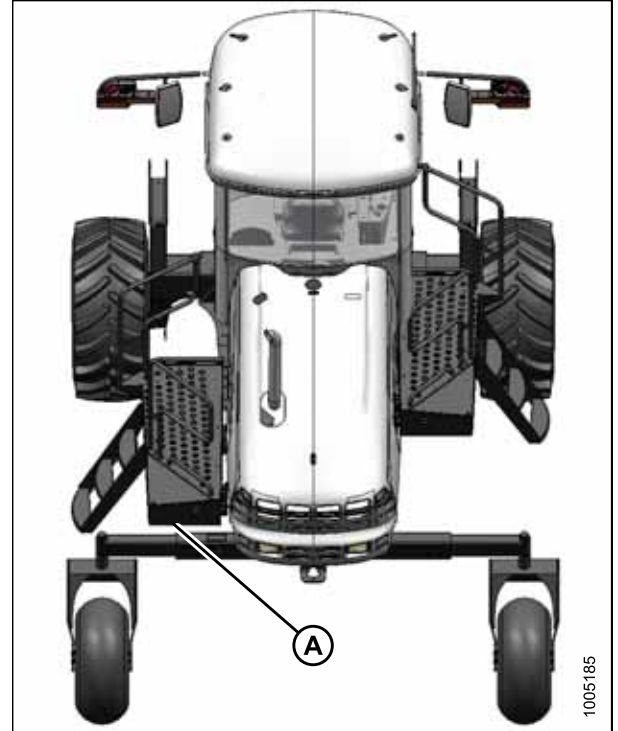


Figure 3.61: Windrower Left Platform in Open Position

7. Route the windrower hose bundle (A) through hose support (B) on the header.

NOTE:

Route hoses as straight as possible and avoid rub/wear points that could damage hydraulic hoses.

8. Route pressure hose (C) from the header through support (B) to the windrower.

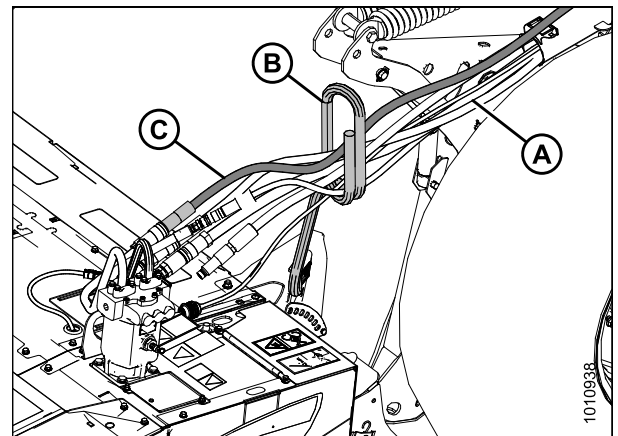


Figure 3.62: Hose Bundle

OPERATION

9. Remove protective plugs (A) from return line fitting (B) and pressure line fitting (C).

IMPORTANT:

Keep open lines and ports clean.

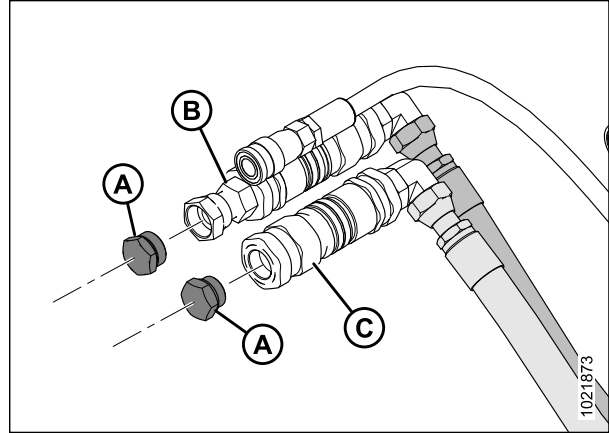


Figure 3.63: Protective Plugs

10. Connect the pressure hose (A) routed from the header to port M2 on the windrower's disc drive manifold (middle block).

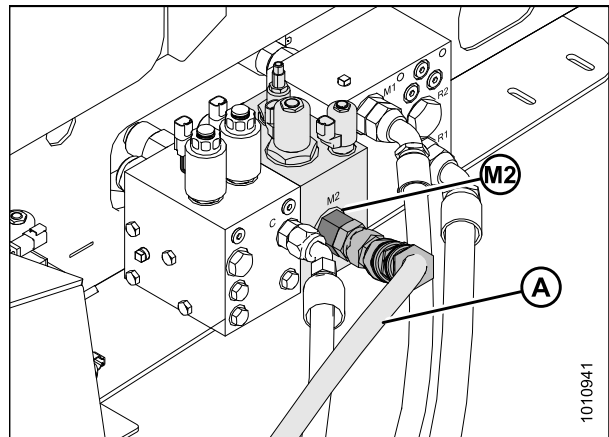


Figure 3.64: Hydraulic Connections

OPERATION

11. Remove caps and plugs from hoses on windrower and lines on header.
12. Connect the return hose (B) from port M1 on the windrower's drive manifold to the steel line attached to port (A) on the header motor.

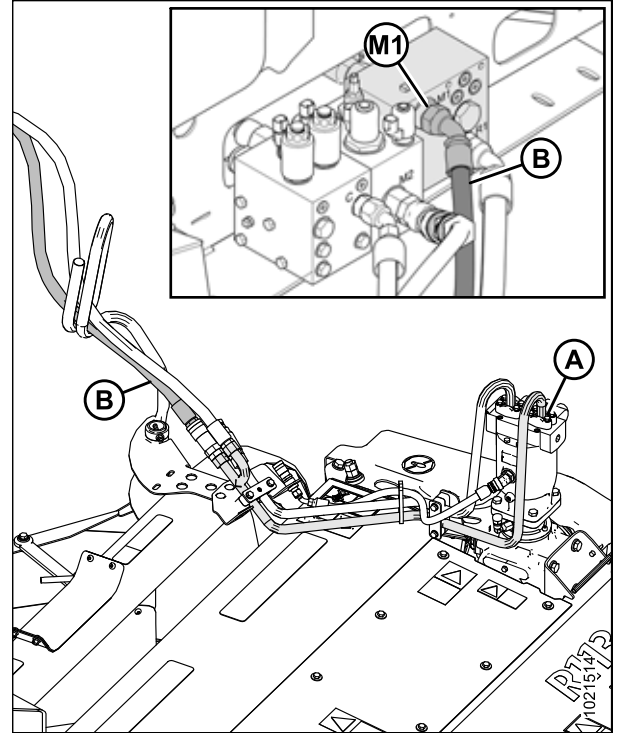


Figure 3.65: Hydraulic Connections

13. Connect the pressure hose (A) from the windrower's drive manifold port R1 to the steel line (B) attached to aft port on the header motor.

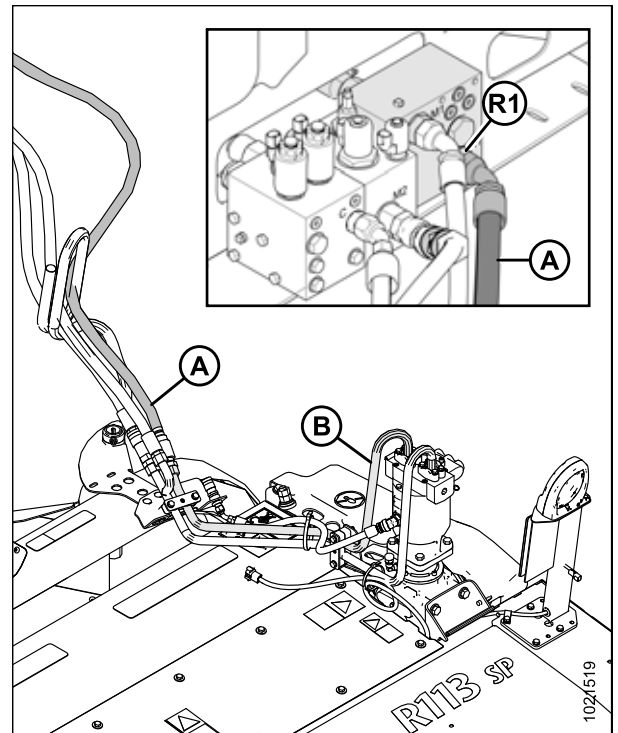


Figure 3.66: Hydraulic Connections

OPERATION

NOTE:

If the windrower is equipped with a reverser manifold (A) for an auger header, route the return hose (B) from port R1 on the windrower's reverser manifold to the steel line (C) attached to aft port on the header motor.

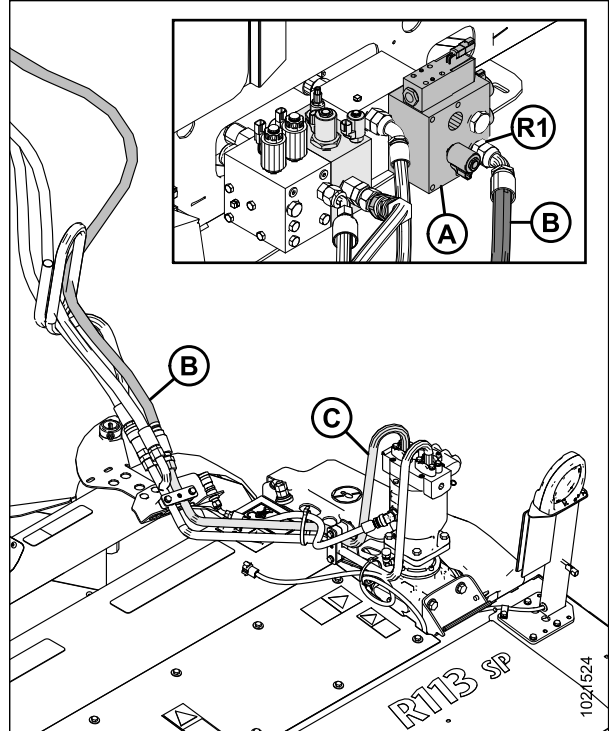


Figure 3.67: Windrower Hose Connections with Reverser

14. Connect the case drain hose (A) from the lift manifold port T3 to the fitting attached to motor port (B).

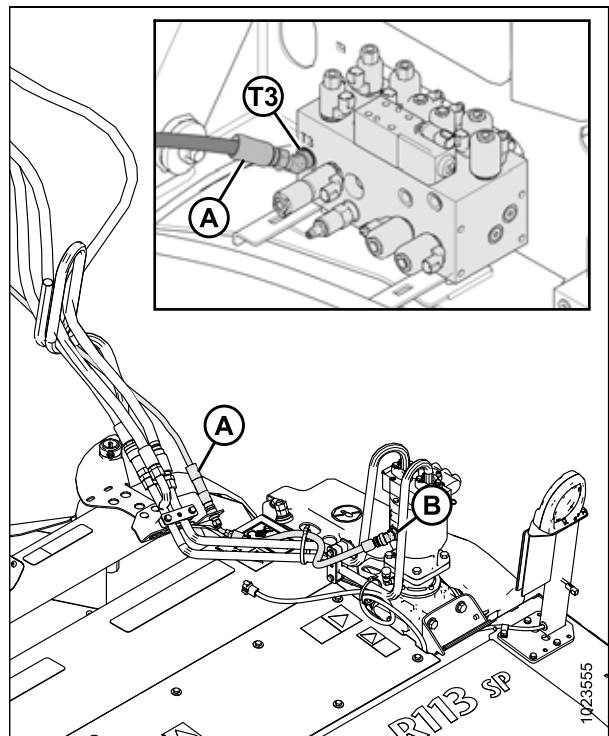


Figure 3.68: Hydraulic Connections

OPERATION

15. Connect the electrical harness (A) from windrower to the electrical connector (B) on the header.

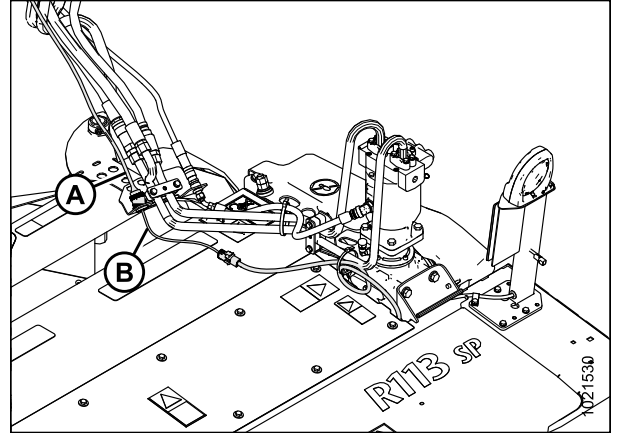


Figure 3.69: Electrical Connection

16. Lower and lock lever (A). Secure hose (B) with three cinch straps (C).

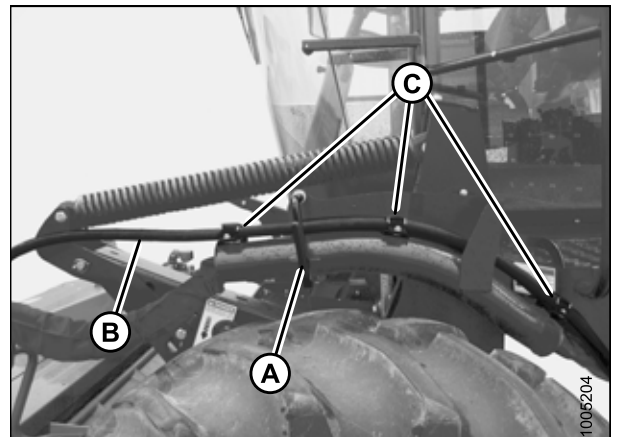


Figure 3.70: Hose Bundle

OPERATION

17. Move platform (A) to the CLOSED position.

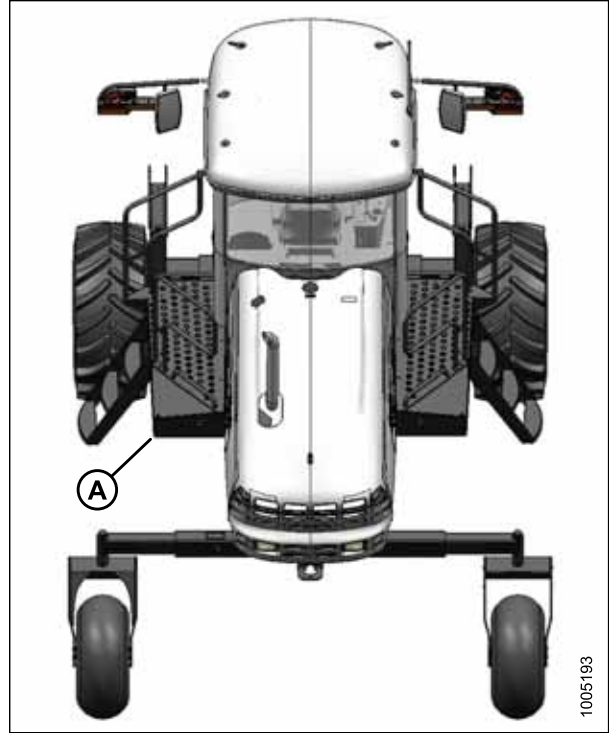


Figure 3.71: Top View of Windrower

3.5 Detaching Header from Windrower

3.5.1 Detaching R1 Series Header: M1170 Windrower

DANGER

To avoid bodily injury or death from unexpected startup of the machine, always stop the engine and remove the key from the ignition before leaving the operator's seat for any reason.

CAUTION

Check to be sure all bystanders have cleared the area.

1. Start the engine, and press switch (A) to raise the header to the maximum height.
2. Stop the engine, and remove the key.
3. Disengage safety props by turning lever (A) away from header to raise safety prop until lever locks into vertical position. Repeat for opposite cylinder.

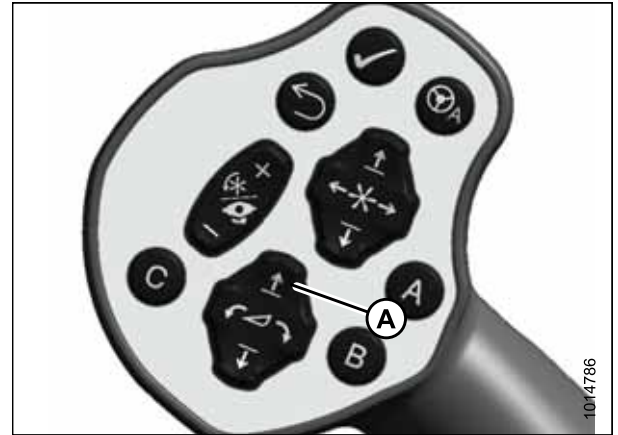


Figure 3.72: GSL

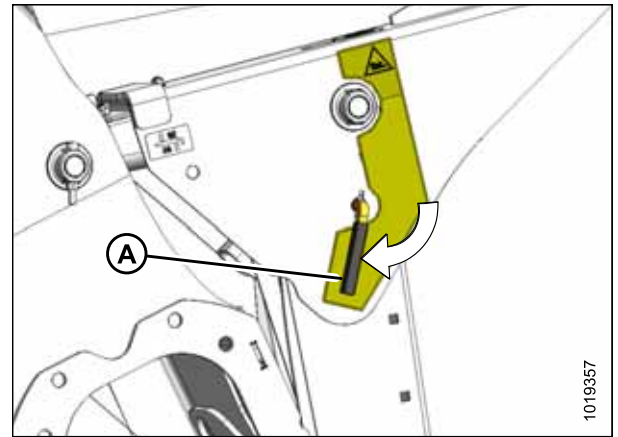


Figure 3.73: Safety Props

4. Open left side platform. For instructions, refer to the windrower operator's manual.

OPERATION

5. Disconnect electrical harness (A) and hydraulic hoses (B), (C), and (D) from the windrower:

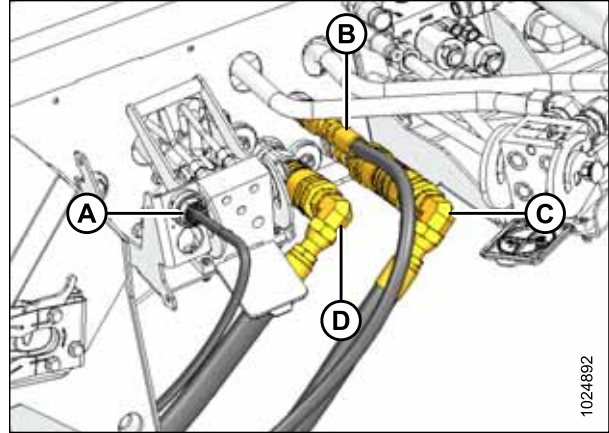


Figure 3.74: Header Drive Hydraulics

6. Remove hose support (A) and hose bundle from windrower frame.

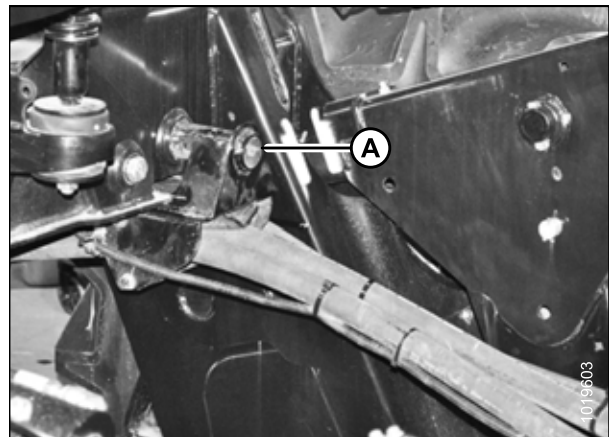


Figure 3.75: Hoses on Windrower

7. Slide support (A) into center-link support (B) and secure with hardware (C).

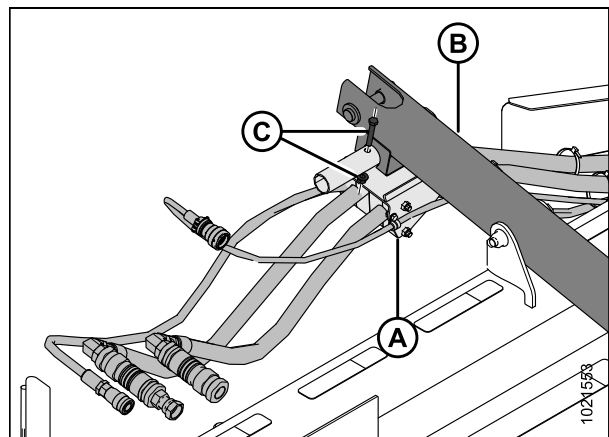


Figure 3.76: Hose Storage Position

OPERATION

8. Store hoses (A) and electrical harness (B) disconnected from the windrower in Step 5, [page 54](#) into storage plate (C).

NOTE:

Install caps and plugs on open lines to prevent buildup of dirt and debris while in storage.

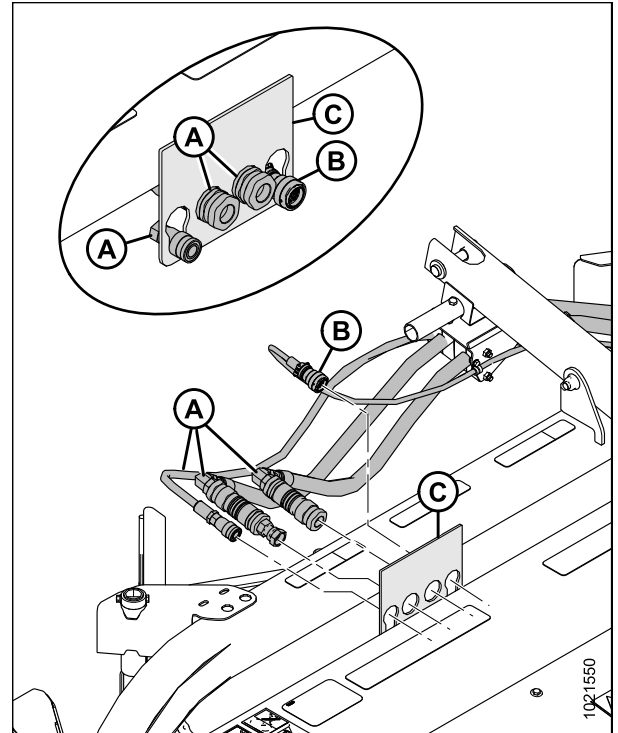


Figure 3.77: Hydraulic Storage Plate (Parts Removed for Clarity)

9. Remove hairpin from clevis pin (A). Remove clevis pin from header support (B) on both sides of header.

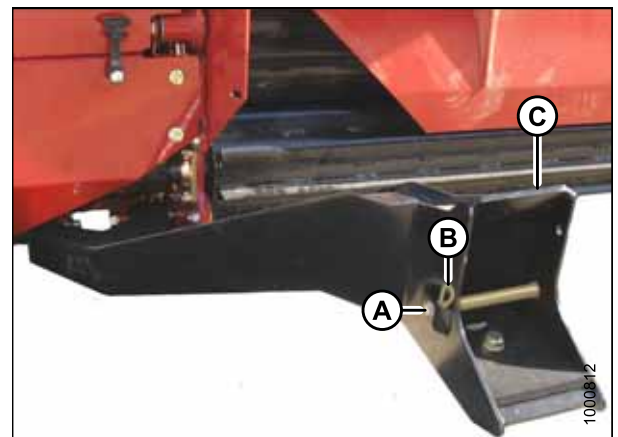


Figure 3.78: Header Supports

OPERATION

Windrowers with center-link self-alignment kit only:

10. Release the center-link latch (A) before returning to the cab.

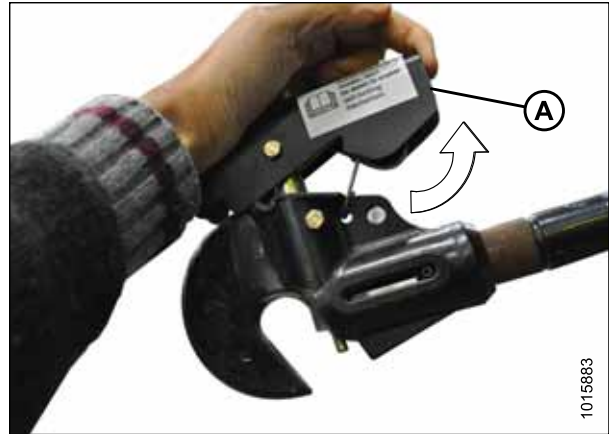


Figure 3.79: Center-Link

11. Disengage safety prop by turning lever (A) downwards until lever locks into the vertical position.
12. Repeat for the opposite side.

CAUTION

Check to be sure all bystanders have cleared the area.

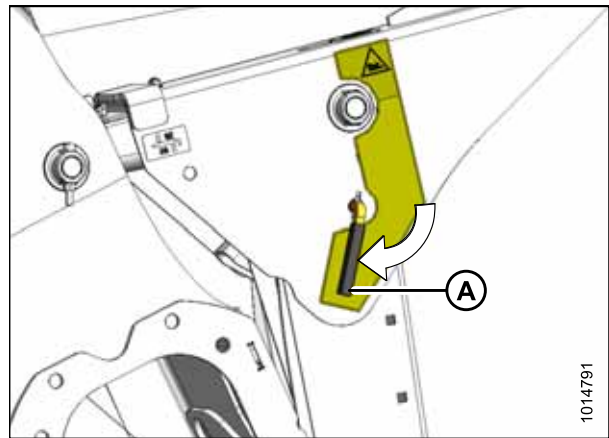


Figure 3.80: Safety Props

13. Start engine and remove header float when prompted by the Harvest Performance Tracker (HPT).

NOTE:

If not prompted by the HPT to remove float, remove float manually.

14. Lower the header to the ground.

OPERATION

Self-aligning center-link:

15. Use HEADER TILT cylinder switches (A) on GSL to release load on center-link cylinder.
16. Operate the link lift cylinder with the REEL UP switch (B) to disengage the center-link from the header.

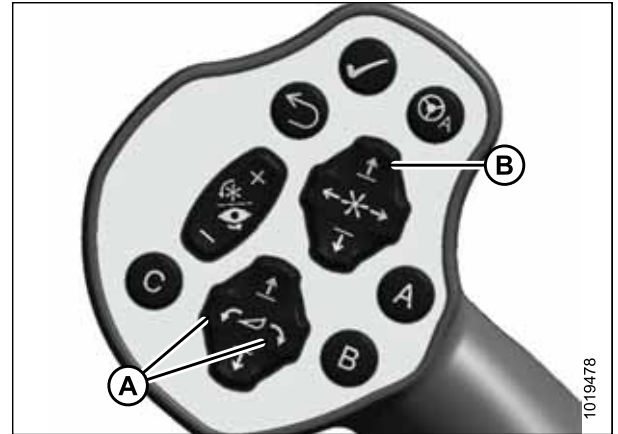


Figure 3.81: GSL

Non-self-aligning center-link:

17. Shut off the engine and remove the key.
18. Lift hook release (A) and lift hook (B) off header pin.

CAUTION

Check to be sure all bystanders have cleared the area.

19. Start the engine.

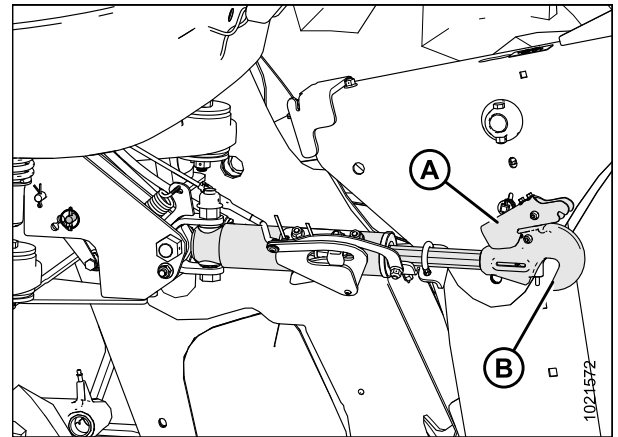


Figure 3.82: Hydraulic Center-Link

20. Back the windrower slowly away from header.
21. Reinstall clevis pin (A) through support (C) and secure with hairpin (B). Repeat for opposite side.

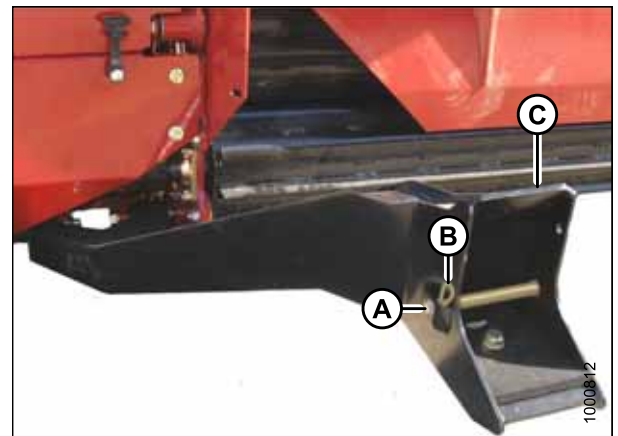


Figure 3.83: Header Support

3.5.2 Detaching R1 Series Header: M155 and M155E4 Windrowers

DANGER

To avoid bodily injury or death from unexpected startup of the machine, always stop the engine and remove the key from the ignition before leaving the operator's seat for any reason.

1. Lower the header to the ground. If the ground is soft, place blocks under the header.
2. Stop the engine and remove the key.
3. Move the left side (cab-forward) platform (A) to the open position.

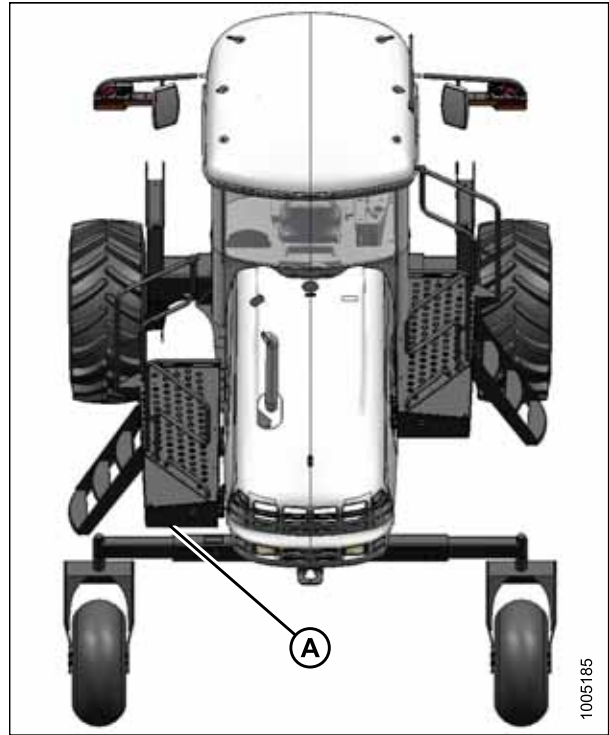


Figure 3.84: Windrower Left Side Platform

4. Disconnect hose (A) from port (M2) on the disc drive valve.

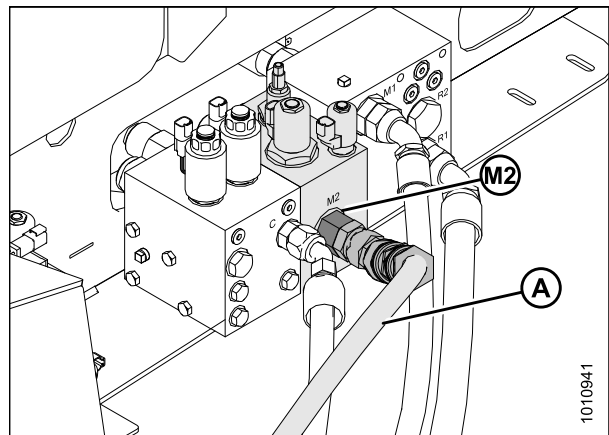


Figure 3.85: Hydraulic Connections

OPERATION

5. Raise lever (A) and undo the three cinch straps (C).
6. Move hose (B) to store on header.

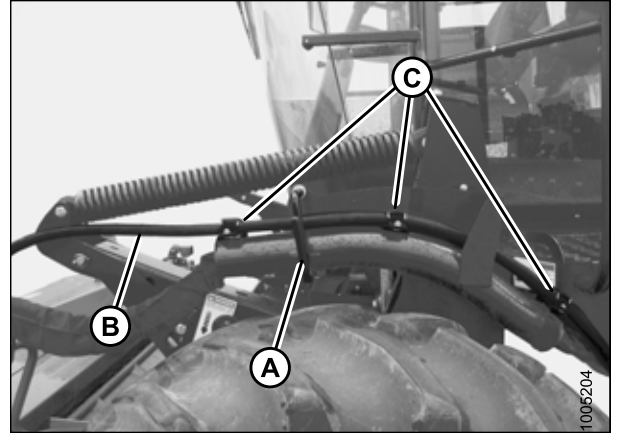


Figure 3.86: Hose Bundle

7. Disconnect the following hoses from the hydraulic motor:
 - Return hose (A)
 - Pressure hose (B)
 - Case drain hose (C)
8. Install caps on the connectors and hose ends (if equipped) to prevent buildup of dirt and debris.

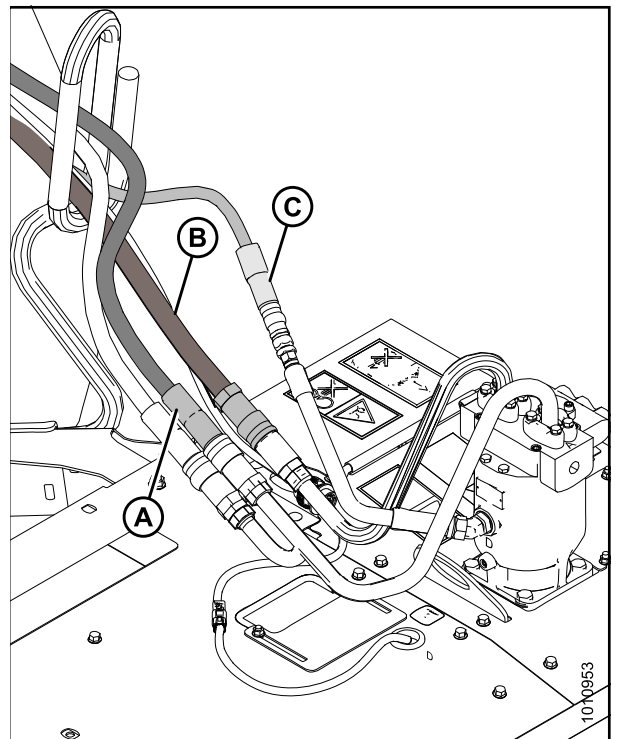


Figure 3.87: Hose Bundle

OPERATION

- Disconnect the electrical connector (A) by turning the collar counterclockwise and pulling connector to disengage.

NOTE:

Hydraulic lines and hoses hidden on illustration to show the electrical connection.

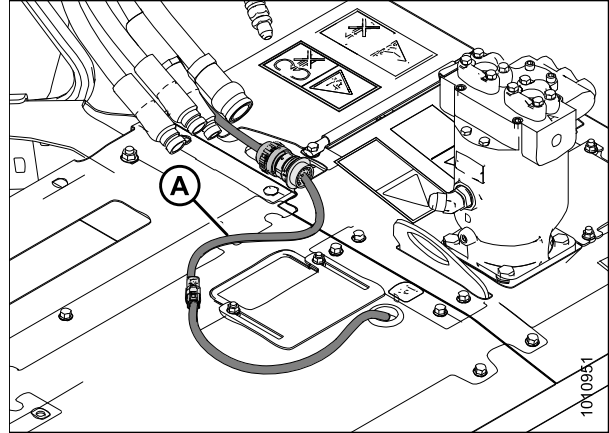


Figure 3.88: Electrical Connection

- Move the hose bundle from header to the left-side (cab-forward) hose support (B).
- Rotate lever (A) clockwise and push to engage bracket.
- Route the electrical harness through the hose support (B) and attach cap to electrical connector (C).

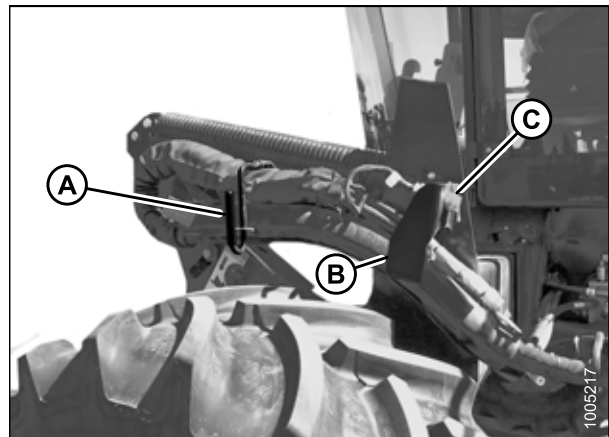


Figure 3.89: Hose Bundle

OPERATION

13. Move the windrower platform (A) to the CLOSED position.
14. Refer to the windrower operator's manual to mechanically detach the header from the windrower.

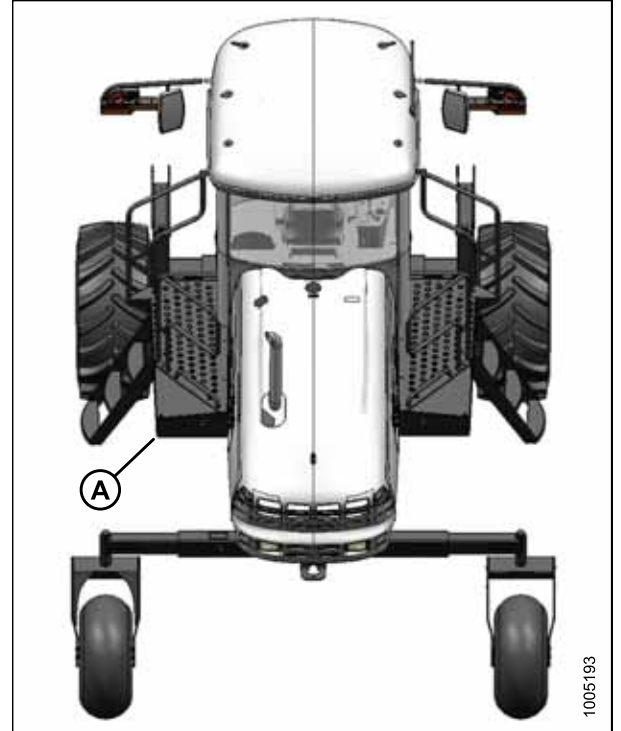


Figure 3.90: M155 Windrower

3.6 Opening/Closing Driveshields

3.6.1 Opening Driveshields

CAUTION

Do NOT operate the machine without the driveshields in place and secured.

NOTE:

Images shown in this procedure are for left driveshield—right driveshield is similar.

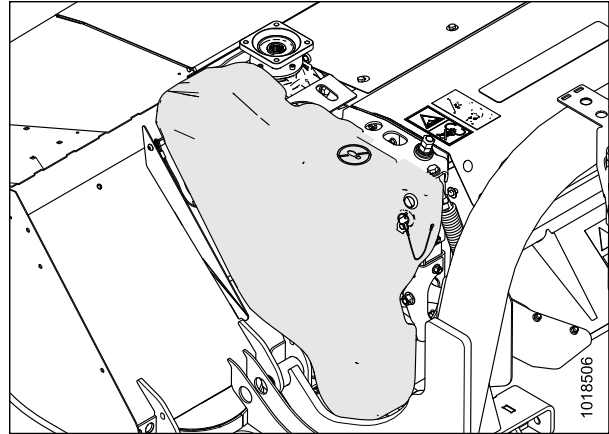


Figure 3.91: Left Driveshield

1. Remove lynch pin (A) and tool (B) from pin (C).

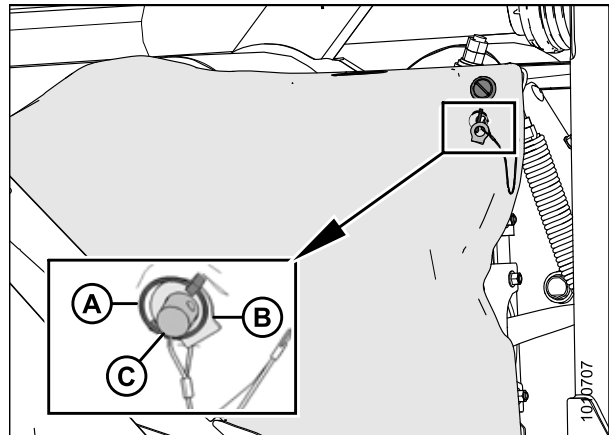


Figure 3.92: Left Driveshield

OPERATION

2. Insert flat end of tool (A) into latch (B) and turn it counterclockwise to unlock.

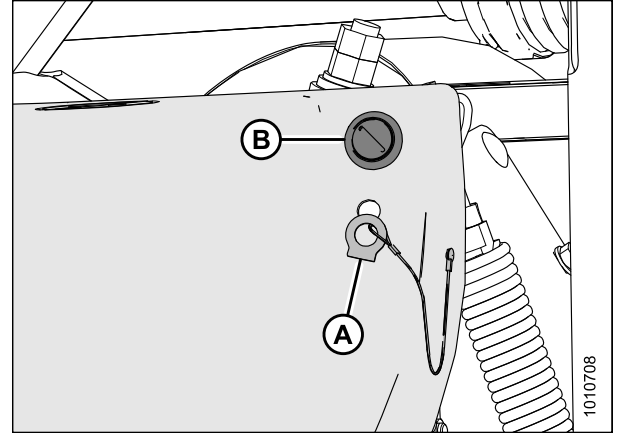


Figure 3.93: Driveshield Latch

3. Pull top of driveshield (A) away from header to open.

NOTE:

For improved access, lift driveshield off the pins at the base of the shield, and lay the shield on the header.

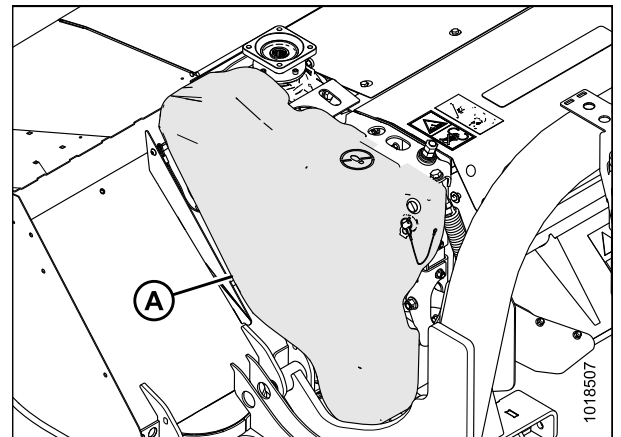


Figure 3.94: Left Driveshield

3.6.2 Closing Driveshields

⚠ CAUTION

Do NOT operate the machine without the driveshields in place and secured.

NOTE:

Images shown in this procedure are for left driveshield—right driveshield is similar.

1. Position driveshield onto pins at base of driveshield (if necessary).
2. Push driveshield (A) to engage latch (B).
3. Check that driveshield is properly secured.

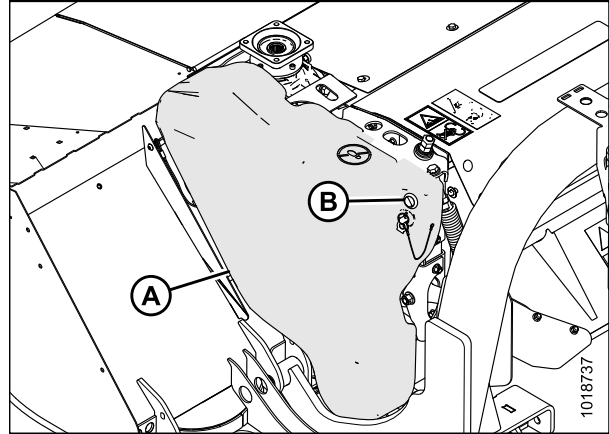


Figure 3.95: Left Driveshield

4. Replace tool (B) and lynch pin (A) on pin (C).

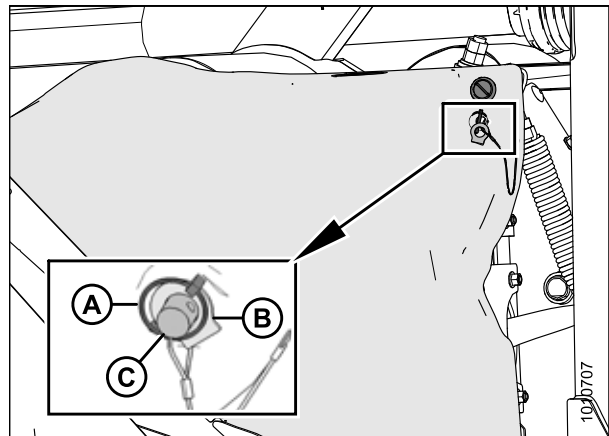


Figure 3.96: Left Driveshield

3.7 Cutterbar Doors

WARNING

Do NOT operate the machine without all the cutterbar doors down or without curtains installed and in good condition.

Two doors (A) with rubber curtains provide access to the cutterbar area.

Curtains (B) and (C) are attached to each front corner and at the center respectively. Always keep curtains lowered when operating the disc header.

Rotary disc headers sold outside of North America have latches on the cutterbar door.

IMPORTANT:

Replace curtains if they become worn or damaged. Refer to [4.9 Replacing Curtains, page 155](#).

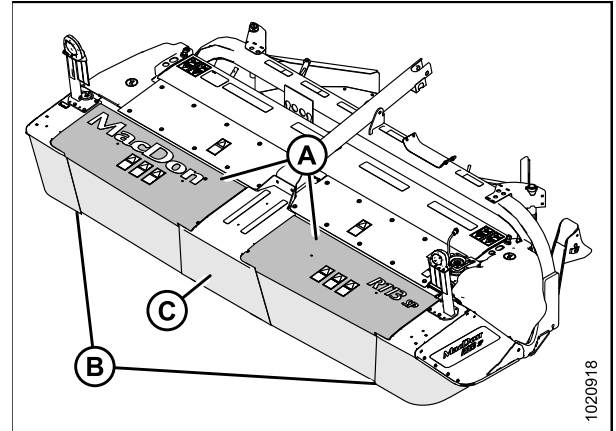


Figure 3.97: Cutterbar Doors and Curtains

3.7.1 Opening Cutterbar Doors

To open cutterbar doors on a disc header with export latches, refer to [3.7.2 Opening Cutterbar Doors: Export Latches, page 66](#).

DANGER

To avoid bodily injury or death from unexpected startup of machine, always stop engine and remove key from ignition before leaving operator's seat for any reason.

1. Lift door (A) at front to open.

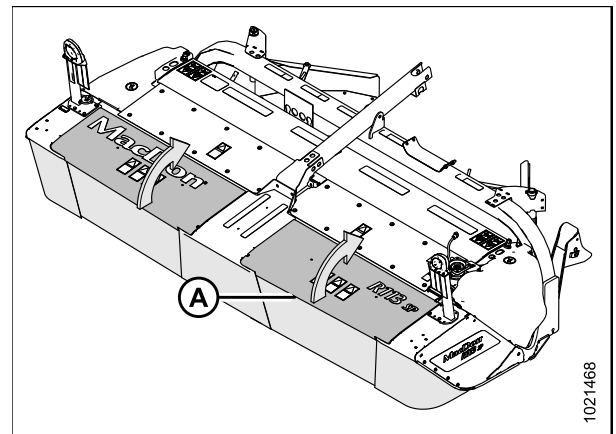


Figure 3.98: Cutterbar Doors and Curtains

3.7.2 Opening Cutterbar Doors: Export Latches

Headers sold outside North America require a tool-operated latch on the cutterbar doors. Follow these steps to open cutterbar doors with export latches:

DANGER

To avoid bodily injury or death from unexpected startup of machine, always stop engine and remove key from ignition before leaving operator's seat for any reason.

1. Locate the latch access holes (A) for each door.

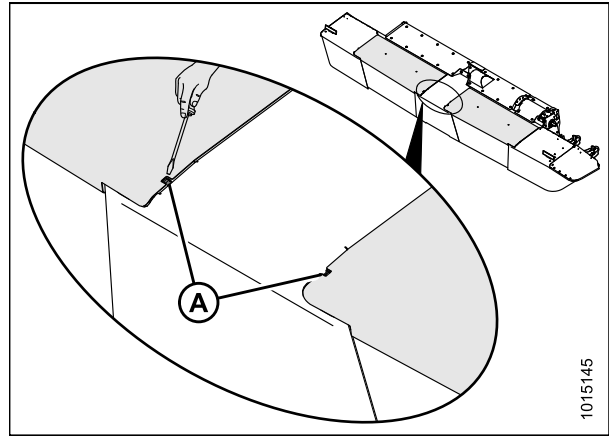


Figure 3.99: Cutterbar Door Latch Access Hole (Export Only)

2. Use a rod or screwdriver to press down on the latch (A) and release the cutterbar door.

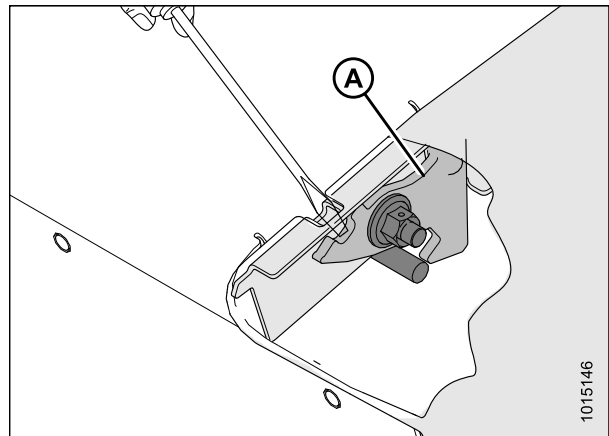


Figure 3.100: Cutterbar Door Latch (Cutaway View)

OPERATION

3. Lift up on door (A) while pressing down on latch.

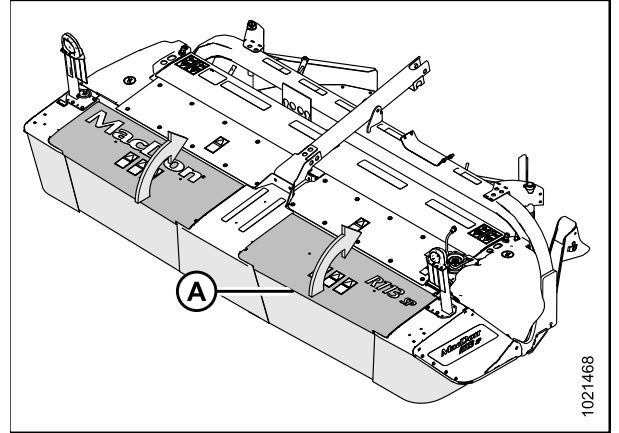


Figure 3.101: Left Cutterbar Door Open

OPERATION

3.7.3 Closing Cutterbar Doors

CAUTION

To avoid injury, keep hands and fingers away from corners of doors when closing.

1. Pull door (A) at top to close.
2. Ensure that curtains hang properly and completely enclose cutterbar area.

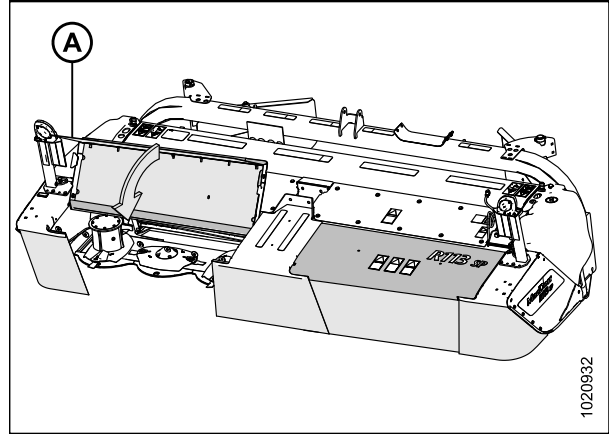


Figure 3.102: R113 SP Header

3.8 Header Settings

Satisfactory operation of the disc header in all situations requires making proper adjustments to suit various crops and conditions.

Correct operation reduces crop loss and increases productivity. Proper adjustments and timely maintenance increases the length of service of the machine.

The variables listed in the following table and detailed in this manual, affect the performance of the discheader. Most of the adjustments have been set at the factory, but settings can be changed to suit your crop conditions.

Table 3.1 Header Operating Variables

Variable	Refer to
Float	3.8.3 Header Float, page 71
Header angle	3.8.2 Header Angle, page 70
Cutting height	3.8.1 Cutting Height, page 69
Ground speed	3.8.4 Ground Speed, page 71
Conditioner Settings	3.10 Conditioner, page 75
Crop Stream Configuration	3.9 Reconfiguring Cutterbar Crop Stream, page 73
Cutterbar Deflectors	3.11 Cutterbar Deflectors, page 85

3.8.1 Cutting Height

Cutting height is determined by a combination of the the header angle and skid shoe settings. Adjust cutting height for optimum cutting performance while preventing excessive build-up of mud and soil inside the disc header which can lead to poor crop flow and increased wear on cutting components.

Lowering the skid shoes and decreasing the header angle increases the cutting height, resulting in higher stubble that helps material dry faster. This may be desirable in stony conditions to help reduce damage to cutting components.

Raising the skid shoes and increasing the header angle decreases the cutting height, resulting in a shorter stubble. Refer to [Adjusting Cutting Height, page 69](#).

To choose a header angle that maximizes performance for your crop and field conditions, refer to [3.8.2 Header Angle, page 70](#).

To minimize cutterbar damage, scooping soil, and soil build-up at the cutterbar in damp conditions, the disc header float should be set as light as possible without causing excessive bouncing. Refer to [3.8.3 Header Float, page 71](#)..

Adjusting Cutting Height

DANGER

To avoid bodily injury or death from unexpected start-up or fall of a raised machine, stop engine, remove key, and engage windrower lift cylinder safety props before going under machine for any reason.

OPERATION

1. Raise disc header fully, stop engine, and remove key.
2. Loosen bolts (C).
3. Remove bolts, nuts, and washers (D).
4. Raise or lower skid shoe.

NOTE:

Skid shoes have two adjustment settings: fully raised (A) and fully lowered (B).

5. Install bolts, nuts, and washers (D), and then tighten.
6. Tighten bolts (C).
7. Check disc header float. Refer to windrower operator's manual.
8. Adjust cutterbar angle to desired working position using the disc header angle controls. If angle is not critical, set it to mid-position. Refer to [3.8.2 Header Angle, page 70](#).

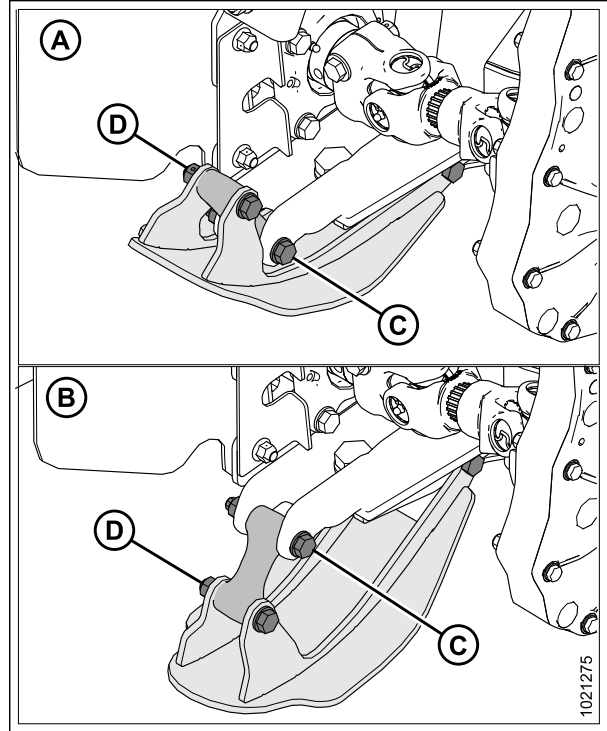


Figure 3.103: Skid Shoes

3.8.2 Header Angle

The header angle (A) adjustment ranges from 0 to 8 degrees below horizontal. Choose an angle that maximizes performance for your crop and field conditions. A flatter angle provides better clearance in stony conditions, while a steeper angle is required in downed crops for better lifting action. Check the float after significantly adjusting the header angle because the adjustments affect the header float due to shifting the header center of gravity. Refer to your windrower operator's manual for instructions.

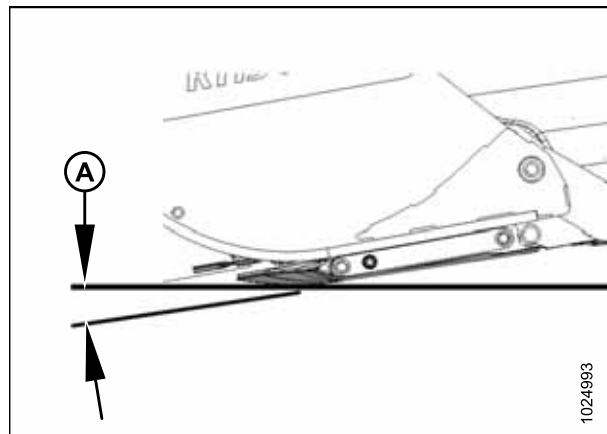


Figure 3.104: Header/Cutterbar Angle

3.8.3 Header Float

The M1170, M155 and M155E4 windrowers have different float adjustments. Although they both have float springs, the M1170 is completely adjustable from the cab through the Harvest Performance Tracker (HPT), the M155 and M155E4 have coarse adjustment done at the spring drawbolt and fine adjustment done through the Cab Display Module (CDM) in the windrower cab.

The header float feature allows the header to closely follow ground contours and respond quickly to sudden changes or obstacles. The float setting is ideal when the cutterbar is on the ground with minimal bouncing, scooping, or pushing soil.

IMPORTANT:

- Set header float as light as possible—without excessive bouncing—to avoid frequent breakage of knife components, scooping soil, or soil build-up at the cutterbar in wet conditions.
- Avoid excessive bouncing (resulting in a ragged cut) by operating at a slower ground speed when the float setting is light.
- Install applicable header options (crop dividers, etc.) before setting header float.
- Adjust the float when adding or removing optional attachments that affect the weight of the header.
- Changing header angle affects the float. Check the float after making appropriate changes to header angle for crop type and conditions, field conditions, and speed settings.

For instructions for setting and adjusting the header float, refer to your windrower operator's manual.

3.8.4 Ground Speed

Choose a ground speed that allows the cutterbar to cut the crop smoothly and evenly. Try different combinations of disc mower speed and ground speed to suit your specific crop. Refer to your windrower operator's manual for instructions on changing ground speed.

 **CAUTION**

Reduce speed when turning, crossing slopes, or traveling over rough ground.

In tough cutting conditions (such as native grasses), set the disc speed to MAXIMUM.

In light crops, reduce the disc mower's disc speed while maintaining ground speed.

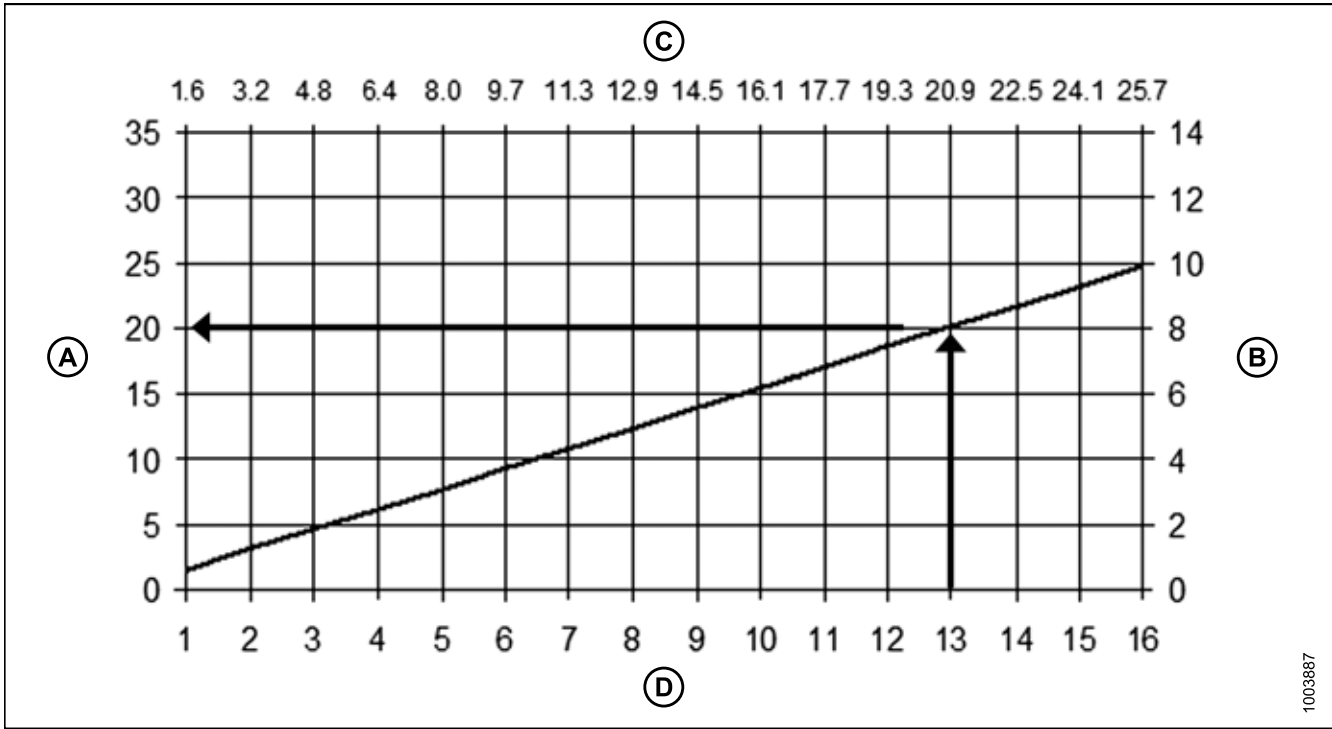
NOTE:

Operating the disc mower at the minimum disc speed will extend the wear life of cutting components.

The example shown in Figure 3.105, page 72 illustrates the relationship between ground speed and cut area for a 4.0 m (13 ft.) disc mower. The chart demonstrates that a ground speed of 21 km/h (13 mph) would produce a cut area of approximately 8 hectares (20 acres) per hour.

OPERATION

Figure 3.105: Ground Speed for 4.0 m (13 ft.) Header



1003887

A - Acres/Hour

B - Hectares/Hour

C - Kilometers/Hour

D - Miles/Hour

3.9 Reconfiguring Cutterbar Crop Stream

Discs are factory-installed to produce three crop streams, but disc rotation pattern can be changed by substitution of spindle and corresponding disc to suit crop conditions. Each spindle and disc pair is designed to rotate in one direction and must be changed as sets when altering crop flows.

Reducing or increasing the number of crop streams will produce the following results:

- Reducing the number of crop streams will result in narrower windrows.
- Increasing the number of crop streams will result in smoother, wider windrows.

NOTE:

Increasing the number of crop streams will also increase the number of diverging disc pairs which may negatively affect cut quality in certain conditions.

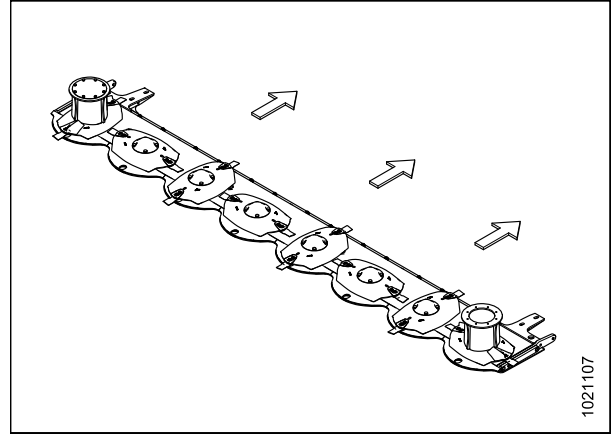


Figure 3.106: R113 Cutterbar

IMPORTANT:

- Spindles that rotate clockwise have right-leading threading and a smooth top on the spindle gear shaft (A).
- Spindles that rotate counterclockwise have left-leading threading and machined grooves on the spindle gear shaft (B) and nut (C).
- If spindle position in cutterbar has changed, the rotational direction of that spindle **MUST** remain the same (that is, a clockwise spindle must maintain its clockwise rotation).
- Failure to maintain rotation pattern can result in damage to spindle and/or cutterbar components.

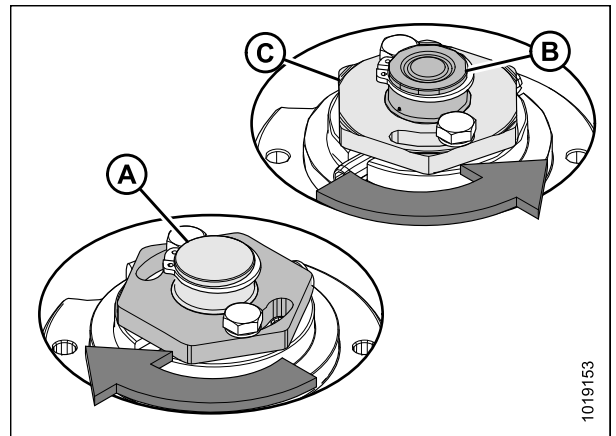
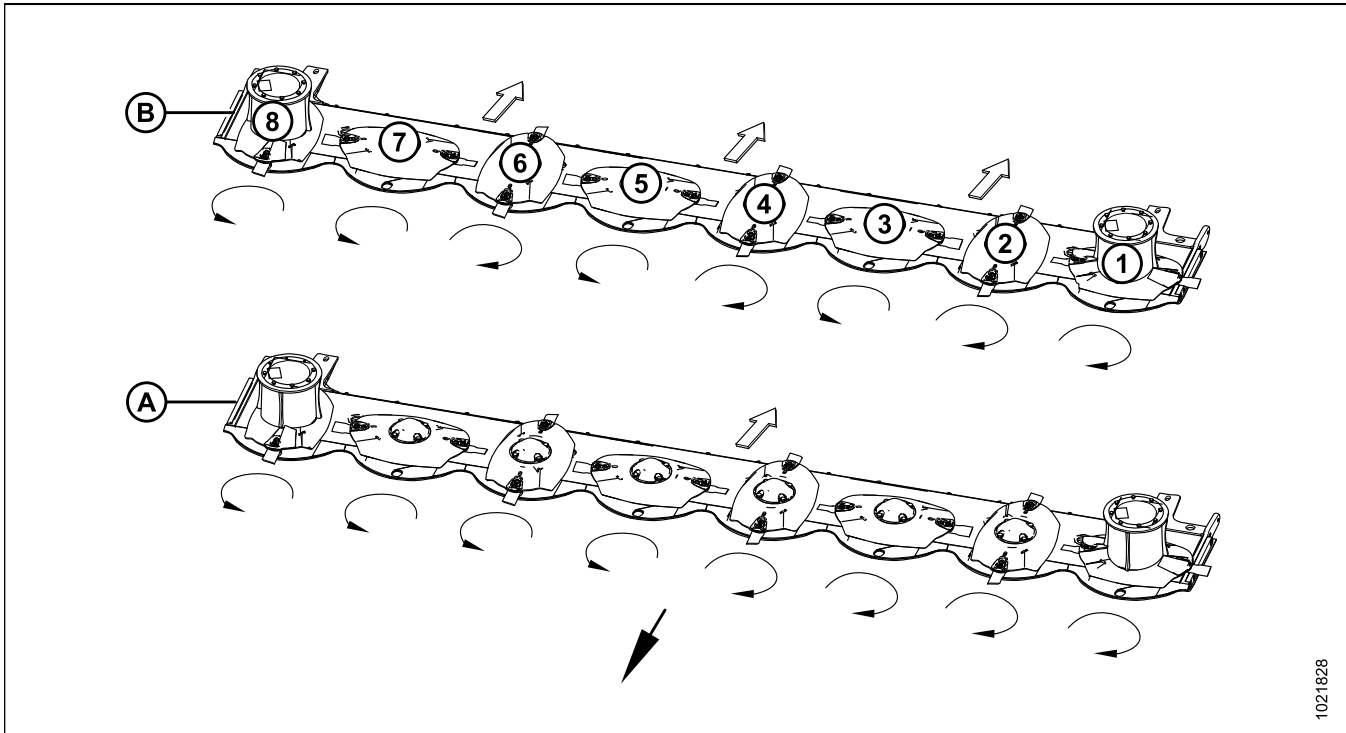


Figure 3.107: Cutterbar Spindles

OPERATION

3.9.1 Changing R113 Cutterbar Crop Stream Configuration

Figure 3.108: R113 (8 Disc) Spindle Rotation Pattern and Crop Streams



A - One Crop Stream

B - Three Crop Streams

NOTE:

Refer to [Removing Cutterbar Spindles, page 110](#) and [Installing Cutterbar Spindles, page 114](#).

To change R113 (8 disc) spindle rotation from three crop streams (B) to one crop stream (A):

- Swap disc/spindle (3) with disc/spindle (6)

To change R113 (8 disc) spindle rotation from one crop stream (A) to three crop streams (B):

- Swap disc/spindle (6) with disc/spindle (3)

1021828

3.10 Conditioner

Rolls condition the crop by crimping and crushing the stem in several places, which allows the release of moisture resulting in faster drying times. Both steel and polyurethane conditioner rolls are available. Refer to [5 Optional Kits, page 185](#) for ordering information.

3.10.1 Roll Gap

The roll gap controls the degree to which crop is conditioned as it passes through the rolls. Roll gap is factory-set at approximately 3 mm (1/8 in.) for polyurethane rolls, and 6 mm (1/4 in.) for steel rolls.

Polyurethane rolls are better suited for crushing stems while providing reduced crimping and are recommended for alfalfa, clover, legumes, and similar crops. Correct conditioning of crops is achieved when 90% of the stems show cracking, but no more than 5% of the leaves are damaged. Set roll gap to produce these results.

Steel rolls with a larger gap (up to 25 mm [1 in.]) may be desirable for thick stemmed cane-type crops; however, too large a gap may cause feeding problems.

Grass type crops may require less gap for proper feeding and conditioning.

IMPORTANT:

If using settings below the factory setting, visually inspect the roll gap.

Checking Roll Gap



DANGER

To avoid bodily injury or death from unexpected startup of machine, always stop engine and remove key from ignition before leaving operator's seat for any reason.

1. Lower the disc header fully.
2. Stop engine, and remove key from ignition.

OPERATION

3. **Polyurethane Roll:** Insert a feeler gauge through the inspection hole in the conditioner endsheet to check roll gap on polyurethane roll conditioners. Factory setting is 3 mm (1/8 in.). If adjustments are required, refer to *Adjusting Roll Gap: Polyurethane Rolls, page 76*.

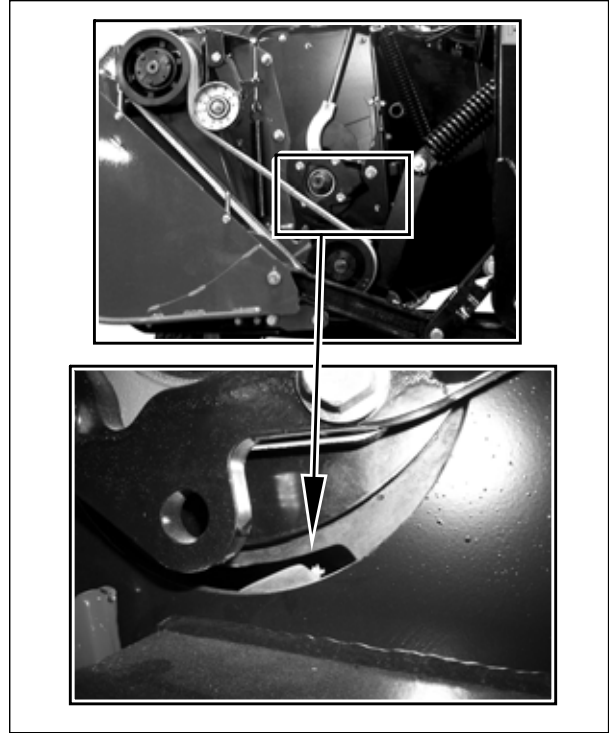


Figure 3.109: Polyurethane Roll Conditioner

4. **Steel Roll:** The length of thread (A) extending above the jam nut on the adjustment rods can be used as an approximation of roll gap but does **NOT** provide consistent roll gap measurements. Roll gap factory setting is 6 mm (1/4 in.). Refer to *Adjusting Roll Gap: Steel Rolls, page 77*.

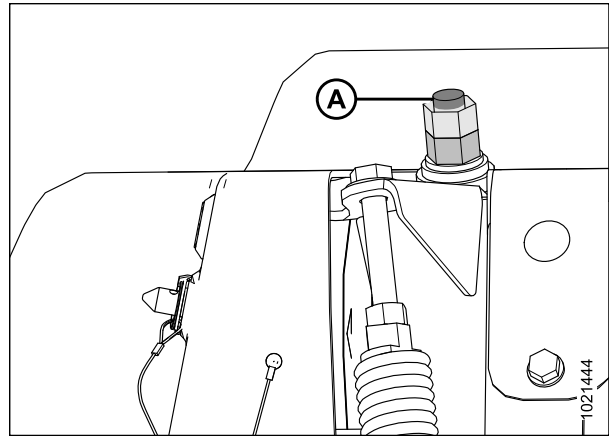


Figure 3.110: Roll Gap Adjustment

Adjusting Roll Gap: Polyurethane Rolls

Because polyurethane rolls operate at smaller gaps and the conditioning is less aggressive, the roll gap setting is more sensitive than on steel rolls. To return roll gap to the factory setting, follow the procedure below:

DANGER

To avoid bodily injury or death from unexpected startup of the machine, always stop the engine and remove the key from the ignition before leaving the operator's seat for any reason.

1. Lower the disc header to the ground.
2. Stop the engine, and remove the key from the ignition.

OPERATION

- Loosen upper jam nut (A) on both sides of conditioner.
- Turn lower nut (B) counterclockwise until upper roll rests on lower roll.
- Turn lower nut (B) one full turn clockwise to raise the upper roll and achieve a 3 mm (1/8 in.) roll gap.
- Hold nut (B) and tighten jam nut (A) on both sides of the header.

IMPORTANT:

Make sure roll gap adjustment nuts are adjusted equally on both sides of the header to achieve a consistent gap across the rolls.

- Rotate the rolls manually and use a feeler gauge at the ends of the rolls to check that the actual gap is no less than 2 mm (5/64 in.) and no more than 4 mm (5/32 in.).

Adjusting Roll Gap: Steel Rolls

The length of thread extending above the jam nut on the adjustment rods can be used as an approximation of roll gap but does **NOT** provide consistent roll gap measurements. To ensure roll gap is at the factory setting, follow the procedure below:

DANGER

To avoid bodily injury or death from unexpected startup of the machine, always stop the engine and remove the key from the ignition before leaving the operator's seat for any reason.

- Lower the disc header to the ground.
- Stop the engine, and remove the key from the ignition.
- Loosen jam nut (A) on both sides of conditioner.
- Turn lower nut (B) counterclockwise until upper roll rests on lower roll. Ensure rolls intermesh.
- Turn lower nut (B) two and a half full turns clockwise to raise upper roll and achieve a 6 mm (1/4 in.) roll gap.
- Hold nut (B) and tighten jam nut (A) on both sides of the header.

IMPORTANT:

Make sure roll gap adjustment nuts are adjusted equally on both sides of the header to achieve a consistent gap across the rolls.

- If further adjustment to roll gap is required:
 - Turn lower nut (B) clockwise to increase roll gap.

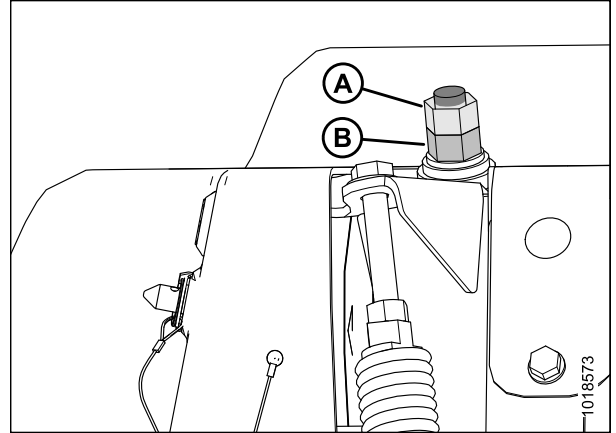


Figure 3.111: Roll Gap Adjustment

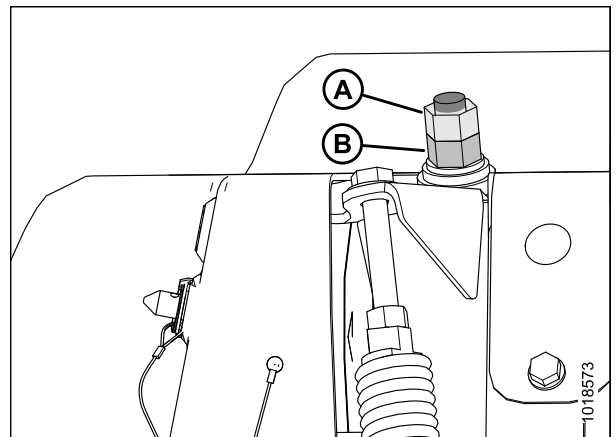


Figure 3.112: Roll Gap Adjustment

OPERATION

- Turn lower nut (B) counterclockwise to decrease roll gap.

NOTE:

Make further adjustments to roll gap based on header performance and crop conditions.

3.10.2 Roll Tension

Roll tension (the pressure holding the rolls together) is factory-set to maximum and is adjustable.

Heavy crops or tough forage can cause the rolls to separate; therefore, maximum roll tension is required to ensure that materials are sufficiently crimped.

To prevent over-conditioning of light alfalfa and short grasses, apply less roll tension.

Adjusting Roll Tension

To adjust roll tension, follow these steps:

DANGER

To avoid bodily injury or death from unexpected startup of the machine, always stop the engine and remove the key from the ignition before leaving the operator's seat for any reason.

1. Lower the disc header to the ground.
2. Stop the engine, and remove the key from the ignition.
3. Loosen jam nut (A) on both sides of conditioner.
4. Turn the spring drawbolt (B) clockwise to tighten spring (C) and **INCREASE** roll tension.
5. Turn the spring drawbolt (B) counterclockwise to loosen spring (C) and **DECREASE** roll tension.
6. Measure the amount of exposed thread on spring drawbolt (B) at each end of the conditioner. Measurement (D) should be 12–15 mm (1/2–9/16 in.) for both polyurethane and steel roll conditioners.

IMPORTANT:

Turn each bolt equally. Each turn of the bolt changes the roll tension by approximately 32 N (7.2 lbf).

7. Tighten jam nuts (A) on each end of the conditioner.

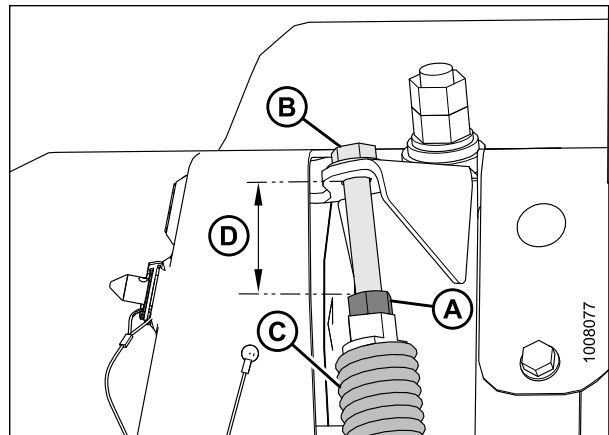


Figure 3.113: Left Side Shown – Right Side Opposite

3.10.3 Roll Timing

For proper conditioning, the rolls must be properly timed with the bar on one roll centered between two bars on the other roll. The factory setting should be suitable for most crop conditions.

IMPORTANT:

Roll timing is critical when the roll gap is decreased because conditioning is affected and the bars may contact each other.

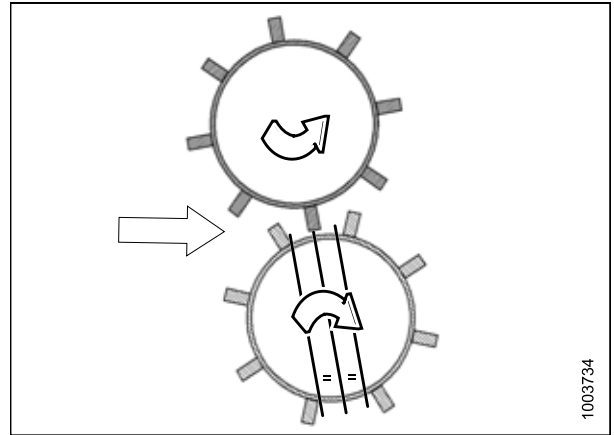


Figure 3.114: Properly Timed Rolls

Checking Roll Timing

Check roll timing if excessive noise is coming from the conditioner rolls.

⚠ DANGER

To avoid bodily injury or death from unexpected startup of the machine, always stop the engine and remove the key from the ignition before leaving the operator's seat for any reason.

Roll timing is factory-set and should not require adjustment; however, if there is excessive noise coming from the conditioner rolls, the timing will need to be adjusted. Refer to [Adjusting Roll Timing, page 79](#).

Adjusting Roll Timing

1. Shut down the engine and remove the key.
2. Loosen four bolts (A) in slots of yoke plate (B) on upper roll universal shaft.

NOTE:

Only three of the four bolts are shown in the illustration.

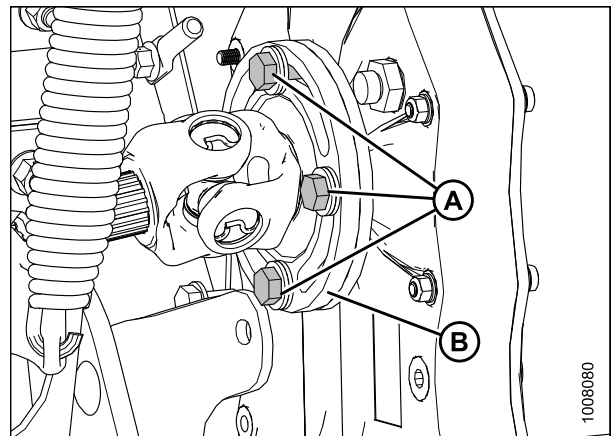


Figure 3.115: Conditioner Drive

OPERATION

3. Secure bottom roll (A).
4. Manually rotate upper roll (B) in a counterclockwise direction until it stops.
5. Make a mark (C) across yoke (D) and gearbox flange (E).

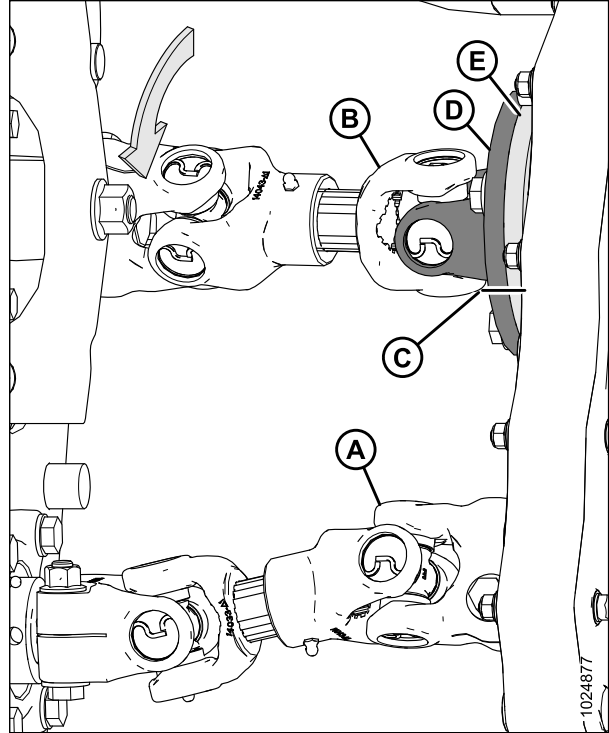


Figure 3.116: Conditioner Drive

6. Manually rotate upper roll (A) in a clockwise direction until it stops. Make a second mark (B) on the yoke flange, and align it with the mark on the gearbox flange.

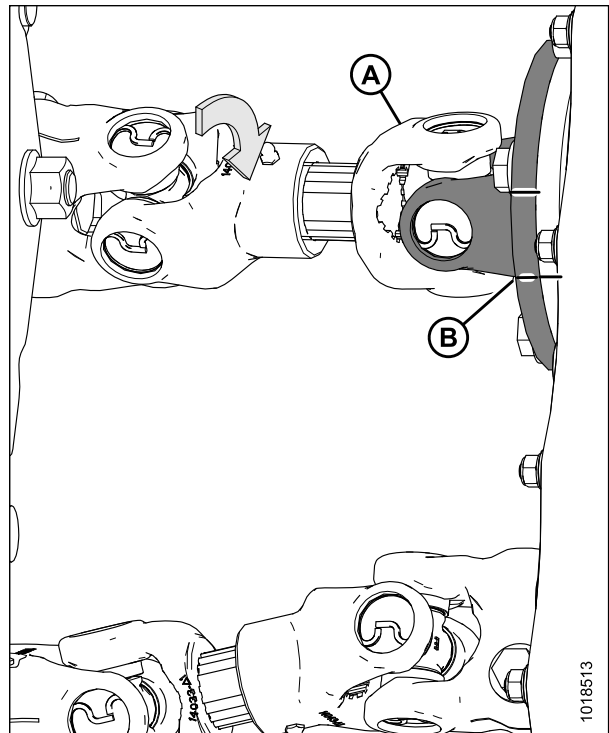


Figure 3.117: Conditioner Drive

OPERATION

7. Determine the center point (A) between the two marks on the yoke plate, and place a third mark.
8. Rotate upper roll (B) in the counterclockwise direction until the bolt lines up with the third (center) mark.

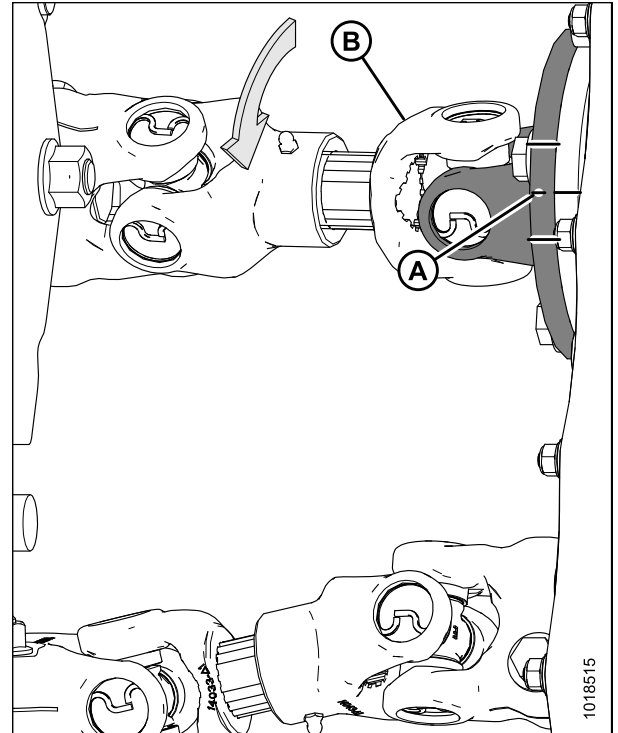


Figure 3.118: Conditioner Drive

9. Ensure threads on four bolts (A) are clean and free of lubricant (fourth bolt not shown in illustration at right).
10. Apply medium-strength threadlocker (Loctite® 242 or equivalent), and tighten bolts (A). Torque to 95 Nm (70 lbf·ft).

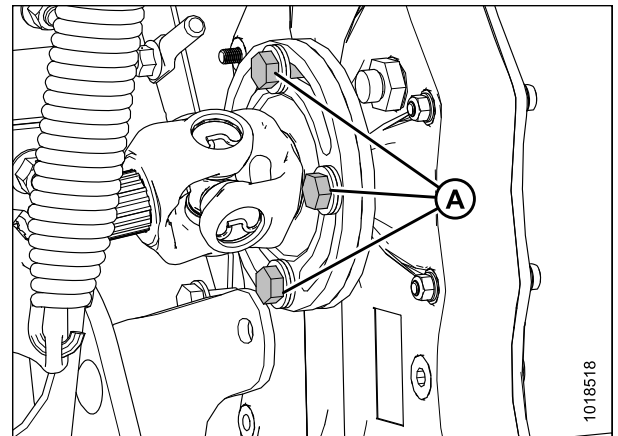


Figure 3.119: Conditioner Drive

3.10.4 Adjusting Forming Shields: Roll Conditioner

⚠ WARNING

Keep everyone several hundred feet away from your operation. Ensure bystanders are never in line with the front or rear of the machine. Stones or other foreign objects can be ejected from either end with force.

The position of the forming shields controls the width and placement of the windrow. Consider the following factors when setting the forming shield position:

- Weather conditions (rain, sun, humidity, wind)
- Type and yield of crop
- Available drying time
- Method of processing (bales, silage, green-feed)

A wider windrow will generally dry faster and more evenly, resulting in less protein loss. Fast drying is especially important in areas where the weather allows only a few days to cut and bale. A narrower windrow may be preferable for ease of pick-up and when drying is not critical (for example, when cutting for silage or green-feed).

Positioning Forming Shield Side Deflectors: Roll Conditioner

The position of the side deflectors controls the width and placement of the windrow. To ensure windrow placement is centered between the carrier wheels, adjust left and right side deflectors to the same position.

⚠ DANGER

To avoid bodily injury or death from unexpected startup of machine, always stop engine and remove key from ignition before leaving operator's seat for any reason.

1. Loosen the locking handle (A).
2. Slide the adjuster bar (B) along adjuster plate (C) to the desired deflector position and engage the bar (B) into a notch in the adjuster plate.
3. Tighten locking handle (A).
4. Repeat for other side.

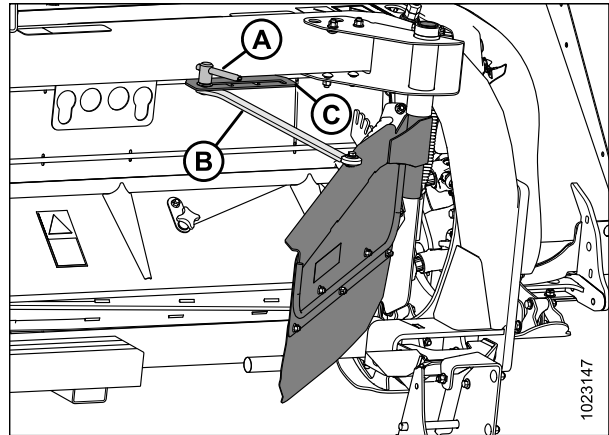


Figure 3.120: Forming Shield Side Deflector and Adjuster Bar

OPERATION

Positioning Forming Shield Rear Baffle: Roll Conditioner

The rear baffle primarily determines the height of the windrow, but can also affect the width. It is located immediately behind and above the conditioning rolls and can be positioned to do the following:

- Direct crop flow into forming shield for narrow and moderate width windrows.
- Direct crop downward to form a wide swath.
- Provide even material distribution across windrow with adjustable fins under rear baffle. Refer to [Positioning Rear Baffle Deflector Fins, page 83](#).

To position rear baffle, follow these steps:

DANGER

To avoid bodily injury or death from unexpected startup of machine, always stop engine and remove key from ignition before leaving operator's seat for any reason.

1. Remove lynch pin (A) securing rear baffle adjustment lever (B) to bracket (C).
2. Pull rear baffle adjustment lever (B) in inboard direction to disengage from bracket (C).
3. Position rear baffle adjustment lever (B) as follows:
 - Move lever forward to raise baffle
 - Move lever backward to lower baffle
4. Release rear baffle adjustment lever (B) so that tab engages hole in bracket (C).
5. Secure baffle adjustment lever (B) with lynch pin (A).

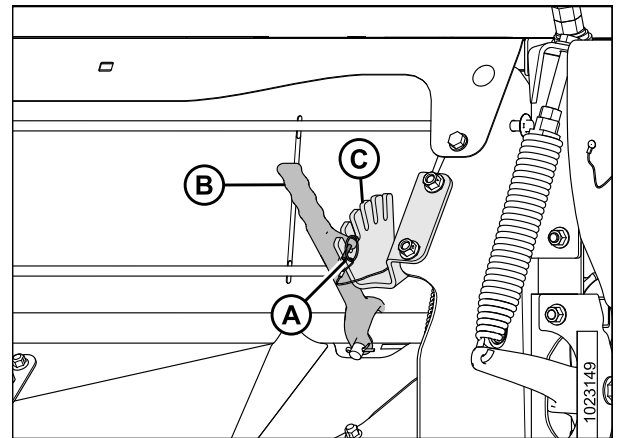


Figure 3.121: Right Side of Conditioner

Positioning Rear Baffle Deflector Fins

The rear baffle deflector fins are stored on top of the baffle, but can be moved under the baffle when a narrower windrow is desired in certain crops.

To install fins, follow these steps:

DANGER

To avoid bodily injury or death from unexpected startup of machine, always stop engine and remove key from ignition before leaving operator's seat for any reason.

OPERATION

1. Remove the two deflector fins (A) from the rear baffle (B).

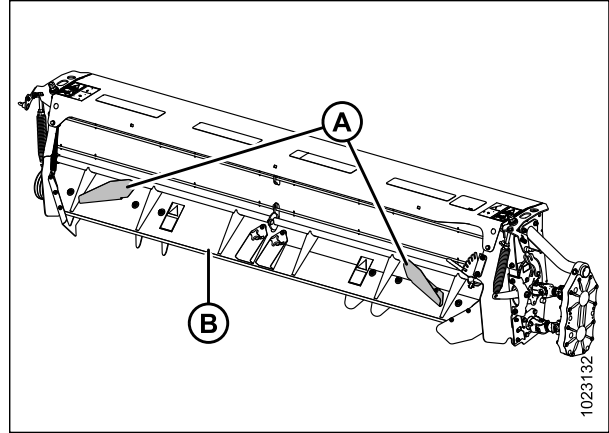


Figure 3.122: Deflector Fins in Storage Position

2. Position the deflector fin (A) under the baffle and secure with existing bolt and nut (B). Install bolt with bolt head facing down. Adjust to approximately 60° as shown, and torque nut to 69 Nm (51 lbf-ft).
3. Repeat for opposite deflector fin.

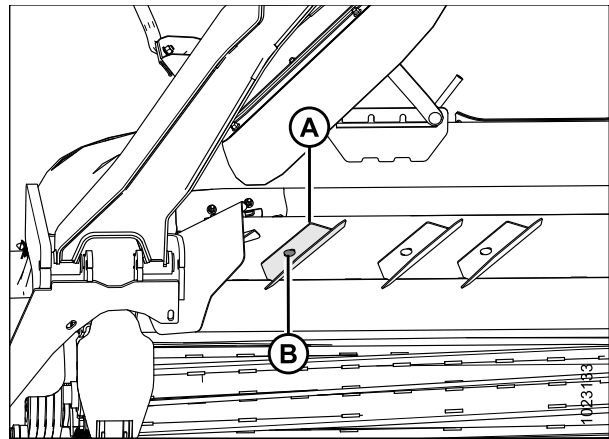


Figure 3.123: Left Deflector Fins in Field Position under Baffle

3.11 Cutterbar Deflectors

Cutterbar deflectors attach to the cutterbar just below the header's conditioner rolls. Deflectors provide improved feeding into the conditioner rolls and prevent heavy crop with long stems from feeding under the rolls.

Cutterbar deflectors may not be well-suited for some crop and field conditions. Refer to the following table:

Table 3.2 Conditions for Using Cutterbar Deflectors

Crop/Field Condition	Use Deflector
Average crop/normal field conditions	Yes
Long stemmed and heavy/normal field conditions	Yes
Long stemmed and heavy/sandy soil	No
Long stemmed and heavy/gopher mounds or rocks (refer to note below table)	No

NOTE:

Removing the deflector helps feed dirt/rocks through the header and prevents debris build up, wear and damage from rocks.

3.11.1 Removing Cutterbar Deflectors

⚠ DANGER

To avoid bodily injury or death from unexpected start-up or fall of a raised machine, stop engine, remove key, and engage header lift cylinder lock-out valves before going under machine for any reason.

1. Raise header fully, shut down tractor, and remove key from ignition.
2. Engage lift cylinder safety props.
3. Clean debris from deflectors and deflector area.
4. Remove bolt (C) shared with rock guard from the cutterbar on outboard end of deflector. Retain bolt.
5. Remove three bolts (B) and nuts securing deflector to cutterbar using an 8 mm hex key and a 16 mm socket, and remove deflector (A).
6. Replace retained bolt (C) through rock guard and secure with M12 washer and locking nut.
7. Repeat above steps for deflector (D) on opposite side of header.
8. Store deflectors and hardware in a safe place.

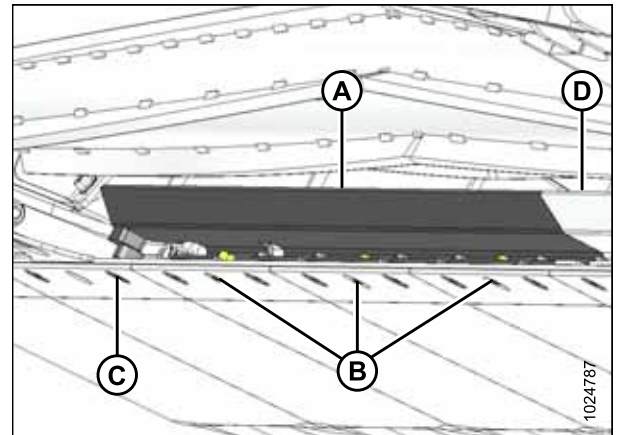


Figure 3.124: Cutterbar Left Deflector Viewed from Underside of Cutterbar

3.11.2 Installing Cutterbar Deflectors

⚠ DANGER

To avoid bodily injury or death from unexpected start-up or fall of a raised machine, stop engine, remove key, and engage header lift cylinder lock-out valves before going under machine for any reason.

1. Raise header fully, shut down tractor, and remove key from ignition.
2. Engage lift cylinder safety props.
3. Clean debris from ledge and the six mounting holes along aft edge of cutterbar.
4. Position left deflector (A) on aft edge of cutterbar, and align slots in deflector (A) with existing fasteners and cutterbar plug.
5. Secure deflector to cutterbar with three button socket head M10 bolts (B) and lock nuts. Nuts on top.
6. Install bolt (C) shared with rock guard at outboard end of deflector.

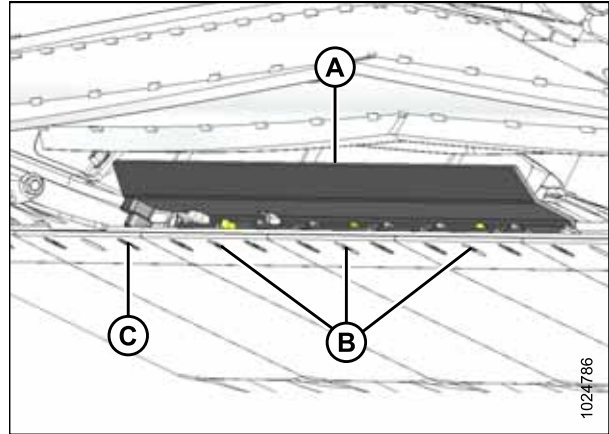


Figure 3.125: Cutterbar Left Deflector Viewed from Underside of Cutterbar

7. Position right deflector (A) on aft edge of cutterbar, and install three button socket head M10 bolts (B) with lock nuts. Nuts on top. Do not tighten.
8. Install bolt (C) shared with rock guard at outboard end of deflector.
9. Align deflectors at position (D) and tighten bolts (B) to specified torque with a 16 mm socket and an 8 mm hex key.

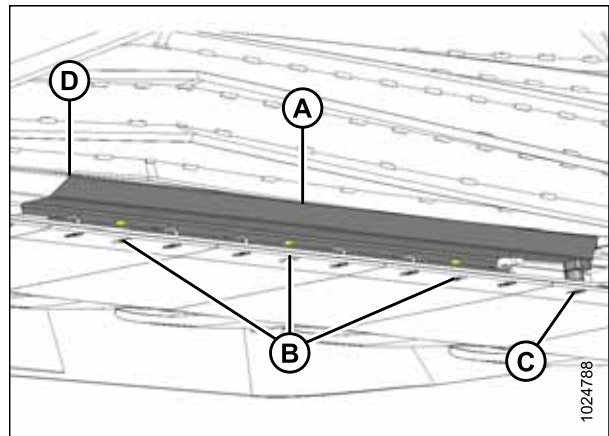


Figure 3.126: Cutterbar Right Deflector Viewed from Underside of Cutterbar

3.12 Haying Tips

3.12.1 Curing

Curing crops quickly helps maintain the highest quality of crop material as 5% of protein is lost from hay for each day that it lays on the ground after cutting.

Leaving the windrow as wide and fluffy as possible results in the quickest curing. Cured hay should be baled as soon as possible.

3.12.2 Topsoil Moisture

Table 3.3 Topsoil Moisture Levels

Level	% Moisture	Condition
Wet	Over 45%	Soil is muddy
Damp	25–45%	Shows footprints
Dry	Under 25%	Surface is dusty

- On wet soil, the general rule of wide and thin does not apply. A narrower windrow will dry faster than hay left flat on wet ground.
- When the ground is wetter than the hay, moisture from the soil is absorbed by the hay above it. Determine topsoil moisture level before cutting. Use a moisture tester or estimate level.
- If ground is wet due to irrigation, wait until soil moisture drops below 45%.
- If ground is wet due to frequent rains, cut hay when weather allows and let the forage lie on wet ground until it dries to the moisture level of the ground.
- Cut hay will dry only to the moisture level of the ground beneath it, so consider moving the windrow to drier ground.

3.12.3 Weather and Topography

- Cut as much hay as possible by midday when drying conditions are best.
- Slopes that face the sun receive up to 100% more exposure to the sun’s heat than slopes that do not face the sun. If hay is baled and chopped, consider baling sun facing slopes and chopping slopes that do not.
- When relative humidity is high, the evaporation rate is low and hay dries slowly.
- Humid air is trapped around the windrow in calm conditions. Raking or tedding will expose the hay to fresher and drier air.
- Cut hay perpendicular to the direction of the prevailing winds if possible.

3.12.4 Windrow Characteristics

Producing windrows with the recommended characteristics will achieve the best results. Refer to [3 Operation, page 21](#) for instructions on adjusting the header.

Table 3.4 Recommended Windrow Characteristics

Characteristic	Advantage
High and fluffy	Enables airflow through windrow, which is more important to the curing process than direct sunlight
Consistent formation (not bunching)	Permits an even flow of material into the baler, chopper, etc.
Even distribution of material across windrow	Results in even and consistent bales to minimize handling and stacking problems
Properly conditioned	Prevents excessive leaf damage

3.12.5 Driving on Windrow

Driving on previously cut windrows that will not be raked can lengthen drying time by a full day. If practical, set forming shields to produce a narrower windrow that the machine can straddle.

NOTE:

Driving on the windrow in high-yield crops may be unavoidable if a full width windrow is necessary.

3.12.6 Using Chemical Drying Agents

Hay drying agents work by removing wax from legume surfaces and allowing moisture to escape cut crop and evaporate faster; however, treated hay lying on wet ground will absorb ground moisture faster.

Before deciding to use a drying agent, carefully compare the relative costs and benefits for your area.

3.13 Transporting the Header

For information on transporting the header when attached to the windrower, refer to your windrower operator's manual.

IMPORTANT:

For cab-forward road travel the windrower must have the lighting and marking bundle installed (MD #B5412).

4 Maintenance and Servicing

The following instructions provide information about routine header service. Technical manuals contain detailed maintenance and service information and are available from your Dealer. A parts catalog is located in a plastic case at the right end of the header.

Log hours of operation and use the maintenance record provided (refer to [4.3.1 Maintenance Schedule/Record, page 96](#)) to keep track of your scheduled maintenance.

4.1 Preparing Machine for Servicing

CAUTION

To avoid personal injury, perform the following procedures before servicing self-propelled disc header or opening drive covers:

1. Lower the header fully. If you need to perform service in the raised position, always engage safety props. For instructions, refer to [3.3 Engaging and Disengaging Header Safety Props, page 24](#).
2. Stop engine and remove key.
3. Engage park brake.
4. Wait for all moving parts to stop.

4.2 Recommended Safety Procedures

- Park on level surface when possible. Follow all recommendations in your tractor operator's manual.
- Wear close-fitting clothing and cover long hair. Never wear dangling items such as scarves or bracelets.



Figure 4.1: Safety Around Equipment

- Wear protective shoes with slip-resistant soles, a hard hat, protective glasses or goggles, and heavy gloves.



Figure 4.2: Safety Equipment

- Be aware that if more than one person is servicing the machine at the same time, rotating a driveline or other mechanically driven component by hand (for example, to access a lube fitting) will cause drive components in other areas (belts, pulleys, and discs) to move. Stay clear of driven components at all times.

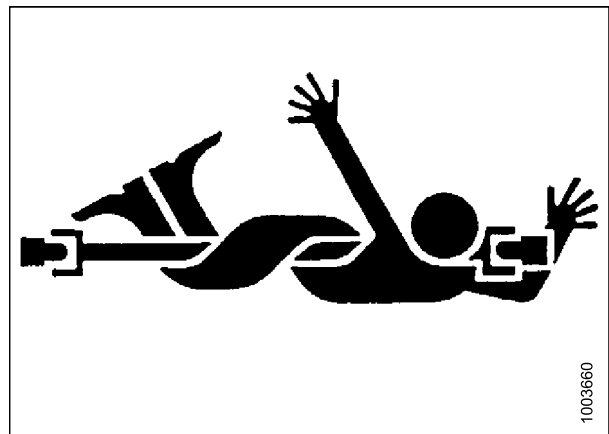


Figure 4.3: Safety Around Equipment

MAINTENANCE AND SERVICING

- Be prepared if an accident should occur. Know where the first aid kits and fire extinguishers are located, and know how to use them.

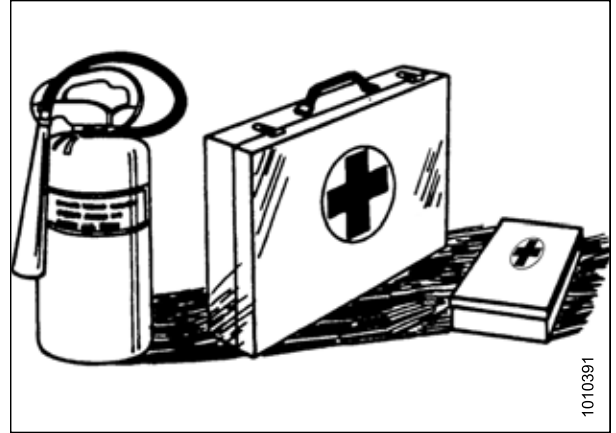


Figure 4.4: Safety Equipment

- Keep the service area clean and dry. Wet or oily floors are slippery. Wet spots can be dangerous when working with electrical equipment. Be sure all electrical outlets and tools are properly grounded.



Figure 4.5: Safety Around Equipment

- Use adequate light for the job at hand.
- Replace all shields removed or opened for service.
- Use only service and repair parts made or approved by the equipment manufacturer. Substituted parts may not meet strength, design, or safety requirements.
- Keep machinery clean. Never use gasoline, naphtha, or any volatile material for cleaning purposes. These materials may be toxic and/or flammable.

4.3 Maintenance Requirements

IMPORTANT:

Recommended intervals are for average conditions. Service the machine more often if operating under adverse conditions (severe dust, extra heavy loads, etc.).

Regular maintenance is the best insurance against early wear and untimely breakdowns. Following the maintenance schedule will increase your machine's life. Periodic maintenance requirements are organized according to service intervals.

If more than one interval is specified for a service item (e.g., 100 hours or annually), service the machine at whichever interval is reached first.

When servicing the machine, refer to the specific headings in this section. Refer to this manual's inside back cover and use only the specified fluids and lubricants.

Log hours of operation, use the maintenance record, and keep copies of your maintenance records. Refer to [4.3.1 Maintenance Schedule/Record, page 96](#).



CAUTION

Carefully follow all safety messages. Refer to [4.2 Recommended Safety Procedures, page 92](#).




MAINTENANCE AND SERVICING

This page intentionally left blank

MAINTENANCE AND SERVICING

4.3.1 Maintenance Schedule/Record

Keep a record of maintenance as evidence of a properly maintained machine. Daily maintenance records are not required to meet normal warranty conditions.

	Hour meter reading																			
	Service date																			
	Serviced by																			
First use		Refer to 4.3.2 Break-In Inspections, page 98 .																		
End of season		Refer to 4.3.4 End-of-Season Servicing, page 98 .																		
Action		✓ Check	● Lubricate										▲ Change							
First 10 hours then Daily																				
✓	Inspect cutterbar discs. Refer to Inspecting Cutterbar Discs, page 106 .	Daily maintenance records are not required to meet normal warranty conditions.																		
✓	Inspect disc blades. Refer to Inspecting Discblades, page 118 .																			
✓	Inspect accelerators. Refer to Inspecting Accelerators, page 125 .																			
✓	Inspect rock guards. Refer to Inspecting Rock Guards, page 128 .																			
✓	Inspect drums. Refer to Inspecting Drums, page 130 .																			
✓	Check hydraulic hoses and lines. Refer to 4.12.1 Checking Hydraulic Hoses and Lines, page 184 .																			
Every 25 Hours³																				
✓	Check conditioner drive belt tension. Refer to Inspecting Conditioner Drive Belt, page 163 .																			
●	Lube idler pivot. Refer to 4.4 Lubrication, page 100 .																			
●	Lube upper and lower driveline universal joints. Refer to 4.4 Lubrication, page 100 .																			
●	Lube roller conditioner bearings. Refer to 4.4 Lubrication, page 100 .																			
●	Lube conditioner roll driveline slip joints. Refer to 4.4 Lubrication, page 100 .																			

3. The driveline inside the driven drum is lubricated for life and does not require any routine lubrication.

MAINTENANCE AND SERVICING

Every 100 Hours or Annually													
✓	Check conditioner drive belt tension. Refer to <i>Inspecting Conditioner Drive Belt, page 163.</i>												
✓	Check roll timing gearbox lubricant. Refer to <i>4.6.1 Checking and Changing Conditioner Roll Timing Gearbox Oil, page 149.</i>												
✓	Check header drive gearbox lubricant. Refer to <i>4.7.1 Checking and Changing Header Drive Gearbox Oil, page 151.</i>												
Every 250 Hours ⁴													
▲	Change roll timing gearbox lubricant. Refer to <i>4.6.1 Checking and Changing Conditioner Roll Timing Gearbox Oil, page 149.</i>												
▲	Change header drive gearbox lubricant. Refer to <i>4.7.1 Checking and Changing Header Drive Gearbox Oil, page 151.</i>												
Every 500 Hours ⁴													
▲	Change cutterbar lubricant. Refer to <i>4.5.1 Lubricating Cutterbar, page 102.</i>												

4. Begins after the first 150 hour service.

4.3.2 Break-In Inspections

Table 4.1 Break-In Inspection Schedule

Inspection Interval	Item	Refer to
1 Hour	Check for loose hardware and tighten to required torque	<i>7.1 Torque Specifications, page 195</i>
5 Hours	Check for loose hardware and tighten to required torque	<i>7.1 Torque Specifications, page 195</i>
5 Hours	Check conditioner drive belt tension	<i>Inspecting Conditioner Drive Belt, page 163</i>
25 Hours	Check conditioner drive belt tension	<i>Inspecting Conditioner Drive Belt, page 163</i>
50 Hours	Check conditioner drive belt tension	<i>Inspecting Conditioner Drive Belt, page 163</i>
50 Hours	Change conditioner roll timing gearbox lubricant	<i>4.6.1 Checking and Changing Conditioner Roll Timing Gearbox Oil, page 149</i>
50 Hours	Change header drive gearbox lubricant	<i>4.7.1 Checking and Changing Header Drive Gearbox Oil, page 151</i>
150 Hours	Check conditioner drive belt tension	<i>Inspecting Conditioner Drive Belt, page 163</i>

4.3.3 Preseason Servicing

 **CAUTION**

- Review the operator's manual to refresh your memory on safety and operating recommendations.
- Review all safety signs and other decals on the self-propelled disc header and note hazard areas.
- Ensure all shields and guards are properly installed and secured. Never alter or remove safety equipment.
- Make certain you understand and have practiced safe use of all controls. Know the capacity and the operating characteristics of the machine.
- Check the first aid kit and fire extinguisher. Know where they are and how to use them.

Perform the following procedures at the beginning of each operating season:

1. Lubricate machine completely. Refer to *4.4 Lubrication, page 100* and *4.5.1 Lubricating Cutterbar, page 102*.
2. Perform all annual maintenance. Refer to *4.3.1 Maintenance Schedule/Record, page 96*.

4.3.4 End-of-Season Servicing

 **CAUTION**

Never use gasoline, naphtha, or any volatile material for cleaning purposes. These materials may be toxic and/or flammable.

CAUTION

Cover cutterbar to prevent injury from accidental contact.

Perform the following procedures at the end of each operating season:

1. Clean the header thoroughly.
2. Store in a dry, protected place if possible. If stored outside, always cover header with a waterproof canvas or other protective material.
3. Raise header and engage lift cylinder safety props.
4. Repaint all worn or chipped painted surfaces to prevent rust.
5. Loosen drive belt.
6. Lubricate the header thoroughly leaving excess grease on fittings to keep moisture out of bearings.
7. Apply grease to exposed threads, cylinder rods, and sliding surfaces of components.
8. Oil cutterbar components to prevent rust.
9. Check for worn components and repair as necessary.
10. Check for broken components and order replacements from your Dealer. Immediate repair of these items will save time and effort at beginning of next season.
11. Replace or tighten any missing or loose hardware. Refer to [7.1 Torque Specifications, page 195](#).
12. Remove divider rods (if equipped) to reduce space required for inside storage.

4.4 Lubrication

WARNING

To avoid personal injury, before servicing header or opening drive covers, refer to [4.1 Preparing Machine for Servicing, page 91](#).

Greasing points are marked on the machine by decals showing a grease gun and the grease interval in hours of operation.

Log hours of operation and use the maintenance schedule provided to keep a record of scheduled maintenance. Refer to [4.3.1 Maintenance Schedule/Record, page 96](#).

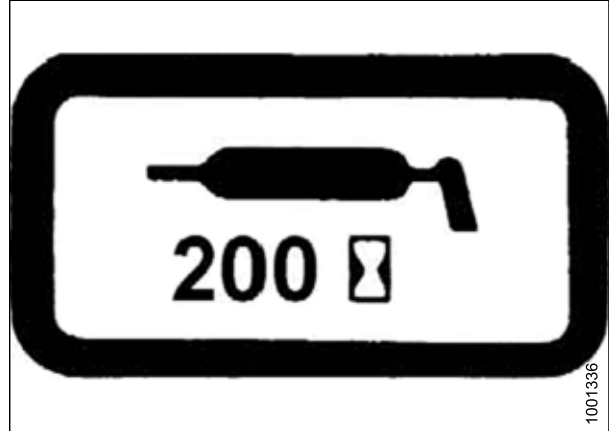


Figure 4.6: Grease Interval Decal

4.4.1 Greasing Procedure

Only use clean, high temperature, extreme pressure grease. Refer to this manual's inside back cover for a list of recommended fluids and lubricants.

DANGER

To avoid bodily injury or death from unexpected startup of machine, always stop engine and remove key from ignition before leaving operator's seat for any reason.

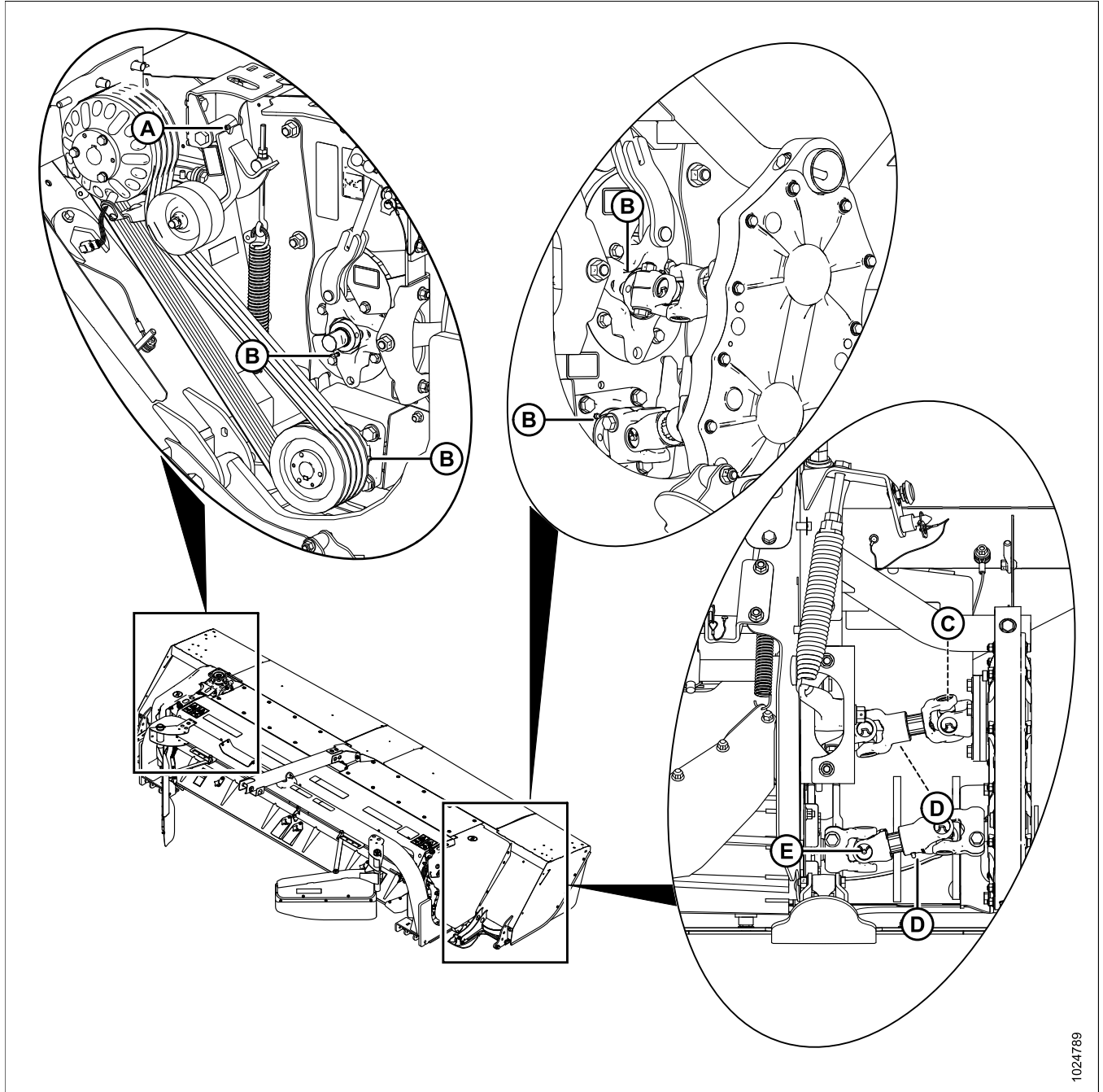
1. Open driveshields at the ends of the header to access greasing points. Refer to [3.6.1 Opening Driveshields, page 62](#).
2. Wipe grease fitting with a clean cloth before greasing to avoid injecting dirt and grit.
3. Replace any loose or broken fittings immediately.
4. Inject grease through fitting with grease gun until grease overflows fitting (except where noted).
5. Leave excess grease on fitting to keep out dirt.
6. Remove and thoroughly clean any fitting that will not take grease and clean lubricant passageway. Replace fitting if necessary.

MAINTENANCE AND SERVICING

Every 25 Hours

Use high temperature extreme pressure (EP2) performance grease with 1% max molybdenum disulphide (NLGI grade 2) lithium base unless otherwise specified.

Figure 4.7: Every 25 Hours



1024789

A - Idler/Tensioner Pivot

D - Slip Joints, Conditioner Drivelines ⁵

B - Bearing, Roller Conditioner (4 Places)

E - U-Joint, Lower Driveline (2 Places)

C - U-Joint, Upper Driveline (2 Places)

5. Use high temperature extreme pressure (EP2) performance grease with 10% max molybdenum disulphide (NLGI grade 2) lithium base

4.5 Servicing Cutterbar

Check and change the lubricant at regular intervals. Refer to [4.3.1 Maintenance Schedule/Record, page 96](#).

IMPORTANT:

Warm cold lubricant by idling the machine for 10 minutes prior to checking level.

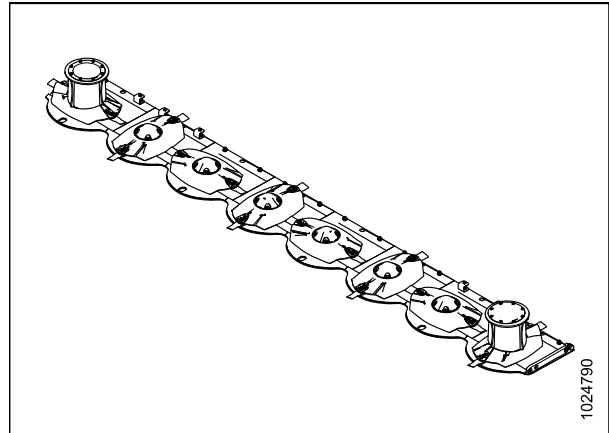


Figure 4.8: R113 Cutterbar

4.5.1 Lubricating Cutterbar

Checking and Adding Cutterbar Lubricant

⚠ DANGER

To avoid bodily injury or death from unexpected startup of machine, always stop engine and remove key from ignition before leaving operator's seat for any reason.

⚠ CAUTION

Exercise caution when working around the blades. Blades are sharp and can cause serious injury. Wear gloves when handling blades.

1. Park machine on level ground.
2. Position disc header so that the cutterbar is approximately level.
3. Shut down engine, and remove key.
4. Open cutterbar doors (A). Refer to [3.7.1 Opening Cutterbar Doors, page 65](#).

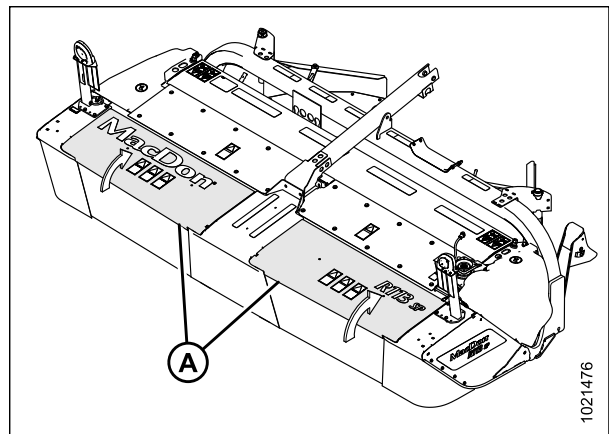


Figure 4.9: R113 SP Header

MAINTENANCE AND SERVICING

5. Use a spirit (bubble) level (A) to ensure the cutterbar is level in both directions. Raise or lower the disc header accordingly.

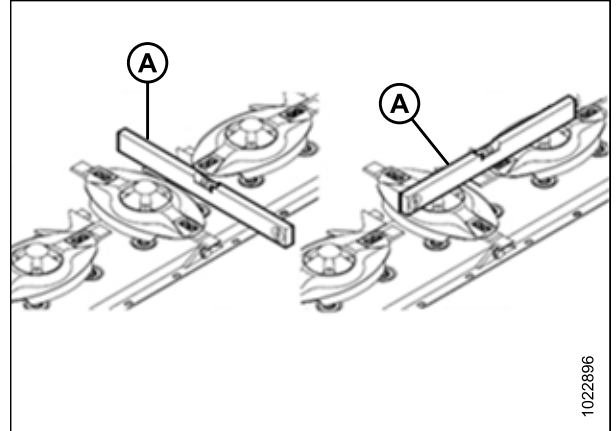


Figure 4.10: Spirit Level on Cutterbar

6. Remove oil level inspection plug (A) and O-ring (B) from cutterbar. Oil level must be up to the bore.

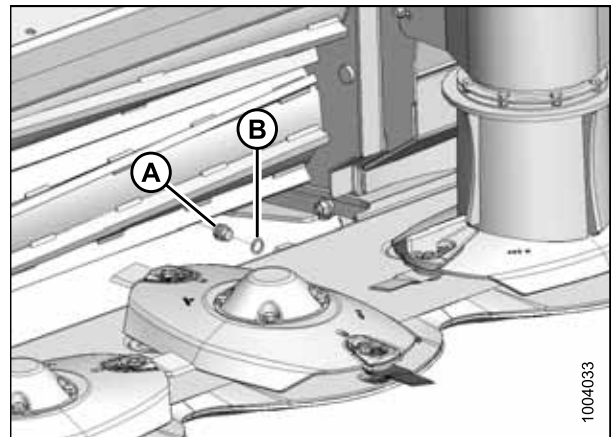


Figure 4.11: Cutterbar Oil Inspection Plug

7. If required, replace inspection plug removed in Step 6, [page 103](#) and add lubricant as per the following steps. Otherwise, proceed to step [13, page 104](#).

CAUTION

Never start or move the machine until you are sure all bystanders have cleared the area.

8. Start windrower engine, and raise header slightly.
9. Lower header onto blocks so that left end is slightly higher than right end.
10. Remove breather (A) at left end.

IMPORTANT:

Do **NOT** remove bolts (B).

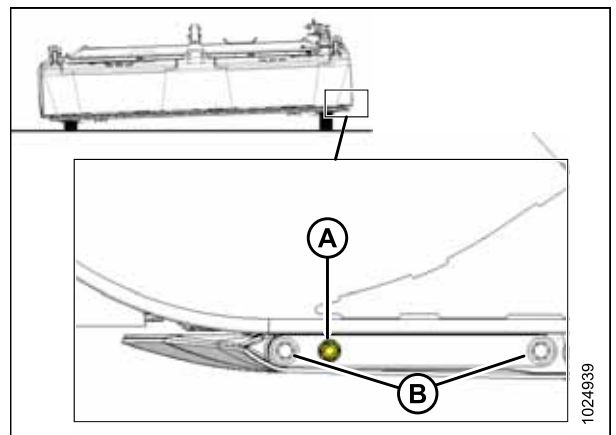


Figure 4.12: Adding Lubricant

MAINTENANCE AND SERVICING

11. Add sufficient lubricant to required level.

IMPORTANT:

Do **NOT** overfill the cutterbar. Overfilling can cause overheating, damage, or failure of cutterbar components.

NOTE:

Refer to the inside back cover of this manual for lubricant specifications.

12. Replace breather and torque to 30 Nm (22 lbf·ft).
Recheck oil level.
13. Check O-ring (B) for breaks or cracks, and replace if necessary.
14. Install plug (A) and O-ring (B). Tighten securely.

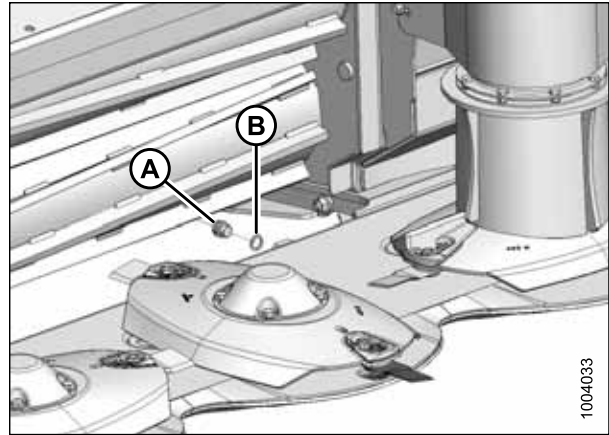


Figure 4.13: Cutterbar Oil Inspection Plug

Draining Cutterbar

DANGER

To avoid bodily injury or death from unexpected startup of the machine, always stop the engine and remove the key from the ignition before leaving the operator's seat for any reason.

CAUTION

Exercise caution when working around the blades. Blades are sharp and can cause serious injury. Wear gloves when handling blades.

1. Start engine and raise disc header.
2. Place a block under each end of the disc header so the right end is lower than the left end.

IMPORTANT:

Always drain lubricant from the right end of the disc header. Draining lubricant from the left end of the disc header may lead to breather contamination or failure.

3. Lower disc header onto blocks, shut down engine, and remove key.

MAINTENANCE AND SERVICING

- Place a 10 liter (10.5 US qts) capacity container under lower end of cutterbar, clean area around plug (A), and remove plug.

IMPORTANT:

Do **NOT** remove hex head bolts (B) securing cutterbar end plate to cutterbar or lubricant leaks could result.

- Allow sufficient time for lubricant to drain, and install M18 cutterbar plug (A). Torque plug to 30 Nm (22 lbf·ft).

NOTE:

Do **NOT** flush the cutterbar.

- Dispose of used lubricant responsibly.

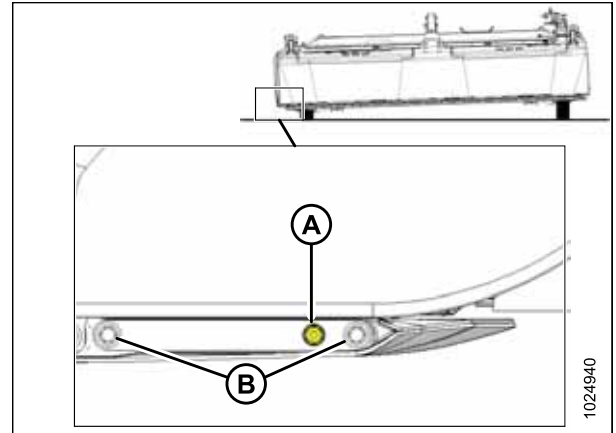


Figure 4.14: Draining Cutterbar

Filling Cutterbar

! DANGER

To avoid bodily injury or death from unexpected startup of the machine, always stop the engine and remove the key from the ignition before leaving the operator's seat for any reason.

! CAUTION

Exercise caution when working around the blades. Blades are sharp and can cause serious injury. Wear gloves when handling blades.

- Remove breather (A) from raised end of cutterbar and add **EXACT** amount of lubricant specified. Refer to inside back cover of this manual for list of recommended fluids and lubricants.

IMPORTANT:

Do **NOT** overfill the cutterbar. Overfilling can cause overheating, damage, or failure of cutterbar components.

IMPORTANT:

Do **NOT** remove the hex head bolts (B) securing cutterbar end plate to cutterbar or lubricant leaks could result.

- Install the breather (A). Torque breather to 30 Nm (22 lbf·ft).
- Start engine, and raise disc header.
- Stop engine, remove key, and engage windrower lift cylinder safety props.
- Remove blocks.
- Check lubricant level. Refer to [Checking and Adding Cutterbar Lubricant, page 102](#).

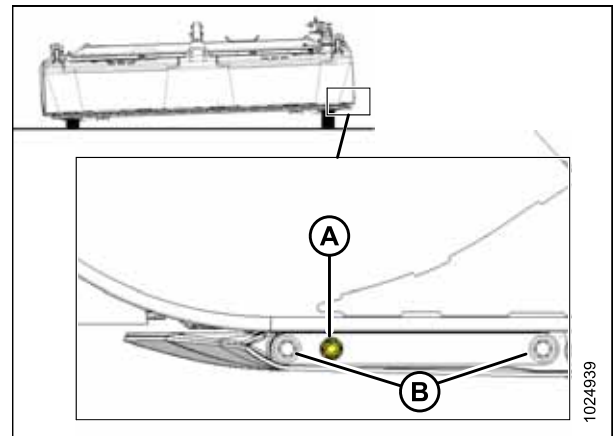


Figure 4.15: Filling Cutterbar

4.5.2 Replacing Cutterbar Discs

Perform daily inspections to ensure that cutterbar discs have not suffered damage from rocks, or experienced excessive wear from abrasive working conditions.

Cutterbar discs are interchangeable and can be moved to a spindle that rotates in the opposite direction as long as it is in usable condition and the blades are oriented to cut in the correct direction.

The cutterbar discs are **NOT** repairable and must be replaced if severely damaged or worn.

IMPORTANT:

If holes appear in a cutterbar disc, replace the disc immediately. Do **NOT** attempt to repair the cutterbar discs. Always use factory replacement parts.

Inspecting Cutterbar Discs

DANGER

To avoid bodily injury or death from unexpected startup of machine, always stop engine and remove key from ignition before leaving operator's seat for any reason.

CAUTION

Disclades have two sharp cutting edges that can cause serious injury. Exercise caution and wear gloves when working with blades.

CAUTION

Damaged blades may damage the cutterbar and result in poor cutting performance. Replace damaged blades immediately.

1. Inspect the cutterbar disc surface (D) for cracks, excessive wear, and disc distortion. Replace as required.
2. Inspect the cutterbar disc edges (E) for cracks, excessive wear, and edge distortion. Replace as required.

NOTE:

Cutterbar discs are **NOT** repairable and must be replaced if damaged.

3. Ensure that the disclade fasteners (A) are securely attached to the cutterbar disc and that nut shields (B) are present and undamaged. Replace as required.
4. Check that the cutterbar disc bolts (C) are securely attached to the spindles. Tighten as required.

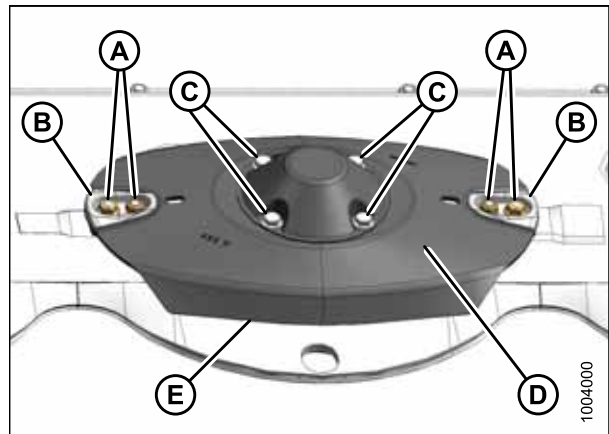


Figure 4.16: Cutterbar Disc

Removing Cutterbar Discs

⚠ DANGER

To avoid bodily injury or death from unexpected start-up or fall of a raised machine, stop engine, remove key, and engage windrower lift cylinder safety props before going under machine for any reason.

⚠ CAUTION

Discblades have two sharp cutting edges that can cause serious injury. Exercise caution and wear gloves when working with blades.

1. Raise disc header fully, shut off engine, and remove key.
2. Engage windrower lift cylinder safety props. Refer to [3.3 Engaging and Disengaging Header Safety Props](#), page 24.
3. Open cutterbar doors (A). Refer to [3.7.1 Opening Cutterbar Doors](#), page 65.

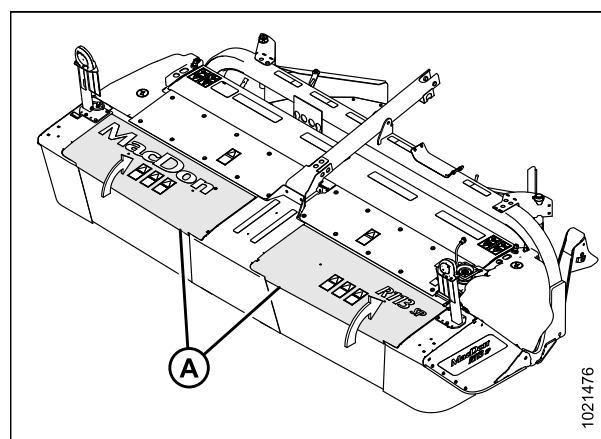


Figure 4.17: R113 SP Header

4. Place a pin (or equivalent) in the front hole of the rock guard (B) to prevent disc rotation while loosening bolts.
5. Remove four M12 bolts (A) and washers.

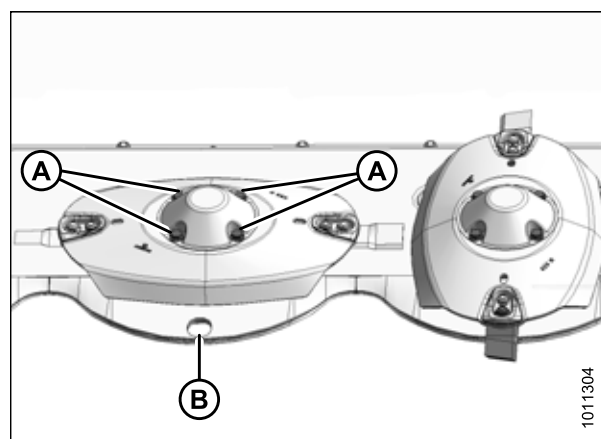


Figure 4.18: Cutterbar Disc Bolts

MAINTENANCE AND SERVICING

6. Remove cutterbar disc cap (A).
7. Remove cutterbar disc (B).

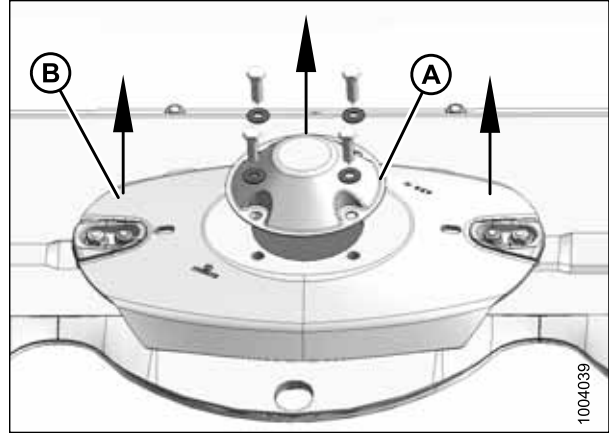


Figure 4.19: Cutterbar Disc and Cap

Installing Cutterbar Discs

⚠ DANGER

To avoid bodily injury or death from unexpected start-up or fall of a raised machine, stop engine, remove key, and engage windrower lift cylinder safety props before going under machine for any reason.

⚠ CAUTION

Exercise caution when working around the blades. Blades are sharp and can cause serious injury. Wear gloves when handling blades.

1. Install spacer plate (A) on spindle.

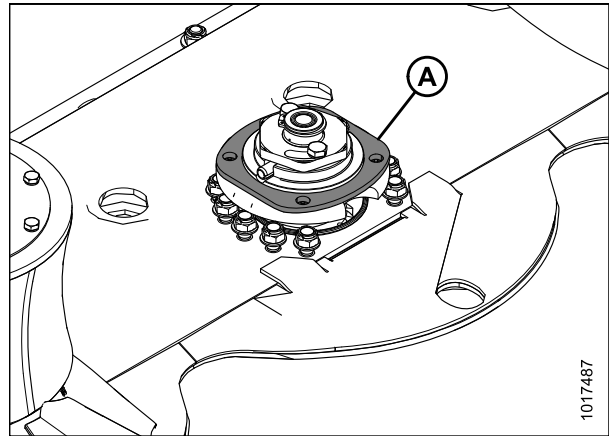


Figure 4.20: Disc Spindle

MAINTENANCE AND SERVICING

2. Place a pin (or equivalent) in the front hole of the rock guard (D) to prevent disc rotation while tightening bolts.
3. Position new disc (A) on spindle ensuring that it is positioned at a 90 degree angle in relation to the adjacent discs.
4. Install cutter disc cap (B), and secure assembly with four M12 bolts and washers (C). Torque bolts to 85 Nm (63 lbf·ft).

WARNING

Ensure cutterbar is completely clear of foreign objects. Foreign objects can be ejected with considerable force when the machine is started and may result in serious injury or machine damage.

5. Remove pin (or equivalent) from front hole of rock guard.
6. Close cutterbar doors (A). Refer to [3.7.3 Closing Cutterbar Doors, page 68](#).

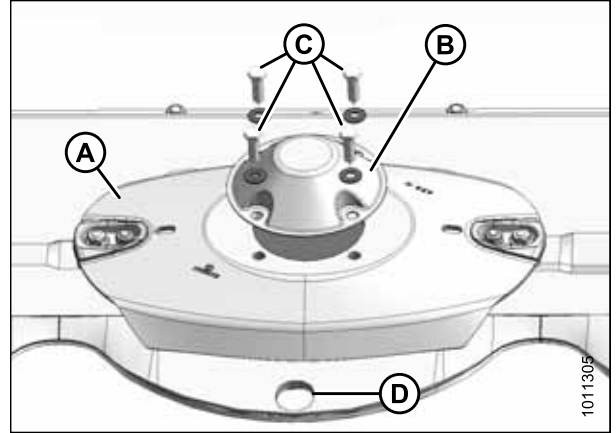


Figure 4.21: Cutterbar Disc and Cap

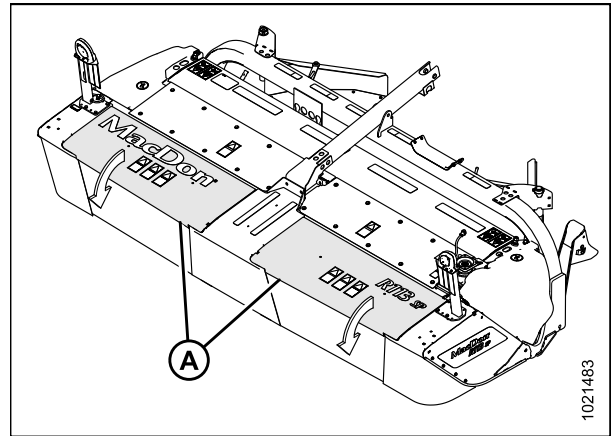


Figure 4.22: R113 SP Header

4.5.3 Replacing Cutterbar Spindles

To prevent damage to the cutterbar and drive systems, each disc is attached to a spindle containing a shear pin (A).

If the disc contacts a large object such as a stone or stump, the pin will shear and the disc will stop rotating and move upwards while remaining attached to the spindle with a snap ring (B).

NOTE:

Once spindle has risen due to shear pin failure, the spindle's bearing will become unloaded. Do **NOT** replace the spindle due to excessive play. Check play after replacing damaged shear pins.

Refer to [4.5.8 Replacing Cutterbar Spindle Shear Pin, page 142](#) to replace shear pin.

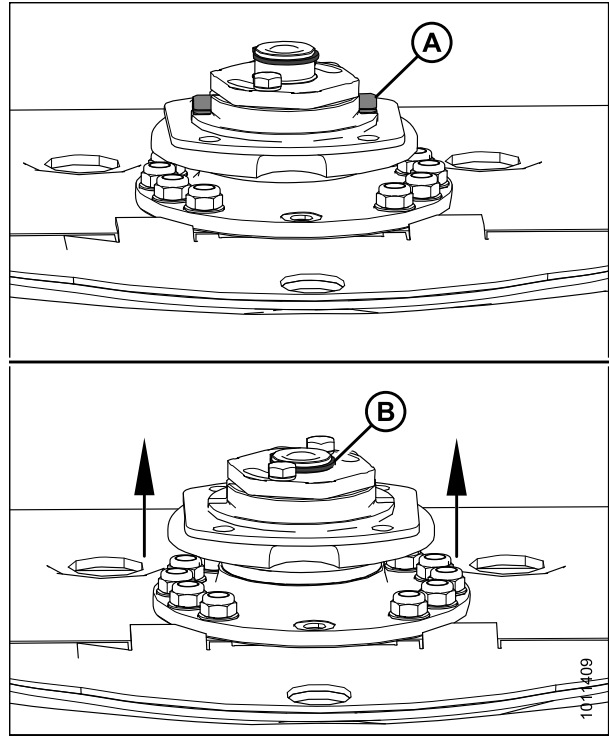


Figure 4.23: Cutterbar Spindles

IMPORTANT:

- Spindles that rotate clockwise have right-leading threading and a smooth top on the spindle gear shaft (A).
- Spindles that rotate counterclockwise have left-leading threading and machined grooves on the spindle gear shaft (B) and nut (C).
- If spindle position in cutterbar has changed, the rotational direction of that spindle **MUST** remain the same (that is, a clockwise spindle must maintain its clockwise rotation).
- Failure to maintain rotation pattern can result in damage to spindle and/or cutterbar components.

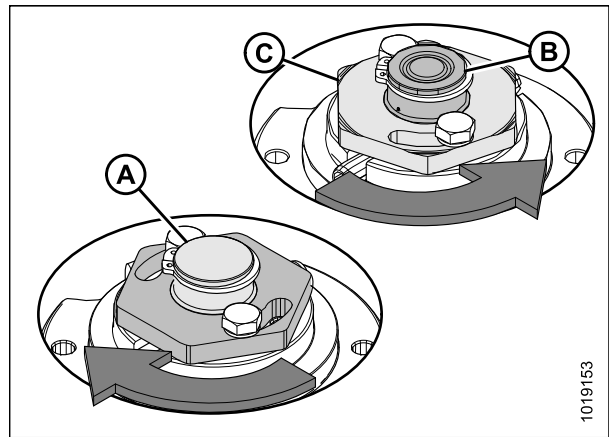


Figure 4.24: Cutterbar Spindles

Removing Cutterbar Spindles

⚠ DANGER

To avoid bodily injury or death from unexpected start-up or fall of a raised machine, stop engine, remove key, and engage windrower lift cylinder safety props before going under machine for any reason.

⚠ CAUTION

Disclades have two sharp cutting edges that can cause serious injury. Exercise caution and wear gloves when working with blades.

MAINTENANCE AND SERVICING

1. Park on a flat, level surface.
2. Lower disc header fully, shut off engine, and remove key.

NOTE:

To prevent oil from spilling from the cutterbar when removing disc spindles, ensure disc header is on a flat, level surface and is tilted all the way back.

3. Open cutterbar doors (A). Refer to [3.7.1 Opening Cutterbar Doors](#), page 65.

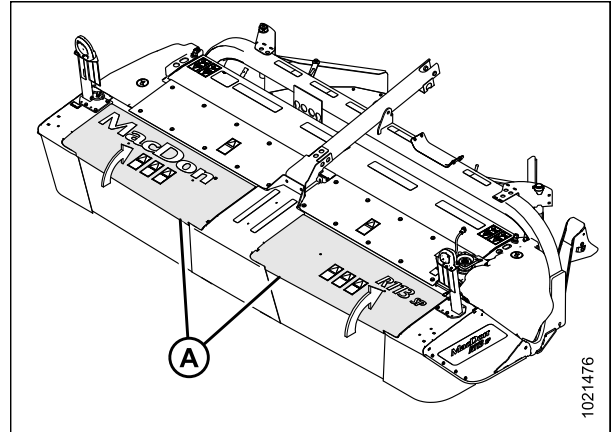


Figure 4.25: R113 SP Header

4. Place a pin (or equivalent) in the front hole of the rock guard (B) to prevent disc rotation while loosening bolts.
5. Remove four M12 bolts (A) and washers.

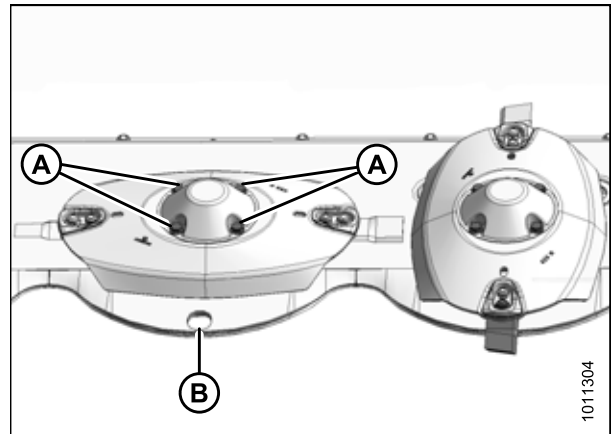


Figure 4.26: Cutterbar Disc Bolts

MAINTENANCE AND SERVICING

6. Remove cutterbar disc cap (A).
7. Remove cutterbar disc (B).

IMPORTANT:

Blades are rotation specific. Switch entire disc when swapping spindles.

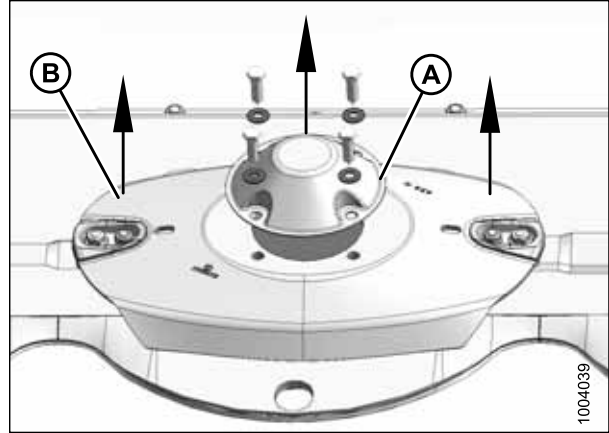


Figure 4.27: Cutterbar Disc and Cap

8. Remove spacer plate (A).

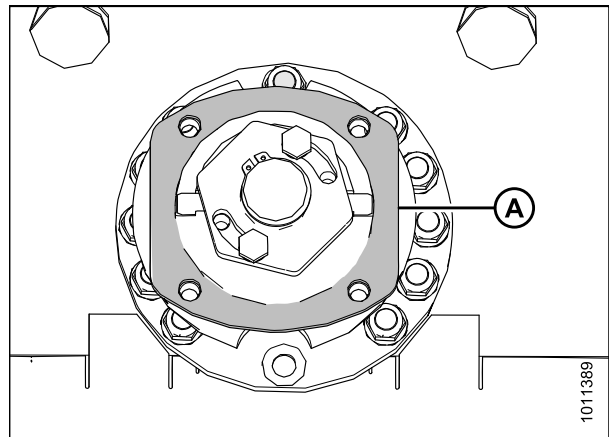


Figure 4.28: Spacer Plate

9. Rotate spindle hub (A) to access nuts, and remove eleven M12 lock nuts (B) and washers.

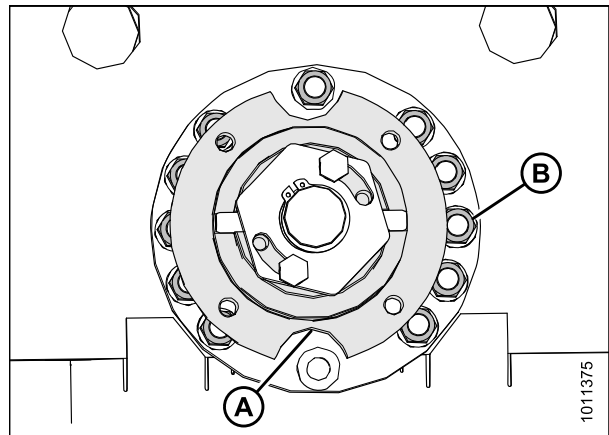


Figure 4.29: Left Spindle Hub and Hardware

MAINTENANCE AND SERVICING

10. Remove spindle (A) from cutterbar.

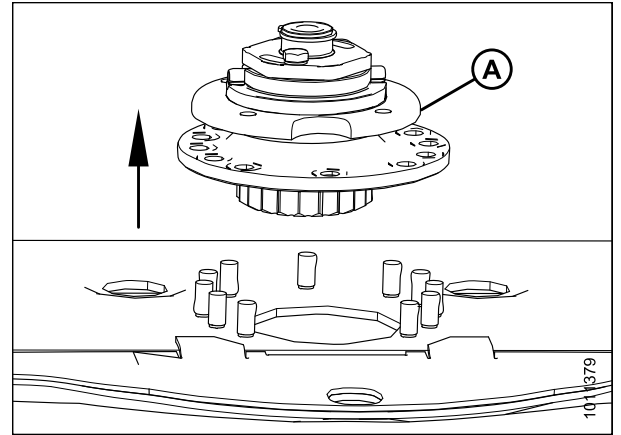
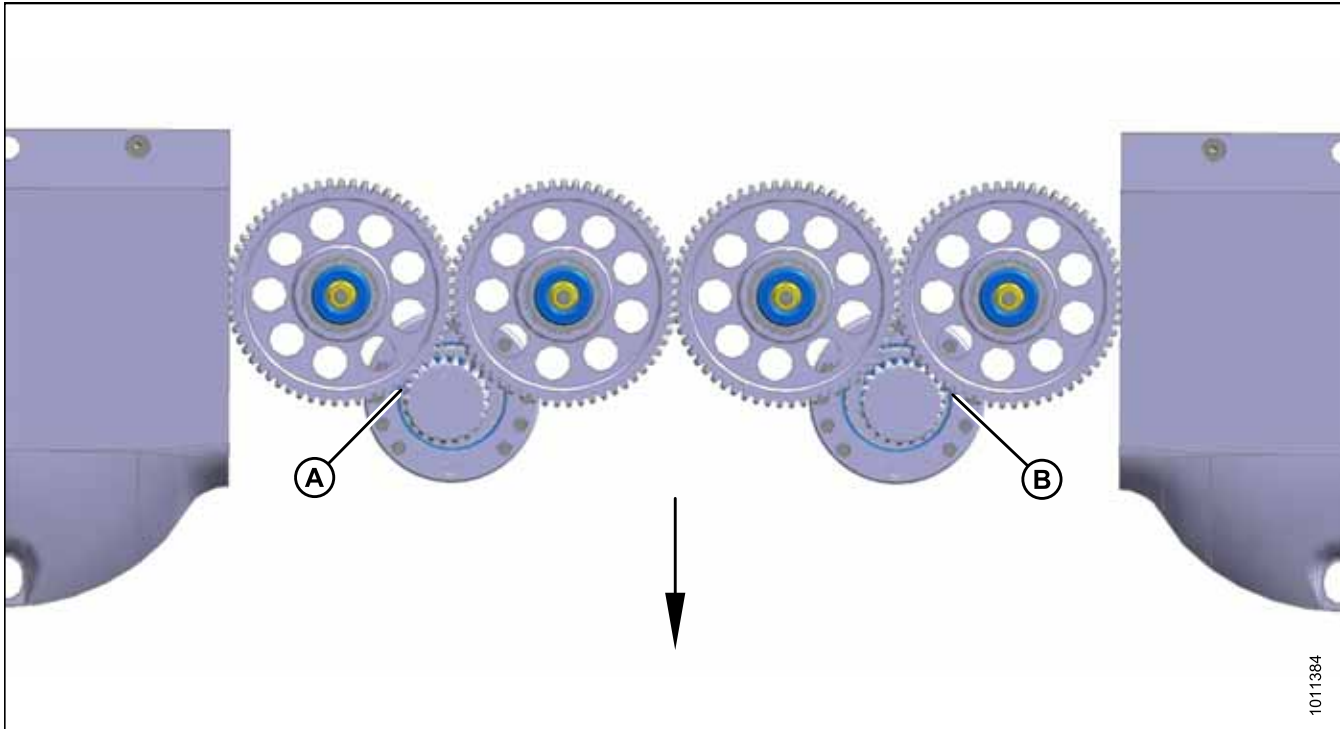


Figure 4.30: Left Spindle

Installing Cutterbar Spindles

Figure 4.31: Underside of Cutterbar Spindles



IMPORTANT:

Right discs (A) and left discs (B) are timed and must be at 90° from adjacent discs when reinstalled. Misaligned discs could result in the following:

- Disclades of co-rotating discs hitting each other
- Disclades of diverging discs hitting adjacent discs

Check clearance before tightening spindle to the cutterbar. Turn disc by hand to ensure disclades do not contact each other or adjacent discs. If contact occurs or alignment is incorrect, lift spindle to clear mounting bolts, rotate spindle 90° (ensuring that base does not turn), and reinstall. It may take 180° (two adjustments of 90° increments to get timing correct).

NOTE:

Right discs (A) and left discs (B) are slightly offset as shown depending on which idler gear the spindle is turning.

- Spindles that rotate clockwise have left-leading threading
- Spindles that rotate counterclockwise have right-leading threading

⚠ DANGER

To avoid bodily injury or death from unexpected start-up or fall of a raised machine, stop engine, remove key, and engage windrower lift cylinder safety props before going under machine for any reason.

⚠ CAUTION

Disclades have two sharp cutting edges that can cause serious injury. Exercise caution and wear gloves when working with blades.

MAINTENANCE AND SERVICING

1. Park on a flat, level surface.
2. Lower disc header fully, shut off engine, and remove key.

NOTE:

To prevent oil from spilling from the cutterbar while installing disc spindles, ensure disc header is on a flat, level surface and is tilted all the way back.

3. Open cutterbar doors (A). Refer to [3.7.1 Opening Cutterbar Doors](#), page 65.

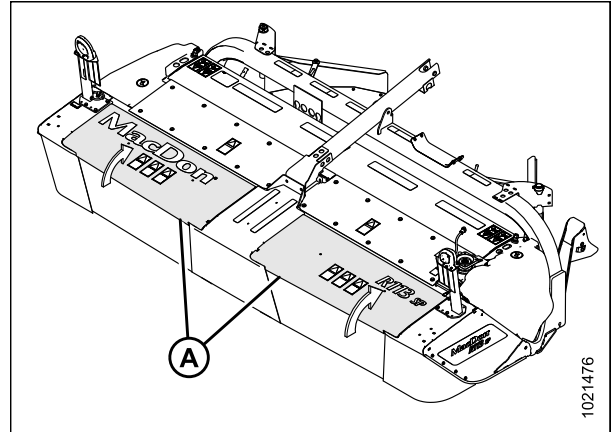


Figure 4.32: R113 SP Header

4. Determine suitable spindle rotation pattern for crop conditions. Refer to [4.5.3 Replacing Cutterbar Spindles](#), page 110.
5. Ensure that spindle O-ring (A) is properly seated, cleaned, and undamaged.

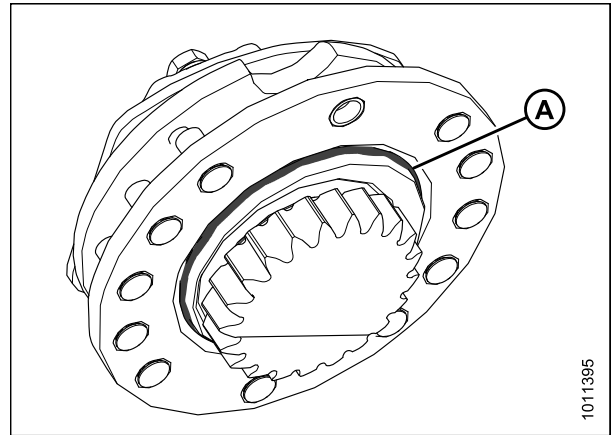


Figure 4.33: Left Spindle O-Ring

MAINTENANCE AND SERVICING

6. Insert spindle (A) into cutterbar.

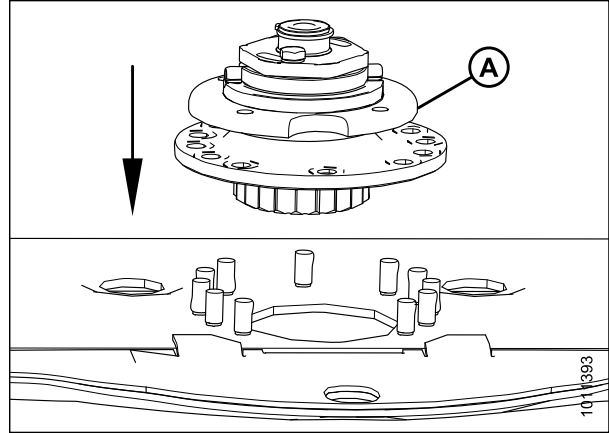


Figure 4.34: Left Spindle

7. Insert studs (A) into spindle as shown.

NOTE:

Plugs are factory-installed as shown in position (B), but may come loose over time. Ensure studs are inserted into proper location.

IMPORTANT:

Ensure clockwise spindles rotate clockwise and counterclockwise spindles (with machined grooves) rotate counterclockwise.

IMPORTANT:

The offset gear design makes it possible to install spindles that rotate in the wrong direction. This will prevent discs from spinning up after impact, resulting in cutterbar component damage.

8. Rotate spindle hub (A) to access studs, and install eleven M12 lock nuts (B) and washers.

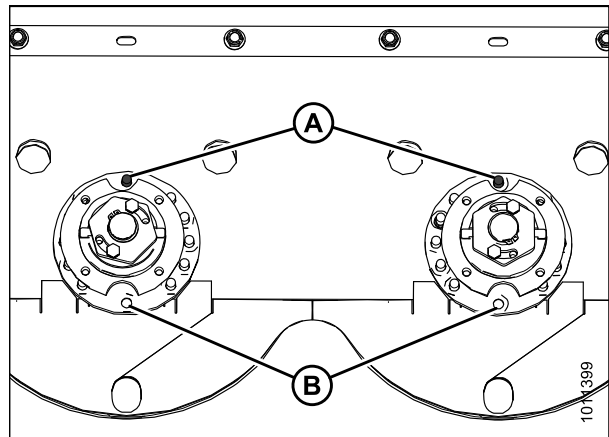


Figure 4.35: Spindle Orientation

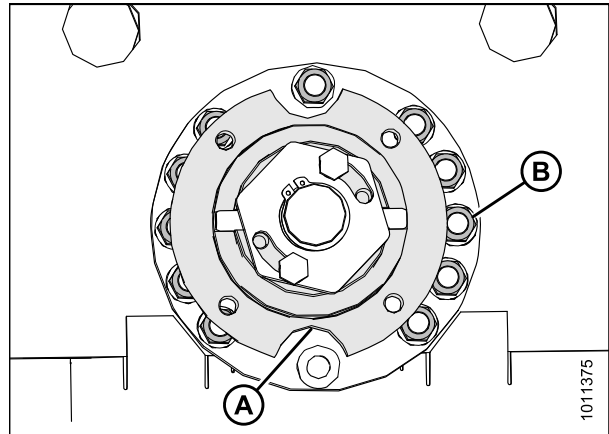


Figure 4.36: Left Spindle Hub

MAINTENANCE AND SERVICING

- Torque bolts to 50 Nm (37 lbf-ft) following the tightening pattern shown at right.

NOTE:

Hub removed from illustration for clarity.

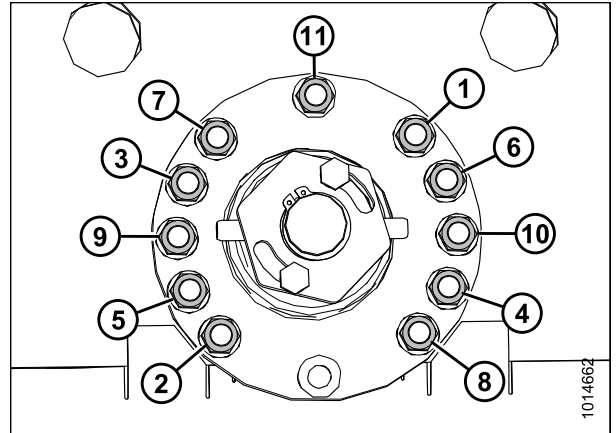


Figure 4.37: Tightening Pattern

- Install spacer plate (A).

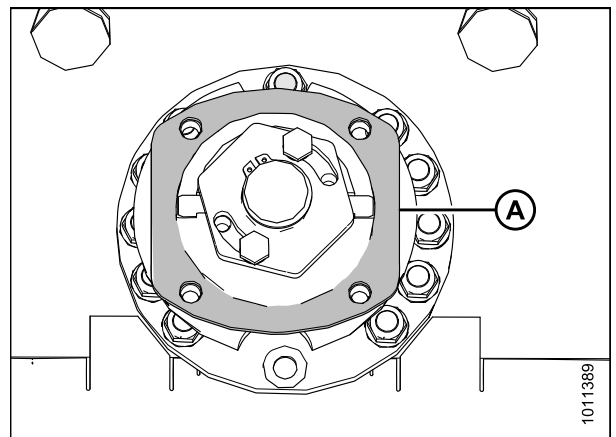


Figure 4.38: Spacer Plate

- Place a pin (or equivalent) in the front hole of the rock guard (D) to prevent disc rotation while tightening bolts.

IMPORTANT:

Blades are rotation specific. It is necessary to switch entire disc when swapping spindles.

- Position disc (A) on spindle ensuring that it is positioned at a 90° angle in relation to the adjacent discs.

NOTE:

Turn disc (A) by hand to ensure discblades do not contact each other or adjacent discs.

- Install cutter disc cap (B) and secure assembly with four M12 bolts and washers (C). Torque bolts to 85 Nm (63 lbf-ft).

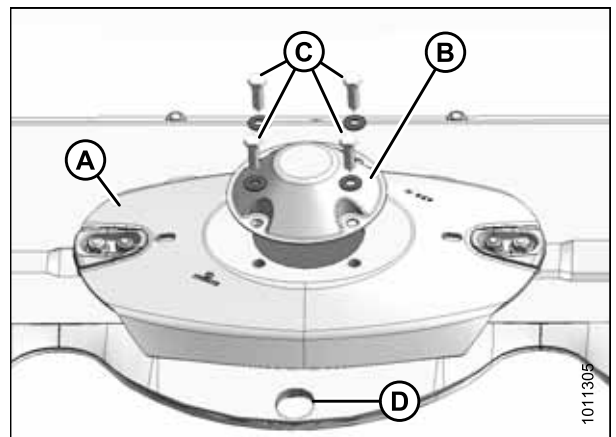


Figure 4.39: Cutterbar Disc and Cap

⚠ WARNING

Ensure cutterbar is completely clear of foreign objects. Foreign objects can be ejected with considerable force when the machine is started and may result in serious injury or machine damage.

MAINTENANCE AND SERVICING

14. Remove pin (or equivalent) from front hole of rock guard.
15. Close cutterbar doors (A). Refer to [3.7.3 Closing Cutterbar Doors](#), page 68.

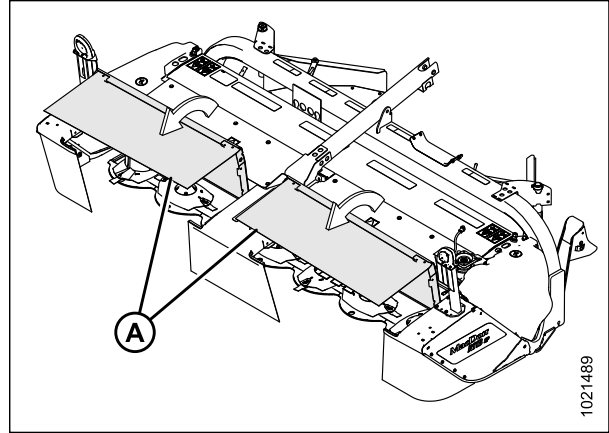


Figure 4.40: R113 SP Header

4.5.4 Replacing Disclades

Each disc has two blades (A) attached at opposite ends that are free to rotate horizontally on a specially designed shoulder bolt.

The blade (A) has two cutting edges and can be flipped over so that the blade does not need replacing as often.

The blades are **NOT** repairable and must be replaced if severely worn or damaged.

IMPORTANT:

Always use factory replacement parts.

NOTE:

Discs are equipped with 18-degree bevel-down blades; 11-degree bevel-down blades are offered as a non-standard option. Refer to R113 SP Disc Header Parts Catalog.

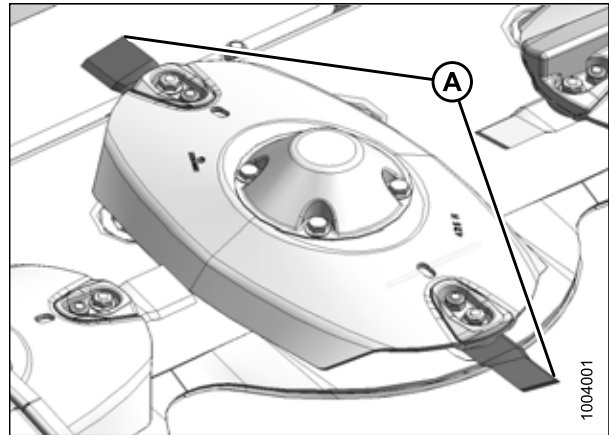


Figure 4.41: Disclades

Inspecting Disclades

DANGER

To avoid bodily injury or death from unexpected startup of machine, always stop engine and remove key from ignition before leaving operator's seat for any reason.

CAUTION

Disclades have two sharp cutting edges that can cause serious injury. Exercise caution and wear gloves when working with blades.

CAUTION

Damaged blades may damage the cutterbar and result in poor cutting performance. Replace damaged blades immediately.

CAUTION

Damaged or loose discblades or blade attachment hardware can be ejected during machine operation and may cause personal injury or machine damage.

1. Check daily that the discblades are securely attached to the disc.
2. Inspect blades for cracks, blade wear (A), or and elongated hole (B) beyond safe operating limits (C).
3. Replace blades immediately when problems are noticed.

IMPORTANT:

Blades should be replaced in pairs, or the disc may become unbalanced and cause damage to the cutterbar.

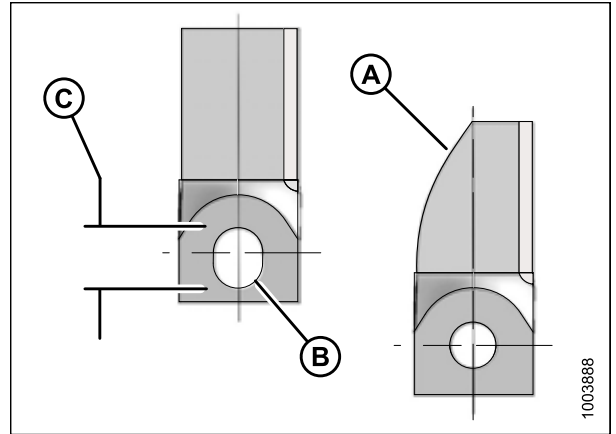


Figure 4.42: Discblades

A - Blade Wear to Center Line

B - Elongated Hole

C - Maximum Elongation 21 mm (13/16 in.)

IMPORTANT:

The discblades have cutting edges on both sides so the blades can be turned over and reused. The twist in each blade determines the cutting direction.

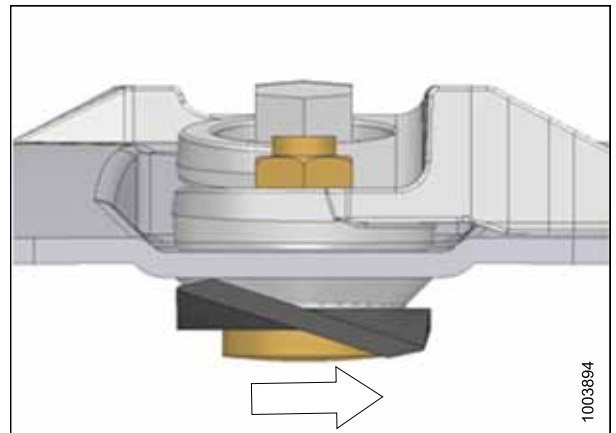


Figure 4.43: Counterclockwise Disc Rotation Direction

MAINTENANCE AND SERVICING

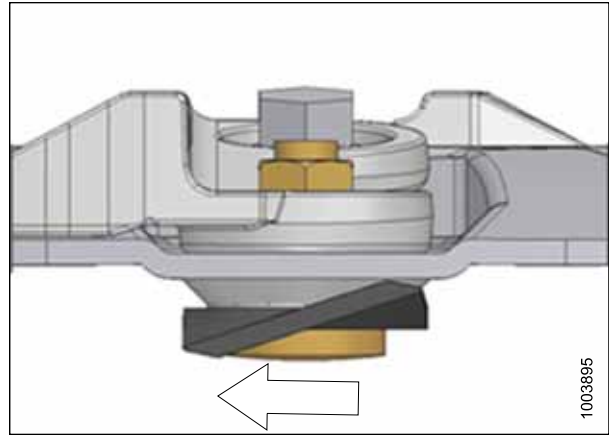


Figure 4.44: Clockwise Disc Rotation Direction

Inspecting Discblade Hardware

CAUTION

Damaged or loose discblades or blade attachment hardware can be ejected during machine operation and may cause personal injury or machine damage.

Inspect blade attachment hardware each time blades are changed. Refer to [Removing Discblades, page 122](#) and [Installing Discblades, page 123](#) for hardware replacement procedure.

MAINTENANCE AND SERVICING

1. Check and replace bolt if

- Bolt has been removed and installed five times
- Head (A) is worn flush with bearing surface of blade
- Diameter of bolt neck is worn (B) 3 mm (1/8 in.)
- Bolt is cracked (C)
- Bolt is visibly distorted (D)
- Bolt shows evidence of interference (E) with adjacent parts

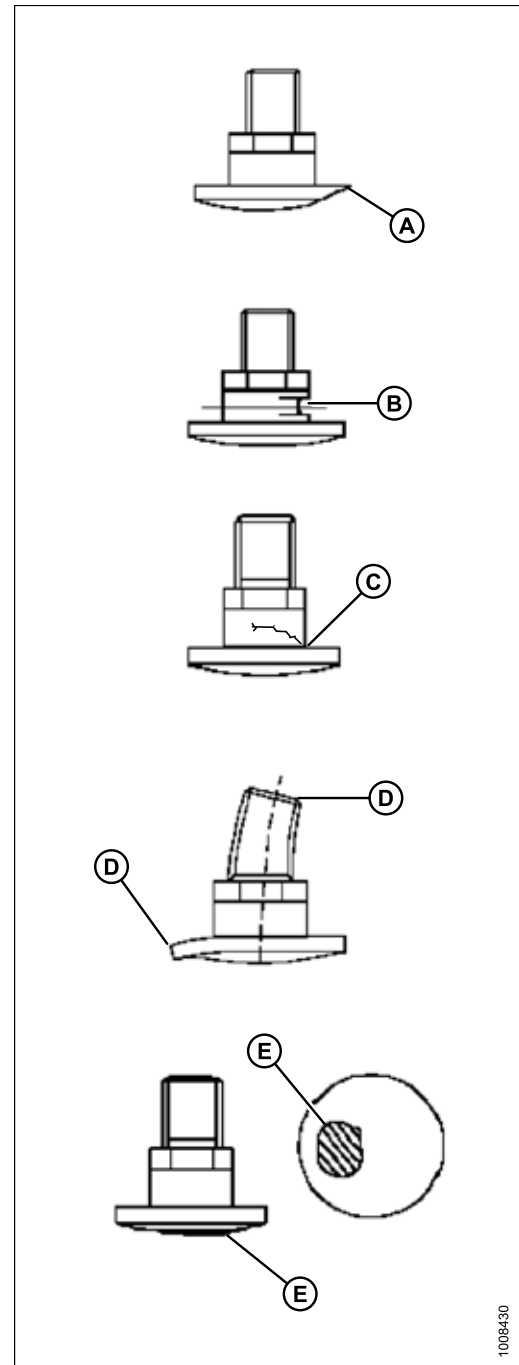


Figure 4.45: Disblade Bolts

MAINTENANCE AND SERVICING

2. Check and replace nuts under the following conditions:

- Nut has been previously installed—nuts are one-time use only
- Nut shows signs of wear (A) that is more than half the original height (B)
- Nut is cracked

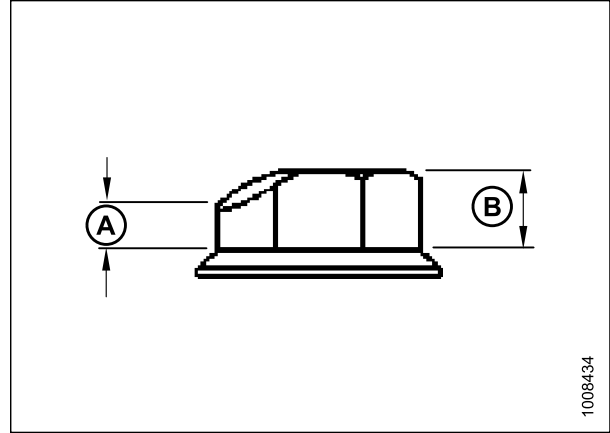


Figure 4.46: Disblade Nut

Removing Disblades

DANGER

To avoid bodily injury or death from unexpected start-up or fall of a raised machine, stop engine, remove key, and engage windrower lift cylinder safety props before going under machine for any reason.

CAUTION

Disblades have two sharp cutting edges that can cause serious injury. Exercise caution and wear gloves when working with blades.

1. Raise disc header fully, shut off engine, and remove key.
2. Engage windrower lift cylinder safety props. Refer to [3.3 Engaging and Disengaging Header Safety Props](#), page 24.
3. Open cutterbar doors (A). Refer to [3.7.1 Opening Cutterbar Doors](#), page 65.

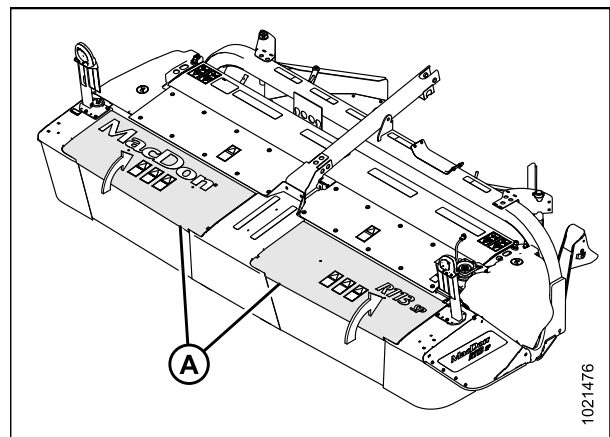


Figure 4.47: R113 SP Header

MAINTENANCE AND SERVICING

4. Rotate disc (A) so that blade (B) faces forward and lines up with hole (C) in rock guard.

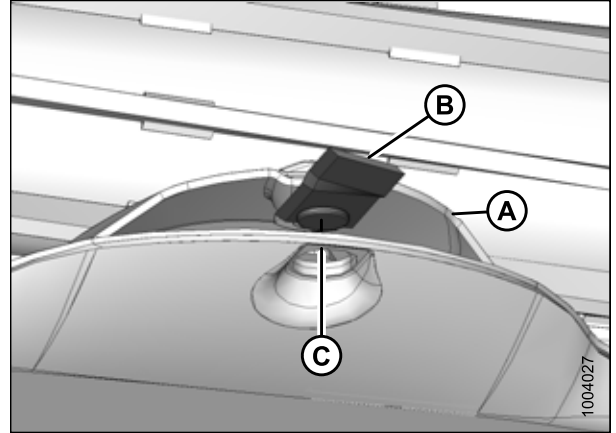


Figure 4.48: Discblade Aligned with Hole in Rock Guard

5. Place a pin (or equivalent) in the front hole of the rock guard to prevent disc rotation while loosening blade bolts.
6. Clean debris from blade attachment area.
7. Remove nut (A) and discard.

IMPORTANT:

Nuts are one-time-use only. When flipping or changing a blade, replace using a new nut only.

8. Remove shoulder bolt (B) and blade (C).

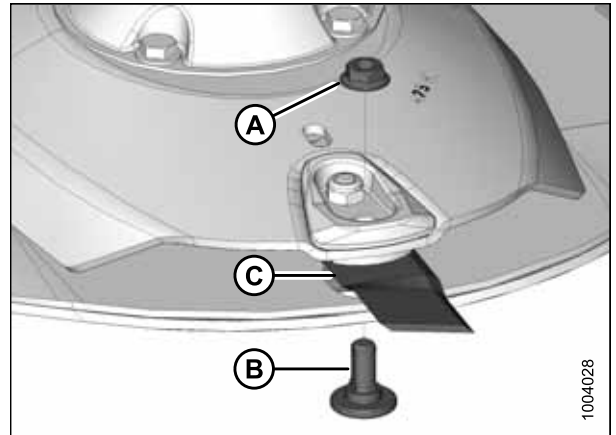


Figure 4.49: Discblade

Installing Discblades

CAUTION

Discblades have two sharp cutting edges that can cause serious injury. Exercise caution and wear gloves when working with blades.

IMPORTANT:

If you are unsure which direction the spindles rotate, refer to [3.9 Reconfiguring Cutterbar Crop Stream, page 73](#).

MAINTENANCE AND SERVICING

1. Place a pin (or equivalent) in the front hole of the rock guard to prevent disc rotation while tightening blade bolts.
2. Install new or reversed blade (A) with shoulder bolt (B) onto disc (C).

IMPORTANT:

Nuts are one-time-use only. When flipping or changing a blade, replace using a **new** nut only.

3. Install new nut (D) and torque to 125 Nm (92 lbf-ft).

WARNING

Ensure cutterbar is completely clear of foreign objects. Foreign objects can be ejected with considerable force when the machine is started and may result in serious injury or machine damage.

4. Close cutterbar doors (A). Refer to [3.7.3 Closing Cutterbar Doors](#), page 68.

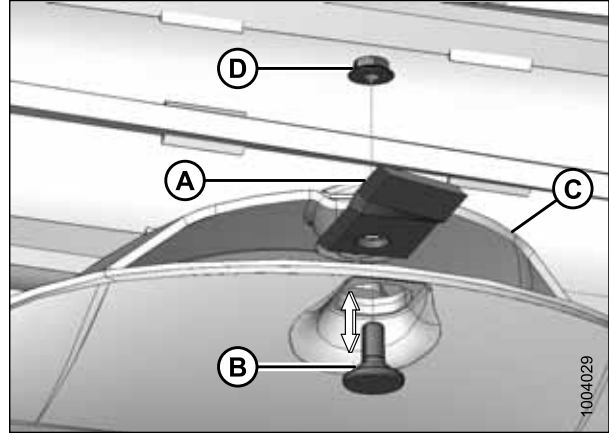


Figure 4.50: Discblade

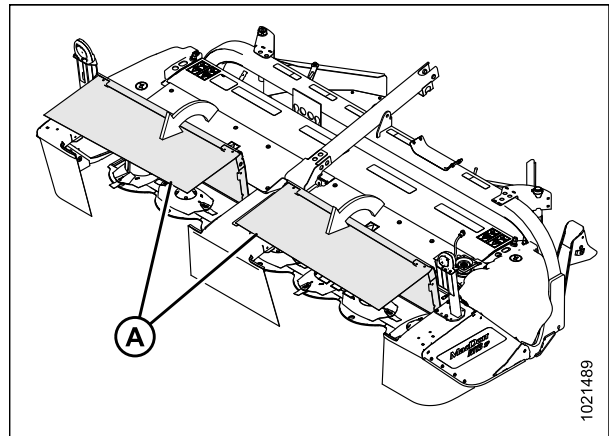


Figure 4.51: R113 SP Header

4.5.5 Replacing Accelerators

Accelerators (A) are mounted on each outboard disc and are designed to quickly move cut material off the disc and into the conditioner.

One pair of accelerators is installed at each outboard end of a 4.0 m (13 ft.) disc header.

Periodically inspect accelerators for damage and loose or missing fasteners, and replace as necessary.

IMPORTANT:

Always replace accelerators in pairs to ensure proper disc balance.

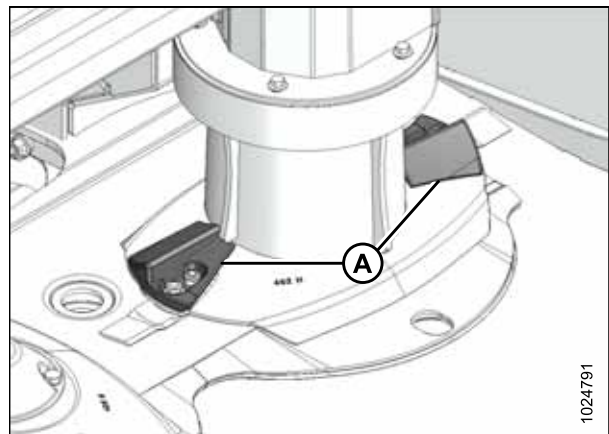


Figure 4.52: Accelerators

MAINTENANCE AND SERVICING

Inspecting Accelerators

DANGER

To avoid bodily injury or death from unexpected startup of machine, always stop engine and remove key from ignition before leaving operator's seat for any reason.

1. Raise disc header fully, stop engine, and remove key.
2. Engage windrower lift cylinder safety props. Refer to [3.3 Engaging and Disengaging Header Safety Props](#), page 24.
3. Open cutterbar doors (A). Refer to [3.7.1 Opening Cutterbar Doors](#), page 65.

CAUTION

Discblades have two sharp cutting edges that can cause serious injury. Exercise caution and wear gloves when working with blades.

4. Inspect accelerators for damage and wear, and replace if worn to 50% or more of their original height or if they are no longer effectively moving crop.
5. Check for loose or missing fasteners; tighten or replace as necessary.

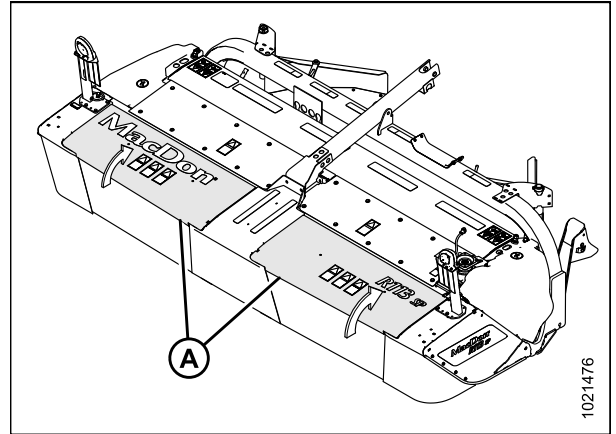


Figure 4.53: R113 SP Header

MAINTENANCE AND SERVICING

Removing Accelerators

IMPORTANT:

Always replace accelerators in pairs to ensure proper disc balance.

1. Raise disc header fully, shut off engine, and remove key.
2. Engage windrower lift cylinder safety props. Refer to [3.3 Engaging and Disengaging Header Safety Props](#), page 24.

CAUTION

Discblades have two sharp cutting edges that can cause serious injury. Exercise caution and wear gloves when working with blades.

3. Remove nut (A), flange bolt (B), and discblade (C) from disc. Discard nut.

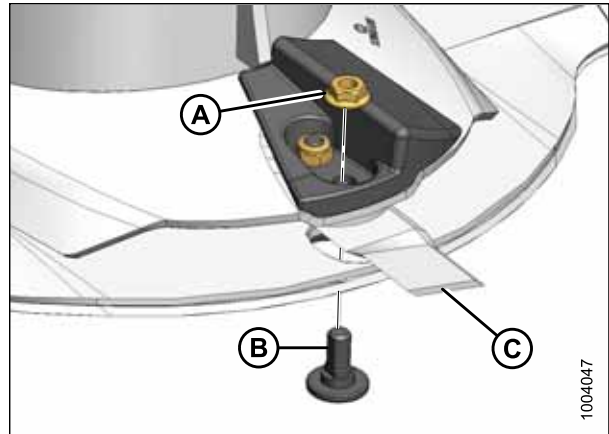


Figure 4.54: Accelerator Removal

4. Remove lock nut (A), accelerator (B), blade holder (C), and hex-socket bolt (D).
5. Repeat the removal procedure for the second accelerator.

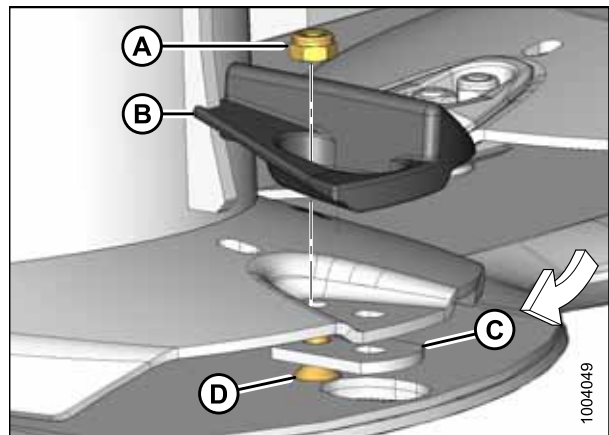


Figure 4.55: Accelerator Removal

Installing Accelerators

CAUTION

Discblades have two sharp cutting edges that can cause serious injury. Exercise caution and wear gloves when working with blades.

IMPORTANT:

Always replace accelerators in pairs to ensure proper disc balance.

1. Place a wooden block between two cutterbar discs to prevent disc rotation while tightening blade bolts.

IMPORTANT:

Accelerators can operate in a clockwise or counterclockwise direction. Verify the direction of the disc before installing accelerators.

2. Install lock nut (A), accelerator (B), blade holder (C), and hex-socket bolt (D). Do **NOT** tighten at this time.

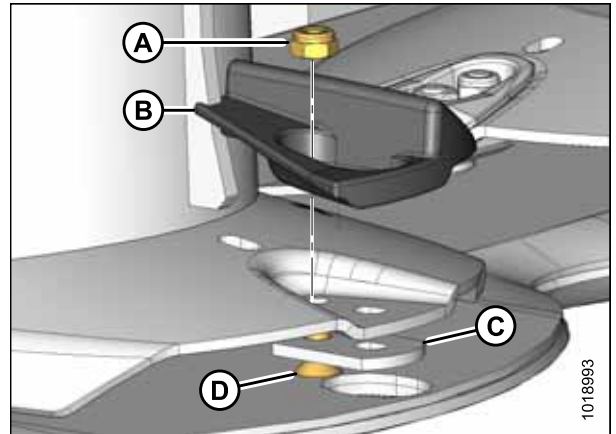


Figure 4.56: Accelerator Install

3. Install new nut (A), flange bolt (B), and discblade (C) onto disc.

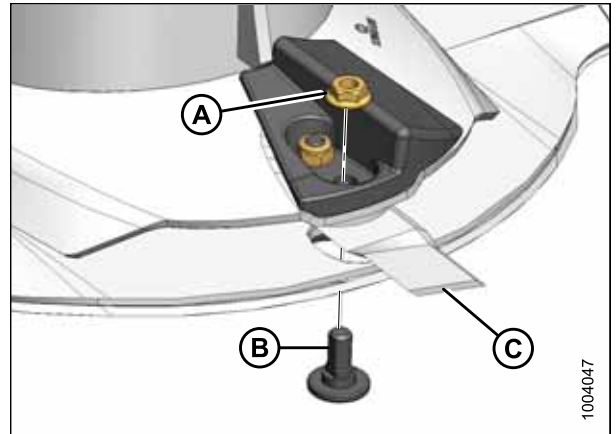


Figure 4.57: Accelerator Install

MAINTENANCE AND SERVICING

4. Torque the inside nut (A) to 58 Nm (43 lbf·ft).
5. Torque the outside nut (B) (closest to the blade) to 125 Nm (92 lbf·ft).
6. Repeat the installation procedure for the second accelerator.

WARNING

Ensure cutterbar is completely clear of foreign objects. Foreign objects can be ejected with considerable force when the machine is started and may result in serious injury or machine damage.

7. Remove wooden block.
8. Close cutterbar doors. Refer to [3.7.3 Closing Cutterbar Doors](#), page 68.

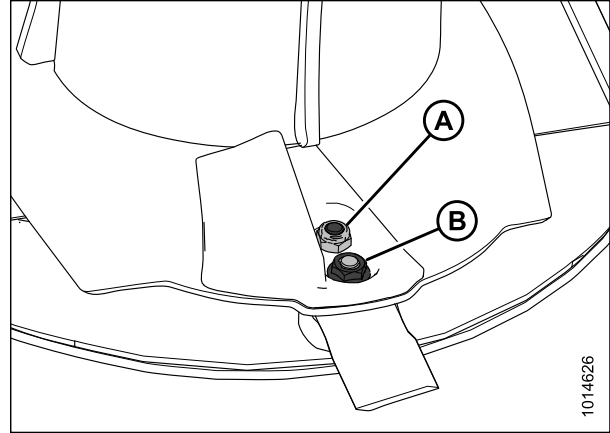


Figure 4.58: Accelerator Install

4.5.6 Replacing Rock Guards

The machine is equipped with rock guards at each cutting disc location. Rock guards prevent the cutterbar from digging into the ground and protect the disc from coming in contact with stones and other debris.

Inspecting Rock Guards

DANGER

To avoid bodily injury or death from unexpected start-up or fall of a raised machine, stop engine, remove key, and engage windrower lift cylinder safety props before going under machine for any reason.

CAUTION

Exercise caution when working around the blades. Blades are sharp and can cause serious injury. Wear gloves when handling blades.

1. Raise fully, stop engine, and remove key.
2. Engage windrower lift cylinder safety props. Refer to [3.3 Engaging and Disengaging Header Safety Props](#), page 24.
3. Inspect rock guards for wear, cracks, damage, or distortion. Replace if worn to 75% or more of their original thickness.
4. Check for loose or missing fasteners; tighten or replace fasteners as needed.

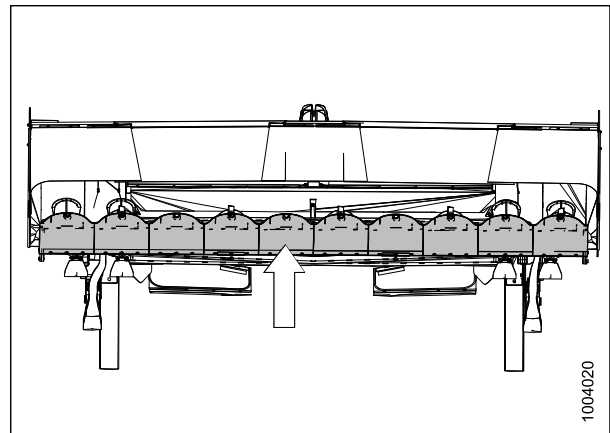


Figure 4.59: Rock Guards

MAINTENANCE AND SERVICING

Removing Rock Guards

1. Remove two hex head screws, washers, and lock nuts (A).

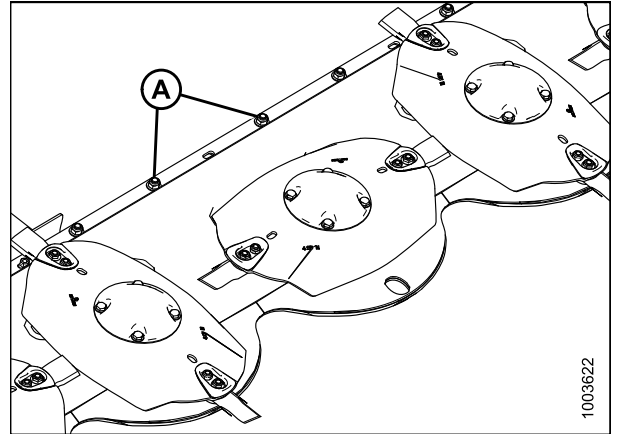


Figure 4.60: Rock Guards

2. Slide rock guard (A) forward in the direction of arrow (B) and remove.

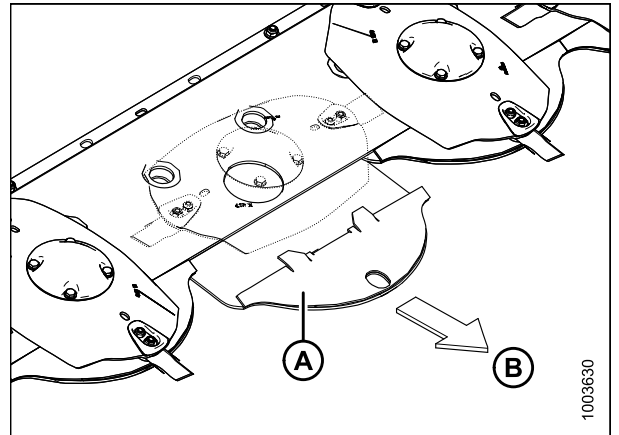


Figure 4.61: Rock Guards

Installing Rock Guards

1. Guide rock guard onto cutterbar until tabs (A) sit on top of the cutterbar while bottom back bolt holes line up.

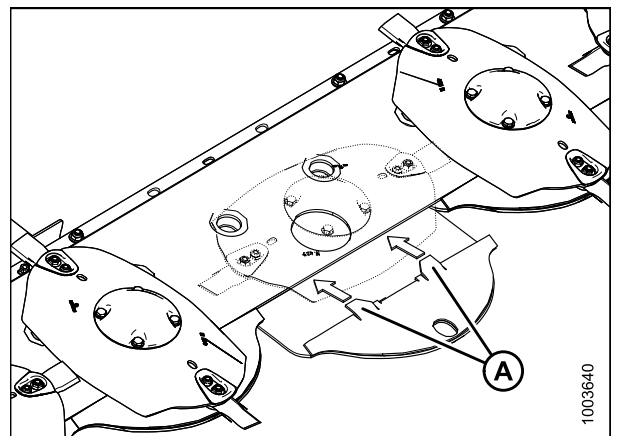


Figure 4.62: Rock Guards

MAINTENANCE AND SERVICING

2. Install two hex head screws, washers, and lock nuts (A). Torque to 68 Nm (50 lbf-ft).

NOTE:

Lock nuts (A) are installed on top.

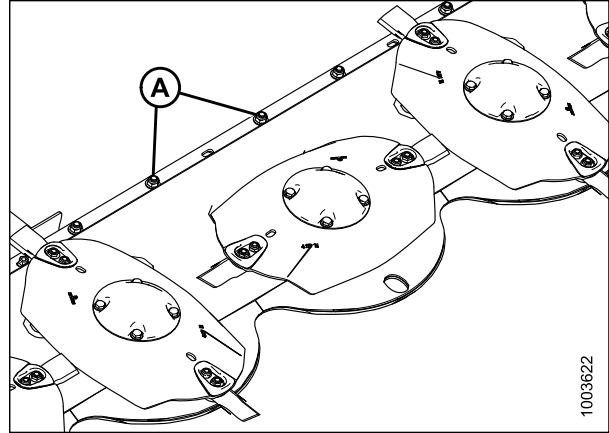


Figure 4.63: Rock Guards

4.5.7 Replacing Large Drums

Drums deliver cut material from the ends of the cutterbar and help maintain an even crop flow into the conditioner. Drums are attached to the outboard discs at each end of the cutterbar on a 4.0 m (13 ft.) disc mower.

Inspecting Drums

Inspect drums daily for signs of damage or wear.

DANGER

To avoid bodily injury or death from unexpected start-up or fall of a raised machine, stop engine, remove key, and engage windrower lift cylinder safety props before going under machine for any reason.

CAUTION

Disclades have two sharp cutting edges that can cause serious injury. Exercise caution and wear gloves when working with blades.

1. Lower disc header fully, shut off engine, and remove key.
2. Open cutterbar doors (A). Refer to [3.7.1 Opening Cutterbar Doors, page 65](#).

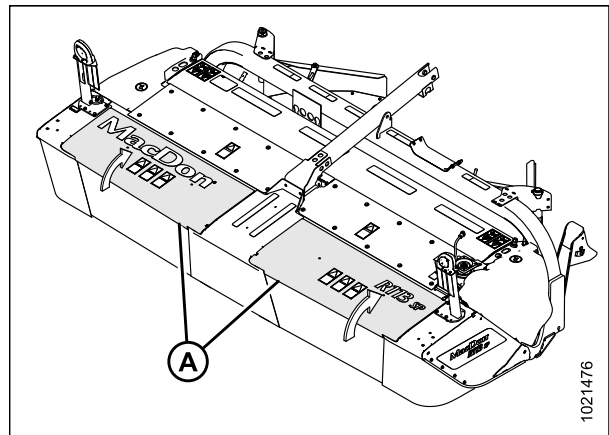


Figure 4.64: R113 SP Header

MAINTENANCE AND SERVICING

3. Inspect drums (A) and (B) for damage and wear, and replace if drums are worn at the center to 50% or more of their original thickness. Do **NOT** repair drums.
4. Examine drums for large dents. Replace dented drums to prevent an imbalance in the cutterbar.
5. Tighten or replace loose or missing fasteners.

WARNING

Ensure cutterbar is completely clear of foreign objects. Foreign objects can be ejected with considerable force when the machine is started and may result in serious injury or machine damage.

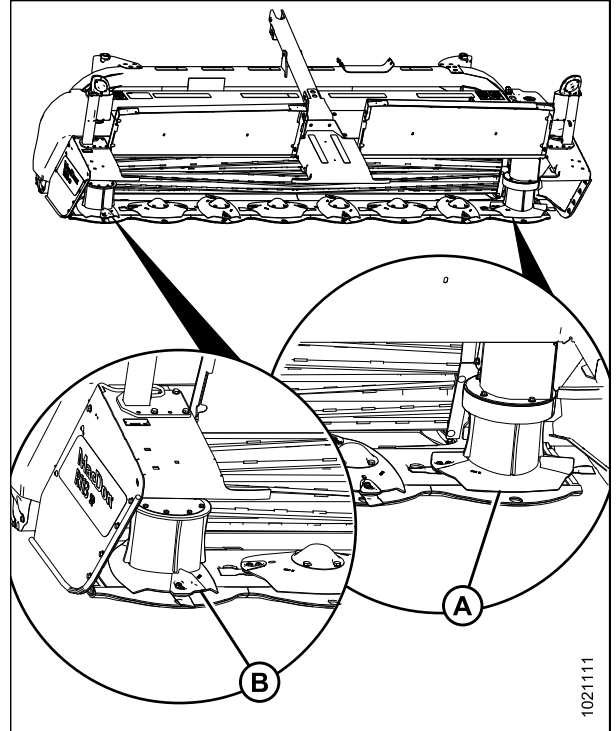


Figure 4.65: R113 SP Header

6. Close cutterbar doors (A). Refer to [3.7.3 Closing Cutterbar Doors](#), page 68.

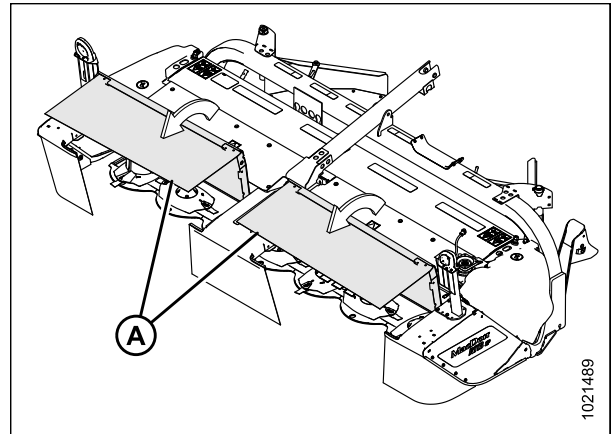


Figure 4.66: R113 SP Header

MAINTENANCE AND SERVICING

Removing Driven Drums and Driveline

DANGER

To avoid bodily injury or death from unexpected start-up or fall of a raised machine, stop engine, remove key, and engage windrower lift cylinder safety props before going under machine for any reason.

CAUTION

Exercise caution when working around the blades. Blades are sharp and can cause serious injury. Wear gloves when handling blades.

NOTE:

Illustrations show left side drum and driveline—right side drum and driveline are similar.

1. Open cutterbar doors (A). Refer to [3.7.1 Opening Cutterbar Doors](#), page 65.

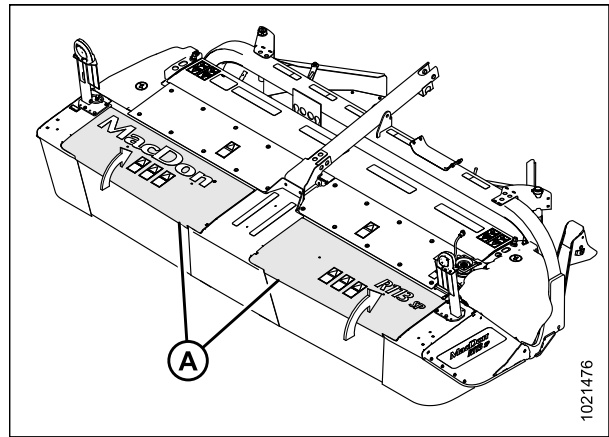


Figure 4.67: R113 SP Header

2. Remove four M10 hex flange head bolts (A) and remove vertical drive shield (B).

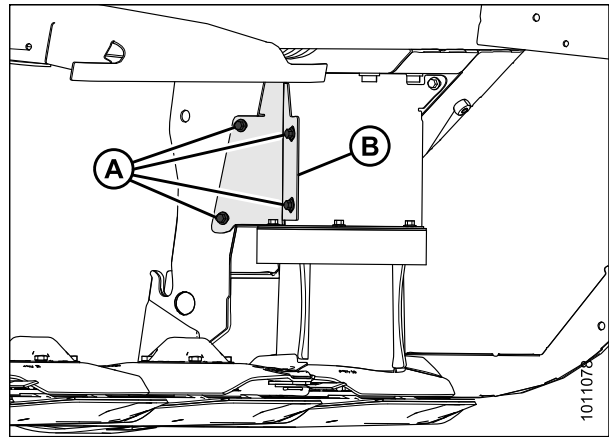


Figure 4.68: Driven Drum

MAINTENANCE AND SERVICING

3. Remove two M10 hex flange head bolts (A) and remove cover plate (B).

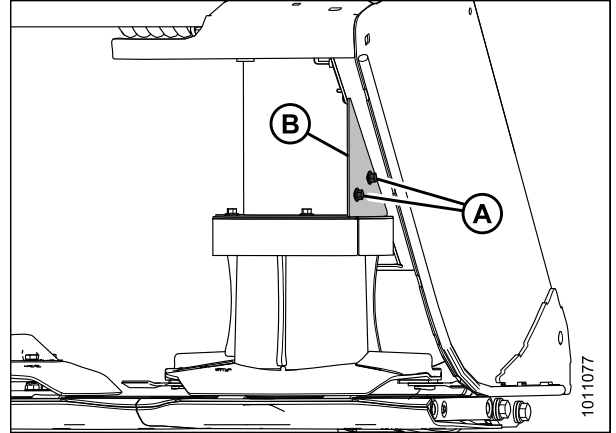


Figure 4.69: Driven Drum

4. Remove four M10 hex flange head bolts (A), and remove top plate (B) and drum top (C).

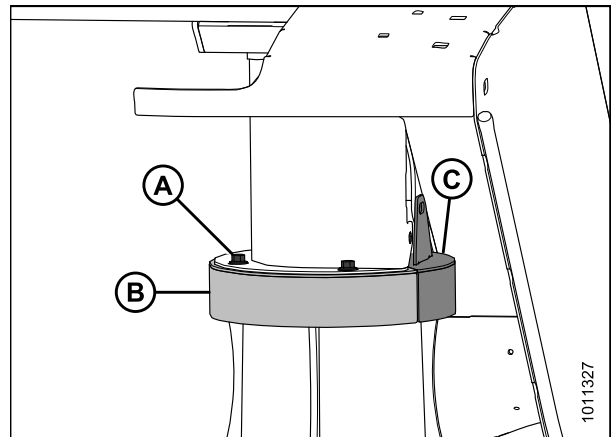


Figure 4.70: Driven Drum

5. Remove one 20 mm M10 hex flange head bolt (A), two 16 mm M10 hex flange head bolts (B), and vertical shield (C).

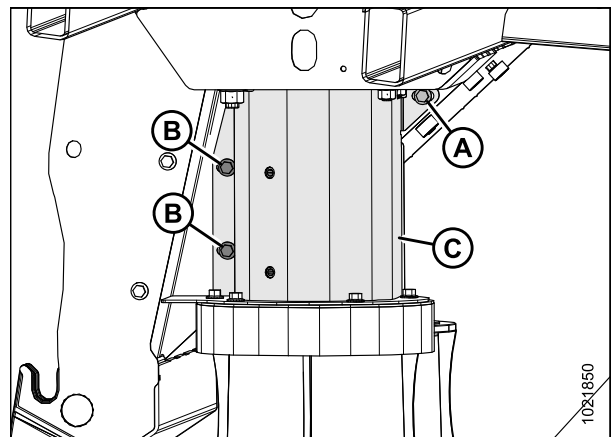


Figure 4.71: Driven Drum

MAINTENANCE AND SERVICING

- Remove eight M8 hex flange head bolts (A), and remove two drum shields (B).

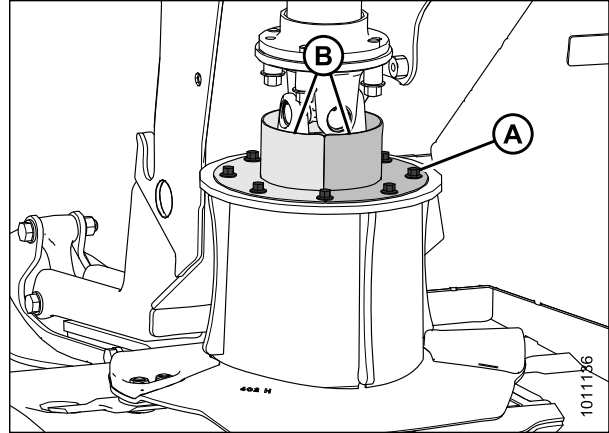


Figure 4.72: Driven Drum

- Remove four M12 hex flange head bolts (A) and spacers securing driveline assembly (B) to hub drive (C).

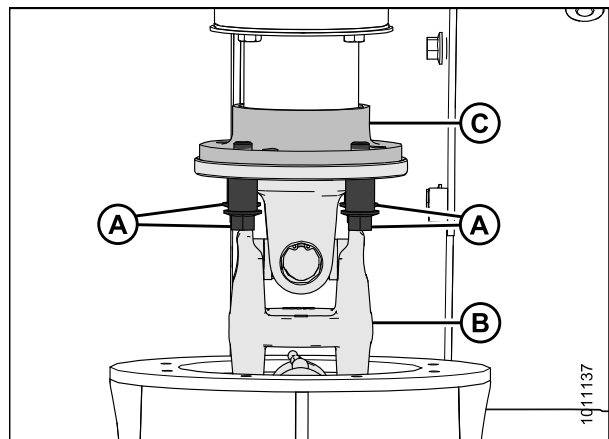


Figure 4.73: Driven Drum

- Slide driveline (A) downwards, tilt to the side, and pull driveline up and out of drum.

NOTE:

For clarity, illustration shows cutaway view of drum and tube shield.

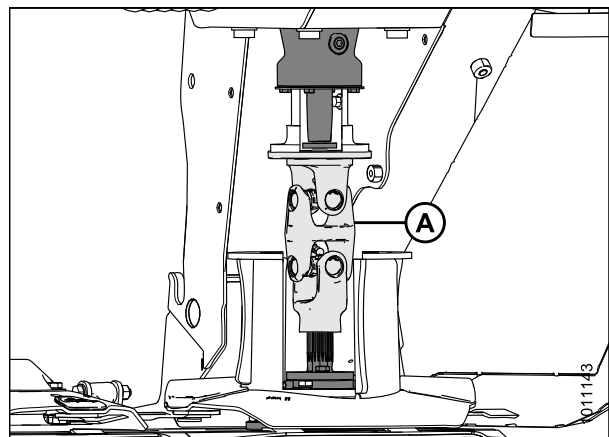


Figure 4.74: Driven Drum

MAINTENANCE AND SERVICING

- Look down into the drum, and use a 305 mm (12 in.) extension and 18 mm deep socket to remove the four M12 bolts (A) and washers holding the drum disc in place.
- Remove drum disc assembly.

Figure 4.75: 4.9 m (16 Ft.) Driven Drum

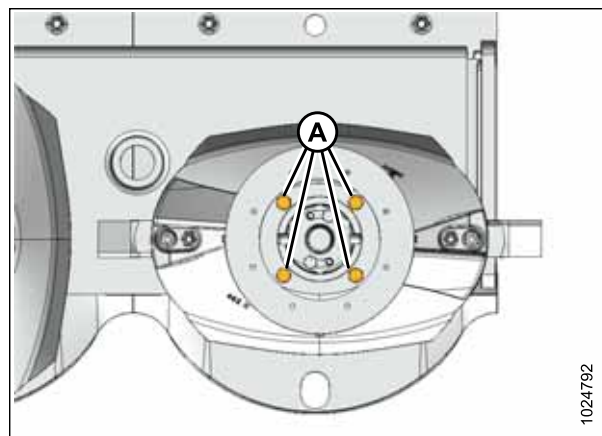


Figure 4.76: 4.0 m (13 Ft.) Driven Drum

Installing Driven Drums and Driveline

DANGER

To avoid bodily injury or death from unexpected start-up or fall of a raised machine, stop engine, remove key, and engage windrower lift cylinder safety props before going under machine for any reason.

CAUTION

Exercise caution when working around the blades. Blades are sharp and can cause serious injury. Wear gloves when handling blades.

NOTE:

Illustrations show left side drum and driveline—right side drum and driveline are similar.

- Position the drum disc assembly as shown.

NOTE:

Disc to orientated so that blades are at 90 degrees (1/4 turn) to the adjacent disc.

- Use a 305 mm (12 in.) extension and 16 mm deep socket to install the four M12 bolts (A) and washers that hold the drum disc in place. Torque to 85 Nm (63 lbf-ft).

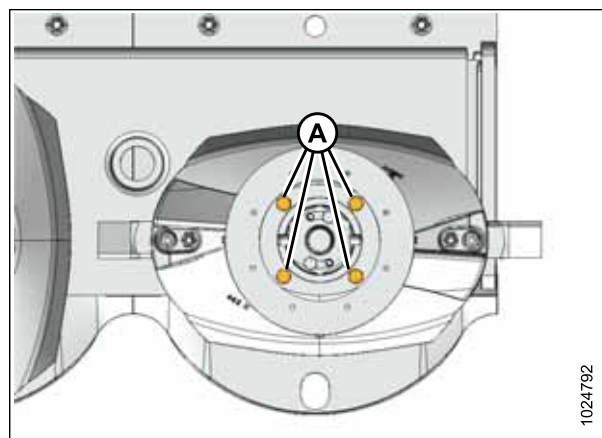


Figure 4.77: Drum Disc

MAINTENANCE AND SERVICING

- Lubricate spindle splines (A). For specifications, refer to the inside back cover of this manual.

NOTE:

The driveline U-joints were greased at the factory and considered to be lubricated for life. No further lubrication is required.

NOTE:

For clarity, illustration shows cutaway view of drum and tube shield.

- Insert driveline (B) at an angle and guide it past hub drive (C) and drum (D).
- Insert splined spindle end (A) into splined bore of driveline (B).
- Place a bead of medium-strength threadlocker (Loctite® 243 or equivalent) around threads, and install four M12 hex flange head bolts (A) and spacers to secure driveline assembly (B) to hub drive (C). Torque bolts to 100 Nm (74 lbf-ft).

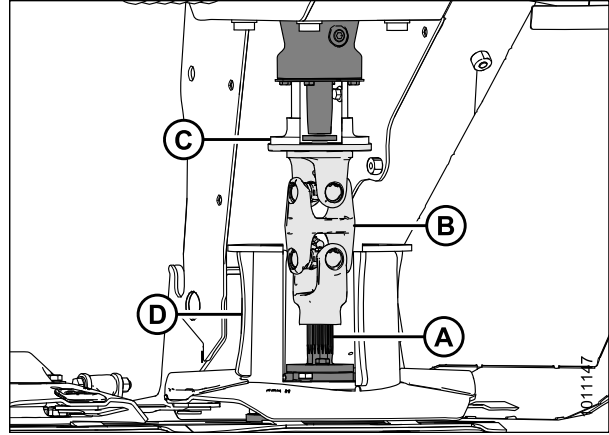


Figure 4.78: Driven Drum

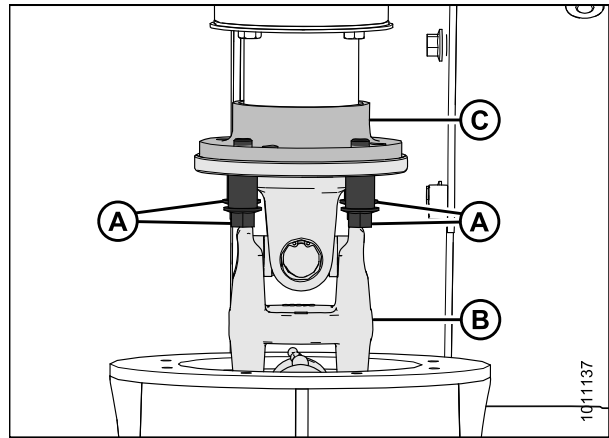


Figure 4.79: Driven Drum

- Position two drum shields (B) as shown. Apply a bead of medium-strength threadlocker (Loctite® 243 or equivalent) around threads, and use eight M8 hex flange head bolts (A) to secure drum shields in place. Torque to 29 Nm (21 lbf-ft).

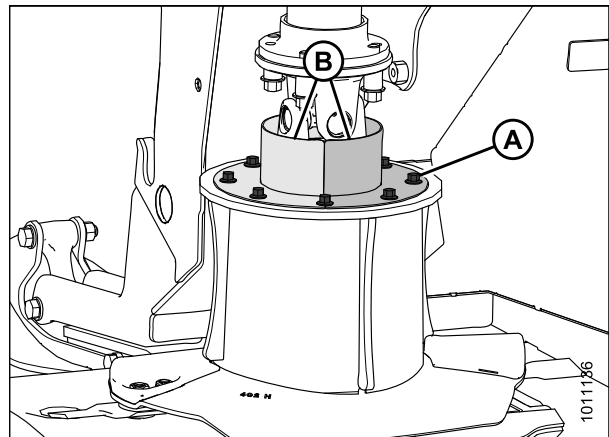


Figure 4.80: Driven Drum

MAINTENANCE AND SERVICING

- Position vertical shield (A) as shown. Apply a bead of medium-strength threadlocker (Loctite® 243 or equivalent) around threads, and then use one M10 hex flange head bolt (B) and two M10 hex flange head bolts (C) to secure vertical shield in place. Torque to 57.5 Nm (42 lbf-ft).

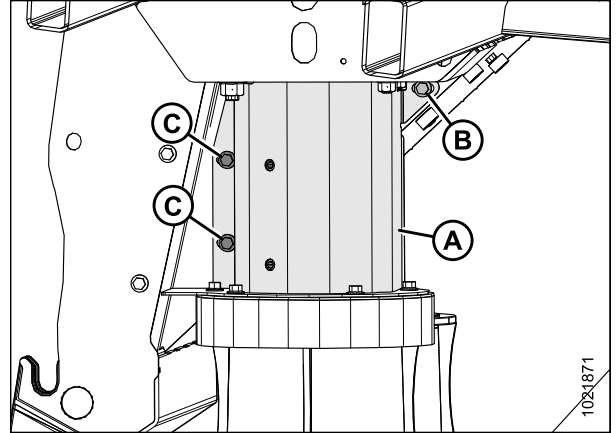


Figure 4.81: Driven Drum

- Position top plate (B) and drum top (C) onto drum as shown. Apply a bead of medium-strength threadlocker (Loctite® 243 or equivalent) around threads, and then use four M10 hex flange head bolts (A) to secure the top plate and drum top in place.

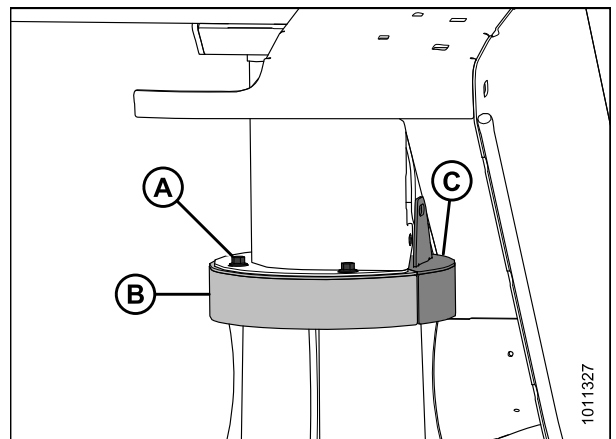


Figure 4.82: Driven Drum

MAINTENANCE AND SERVICING

10. Apply a bead of medium-strength threadlocker (Loctite® 243 or equivalent) around threads, and then install top M10 hex flange head bolt (B) through cover plate (A) and top plate (C).
11. Apply a bead of medium-strength threadlocker (Loctite® 243 or equivalent) around threads, and then install lower M10 hex flange head bolt (D) through cover plate (A) and vertical shield (E).
12. Tighten bolts (B) and (D).

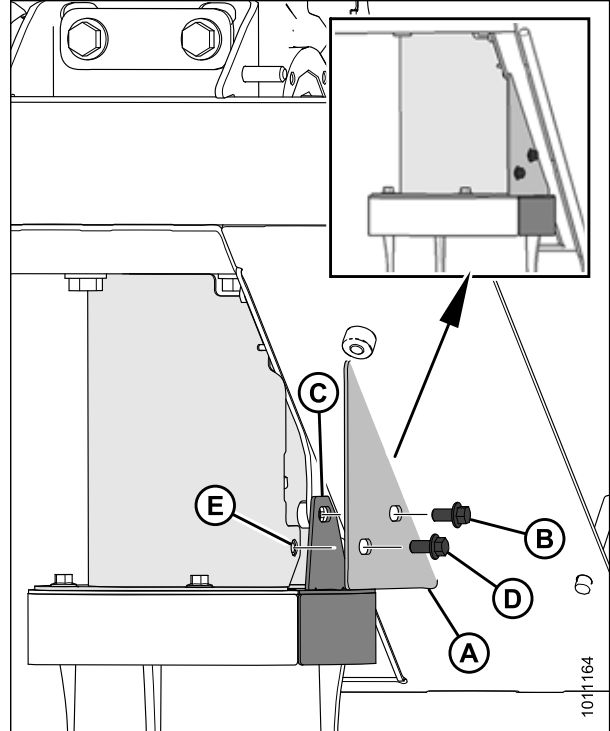


Figure 4.83: Driven Drum

13. Position vertical drive shield (B) as shown at right. Apply a bead of medium-strength threadlocker (Loctite® 243 or equivalent) around threads, and then use four M10 hex flange head bolts (A) to secure vertical drive shield in place.

WARNING

Ensure cutterbar is completely clear of foreign objects. Foreign objects can be ejected with considerable force when the machine is started and may result in serious injury or machine damage.

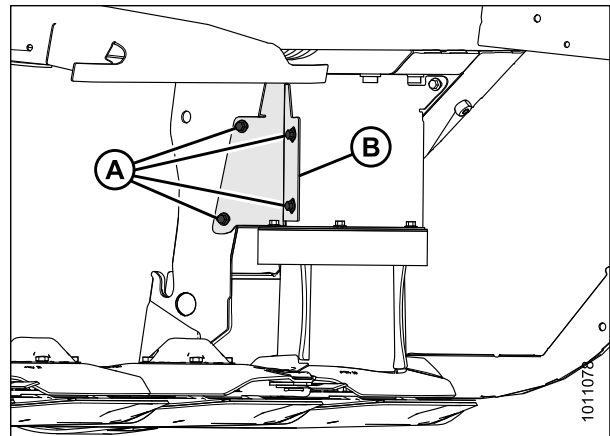


Figure 4.84: Driven Drum

MAINTENANCE AND SERVICING

14. Close cutterbar doors. Refer to [3.7.3 Closing Cutterbar Doors](#), page 68.

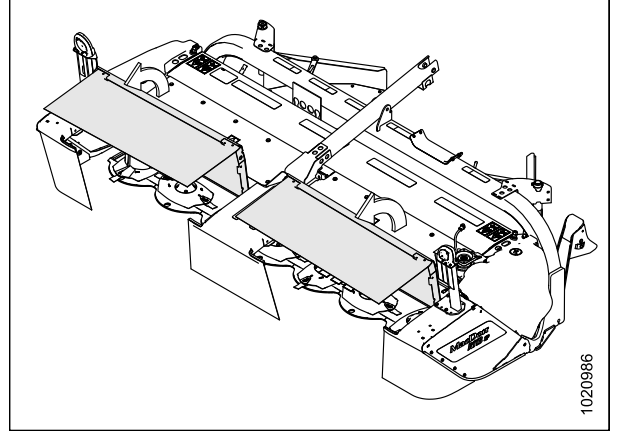


Figure 4.85: R113 SP Header

Removing Non-Driven Drums

DANGER

To avoid bodily injury or death from unexpected start-up or fall of a raised machine, stop engine, remove key, and engage windrower lift cylinder safety props before going under machine for any reason.

CAUTION

Exercise caution when working around the blades. Blades are sharp and can cause serious injury. Wear gloves when handling blades.

1. Open cutterbar doors (A). Refer to [3.7.1 Opening Cutterbar Doors](#), page 65.

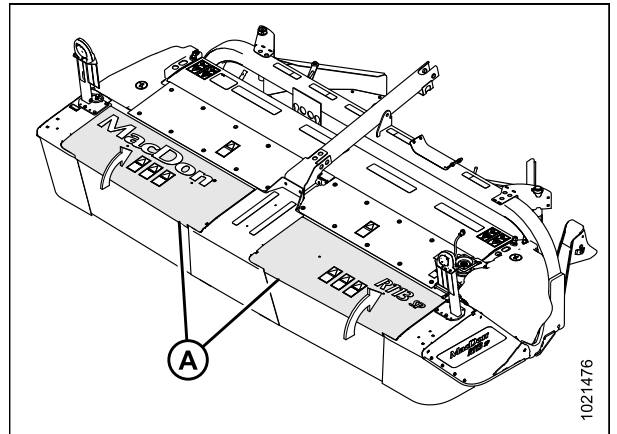


Figure 4.86: R113 SP Header

MAINTENANCE AND SERVICING

2. Place a wooden block between two cutterbar discs to prevent disc rotation while loosening blade bolts.
3. Remove eight M8 bolts (A) and washers securing the cover (B) to the non-driven drum, and remove cover.

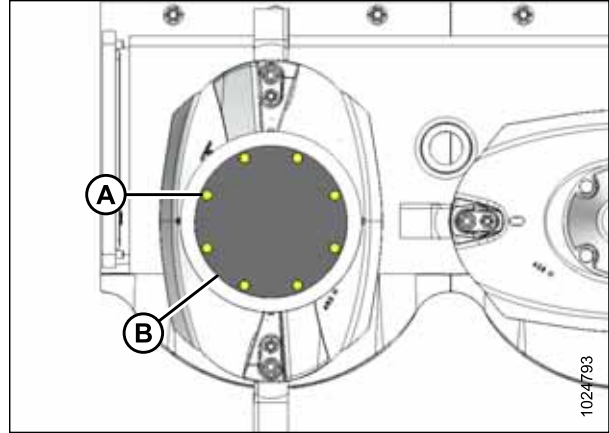


Figure 4.87: Non-Driven Drum

4. Remove the four M10 bolts (A) inside the drum using a 305 mm (12 in.) extension and 16 mm socket.
5. Remove wooden block.
6. Remove drum/disc (B).

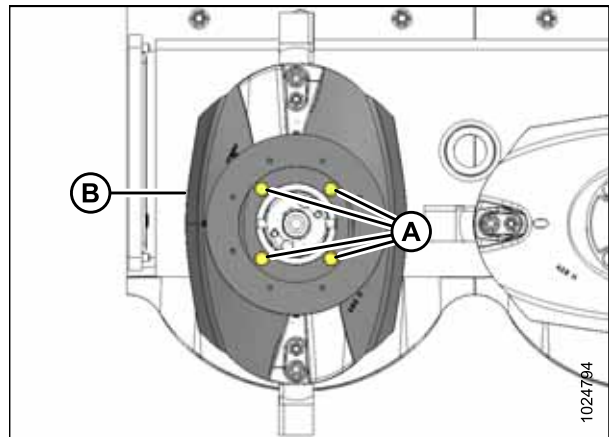


Figure 4.88: Non-Driven Drum

Installing Non-Driven Drums

DANGER

To avoid bodily injury or death from unexpected start-up or fall of a raised machine, stop engine, remove key, and engage windrower lift cylinder safety props before going under machine for any reason.

CAUTION

Exercise caution when working around the blades. Blades are sharp and can cause serious injury. Wear gloves when handling blades.

MAINTENANCE AND SERVICING

1. Ensure spacer (A) is on spindle.

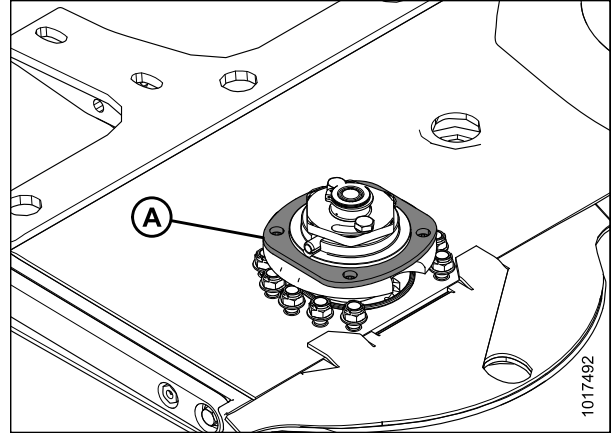


Figure 4.89: Non-Driven Spindle

2. Position the non-driven drum/disc (B) onto spindle as shown.
3. Use a 305 mm (12 in.) extension and 16 mm deep socket to install the four M10 bolts (A) and washers securing drum/disc to spindle. Torque to 55 Nm (40 lbf-ft).

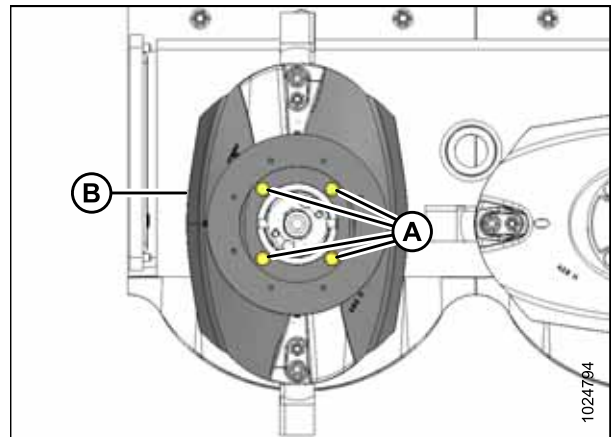


Figure 4.90: Non-Driven Drum

4. Install eight M8 bolts (A) and washers to secure cover to non-driven drum, and torque to 28 Nm (20 lbf-ft).

WARNING

Ensure cutterbar is completely clear of foreign objects. Foreign objects can be ejected with considerable force when the machine is started and may result in serious injury or machine damage.

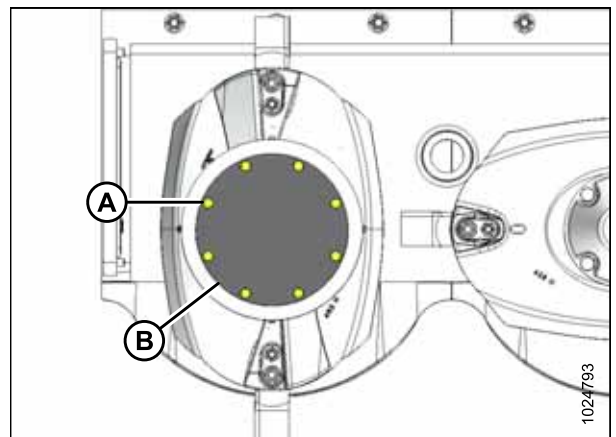


Figure 4.91: Non-Driven Drum

MAINTENANCE AND SERVICING

5. Close cutterbar doors (A). Refer to [3.7.3 Closing Cutterbar Doors](#), page 68.

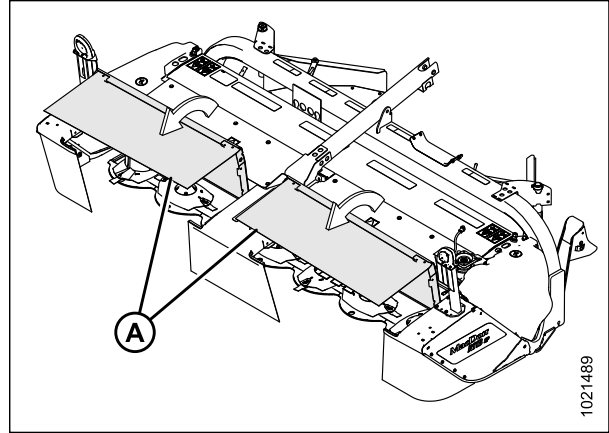


Figure 4.92: R113 SP Header

4.5.8 Replacing Cutterbar Spindle Shear Pin

To prevent damage to the cutterbar and drive systems, each disc is attached to a spindle containing a shear pin (A).

If the disc contacts a large object, such as a stone or stump, the pin will shear and the disc will stop rotating and move upwards while remaining attached to the spindle with a snap ring (B).

IMPORTANT:

Ensure correct orientation of the shear pins during replacement.

- Spindles that rotate clockwise have right-leading threading.
- Spindles that rotate counterclockwise have left-leading threading.

NOTE:

Once spindle has risen due to shear pin failure, the spindle's bearing will become unloaded. Do **NOT** replace the spindle due to excessive play. Check play after replacing damaged shear pins.

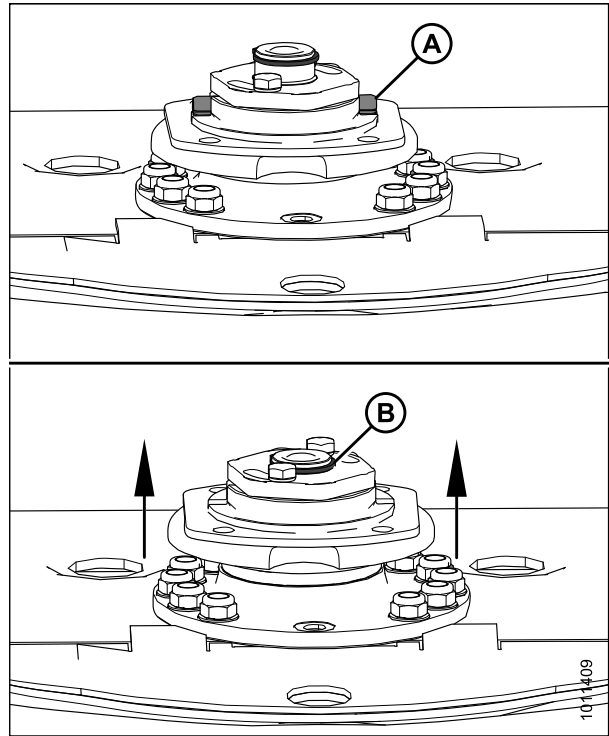


Figure 4.93: Cutterbar Spindles

Removing Cutterbar Spindle Shear Pin

DANGER

To avoid bodily injury or death from unexpected startup of machine, always stop engine and remove key from ignition before leaving operator's seat for any reason.

CAUTION

Disclades have two sharp cutting edges that can cause serious injury. Exercise caution and wear gloves when working with blades.

1. Raise disc header fully, shut off engine, and remove key.
2. Engage windrower lift safety props. Refer to [3.3 Engaging and Disengaging Header Safety Props](#), page 24.
3. Open cutterbar doors (A). Refer to [3.7.1 Opening Cutterbar Doors](#), page 65.
4. Clean debris from work area.

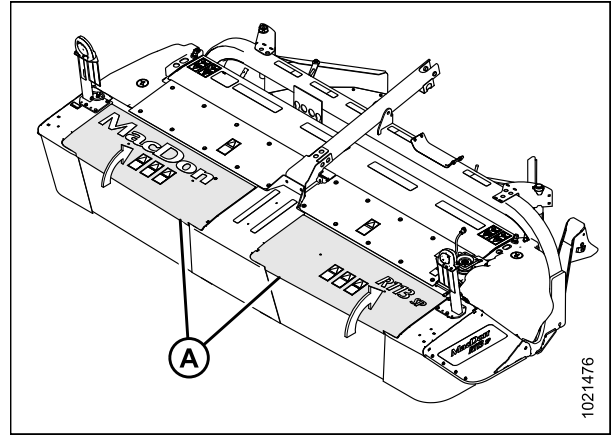


Figure 4.94: R113 SP Header

5. Depending on the type of disc with a broken shear pin, refer to the applicable disc removal procedure.
 - To remove cutterbar disc (A). Refer to [Removing Cutterbar Discs](#), page 107.
 - To remove driven drum (B). Refer to [Removing Driven Drums and Driveline](#), page 132.
 - To remove non-driven drum (C). Refer to [Removing Non-Driven Drums](#), page 139.

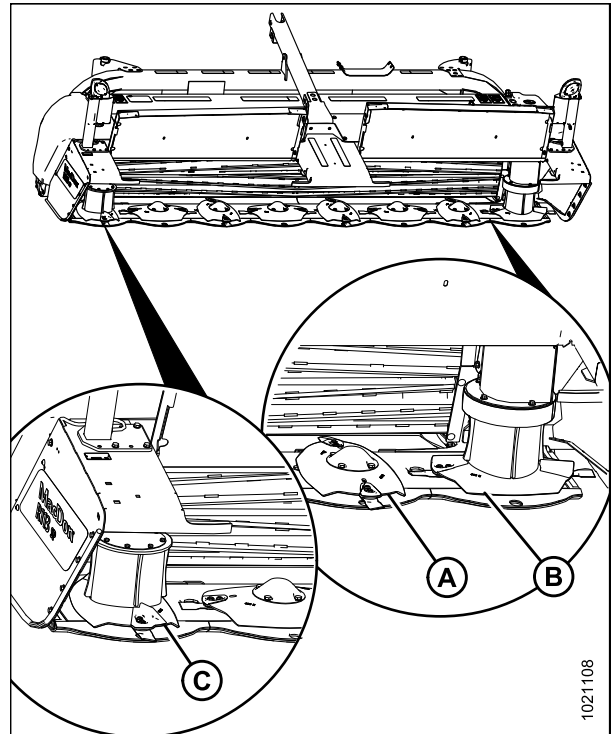


Figure 4.95: R113 SP Header

MAINTENANCE AND SERVICING

6. Remove retaining ring (A).

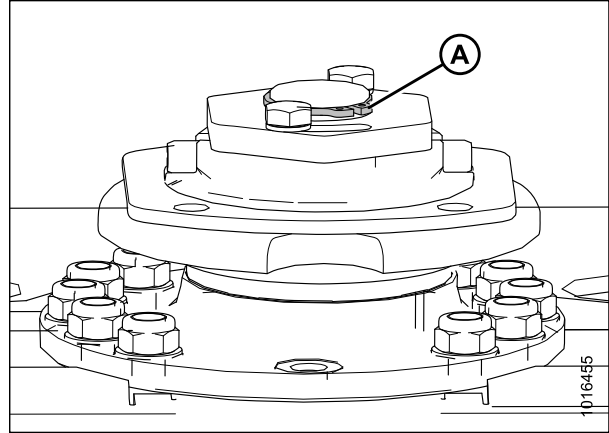


Figure 4.96: Cutterbar Spindle

7. Remove M12 bolt and remove safecut spindle-nut wrench (A) from left side shield plate.

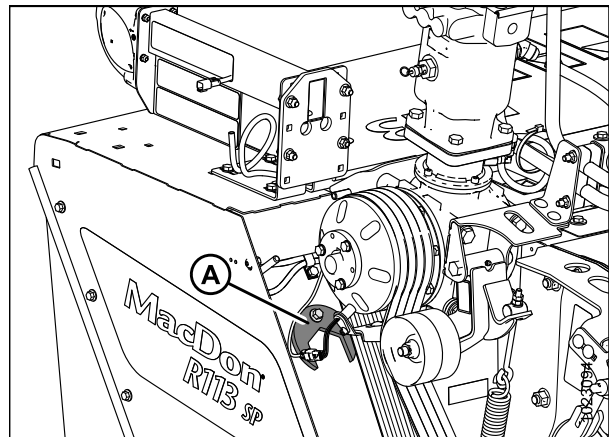


Figure 4.97: Safecut Spindle-Nut Wrench Location

IMPORTANT:

- Spindles that rotate clockwise have right-leading threading and a smooth top on the spindle gear shaft (A).
- Spindles that rotate counterclockwise have left-leading threading and machined grooves on the spindle gear shaft (B) and nut (C).
- If spindle position in cutterbar has changed, the rotational direction of that spindle **MUST** remain the same (that is, a clockwise spindle must maintain its clockwise rotation).
- Failure to maintain rotation pattern can result in damage to spindle and/or cutterbar components.

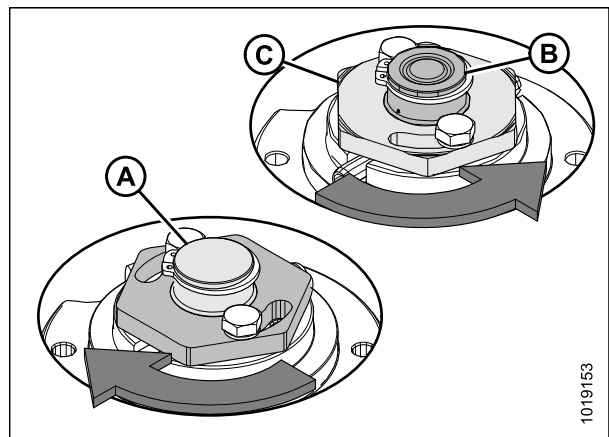


Figure 4.98: Cutterbar Spindles

MAINTENANCE AND SERVICING

- Remove two M10 bolts and washers (A).

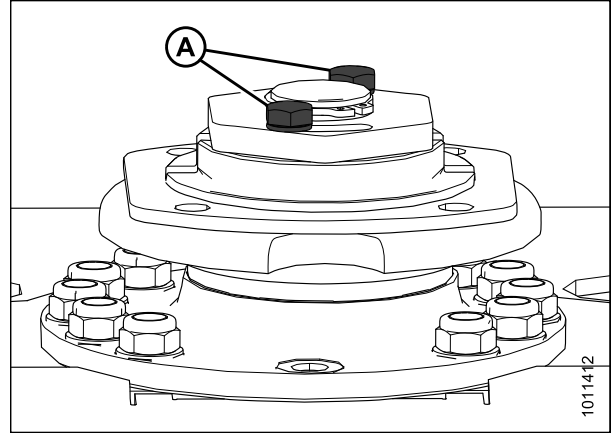


Figure 4.99: Cutterbar Spindle

- Use the safecut spindle-nut wrench and remove nut (A).

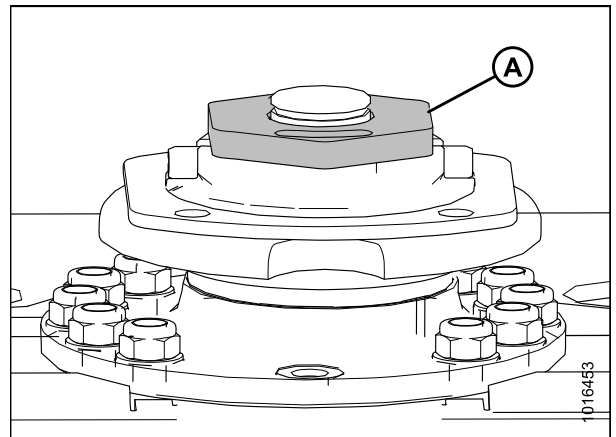


Figure 4.100: Cutterbar Spindle

- Remove shear pins (B). Do **NOT** damage the pin bore on the pinion.
- Remove the hub (A).
- Check the nut and hub for damage. Replace if necessary.

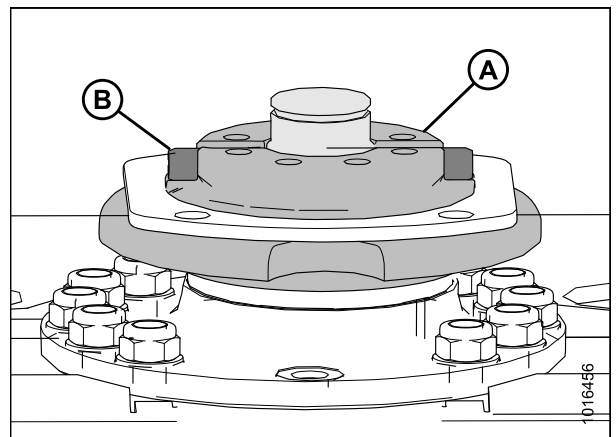


Figure 4.101: Cutterbar Spindle

Installing Cutterbar Spindle Shear Pin

DANGER

To avoid bodily injury or death from unexpected startup of machine, always stop engine and remove key from ignition before leaving operator's seat for any reason.

CAUTION

Disclades have two sharp cutting edges that can cause serious injury. Exercise caution and wear gloves when working with blades.

1. Fill the space above the bearing with grease.
2. Place the hub (A) on the spindle (C).
3. Install shear pins (B).

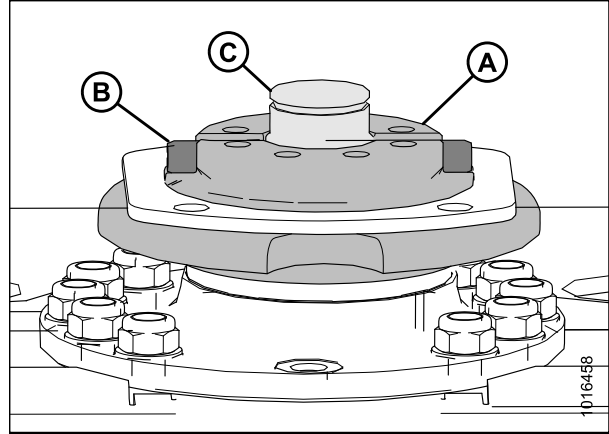


Figure 4.102: Cutterbar Spindle

4. Observe orientation of groove in shear pin (A).

IMPORTANT:

The correct shear pin orientation is critical. Both shear pin grooves (A) must be facing the same direction and parallel to the cutterbar.

NOTE:

Shaft removed from illustration for clarity.

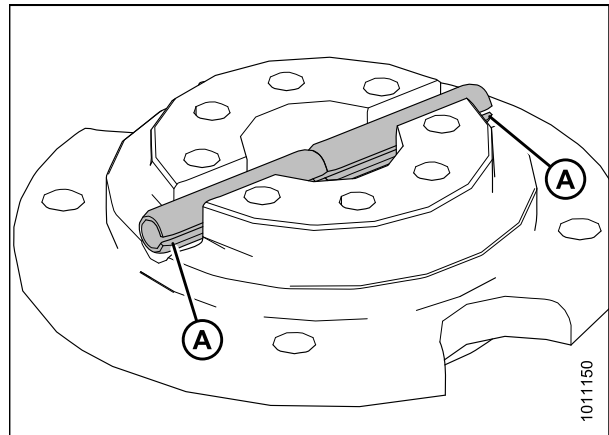


Figure 4.103: Shear Pin Orientation

5. Install nut (A).

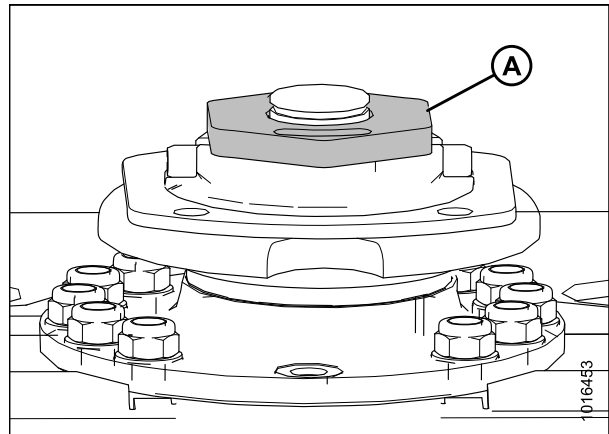


Figure 4.104: Cutterbar Spindle

MAINTENANCE AND SERVICING

6. Attach the safecut spindle-nut wrench (B) 90 degrees (D) to the torque wrench (A).

IMPORTANT:

If this is not done, the proper torque will **NOT** be applied to the nut.

7. Locate the safecut spindle-nut wrench (B) on spindle nut (C) and torque to 300 Nm (221 lbf-ft).
8. Return safecut spindle-nut wrench to left side shield plate.

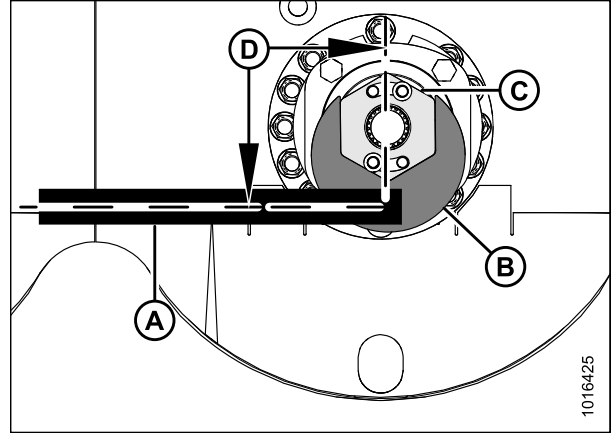


Figure 4.105: Spindle Nut

9. Inspect the threads of the two M10 bolts (A) and replace if damaged.
10. Install two M10 bolts (A) and washers. Torque to 55 Nm (40 lbf-ft).

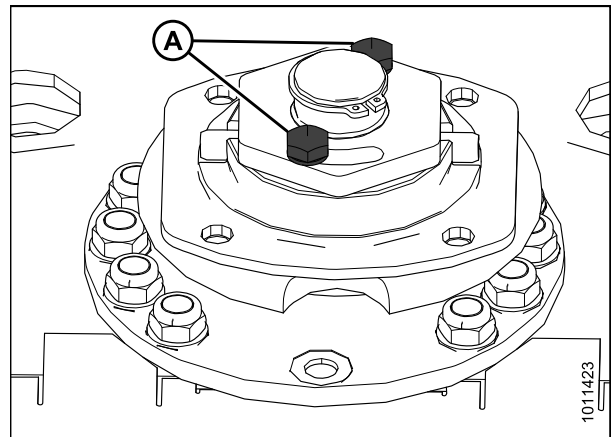


Figure 4.106: Cutterbar Spindle

11. Install retaining ring (A).

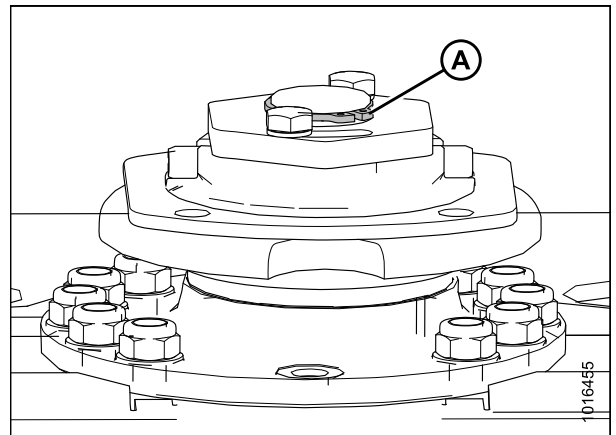


Figure 4.107: Cutterbar Spindle

MAINTENANCE AND SERVICING

12. Depending on the type of disc with the new shear pin, refer to the applicable disc installation procedure.

- Install cutterbar disc (A). Refer to *Installing Cutterbar Discs*, page 108.
- Install driven drum (B). Refer to *Installing Driven Drums and Driveline*, page 135.
- Install non-driven drum (C). Refer to *Installing Non-Driven Drums*, page 140.

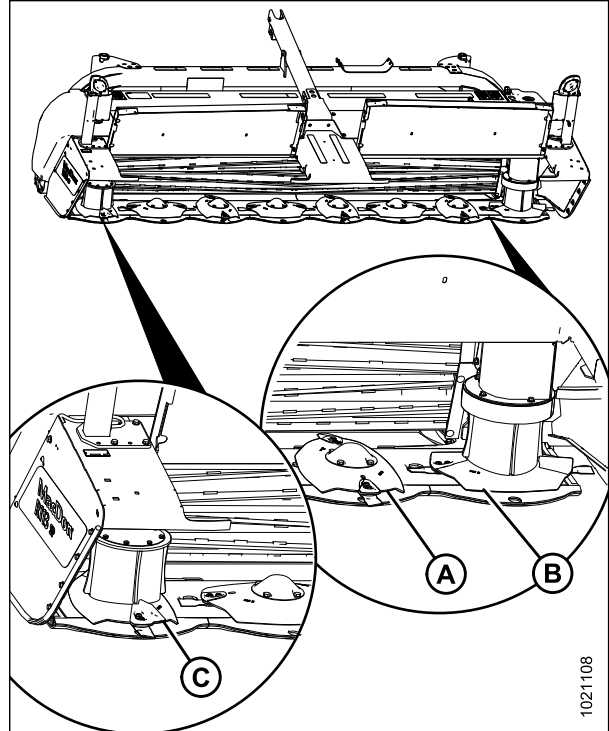


Figure 4.108: R113 SP Header

WARNING

Ensure cutterbar is completely clear of foreign objects. Foreign objects can be ejected with considerable force when the machine is started and may result in serious injury or machine damage.

13. Close cutterbar doors (A). Refer to *3.7.3 Closing Cutterbar Doors*, page 68.

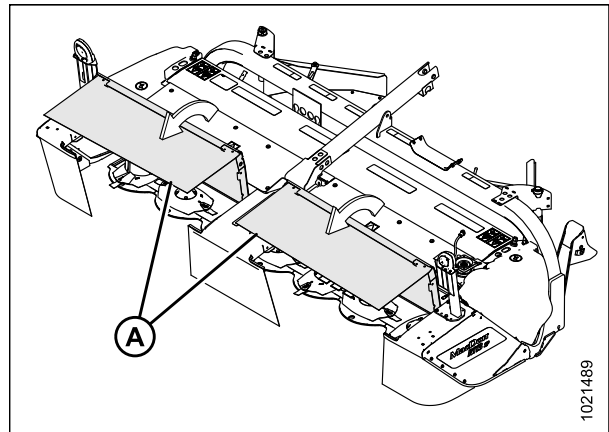


Figure 4.109: R113 SP Header

4.6 Servicing Conditioner Roll Timing Gearbox

The conditioner roll timing gearbox, located inside the drive compartment at the right side of the header, transfers power from the gearbox-driven lower roll to the upper roll.

The gearbox (A) does not require routine maintenance or service other than checking and changing the oil.

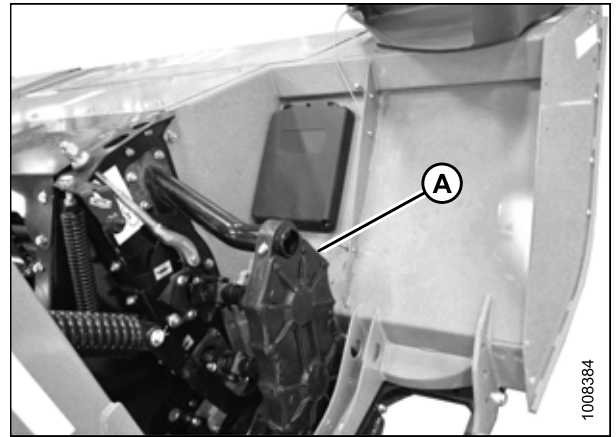


Figure 4.110: Conditioner Roll Timing Gearbox

4.6.1 Checking and Changing Conditioner Roll Timing Gearbox Oil

Change oil after the first 50 hours of operation. Perform subsequent oil changes every 250 hours or annually (preferably before the start of the cutting season).

DANGER

To avoid bodily injury or death from unexpected startup of machine, always stop engine and remove key from ignition before leaving operator's seat for any reason.

IMPORTANT:

Check the gearbox oil level when the oil is warm. If the oil is cold, idle the machine for approximately 10 minutes prior to checking.

1. Lower header fully so it is level with the ground, turn off engine, and remove key.
2. Remove the right driveshield (A). Refer to [Removing Driveshields, page 178](#).

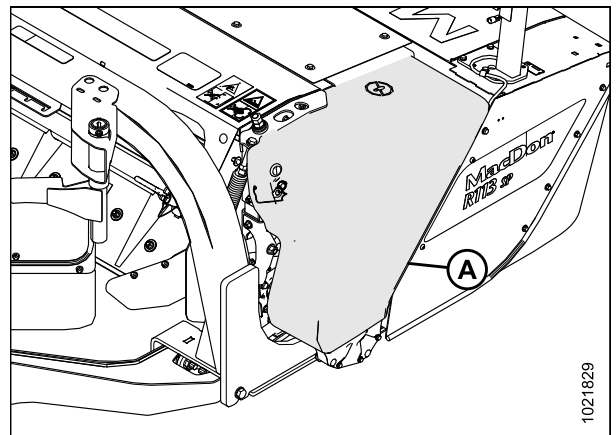


Figure 4.111: Right Driveshield

Checking conditioner roll timing gearbox oil level:

MAINTENANCE AND SERVICING

3. Clean around oil level plug (A) on inboard side of gearbox.
4. Remove oil level plug (A), and check that oil level is even with the hole.
5. Top up oil level with gear oil if necessary. Refer to this manual's inside back cover for a list of recommended fluids, lubricants, and capacity.
6. Replace oil level plug (A) and tighten.

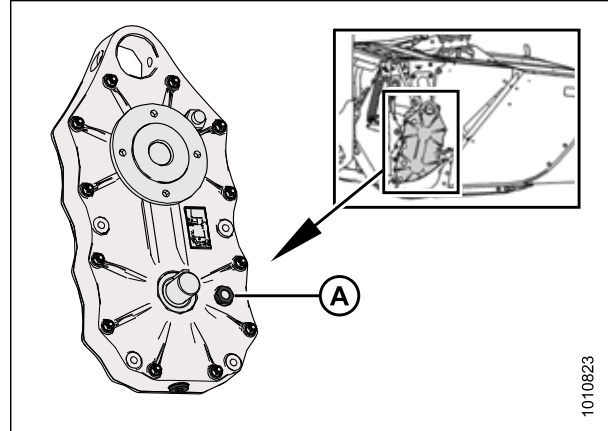


Figure 4.112: Roll Timing Gearbox

Changing conditioner roll timing gearbox oil:

⚠ WARNING

To avoid bodily injury or death from unexpected start-up or fall of raised machine: stop engine, remove key, and engage lift cylinder lock-out valves before going under machine.

7. Raise header to provide sufficient access to oil drain plug (A), shut off engine, and remove key.
8. Engage the windrower lift cylinder safety props. Refer to [3.3 Engaging and Disengaging Header Safety Props](#), page 24.
9. Clean around oil drain plug (A) on bottom of gearbox and around oil level plug (B) on inboard side of gearbox.
10. Place a 1 liter (1.05 qts [US]) container underneath conditioner gearbox.
11. Remove oil drain plug (A) using a hex key.
12. Allow sufficient time for oil to drain, replace oil drain plug (A), and tighten.
13. Remove oil level plug (B) and fill with gear oil until the oil level is even with the bore hole. Refer to this manual's inside back cover for a list of recommended fluid and lubricant types and amounts.
14. Replace oil level plug (B) and tighten.
15. Properly dispose of oil.

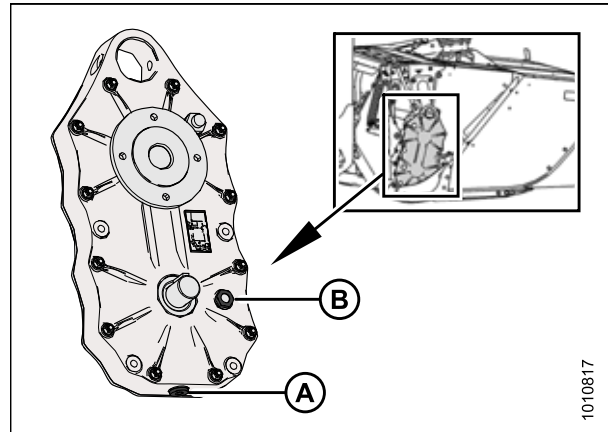


Figure 4.113: Roll Timing Gearbox

4.7 Servicing Header Drive Gearbox

The header drive gearbox (A), transfers power from the hydraulic motor to the cutterbar and conditioner. It is located inside the drive compartment at the left end of the header.

The only regular servicing required is maintaining the lubricant level and changing the lubricant according to the intervals specified in this manual. Refer to [4.3.1 Maintenance Schedule/Record, page 96](#).

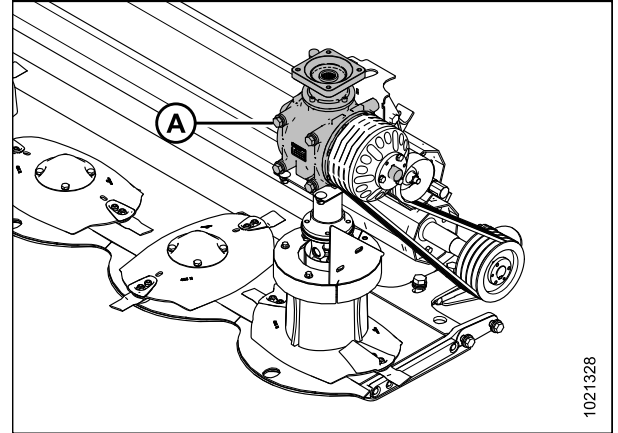


Figure 4.114: Header Drive Gearbox

4.7.1 Checking and Changing Header Drive Gearbox Oil

Change oil after the first 50 hours of operation. Perform subsequent oil changes every 250 hours or annually (preferably before the start of the cutting season).

IMPORTANT:

Check the gearbox oil level when the oil is warm. If the oil is cold, idle the machine for approximately 10 minutes prior to checking.

MAINTENANCE AND SERVICING

Checking header drive gearbox oil level:

DANGER

To avoid bodily injury or death from unexpected startup of machine, always stop engine and remove key from ignition before leaving operator's seat for any reason.

1. Adjust header height until the top of the header is parallel with the ground. Stop engine, and remove key.
2. Open left cutterbar door. For instructions refer to [3.7.1 Opening Cutterbar Doors, page 65](#).
3. The gearbox is located inside the cutterbar area at the top right corner (looking into cutterbar area from front). Clean area around check plug (A).
4. Remove check plug (A) with a 13 mm (1/2 in.) socket.
5. Ensure lubricant is even with bottom of check hole (A) or slightly runs out of hole (A).
6. If necessary, remove plug (B) and add lubricant to gearbox through hole (B) until lubricant runs out of hole (A). Refer to the inside back cover of this manual for lubricant information.
7. Reinstall plugs and tighten.

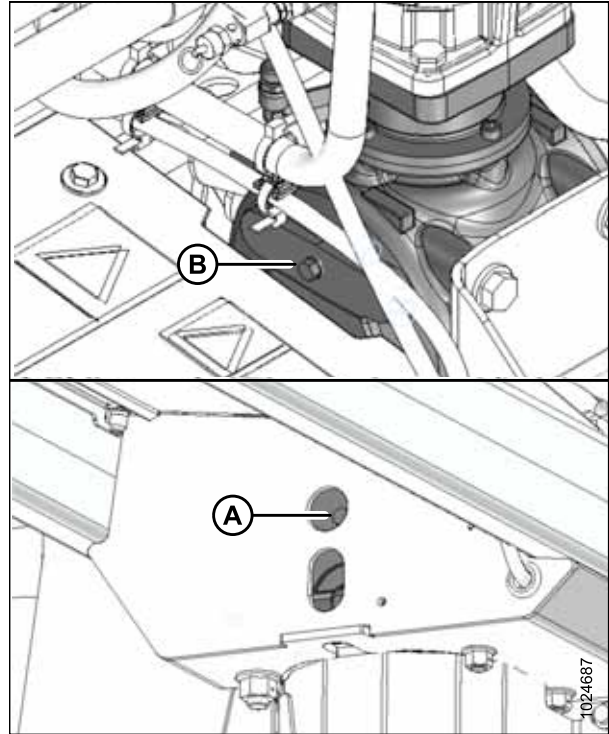


Figure 4.115: Header Drive Gearbox

Changing header drive gearbox oil:

⚠ DANGER

To avoid bodily injury or death from unexpected startup of machine, always stop engine and remove key from ignition before leaving operator's seat for any reason.

8. Clean around oil drain plug (A) on bottom of gearbox and around oil level plug (B) on inboard side of gearbox.
9. Place a 4 liter (1 gal. [US]) container under drain (A).
10. Remove hex plug (A).
11. Allow sufficient time for oil to drain, replace oil drain plug (A), and tighten.
12. Remove oil level plug (B) and fill plug (C).
13. Add lubricant through hole (C) until the oil level is even with the bore hole (B). Refer to this manual's inside back cover for a list of recommended fluid and lubricant types and amounts.
14. Replace oil level plug (B) and fill plug (C) and tighten.
15. Clean up spilt oil and properly dispose of used oil and wipes.
16. Close cutterbar door.

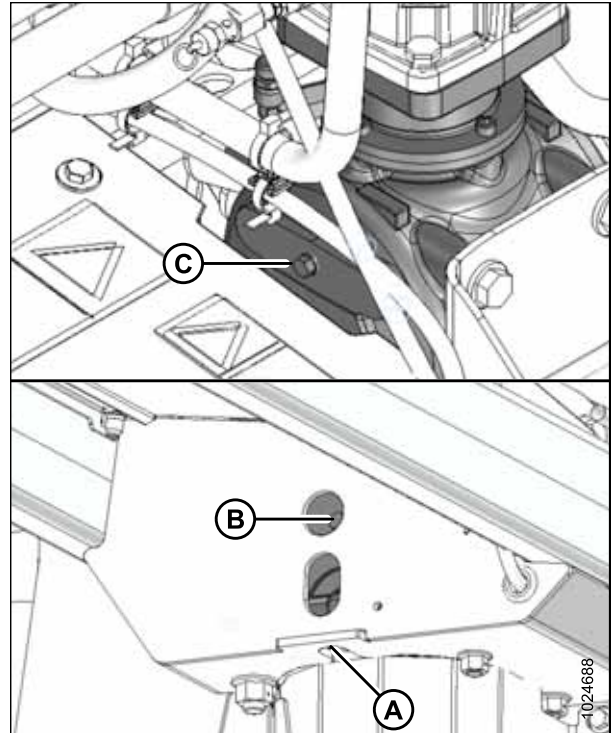


Figure 4.116: Header Drive Gearbox

4.8 Inspecting Cutterbar Doors

1. Ensure that door operates smoothly and lies flat when closed. Adjust if necessary.
2. Inspect hinge pin bolts (A) and tighten to 68.5 Nm (50.5 lbf·ft) if loose.
3. Check door for cracks, and repair if required.
4. Check for exposed metal surfaces and surface rust. Repair and repaint if necessary.
5. Check shield/curtain bolts (B) and replace if missing, or tighten if loose.

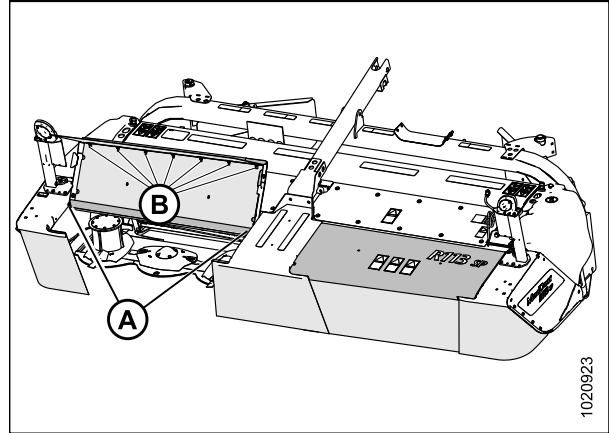


Figure 4.117: R113 SP Header

4.9 Replacing Curtains

Rubber curtains are installed at the following locations:

- Inboard curtain (A) attached to the center fixed cover.
- Door curtains (B) attached to each cutterbar door.
- Outboard curtains (C) attached to each front corner.

The curtains form a barrier that minimizes the risk of thrown objects being ejected from the cutterbar area. Always keep curtains down during operation.

Replace the curtains if they become worn or damaged.

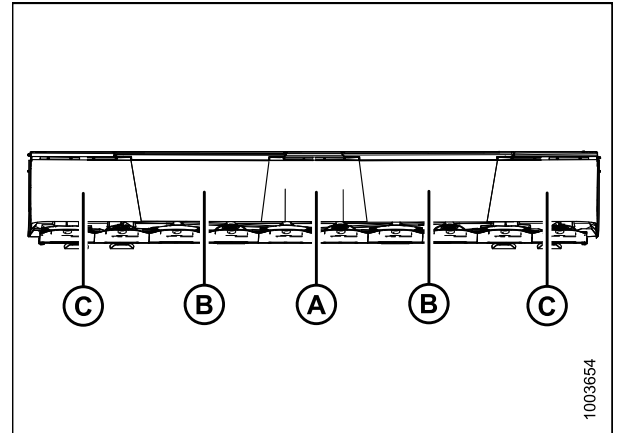


Figure 4.118: Cutterbar Curtains

4.9.1 Inspecting Curtains

The cutterbar curtains are important safety features that reduce the potential for thrown objects. Always keep these curtains down when operating the disc header.

WARNING

Do NOT operate the machine without all the cutterbar doors down or without curtains installed and in good condition.

CAUTION

To avoid injury, keep hands and fingers away from corners of doors when closing.

Check cutterbar curtains (A) for the following conditions:

- Rips and tears: Replace curtain.
- Cracking: While the curtain may look whole, this is an indicator that failure is imminent—replace curtain.
- Missing bolts: Replace missing hardware before operating.

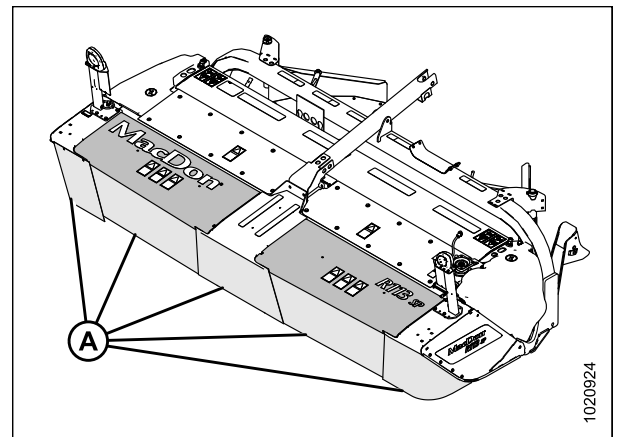


Figure 4.119: Cutterbar Curtains

4.9.2 Removing Cutterbar Door Curtains

The procedure for removing cutterbar door curtains is the same for both doors.

1. Open cutterbar doors (A). Refer to [3.7.1 Opening Cutterbar Doors](#), page 65.

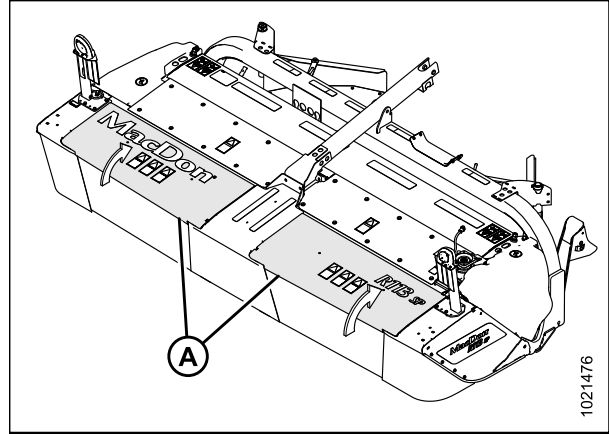


Figure 4.120: R113 SP Header

2. Remove seven nuts (A) from the bolt studs.
3. Remove aluminum liner (B).
4. Remove curtain (C).

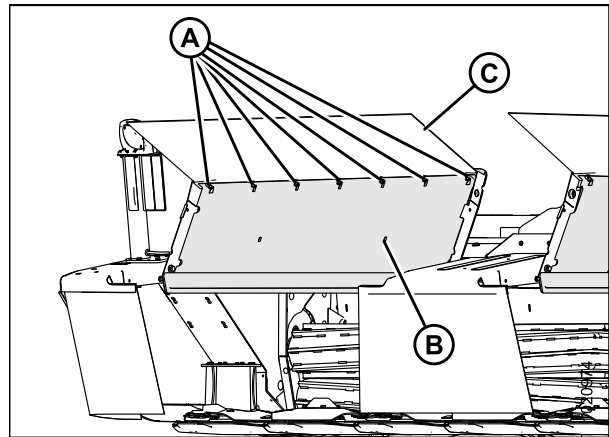


Figure 4.121: Cutterbar Door

4.9.3 Installing Cutterbar Door Curtains

The procedure for installing cutterbar door curtains is the same for both doors.

1. Insert the seven cutterbar door stud bolts (B) into the precut holes on curtain (A).
2. Install seven large washers (C).
3. Install liner panel (D) against washers.
4. Install seven nuts (E) onto bolt studs and torque to 28 Nm (21 lbf·ft).

IMPORTANT:

To avoid damaging bolt studs, do not overtighten the nuts.

5. Close cutterbar doors. Refer to [3.7.3 Closing Cutterbar Doors](#), page 68.

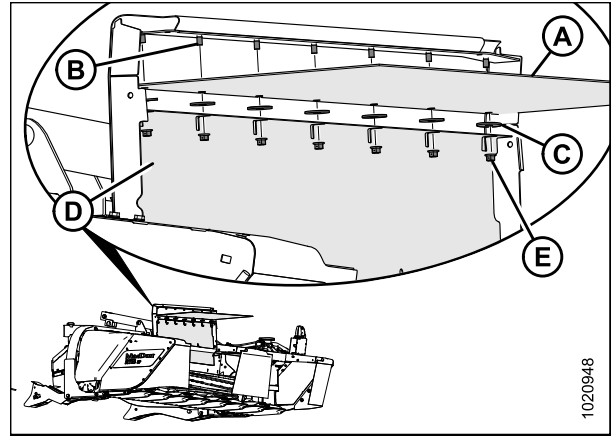


Figure 4.122: Cutterbar Curtain

4.9.4 Removing Cutterbar Inboard Curtain

1. Open cutterbar doors (A). Refer to [3.7.1 Opening Cutterbar Doors](#), page 65.

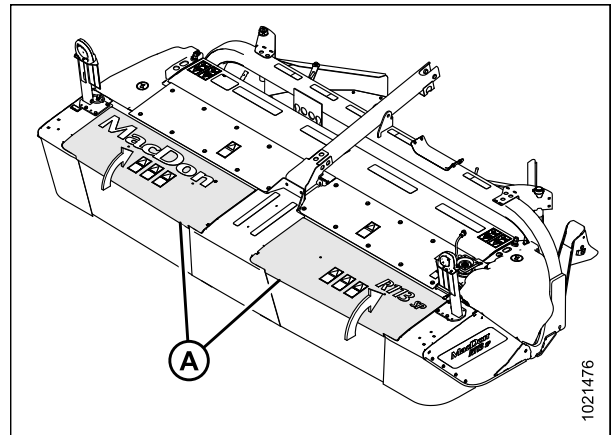


Figure 4.123: R113 SP Header

2. Remove two M10 carriage head bolts (A) and nuts securing curtain assembly (B) to the disc header, and remove curtain assembly.

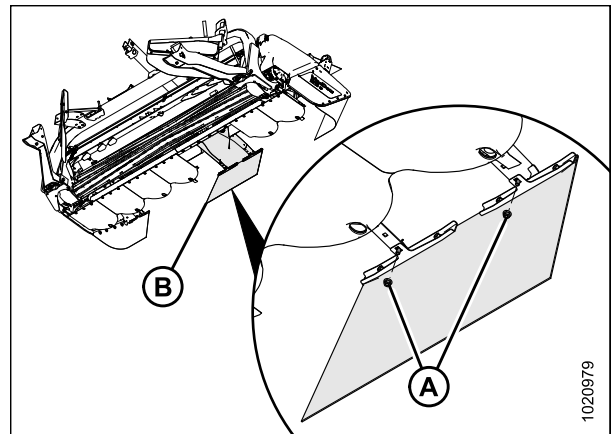


Figure 4.124: Inboard Curtain

MAINTENANCE AND SERVICING

3. Remove four nuts (A) from weld studs on center shield, remove two curtain brackets (B), and remove curtain.

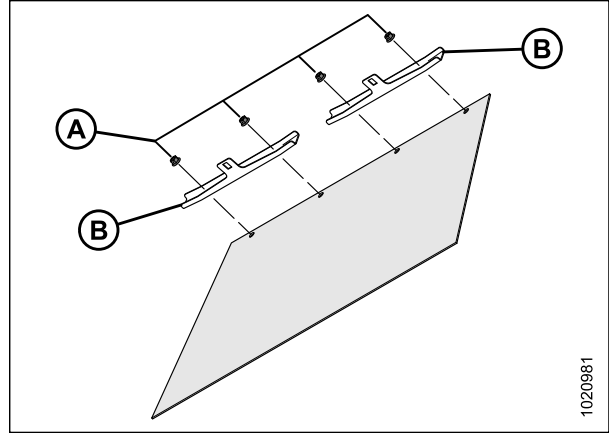


Figure 4.125: Inboard Curtain

4.9.5 Installing Cutterbar Inboard Curtain

1. Open cutterbar doors (A). Refer to [3.7.1 Opening Cutterbar Doors](#), page 65.

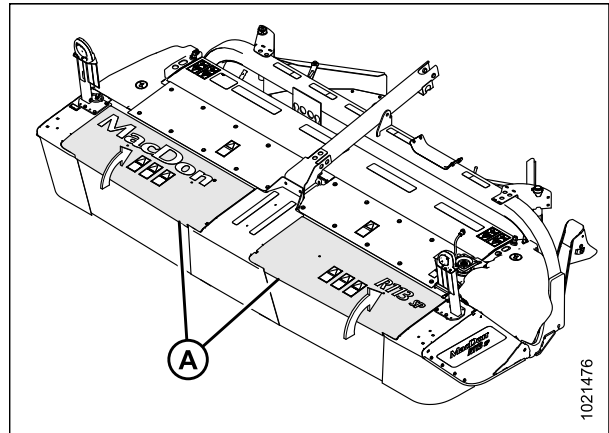


Figure 4.126: R113 SP Header

2. Install curtain onto weld studs on center shield, install two curtain brackets (B), and secure with four nuts (A).
3. Torque to 28 Nm (21 lbf·ft).

IMPORTANT:

To avoid damaging bolt studs, do not overtighten the nuts.

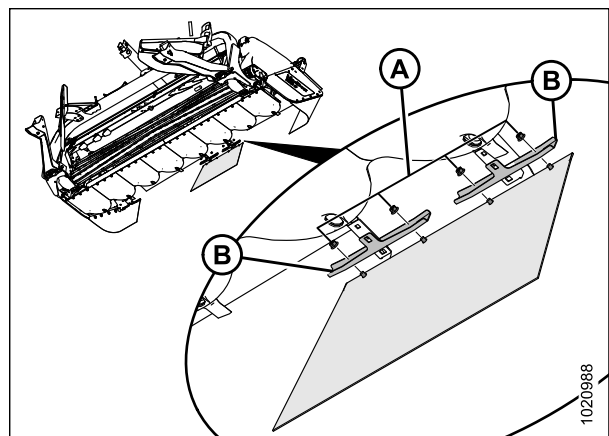


Figure 4.127: Inboard Curtain

MAINTENANCE AND SERVICING

- Secure two curtain brackets (A) to center shield using two M10 carriage head bolts (B) and nuts.
- Torque bolts (A) to 39 Nm (29 lbf·ft).

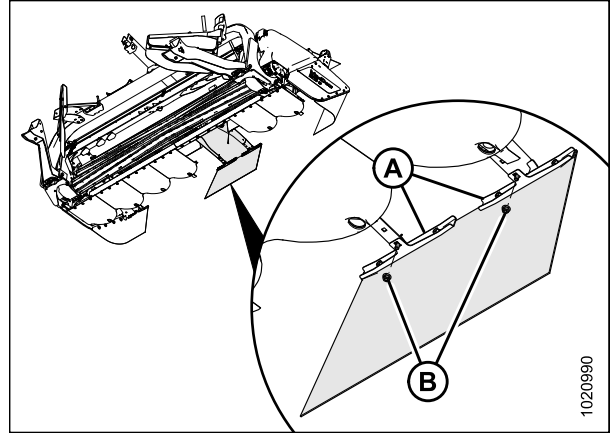


Figure 4.128: Inboard Curtain

4.9.6 Removing Outboard Curtains

The procedure for removing outboard curtains is the same for both sides.

- Open cutterbar door (A). Refer to [3.7.1 Opening Cutterbar Doors](#), page 65.

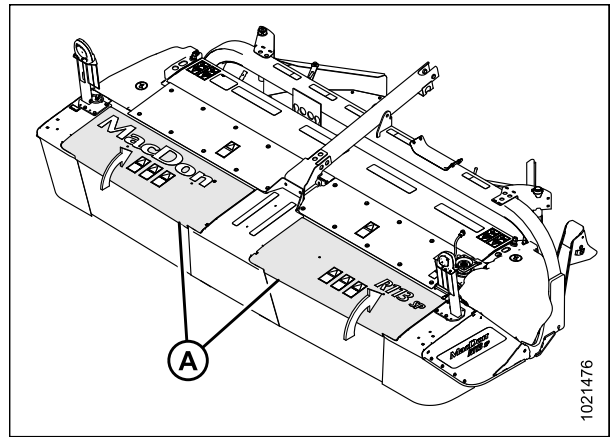


Figure 4.129: R113 SP Header

- Remove four bolts, large washers, and nuts (A) securing outboard curtain (B) to endsheet.

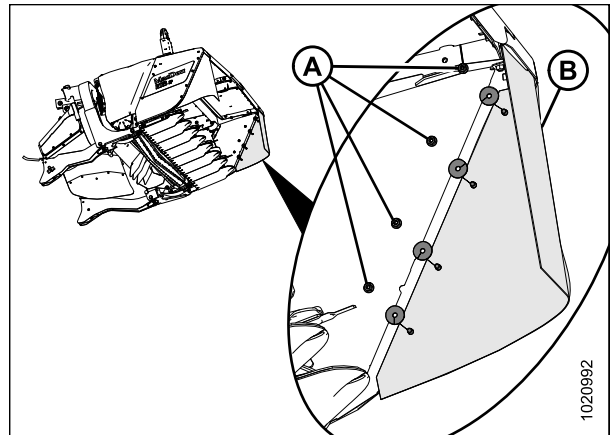


Figure 4.130: Left Endsheat

MAINTENANCE AND SERVICING

3. Remove two nuts (A) from bolt studs.
4. Remove nut (B) from carriage head bolt, slide out the bracket (C), and remove curtain (D).

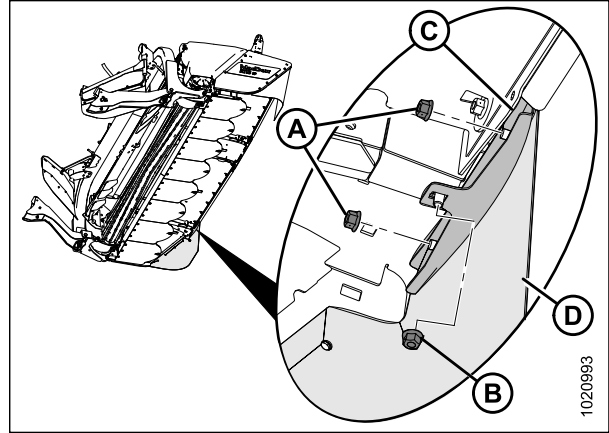


Figure 4.131: Outboard Curtain

4.9.7 Installing Outboard Curtains

The procedure for installing outboard curtains is the same for both sides.

1. Open cutterbar door (A). Refer to [3.7.1 Opening Cutterbar Doors](#), page 65.

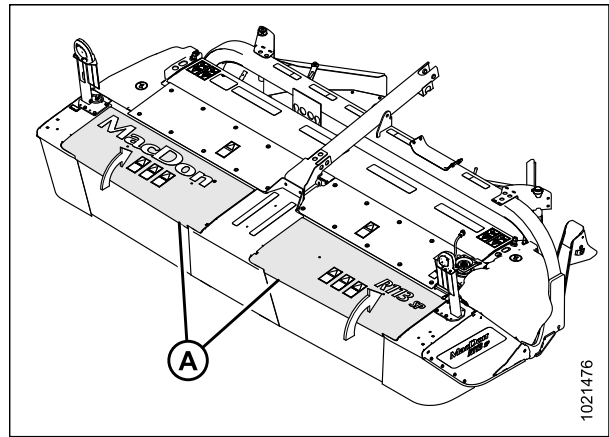


Figure 4.132: R113 SP Header

2. Install curtain (A) into bracket (B).
3. Install two nuts (D) and tighten.
4. Slide bracket (B) into position, and install the square neck carriage head bolt and flange nut (C).
5. Torque flange nut (C) to 39 Nm (29 lbf·ft).

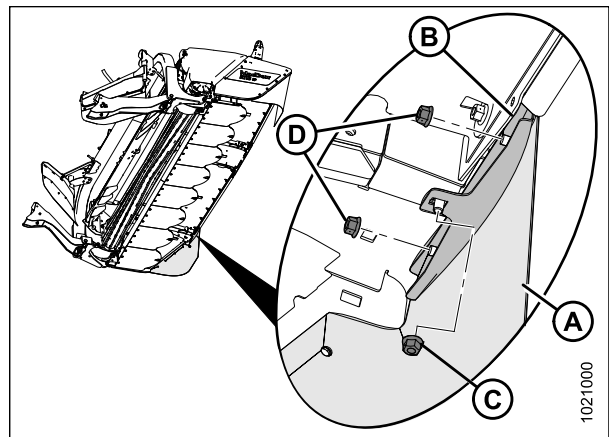


Figure 4.133: Outboard Curtain

MAINTENANCE AND SERVICING

6. Install four bolts, large washers, and nuts (A) to secure outboard curtain (B) to endsheet. Torque bolts to 39 Nm (29 lbf·ft).

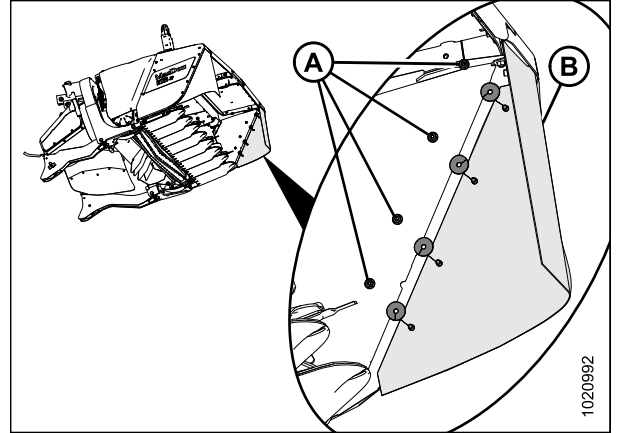


Figure 4.134: Left Endsheets

4.10 Servicing Conditioner

4.10.1 Inspecting Conditioner

DANGER

To avoid bodily injury or death from unexpected start-up or fall of a raised machine, stop engine, remove key, and engage windrower lift cylinder safety props before going under machine for any reason.

CAUTION

Exercise caution when working around the blades. Blades are sharp and can cause serious injury. Wear gloves when handling blades.

1. Lower disc header fully, stop engine, and remove key.
2. Engage windrower lift cylinder safety props. Refer to [3.3 Engaging and Disengaging Header Safety Props](#), page 24.
3. Remove left and right driveshields (A). Refer to [3.6.1 Opening Driveshields](#), page 62.

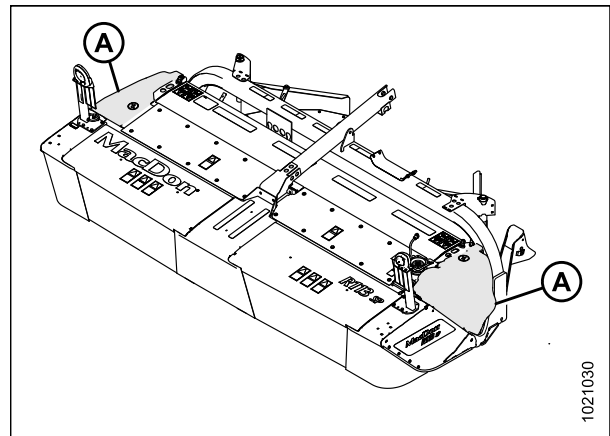


Figure 4.135: Driveshields

4. Inspect conditioner roll left bearing (A) for signs of wear or damage. If bearing needs replacing, refer to the Technical Service Manual.

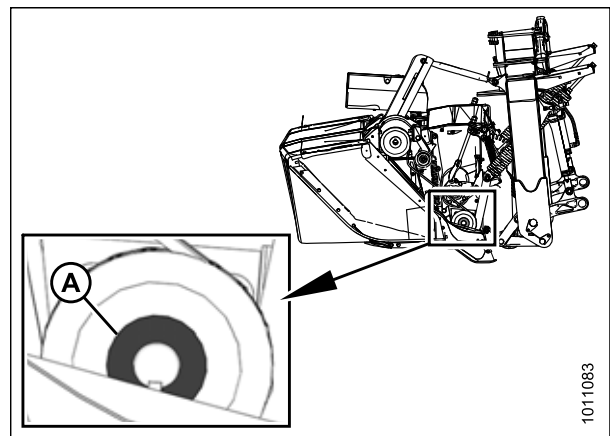


Figure 4.136: Conditioner Roll Left Bearing

MAINTENANCE AND SERVICING

5. Inspect conditioner drive U-joints (A) for signs of wear or damage. If U-joints needs replacing, refer to the Technical Service Manual.

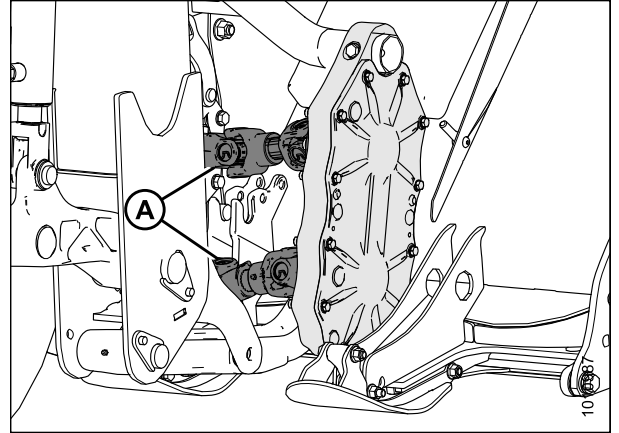


Figure 4.137: Conditioner Drive U-Joints

6. Inspect roll timing gearbox bearings (A) for signs of wear or damage. If bearing needs replacing, refer to the Technical Service Manual.

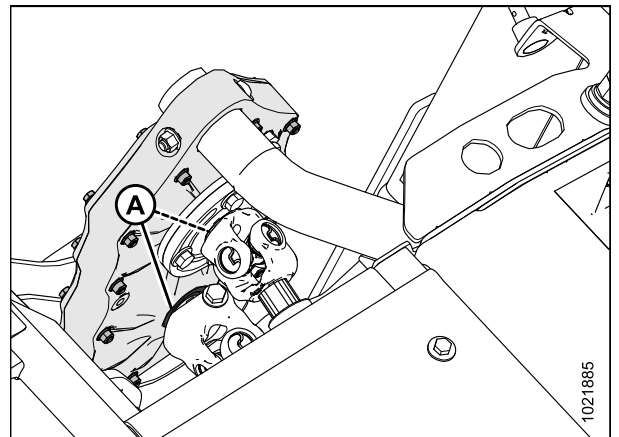


Figure 4.138: Roll Timing Gearbox Bearings

4.10.2 Replacing Conditioner Drive Belt

The conditioner drive belt is located inside the left driveshield and is tensioned with a spring tensioner. The tension is factory-set and should not require adjustment.

Inspecting Conditioner Drive Belt

Check the belt tension and inspect for damage or wear every 100 hours or annually (preferably before the start of the cutting season).

⚠ DANGER

To avoid bodily injury or death from unexpected startup of machine, always stop engine and remove key from ignition before leaving operator's seat for any reason.

1. Lower disc header fully, turn off engine, and remove key.

MAINTENANCE AND SERVICING

2. Open the left side driveshield (A). Refer to [3.6.1 Opening Driveshields](#), page 62.

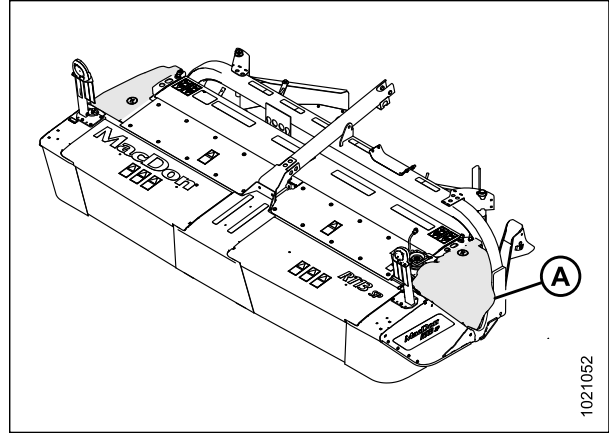


Figure 4.139: R113 SP Header

3. Inspect drive belt (A) and replace if damaged or cracked.
4. Check that jam nut (B) and adjuster nut (C) are tight.

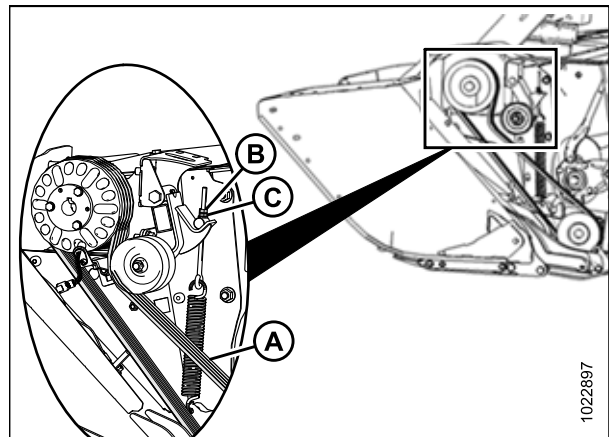


Figure 4.140: Conditioner Drive

5. Measure the length of belt tensioner spring (A) and ensure spring length (B) is 366 mm (14-3/8 in.) in accordance with spring tension decal (C). If spring length requires adjustment, refer to [Installing Conditioner Drive Belt](#), page 165.
6. Close driveshield. Refer to [3.6.2 Closing Driveshields](#), page 64.

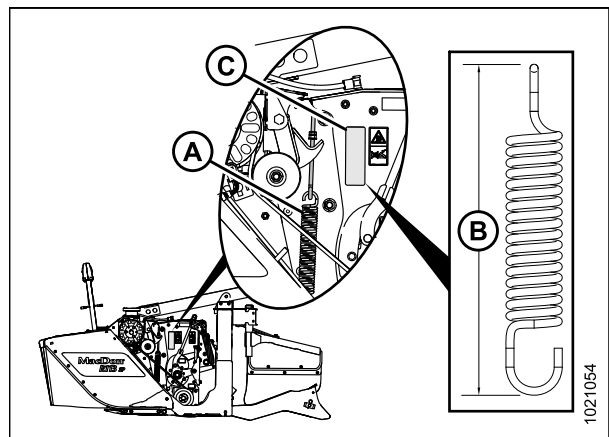


Figure 4.141: Belt Tension Spring

Removing Conditioner Drive Belt

⚠ DANGER

To avoid bodily injury or death from unexpected startup of machine, always stop engine and remove key from ignition before leaving operator's seat for any reason.

1. Lower header fully, turn off engine, and remove key.
2. Remove the left driveshield. Refer to [3.6.1 Opening Driveshields, page 62](#).
3. Disconnect wire harness (A) from speed sensor (B).

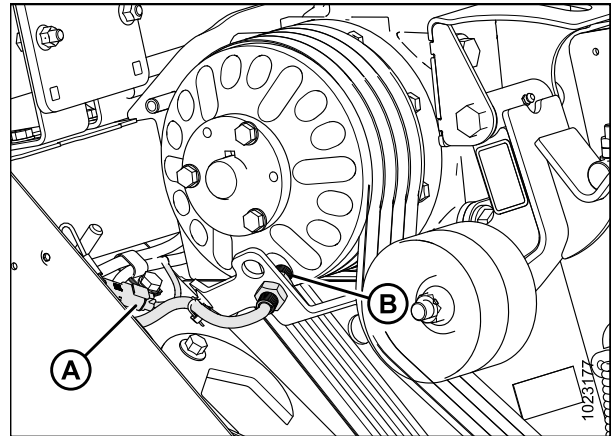


Figure 4.142: Speed Sensor Assembly

4. Turn jam nut (A) counterclockwise to unlock tension adjustment.
5. Turn jam nut (A) and adjuster nut (B) counterclockwise to fully collapse tensioner spring (C), and release the tension from conditioner drive belt (D).
6. Remove drive belt (D).

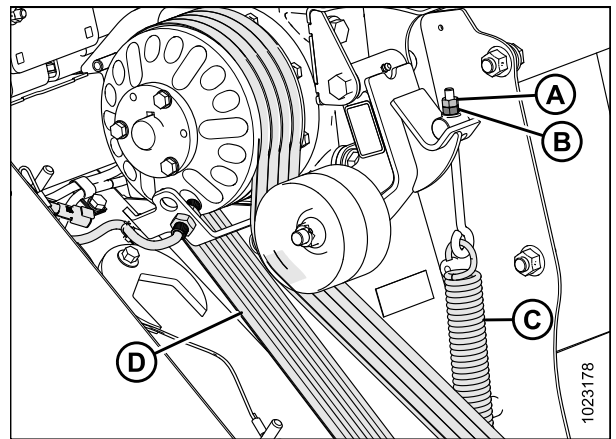


Figure 4.143: Conditioner Drive

Installing Conditioner Drive Belt

⚠ DANGER

To avoid bodily injury or death from unexpected startup of machine, always stop engine and remove key from ignition before leaving operator's seat for any reason.

1. Lower disc header fully, turn off engine, and remove key.

MAINTENANCE AND SERVICING

2. Install drive belt (A) onto driven pulley (C) first, and then onto drive pulley (B) ensuring that the belt is in the pulley grooves.

NOTE:

If necessary, loosen jam nut and adjuster nut to relieve spring tension.

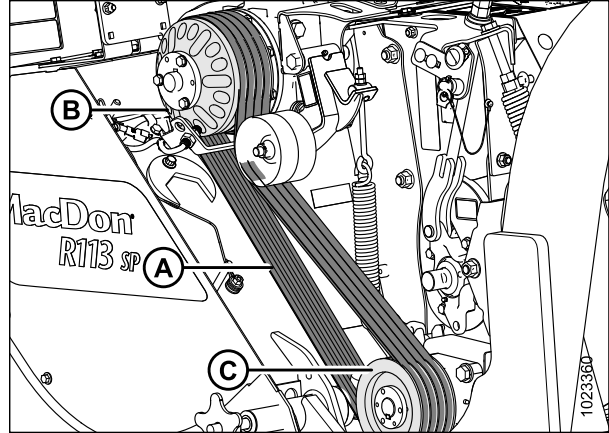


Figure 4.144: Conditioner Drive

3. Measure the length of tensioner spring (C); dimension (D) should be set to 366 mm (14-3/8 in.) for proper belt tension.
4. To adjust the spring tension, loosen jam nut (A).
5. Turn adjuster nut (B) clockwise to increase spring/belt tension or turn adjuster nut (B) counterclockwise to decrease spring/belt tension.
6. Once correct spring measurement has been achieved, hold adjuster nut (B) and tighten jam nut (A) against it.

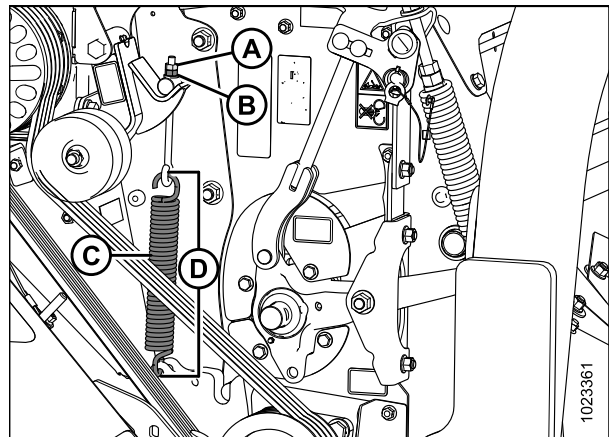


Figure 4.145: Conditioner Drive

7. Reconnect speed sensor (B) to wiring harness (A).
8. Close left driveshield. Refer to [3.6.2 Closing Driveshields](#), page 64.

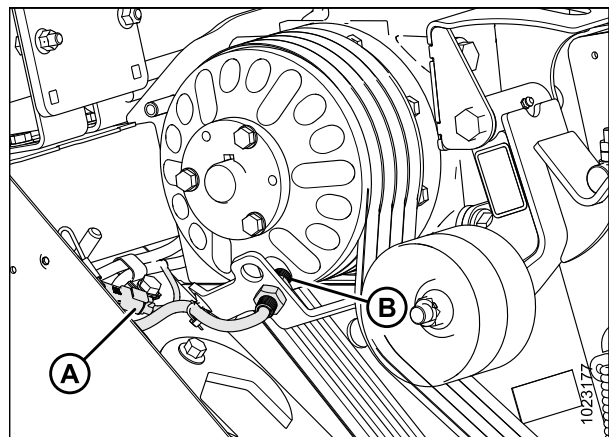


Figure 4.146: Speed Sensor

4.10.3 Changing the Conditioner

The R113 SP Disc Header can be operated either with no conditioner, with a polyurethane roll conditioner, or with a steel roll conditioner. If the disc header is not conditioner equipped, a shield must be installed.

Follow these instructions to change conditioners.

NOTE:

These instructions apply to all conditioners. Exceptions are identified where applicable.

Removing the Conditioner

This procedure is applicable when the header is not attached to the windrower. If necessary, detach the header from the windrower before proceeding.

1. Remove the driveshields. Refer to *Removing Driveshields, page 178*.
2. Remove the conditioner drive belt. Refer to *Removing Conditioner Drive Belt, page 165*.
3. **M1170:** Move hose bundle (A) clear of frame and lay on header.

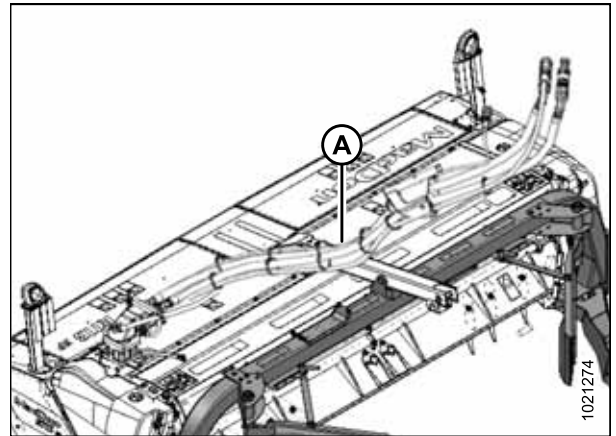


Figure 4.147: M1170 Hose Bundle

4. **M155 and M155E4:** Remove two bolts (A) attaching hose bracket (B) to header frame. Place hose bundle and bracket onto header. Do **NOT** disconnect hoses from motor.

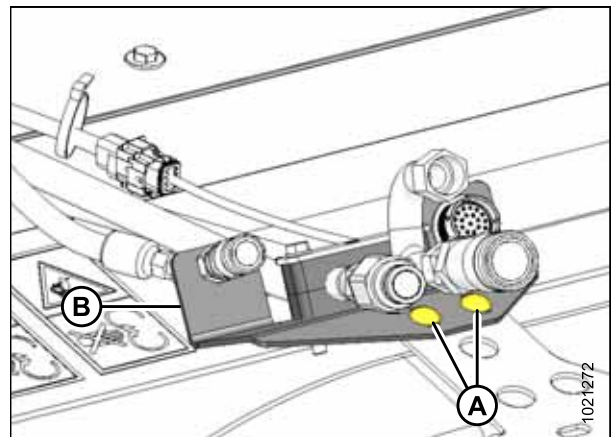


Figure 4.148: M155 and M155E4 Hoses

MAINTENANCE AND SERVICING

5. Attach straps (A) to adapter frame (B) and forklift forks. Use straps with a minimum working load of 454kg (1000 lb.).

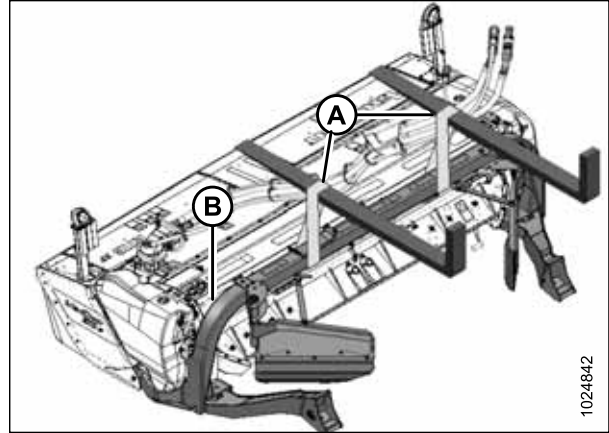


Figure 4.149: Supporting Frame

6. Alternate Method

- a. To protect the finish on the frame, wrap packing foam (A) around frame at approximate shown locations.
- b. Position forks (B) under the packing foam on the frame as shown at right. Raise forks and lift frame slightly. The forks should not directly contact the frame.
- c. To secure frame to forks, wrap chain (C) around end of forks and attach to forklift.

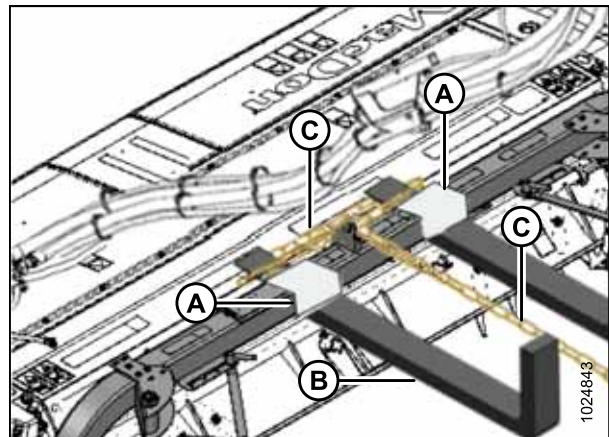


Figure 4.150: Supporting Frame

WARNING

To prevent frame from slipping off forks, ensure frame is secured to forks. Failure to do so could result in death or serious injury.

7. Lift header with forklift and place 150 mm (6 in.) wooden blocks (A) under skid shoes. Lower header onto blocks and allow header to tilt forward.

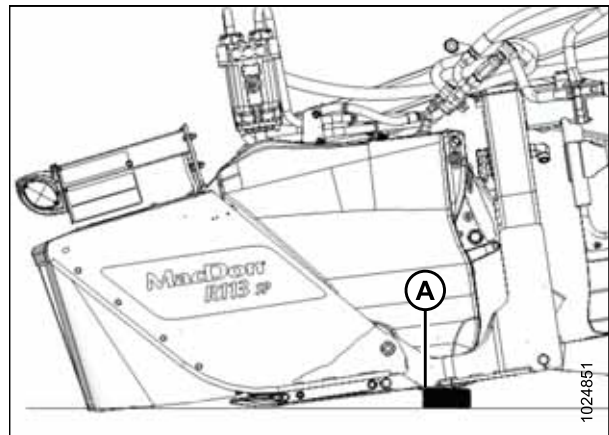


Figure 4.151: Header on Blocks

MAINTENANCE AND SERVICING

- Remove nut (A), securing bolt (B), washer (C), and washer shims (D) from the center-link support. If necessary, adjust height of forks lifting the frame. Retain hardware for reinstallation.

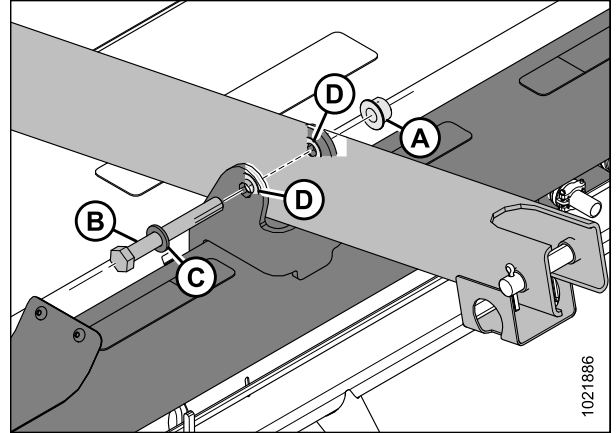


Figure 4.152: Center-Link Support

- Remove nut (B).

WARNING

To prevent straps from slipping off forks, ensure straps are securely attached to forks. Failure to do so could result in death or serious injury.

CAUTION

Stand clear when detaching frame as frame may shift when bolts are removed.

- Remove bolt (A) from frame (C). If necessary, adjust the height of forks to improve access to and to loosen bolt (A). Repeat at opposite side of frame. Retain hardware for reinstallation.
- Slowly and carefully back forklift away from header until frame is clear of header. Move frame away from work area, lower to ground and disconnect from forklift.
- Attach a spreader bar (A) to a forklift or equivalent, and attach chains to lugs (B) on conditioner (C). Use a chain rated for overhead lifting with a minimum working load of 1135 kg (2500 lb.).

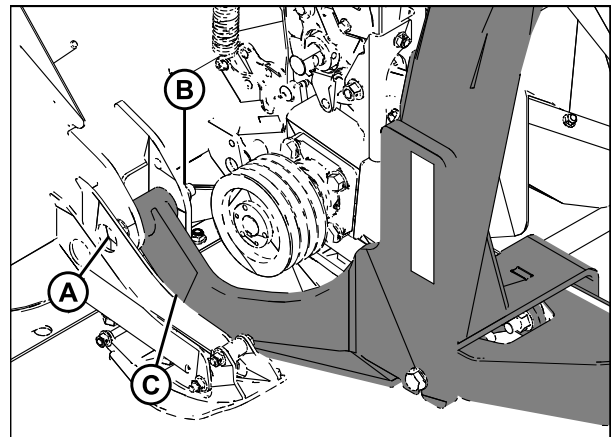


Figure 4.153: Left Side of Adapter Frame

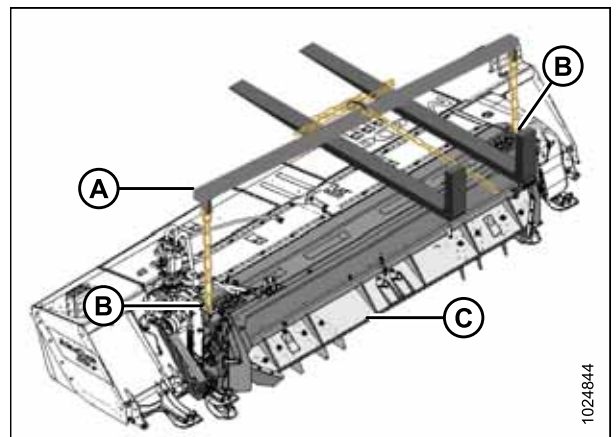


Figure 4.154: Spreader Bar

MAINTENANCE AND SERVICING

- Loosen two M16 hex head bolts (A) at each side of conditioner that secure it to header.

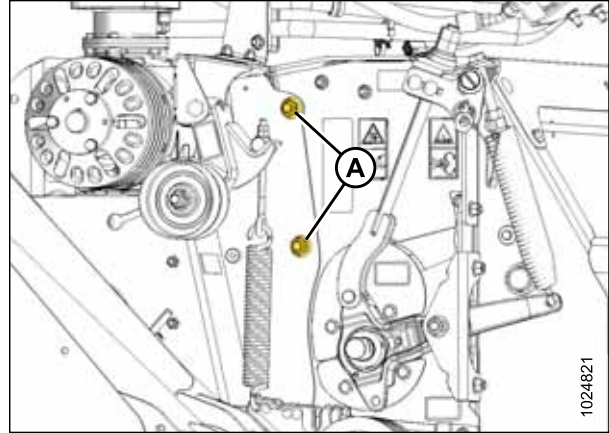


Figure 4.155: Conditioner Left Side – Right Side Similar

- Loosen two carriage bolts (A) securing conditioner gearbox support (B) to header.

WARNING

To prevent the conditioner from falling backward, ensure lifting chains are secure and tight. Failure to do so may result in death or serious injury.

CAUTION

Stand clear when detaching frame as frame may shift when bolts are removed.

- Adjust the height of forks to raise the conditioner slightly. Remove the loosened bolts and retain hardware for reinstallation.

WARNING

Ensure spreader bar is secured to the forks so that it cannot slide off the forks or towards the header. Failure to do so could result in death or serious injury.

- Using the forklift, lift conditioner (A) off header (B). Avoid contact between top of conditioner and center-link anchor (C).
- Move frame away from work area, set on ground, and remove chains securing conditioner to spreader bar.

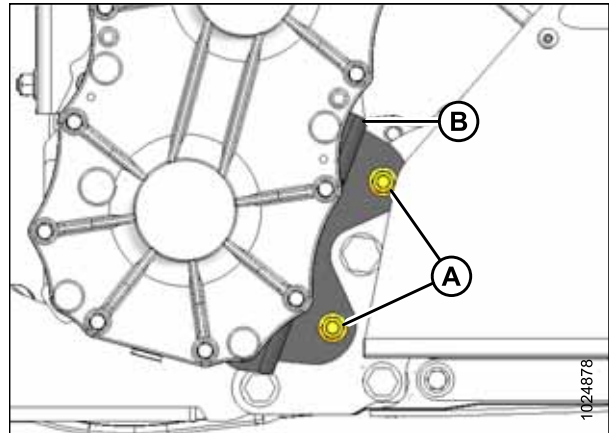


Figure 4.156: Conditioner Gearbox

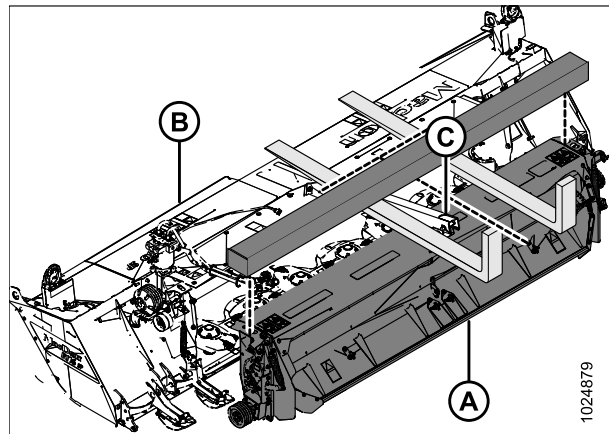


Figure 4.157: Conditioner Lift

Installing the Conditioner

This procedure is applicable when the header is not attached to the windrower. If necessary, detach the header from the windrower before proceeding.

1. Attach a spreader bar (A) to a forklift (or equivalent) and attach chains to lugs (B) on conditioner. Use a chain rated for overhead lifting with a minimum working load of 1135 kg (2500 lb.).

⚠ WARNING

Ensure spreader bar is secured to the forks so that it cannot slide off the forks or towards the header while attaching the conditioner to the header. Failure to do so could result in death or serious injury.

2. Lift conditioner (C) and align it with the header opening.

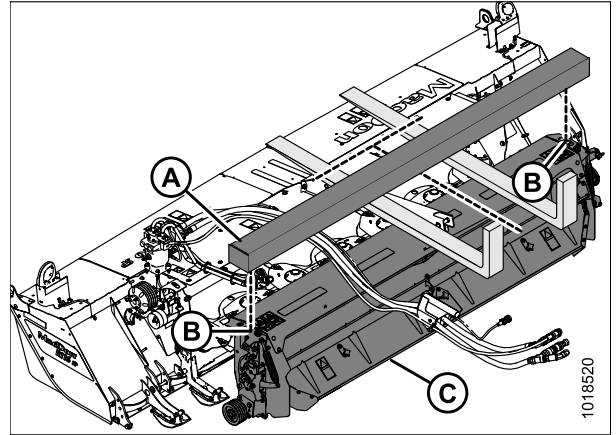


Figure 4.158: Conditioner Lift

3. Carefully align pin (B) at each end of conditioner (A) with lug (C) on disc header. Lower conditioner (A), so that pins (B) engage lugs (C) on disc header. Avoid contact between top of conditioner and center-link anchor.

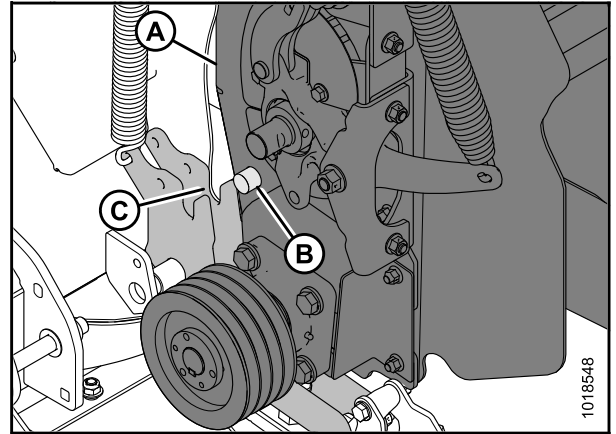


Figure 4.159: Installing Conditioner

4. Align mounting holes and install four M16 x 40 hex head bolts (A) with heads facing inboard (two per side). Secure with M16 center lock flanged nuts. Do not tighten.

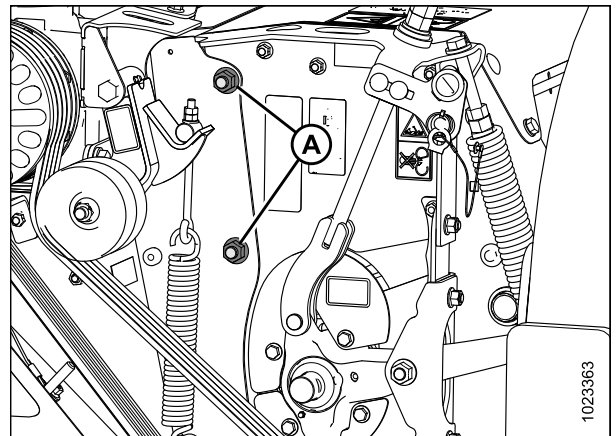


Figure 4.160: Left Side of Conditioner – Right Side Similar

MAINTENANCE AND SERVICING

5. Align holes in support (B) with mounting holes in header frame and install two carriage bolts (A) to secure conditioner gearbox support (B) to header. Bolt heads face inboard. Torque nuts to 69 Nm (51 lbf·ft).
6. Torque nuts installed in Step 4, page 171 to 170 Nm (126 lbf·ft).
7. Remove lifting chains from conditioner and move lifting device clear of work area.
8. If necessary, install conditioner drive components. Refer to *Installing Conditioner Drive*, page 175.

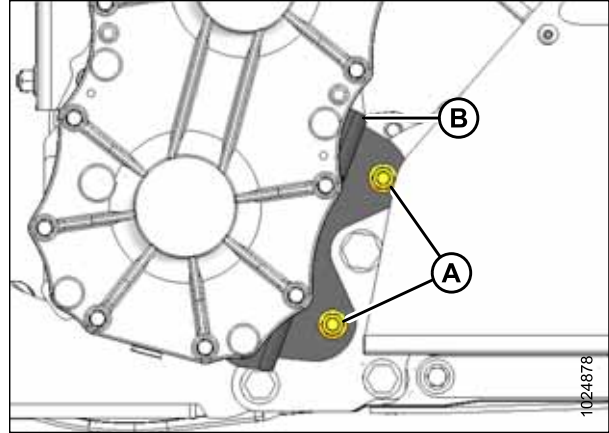


Figure 4.161: Conditioner Gearbox

9. Attach straps (A) to adapter frame (B) and forklift forks. Use straps rated for overhead lifting with a minimum working load of 454 kg (1000 lb.).

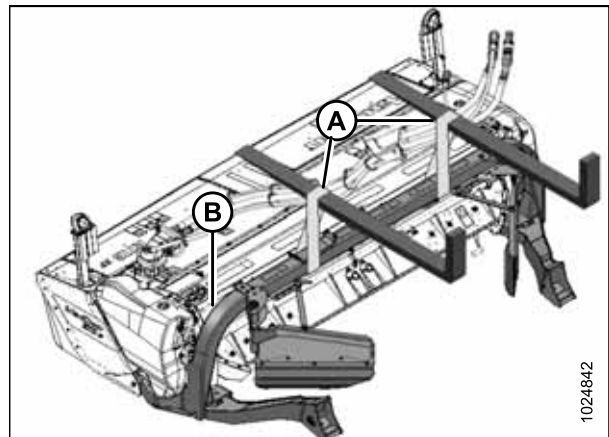


Figure 4.162: Supporting Frame

10. Alternate Method

- a. To protect the finish on the frame, wrap packing foam (A) (or equivalent) around frame at approximate shown locations.
- b. Position forks (B) under the packing foam on the frame as shown at right. Raise forks and lift frame slightly. The forks should not directly contact the frame.
- c. To secure frame to forks, wrap chain (C) around end of forks and attach to forklift.

WARNING

To prevent frame from slipping off forks, ensure frame is secured to forks. Failure to do so could result in death or serious injury.

11. Pick up frame and position it against header as shown.

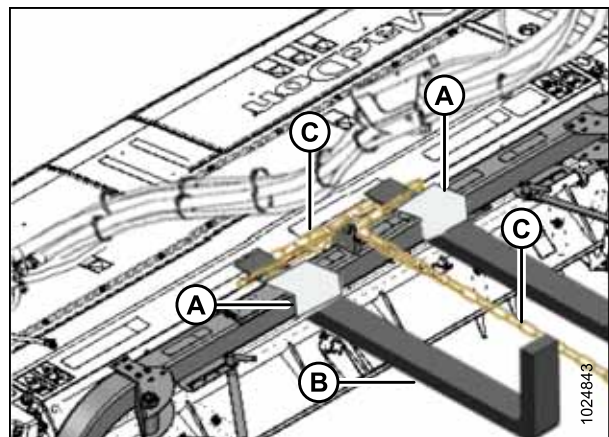


Figure 4.163: Supporting Frame

MAINTENANCE AND SERVICING

12. Slowly move forward until the lift arm (C) is lined up with the mounting holes in the frame (A) and (B).

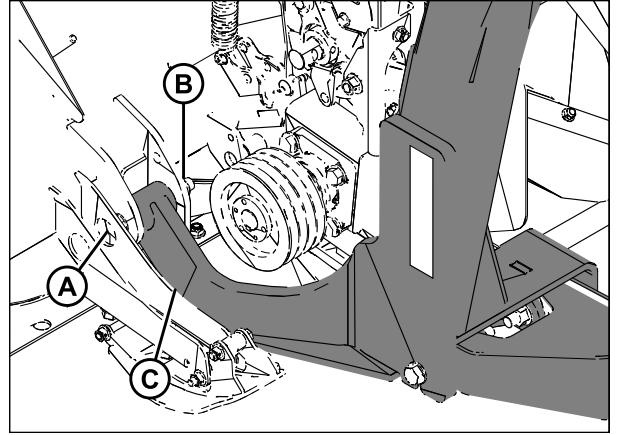


Figure 4.164: Frame (Left Side Shown)

13. Install bolt (A) through frame (B) and bushing (D) in the lift arm. Repeat for opposite side.
14. Check gap (C) between the inner steel sleeve (D) of the bushing and frame (B). If there is a gap, flat washers (1.2 mm thick) (MD #5113) will need to be installed to minimize the gap on both sides of the bushing.
15. Remove bolt (A).

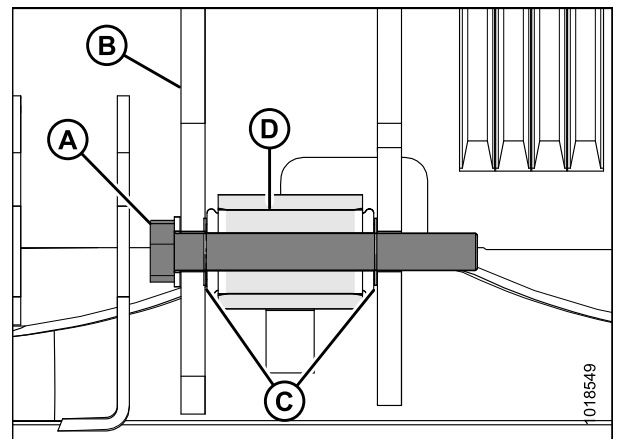


Figure 4.165: Frame Attachment (Left Side Shown)

16. Install washer (A) onto bolt (B) and apply anti-seize compound to bolt shank only. Do **NOT** apply to threads.
17. Install bolt (B) with washers (C) as determined in Step 14, page 173.
18. Install three washers (D) and nut (E) onto bolt. Torque to 332–346 Nm (245–255 lbf·ft).
19. Repeat Steps 14, page 173 to 18, page 173 for opposite side.

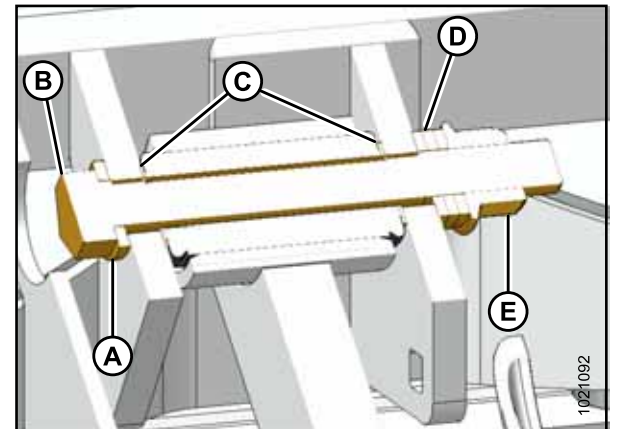


Figure 4.166: Frame Attachment (Left Side Shown)

MAINTENANCE AND SERVICING

20. With flat washer shim (A) on both sides of the center-link support, install securing bolt (B) and washer (C) through the conditioner center-link support bracket and center-link support.
21. Install nut (D) and torque to 332–346 Nm (245–255 lbf-ft).

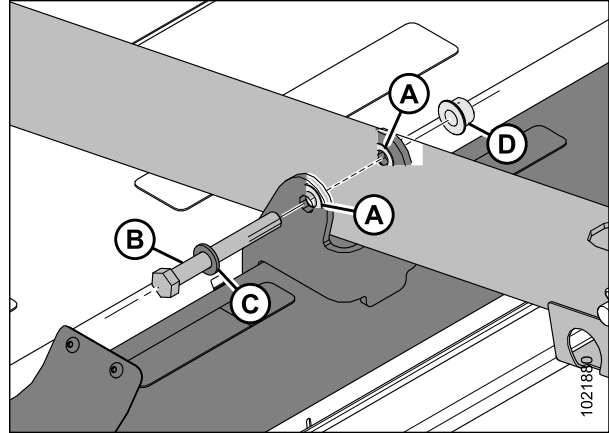


Figure 4.167: Center-Link Support

WARNING

To prevent frame from slipping off forks, ensure frame is secured to forks. Failure to do so could result in death or serious injury.

22. Lift header and remove wooden blocks (A) under skid shoes. Lower header to ground.
23. Remove straps or chains securing frame to forks, and back forklift away from work area.

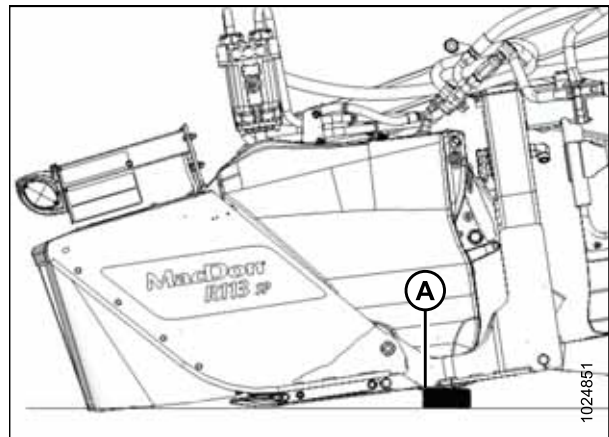


Figure 4.168: R113 SP Header

24. **M155 and M155E4:** Position hose bundle and hose support (B) onto adapter and secure with bolts (A) and nuts.

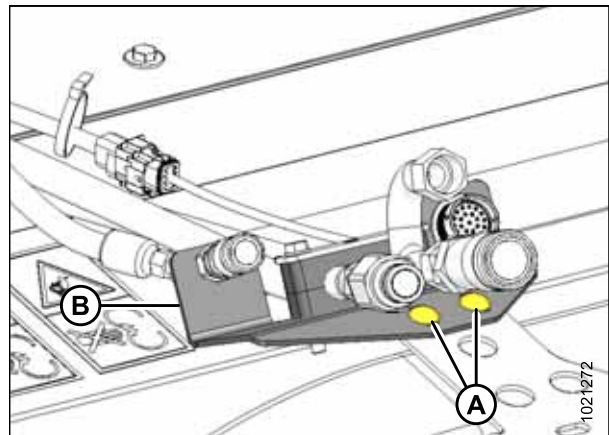


Figure 4.169: Hose Support

MAINTENANCE AND SERVICING

25. **M1170:** Reposition hose bundle on frame.
26. Install the conditioner drive belt. Refer to *Installing Conditioner Drive Belt, page 165*.
27. Install the driveshields. Refer to *Installing Driveshields, page 179*.

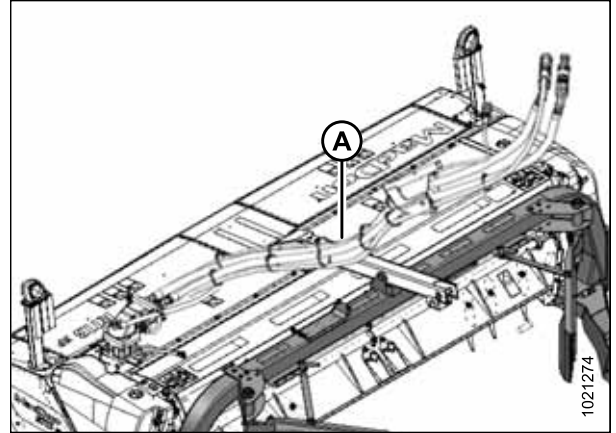


Figure 4.170: R113 SP Header

Installing Conditioner Drive

This procedure describes the installation of conditioner drive components on a machine that was originally supplied with no conditioner. The procedure is similar for machines that will have a conditioner installed.

If a conditioner is to be installed on the R113 disc mower, refer to *Installing the Conditioner, page 171* and *Installing Conditioner Drive Belt, page 165*.

1. Remove drive cover (A) from left side of header by removing securing hex head bolt (B), flat washer (C) and nut (D) and sliding cover off pins (E).

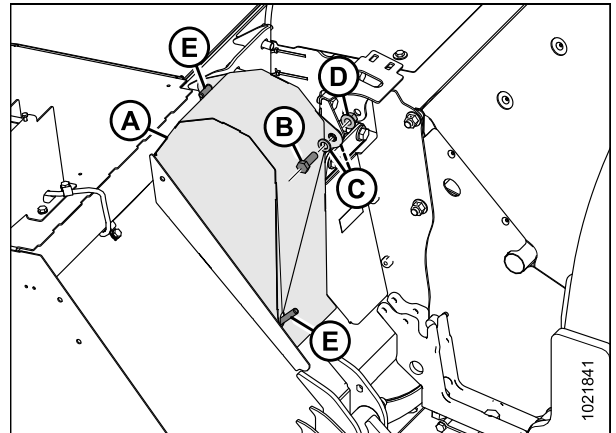


Figure 4.171: Drive Cover

MAINTENANCE AND SERVICING

2. Position tensioner assembly (A) as shown, and secure with M16 x 120 bolt (B) and nut (C). Torque nut (C) to 47–54 Nm (35–40 ft·lbf).

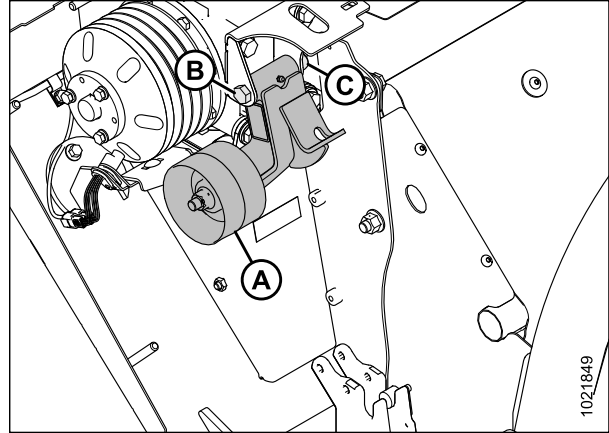


Figure 4.172: Tensioner

3. Install spring (A) into forward hole (B) in frame.
4. Install eyebolt (C) onto spring (A) and tensioner (D). Secure eyebolt (C) to tensioner (D) with hardened washer (E), and two M10 nuts (F), and straight pin (G).

NOTE:

Install conditioner drive belt after reattaching header to adapter.

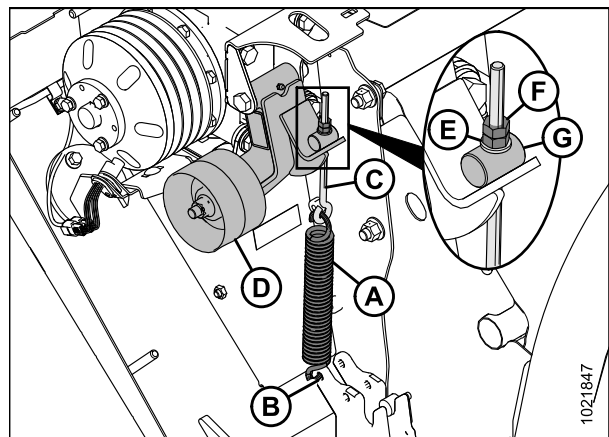


Figure 4.173: Tensioner

4.10.4 Replacing Shield (No Conditioner)

Removing Discharge Shield (No Conditioner)

Follow these steps to remove the shielding installed on a disc header configured without a conditioner:

1. Disconnect and remove the header from the windrower.
2. On both ends of the header, remove four M16 hex head bolts (A), nuts, and flat washers securing shield (B) to header (C).

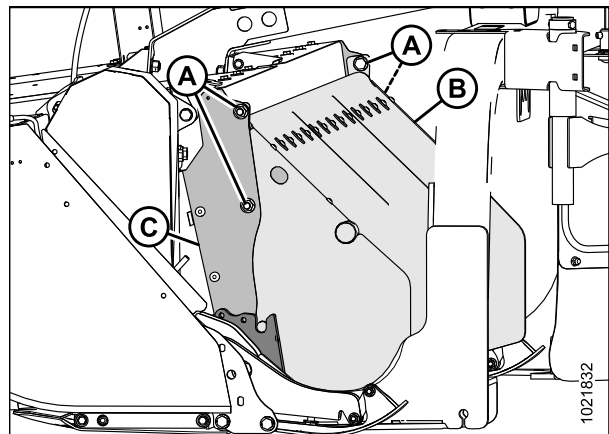


Figure 4.174: Left Side of Header (Right Opposite)

MAINTENANCE AND SERVICING

3. Lift the shield (A) until pins (B) disengage from slots in support (C).

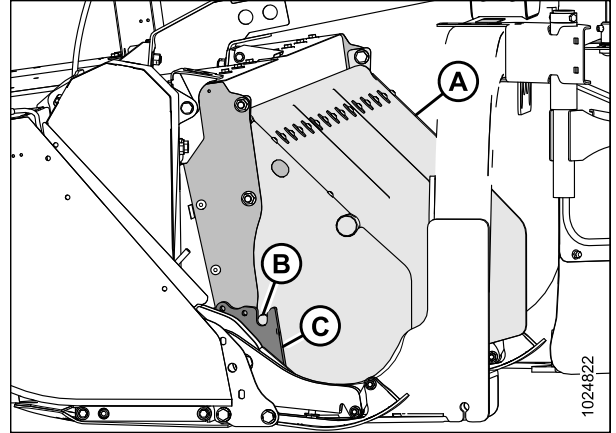


Figure 4.175: Left Side of Header (Right Opposite)

Installing Discharge Shield (No Conditioner)

Follow these steps to install the shielding on a configured without a conditioner:

1. Position shield (A) until pins (B) engage the slots in support (C) and bolt holes in shield align with holes (D) in header.

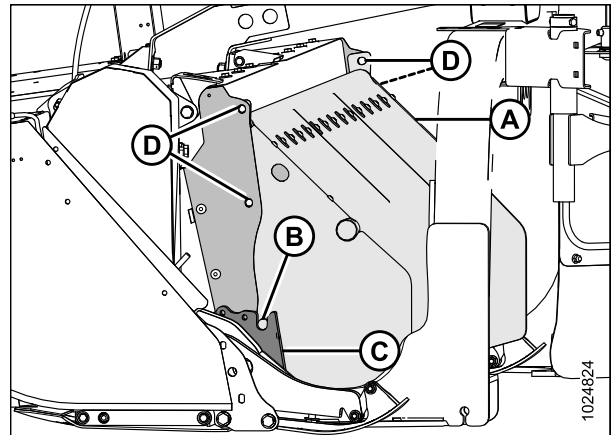


Figure 4.176: Left Side of Header (Right Opposite)

2. Secure shield (B) to the header with four M16 hex head bolts (A), nuts, and flat washers.
3. Ensure bolt heads face inboard and torque nuts to 224–298 Nm (165–220 ft·lbf).

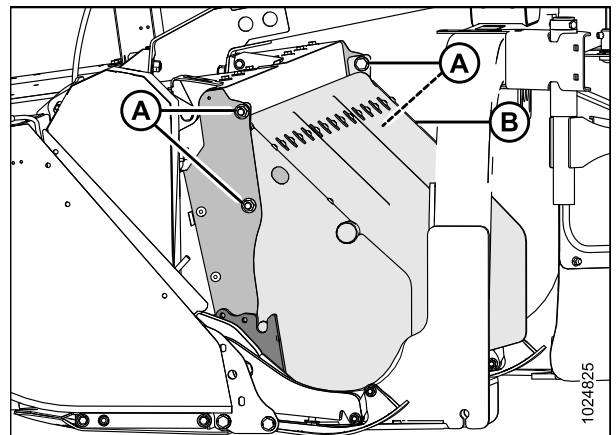


Figure 4.177: Left Side of Header (Right Opposite)

4.10.5 Replacing Driveshields

If driveshields are missing, severely damaged, or are not securely installed due to damage must be replaced.

Removing Driveshields

CAUTION

Do NOT operate the machine without the driveshields in place and secured.

NOTE:

Images shown in procedure are for left side driveshield (A).
Right side driveshield is similar.

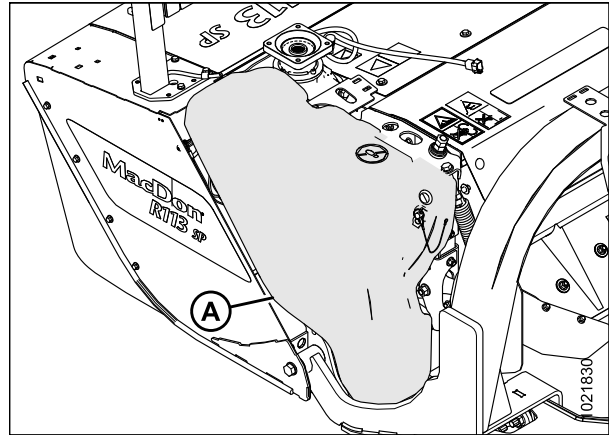


Figure 4.178: Left Driveshield

1. Remove lynch pin (A) and tool (B) from pin (C).

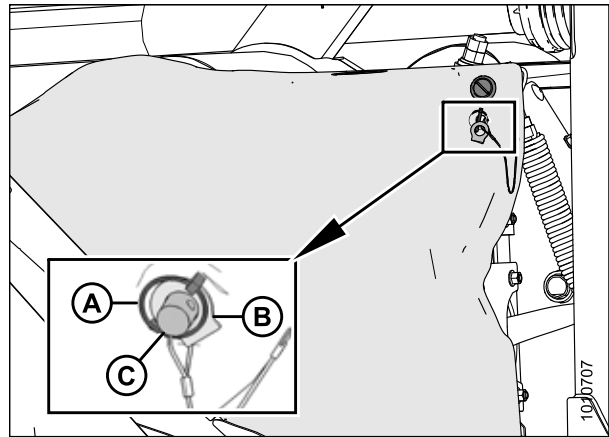


Figure 4.179: Tool to Unlock Driveshield

MAINTENANCE AND SERVICING

2. Insert flat end of tool (A) into latch (B) and turn it counterclockwise to unlock.

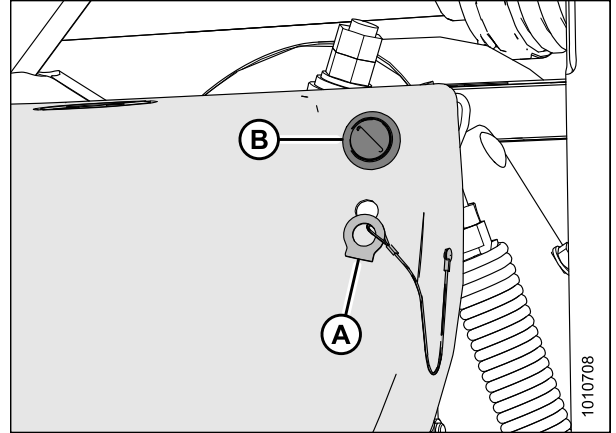


Figure 4.180: Tool to Unlock Driveshield and Latch

3. Pull top of driveshield (A) away from the header and lift off the pins at the base of the shield to remove.

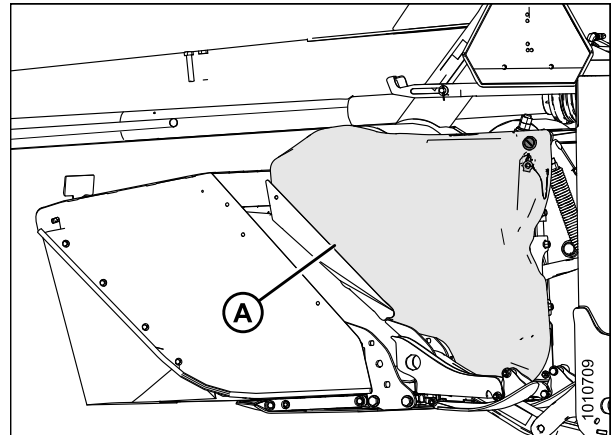


Figure 4.181: Driveshield

Installing Driveshields

CAUTION

Do NOT operate the machine without the driveshields in place and secured.

NOTE:

Images shown in procedure are for left side driveshield—right side driveshield is similar.

MAINTENANCE AND SERVICING

1. Position driveshield (A) onto pins (B) at base of driveshield.
2. Push driveshield to engage latch (C).
3. Check that driveshield (A) is properly secured.

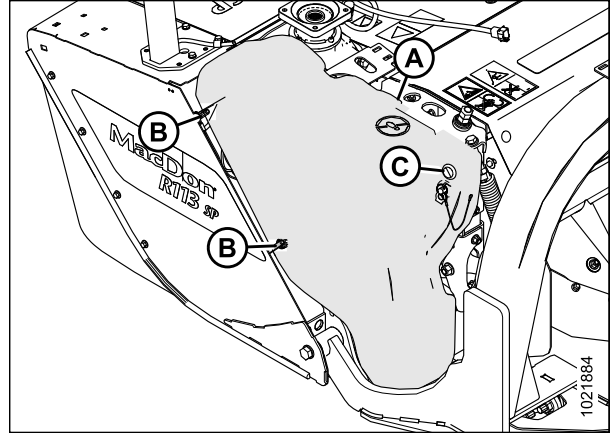


Figure 4.182: Driveshield and Latch

4. Replace tool (B) and lynch pin (A) on pin (C).

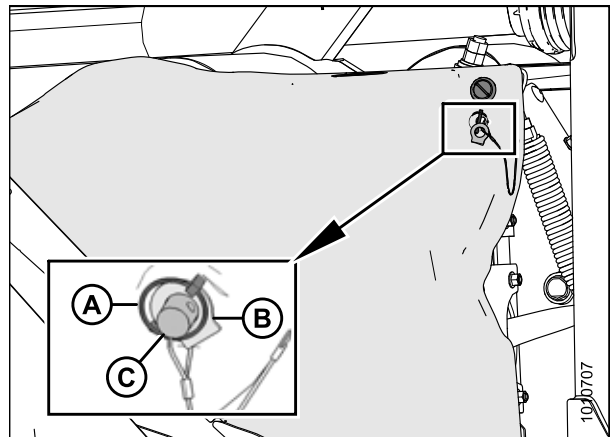


Figure 4.183: Tool to Unlock Driveshield

Replacing Driveshield Latch

CAUTION

Do NOT operate the machine without the driveshields in place and secured.

NOTE:

Images shown are for left side driveshield—right side driveshield is similar.

MAINTENANCE AND SERVICING

1. Remove driveshield (A). Refer to *Removing Driveshields, page 178*.

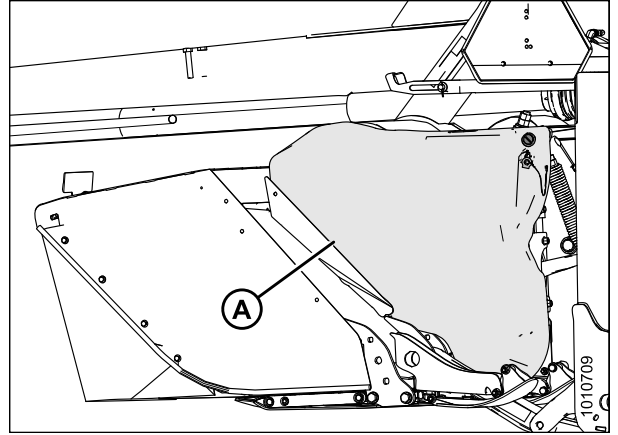


Figure 4.184: Driveshield

2. Remove hex nut (A) and flat washer securing latch to backside of driveshield, replace latch if worn or damaged, and reinstall nut and washer.

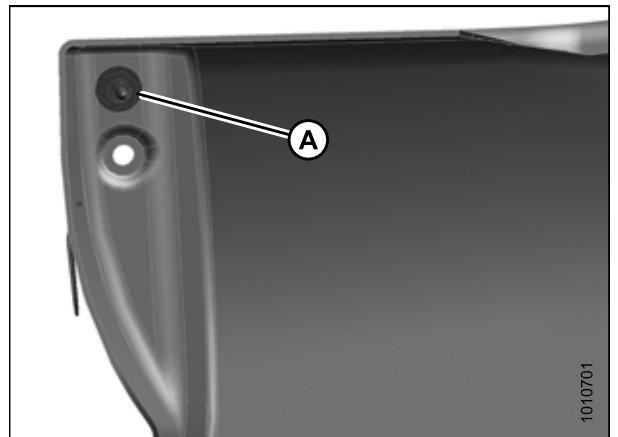


Figure 4.185: Backside of Driveshield

3. Remove two carriage bolts (A), replace stud and clip assembly (B) if worn or damaged, and reinstall carriage bolts.
4. Install driveshield. Refer to *Installing Driveshields, page 179*.

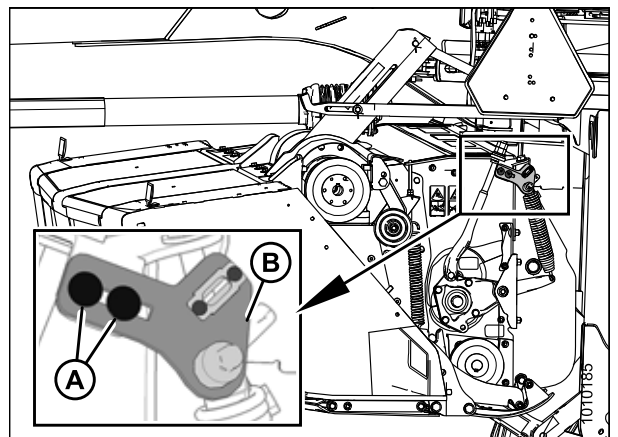


Figure 4.186: Stud and Clip Assembly

4.11 Servicing Electrical System

4.11.1 Maintaining Electrical System

- Use electrical tape and cable ties as required to prevent wiring harness from dragging or rubbing.
- Keep lights clean and replace defective bulbs.

4.11.2 Replacing Amber Hazard/Signal Light Fixture

1. Remove four nuts (A) (only three shown) securing light to bracket, and remove light. Disconnect light from electrical harness.
2. Connect new light to the electrical harness.
3. Position light on bracket with bolts, and install and tighten four nuts (A).
4. Check operation of new light.

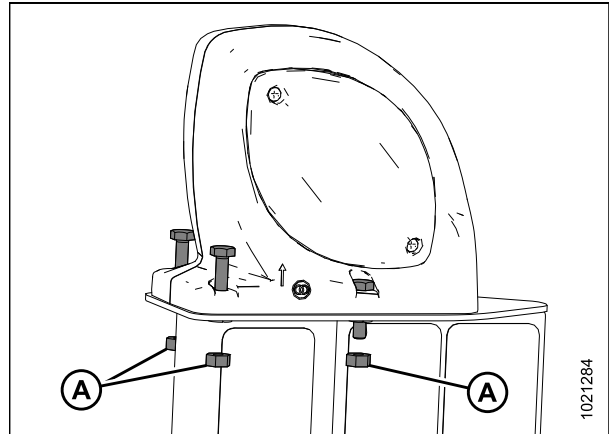


Figure 4.187: Amber Hazard Light

4.11.3 Replacing Amber Hazard/Signal Bulb

1. Remove two Phillips screws (A) from fixture, and remove the plastic lens.
2. Replace bulb, and reinstall plastic lens and screws.
 - Bulb—Trade #1157

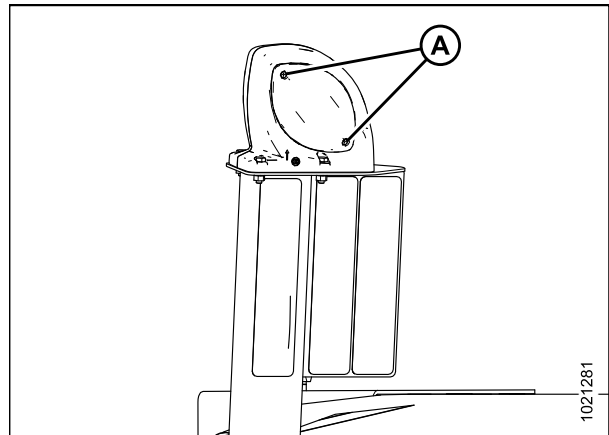


Figure 4.188: Plastic Lens and Screws

4.11.4 Replacing Header RPM Sensor

If the header rpm sensor malfunctions or is damaged, use this procedure to replace it.

1. Lower header fully, turn off engine, and remove key.
 2. Remove left driveshield. Refer to *Removing Driveshields, page 178*.
 3. Remove plastic fastener (B) from bracket and cut cable tie (E) securing sensor wire to existing harness.
 4. Disconnect wire harness (C) from speed sensor connector (D).
 5. Remove nut (F) from end of sensor and remove sensor from bracket (A).
 6. Remove nut from end of new sensor, install new sensor into bracket (C) and secure with nut (F).
- NOTE:**
Use upper hole if header is attached to a M155/M155E4 windrower. Use lower hole if header is attached to a M1170 windrower.
7. Connect sensor wire (D) to harness (C).
 8. Install plastic fastener (B) in small hole in bracket (A). Secure sensor wire to fastener (B) with cable tie, allowing 102–104 mm (4–4-3/16 in.) between fastener and sensor.
 9. Secure the sensor wire to the header harness (C) with plastic cable tie (E). Ensure wires are clear of belt and pulley.
 10. Adjust nuts (A) as required to achieve a 2–3 mm (1/16–1/8 in.) gap (B) between the sensor (C) and the pulley (D). Ensure sensor face and pulley face are parallel. Bend bracket (E) as required.
 11. Tighten nuts (A) to 12 Nm (9 lbf·ft).
 12. Reinstall driveshield. Refer to *Installing Driveshields, page 179*.
 13. Start windrower, engage header, and check operation of speed sensor on monitor. The sensor may require re-calibrating. Refer to the windrower operator's manual.

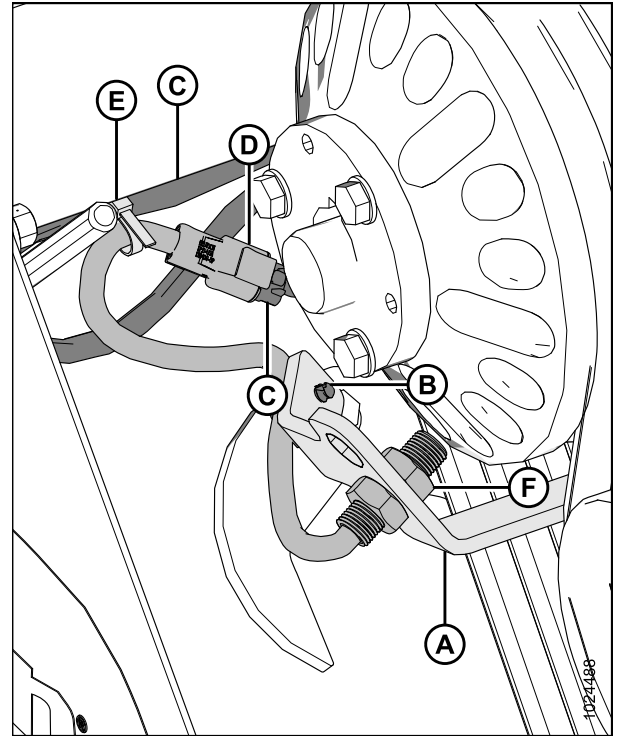


Figure 4.189: Header RPM Sensor

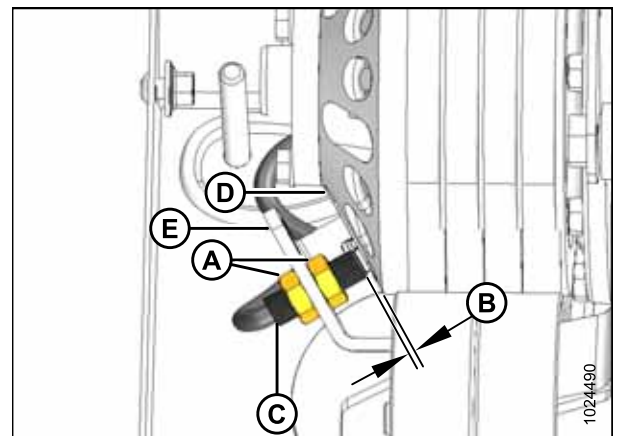


Figure 4.190: Header RPM Sensor

4.12 Hydraulics

4.12.1 Checking Hydraulic Hoses and Lines

Check hydraulic hoses and lines daily for signs of leaks.

WARNING

- **Avoid high-pressure fluids.** Escaping fluid can penetrate the skin causing serious injury. Relieve pressure before disconnecting hydraulic lines. Tighten all connections before applying pressure. Keep hands and body away from pin holes and nozzles which eject fluids under high pressure.
- **If any fluid is injected into the skin, it must be surgically removed within a few hours by a doctor familiar with this type of injury or gangrene may result.**



Figure 4.191: Hydraulic Pressure Hazard

- **Use a piece of cardboard or paper to search for leaks.**

IMPORTANT:

Keep hydraulic coupler tips and connectors clean. Allowing dust, dirt, water, or foreign material to enter the system is the major cause of hydraulic system damage. Do **NOT** attempt to service hydraulic systems in the field. Precision fits require a perfectly clean connection during overhaul.

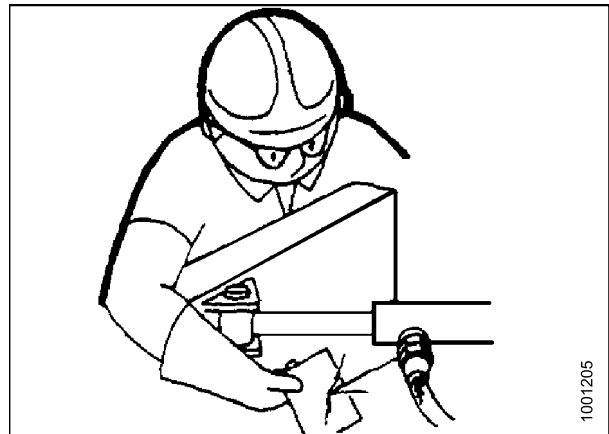


Figure 4.192: Testing for Hydraulic Leaks

5 Optional Kits

The following kits are available through your MacDon Dealer. The Dealer will require the bundle number for pricing and availability.

5.1 Kit Descriptions

5.1.1 Tall Crop Divider Kit

Tall crop dividers attach to the ends of the self-propelled disc header for clean crop dividing and cutterbar entry in tall crops. The kit includes left and right dividers and attachment hardware.

MD #B5800

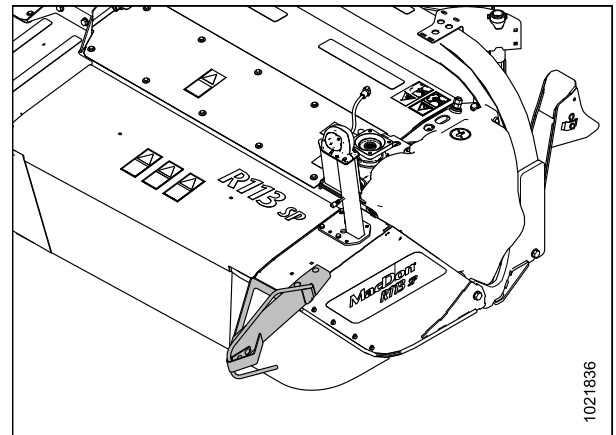


Figure 5.1: Left Side Tall Crop Divider

5.1.2 No Conditioner Kit

The R113 SP Disc Header can be operated without a conditioner. Kit includes required rear windrow shielding and curtain.

MD #B5818

5.1.3 Polyurethane Roll Conditioner Kit

Rolls condition the crop by crimping and crushing the stem in several places, which allows the release of moisture resulting in faster drying times. A polyurethane roll conditioner is better suited for crushing stems while providing reduced crimping and is recommended for alfalfa, clover, legumes, and similar crops. The kit includes the conditioner and installation hardware.

MD #B6557

5.1.4 Steel Roll Conditioner Kit

Rolls condition the crop by crimping and crushing the stem in several places, which allows the release of moisture resulting in faster drying times. Steel rolls with a larger gap (up to 25 mm [1 in.]) may be desirable for thick stemmed cane-type crops; however, too large a gap may cause feeding problems. Steel rolls are recommended for these types of situations. The kit includes the conditioner and installation hardware.

MD #B6558

6 Troubleshooting

6.1 Performance Problems

Symptom	Problem	Solution	Refer to
Cutterbar plugging	Dull, bent, or badly worn discblades	Replace discblades.	<ul style="list-style-type: none"> Removing Discblades, page 122 Installing Discblades, page 123
	Build-up of dirt between rock guards	Decrease header angle and increase float. In some conditions, it may be necessary to carry header slightly with header lift cylinders.	<ul style="list-style-type: none"> 3.8.1 Cutting Height, page 69 Refer to windrower operator's manual
	Conditioner drive belt slipping	Adjust conditioner drive belt tension.	4.10.2 Replacing Conditioner Drive Belt, page 163
Ragged or uneven cutting of crop	Header angle too flat for guards to pick up downed crop	Increase header angle.	3.8.1 Cutting Height, page 69
	Downed crop	Adjust header angle to cut closer to ground.	
	Header float too light, causing bouncing	Adjust to heavier float setting.	Refer to windrower operator's manual
	Excessive ground speed	Reduce ground speed.	—
Strips of uncut crop left on field	Dull, bent, or badly worn discblades	Replace discblades.	<ul style="list-style-type: none"> Removing Discblades, page 122 Installing Discblades, page 123
	Build-up of dirt between rock guards	Decrease header angle and increase float. In some conditions, it may be necessary to carry header slightly with header lift cylinders.	<ul style="list-style-type: none"> 3.8.1 Cutting Height, page 69 Refer to windrower operator's manual
	Excessive header speed	Reduce header disc speed.	—
	Foreign object on cutterbar	Disengage header and stop engine. When all moving parts are completely stopped, remove foreign object.	4.5.2 Replacing Cutterbar Discs, page 106

TROUBLESHOOTING

Symptom	Problem	Solution	Refer to
Strips of uncut crop left on field (continued)	Disc not turning	Replace spindle key.	<i>Installing Cutterbar Spindles, page 114</i>
	Ground speed too slow	Increase ground speed.	—
Conditioner rolls plugging	Ground speed too fast	Reduce ground speed.	—
	Roll gap too large for proper feeding	Decrease roll gap.	<ul style="list-style-type: none"> • <i>Adjusting Roll Gap: Polyurethane Rolls, page 76</i> • <i>Adjusting Roll Gap: Steel Rolls, page 77</i>
	Roll gap too small in thick-stemmed cane-type crops	Increase roll gap.	
	Swath baffle set too low	Raise swath baffle.	<i>3.10.4 Adjusting Forming Shields: Roll Conditioner, page 82</i>
	Roll speed too low	Increase disc speed.	—
	Foreign object between rolls	Disengage header and stop engine. When all moving parts are completely stopped, remove foreign object.	<i>4.5.2 Replacing Cutterbar Discs, page 106</i>
	Cutting height too low	Decrease header angle to raise cutting height.	<i>3.8.1 Cutting Height, page 69</i>
	Backing into windrow	Raise header before backing up.	—
	Rolls improperly timed	Adjust roll timing.	<i>Adjusting Roll Timing, page 79</i>
Uneven formation and bunching of windrow	Rear deflector bypassing or dragging crop	Adjust rear deflector for proper crop control.	<i>Positioning Forming Shield Rear Baffle: Roll Conditioner, page 83</i>
	Forming shields improperly adjusted	Adjust roll conditioner forming shields.	<ul style="list-style-type: none"> • <i>Positioning Forming Shield Side Deflectors: Roll Conditioner, page 82</i> • <i>Positioning Forming Shield Rear Baffle: Roll Conditioner, page 83</i>
	Roll gap too large	Adjust roll gap.	<ul style="list-style-type: none"> • <i>Adjusting Roll Gap: Polyurethane Rolls, page 76</i> • <i>Adjusting Roll Gap: Steel Rolls, page 77</i>
Uneven formation and bunching of windrow	Conditioner rolls running too slow	Maintain rated header speed.	Refer to windrower operator's manual

TROUBLESHOOTING

Symptom	Problem	Solution	Refer to
Uneven windrow formation in light crop	Uneven feeding	Reduce header speed.	Refer to windrower operator's manual
Plugging behind end hourglass deflectors	Ground speed too slow	Increase ground speed.	—
Not cutting short enough in down crop	Ground speed too fast	Reduce ground speed.	—
	Broken, bent, or dull blades	Replace blades or turn blades over.	<ul style="list-style-type: none"> • <i>Removing Discblades, page 122</i> • <i>Installing Discblades, page 123</i>
	Cutting height too high	Adjust header angle steeper to lower cutting height if field conditions allow.	<i>3.8.1 Cutting Height, page 69</i>
Material being pulled out by roots when cutting. Tall crop leaning into machine	Crop in conditioner rolls before crop is cut	Increase roll gap.	<ul style="list-style-type: none"> • <i>Adjusting Roll Gap: Polyurethane Rolls, page 76</i> • <i>Adjusting Roll Gap: Steel Rolls, page 77</i>
Damaged leaves and broken stems	Insufficient roll gap		
	Roll timing off	Check roll timing and adjust if necessary.	<ul style="list-style-type: none"> • <i>Checking Roll Timing, page 79</i> • <i>Adjusting Roll Timing, page 79</i>
Cutting height varies from one side to the other	Float not properly balanced	Adjust header float.	Refer to windrower operator's manual

TROUBLESHOOTING

Symptom	Problem	Solution	Refer to
Slow crop drying	Crop is bunched in windrow	Adjust forming shields/ baffle.	<ul style="list-style-type: none"> • <i>Positioning Forming Shield Side Deflectors: Roll Conditioner, page 82</i> • <i>Positioning Forming Shield Rear Baffle: Roll Conditioner, page 83</i>
	Rolls not crimping crop sufficiently	Decrease roll gap.	<ul style="list-style-type: none"> • <i>Adjusting Roll Gap: Polyurethane Rolls, page 76</i> • <i>Adjusting Roll Gap: Steel Rolls, page 77</i>
Excessive drying or bleaching of crop	Excessive crimping	Increase roll gap.	<ul style="list-style-type: none"> • <i>Adjusting Roll Gap: Polyurethane Rolls, page 76</i> • <i>Adjusting Roll Gap: Steel Rolls, page 77</i>

TROUBLESHOOTING

Excessive drying or bleaching of crop	Crop is spread too wide in windrow	Adjust forming shields.	<ul style="list-style-type: none"> • <i>Positioning Forming Shield Side Deflectors: Roll Conditioner, page 82</i> • <i>Positioning Forming Shield Rear Baffle: Roll Conditioner, page 83</i>
Poorly formed or bunchy windrows	Forming shields not properly positioned		

TROUBLESHOOTING

6.2 Mechanical Problems

Symptom	Problem	Solution	Refer to
Excessive noise	Bent discblade	Replace blade.	<ul style="list-style-type: none"> • <i>Removing Discblades, page 122</i> • <i>Installing Discblades, page 123</i>
	Conditioner roll timing off	Check roll timing and adjust if necessary.	<ul style="list-style-type: none"> • <i>Checking Roll Timing, page 79</i> • <i>Adjusting Roll Timing, page 79</i>
	Bent drum deflector	Replace drum.	<i>4.5.7 Replacing Large Drums, page 130</i>
	Conditioner roll gap too small	Check gap and adjust if necessary.	<ul style="list-style-type: none"> • <i>Checking Roll Gap, page 75</i> • <i>Adjusting Roll Gap: Polyurethane Rolls, page 76</i> • <i>Adjusting Roll Gap: Steel Rolls, page 77</i>
Excessive vibration or noise in header	Mud deposits on conditioner rolls	Clean rolls.	—
	Conditioner rolls contacting each other	Increase roll gap.	<ul style="list-style-type: none"> • <i>Adjusting Roll Gap: Polyurethane Rolls, page 76</i> • <i>Adjusting Roll Gap: Steel Rolls, page 77</i>
		Check roll timing.	<i>Checking Roll Timing, page 79</i>
Excessive heat in cutterbar	Incorrect level of lubricant in cutterbar—either too little or too much	Drain lubricant and refill with specified amount.	<i>Draining Cutterbar, page 104</i>
Frequent blade damage	Mud on cutterbar	Remove mud from cutterbar. Do NOT allow mud to dry on cutterbar.	—
	Spindle bearing failure	Replace spindle bearing.	<ul style="list-style-type: none"> • <i>Removing Cutterbar Spindles, page 110</i> • <i>Installing Cutterbar Spindles, page 114</i>
	Header float set too heavy	Increase flotation.	Refer to windrower operator's manual

TROUBLESHOOTING

Symptom	Problem	Solution	Refer to
Frequent blade damage (continued)	Material wrapped around spindle	Remove disc and remove material.	<ul style="list-style-type: none"> • <i>Removing Discblades, page 122</i> • <i>Installing Discblades, page 123</i>
	Cutting too low in rocky field conditions	Decrease header angle: increase flotation.	<i>3.8.1 Cutting Height, page 69</i> and refer to windrower operator's manual
	Ground speed too high in rocky field conditions. At high ground speed, header tends to dig rocks from ground instead of floating over them	Reduce ground speed.	—
	Discblades incorrectly mounted	Check all blade mounting hardware and ensure blades are free to move.	<i>Inspecting Discblades, page 118</i>
Excessive wear of cutting components	Header angle too steep	Reduce header angle.	<i>3.8.1 Cutting Height, page 69</i>
	Crop residue and dirt deposits on cutterbar	Clean cutterbar.	—
	Mud on cutterbar	Remove mud from cutterbar. Do NOT allow mud to dry on cutterbar.	
Machine pulling to one side	Header dragging on one end and pulling to that side	Adjust header flotation on both ends.	Refer to windrower operator's manual
Breakage of conditioner roll timing belt	Belt not in proper groove in pulley	Move belt to proper groove.	<i>4.10.2 Replacing Conditioner Drive Belt, page 163</i>
	Foreign object between rolls	Disengage header and stop the engine. When all moving parts are completely stopped, remove foreign object.	<i>Inspecting Conditioner Drive Belt, page 163</i>
	Belt pulleys and idlers misaligned	Align pulleys and idler.	See MacDon Dealer
Conditioner roll does not rotate	Faulty drive belt	Check drive belt pulleys.	<i>Inspecting Conditioner Drive Belt, page 163</i>
Disc does not turn when engaging header	Hoses not connected	Connect hoses.	<i>3.4 Attaching Header to Windrower, page 27</i>
	Poor electrical connection at pump solenoid	Check connection at windrower.	Refer to windrower operator's manual

TROUBLESHOOTING

Symptom	Problem	Solution	Refer to
Cutterbar discs do not turn when engaging header	Faulty header drive 90-degree gearbox	Check gearbox.	<ul style="list-style-type: none"> • <i>4.7 Servicing Header Drive Gearbox, page 151</i> • <i>4.7.1 Checking and Changing Header Drive Gearbox Oil, page 151</i>
Header slows when going uphill	Hydraulic oil level in windrower is low	Add oil to windrower reservoir.	Refer to windrower operator's manual
Header runs while unloaded, but slows or stops when starting to cut	Defective hydraulic motor	Repair/replace hydraulic motor.	See MacDon Dealer
	Defective hydraulic pump in windrower	Repair/replace pump.	
	Defective relief valve in windrower	Repair/replace relief valve.	
	Cold oil in hydraulic drive system	Reduce ground speed until oil reaches operating temperature.	—

7 Reference

7.1 Torque Specifications

The following tables provide correct torque values for various bolts, cap screws, and hydraulic fittings.

- Tighten all bolts to torque values specified in charts (unless otherwise noted throughout this manual).
- Replace hardware with same strength and grade of bolt.
- Use torque value tables as a guide and periodically check tightness of bolts.
- Understand torque categories for bolts and cap screws by using their identifying head markings.

Jam nuts

When applying torque to finished jam nuts, multiply the torque applied to regular nuts by $f=0.65$.

Self-tapping screws

Standard torque is to be used (**NOT** to be used on critical or structurally important joints).

7.1.1 Metric Bolt Specifications

Table 7.1 Metric Class 8.8 Bolts and Class 9 Free Spinning Nut

Nominal Size (A)	Torque (Nm)		Torque (lbf·ft) (*lbf·in)	
	Min.	Max.	Min.	Max.
3-0.5	1.4	1.6	*13	*14
3.5-0.6	2.2	2.5	*20	*22
4-0.7	3.3	3.7	*29	*32
5-0.8	6.7	7.4	*59	*66
6-1.0	11.4	12.6	*101	*112
8-1.25	28	30	20	23
10-1.5	55	60	40	45
12-1.75	95	105	70	78
14-2.0	152	168	113	124
16-2.0	236	261	175	193
20-2.5	460	509	341	377
24-3.0	796	879	589	651

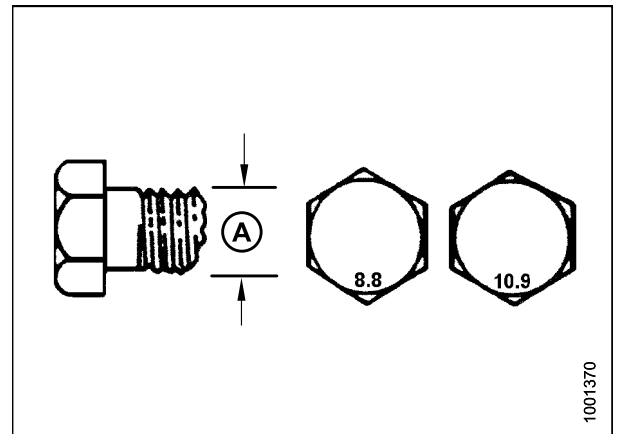


Figure 7.1: Bolt Grades

REFERENCE

Table 7.2 Metric Class 8.8 Bolts and Class 9 Distorted Thread Nut

Nominal Size (A)	Torque (Nm)		Torque (lbf-ft) (*lbf-in)	
	Min.	Max.	Min.	Max.
3-0.5	1	1.1	*9	*10
3.5-0.6	1.5	1.7	*14	*15
4-0.7	2.3	2.5	*20	*22
5-0.8	4.5	5	*40	*45
6-1.0	7.7	8.6	*69	*76
8-1.25	18.8	20.8	*167	*185
10-1.5	37	41	28	30
12-1.75	65	72	48	53
14-2.0	104	115	77	85
16-2.0	161	178	119	132
20-2.5	314	347	233	257
24-3.0	543	600	402	444

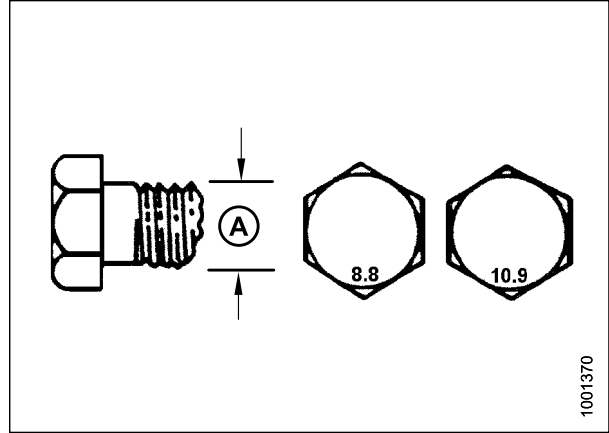


Figure 7.2: Bolt Grades

Table 7.3 Metric Class 10.9 Bolts and Class 10 Free Spinning Nut

Nominal Size (A)	Torque (Nm)		Torque (lbf-ft) (*lbf-in)	
	Min.	Max.	Min.	Max.
3-0.5	1.8	2	*18	*19
3.5-0.6	2.8	3.1	*27	*30
4-0.7	4.2	4.6	*41	*45
5-0.8	8.4	9.3	*82	*91
6-1.0	14.3	15.8	*140	*154
8-1.25	38	42	28	31
10-1.5	75	83	56	62
12-1.75	132	145	97	108
14-2.0	210	232	156	172
16-2.0	326	360	242	267
20-2.5	637	704	472	521
24-3.0	1101	1217	815	901

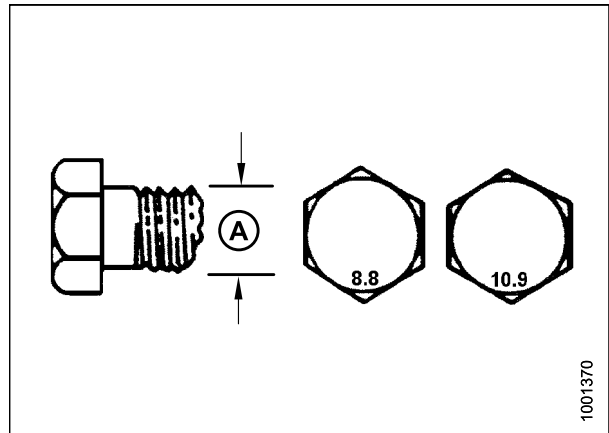


Figure 7.3: Bolt Grades

REFERENCE

Table 7.4 Metric Class 10.9 Bolts and Class 10 Distorted Thread Nut

Nominal Size (A)	Torque (Nm)		Torque (lbf-ft) (*lbf-in)	
	Min.	Max.	Min.	Max.
3-0.5	1.3	1.5	*12	*13
3.5-0.6	2.1	2.3	*19	*21
4-0.7	3.1	3.4	*28	*31
5-0.8	6.3	7	*56	*62
6-1.0	10.7	11.8	*95	*105
8-1.25	26	29	19	21
10-1.5	51	57	38	42
12-1.75	90	99	66	73
14-2.0	143	158	106	117
16-2.0	222	246	165	182
20-2.5	434	480	322	356
24-3.0	750	829	556	614

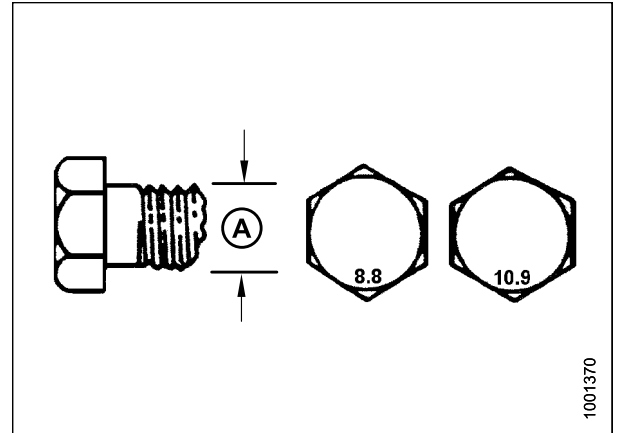


Figure 7.4: Bolt Grades

7.1.2 Metric Bolt Specifications Bolting into Cast Aluminum

Table 7.5 Metric Bolt Bolting into Cast Aluminum

Nominal Size (A)	Bolt Torque			
	8.8 (Cast Aluminum)		10.9 (Cast Aluminum)	
	Nm	lbf-ft	Nm	lbf-ft
M3	–	–	–	1
M4	–	–	4	2.6
M5	–	–	8	5.5
M6	9	6	12	9
M8	20	14	28	20
M10	40	28	55	40
M12	70	52	100	73
M14	–	–	–	–
M16	–	–	–	–

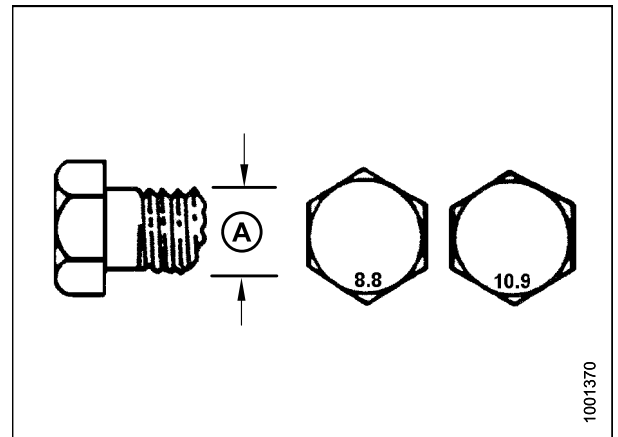


Figure 7.5: Bolt Grades

REFERENCE

7.1.3 O-Ring Boss (ORB) Hydraulic Fittings (Adjustable)

1. Inspect O-ring (A) and seat (B) for dirt or obvious defects.
2. Back off lock nut (C) as far as possible. Ensure that washer (D) is loose and is pushed toward lock nut (C) as far as possible.
3. Check that O-ring (A) is **NOT** on threads and adjust if necessary.
4. Apply hydraulic system oil to O-ring (A).

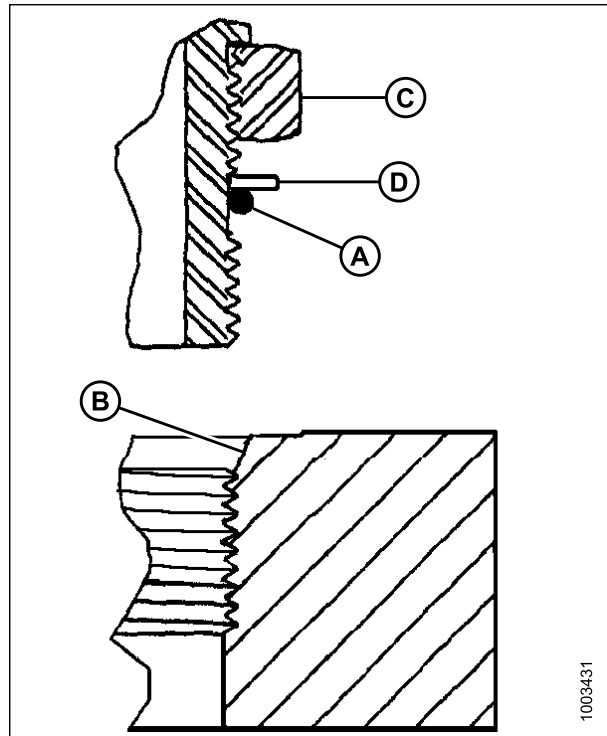


Figure 7.6: Hydraulic Fitting

5. Install fitting (B) into port until back up washer (D) and O-ring (A) contact part face (E).
6. Position angle fittings by unscrewing no more than one turn.
7. Turn lock nut (C) down to washer (D) and tighten to torque shown. Use two wrenches, one on fitting (B) and other on lock nut (C).
8. Check final condition of fitting.

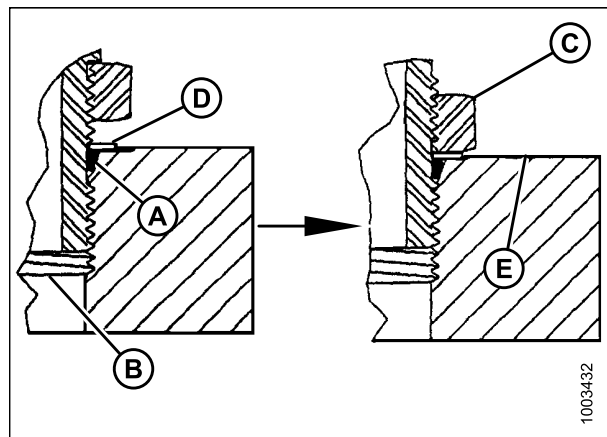


Figure 7.7: Hydraulic Fitting

REFERENCE

Table 7.6 O-Ring Boss (ORB) Hydraulic Fittings (Adjustable)

SAE Dash Size	Thread Size (in.)	Torque Value ⁶	
		Nm	lbf·ft (*lbf·in)
-2	5/16-24	6-7	*53-62
-3	3/8-24	12-13	*106-115
-4	7/16-20	19-21	14-15
-5	1/2-20	21-33	15-24
-6	9/16-18	26-29	19-21
-8	3/4-16	46-50	34-37
-10	7/8-14	75-82	55-60
-12	1-1/16-12	120-132	88-97
-14	1-3/8-12	153-168	113-124
-16	1-5/16-12	176-193	130-142
-20	1-5/8-12	221-243	163-179
-24	1-7/8-12	270-298	199-220
-32	2-1/2-12	332-365	245-269

6. Torque values shown are based on lubricated connections as in reassembly.

REFERENCE

7.1.4 O-Ring Boss (ORB) Hydraulic Fittings (Non-Adjustable)

1. Inspect O-ring (A) and seat (B) for dirt or obvious defects.
2. Check that O-ring (A) is **NOT** on threads and adjust if necessary.
3. Apply hydraulic system oil to O-ring.
4. Install fitting (C) into port until fitting is hand-tight.
5. Torque fitting (C) according to values in Table 7.7, page 200.
6. Check final condition of fitting.

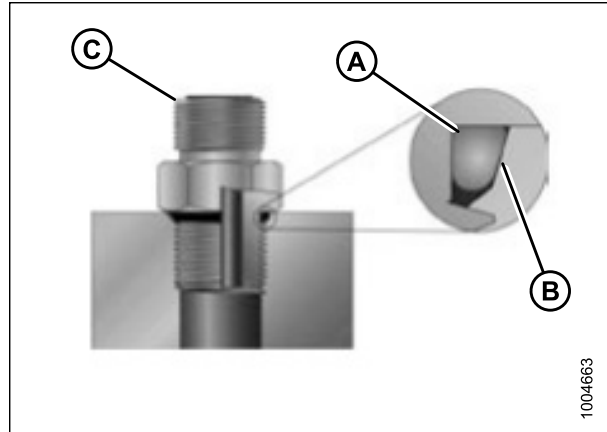


Figure 7.8: Hydraulic Fitting

Table 7.7 O-Ring Boss (ORB) Hydraulic Fittings (Non-Adjustable)

SAE Dash Size	Thread Size (in.)	Torque Value ⁷	
		Nm	lbf·ft (*lbf·in)
-2	5/16–24	6–7	*53–62
-3	3/8–24	12–13	*106–115
-4	7/16–20	19–21	14–15
-5	1/2–20	21–33	15–24
-6	9/16–18	26–29	19–21
-8	3/4–16	46–50	34–37
-10	7/8–14	75–82	55–60
-12	1-1/16–12	120–132	88–97
-14	1-3/8–12	153–168	113–124
-16	1-5/16–12	176–193	130–142
-20	1-5/8–12	221–243	163–179
-24	1-7/8–12	270–298	199–220
-32	2-1/2–12	332–365	245–269

7. Torque values shown are based on lubricated connections as in reassembly.

REFERENCE

7.1.5 O-Ring Face Seal (ORFS) Hydraulic Fittings

1. Check components to ensure that sealing surfaces and fitting threads are free of burrs, nicks, scratches, or any foreign material.



Figure 7.9: Hydraulic Fitting

2. Apply hydraulic system oil to O-ring (B).
3. Align tube or hose assembly so that flat face of sleeve (A) or (C) comes in full contact with O-ring (B).
4. Thread tube or hose nut (D) until hand-tight. The nut should turn freely until it is bottomed out.
5. Torque fittings according to values in Table 7.8, page 201.

NOTE:

If applicable, hold hex on fitting body (E) to prevent rotation of fitting body and hose when tightening fitting nut (D).

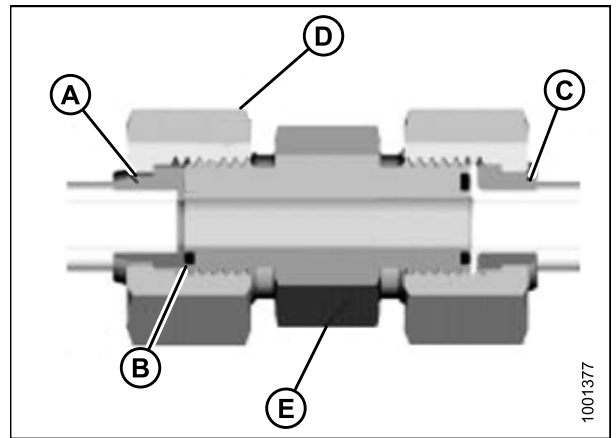


Figure 7.10: Hydraulic Fitting

6. Use three wrenches when assembling unions or joining two hoses together.
7. Check final condition of fitting.

Table 7.8 O-Ring Face Seal (ORFS) Hydraulic Fittings

SAE Dash Size	Thread Size (in.)	Tube O.D. (in.)	Torque Value ⁸	
			Nm	lbf-ft
-3	Note ⁹	3/16	–	–
-4	9/16	1/4	25–28	18–21
-5	Note ⁹	5/16	–	–
-6	11/16	3/8	40–44	29–32
-8	13/16	1/2	55–61	41–45
-10	1	5/8	80–88	59–65
-12	1-3/16	3/4	115–127	85–94

8. Torque values and angles shown are based on lubricated connection as in reassembly.
9. O-ring face seal type end not defined for this tube size.

REFERENCE

Table 7.8 O-Ring Face Seal (ORFS) Hydraulic Fittings (continued)

SAE Dash Size	Thread Size (in.)	Tube O.D. (in.)	Torque Value ¹⁰	
			Nm	lbf-ft
-14	Note ⁹	7/8	–	–
-16	1-7/16	1	150–165	111–122
-20	1-11/16	1-1/4	205–226	151–167
-24	1–2	1-1/2	315–347	232–256
-32	2-1/2	2	510–561	376–414

7.1.6 Tapered Pipe Thread Fittings

Assemble pipe fittings as follows:

1. Check components to ensure that fitting and port threads are free of burrs, nicks and scratches, or any form of contamination.
2. Apply pipe thread sealant (paste type) to external pipe threads.
3. Thread fitting into port until hand-tight.
4. Torque connector to appropriate torque angle. The Turns From Finger Tight (T.F.F.T.) values are shown in Table 7.9, page 202. Make sure that tube end of a shaped connector (typically 45° or 90°) is aligned to receive incoming tube or hose assembly. Always finish alignment of fitting in tightening direction. Never back off (loosen) pipe threaded connectors to achieve alignment.
5. Clean all residue and any excess thread conditioner with appropriate cleaner.
6. Assess final condition of fitting. Pay special attention to possibility of cracks to port opening.
7. Mark final position of fitting. If a fitting leaks, disassemble fitting and check for damage.

NOTE:

Overtorque failure of fittings may not be evident until fittings are disassembled.

Table 7.9 Hydraulic Fitting Pipe Thread

Tapered Pipe Thread Size	Recommended T.F.F.T.	Recommended F.F.F.T.
1/8–27	2–3	12–18
1/4–18	2–3	12–18
3/8–18	2–3	12–18
1/2–14	2–3	12–18
3/4–14	1.5–2.5	12–18
1–11 1/2	1.5–2.5	9–15
1 1/4–11 1/2	1.5–2.5	9–15
1 1/2–11 1/2	1.5–2.5	9–15
2–11 1/2	1.5–2.5	9–15

10. Torque values and angles shown are based on lubricated connection as in reassembly.

REFERENCE

7.2 Conversion Chart

Table 7.10 Conversion Chart

Quantity	SI Units (Metric)		Factor	US Customary Units (Standard)	
	Unit Name	Abbreviation		Unit Name	Abbreviation
Area	hectare	ha	$\times 2.4710 =$	acre	acres
Flow	liters per minute	L/min	$\times 0.2642 =$	US gallons per minute	gpm
Force	Newton	N	$\times 0.2248 =$	pound force	lbf
Length	millimeter	mm	$\times 0.0394 =$	inch	in.
Length	meter	m	$\times 3.2808 =$	foot	ft.
Power	kilowatt	kW	$\times 1.341 =$	horsepower	hp
Pressure	kilopascal	kPa	$\times 0.145 =$	pounds per square inch	psi
Pressure	megapascal	MPa	$\times 145.038 =$	pounds per square inch	psi
Pressure	bar (Non-SI)	bar	$\times 14.5038 =$	pounds per square inch	psi
Torque	Newton meter	Nm	$\times 0.7376 =$	pound feet or foot pounds	lbf-ft
Torque	Newton meter	Nm	$\times 8.8507 =$	pound inches or inch pounds	lbf-in
Temperature	degrees Celsius	°C	$(^{\circ}\text{C} \times 1.8) + 32 =$	degrees Fahrenheit	°F
Velocity	meters per minute	m/min	$\times 3.2808 =$	feet per minute	ft/min
Velocity	meters per second	m/s	$\times 3.2808 =$	feet per second	ft/s
Velocity	kilometers per hour	km/h	$\times 0.6214 =$	miles per hour	mph
Volume	liter	L	$\times 0.2642 =$	US gallon	US gal
Volume	milliliter	ml	$\times 0.0338 =$	ounce	oz.
Volume	cubic centimeter	cm ³ or cc	$\times 0.061 =$	cubic inch	in. ³
Weight	kilogram	kg	$\times 2.2046 =$	pound	lb.

Index

A

accelerators	
inspecting	125
installing	127
maintaining	124
removing	126
API	
definitions	19
assembly	
attaching R113 SP disc header to M155, M155E4	
center-link without self-alignment kit	32
hydraulic center-link with optional self-alignment	
kit	32
ASTM	
definitions	19

B

belts	
conditioner drive belt	
inspecting	163
installing	165
removing	165
bolts	
definitions	19
break-in	
break-in inspections	98
break-in period	21

C

center-links	19
definitions	19
CGVW	
definitions	19
conditioner drive	
installing	175
conditioner drive belts	163
conditioner roll timing gearbox, <i>See</i> gearboxes	
conditioners	
installing	171
removing	167
roll conditioners	75
inspecting	162
conversion chart	203
curtains	155
door curtains	
installing	157
removing	156
inboard curtains	

installing	158
removing	157
inspecting curtains	155
outboard curtains	
installing	160
removing	159
cutterbars	102, 124, 142
<i>See also</i> accelerators	
<i>See also</i> spindle shear pins	
crop stream	73
changing R113 configuration	74
cutterbar deflectors	85
installing	86
removing	85
cutterbar discblades, <i>See</i> discblades	
cutterbar doors	65
closing	68
export latches	
opening	66
inspecting	154
opening	65
discs	106
drums	130
lubricating	102
adding lubricant	102
checking lubricant level	102
draining cutterbar	104
filling cutterbar	105
maintaining cutterbar discs	
inspecting discs	106
installing discs	108
removing discs	107
cutting heights	69
adjusting cutting height	69

D

daily start-up check	22
decals	9
declaration of conformity	i
definition of terms	19
deflectors	
cutterbar deflectors	85
installing	86
removing	85
side deflectors	
positioning on roll conditioner	82
disc maintenance	
accelerators	
inspecting	125
installing	127

INDEX

- maintaining 124
 - removing 126
 - cutterbar discs
 - inspecting 106
 - installing 108
 - removing 107
 - discblades 118
 - See also* cutterbars
 - 11-degree 118
 - 18-degree 118
 - inspecting discblade hardware 120
 - inspecting discblades 118
 - installing discblades 123
 - removing discblades 122
 - discs
 - cutterbar discs 106
 - drive systems
 - conditioner drive belts 163
 - header drive gearbox 151
 - driveshield latches
 - replacing 180
 - driveshields 62
 - closing 64
 - installing 179
 - opening 62
 - removing 178
 - drums 130
 - inspecting 130
 - installing
 - driven drums and driveline 135
 - non-driven drums 140
 - removing
 - driven drums and driveline 132
 - non-driven drums 139
 - drying agents 88
- E**
- electrical 182
 - See also* lights
 - connecting header electrical
 - M1170 windrower 42
 - M155, M155E4 windrower 44
 - maintaining electrical system 182
- F**
- FFFT
 - definitions 19
 - finger tight
 - definitions 19
 - fixtures, *See* lights
 - fluids, *See* lubricants
- forming shields
 - on roll conditioner 82–83
 - positioning side deflectors 82
 - positioning rear baffle 83
- G**
- gearboxes 149
 - header drive 151
 - header drive gearbox
 - checking and changing oil 151
 - roll timing gearbox
 - checking and changing oil 149
 - glossary 19
 - greasing
 - decals 100
 - every 25 hours 101
 - greasing procedures 100
 - maintenance schedule/records 96
 - ground speed 71
 - GVW
 - definitions 19
- H**
- hayting tips 87
 - chemical drying agents 88
 - curing 87
 - driving on windrows 88
 - topsoil moisture 87
 - weather and topography 87
 - windrow characteristics 88
 - header 21
 - angle
 - adjusting angle 70
 - attaching windrowers
 - M1170 27
 - M155, M155E4
 - hydraulic center-link with optional self-alignment kit 32
 - M155E4
 - hydraulic center-link without optional self-alignment kit 37
 - detaching windrowers
 - M1170 53
 - M155, M155E4 58
 - float 71
 - maintenance and servicing 91
 - recommended settings 69
 - safety props 24
 - transporting 89
 - header rpm sensor 183
 - hex keys

INDEX

definitions.....	19
hydraulics	
connecting header hydraulics	
M1170 windrower	42
M155, M155E4 windrower.....	44
fittings	
O-ring boss (ORB) adjustable	198
O-ring boss (ORB) non-adjustable	200
O-ring face seal (ORFS).....	201
tapered pipe thread fittings	202
hoses and lines.....	184
hydraulic safety.....	6
maintenance.....	184

I

inspections	
accelerators.....	125
break-in.....	98
conditioner drive belt	163
cutterbar curtains	155
cutterbar discs	106
cutterbar doors	154
disclade hardware	120
disclades	118
drums	130
maintenance schedule/records	96
rock guards	128
roll conditioners	162
introduction.....	iii
declaration of conformity.....	i
noise levels	2

L

lights	
amber hazard/signal lights	
replacing bulbs	182
replacing light fixtures	182
lubricating.....	100
<i>See also greasing</i>	
cutterbar, <i>See</i> cutterbars	

M

maintenance and servicing	
break-in inspections	98
break-in period.....	21
end of season servicing	98
maintenance records.....	96
maintenance requirements	94
preparing for servicing	91

preseason/annual servicing	98
recommended lubricants	211
safety.....	5
safety procedures	92
schedule	96
maintenance schedule/records.....	96
metric bolts	
torque specifications	195
model numbers	
locations.....	vi
records.....	vi
moisture	87

N

no conditioner	
kit	185
noise levels.....	2
NPT	
definitions.....	19

O

operation	21
curtains	155
cutting height.....	69
daily start-up check	22
driveshields	62
haying tips.....	87
header angle	70
roll gaps	75
roll tension.....	78
roll timing.....	79
safety props.....	24–25
options and attachments	
11-degree disclades	118
no conditioner kit.....	185
polyurethane roll conditioner kit.....	185
steel roll conditioner kit	185
tall crop divider kits.....	185
ORB	
definitions.....	19

P

polyurethane roll conditioner	
kit	185
preseason servicing.....	98

R

rear baffles	
--------------	--

INDEX

positioning on roll conditioner.....	83
recommended settings	
header	69
reference	
maintenance requirements	94
rock guards.....	128
inspecting.....	128
installing.....	129
removing.....	129
RoHS	
definitions.....	19
roll conditioners.....	75
deflectors	82
forming shields	82
roll gaps	75
roll tension.....	78
roll timing.....	79
roll gaps.....	75
adjusting roll gap	
polyurethane rolls	76
steel rolls	77
roll tension	78
adjusting	78
roll timing.....	79
adjusting	79
checking.....	79
roll-type conditioning, See roll conditioners	
rpm	
definitions.....	19

S

SAE	
definitions.....	19
safety	1
daily start-up checks.....	22
general safety.....	3
header safety props	24–25
hydraulic safety.....	6
maintenance safety.....	5
noise levels	2
procedures	92
safety alert symbols	1
safety sign decals	8
installing decals	8
locations	9
signal words	2
understanding safety signs	11
screws	
definitions.....	19
serial numbers	
locations.....	vi
records.....	vi

servicing, See maintenance and servicing	
preparing for servicing.....	91
shields (no conditioner).....	176
installing.....	177
removing.....	176
specifications	
header	15
torque specifications	195
spindle shear pins	142
installing.....	145
removing.....	142
spindles	
changing	110
installing.....	114
removing.....	110
rotating.....	110
start-up procedures	
daily start-up check	22
steel roll conditioner	
kit	185

T

tall crop dividers, See options and attachments	
TFFT	
definitions.....	19
topography	87
torque	
definitions.....	19
torque angles	
definitions.....	19
torque specifications.....	195
metric bolt specifications.....	195
bolting into cast aluminum	197
O-ring boss (ORB) hydraulic fittings	
(adjutable).....	198
O-ring boss (ORB) hydraulic fittings (non-	
adjustable).....	200
O-ring face seal (ORFS) fittings.....	201
tapered pipe thread fittings.....	202
torque tensions	
definitions.....	19
transporting the header.....	89
troubleshooting	
mechanical.....	192
performance	187

W

washers	
definitions.....	19
weather	87
windrowers	

INDEX

M1170	
attaching to header	27
detaching from header	53
M155, M155E4	
attaching to header	
hydraulic center-link with optional self-	
alignment kit.....	32
detaching from header	58
M155E4	
attaching to header	
hydraulic center-link without optional self-	
alignment kit.....	37
windrows	
driving on windrows.....	88
windrow characteristics	88

Recommended Lubricants

Keep your machine operating at top efficiency by using only clean lubricants and by ensuring the following:

- Use clean containers to handle all lubricants.
- Store lubricants in an area protected from dust, moisture, and other contaminants.

IMPORTANT:

Do **NOT** overfill the cutterbar when adding lubricant. Overfilling could result in overheating and failure of cutterbar components.

Table .11 Recommended Lubricants

Lubricant	Specification	Description	Use	Capacities
Grease	SAE Multipurpose	High temperature extreme pressure (EP) performance with 1% max. Molybdenum Disulphide (NLGI Grade 2) lithium base	As required unless otherwise specified	—
Grease	SAE Multipurpose	High temperature extreme pressure (EP) performance with 10% max. Molybdenum Disulphide (NLGI Grade 2) lithium base	Driveline slip-joints	—
Gear Lubricant	SAE 80W-90	High thermal and oxidation stability API service class GL-5	Cutterbar	8 liters (8.5 qts [US])
Gear Lubricant	SAE 80W-140	Fully Synthetic Oil API GL-5 Minimum, SAE J2360 Preferred	Conditioner roll timing gearbox	0.7 liters (0.75 qts [US])
Gear Lubricant	SAE 80W-140	Fully Synthetic Oil API GL-5 Minimum, SAE J2360 Preferred	Header drive 90 degree gearbox	1.85 liters (1.95 qts [US])

MacDon Industries Ltd.

680 Moray Street
Winnipeg, Manitoba
Canada R3J 3S3
t. (204) 885-5590 f. (204) 832-7749

MacDon, Inc.

10708 N. Pomona Avenue
Kansas City, Missouri
United States 64153-1924
t. (816) 891-7313 f. (816) 891-7323

MacDon Australia Pty. Ltd.

A.C.N. 079 393 721
P.O. Box 103 Somerton, Victoria, Australia
Australia 3061
t.+61 3 8301 1911 f.+61 3 8301 1912

MacDon Brasil Agribusiness Ltda.

Rua Grã Nicco, 113, sala 202, B. 02
Mossunguê, Curitiba, Paraná
CEP 81200-200 Brasil
t. +55 (41) 2101-1713 f. +55 (41) 2101-1699

LLC MacDon Russia Ltd.

123317 Moscow, Russia
10 Presnenskaya nab, Block C
Floor 5, Office No. 534, Regus Business Centre
t. +7 495 775 6971 f. +7 495 967 7600

CUSTOMERS

MacDon.com

DEALERS

Portal.MacDon.com

Trademarks of products are the marks of their
respective manufacturers and/or distributors.