

**MacDon®**

# **C Series Corn Header**

Operator's Manual - Export

1.371.422.GB

Translation of Original Instruction

***The Harvesting Specialists.***

<b>1</b>	<b>Safety</b>	<b>5</b>
1.1	Recognize safety information	5
1.2	Safety label meanings	5
1.3	Safety label placement	8
1.4	List of active machine parts	9
<b>2</b>	<b>Introduction</b>	<b>10</b>
<b>3</b>	<b>Designation, Operation, Function</b>	<b>11</b>
<b>4</b>	<b>Identification, technical data</b>	<b>14</b>
4.1	Identification	14
4.2	Technical data, main parameters	15
<b>5</b>	<b>Shipping conditions</b>	<b>16</b>
<b>6</b>	<b>Mounting the corn head on the combine</b>	<b>18</b>
6.1	Mounting the corn heads on the combine is described below.	19
6.1.1	New Holland; Case AFX; MF 8680; 8780; Gleaner R; Gleaner C;	19
6.1.2	John Deere	19
6.1.3	Claas Mega, Claas Dominator, Claas Lexion	20
6.1.4	MF32-40 № S 52.153=>	20
6.1.5	Case-IH 1000 - 2000	20
6.1.6	Deutz-Fahr	21
6.1.7	Fiat-Laverda	21
6.1.8	ACROS	22
6.1.9	RSM-181	23
6.2	Other steps following the securing of the adapter on the combine	26
6.3	Connecting the electric snapping plate adjuster	27
6.4	Connecting the hydraulic system (for folding corn heads)	28
6.5	Mounting to a different type of combine	29
<b>7</b>	<b>Setup procedure</b>	<b>30</b>
<b>8</b>	<b>Setup procedure and adjustment of the corn head</b>	<b>31</b>
8.1	Frame	31
8.2	Gathering auger	31
8.3	Drive system	32
8.4	Snapping units	32
8.4.1	Adjustment of the snapping rolls	33
8.4.2	Distance between the snapping roll shafts	33
8.4.3	Setting labyrinth seal	33
8.4.4	Alignment	33
8.5	Snapping plate settings	34
8.6	Adjustment of the cleaning knives (1, 2)	34
8.7	Setting the chain tension of the gathering chain	35
8.8	Gearbox-adjustment of the hex shaft and gear backlash	35
8.9	Cardan shafts	36
8.10	Plastic snouts	36
8.11	Automatic header height control	37
8.12	Installing the sunflower kit	37
<b>9</b>	<b>Technical documentation for assembling the sunflower saver net</b>	<b>40</b>
9.1	Drill the necessary holes on the upper beam:	40
9.2	Assembling the central net:	41
9.3	Assembling the adjustable net:	42
9.4	Mounting the outer holders	43
9.5	Fastening the side nets	43
9.6	Mount the parts and fasten them together through the oval holes	44
9.7	The quantity of the used parts by header type:	44

10	Harvesting .....	45
10.1	Corn Head Automatic Header Height Control (AHHC) System .....	46
11	Maintenance and lubrication .....	48
11.1	Frame .....	48
11.2	Auger .....	48
11.3	Auger connecting clutches .....	48
11.4	Drive units .....	49
11.5	Input gearboxes .....	49
11.6	Drive connecting elements .....	50
11.6.1	Cardan shaft .....	50
11.6.2	Chain clutches and other designed clutches .....	50
11.7	Snapping unit .....	50
11.7.1	Gearbox .....	50
11.7.2	Snapping roll .....	53
11.7.3	Gathering chain .....	53
11.8	Lubrication chart .....	54
12	Electrical schematics .....	55
12.1	JD electrical schematic .....	55
12.2	CNH electrical schematic .....	56
12.3	AGCO electrical schematic .....	57
12.4	CLAAS Lexion electrical schematic .....	58
12.5	CIH 2000 electrical schematic .....	59
13	Troubleshooting .....	60
14	Winter storage of the corn head .....	62
15	Warranty, customer support, order of spare parts .....	63
16	Environment protection .....	64
16.1	The effects of operation on humans .....	64
16.2	Solid and other wastes .....	64
16.3	Noise emission .....	64
17	Contact .....	65
18	Inspections .....	66



Declaration No: \_\_\_\_\_/20....

### EC Declaration of Conformance (translated from the original)

[according to Annex 3 of decree No. 16/2008. (VIII.30.) NFGM and Annex II of directive No. 2006/42 EC]

**OROS Division, LINAMAR HUNGARY Co, 27 Csorvási Road, Orosháza, H-5900**

This declaration of conformity is issued under the sole responsibility of the manufacturer for the product described below

Type	Description	Serial number
CORNADO 6 row with rigid frame 70, CORNADO 6 row with rigid frame 76,2, CORNADO 8 row with rigid frame 76,2, CORNADO 12 row with rigid frame 76,2, CORNADO 6 row with foldable frame 70, CORNADO 6 row with foldable frame 76,2, CORNADO 8 row with foldable frame 76,2, CORNADO 9 row with foldable frame 76,2, CORNADO 12 row with foldable frame 76,2,	<b>Corn head adapter</b>	

The object of the declaration described above

### IS IN CONFORMITY

with the safety and health protecting regulations set forth in the following document

**Legal regulations:**

The directive No. 2006/42 EC of the European Parliament and Council, and decree No. 6/2008. (VIII.30.) NFGM adopting this directive on the safety requirements and quality certification of machines.

**Harmonized standards:**

- MSZ EN 349:1993+A1:2008 Safety of machinery. Minimum gaps to avoid crushing of parts of the human body.
- MSZ EN ISO 4254-1:2010 Agricultural machinery. Safety. Part 1: General requirements (ISO 4254-1:2008)
- MSZ EN ISO 4254-7:2010 Agricultural machinery. Safety. Part 7: Combine harvesters, forage harvesters and cotton harvesters (ISO 4254-7:2008)
- MSZ EN ISO 4413:2011 Hydraulic fluid power. General rules and safety requirements for systems and their components (ISO 4413:2010)
- MSZ EN ISO 12100:2011 Safety of machinery. General principles for design. Risk assessment and risk reduction (ISO 12100:2010)

**Further information:**

Test forming the basis of the declaration:

Description: Safety test for issuing the EC declaration of conformity according to directive No. 2006/42/EK and decree No. 16/2008. (VIII.30.) NFGM

Test performed by: TÜV Rheinland - KTI Ltd, 1119 Budapest Thán Károly u. 3-5.; Accrediting No.: NB 1423

Test identification No.: 402/16

**Name and position of person authorized to compile the engineering documentation:**

János Barányi head of construction, Oros Division, Linamar Hungary Co..

Date, Orosháza .....

**Person authorized to issue the declaration:**

Roland Szokolai Substitute engineering manager

  
/: Roland Szokolai:/

Substitute engineering manager





# 1 Safety

## 1.1 Recognize safety information

WARNING!

This is the safety – alert symbol.



When you see this symbol on your machine or in this manual, be alert to the potential for personal injury. Carefully read all safety messages in this manual and on your machine safety signs, and respect them fully to avoid accidents leading to serious injury or death!

WARNING!

Keep safety signs in good condition. Replace missing or damaged safety signs. Replacement safety signs are available from the manufacturer. It is PROHIBITED to remove safety signs from your machine!



WARNING!

Before installing the machine read the operator's manual carefully, learn how to operate, control and keep your machine in good condition. Do not let anyone operate it without instruction.



1.326.700

Keep your machine in proper working condition. Unauthorized and non-professional modifications to the machine may impair the function and safety and affect the machine life.

## 1.2 Safety label meanings

The function of the labels is to give, easy to understand safety instructions for those who are staying close to the machine, in order to minimize the risk of accidents. It is therefore important that these labels always be easy to read, and in complete condition.

- a. Before beginning any maintenance or lubricating, stop the engine of the combine and remove the key!



1.326.703

- b. If you stop the combine while the header is lifted, secure the loose working cylinder with the help of the device - dive inhibitor - fixed to the hydraulic working cylinder of the combine to avoid the accidental crash of the header.



1.326.701

- c. Always stay clear of moving elements during operation! Always disengage header drive, shut off the engine and remove key before servicing or unclogging header.



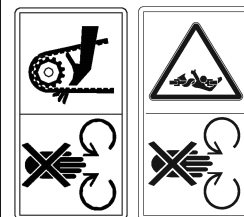
1.315.438

- d. Always keep your distance from the rotating parts of the machine. The header's snapping rolls and other moving parts can't be covered completely due to their functions. Do not feed crop material into machine by hand or attempt to manually unplug machine while it is running. The stalk rolls can feed the crop material in faster than you can release your grip on it. To avoid personal injury or mortal accident always stop engine before unclogging.



1.326.702

- e. Never attempt to open or remove shield while the engine is running. Keep every shield in its place. Avoid direct contact of your hand, leg, any part of your body or cloth with rotating, moving machine parts, elements! Before approaching any moving parts wait for them to completely stop!



1.326.705 1.326.704

## f. Avoid bruise!

The loose and non-fixed header can unexpectedly crash down, so stay away from loose and non-fixed machine!



1.315.439

g. Movable, fixable parts can cause pinching in; these places are signed with this symbol. Do not touch these risky zones until their proper fastening is guaranteed!



1.315.590

h. If the engine is still operating, the combine can accidentally start. Never step between the header and the combine if the engine is not shut off!



1.326.706

i. Machines equipped with chopper are more dangerous because of objects thrown out unexpectedly. Do not stay close to operating machine. Follow the instructions on use and maintenance of chopper knives!



1.315.440

j. When we are talking about foldable machines there's a possibility that the wing frames can suddenly fold. Do not stay under and around the wing frames!



1.326.707

k. On some types of corn heads you can find high-pressure hydraulic system. In case of a pressurized system, the piping system must not be disturbed or exposed to any external effects of the damage.



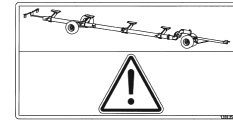
1.332.254

l. The drive shaft rotation.



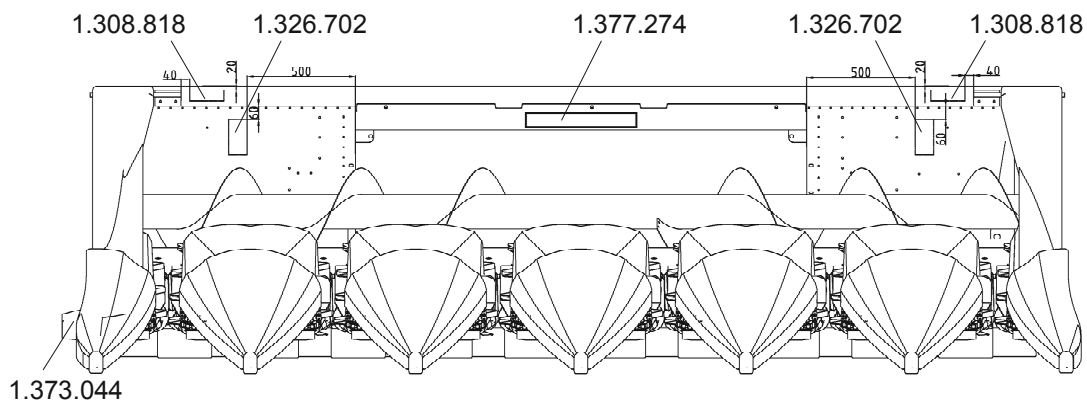
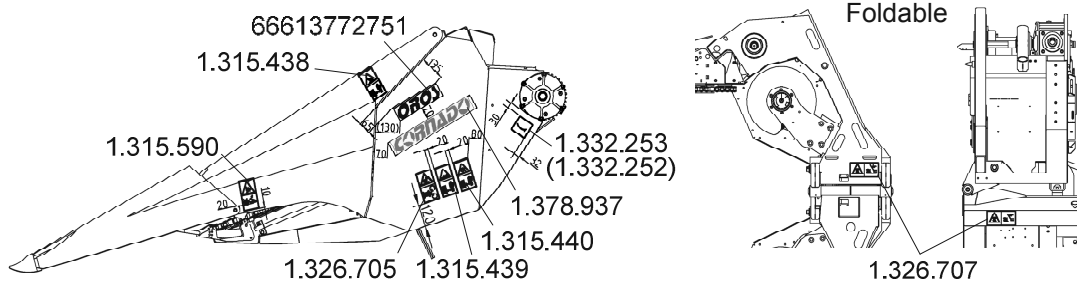
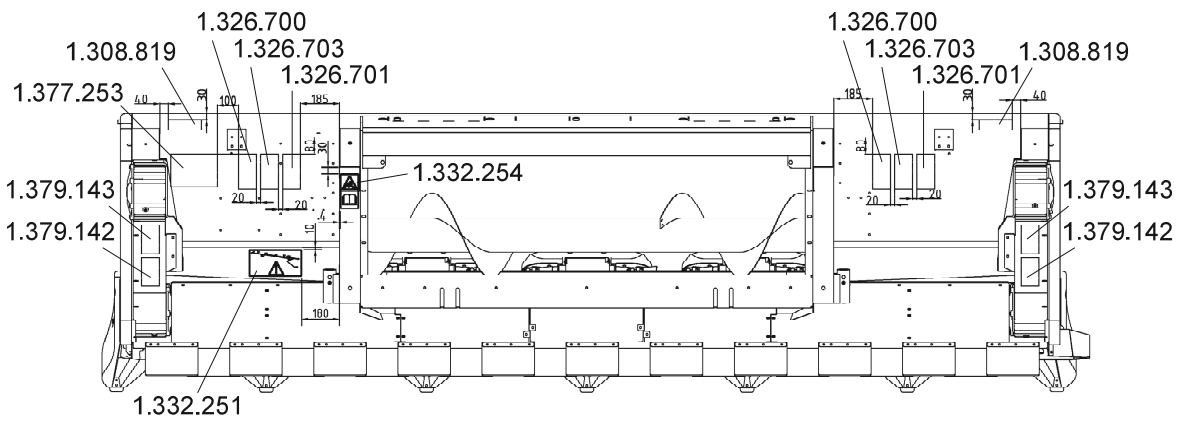
1.332.252-3

m. The total length of the combine with the header on the trailer can exceed the allowed 12.0 or 18.75 meters together, therefore these are oversized vehicles. These oversized vehicles with greater length than the allowed can only enter the road traffic with special permit from the road operator's.



1.332.251

### 1.3 Safety label placement



**WARNING!**

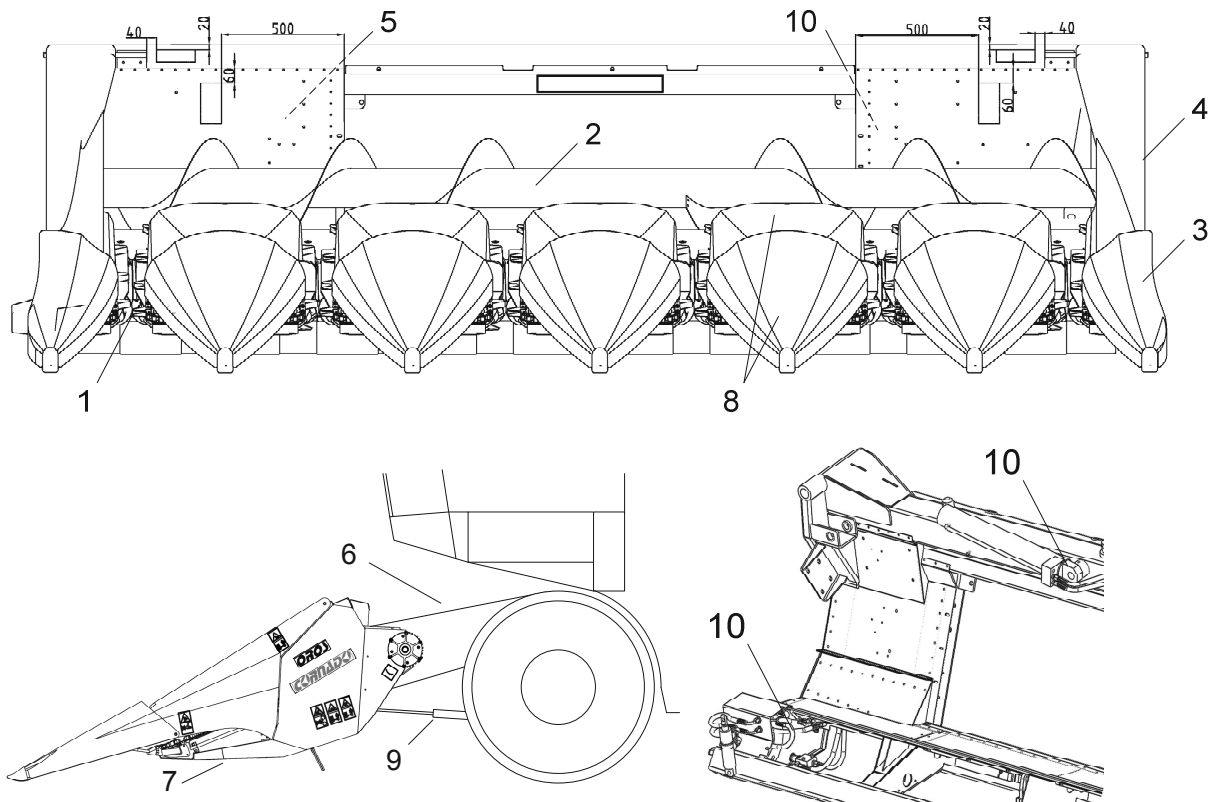
Attention! The figure shows only the labels plotted on one side of the header, but in reality the machine must be placed symmetrically on both sides!

If any of the labels are damaged or missing they must be replaced immediately!



**1.4 List of active machine parts**

No.	Dangerous machine part	Danger
1.	Snapping units, chains	Snatch, nip, entanglement
2.	Gathering auger	Cutting, nip, entanglement
3.	Outside shields	Nip, bruise
4.	Side drive, chain drive	Snatch, nip, entanglement
5.	Cardan shafts	Entanglement
6.	Inner space between combine and corn head	Brunt, snatch, crush
7.	Stalk shredder	Cutting, impact from unexpected flying objects
8.	Shields, snouts	Gliding, stumbling
9.	Lifted machine	Gliding, stumbling
10.	Hydraulics	High-pressure fluid injection



## 2 Introduction

Dear CUSTOMER!

Thank you for buying our product. We would like to give you some useful information and assistance for the optimal operation of the adapter. You bought a corn head with a universal frame, constructed according to up-to-date technology. Please carefully read the operator's manual before handling.

The operating manual contains instructions for both flute roll and knife roll gearboxes. These instructions, in the absence of special specification, apply for both models.

The corn heads comes in: 6, 8, 12-row fix. and 6, 8, 9, 12-row foldable frames and are produced with or without shredder.

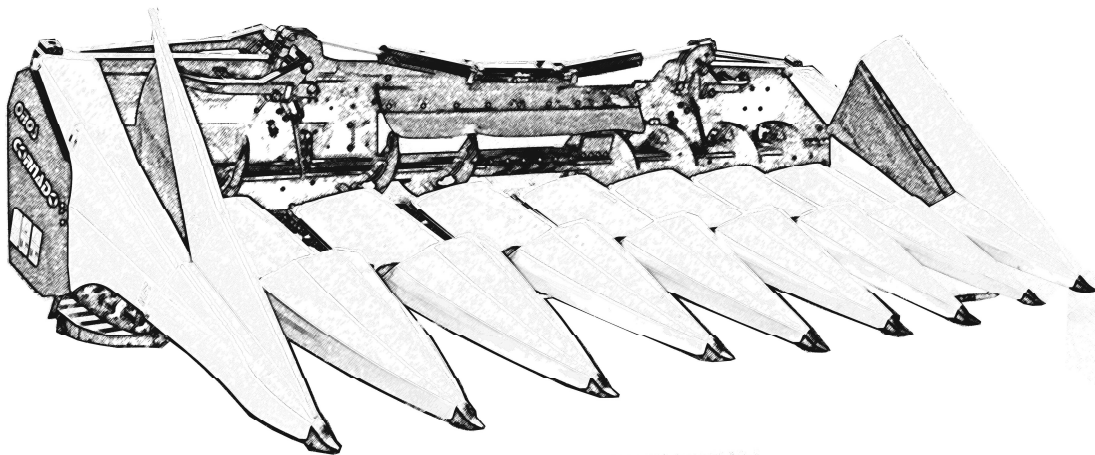
### WARNING!

Every corn head has CE-sign; it means that it meets the European Standard Requirement the safety regulations, and takes the market consideration into account. With this indication the product can be marketed in any country of the European Union.



### WARNING!

**The manufacturer is not liable for damage and/or injury caused because of not following the instructions contained in the Operator's manual.**



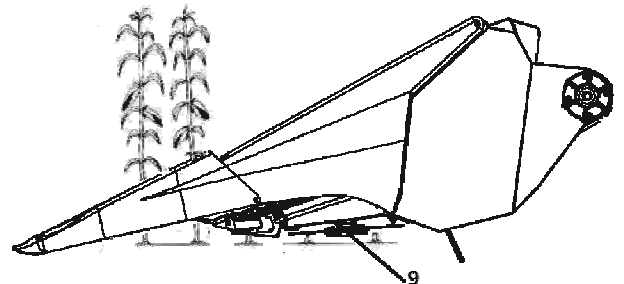
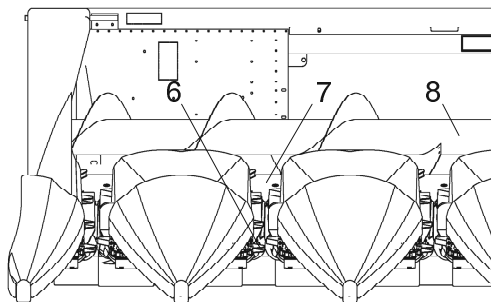
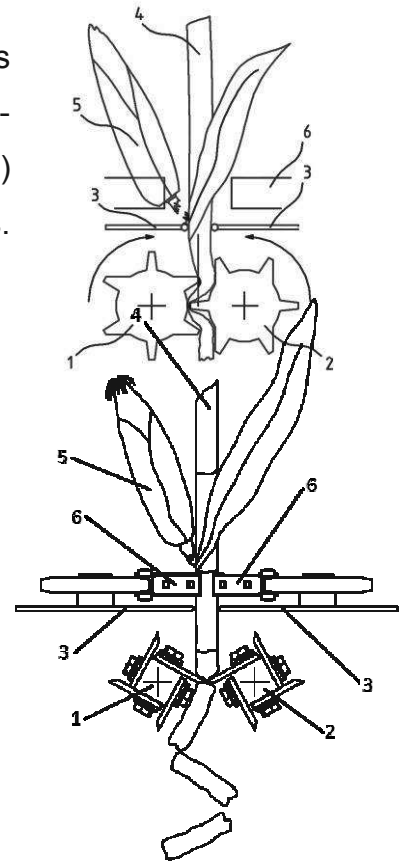
### 3 Designation, Operation, Function

The corn-head adapter can be assembled on any type of combine, depending on type it serves to harvest ripe corn sown between 50.8 and 76.2 cm (20-30") row distance.

The detachment of corns from the stalk is carried out by adjacent snapping units.

On the illustration below the snapping function of the unit is shown. The stalk (4) getting between the (1,2) snapping cylinders-turning facing one another, situated between the (3) snapping rolls-is pulled down by the (1,2) snapping cylinders. Meanwhile the (5) corn arriving on the (3) snapping rolls crashes and detaches from the stalk. Afterwards it gets into the (7) gathering trough with the help of (6) gathering chains-moving above the snapping rolls-where the (8) gathering auger transports it to the center of trough and passes it towards the feeder of the combine. After the detachment of (5) corn the (4) stalk gets under the snapping units.

If the corn-head is equipped with shredder then the stalk getting under the snapping unit is cut up and chopped into pieces by the chopper (9) situated under or behind the snapping unit.



#### WARNING!

The adapter in itself is non-functional, it can only fulfil its function if assembled on a combine, attached to it. To work safely with it, it is essential to respect the instructions on the use of the adapter and the operation of the corn combine. It can only be operated by a well-qualified person.





The adapter of the corn head receives drive from the passing axle of the feeding house of the combine through universal drive shaft or chain shaft coupling. The shaft driven by the combine drives the snapping units directly through a chain drive. The snapping units use chain shaft coupling to transmit drive (to each other).

The adapter cannot be overburdened thanks to the security switch built into every snapping unit, the switches are built into the passing axles.

The drive of gathering auger is chain transmission as. In the 6 and 8-row machines the auger receives drive from the passing axel of the outer left snapping unit. In the 12 row machines the auger receives drive from both end of the adapter. The worm-gearing is protected from overburden. It is supplied with a separate security switch built in the sprocket on the auger axle. As the adapter in itself is non-functional, its operation, fitting to the combine and the accomplishment of the necessary adjustments -similar to the grain cutting-table -happens in the operator box of the combine.

After putting into operation the adapter is suitable for harvesting which you should start by taking into consideration the followings:

1. After a short sound signal start the engine of the combine!
2. After checking that no one is close to the adapter, lower it down in a way that the sliding thrust of the snapping unit should be at about 8-15 cms from the ground - in case of appropriate adjustment the divider points touch the ground – and then turn on the adapter drive!

**WARNING!**

It is only allowed to drive the corn header in the specified harvesting position.



3. Start the harvesting in the sowing direction of the corn!
4. Drive the adapter with the recommended harvesting velocity (7-8 km) in the row!

Emergency stop:

During harvesting unexpected events may take place when you have to stop the adapter suddenly (shut off the drive and stop the machine).

For example:

- accident,
- alien substance in the stock (irrigation tube, gas tube, etc.) which got into the adapter,
- overburden (the safety switches get released),
- clogging, blockage,
- other breakdown, machine fault,

**WARNING!**

The adapter has no specific emergency stop system, its emergency stop is activated from the operator box of the combine.

Respect by all means the instructions on combine related to emergency stop of the adapter!

During operation of adapter it is FORBBIDEN to leave the operator box!



Non-conform use:

- The direction of harvesting does not correspond with the direction of sowing:  
The adapter is only suitable for harvesting in the direction of sowing (row dependant). In case of incorrect use (direction of sowing and harvesting not the same, row distance of corn is not suitable) the harvesting parameters deteriorate greatly (increasing loss of grains, on-adequate quality of shredding).
- The adapter passes too high during harvesting:  
The shredder is fixed too stiffly to the adapter so if the distance between the skid plate and the ground is more than 15 cm, the shredding function is deteriorating greatly (high stubble-field).
- The adapter is not used to harvest corn:  
In case of harvesting other plants (e.g. sunflower) the consequence is a great loss of grains and a negative effect on the lifetime of the machine. (The adapter becomes capable of harvesting sunflower with greatly decreased negative effects if it's equipped with a sunflower kit.)
- Excessive harvesting velocity:  
The normal harvesting velocity of the adapter is 7-8 km/h, without any transformation it can operate with 11-13 km/h velocity. Higher speed results in grain loss and non-adequate shredding.

## 4 Identification, technical data

### 4.1 Identification

The corn head is universal, so it can be assembled on some type of combine with a separate kit. These readjusting kits are bolted to the corn head when a machine is ordered. A data plate is provided located on the left side of the machine's upper support.

The machine serial number, is next to the data plate in a white box, as shown.



<b>Linamar</b> HUNGARY		Autóipari és Gépgyártó Részvénytársaság		H-5900 OROSHÁZA Csorvási út 27.			
ADAPTER:				GYÁRTÁSI ÉV:			
KOMBÁJN:							
GYÁRTÁSI SZÁM:			TÖMEG:				
			kg				

1.327.442

The data plate indicates the following:

The address and name of the producer		
Type of header:	Year of production:	
Type of combine:		
Serial number:	Weight:	
	(in kg)	

The type signal may refer to the followings:

CORNADO	<input type="text"/>	<input type="text"/>	<input type="text"/>	<input type="text"/>
Number of rows:	Combine:			
6 6R	11 Claas Dominator, Mega, Medion	28 MF 8570	45 Fahr Balance	
8 8R	12 Case IH	29 MF 90, 95, 100	46 Sampo Rosenlew Z	
9 9R	13 E-516, E-517	30 JD 1450, 1550 CWS	47 Case IH CF80	
12 12R	14 Fiat (626)	31 CD 23	48 MF 8660, 8780	
16 16R	15 Hesston 7730	32 MF 38/40	49 NH CX 740-860	
Build:	16 JD 1000	33 NII össz. cs.	50 NII TC 59	
6 fix	17 Fahr Top Liner	34 JD 2050	51 SEMA 110, 140	
7 foldable	18 Duro Dakovic M1620	35 JD 2060	52 DON 1500 B	
	19 New Idea Multi Power	36 JD 2060 MH	53 KZSZ 10K, 1218	
	20 New Holland	37 JD 2050 MH	54 DON 1500 M	
	21 -	38 Gleaner R 52/62	55 VECTOR 1200 M	
	22 E-527	39 NH TX 62-68	56 VECTOR 1200	
	23 Bizon R. Z 060-110	40 MF32-40 AGCO	57 KZSZ 7 (812)	
	24 MF 90-100	41 Gomszelm	58 PS7M-181	
	25 CK 10	42 NII TC56	59 ENISZLY 950-960-1200	
	26 Gloria C-12/14	43 MF38-40 AGCO	60 HERSONEC 200	
	27 JD 9600, 8820	44 Lexion		

**4.2 Technical data, main parameters**

Type	In operating condition			In shipping condition			Net weight* (kg)
	Width (mm)	Length (mm)	Height (mm)	Width (mm)	Length (mm)	Height (mm)	
6R FIX frame 70cm	4299	2970	1410	4299	1100	2430	2140
6R FIX frame 76.2cm	4609	2970	1410	4609	1100	2430	2180
8R FIX frame 76.2cm	6135	2970	1449	6135	1100	2430	3130
12R FIX frame 76.2cm	9180	2970	1449	9180	1100	2430	4160
6R foldable frame 70cm	4299	2970	1584	3040	1100	2430	2250
6R foldable frame 76.2cm	4609	2970	1584	3226	1100	2430	2330
8R foldable frame 76.2cm	6135	2970	1584	3226	1100	2430	3300
9R foldable frame 76.2cm	6895	2970	1584	3988	1100	2430	3740
12R foldable frame 76.2cm	9180	2970	1584	4750	1100	2430	4400
Lubricants:		SAE 80W-140 and EP-00 grease					
Pitch of the gathering auger:		560mm					
Input shaft speed of the snapping unit drive:		550/min					
Length of chopped stalk:		average 50 mm, depending on crop condition					
Adjustment of the snapping plate:		central electric or hydraulic adjustment from the cabin					

*\*The full weight of the adapter may vary from the value written in the chart, the difference changes based on the mounting kit!*

## 5 Shipping conditions

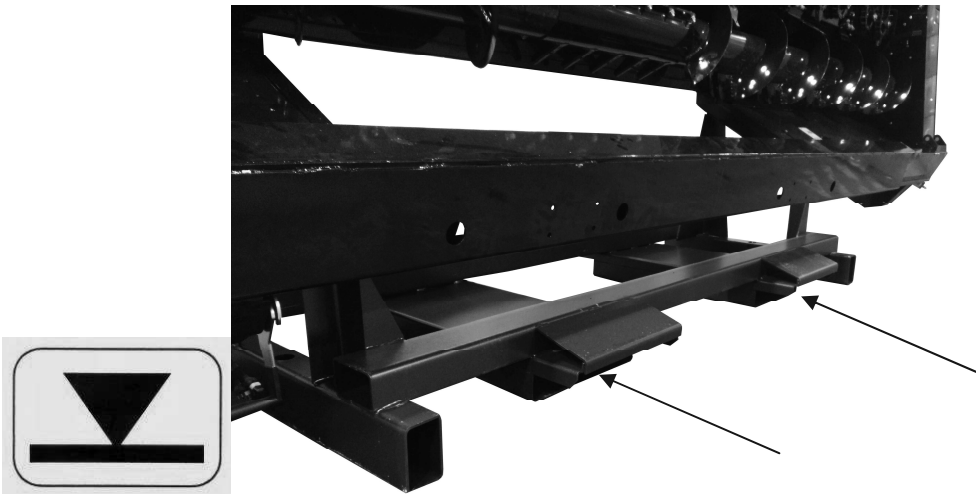
All your delivered corn heads are filled with oil, and are mounted on a shipping skid. Check the lubricant level before you take over the corn head!

### WARNING!

The corn head can be lifted with a suitable crane and fork lift. When you choose the elevating equipment you should consider the weight detailed.



When elevating with fork lift the corn head becomes movable if placing the elevating forks under the metal delivery support under the machine. Be careful to place the elevating forks symmetrically to the central line of the machine. The exact place of elevating points is shown by the label on the illustration.



When elevating with crane the elevating cable is to be fixed in the elevator retainers situated on the elevator strip clamping mounted on the skid plate of snapping units. The elevator points are signed with the label on the strip clamping. When you elevate with crane the cable angle should be max. 90° (according to the illustration).

The minimum "l" cable length for keeping the max. 90° angle:

- The 6-8-row fix and foldable machines: 2150 mm
- The 12-row fix and foldable machines 11250 mm (in case of 4 pieces of cables)

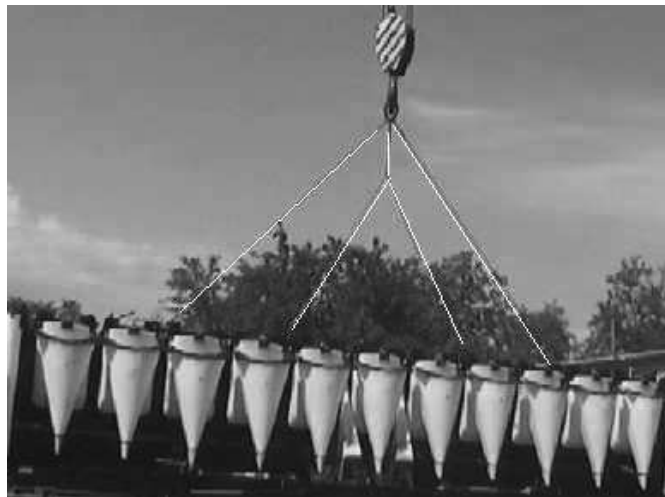
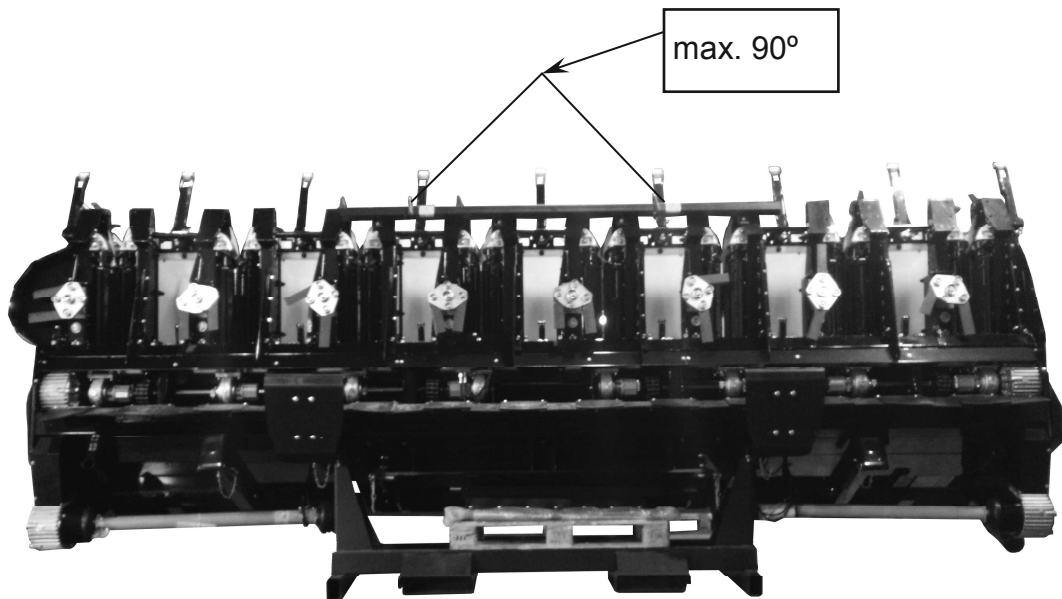
The cable length should be the same both side!

**WARNING!**

Only a cable - which meets the weight of the machine - can be used!



When lifting a 12-row corn header use four cables as shown in the photo below!



## 6 Mounting the corn head on the combine

After taking off the transport skids:

- Cut off the shrink-wrap,
- Cut the clamping, snouts must be taken down from the machine.

Remove the parking stands (and snouts if attached to corn head) from their stored shipping position and install parking stands in their retracted (transport) position. Carefully lower the machine to horizontal position with a cable attached to lifting hooks.

Remove the shipping skid after the machine is resting securely in horizontal position!

### WARNING!

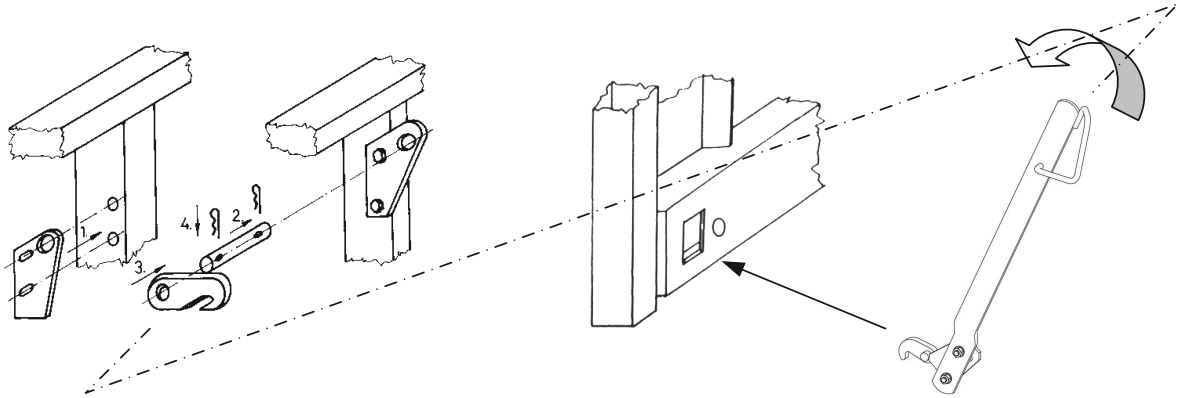
After the above operation and because the manufacturer already attached the specified mounting kit to the Corn Head, engage and securely attach the Corn Head to the combine according to Combine Manufacturer's instructions. Engage the feeder lift cylinder safety stop and secure the lower latches!

In case of foldable machines remove the screws which secured the wings (on both sides) to the mainframe!



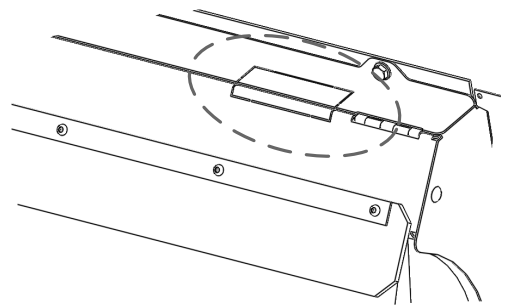
**6.1 Mounting the corn heads on the combine is described below.**

**6.1.1 New Holland; Case AFX; MF 8680; 8780; Gleaner R; Gleaner C;**

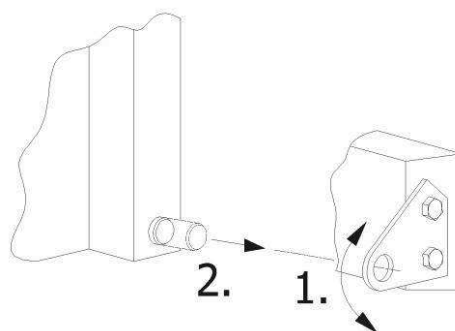


Adjust the position of the latch retainer (1) to ensure that the feeder house lever is fully engaged. If the proper position is not attainable, change the original arm of the feeder house with the arm supplied as an attachment.

Attention! In case of the Case AFX adaptation a perforated plate must be removed from the roof of the hood!



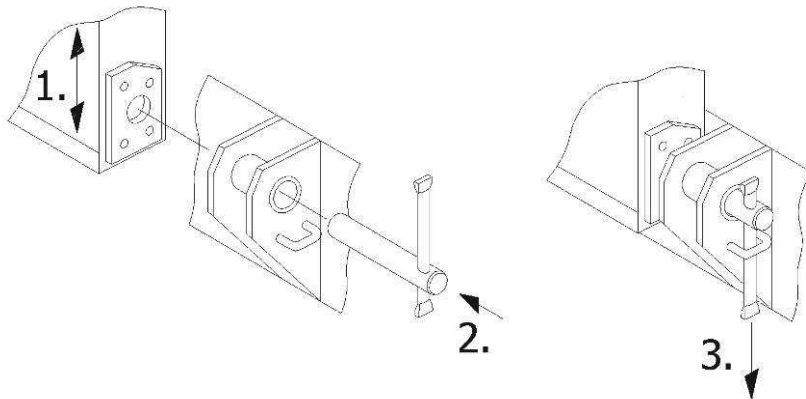
**6.1.2 John Deere**



Insert the spring pivot pin (2) of the feeder house into the hole of the retainer plate (1) which is assembled on the lower support. If required, adjust the pin alignment.

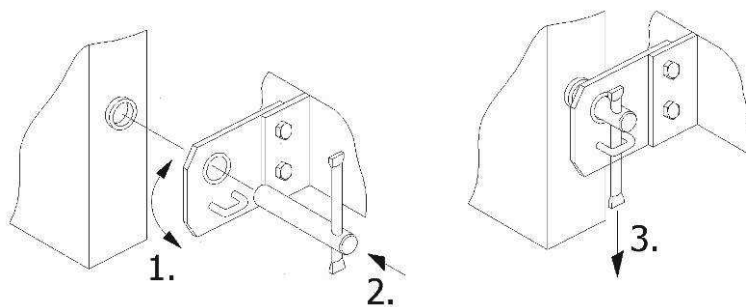


### 6.1.3 Claas Mega, Claas Dominator, Claas Lexion



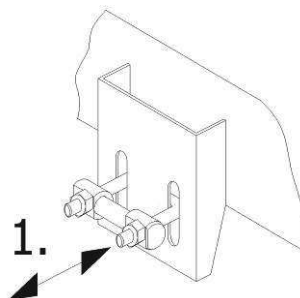
If there is a difference between the axis line of the latch axle and that of the hole of the clamping strap of the feeder house, set the clamping strap of the feeder house, then fix the pivot pin.

### 6.1.4 MF32-40 № S 52.153=>

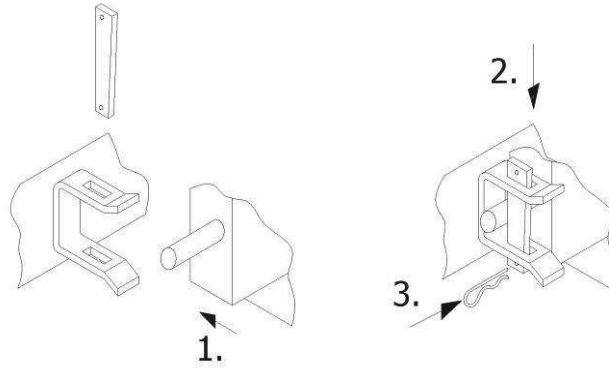


If there is a difference between the axis line of the latch axle and that of the hole of the clamping strap of the feeder house, set the clamping strap of the feeder house, then fix the pivot pin.

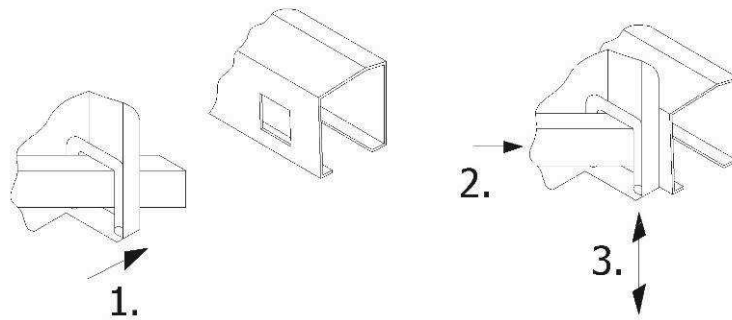
### 6.1.5 Case-IH 1000 - 2000



### 6.1.6 Deutz-Fahr



### 6.1.7 Fiat-Laverda



### 6.1.8 ACROS

Mounting the corn head to the feeder house:

1. Preparing the feeder house for mounting the corn head.
  - 1.1. Remove the frame and the spacer with the drop-in roll from the feeder house.
  - 1.2. Loosen the blocks on the bottom spring, remove the side spring blocks with faders. Also remove the two springs which are above the feeder house.
  - 1.3. Lift the lower drive shaft on the feeder house, freeing the lower supporting and fixed.
  - 1.4. Unscrew the M16 - bolts until the cotter pin collision. Remove the M12 bolts. Turn the supports to be coincident with the threaded holes with the opening of the side panel, insert the M12 bolt and screw it in until it stops. Tighten the M16 bolt until it stops. Released the feeder house lower drive shafts fixation.
  - 1.5. Mount the spacer (1) with fixed finger on the feeder house, and tighten the removed screws.
  - 1.6. Mount the two faders on the right and left of the feeder houses console with a cotter pin (5) to the shaft (4).
  - 1.7. On the feeder house's right side front axle remove the z=18 pinion and

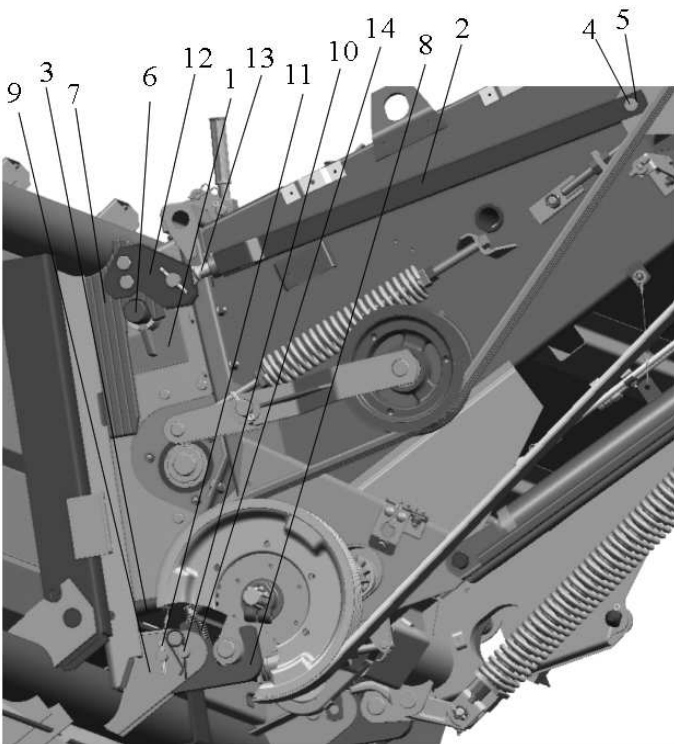
mount the z=16 pinion on. Remove the transit link in the chain and mount the drop-in drive chain in its place. The chain contour must be in plane and adjust the chain tension.

2. Prepare the corn head for mounting on the feeder house.

The isolation plate (3) should be turned, so that it won't hang out from the corn heads side plate.

3. Mounting corn head on the feeder house.

Lower the feeder house so that the, spacers(1) hook pin (6) is lower than



the corn heads hooks on the frame (7). With the combine go to the corn head and insert the hook pins to the hook holes. Lift the corn head with the feeder house. On the lower part of the corn head, the left and right hooks (8) lift the hook on the consoles (9) insert the pin to the holes(10) and secure with spring pin (11).

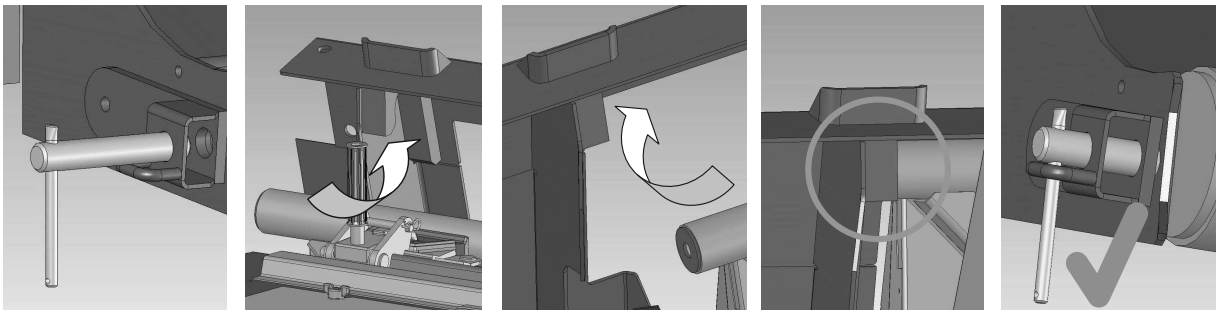
At one end of the previously prepared and fixed puller handle (2) which on the other end of the consoles (12) to strengthen the corn head hooks with the upper eyebolts (13) and secured with the shaft and pin.

The sealing plate insert between the connecting piece on the side plate, in contact with the bottom plate, and placed in the bottom two springs (14) to the right and left to the correct position.

### 6.1.9 RSM-181

Pull out the safety-pin on the adapter!

Put on the feeder houses tab on the adapters locking hook, then attach the adapter the feeder house with the safety-pin!

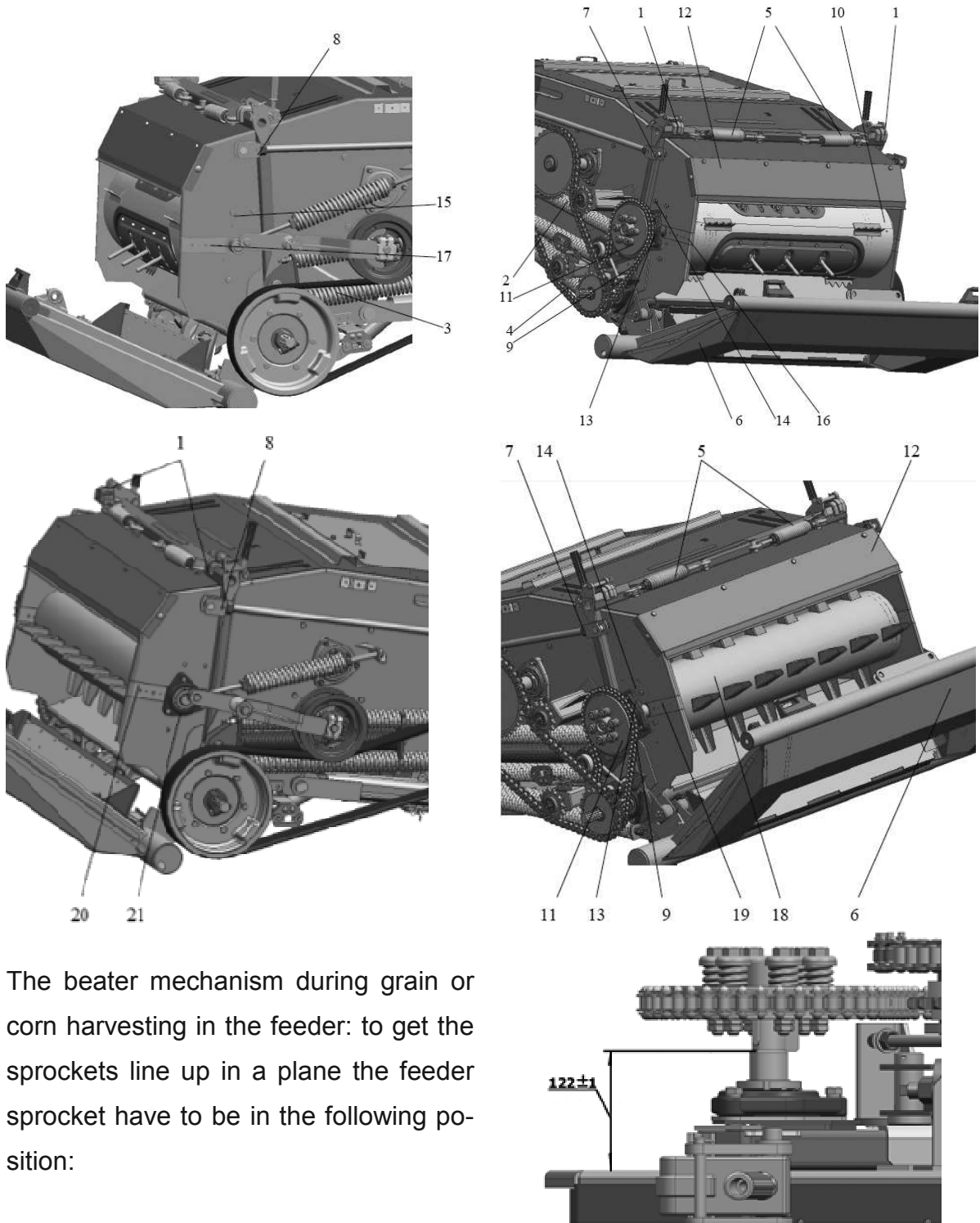


Make sure that the safety pin is properly secured!

The controlled finger drop-in replacement for the fixed finger drop-in on the feeder house:

1. Remove the grain harvester or other adapters from the combine feeder house.
2. Fix the frame (6) with the hooks (1).
3. Measure the springs' length under the feeder house which are to its right, left side and under it. (2; 3; 4). Then loosen the spring blocks.
4. Remove the springs (5) from the frame (6).
5. Remove the tension bars (7; 8) from the frame (6).
6. Lower the frame (6) until it stops.

7. Remove the chain on the right side of the feeder house (9).
8. From the beater (10) remove the safety switch (11) and the holding clamps.
9. From the feeder house frame remove the cover plate (12).
10. From the feeder house right side remove the beater's (10) bracket (13).
11. Holding the beater, unscrew the 3-3 bolts on the left and right (14; 15) which are holding the bearing house.
12. Remove the beaters (10) with the bearing house (16; 17) from the feeder houses frame.
13. On the removed grain beaters place (10) mount the corn beater fingers (18), together with the protective plates (19; 20).
14. Mount the bracket on the right side of the feeder house (21).
15. Mount on the feeder houses right side 2 bolts (14), which had previously been removed, along with the protective plates (19; 20).
16. On the corn beaters mount the previously removed bracket (13).
17. The corn feeder has to be installed in the bearing housing in a way that the beaters during rotation cannot reach the feeder house.
18. Mount the previously removed safety clutch and chain (9; 11).
19. Mount the previously removed safety plate (12).
20. Lift the frame (6) and lock it with the hooks (1).
21. Connect back to the frame the tension rods (7; 8), and the springs (5).
22. Tension the spring tensioners (2; 3; 4) by the measured dimensions.



The beater mechanism during grain or corn harvesting in the feeder: to get the sprockets line up in a plane the feeder sprocket have to be in the following position:

## 6.2 Other steps following the securing of the adapter on the combine

### WARNING!

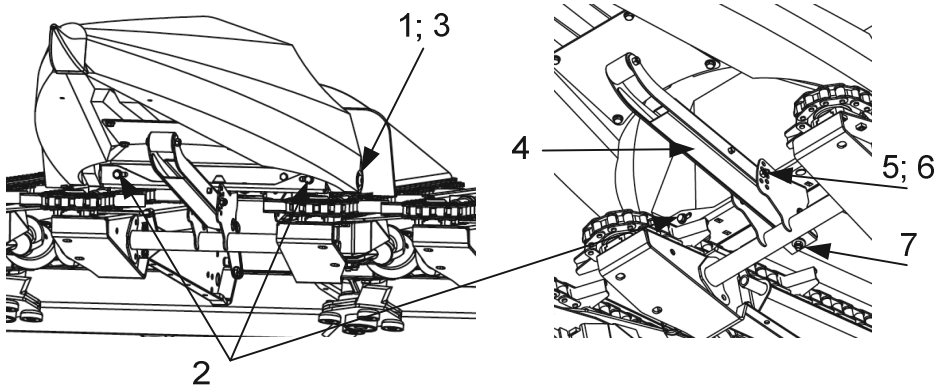
DO NOT attempt the following steps until the corn head is properly attached and secured to the combine, and the combine feeder lift cylinder stop is engaged!



Remove the lifting bar from the snapping unit.



Place the central snout on to the rear dividers pin (1)! For easier mounting, first loosen the rear dividers pin which is fixed by a hex bolt (2), fix the central snout from the outside with countersunk-head bolt (3), then tighten the earlier loosened hex bolts! To make easier the mounting look at the parts catalogue 21/A page.

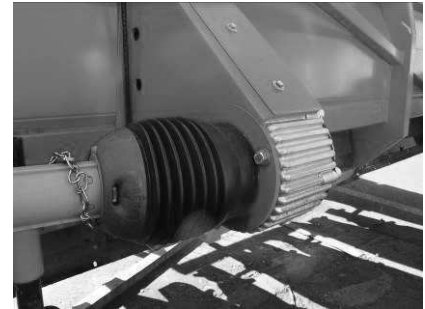
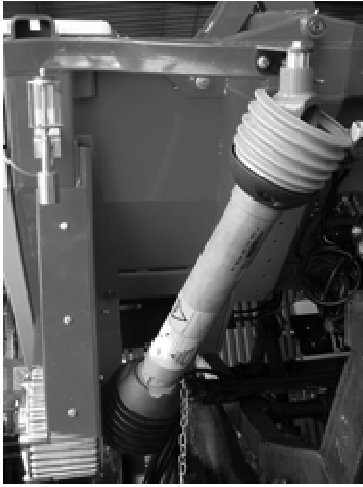


Adjust the arm which is used for central divider shoring (4), according to the desired height, and then fix it with a hex bolt (5) and a lock nut (6)! If finer adjustment is needed, this can be done, with a nut in the back (7).

In case of the outer dividers proceed as described above as well.

After completing the above-described, connect the drive-connecting elements, and drive shaft as well!

The machines are delivered with drive shafts, which are factory-equipped with shield, as well the corn head drives are mounted with original shields.



**WARNING!**

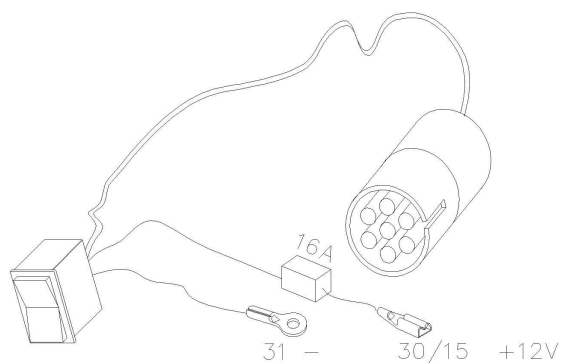
Position the protective shield of the drive shaft, according to the combine's operator's manual, after connecting to the feeder drive shaft!

To prevent the rotation of the header drive shaft shield, attach both original chain restraints to the corn head!



**6.3 Connecting the electric snapping plate adjuster**

Connect the electric snapping plate adjuster according to the following figure:

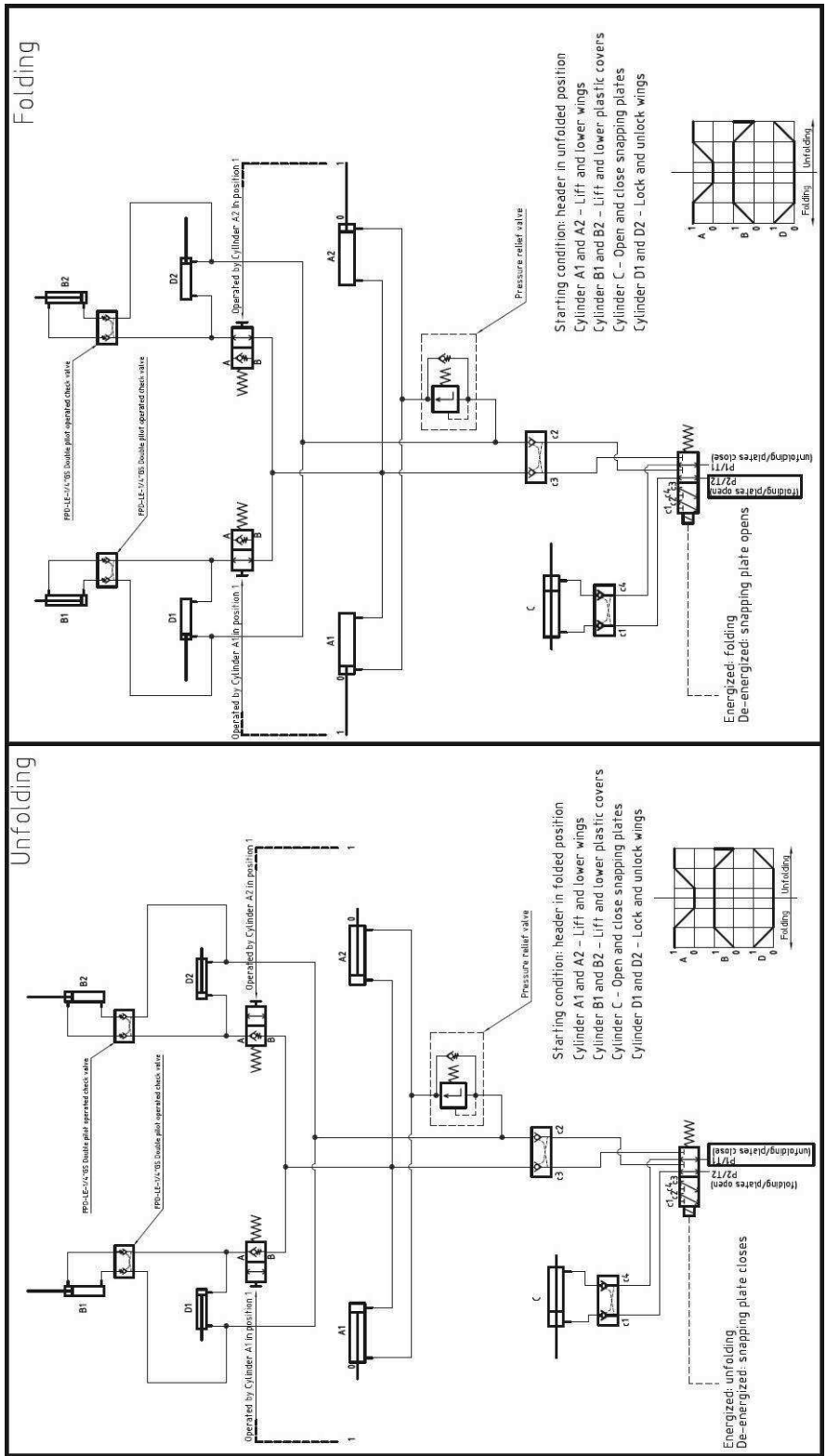




### 6.4 Connecting the hydraulic system (for folding corn heads)

The schematic below illustrates the hydraulic system of the folding corn head. (unfolding, folding)

The folding in case all types of combine happens in the combine cabin.

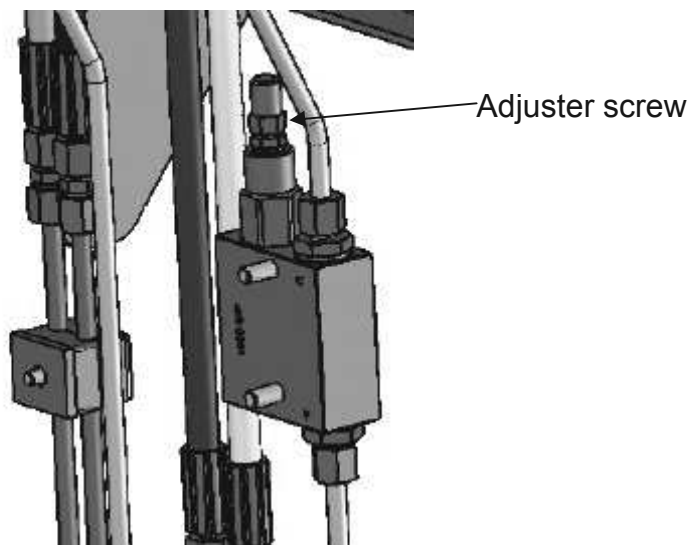


**The right order of the cylinders movement during folding is the following:**

1. The locking cylinders (D1, D2) and plastic hinged dividers (B1, B2) have to extend until the end positions.
2. After the 1. Point the lifting cylinders (A1, A2) must fold the wings.

If the lifting cylinders start before the other cylinders (D1, D2, B1, B2) reach their end position, then the pressure relief valve's adjuster screw has to be turned a half turn clockwise.

Repeat this steps until the previously mentioned order is achieved.

**6.5 Mounting to a different type of combine**

To mount the header to a different type of combine a "Mounting kit" is required, more information about them can be found in the spare parts catalogue, and our customer support can provide help as well. The mounting kits can be ordered from the manufacturer.

**WARNING!**

In case of mounting the header to a different type of combine always mount every safety plate included in the mounting kit!



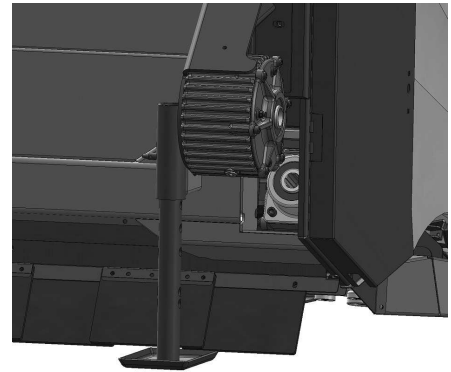
## 7 Setup procedure

We suggest a 20 minutes trial run after the initial mounting. After starting the combine, the drive of the corn head should be kept in the lowest speed and then run it slowly. Avoid starting the drive on high speed because accelerating the inertia will cause 8-10 times more load than that of a full load and this may cause damage to the drive system and safety clutches. After the slow start increase the speed to a medium level. Make sure that no clicking can be heard while the machine is in operation. If no irregularity is observed the speed should be increased to maximum level and should be run at this speed for about 10 minutes. When the trial run has been completed, the temperature of the drive elements, screws and drive units should be checked (max. 40-60°C)!

## 8 Setup procedure and adjustment of the corn head

### 8.1 Frame

The included parking stands must be always used before the machine is disconnected from the combine. Adjust the parking stand position in a way that the distance between the ground and the lower support of the corn head is about 30 cm. The stand can be moved after the removal of the retaining pin.



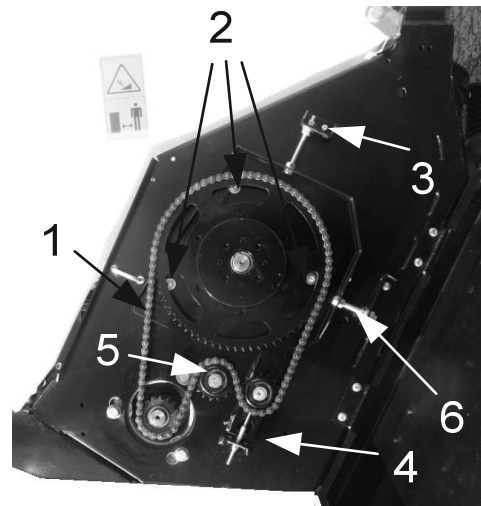
### 8.2 Gathering auger

The gathering auger is driven through a torque-limiting clutch that can disengage the drive on excessive loads. This clutch is located on the left-hand side, but an additional clutch is located on the right hand side in the case of 12-row corn heads.

In some conditions it may be necessary to change the speed of the gathering auger. An additional sprocket is available to permit changing the auger speed to match field conditions.

Parts of the gathering auger height adjuster:

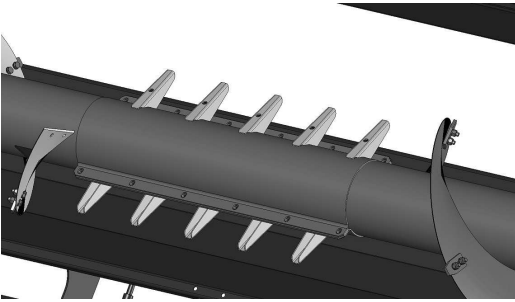
1. Chain drive connecting link
2. Adjusting plate nuts
3. Auger raising/lowering with M12 nuts
4. Chain tensioner setting
5. Chain guidance
6. Auger fore/aft adjusting bolt



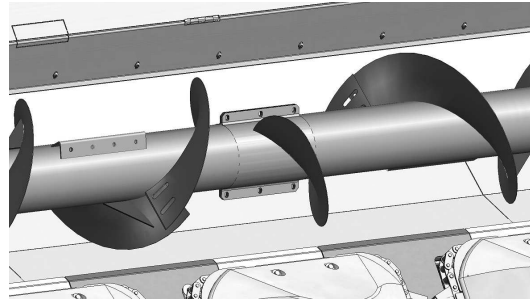
Fix frame header: for adjusting the auger use the following screws - no. 3 and no. 6.

Folding header: the auger cannot be adjusted!

To satisfy customer needs, two types of auger are available at the combine feeder:



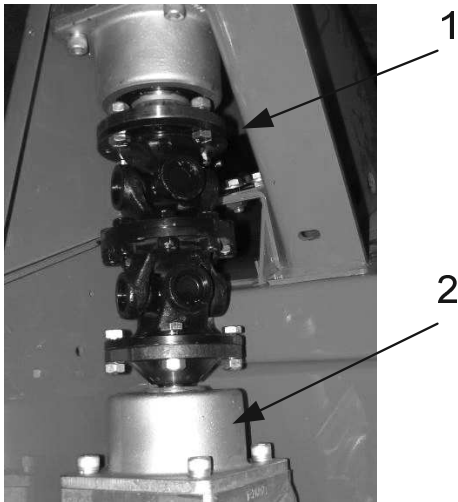
Finger type



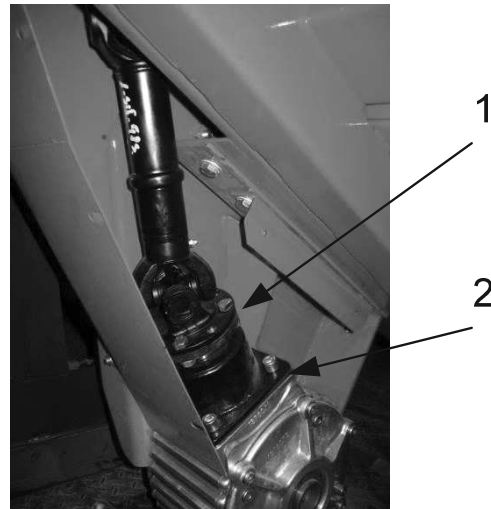
Auger type

### 8.3 Drive system

The side drive one shaft, or double joint coupling drive (1). The gearbox assembly (2) is combined by the Manufacturer, that the snapping unit input speed for any combine is approx. 550 rpm. This drive-relation is achieved by the console mounted gearbox inner spiral bevel-drive. To change the drive-relation the complete gearbox has to be exchanged.



Double joint coupling drive  
(JD, NH)



Shaft-drive  
(Mega - Lexion, MF)

The side drive-system does not require any additional adjustment, setting.

### 8.4 Snapping units

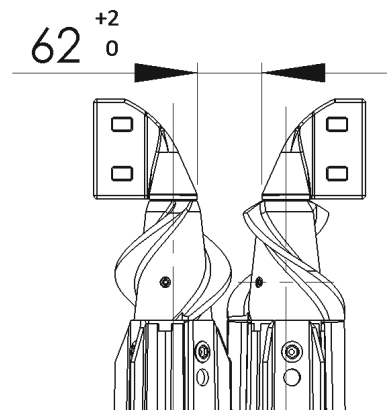
In the parts catalog schematic illustration can be found, which show various row-spacing corn heads snapping unit uses by drawing numbers.

### 8.4.1 Adjustment of the snapping rolls

Three important settings must be observed when installing or adjusting the snapping rolls:

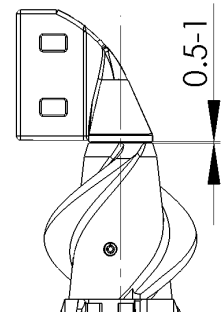
### 8.4.2 Distance between the snapping roll shafts

Adjust the shafts parallel to each other by setting 62mm between the two bearing housings as shown in the illustration. This distance can be increased or decreased by using a washer spacer, as required.



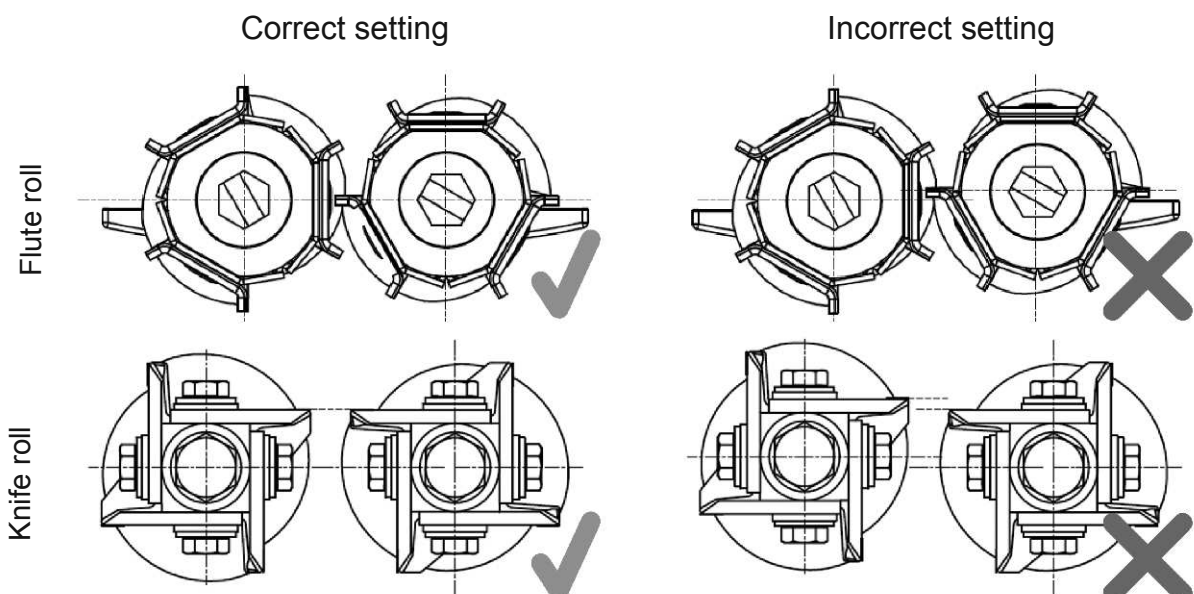
### 8.4.3 Setting labyrinth seal

Two sealed double ball bearings are used to support the spiral end of the snapping roll, and a labyrinth seal protect them. This seal operates only if the distance between the stationary bearing block and the rotating snapping roll is not larger than 0,5 or 1mm.



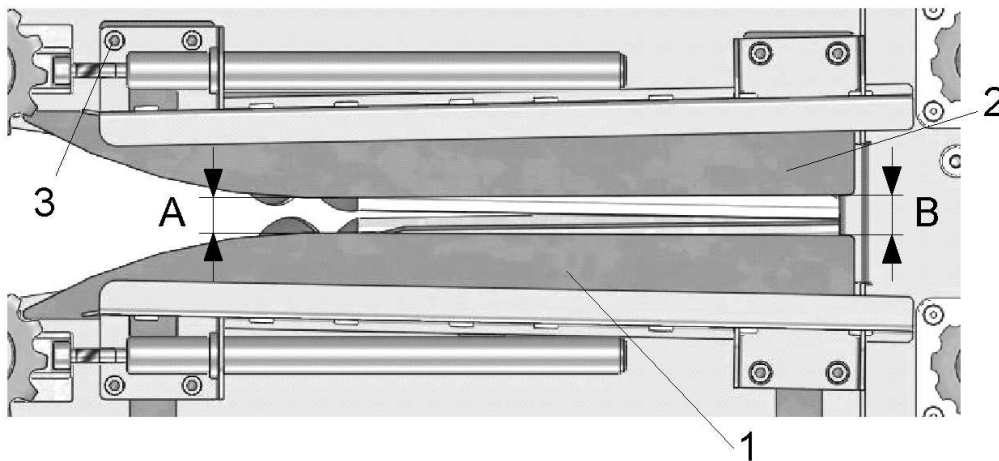
### 8.4.4 Alignment

The snapping rolls flatness comes from the snappingunit gearbox assembly, but the parallelism to the axis must be checked. The axis of rotation of the snapping roll must be parallel, both to each other and relative to the breaking line of the snapping units frame.



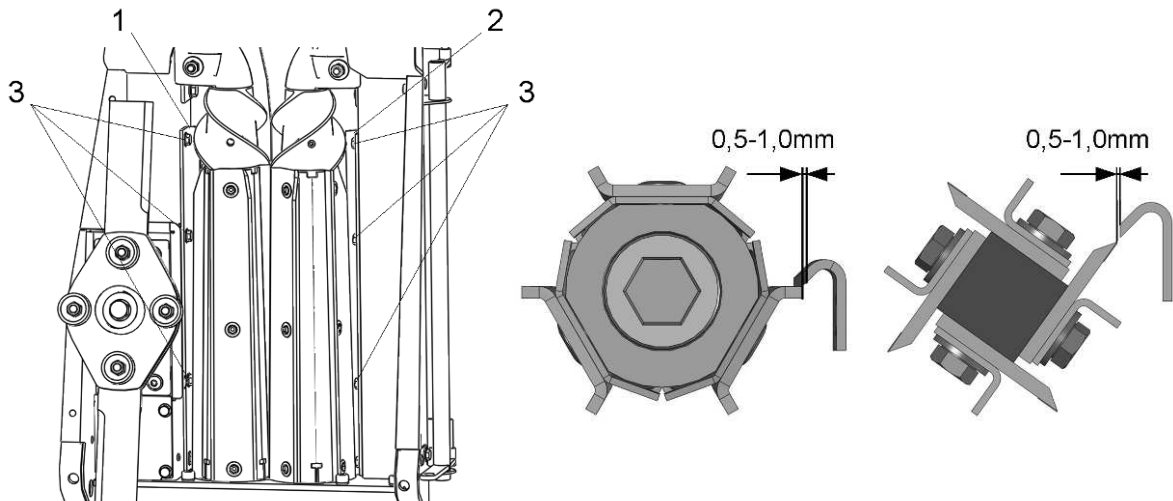
### 8.5 Snapping plate settings

The basic factory setting is 27-32 mm. For proper operation, the snapping plate spacing should be 5 mm closer together at the front end than at the rear end. The central snapping plate adjusting mechanism can change the spacing from the nominal position 6 mm closer together and 10 mm farther apart. Based on the above data set the mechanism set to the minimum position. Set the movable snapping plate (1) relative to the fixed one (2) 21 mm at the front and 26 mm at the back then secure it! In-cab operation should result in the 27-32 mm distance. Effort should be made to set the same value on each row to ensure the same operation of all the snapping units! The fix snapping plate is secured by four hex socket head bolt, after removing them the fix snapping plate can be adjusted up to 14 mm. With regards to the dimension marks in the figure, after the initial setting,  $A = 21$  and  $B = 26$ ; after adjusting the central mechanism the  $A = 27$  and  $B = 32$ .



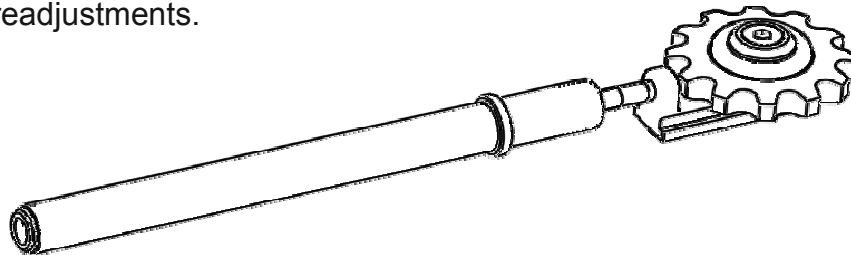
### 8.6 Adjustment of the cleaning knives (1, 2)

The optimal gap between the cleaning knife and the stalk roll is 0,5-1 mm. This gap should be set on one rib and all rib clearances should be checked by the rotation of the roll to ensure no interference. Adjustment is made by loosening the M-8 screws (3). Adjusting the other cleaning knife is done the same way.



### 8.7 Setting the chain tension of the gathering chain

The sprockets pre-tensioner spring is sized, that it will not require regular adjustment or readjustments.

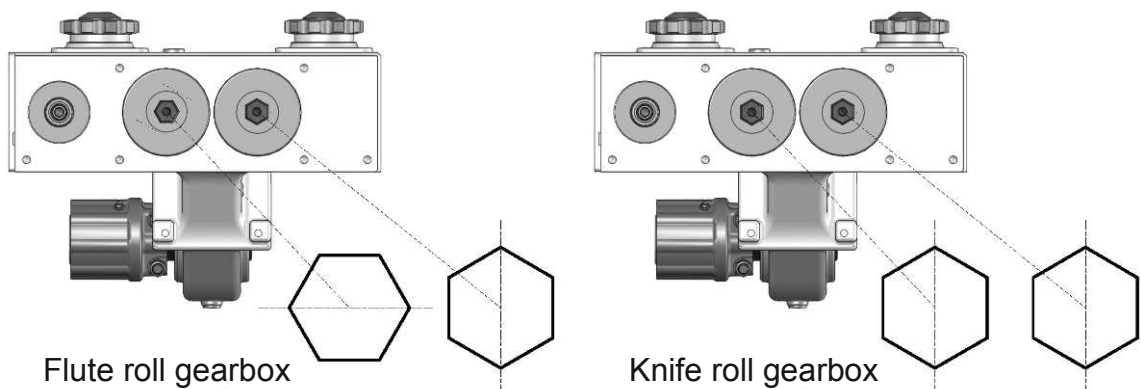


### 8.8 Gearbox-adjustment of the hex shaft and gear backlash

The alignment of gears is correct if their symmetry axes are perpendicular to each other.

It's needless to measure the angle because a wrong adjustment will be clearly visible. The amount of gear backlash relative to the elementary tooth and can be measured by rotating the gear on one shaft relative to the gear tooth of the mating shaft.

Roughly  $1^\circ$  of rotation sets the required backlash. The setting can be varied by adjusting the quantity of gasket shims.



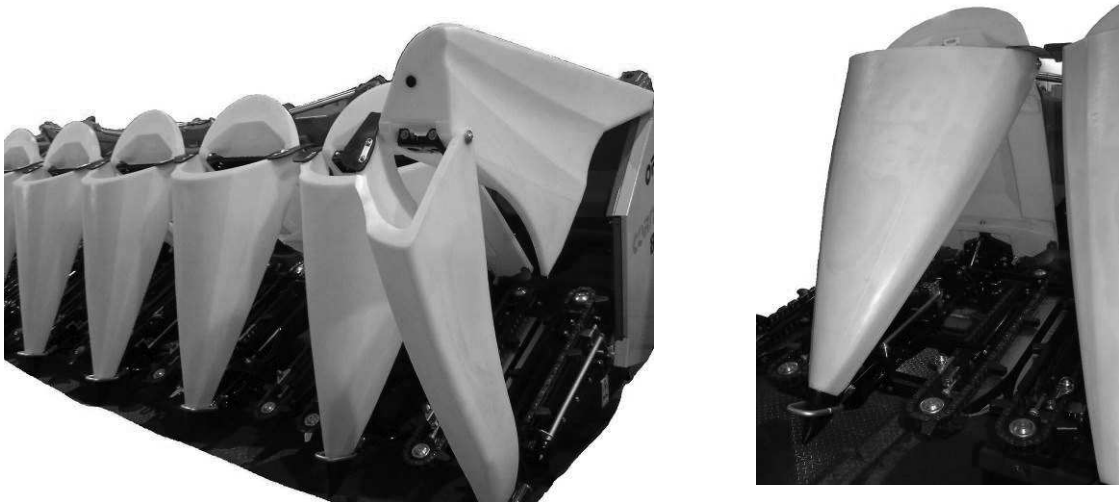


### 8.9 Cardan shafts

We deliver our machines with cardan shafts provided with friction safety clutch. At the beginning of each harvest season, remove the PTO shaft and grease it!

### 8.10 Plastic snouts

Position the corn head, when mounted on the combine feeder house such that the distance between the skid shoe of the snapping unit and the ground is 8 cm, and with skid shoe of the snout just touching the ground. Skid shoe is not adjustable.



Transport position

Manufacturer and Distributor are not responsible for damage caused by incorrect setting of snout position.

### 8.11 Automatic header height control

The header height controls electronic structure is fully consistent with the harvester electronics. The calibration process, depending on the combine, should be carried out as it's described in the operating manual.



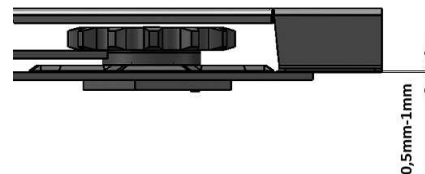
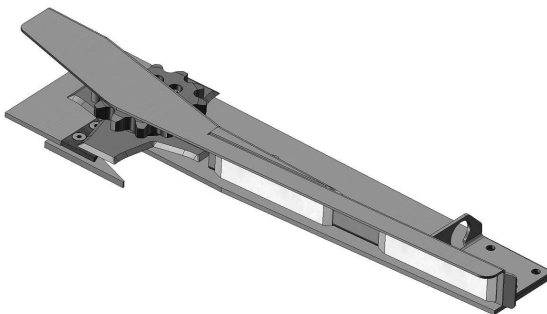
Transport position



Work position

The header height controls rubber sliding element is fixed, as its show in the left picture when the corn head is shipped. The sliding element is placed in work position if the bolt marked with "A" is removed and the cable marked with "B" is cut. Place the rubber sliding element in the position shown in the picture on the right. Then tighten both bolts shown on the right picture.

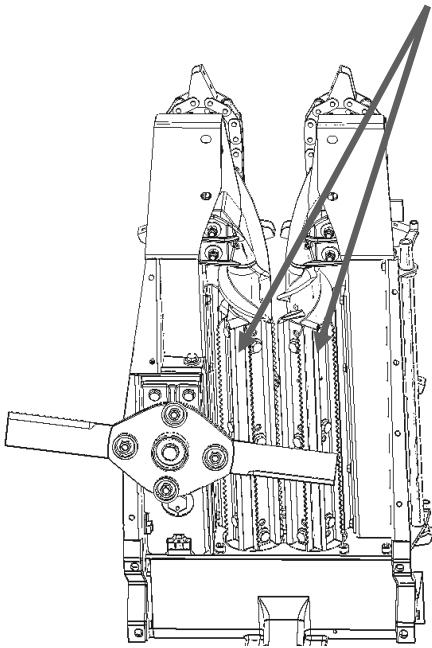
### 8.12 Installing the sunflower kit



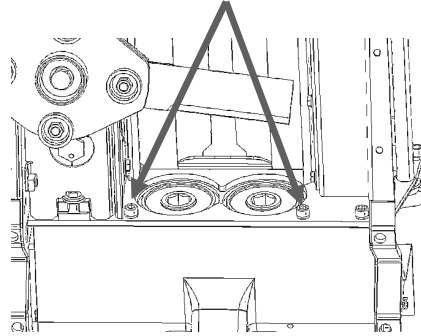
#### WARNING!

The allowed distance between the knives is 0,5-1 mm!

Remove the snapping rolls along with the guide plates and dust guards!



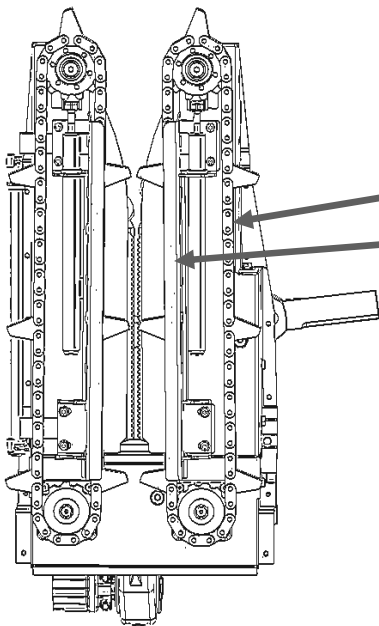
Remove the two countersunk-head screws. Insert the cover plate then secure it with the previously removed screws!



Part number:	Name:	6R	8R	9R	12R	4+2R	4+2x2R	6+2x3R
1.377.153	Sunflower kit - LH	-	-	-	-	1 pcs	1 pcs	1 pcs
1.377.154	Sunflower kit - RH	6 pcs	8 pcs	9 pcs	12 pcs	5 pcs	7 pcs	11 pcs

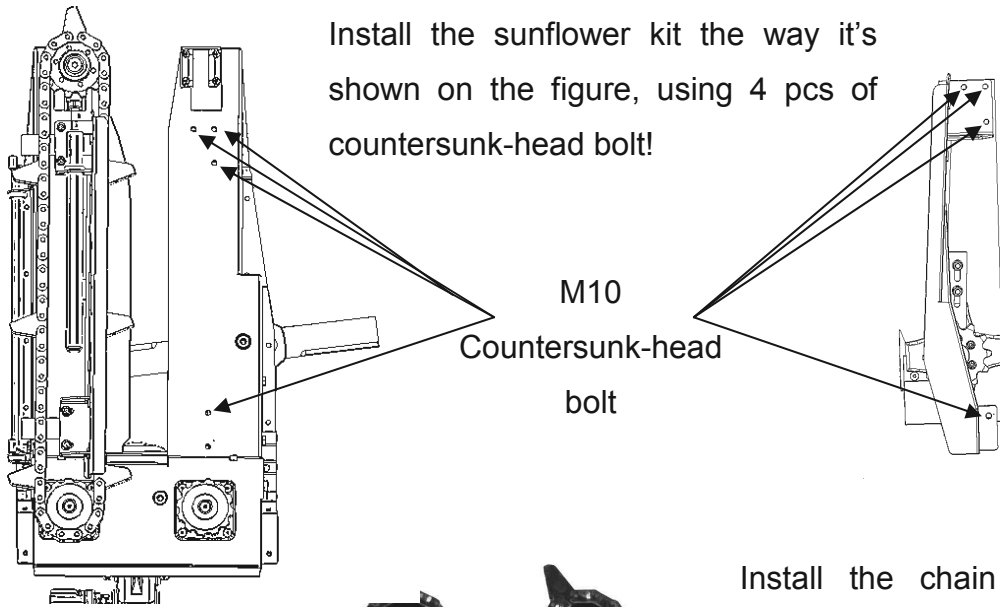
Following the chart above chose the correct type and amount of sunflower kit for your adapter!

**In case of a foldable adapter the LH version of the sunflower kit is always have to be installed on the last snapping unit on the right side of the main frame!**



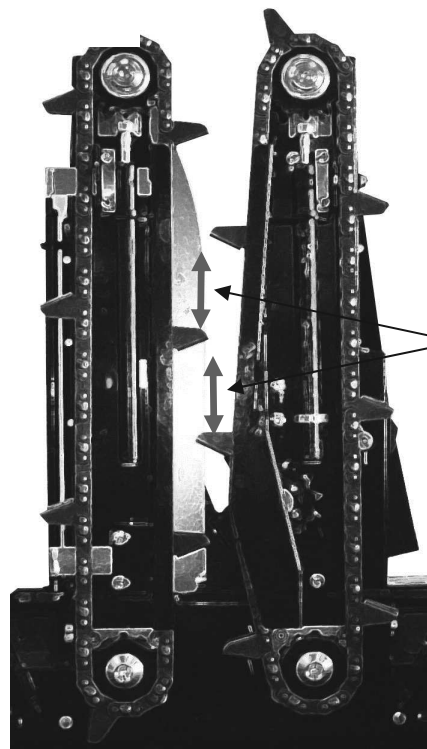
Remove the gathering chain along with the chain tensioner spring!

Remove the chain guide and the snapping plate!



Install the sunflower kit the way it's shown on the figure, using 4 pcs of countersunk-head bolt!

M10  
Countersunk-head  
bolt



Install the chain tensioner and gathering chain again the way it's show on the figure!

Put a retaining ring on the spring, and then secure the ring **80 mm** from the bottom of the spring!

During the installation of the gathering chain make sure that the lugs are equal distance away from each other, and that the chain is at a correct position on the sprocket!

**Place the removed parts in a box and place between them bubble wrap!**

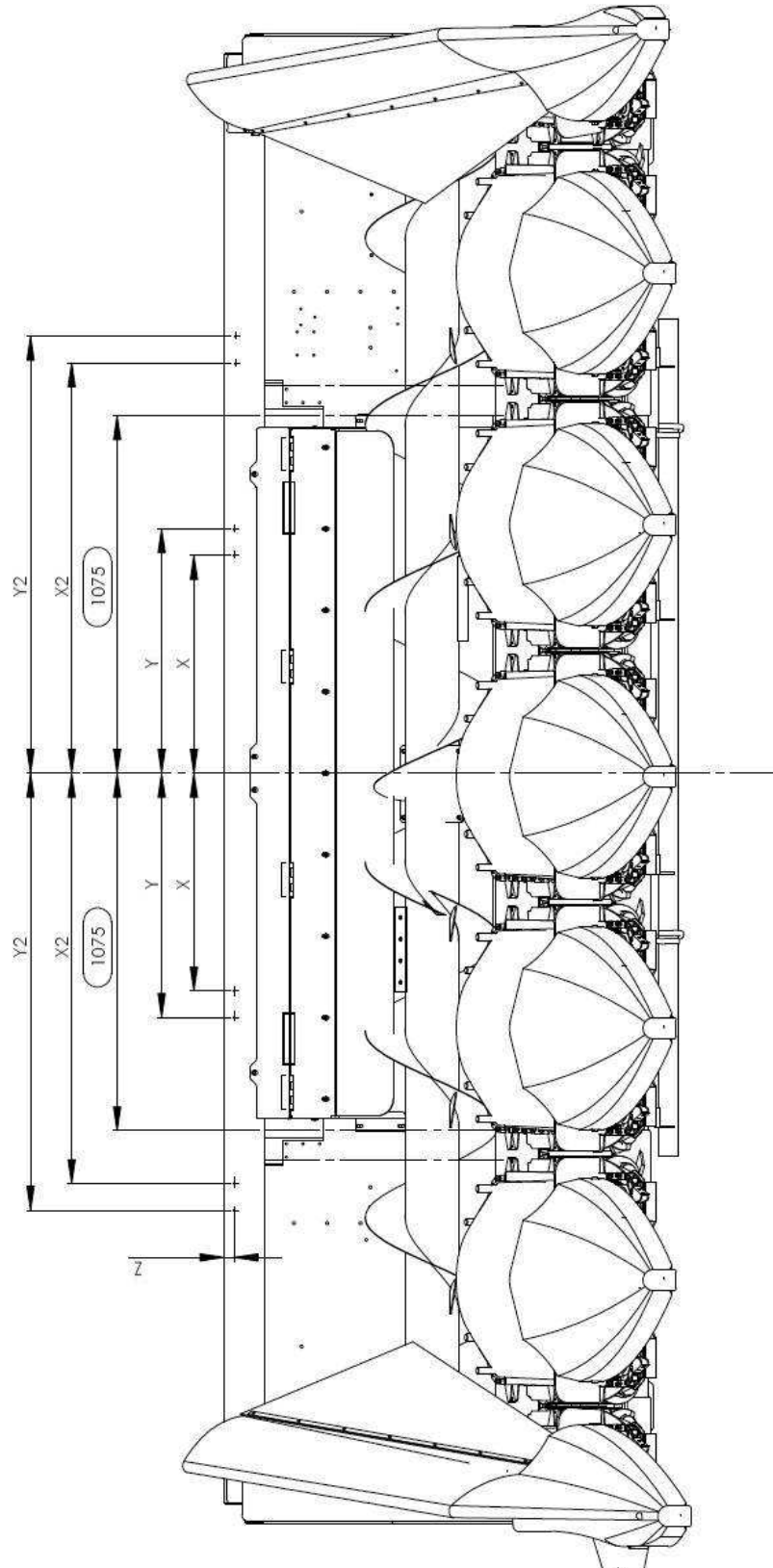
**WARNING!**

The adapter primary function is corn harvesting. Using the sunflower kit is only recommended in small area (0-50h/year). Harvesting greater quantity will cause considerably faster degradation (mainly the plastic covers are affected), the manufacturer doesn't take any responsibility for damage originating from irregular usage of the adapter!



## 9 Technical documentation for assembling the sunflower saver net

### 9.1 Drill the necessary holes on the upper beam:

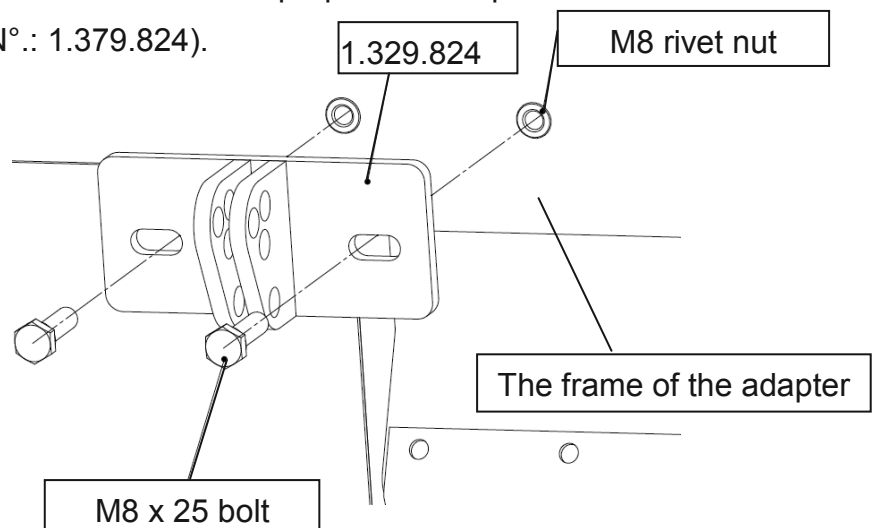


The lengths marked on the figure vary by adapter size. The following table contains them:

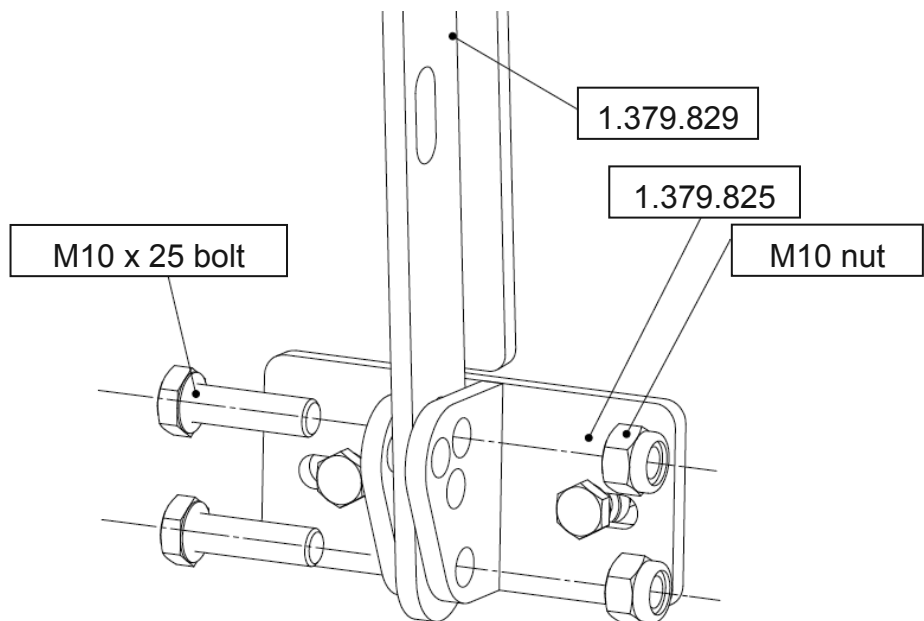
	X1	Y1	X2	Y2	Z	Hole Ø
<b>Cornado Rigid 6R</b>	579 mm	659 mm	-	-	30 mm	11 mm
<b>Cornado Rigid 8R</b>	973 mm	1053 mm	-	-	40 mm	11 mm
<b>Cornado Rigid 12R</b>	973 mm	1053 mm	2525 mm	2605 mm	40 mm	11 mm

## 9.2 Assembling the central net:

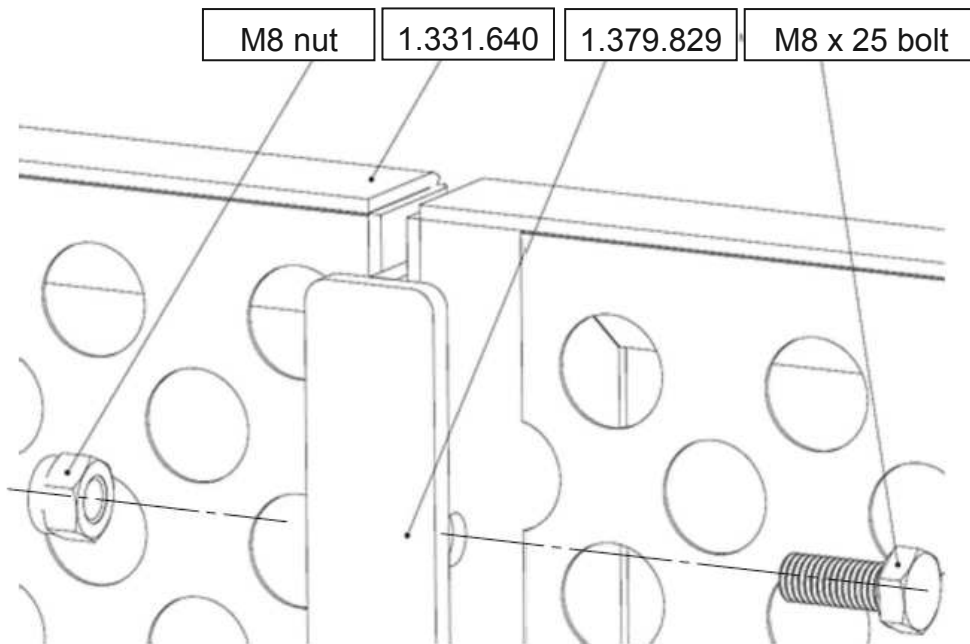
- Fasten rivet nuts to the holes prepared in step one and mount the brackets (part N°.: 1.379.824).



- Using 10x25 bolts fasten the Holder (part N°.: 1.379.829) to the shoe.

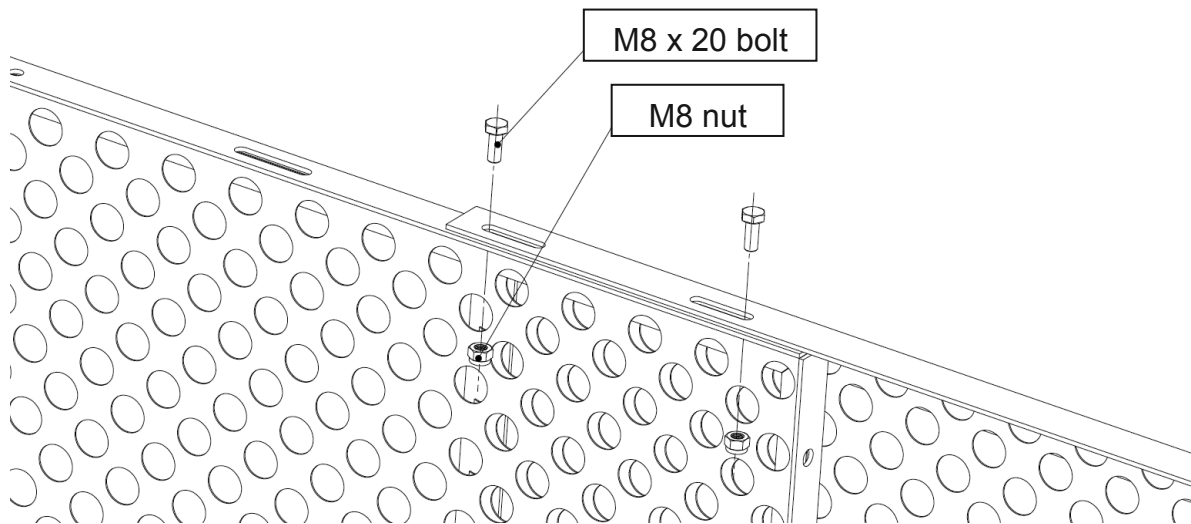


- Using M8x25 bolts fasten the central net and the side net to the holder.



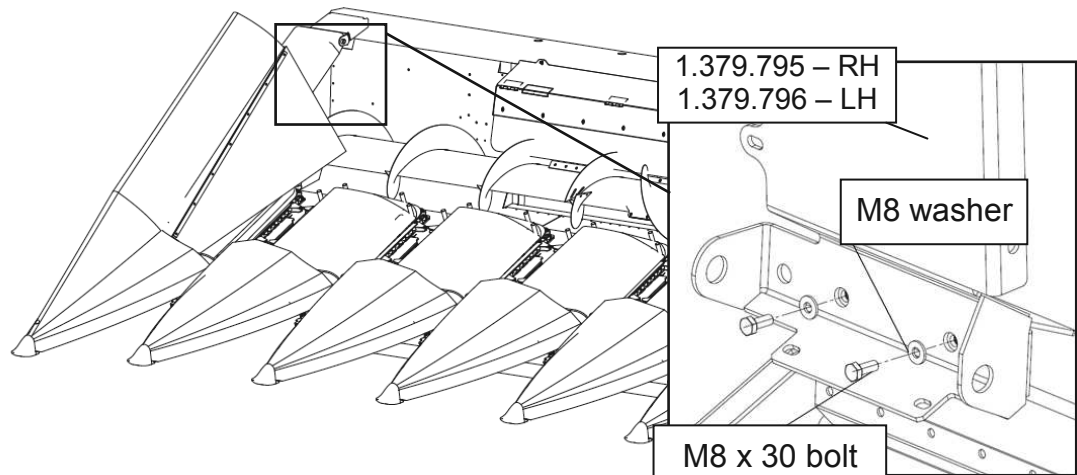
### 9.3 Assembling the adjustable net

- Using M8x20 bolts fasten the adjustable nets to the side net parts.



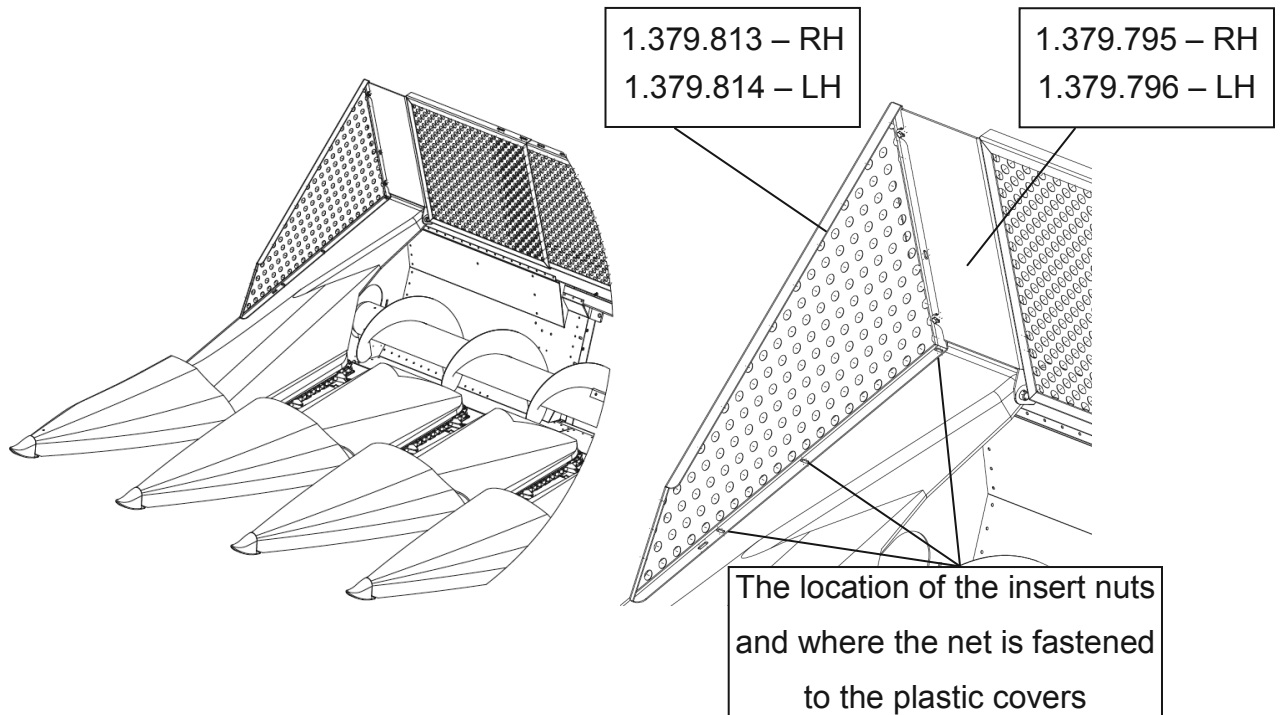
### 9.4 Mounting the outer holders

Replace the pre-built holders: 1.376.721 to 1.379.795; 1.376.722 to 1.379.796



### 9.5 Fastening the side nets

- Mark the locations of the holes on the plastic covers
- Drill the holes with the diameter of 9mm
- Fasten plastic insert nuts
- Fasten the side nets with M8x20 bolts to the plastic covers.





## 9.6 Mount the parts and fasten them together through the oval holes.

. Make sure that the parts compared to each other and to the frame are in a stable position. Lift the feederhouse slowly to ensure that the net doesn't reach the combine's cabin's windscreen.

## 9.7 The quantity of the used parts by header type:

Ref.	Part number	Description	Cornado Rigid 6R	Cornado Rigid 8R	Cornado Rigid 12R
1.	1.331.635	Net welded	1	-	-
1.	1.331.640	Net welded	-	1	3
2.	1.379.824	Bracket welded	2	2	4
3.	1.379.829	Holder welded	2	2	4
4.	79410002566	Hex bolt - M10X25 - DIN933/8.8.	4	4	8
5.	74910000066	Lock nut - M10 - plastic insert - DIN985.	4	4	8
6.	96717970000	Insert nut - M8X16	5	5	10
7.	79408003066	Hex bolt - M8X30 - DIN933/8.8	4	4	8
8.	1.379.805	Fix net welded	2	-	2
8.	1.379.809	Fix net welded	-	2	-
9.	79410002566	Hex bolt - M10X25 - DIN933/8.8	4	4	8
10.	74910000066	Lock nut - M10 - plastic insert - DIN985	4	4	8
11.	1.379.830	Adjustable net welded - LH	1	1	1
12.	1.379.799	Adjustable net welded - RH	1	1	1
13.	79408002066	Hex bolt - M8X20 - DIN933/8.8	18	18	18
14.	74908000066	Hex nut - plastic insert - M8 - DIN985	8	8	8
15.	1.379.795	Holder - RH	1	1	1
16.	1.379.796	Holder - LH	1	1	1
17.	1.379.813	Net welded - RH	1	1	1
18.	1.379.814	Net welded - LH	1	1	1
19.	74908000066	Hex nut - plastic insert - M8 - DIN985	4	4	4
20.	96714446000	Insert nut - M8X13	8	8	8

## 10 Harvesting

The corn head is ready for harvesting after completing the preceding instructions in this manual, which refer to Mounting, Set-up and Adjustment Procedure.

The corn head should be only used in operating position!

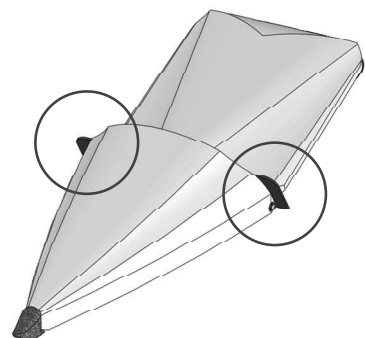
### WARNING!

The construction forming ensures together with the specified daily control and following the security requirements that the stalk shredder knife cannot move from the knife holder. You have to consider unexpected circumstances like the knife clashing with foreign material, stone or other subject lying on the ground. Any size of splinter can peel off the hardened knife blade into any direction.

It is FORBIDDEN to stay close to the adapter in operation!



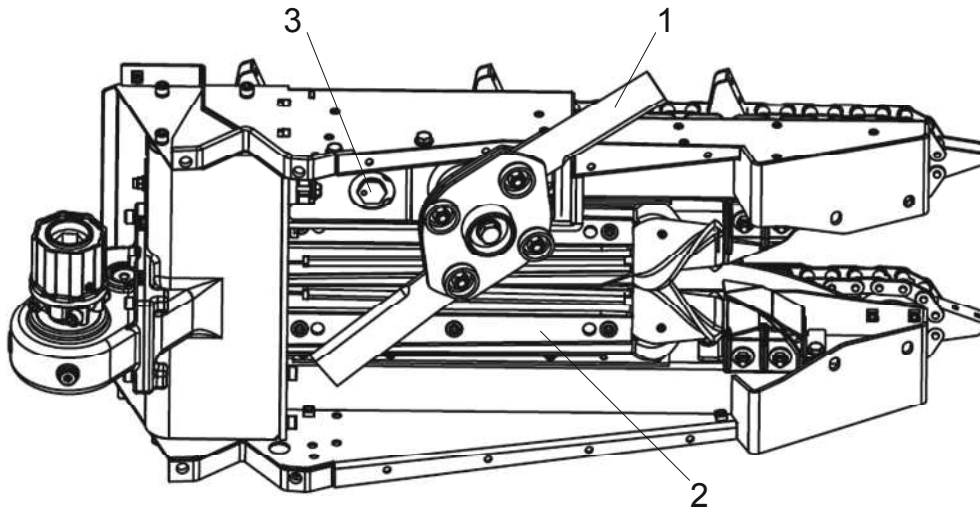
If the crop is severely lodged or laid, it is recommended to remove the rubber ear saver from the divider!



After 1 hour of initial operation, stop the machine, remove the combine engine key, and check the following:

- warming of the snapping unite drive (max. 40-60°C),
- any parts loosening/loss,
- chain tension (gathering chain, auger drive chain),
- general condition, divider condition

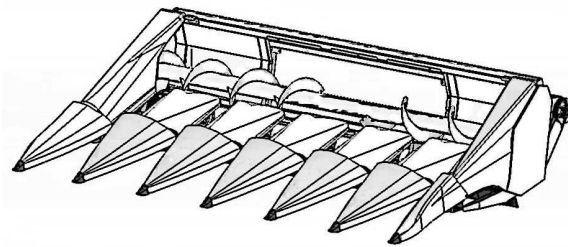
Stalk chopper equipped with special knives (1) which allows for the stem to be cut directly under the snapping rolls (2). The stalk chopper drive can be disconnected using a switch (3) turning it 180 degrees.



If the knives need to be replaced, use the parts catalogue for ordering! Please take into consideration, that with the replacement of the knives, the knife housing and knife bolts also need to be replaced!

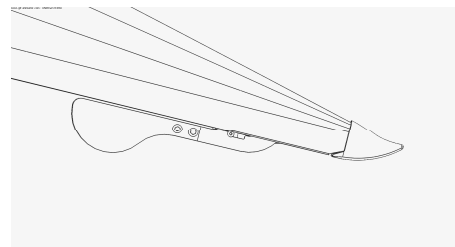
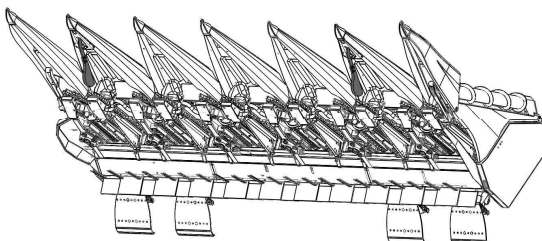
### 10.1 Corn Head Automatic Header Height Control (AHHC) System

The AHHC system requires a combine which is equipped with an OEM (Original Equipment Manufacturer) AHHC system. It also operates with the combine lateral header tilt system if the combine is equipped with one.



Normally 2 sensors are mounted to the corn head, one on each of the snouts just inboard of the outer snouts.

If the combine OEM AHHC system supports it a third sensor can be installed into the middle snout (the harness is designed to support it but it's only used on headers with 12 or more rows).



Normally the following adjustments can be made from (or at) the combine:

- corn head height above the ground,
- sensitivity (the amount of sensor movement before the system reacts),
- speed (how fast should the header move)

**Required components for installation:**

- In the spare parts catalogue 42. page there is a sensor assembly, 2 will be needed of it.
- Wires (The number and type of the wires varies by combine type).
- Combine specific harness

**Required components for mounting the system to a different type of combine:**

- Harness for the specific combine type (1pcs)
- Sensors (2pcs)

**WARNING!**

The AHHC system cannot negate the need for human attention.  
In case of a system failure the operator must intervene to prevent accidents.



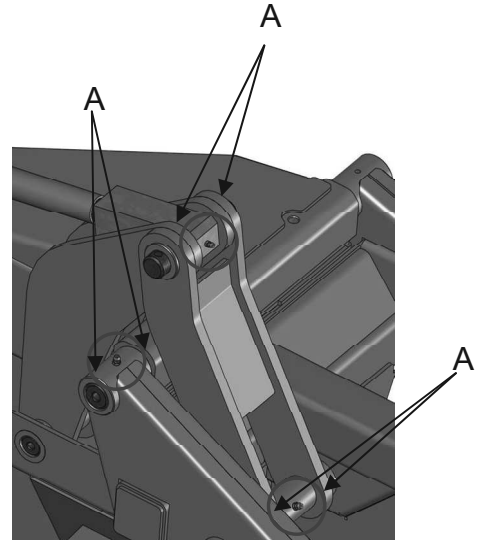
## 11 Maintenance and lubrication

Before you begin any maintenance work on the machine, hang out the start prohibiting orders of the machine, clearly visible.

### 11.1 Frame

The frame of the non-folding machines does not require any special maintenance.

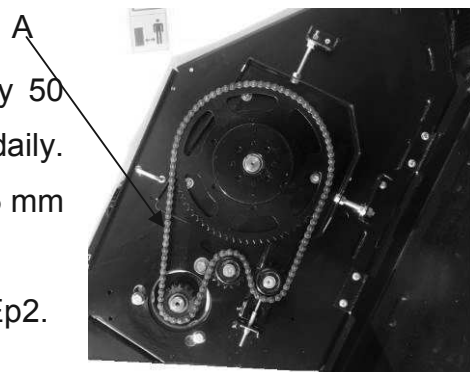
The folding mechanism of the folding corn head should be greased with Liton Ep2 or equivalent quality grease once a season. Grease the fitting until grease extrudes from the sides of the parts shown on the picture (marked with "A")!



### 11.2 Auger

The auger drive chain(s) should be greased every 50 hours, and the chain tension should be checked daily. The chain tension is proper if the chain bends 10-15 mm at the showed position ("A").

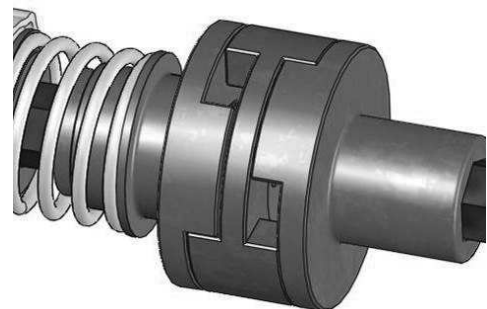
The clutch jaws should be greased daily with Liton Ep2.



### 11.3 Auger connecting clutches

Grease the surfaces of the clutch jaws every 50 hours with Liton Ep2.

The snapping unit drive and the auger connecting clutches have to be greased with Liton Ep2 in operating state (unfolded state).



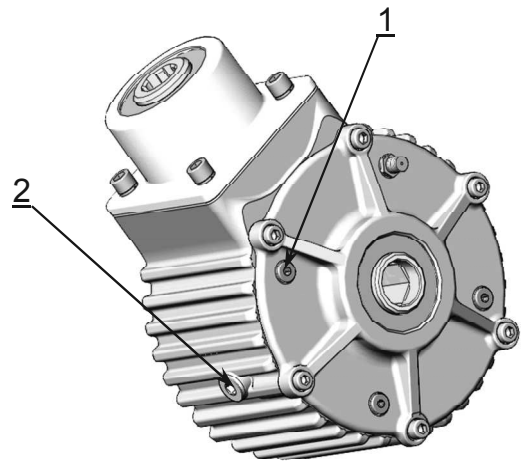
## 11.4 Drive units

The drive of the snapping unit can be shaft-driven or double joint coupling driven (see "Setup procedure and adjustment of the corn head"). Grease the cardan cross through the fitting with Liton Ep2 until it extrudes from the part.

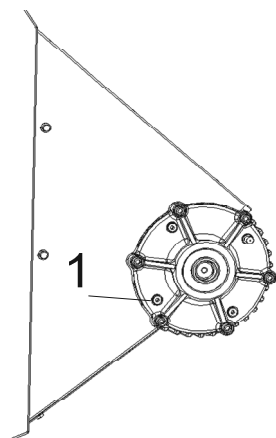
## 11.5 Input gearboxes

There is a 90 degree pinion gear in the input gearbox. SAE 80W-140 signed oil is used for the lubrication of the drive. The oil level can be checked by screwing out the closing bolt (1). It is enough to check the oil level once a year, if there is't any oil flow or oil spill. The necessary amount is 0,9 liter.

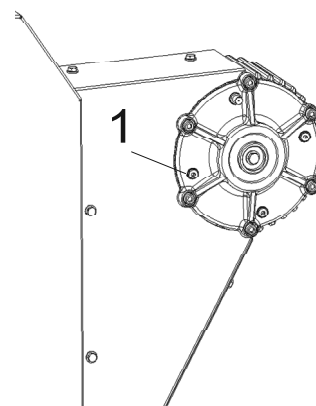
The control must be performed when adapter is in a work position! The oil drain and oil filling bolts are on the nappe of the gearbox (2), but the uploading can be done through the holes of the cover, after the closing screw(1) is removed.



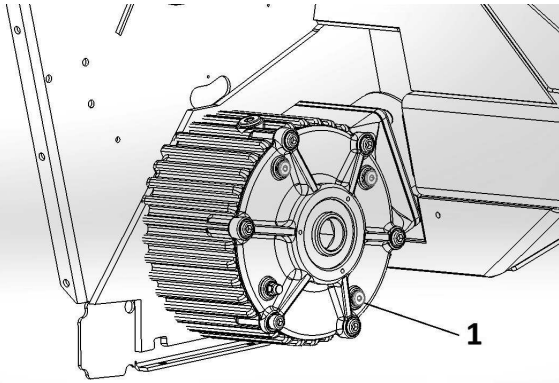
Location of the oil checking bolts on the gearbox:



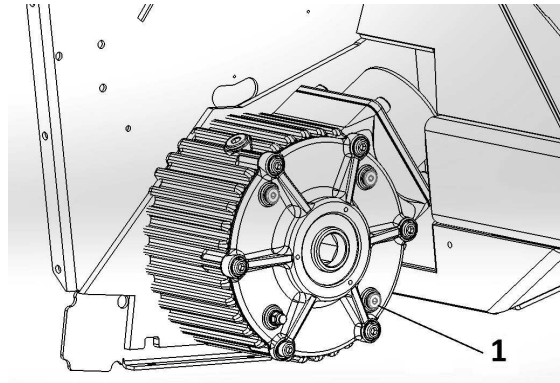
The "driving" gearbox is fixed in the lower position (for example: John Deere)



The "driving" gearbox is fixed in the upper position ( for example: Claas Lexion, Fiat)



“Driven” gearbox, if the “driving” gearbox is fixed in the lower position.



“Driven” gearbox, if the “driving” gearbox is fixed in the upper position.

The location of the breather also depends on the final position of the gearbox. It is important that the breather is placed on the hole over the theoretic oil level (preferably).

## 11.6 Drive connecting elements

### 11.6.1 Cardan shaft

- The cardan shafts have a 250 hours inspection period
- check the cardan shafts and the cross shafts of the beginning of every season, if necessary grease the sliding surfaces

### 11.6.2 Chain clutches and other designed clutches

- requires seasonal lubrication

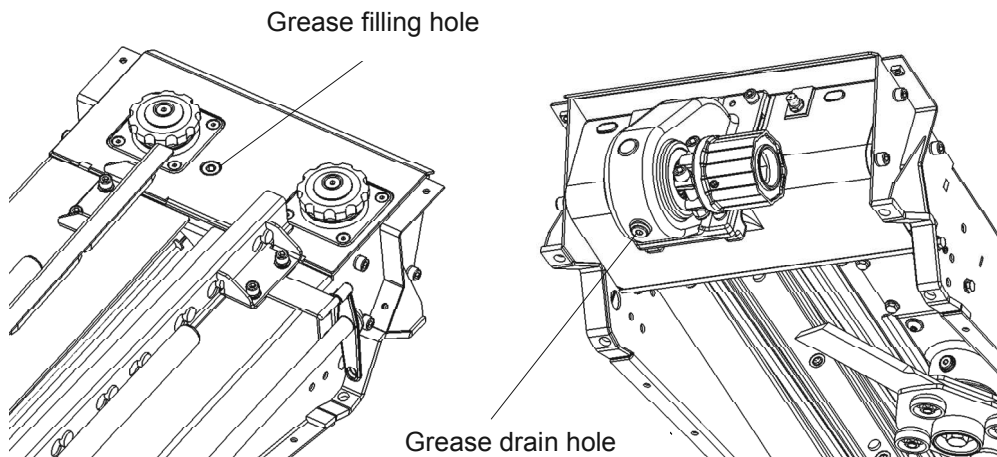
## 11.7 Snapping unit

### 11.7.1 Gearbox

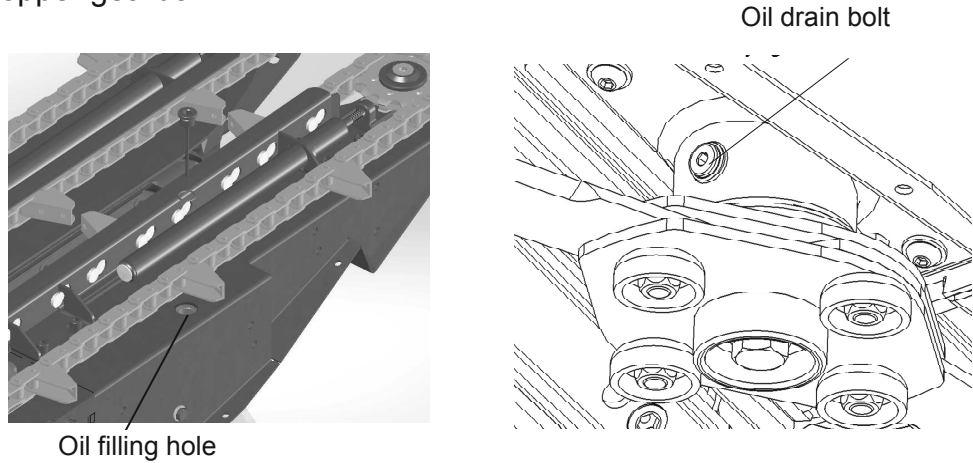
	Snapping unit gearbox	chopper gearbox
SAE 80W-140 lubricating oil	-	0,26 kg (0,3 l)
EP-00 (fluid) grease	2,5 kg (2,5 l)	-
Oil level check	Beginning of every season, or detecting oil spill	50 hours, or detecting oil spill

Check every day the gearbox, to detect leakage, or oil flow which may cause failure!

Snapping unit main gearbox:

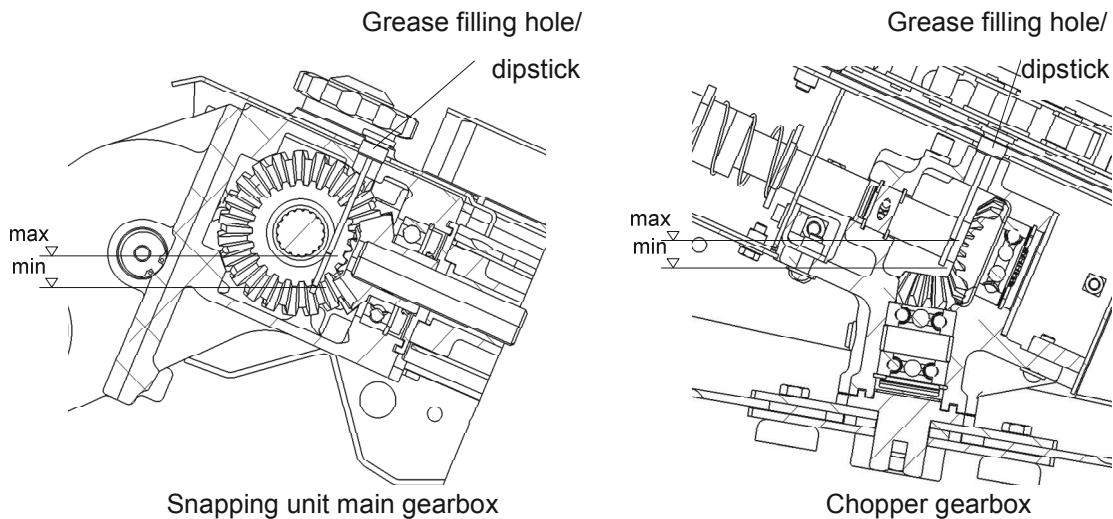


Stalk chopper gearbox:



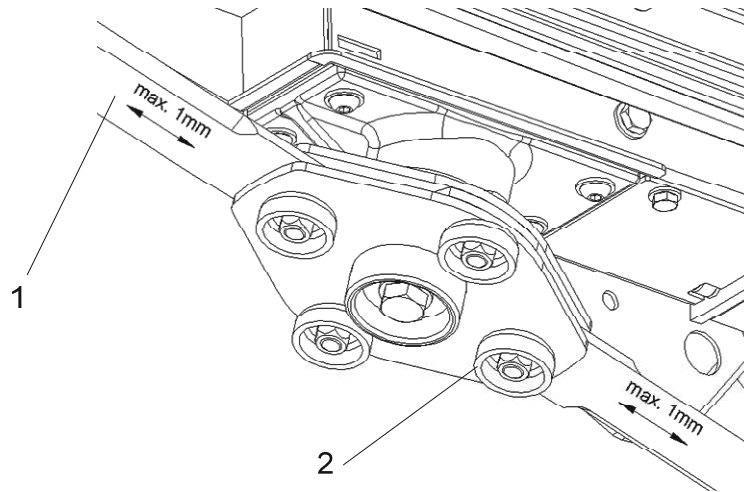
Procedure to check the oil level:

- first screw off the dipstick then wipe it clean,
- Put back the dipstick into its place (DO NOT SCREW BACK THE DIPSTICK!),
- wait a second and pull out the stick, see the level (The oil level must be in the middle of the min. and max. warning lines!)





Chopper knives and their maintenance:



**WARNING!**

Check knife (1) condition daily!

Never use damaged knives!

The radial clearance between knife and bushing should not exceed 1 mm (see figure!), if it does the knife needs to be replaced.

Knives must be changed only in pairs because of their high rotational speed and balance requirements.

Never operate the chopper without the covering rings of the lock nuts (2) of the knife support!

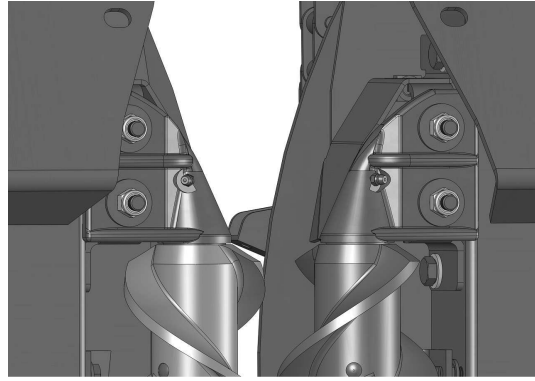
Tightness of the knife support bolts should be checked daily.



**Neither the Manufacturer nor Distributor takes any responsibility for wear or failure resulting from improper maintenance or lubrication!**

### 11.7.2 Snapping roll

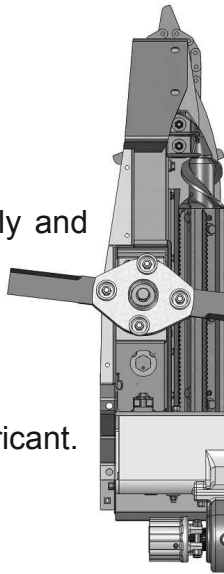
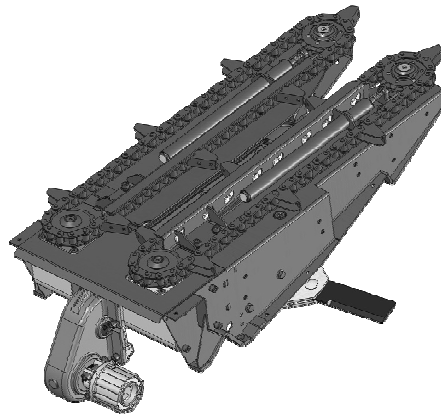
The snapping rolls' bearings are filled up with Liton Ep2. Depending on usage they will need to be re-greased using the fitting on the top of the roll. Every 250 hours it needs to be re-greased.



The tightness of the screws of the snapping rolls must be checked regularly and tightening them if necessary!

### 11.7.3 Gathering chain

- If being in active use it must be lubricated every day using eco-friendly lubricant.
- Every day, check for abnormal wear and frictions



The corn head Pre-harvesting and Pre-delivery inspection checklists are at the end of the operator's manual.

Please verify the corn heads condition before the first running procedure following the Pre-delivery inspection.

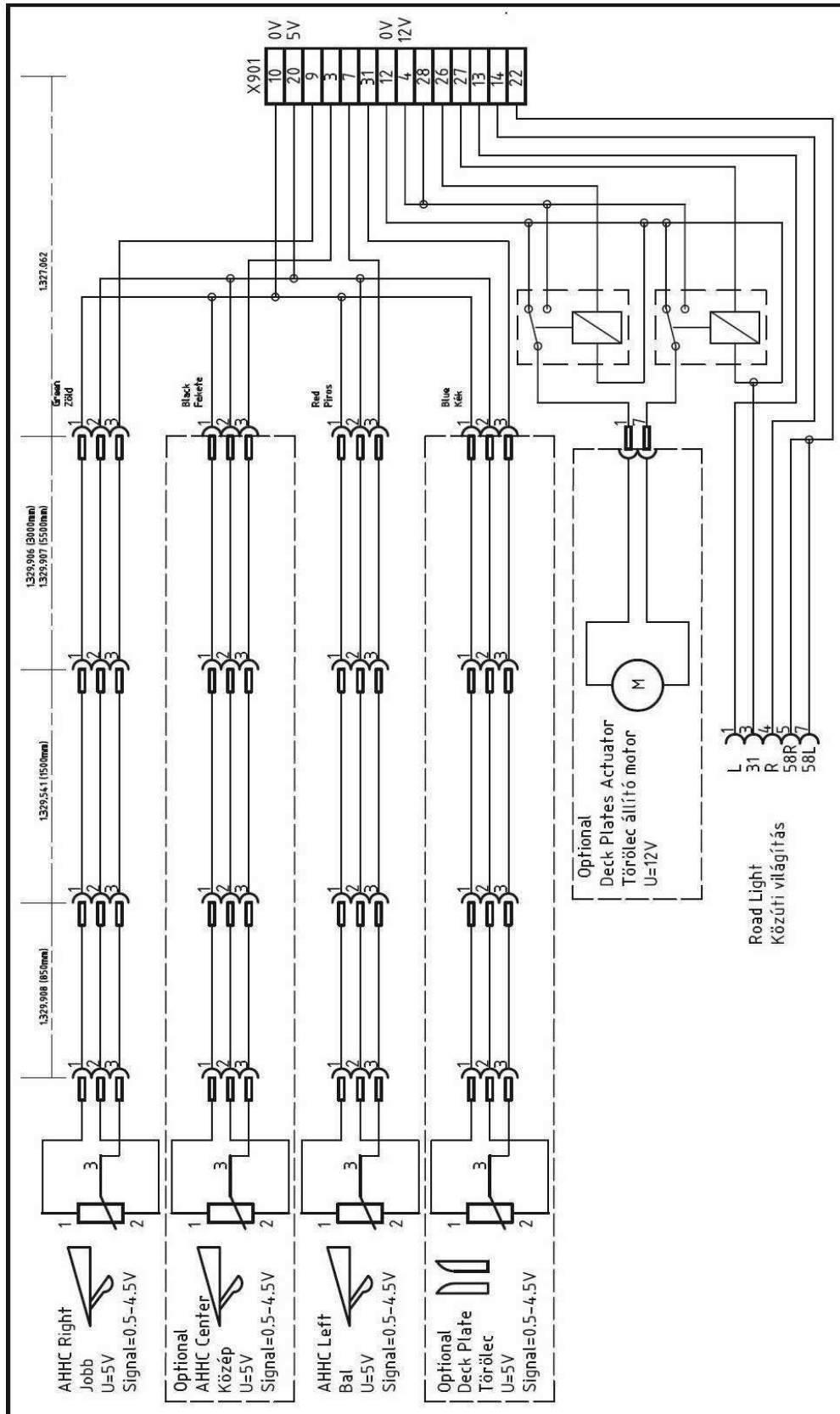
Please verify the corn heads condition before each harvesting following the Pre-harvesting inspection.

11.8 Lubrication chart

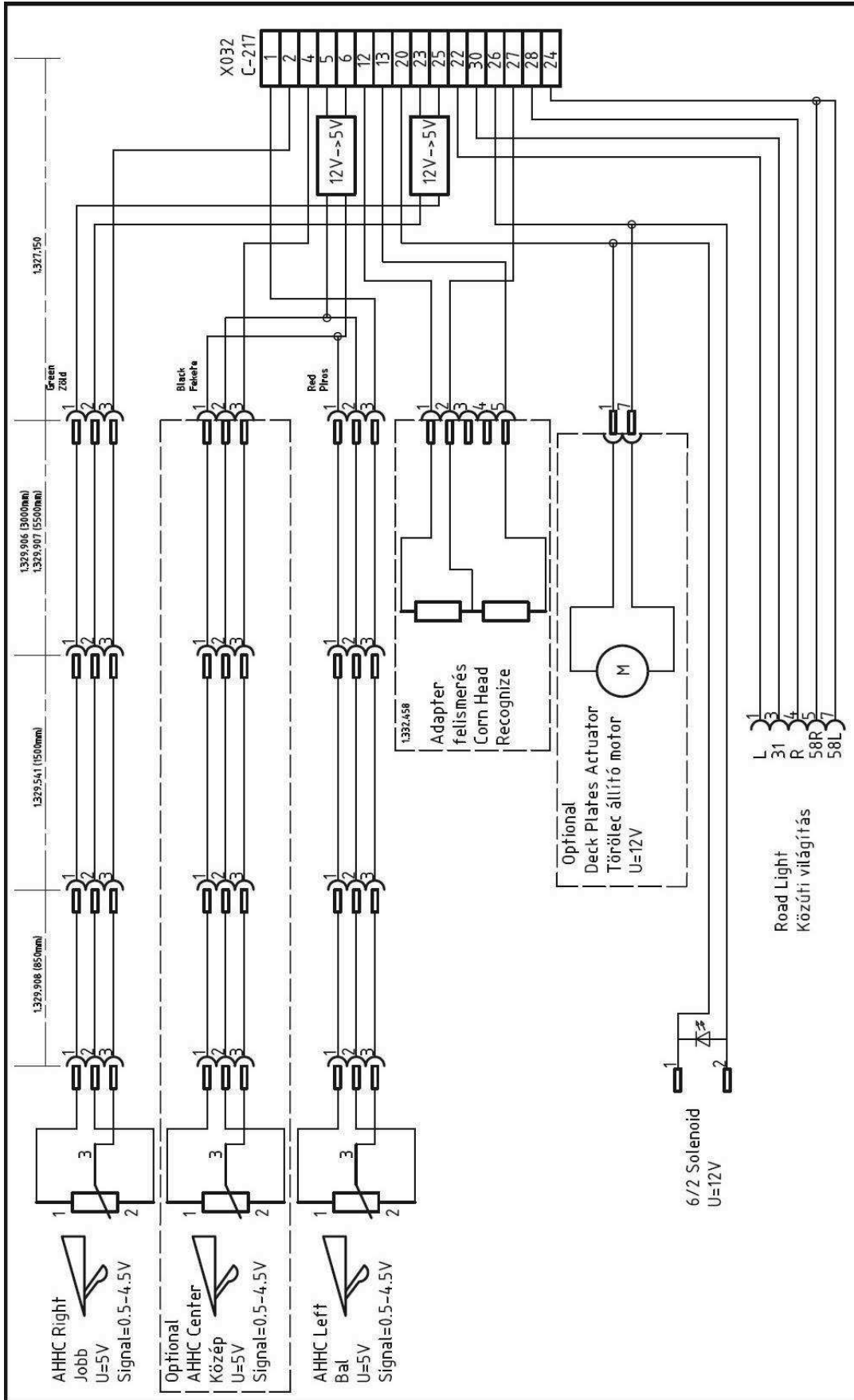
Lubrication table			
#	type	period	qty.
1	Liton EP2	250 [h]	look at the operator's manual
2	Liton EP2	250 [h]	look at the operator's manual
3	Liton EP2	50 [h]	look at the operator's manual
4	EP-00 grease	250 [h]	5,5 [pounds], 2,5 [kg]
5	Liton EP2	250 [h]	look at the operator's manual
6	Liton EP2	50 [h]	look at the operator's manual
7	Liton EP2	50 [h]	look at the operator's manual
8	Liton EP2	250 [h]	look at the operator's manual
9	Liton EP2	250 [h]	look at the operator's manual
10	Gearbox oil	50 [h]	look at the operator's manual
11	Gearbox oil	10 [h]	look at the operator's manual
12	SAE 80W-140	50 [h]	10,15 [fl.oz.]; 0,3 [l]
13	SAE 80W-140	250 [h]	30,45 [fl.oz.]; 0,9 [l]

## 12 Electrical schematics

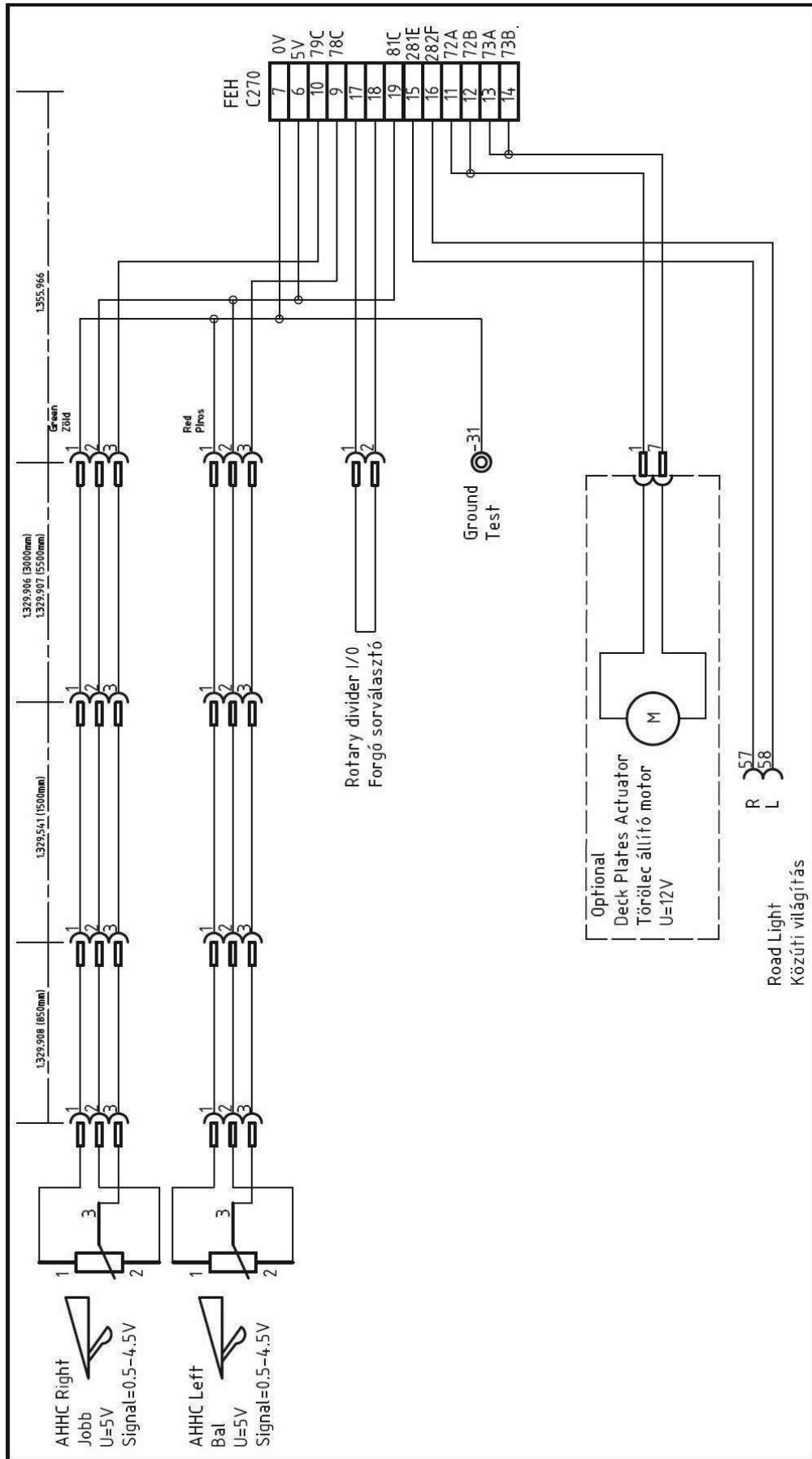
### 12.1 JD electrical schematic



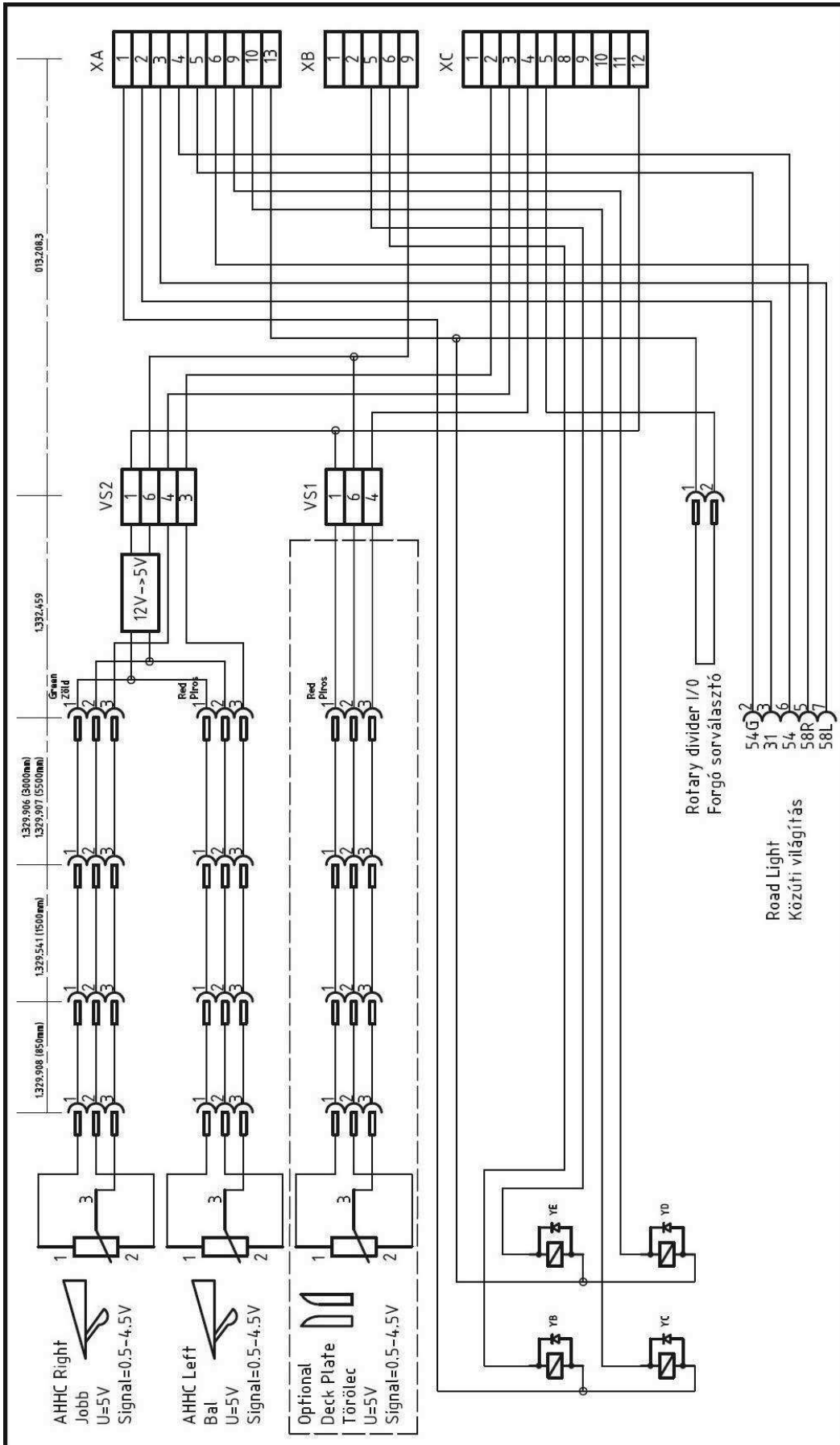
12.2 CNH electrical schematic



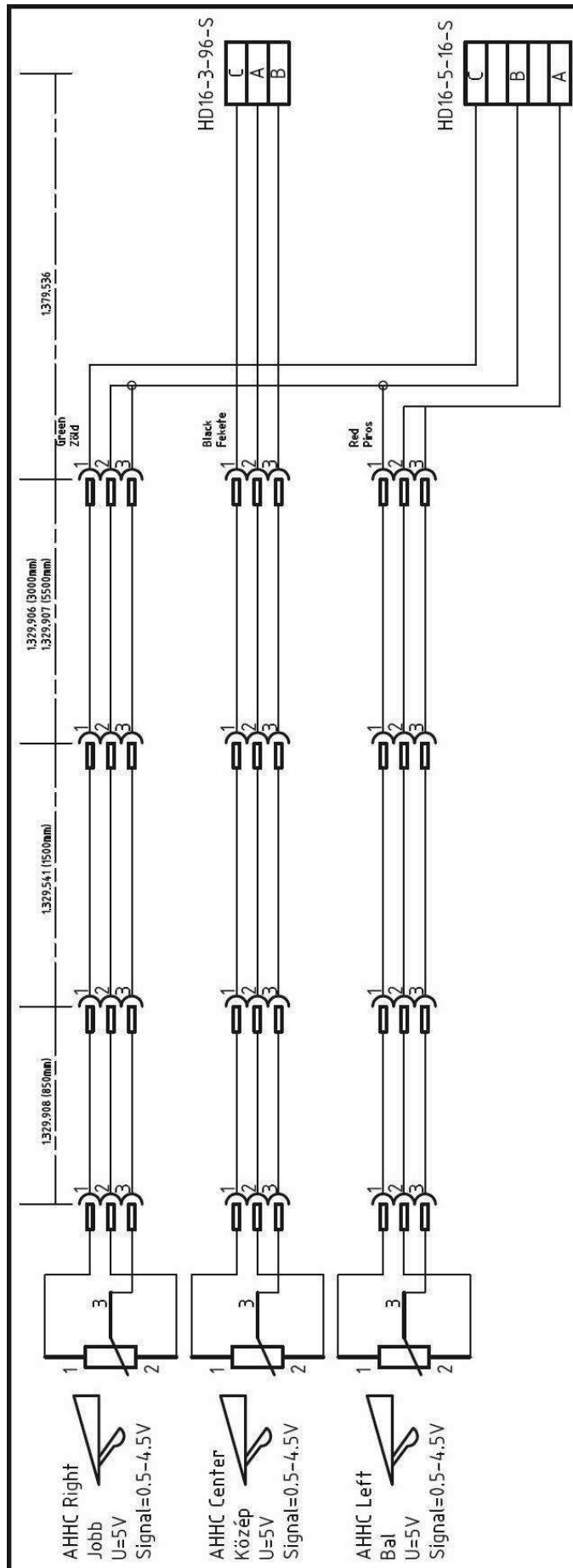
### 12.3 AGCO electrical schematic



12.4 CLAAS Lexion electrical schematic



### 12.5 CIH 2000 electrical schematic





## 13 Troubleshooting

In this chapter, the most often occurring problems were listed. Of course all possibilities cannot be listed, so please, if you encounter a phenomenon that is not listed in the table, or the specified solution proposals prove to be insufficient, please call our customer support!

Possible causes	Solution suggestions
Problem 1. A large quantity of grain ears are between the gathering auger and feeder house.	
The combine was not properly assembled for corn harvesting.	Make sure that the combine was assembled for corn harvesting in accordance with the instructions. If it was, expand concave gap to about 60 mm. See the specification written in the combine's operator's manual!
Problem 2. In laid or lodged corn stalks, the stalks do not feed properly into the snapping rolls.	
In some cases the rubber ears equipped on the plastic covers may prevent the stalk from getting into the snapping unit.	Remove rubber ears from the plastic cover! <i>(see: Chapter 10)</i>
Problem 3. Snapping unit can get clogged.	
The corn stalk thickness and variety of stocks may change. The gathering chain may slip.	Set the snapping plate to an optimal distance! <i>(see: Chapter 8.5)</i> Check the chain adjuster's settings! Replace the gathering chain!
Problem 4. Stalk or weed is winded up on the snapping roll.	
Set plough gaps.	Set snapping roll gaps! <i>(see: Chapter 8.6)</i>
Problem 5. Gathering auger does not rotate.	
Check setting of the auger drive torque limiting clutch. The auger is overloaded.	Check the safety switch if necessary, replace the friction pads! <i>(see: Chapter 8.2)</i> Decrease the quantity of the crop by decreasing the speed of the combine; adjust the position of the auger.
Problem 6. Ears split from gathering hollow.	
The gathering auger speed is too high.	With sprocket-exchanged, reduce the gathering auger speed!! <i>(see: Chapter 8.2)</i>

Possible causes	Solution suggestions
Problem 7. Difficulty in keeping the corn head properly on the row.	
Check row spacing of the corn head.	Check the corn stocks and the row spacing!
Problem 8. The gearbox is very warm.	
Gearbox has insufficient supply of lubricant.	Check the gearbox oil level!
Problem 9. The driving chain of the gathering auger is too loud.	
The driving chain of the gathering auger is not sufficiently tight.	Set the tightness on the driving chain!
Problem 10. The driving chain of the gathering auger is creaking.	
The lubrication of the chain inadequate.	Auger drive chain(s) should be greased as prescribed in the Maintenance and lubrication section! (see: Chapter 11)
Problem 11. One or more chopper knives don't work.	
The chopper drive's switch is broken or turned off.	Make sure that the chopper drive is in a connected condition!
Problem 12. The snapping plates are not moving correctly.	
The snapping plate mechanism gets clogged. The hydraulic snapping plate adjuster is not functioning correctly.	Clean the mechanism. Several times a day the snapping plate needs to be moved! Check the hydraulic system (hoses, pipes, connections), makes sure there is no air bubbles in the system.
Problem 13. High corn-cob loss.	
The snapping plates are not correctly adjusted. Too high harvesting speed.	Set the gap between the snapping plates to smaller! Decrease the harvesting speed!

## 14 Winter storage of the corn head

Wash the machine after the harvest is finished, remove the residue of stems. Examine the machine so it can work trouble-free during the next season. Reapply the worn off paint, if you cannot do it, grease the metal construction. Store the adapter in a covered place if not possible then, disassemble the gathering chains, grease them or place them in an oil bath and at least take them in to a covered place. Replace the missing or damaged covers, parts, safety labels!

**Warning!**

Where there is a possibility of the lubricants get washed in to the soil only use eco-friendly lubricants!



## 15 Warranty, customer support, order of spare parts

If you have questions regarding the guarantee or the shipping service contact your dealer.

As the producer has no influence on lubricating, cleaning, maintenance & storing specifications we do not take responsibility for damage or deterioration caused by incorrect usage (not respecting the operator's manual, machine is not used according to its designation) of corn head.

The guarantee doesn't cover consumable parts.

Consumable parts:

- Cleaning knives
- Chopper knives
- Chains
- Plastic covers
- Rubber ears

Please send an e-mail to the following e-mail address: [oros.garancia@linamar.com](mailto:oros.garancia@linamar.com) before putting the header into operation with the following information:

- Address
- Phone number
- E-mail address
- The serial number of the header
- The date the header was put into operation

If you fail to do it then the guarantee is considered active after the manufacturer's invoice's date of creation.

You can receive further details about the guarantee from our customer support.

### Warning!

Your spare parts order should be forwarded to your dealer according to the corn head's type and serial number as well as the identification number in the spare parts lists!



## 16 Environment protection

### 16.1 The effects of operation on humans

The machine (as a consequence of its dimensions and mainly its function) is full of rotating, moving parts. These elements are sources of danger.

To provide safe working conditions respect work protection regulations mentioned in the operating manual completely, do the required maintenance. Use the prescribed lubricating materials for maintenance!

### 16.2 Solid and other wastes

Wastes produced during setup and operation is the following:

- Wood used for packing: environment-friendly element. No need for special attention concerning its store, annihilation.
- Grease, and oils used for lubrication: collect waste lubricating materials in a separate store vessel and carry it to the nearest collector place (e.g. gas station).
- Worn out or replaced metal elements: collect the elements and transport them to the nearest recycling plant,
- Damaged or unusable plastic shields and plastic shrink-wrap and band used for packing should be handed over to the waste treatment institution (for disposing) carrying out local public service. For re-cycling, you can hand it over to a recycler firm.

If the machine wears out and it is to be scraped, then the described method above is authoritative.

### 16.3 Noise emission

The corn head itself is inoperable, the appropriate role of the corn head can only be achieved when it's mounted on a combine.

#### WARNING!

The combine and the corn head noise level exceeds 85 dB, hearing protection must be used if staying longer near the machine. In the combine cab noise level doesn't exceed the threshold value, so the hearing protector is optional.



## 17 Contact



### **LINAMAR Hungary Zrt.**

Address: MAGYARORSZÁG, H-5900 Orosháza, Csorvási út 27.

Telephone: +36 68 514-600

Fax: +36 68 514-692

E-mail: [oros@linamar.com](mailto:oros@linamar.com)

Webpage: [www.oros.linamar.hu](http://www.oros.linamar.hu)

18 Inspections



# CORN HEAD PRE-DELIVERY INSPECTION

## PRE-DELIVERY INSPECTION

Please verify using the checkboxes below that the corn head is properly set up for harvesting. Check the following and adjust if necessary:

- |   |  |
|---|--|
| <input type="checkbox"/> LIFTING BAR AND OTHER PACKAGING ARE REMOVED        | <input type="checkbox"/> SNOUTS AND DIVIDERS ADJUSTED AND SECURED        |
| <input type="checkbox"/> LOWER LATCHES PROPERLY CONNECTED TO COMBINE FEEDER | <input type="checkbox"/> SAFETY SHIELDS SECURED                          |
| <input type="checkbox"/> CORN HEAD IS LEVEL                                 | <input type="checkbox"/> GEARBOX LUBRICANT TO PROPER LEVELS              |
| <input type="checkbox"/> DRIVE SHAFTS PROPERLY CONNECTED TO COMBINE FEEDER  | <input type="checkbox"/> AUTOMATIC HEADER HEIGHT CONTROL (IF APPLICABLE) |
| <input type="checkbox"/> ELECTRIC AND HYDRAULICS PROPERLY CONNECTED         | <input type="checkbox"/> FOLDING/UNFOLDING OPERATION (IF APPLICABLE)     |
| <input type="checkbox"/> SNAPPING PLATE ADJUSTER OPERATION                  | <input type="checkbox"/> SNAPPING ROLL CLEARANCES                        |
| <input type="checkbox"/> GATHERING CHAIN PROPERLY TENSIONED                 | <input type="checkbox"/> ALL NUTS AND BOLTS ARE SECURED                  |
| <input type="checkbox"/> DRIVE CHAINS PROPERLY TENSIONED                    | <input type="checkbox"/> FREE ROTATION OF CHOPPER KNIVES (IF APPLICABLE) |
|   | <input type="checkbox"/> TEST RUN FOR 30 MINUTES                         |



# CORN HEAD PRE-HARVEST INSPECTION

## PRE-HARVEST INSPECTION

Please verify using the checkboxes below that the corn head is properly set up for harvesting. Check the following and adjust if necessary:

- |   |                          |   |                          |
|---|--------------------------|---|--------------------------|
| LOWER LATCHES PROPERLY CONNECTED TO COMBINE FEEDER    | <input type="checkbox"/> | AUTOMATIC HEADER HEIGHT CONTROL (IF APPLICABLE) | <input type="checkbox"/> |
| CORN HEAD IS LEVEL                                    | <input type="checkbox"/> | FOLDING/UNFOLDING OPERATION (IF APPLICABLE)     | <input type="checkbox"/> |
| DRIVE SHAFTS PROPERLY CONNECTED TO COMBINE FEEDER     | <input type="checkbox"/> | ALL LUBRICANTS HAVE BEEN CHECKED                | <input type="checkbox"/> |
| ELECTRIC AND HYDRAULICS PROPERLY CONNECTED            | <input type="checkbox"/> | TEST RUN FOR 30 MINUTES                         | <input type="checkbox"/> |
| SNAPPING PLATE ADJUSTER OPERATION. CLEAN IF NECESSARY | <input type="checkbox"/> |   |                          |
| SNOUTS AND DIVIDERS ADJUSTED AND SECURED PROPERLY     | <input type="checkbox"/> |   |                          |





# MacDon®

CUSTOMERS  
**MacDon.com**

CUSTOMERS  
**MacDon.com**

Trademarks of products are the marks of their  
respective manufacturers and/or distributors.

Printed in Canada