

**A30-S & A30-D
Pull-Type Mower Conditioners**

**A30-S, A30-D & A40-D
Self-Propelled Auger Headers**

OPERATOR'S MANUAL

Model Year - 2010

Part #169000 Rev B



MACDON A40-D SELF-PROPELLED AUGER HEADER



MACDON A30-D PULL-TYPE MOWER CONDITIONER

1 INTRODUCTION

This manual describes the operating and maintenance procedures for the Model A30-S, A30-D, and A40-D Auger Headers, including a Grass Seed version. Your new Auger Header is designed to cut, condition, and lay in windrows a wide variety of grasses and hay crops, and the double-knife feature that is available expands the operational envelope, especially in heavier crops.

MODEL *	DESCRIPTION	CONFIGURATION	KNIFE	SIZE (FT)	FEATURES
A30-S	A – Auger Header with Conditioner	30 - Self-Propelled Or Pull-Type	S - Single	14 and 16	Hydraulic Drive
A30-D	A – Auger Header with Conditioner		D - Double	14, 16 and 18	Hydraulic Drive
A40-D	A – Auger Header with Conditioner	40 - Self-Propelled		14, 16, and 18	Separate Hydraulic Auger, Knife and Reel Drives, Grass Seed Option.

* Model availability depends on dealer affiliation.

CAREFULLY READ ALL THE MATERIAL PROVIDED BEFORE ATTEMPTING TO UNLOAD, ASSEMBLE, OR USE THE MACHINE.

Use this manual as your first source of information about the machine. If you follow the instructions given in this manual, your Header/Mower Conditioner will work well for many years. A Parts Catalog is also supplied with your new Header/Mower Conditioner. If you require more detailed service information, see your dealer for availability of a Service Manual.

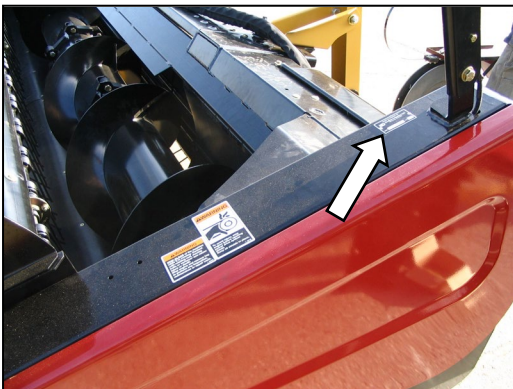
Use the Table of Contents and the Index to guide you to specific areas. Study the Table of Contents to familiarize yourself with how the material is organized.

Keep this manual handy for frequent reference and to pass on to new operators or owners. Call your dealer if you need assistance, information, or additional copies of this manual.

RECORD THE SERIAL NUMBERS OF THE HEADER AND ARTICULATING POWER TONGUE (APT) IN THE SPACES BELOW.

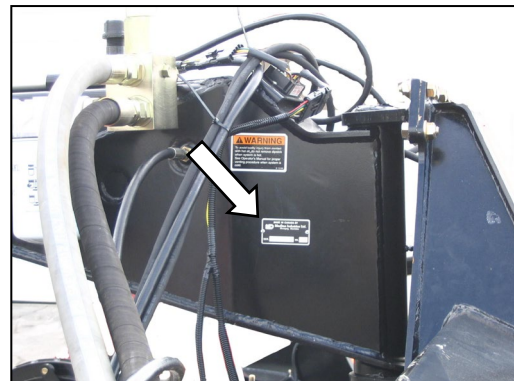
HEADER SERIAL NUMBER:

Serial Number plate is located at the top of the left hand end frame.



APT SERIAL NUMBER (PULL-TYPE) :

Serial Number plate is located at the top aft end of the APT.



PTO SPEED: 540 RPM 1000 RPM

TABLE OF CONTENTS

Section/Title	Page
1 INTRODUCTION	1
2 SAFETY	5
2.1 SAFETY ALERT SYMBOL	5
2.2 SIGNAL WORDS	5
2.3 SAFETY SIGNS	5
2.3.1 Safety Sign Installation	5
2.3.2 3-Panel Safety Sign Locations - Pull-Type	6
2.3.3 3-Panel Safety Sign Locations - Self-Propelled	9
2.3.4 2-Panel Safety Sign Locations - Self-Propelled	11
2.4 GENERAL SAFETY	13
3 DEFINITIONS	15
3.1 ACRONYMS AND ABBREVIATIONS	15
3.2 TERMS	15
4 COMPONENT IDENTIFICATION	16
4.1 PULL-TYPE	16
4.2 SELF-PROPELLED	19
5 SPECIFICATIONS	20
5.1 PULL-TYPE HEADERS	20
5.2 SELF-PROPELLED HEADERS	22
6 OPERATION	24
6.1 OWNER/OPERATOR RESPONSIBILITIES	24
6.2 OPERATIONAL SAFETY	24
6.3 TRACTOR SETUP – PULL-TYPE	25
6.3.1 Tractor Requirements	25
6.3.2 Drawbar Adjustment	25
6.3.3 Drawbar Hitch Set-Up	25
6.3.4 3 Point Hitch (Cat. II, III, or IIIN) Set-Up	27
6.4 MOWER CONDITIONER/ TRACTOR HOOKUP – PULL-TYPE	28
6.4.1 Drawbar Hook-Up	28
6.4.2 3 Point Hitch (Cat. II, III, or IIIN) Hook-Up	29
6.4.3 Hydraulic Connections	31
6.5 MOWER CONDITIONER / TRACTOR UNHOOK – PULL-TYPE	32
6.5.1 Drawbar Hitch Unhook	32
6.5.2 3-Point Hitch Unhook	34
6.6 HEADER ATTACHMENT – SELF-PROPELLED	35
6.6.1 A30-S, A30-D	35
6.6.2 A40-D	37
6.6.3 Configure Reverser Valve Jumper Hose	42
6.7 HEADER DETACHMENT – SELF-PROPELLED	44
6.7.1 A30-S, A30-D Detachment	44
6.7.2 A40-D Detachment	45
6.8 TRANSPORTING MOWER CONDITIONER	47
6.8.1 Self-Propelled	47
6.8.2 Pull-Type - Towing	47
6.8.3 Pull-Type - Flatbed	50
6.9 BREAK-IN PERIOD	54
6.10 PRE-SEASON CHECK	54
6.11 DAILY START-UP CHECK	54
6.12 SHUTDOWN PROCEDURE	55
6.13 ENGAGING THE PTO – PULL-TYPE	55
6.14 LIFT CYLINDER LOCK-OUTS	55
6.14.1 Self-Propelled	55
6.14.2 Pull-Type	55
6.15 STEERING – PULL-TYPE	56
6.15.1 Right Side Operation – Pull-Type	56
6.15.2 LH Side Operation – Pull-Type	57

TABLE OF CONTENTS

6.15.3	Avoiding Obstacles	57
6.15.4	Square Corners.....	57
6.15.5	180 Degree Turn.....	58
6.16	UNPLUGGING THE HEADER/MOWER CONDITIONER.....	59
6.16.1	Unplugging Conditioner – Pull Type	59
6.16.2	Unplugging Conditioner – Self-Propelled A30-S, A30-D	59
6.16.3	Unplugging Sickle	59
6.17	HEADER OPERATION.....	60
6.17.1	Lean Bar Position.....	60
6.17.2	Auger Speed	61
6.17.3	Reel Speed	62
6.17.4	Auger Position.....	63
6.17.5	Reel Position	72
6.17.6	Tine Aggressiveness Adjustment	77
6.17.7	Cutting Height	78
6.17.8	Header Angle	79
6.17.9	Header Flotation	80
6.17.10	Feed Pan / Rock-Drop Tine Position	81
6.17.11	Hay Conditioner	82
6.17.12	Roll Tension	85
6.17.13	Forming Shields	86
6.17.14	Ground Speed.....	88
6.17.15	Grass Seed Windrowing	89
6.18	HAYING TIPS	91
6.18.1	Curing	91
6.18.2	Topsoil Moisture.....	91
6.18.3	Weather and Topography	91
6.18.4	Windrow Characteristics	91
6.18.5	Driving On Windrow	91
6.18.6	Raking and Tedding.....	91
6.18.7	Chemical Drying Agents	91
6.19	STORAGE.....	92
7	MAINTENANCE/SERVICE	93
7.1	PREPARATION FOR SERVICING.....	93
7.2	RECOMMENDED SAFETY PROCEDURES	93
7.3	MAINTENANCE SPECIFICATIONS.....	94
7.3.1	Recommended Torques	94
7.3.2	Recommended Fluids and Lubricants	96
7.3.3	Conversion Chart.....	97
7.4	DRIVE SHIELDS.....	98
7.5	LIFT CYLINDER LOCK-OUTS	98
7.5.1	Self-Propelled	98
7.5.2	Pull-Type.....	98
7.6	LUBRICATION.....	99
7.6.1	Greasing Procedure.....	99
7.6.2	Lubrication Points	99
7.6.3	Oiling.....	109
7.6.4	Sealed Bearing Installation	111
7.7	HYDRAULICS.....	112
7.7.1	Hydraulics – Self-Propelled	112
7.7.2	Hydraulics – Pull-Type	112
7.7.3	Hoses and Lines	113
7.8	SICKLE AND SICKLE DRIVE.....	114
7.8.1	Sickle Section Replacement	114
7.8.2	Sickle Removal	114
7.8.3	Sickle Installation	115
7.8.4	Sickle Head Bearing Removal	115
7.8.5	Sickle Head Bearing Installation	115

TABLE OF CONTENTS

7.8.6	Spare Sickle.....	116
7.8.7	Sickle Guards	116
7.8.8	Sickle Hold-Downs.....	121
7.8.9	Sickle Drive Belt – A30-S.....	123
7.8.10	Sickle Drive Belts – A30-D.....	125
7.8.11	Sickle Drive Belts – A40-D.....	130
7.8.12	Sickle Drive Timing Adjustment.....	134
7.8.13	Wobble Box	136
7.9	REEL AND REEL DRIVE - A30-S, A30-D.....	139
7.9.1	Reel Drive Chain - A30-S, A30-D	139
7.9.2	Reel Drive Belts - A30-S, A30-D	140
7.9.3	Reel Tines and Tine Bar Bearings - A30-S, A30-D	141
7.10	REEL AND REEL DRIVE – A40-D	143
7.10.1	Reel Drive – A40-D.....	143
7.10.2	Reel Tines and Tine Bar Bearings, A40-D	143
7.11	AUGER AND AUGER DRIVE - A30-S, A30-D	148
7.11.1	Auger Drive Chain - A30-S	148
7.11.2	Auger Drive Chain - A30-D	149
7.11.3	Auger Drive Belts - A30-S.....	150
7.11.4	Auger Drive Belts - A30-D	151
7.11.5	Auger Pans	152
7.11.6	Rubber Fingers	152
7.11.7	Stripper Bars.....	152
7.12	AUGER AND AUGER DRIVE - A40-D	153
7.13	CONDITIONER.....	154
7.13.1	Hydraulic Drive Motor Removal – All Models	154
7.13.2	Hydraulic Drive Motor Installation – All Models	154
7.13.3	Gearbox Removal - A30-S.....	154
7.13.4	Gearbox Installation - A30-S	156
7.13.5	Gearbox Removal – A30-D	158
7.13.6	Gearbox Installation – A30-D	160
7.13.7	Gearbox Removal – A40-D	162
7.13.8	Gearbox Installation – A40-D	163
7.13.9	Changing Gearbox Oil.....	164
7.14	WHEELS, TIRES, AND HITCH – PULL-TYPE.....	165
7.14.1	Wheel Bolts.....	165
7.14.2	Wheel Removal	165
7.14.3	Wheel Installation	165
7.14.4	Tire Inflation	166
7.15	SKID SHOE WEAR PLATE REPLACEMENT	166
7.16	ELECTRICAL.....	166
7.17	MAINTENANCE SCHEDULE	167
7.17.1	Self-Propelled	167
7.17.2	Pull-Type Mower Conditioner	169
8	TROUBLESHOOTING.....	171
8.1	WINDROWER PERFORMANCE	171
8.2	MECHANICAL	174
9	OPTIONS AND ATTACHMENTS	176
9.1	HYDRAULIC HEADER ANGLE KITS - PULL-TYPE.....	176
9.2	ADDITIONAL SKID SHOES	176
9.3	GAUGE ROLLER KIT	176
9.4	REPLACEMENT REEL BAT KITS - A30-S, A30-D.....	176
9.5	STUB GUARD CONVERSION KIT	176
9.6	TALL CROP DIVIDER KIT.....	176
10	UNLOADING AND ASSEMBLY.....	177
INDEX	178

SAFETY

2 SAFETY

2.1 SAFETY ALERT SYMBOL



This safety alert symbol indicates important safety messages in this manual and on safety signs on the machine.

This symbol means:

**ATTENTION!
BECOME ALERT!
YOUR SAFETY IS INVOLVED!**

Carefully read and follow the safety message accompanying this symbol.

WHY IS SAFETY IMPORTANT TO YOU?

ACCIDENTS DISABLE AND KILL
ACCIDENTS COST
ACCIDENTS CAN BE AVOIDED

2.2 SIGNAL WORDS

Note the use of the signal words DANGER, WARNING, and CAUTION with safety messages. The appropriate signal word for each message has been selected using the following guidelines:



DANGER

Indicates an imminently hazardous situation that, if not avoided, will result in death or serious injury.



WARNING

Indicates a potentially hazardous situation that, if not avoided, could result in death or serious injury. It is also used to alert against unsafe practices.



CAUTION

Indicates a potentially hazardous situation that, if not avoided, may result in minor or moderate injury. It is also used as a reminder of good safety practices.

2.3 SAFETY SIGNS

- The safety signs appear on the header/mower conditioner at the locations shown on pages 4 to 7.
- Keep safety signs clean and legible at all times.
- Replace safety signs that are missing or become illegible.
- If original parts on which a safety sign was installed are replaced, be sure the repair part also bears the current safety sign.
- Safety signs are available from your Dealer Parts Department.

2.3.1 Safety Sign Installation

- a. Be sure the installation area is clean and dry.
- b. Decide on the exact location before you remove the decal backing paper.
- c. Remove the smaller portion of the split backing paper.
- d. Place the sign in position and slowly peel back the remaining paper, smoothing the sign as it is applied.
- e. Small air pockets can be smoothed out or pricked with a pin.

SAFETY

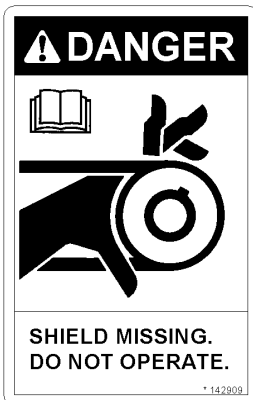
2.3.2 3-Panel Safety Sign Locations - Pull-Type



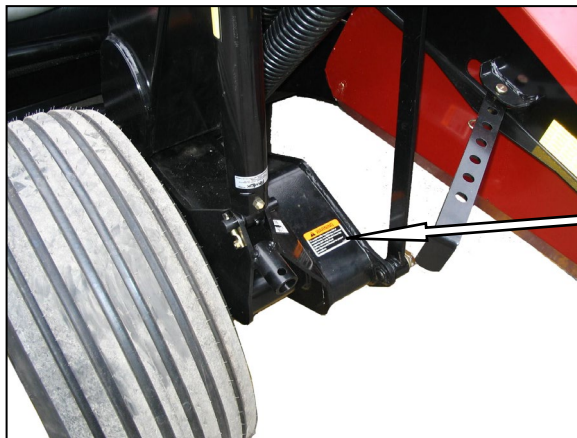
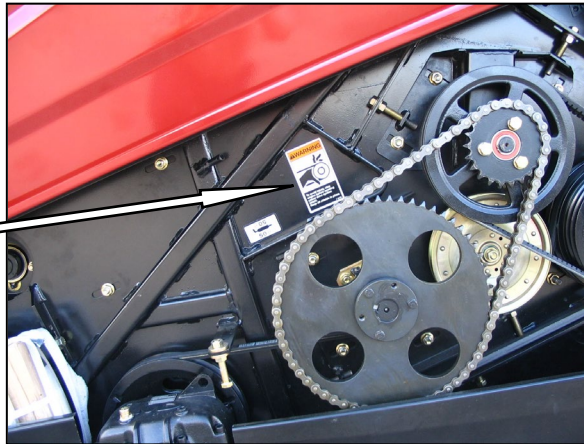
#170281



#36651 - DRIVELINES



#142909 - BOTH ENDS



#140311 - BOTH SIDES

SAFETY

3-Panel Safety Sign Locations - Pull-Type (cont'd)

⚠ WARNING

To avoid bodily injury from contact with hot oil, do not remove dipstick when system is hot.
See Operator's Manual for proper venting procedure when system is cold.

#115100 - BOTH SIDES

⚠ CAUTION

To avoid injury or death from improper or unsafe machine operation:

1. Read the Operator's Manual, and follow all safety instructions. If you do not have a manual, obtain one from your dealer.
2. Do not allow untrained persons to operate the machine.
3. Review safety instructions with all operators annually.
4. Ensure that all safety signs are installed and legible.
5. Make certain everyone is clear of machine before starting engine and during operation.
6. Keep riders off the machine.
7. Keep all shields in place, and stay clear of moving parts.
8. Disengage header drive, put transmission in neutral and wait for all movement to stop before leaving operator's position.
9. Shut off engine and remove key from ignition before servicing, adjusting, lubricating, cleaning, or unplugging machine.
10. Engage locks to prevent lowering of header or reel before servicing in the raised position.
11. Use slow moving vehicle emblem and flashing warning lights when operating on roadways unless prohibited by law.

#109843

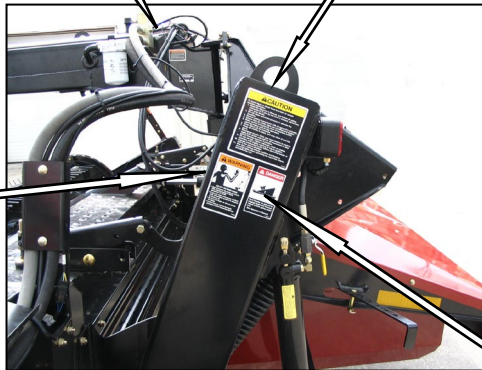
⚠ WARNING



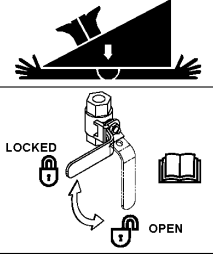
DO NOT GO NEAR LEAKS

- High pressure oil easily punctures skin causing serious injury, gangrene or death.
- If injured, seek emergency medical help. Immediate surgery is required to remove oil.
- Do not use finger or skin to check for leaks.
- Lower load or relieve hydraulic pressure before loosening fittings.

#44944



⚠ DANGER

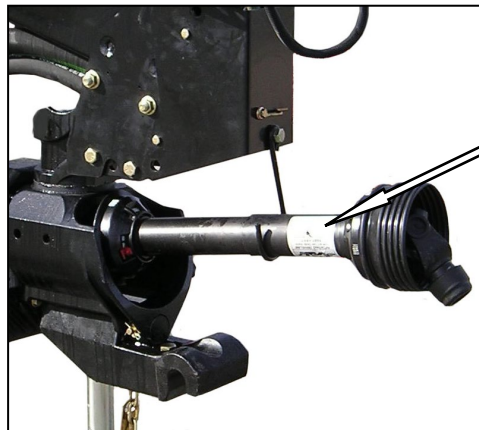


LOCKED

OPEN

Rest header on ground or engage hydraulic lockout valves before going under unit. See Operator's Manual

#171029



⚠ DANGER



ROTATING DRIVELINE
CONTACT CAN CAUSE DEATH
KEEP AWAY!

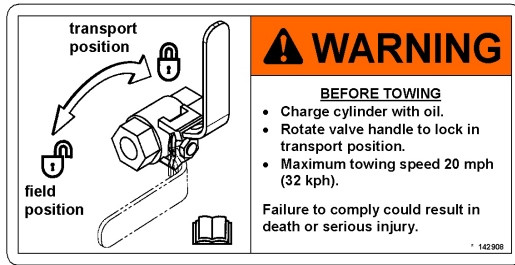
DO NOT OPERATE WITHOUT —

- ALL DRIVELINE, TRACTOR AND EQUIPMENT SHIELDS IN PLACE
- DRIVELINES SECURELY ATTACHED AT BOTH ENDS
- DRIVELINE SHIELDS THAT TURN FREELY ON DRIVELINE

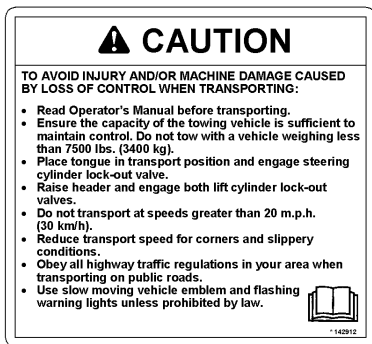
#30316

SAFETY

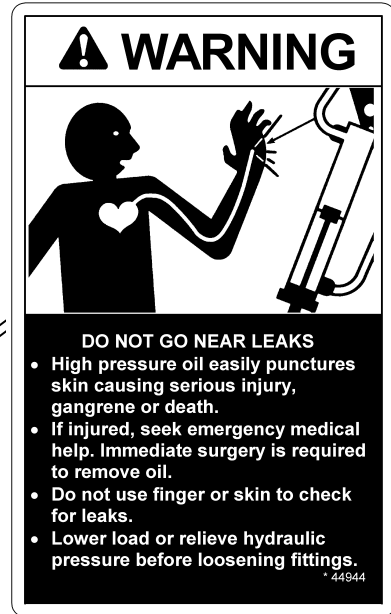
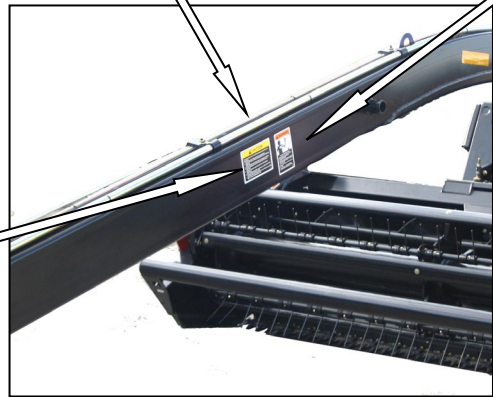
3-Panel Safety Sign Locations - Pull-Type (cont'd)



#142908 - BACK-SIDE



#142912



#44944



#28403 - BOTH ENDS



#115148



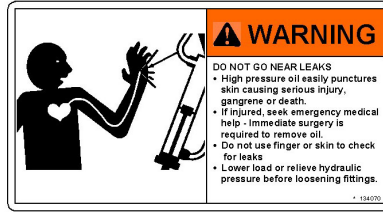
#32738 - BOTH ENDS

SAFETY

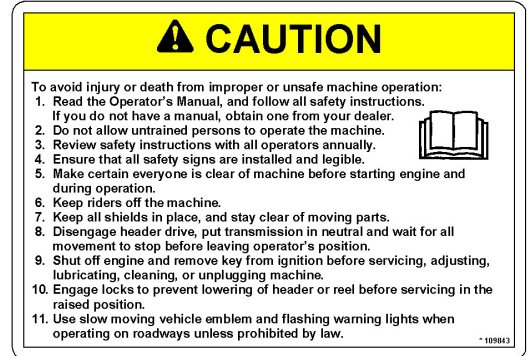
2.3.3 3-Panel Safety Sign Locations - Self-Propelled



#170281



#134070



#109843



#36651 - DRIVELINES



#142909
BOTH ENDS

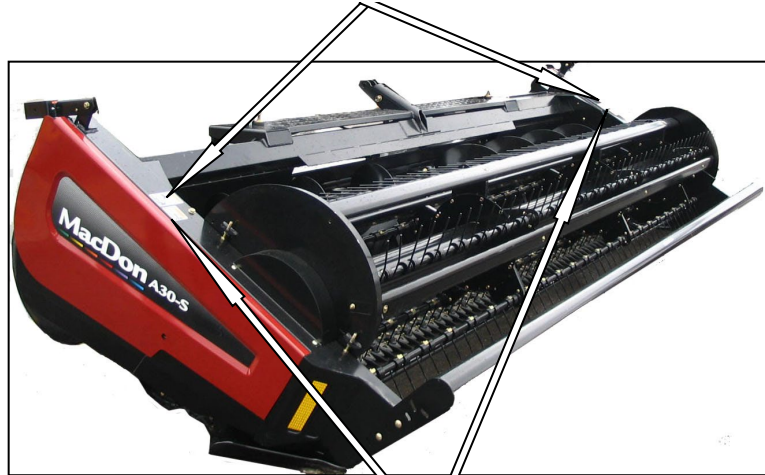


SAFETY

3-Panel Safety Sign Locations - Self-Propelled



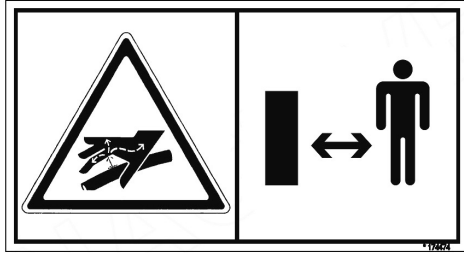
#32738



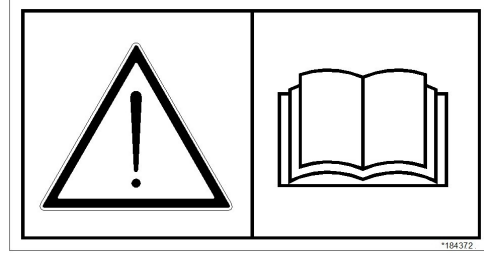
#28403

SAFETY

2.3.4 2-Panel Safety Sign Locations - Self-Propelled



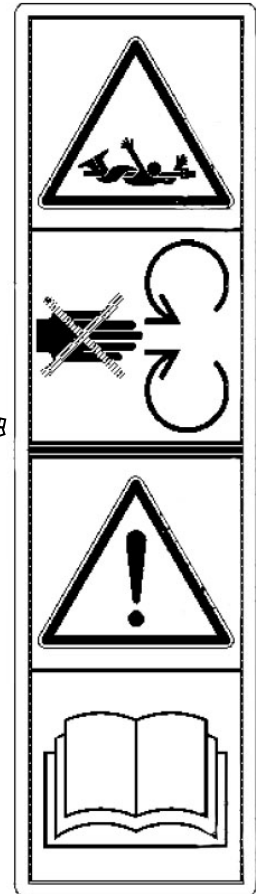
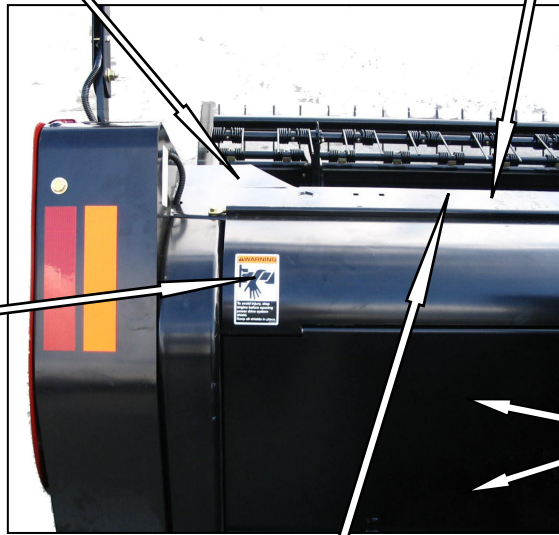
#174474



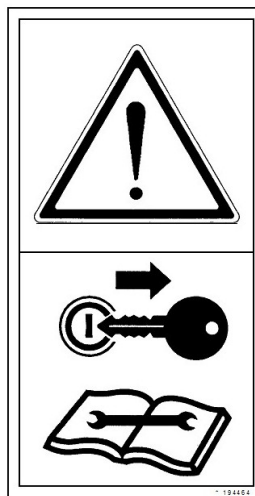
#184372



#184385



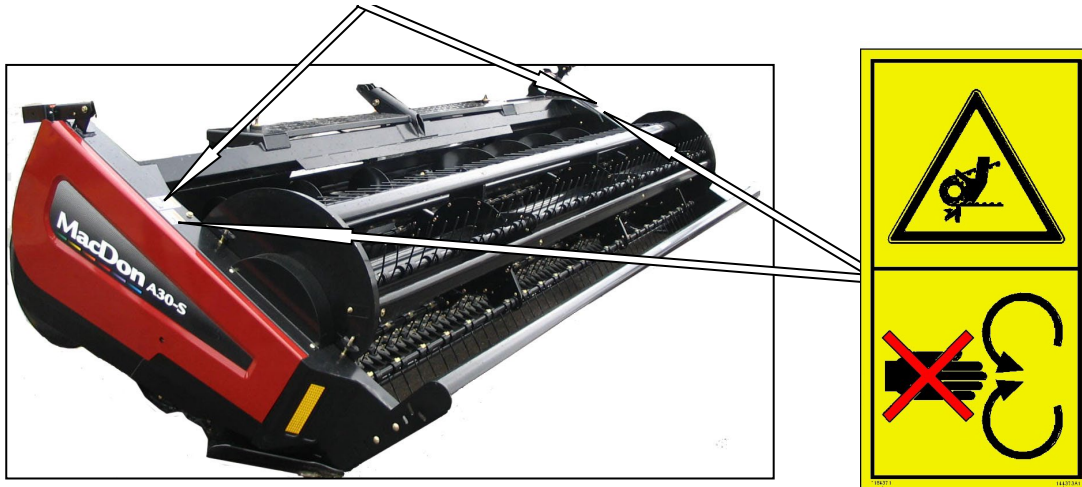
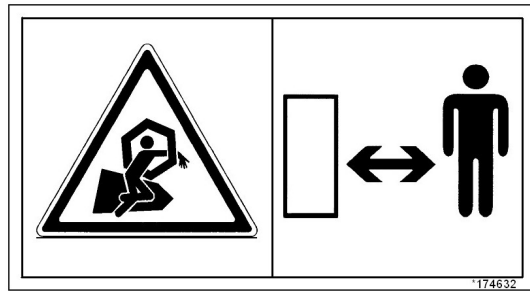
#194521
DRIVELINES



#194464

SAFETY

2-Panel Safety Sign Locations - Self-Propelled (Cont'd)



#184371 - BOTH ENDS

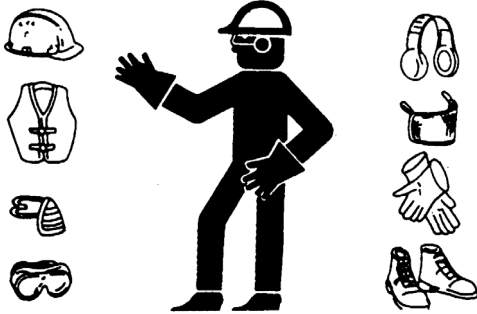
SAFETY

2.4 GENERAL SAFETY

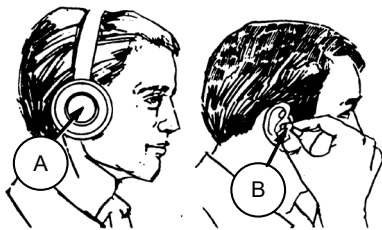


CAUTION

- The following are general farm safety precautions that should be part of your operating procedure for all types of machinery.
- Protect yourself.



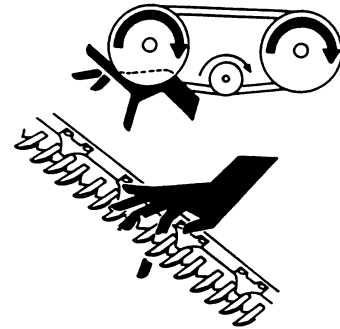
- When assembling, operating and servicing machinery, wear all the protective clothing and personal safety devices that **COULD** be necessary for the job at hand. Don't take chances.
- You may need:
 - a hard hat.
 - protective shoes with slip resistant soles.
 - protective glasses or goggles.
 - heavy gloves.
 - wet weather gear.
 - respirator or filter mask.
 - hearing protection. Be aware that prolonged exposure to loud noise can cause impairment or loss of hearing. Wearing a suitable hearing protective device such as ear muffs (A) or ear plugs (B) protects against objectionable or loud noises.



- Provide a first-aid kit for use in case of emergencies.



- Keep a fire extinguisher on the machine. Be sure the extinguisher is properly maintained and be familiar with its proper use.
- Keep young children away from machinery at all times.
- Be aware that accidents often happen when the operator is tired or in a hurry to get finished. Take the time to consider the safest way. Never ignore warning signs of fatigue.
- Wear close-fitting clothing and cover long hair. Never wear dangling items such as scarves or bracelets.
- Keep hands, feet, clothing and hair away from moving parts. Never attempt to clear obstructions or objects from a machine while the engine is running.



- Keep all shields in place. Never alter or remove safety equipment. Make sure driveline guards can rotate independently of the shaft and can telescope freely.

SAFETY

GENERAL SAFETY (Cont'd):

- Use only service and repair parts made or approved by the equipment manufacturer. Substituted parts may not meet strength, design, or safety requirements.
- Do not modify the machine. Unauthorized modifications may impair the function and/or safety and affect machine life.
- Stop engine and remove key from ignition before leaving operator's seat for any reason. A child or even a pet could engage an idling machine.
- Keep the area used for servicing machinery clean and dry. Wet or oily floors are slippery. Wet spots can be dangerous when working with electrical equipment. Be sure all electrical outlets and tools are properly grounded.
- Use adequate light for the job at hand.
- Keep machinery clean. Do not allow oil or grease to accumulate on service platforms, ladders or controls. Clean machines before storage.
- Never use gasoline, naphtha or any volatile material for cleaning purposes. These materials may be toxic and/or flammable.
- When storing machinery, cover sharp or extending components to prevent injury from accidental contact.



3 DEFINITIONS

3.1 ACRONYMS AND ABBREVIATIONS

TERM	DEFINITION
API	American Petroleum Institute
APT	Articulating Power Tongue
ASTM	American Society Of Testing And Materials
C	Celsius
F	Fahrenheit
ft/min	feet per minute
ft/s	feet per second
gpm	U.S. gallons per minute
hp	horsepower
in. ³	cubic inches
kPa	kilopascals
lbf	pounds force
lbf-ft or ft·lbf	pound feet or foot pounds
lbf·in. or in·lbf	pound inches or inch pounds
MPa	megapascals
mph	miles per hour
N	newtons
N·m	newton meters
oz.	ounces
psi	pounds per square inch
PTO	Power Take-Off
rpm	Revolutions Per Minute
SAE	Society Of Automotive Engineers

3.2 TERMS

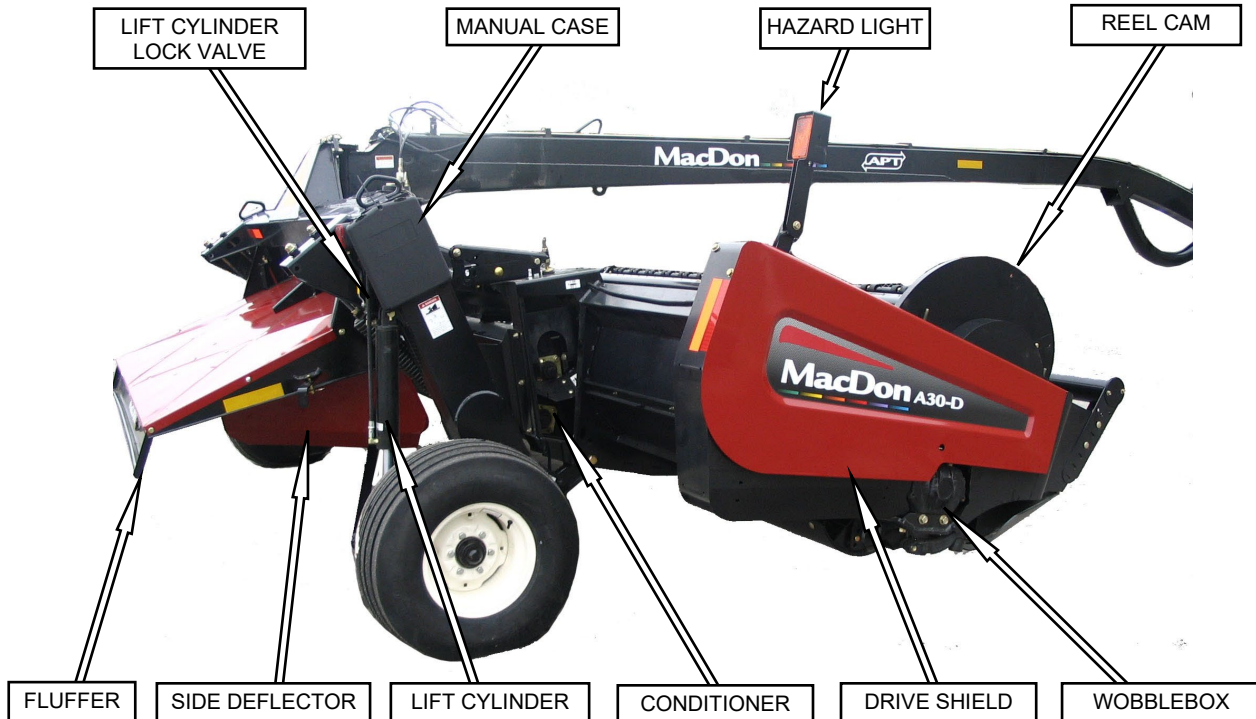
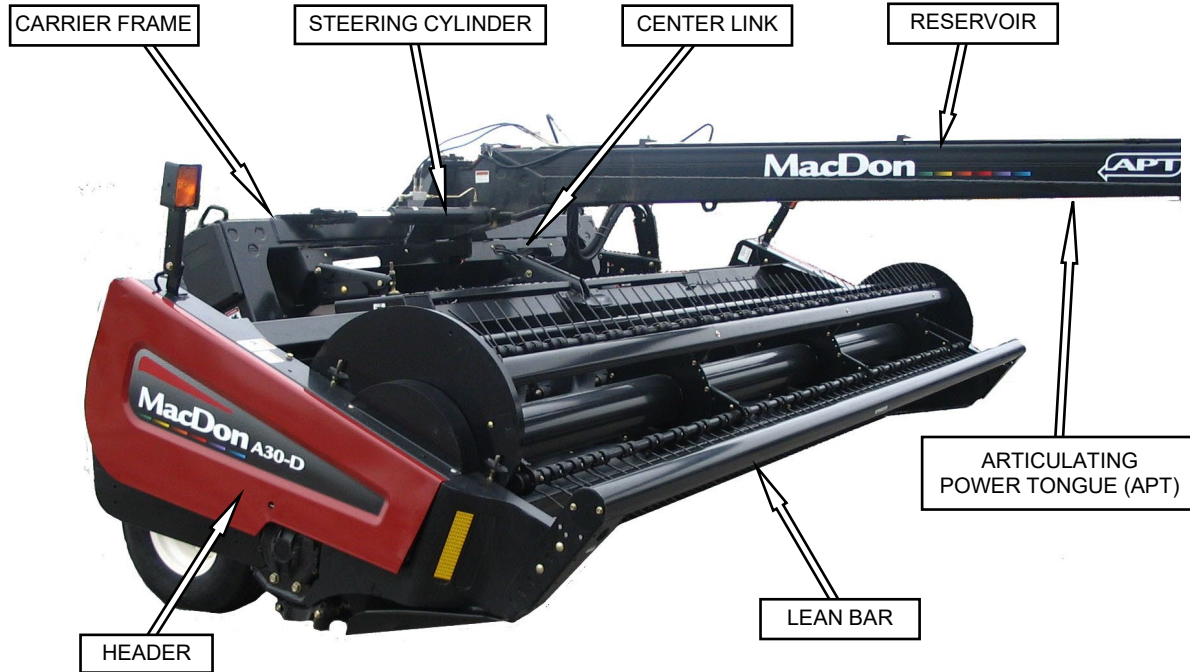
The following terms are used in this manual:

TERM	DEFINITION
Cab-Forward	Windrower operation with the operator and cab facing in the direction of travel.
Center Link	A hydraulic cylinder or turnbuckle type link between the header and the machine that tilts the header.
Engine-Forward	Windrower operation with the operator and engine facing in the direction of travel.
Header or Auger Header	A machine that cuts and conditions hay, and is attached to a windrower.
Mower Conditioner	A machine that cuts and conditions hay, and is pulled by an ag tractor.
Self-propelled Windrower	Self-propelled machine consisting of a power unit with a header and conditioner.
Sickle or Knife	A cutting device which uses a reciprocating cutter.
Tractor	Ag type tractor.
Truck	A four-wheel highway/road vehicle weighing no less than 7500 lb (3400 kg).
Windrower	Power unit of a self-propelled auger header.

COMPONENTS

4 COMPONENT IDENTIFICATION

4.1 PULL-TYPE



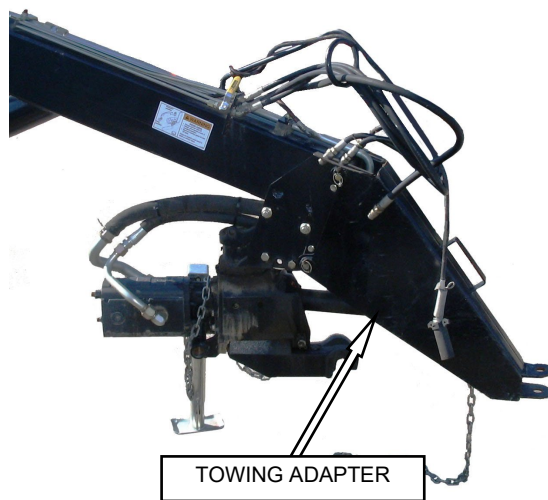
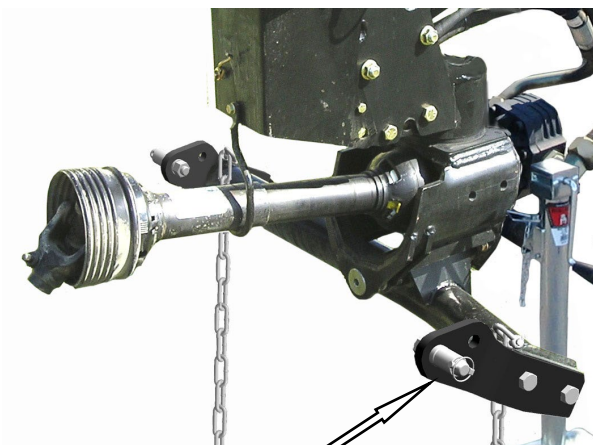
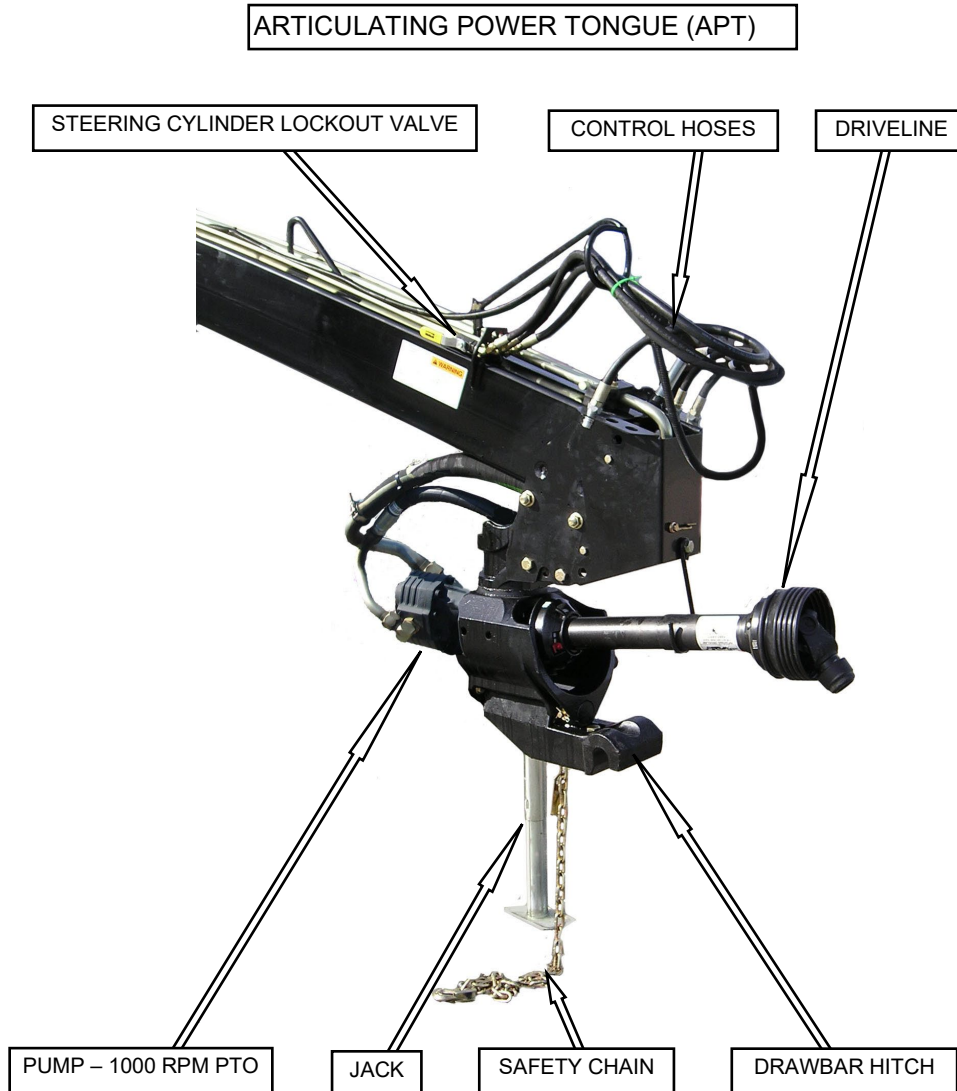
COMPONENTS

PULL-TYPE (Cont'd)



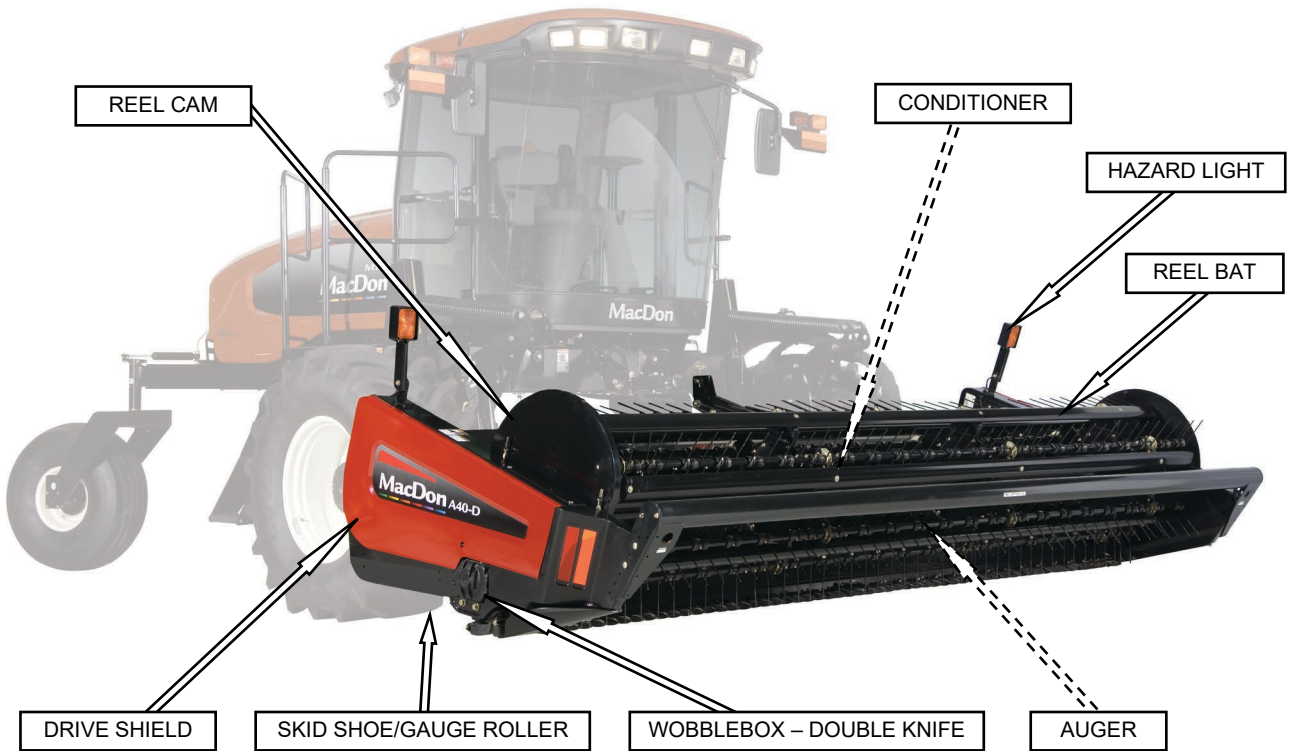
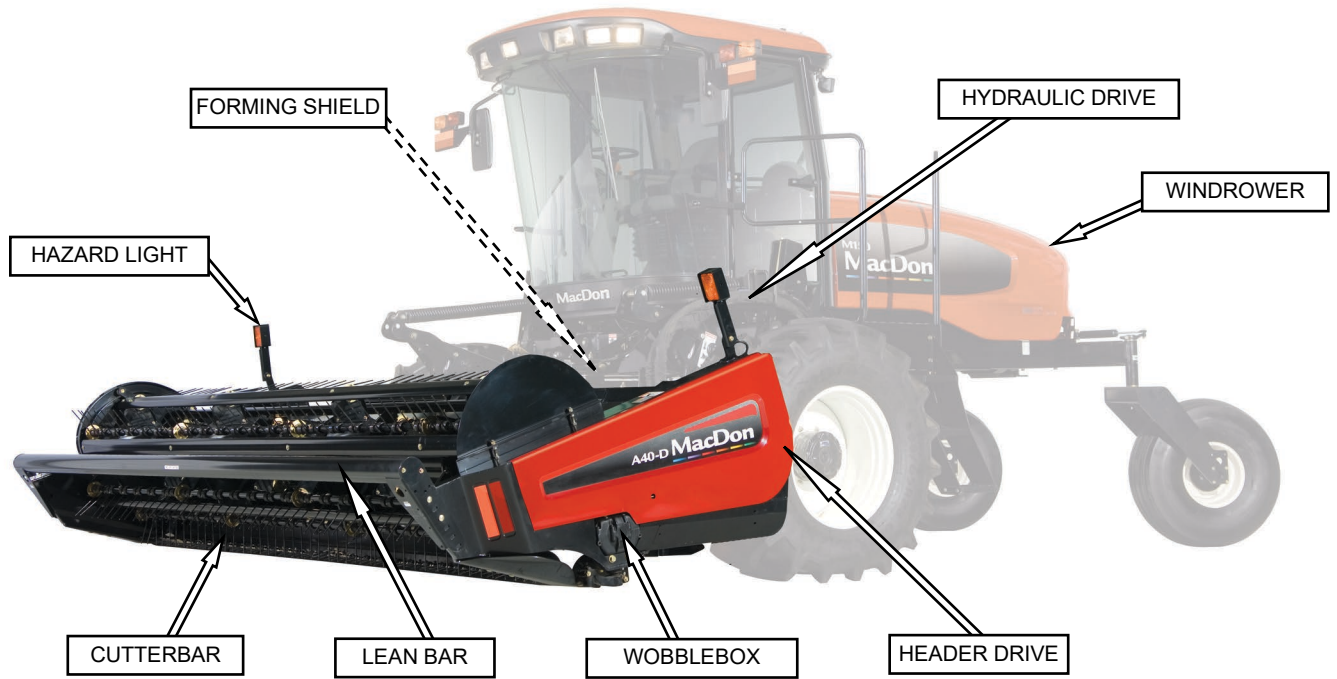
COMPONENTS

PULL-TYPE (Cont'd)



COMPONENTS

4.2 SELF-PROPELLED



SPECIFICATIONS

5 SPECIFICATIONS

5.1 PULL-TYPE HEADERS

HEADER SIZE		14 FT		16 FT		18 FT
HEADER MODEL		A30-S	A30-D	A30-S	A30-D	A30-D
FRAME & STRUCTURE						
Width		16 ft-3 in. (4953 mm)	n/a	17 ft-9 in. (5410 mm)		19 ft-3 in. (5867 mm)
Length	Transport	26 ft-7 in. (8130 mm)				
	Field	26 ft-7 in. (8130 mm)				
Height	Transport	86 in. (2184 mm)				
	Field	86 in. (2184 mm)				
Approx. Weight [lb (kg)]		7200 (3269)	n/a	7400 (3360)	8000 (3632)	8200 (3723)
Carrier		Pull-Type				
Lighting		Two Amber and Two Red Transport Lights				
Spare Knife Storage		Frame Tube	Lean Bar	Frame Tube	Lean Bar	
Reversing Wrench/Guard Straightening Tool		Stored Inside LH End Sheet				
Manual Storage		Frame Mounted Case				
WHEELS						
Tires		31 x 13.5 – 15 NHS 8 Ply Terra-Rib				
Tread Width		150 in. (3810 mm)				
Pressure		30 psi (207 kPa)				
CUTTERBAR						
Effective Cutting Width		14 ft-9 in. (4496 mm)		16 ft-3 in. (4953 mm)		17 ft-9 in. (5410 mm)
Cutting Height		4 in. (100 mm) Below Ground To 21 in. (533 mm) Above Ground				
Guard Angle Adjustment		8° – 16°				
MAIN DRIVE						
Hydraulic		Tractor PTO Driven Piston Pump 540 or 1000 rpm				
HEADER DRIVE						
Hydraulic		M44 (44 cc) Motor To Gearbox				
SICKLE						
Drive Type	Type	Belt Driven Heavy Duty (MD) Wobble Box (Enclosed Oil Bath)				
	Qty	One	Two	One	Two	
Sickle Speed (Strokes Per Minute)	No Load	1970	1980	1970	1980	
	Load	1510	1910			
Stroke		3 in. (76 mm)				
Sections		Bolted Over-Serrated, 9 Serrations/Inch.				
Guards		Forged And Double Heat-Treated				

SPECIFICATIONS

PULL-TYPE HEADERS (Cont'd)

HEADER SIZE			14 FT		16 FT		18 FT
HEADER MODEL			A30-S	A30-D	A30-S	A30-D	A30-D
AUGER							
Drive	Mechanical		2 Belts To Chain				
Size	Tube		10 in. (254 mm) O.D.				
	Flighting		20 in. (508 mm) O.D., 0.25 in. (6 mm) thick.				
Type			Undershot, Centre Feed. Rubber Finger Feed				
Stripper Bars			3 Per Side				
Speed (rpm)	20T Sprocket	No Load	265	275	265	275	
		Load	256	265	256	265	
	19T Sprocket	No Load	252	261	252	261	
		Load	243	252	243	252	
Delivery Opening			95.7 in. (2430 mm)				
REEL							
Drive	Mechanical		2 Belts From Auger To Chain Final Drive				
Type	Bats		5 Bat (6 Bat Optional)				
	Tines		Steel - 0.25 in. (6 mm) Dia.				
Tine Bar Bearings			Replaceable Polyethylene				
Radius (to tine tip)			22 in. (540 mm)				
Speed (rpm)	20T Sprocket	20T Auger	No Load	71	74	71	74
			Load	69	71	69	71
		19T Auger	No Load	68	70	68	70
			Load	65	68	65	68
	19T Sprocket	20T Auger	No Load	68	70	68	70
			Load	65	68	65	68
		19T Auger	No Load	64	67	64	67
			Load	62	64	62	64
CONDITIONER							
Drive	Hydraulic		M44 (44cc) Motor To Enclosed Oil-Bath Gearbox				
Roll Type			Intermeshing Steel Bars				
Roll Diameter	Bars		9.17 in. (233 mm) O.D.				
	Tube		6.63 in. (168 mm) O.D.				
Roll Length			102 in. (2590 mm)				
Roll Speed (rpm)			No Load – 824 Load – 795				
Swath Width			36 in. (915 mm) To 92 in. (2340 mm)				
Unplugging Assist			Rolls Open As Header Lifts. Rolls Can Open To 4.25 in. (108 mm) During Operation				
Forming Shields			Header Mounted Adjustable Baffle And Side Deflector System For 36 in. (915 mm) To 100 in. (2540 mm) Swath Width				
OPERATING SPEED							
Recommended Cutting			5 mph (8 km/hr)				
Recommended Transport			20 mph (30 km/hr)				
TRACTOR REQUIREMENTS							
Power (minimum)			90 HP (68 kW)		110 HP (83 kW)		130HP (98 kW)
Hydraulics			2000 psi (13,714 kPa)				

NOTES: 1. Specifications and design are subject to change without notice or obligation to revise previously sold units.

SPECIFICATIONS

5.2 SELF-PROPELLED HEADERS

HEADER SIZE		14 FT			16 FT			18 FT	
HEADER MODEL		A30-S	A30-D	A40-D	A30-S	A30-D	A40-D	A30-D	A40-D
FRAME & STRUCTURE									
Width		16 ft-3 in. (4953 mm)			17 ft-9 in. (5410 mm)			19 ft-3 in. (5867 mm)	
Weight [lb (kg)]		n/a	n/a	5680 (2579)	n/a	n/a	5850 (2656)	n/a	6020 (2733)
Carrier		MacDon M Series Self-Propelled Windrowers							
Lighting		Two Amber Transport Lights							
Spare Knife Storage		Frame Tube	Lean Bar		Frame Tube	Lean Bar		Lean Bar	
Reversing Wrench/Guard Straightening Tool		Stored Inside LH End Sheet							
Manual Storage		Windrower Cab							
CUTTERBAR									
Effective Cutting Width		14 ft-9 in. (4496 mm)			16 ft-3 in. (4953 mm)			17 ft-9 in. (5410 mm)	
Cutting Height		5.9 in. (150 mm) Below Ground To 35.4 in. (900 mm) Above Ground							
Guard Angle Adjustment		7° – 17.5°							
HEADER DRIVE									
		A30		Hydraulic From Windrower Pump to One Piston Motor					
		A40		Hydraulic From Windrower Pump to One Piston Motor and Two Gear Motors					
SICKLE									
Belt Driven Heavy Duty (MD) Wobble Box (Enclosed Oil Bath)		Belt Type		V	Timing		V	Timing	
		Qty		One	Two		One	Two	
Sickle Speed (Strokes Per Minute)		1540	1450-1950		1540	1450-1950			
Stroke		3 in. (76 mm)							
Sections		Bolted Over-Serrated, 14 Serrations/Inch. (9 Serrations/Inch Optional)							
Guards		Forged And Double Heat-Treated							
AUGER									
Drive		Hydraulic Direct Mounted Motor		--	15.9 in ³ (261 cc) /rev	--	15.9 in ³ (261 cc) /rev	--	15.9 in ³ (261 cc) /rev
		Mechanical		2 Belts To Chain		--	2 Belts To Chain		--
Max Speed (rpm)		20T Sprocket		260	270	230-320*	260	270	270
		19T Sprocket		250	260		250	260	260
Size		Tube		10 in. (254 mm) O.D.					
		Flighting		20 in. (508 mm) O.D., 0.25 in. (6 mm) thick.					
Type		Undershot, Centre Feed. Rubber Finger Feed							
Stripper Bars		3 Per Side							
Delivery Opening		95.7 in. (2430 mm)							

* Max Speed on M100 Windrower

SPECIFICATIONS

SELF-PROPELLED HEADERS (Cont'd)

HEADER SIZE			14 FT			16 FT			18 FT	
HEADER MODEL			A30-S	A30-D	A40-D	A30-S	A30-D	A40-D	A30-D	A40-D
REEL										
Drive	Hydraulic Direct Mounted Motor		--	14.2 in ³ (232 cc) /rev	--	14.2 in ³ (232 cc) /rev	--	14.2 in ³ (232 cc) /rev	--	14.2 in ³ (232 cc) /rev
	Mechanical From Auger		2 Belts/Chain Final Drive	--	2 Belts/Chain Final Drive	--	2 Belts/Chain Final Drive	--	2 Belts/Chain Final Drive	--
Type			5 Bat (6 Bat Opt)	6 Bat (7 Opt)	5 Bat (6 Opt)	6 Bat (7 Opt)	5 Bat (6 Opt)	6 Bat (7 Opt)	5 Bat (6 Opt)	6 Bat (7 Opt)
Tines			Steel - 0.25 in. (6 mm) Dia.							
Tine Bar Bearings			Replaceable Polyethylene	Greasable Ball	Replaceable Polyethylene	Greasable Ball	Replaceable Polyethylene	Greasable Ball	Replaceable Polyethylene	Greasable Ball
Radius (to tine tip)			22 in. (540 mm)							
Max Speed (rpm)	22T Sprocket	22T Auger	77	15-85*	77	15-85*	73	15-85*		
		19T Auger	67		67		69			
	19T Sprocket	22T Auger	67		67		69			
		19T Auger	58		58		66			
CONDITIONER										
Drive		Hydraulic	M44 (44cc) Motor To Enclosed Oil-Bath Gearbox							
Roll Type			Intermeshing Steel Bars							
Roll Diameter		Bars	9.17 in. (233 mm) O.D.							
		Tube	6.63 in. (168 mm) O.D.							
Roll Length			102 in. (2590 mm)							
Roll Speed (rpm)			810	601-810	810	601-810	810	601-810	810	601-810
Unplugging Assist			Reversing Flow To Hydraulic Motors							
Forming Shields			Windrower Mounted Side Deflector System For 36 in. (915 mm) To 100 in. (2540 mm) Swath Width.							
OPERATING SPEED										
Recommended Cutting			5 mph (8 km/hr)							

* 50-85 rpm for M100.

NOTES: 1. Specifications and design are subject to change without notice or obligation to revise previously sold units.

6 OPERATION

6.1 OWNER/OPERATOR RESPONSIBILITIES



CAUTION

- It is your responsibility to read and understand this manual completely before operating the header/mower conditioner. Contact your dealer if an instruction is not clear to you.
- Follow all safety messages in the manual and on safety signs on the machine.
- Remember that YOU are the key to safety. Good safety practices protect you and the people around you.
- Before allowing anyone to operate the header/mower conditioner, for however short a time or distance, make sure they have been instructed in its safe and proper use.
- Review the manual and all safety related items with all operators annually.
- Be alert for other operators not using recommended procedures or not following safety precautions. Correct these mistakes immediately, before an accident occurs.
- Do not modify the machine. Unauthorized modifications may impair the function and/or safety and affect machine life.
- The safety information given in this manual does not replace safety codes, insurance needs, or laws governing your area. Be sure your machine meets the standards set by these regulations.
- Ensure that the tractor is properly equipped to safely operate the mower conditioner. This may include adding ballast according to Tractor Operator's Manual requirements for attachments of this size and mass.

6.2 OPERATIONAL SAFETY



CAUTION

- Follow all safety and operational instructions given in your tractor/windrower Operator's Manual. If you do not have a tractor/windrower manual, get one from your dealer and read it thoroughly.

- Never attempt to start the tractor/windrower engine or operate the machine except from the tractor/windrower seat.
- Check the operation of all controls in a safe clear area before starting work.
- Do not allow riders on tractor/windrower or mower conditioner.
- Never start or move the machine until you are sure all bystanders have cleared the area.
- Avoid travelling over loose fill, rocks, ditches or holes.
- Drive slowly through gates and doorways.
- If cutting ditch banks, use extreme caution. If the header/mower conditioner hits an obstruction, the front of the tractor will usually swerve towards the ditch.
- When working on inclines, travel uphill or downhill when possible. Be sure to keep tractor transmission in gear when travelling downhill.
- Never attempt to get on or off a moving tractor/windrower.
- Do not get off the tractor/windrower while the machine is in operation.
- Stop tractor/windrower engine and remove key before adjusting or removing plugged material from the machine. A child or even a pet could engage the drive.
- Check for excessive vibration and unusual noises. If there is any indication of trouble, shut down and inspect the machine. Follow proper shutdown procedure:
 - engage tractor/windrower brake.
 - disengage PTO.
 - turn off engine and remove key
 - wait for all movement to stop
 - dismount and engage cylinder stops before inspecting raised machine.
- Operate only in daylight or good artificial light.

OPERATION

6.3 TRACTOR SETUP – PULL-TYPE

6.3.1 Tractor Requirements

HEADER WIDTH	MIN POWER HP (kW)	MINIMUM DRAWBAR CAPACITY lbf (N)	MINIMUM HYDRAULICS psi (MPa)
14 FT	90 (68)	1400 (6227)	2000 (13.7)
16 FT	110 (83)	1450 (6449)	
18 FT	130 (98)	1500 (6672)	

NOTE

Tractor must be equipped with a seven terminal outlet to supply power to the mower conditioner's warning lights.

6.3.2 Drawbar Adjustment

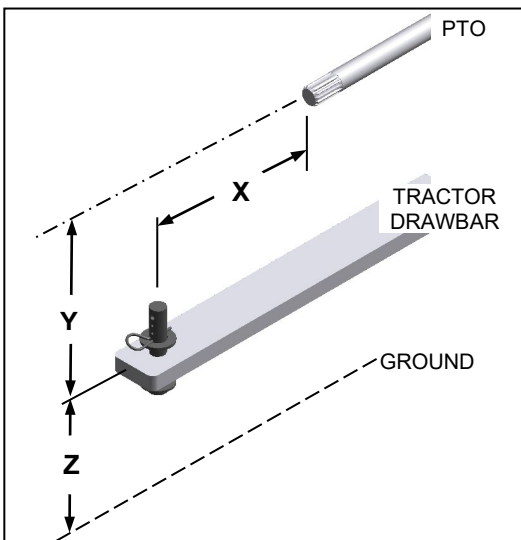


CAUTION

Shut off tractor, engage parking brake and remove key before working around hitch.

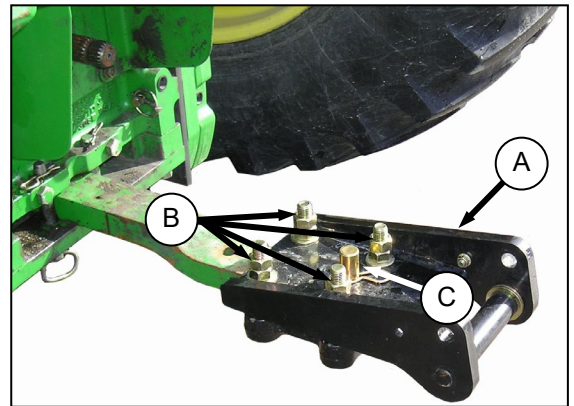
Adjust tractor drawbar to meet ASAE Standard specifications as listed below.

DIMENSION	1000 RPM PTO	
	1.37 IN. DIA.	1.75 IN. DIA.
X	16 in. (406 mm)	20 in. (508 mm)
Y	6-12 in. (152-305 mm) 8 in. (203 mm) Recommended	
Z	13-17 in. (330-432 mm) 16 in. (406 mm) Recommended	

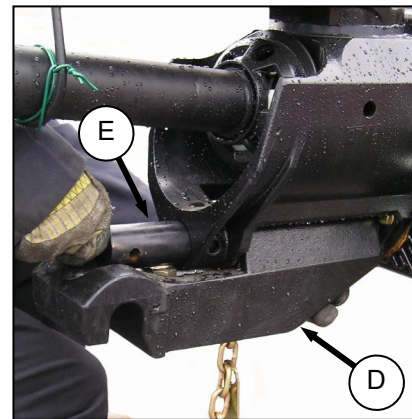


6.3.3 Drawbar Hitch Set-Up

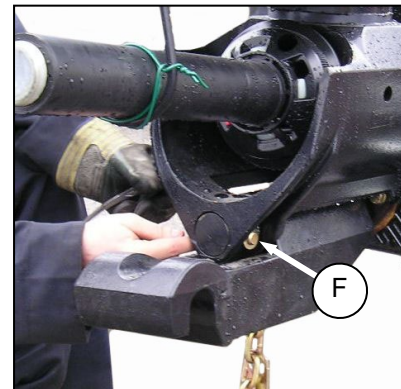
- Secure the tractor drawbar so the hitch-pin hole is directly below the driveline.



- Loosen bolts (B) on extension assembly (A) and slide onto drawbar.
- Install pin (C) through drawbar and extension from underside and secure with hairpin.
- Gradually tighten the four bolts to 265 ft-lbf (359 N-m).



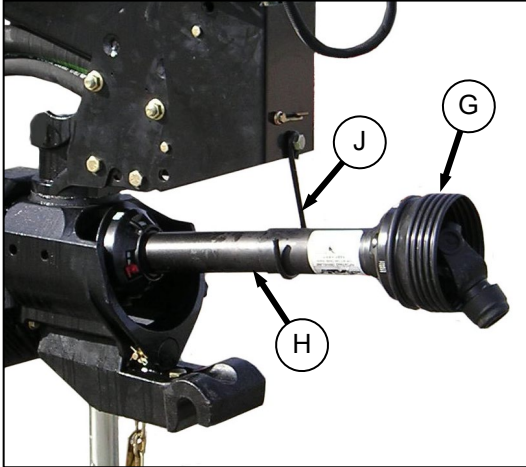
- Attach the swivel APT member (D) with pin (E) onto the APT.



- Secure pin with clevis pin (F), washers, and cotter pin.

(continued next page)

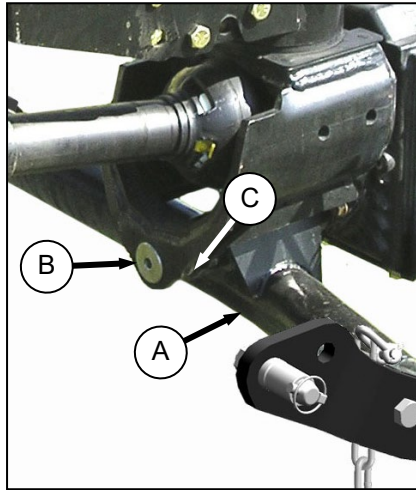
OPERATION



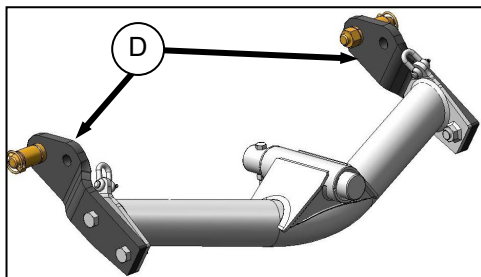
- g. Assemble PTO driveline male half (G) onto PTO shaft (H) on APT. Push male half so that PTO shaft is at its fully compressed length.
- h. Locate PTO shaft in hook (J).

OPERATION

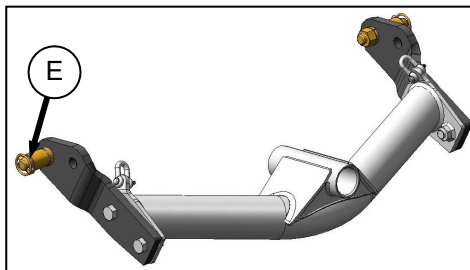
6.3.4 3 Point Hitch (Cat. II, III, or IIIN) Set-Up



- Attach the 3 point hitch yoke (A) to the APT with pin (B). The installation is similar to that described in the previous section.
- Secure pin (B) with clevis pin (C), washers, and cotter pin.
- The arms (D) on APT yoke can be set up to suit the tractor hitch arms:

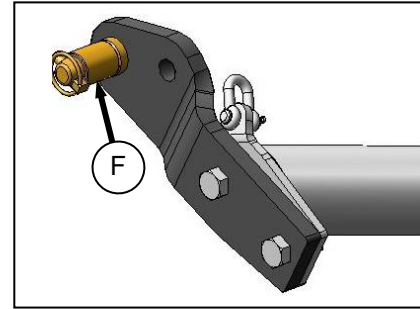


CATEGORY II or IIIN



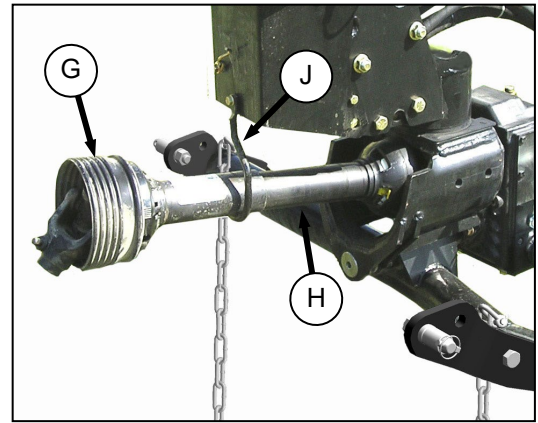
CATEGORY III

- Remove pins (E) from arms.
- Remove arms (D) from APT yoke.
- Re-install arms on opposite ends of yoke as shown.
- Re-install pins (E) in arms.



NOTE

Bushings (F) on pins can be removed to suit hole size in tractor hitch arms.



- Assemble PTO driveline male half (G) onto PTO shaft (H) on APT. Push male half so that PTO shaft is at its fully compressed length.
- Locate PTO shaft in hook (J).

OPERATION

6.4 MOWER CONDITIONER/ TRACTOR HOOKUP – PULL-TYPE



CAUTION

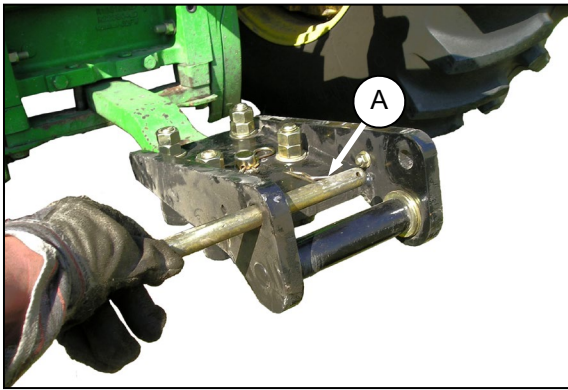
Shut off tractor, engage parking brake and remove key before working around hitch.



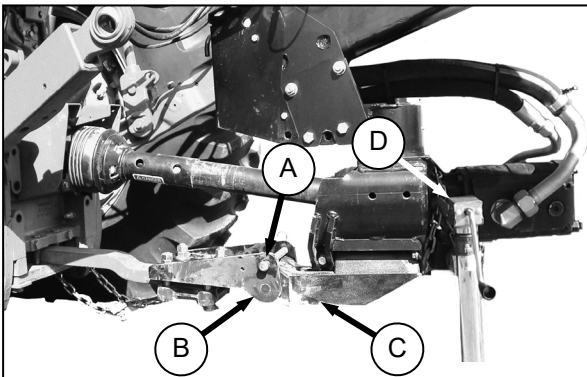
CAUTION

Never attach mower conditioner to tractor rear axle or three-point hitch arms.

6.4.1 Drawbar Hook-Up



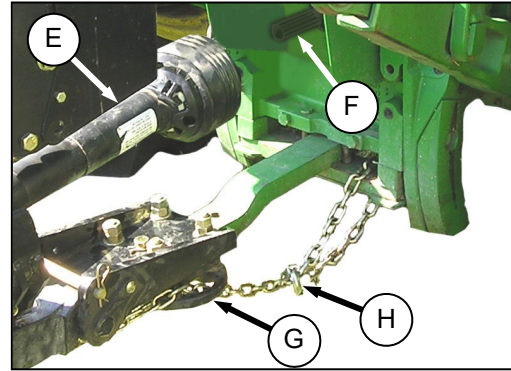
- a. Remove pin (A).



- b. Position tractor to align drawbar extension (B) with arm (C) on mower conditioner.
c. Lower jack (D) to engage arm (C) on drawbar extension (B).
d. Install hitch-pin (A) and secure with hairpin.

IMPORTANT

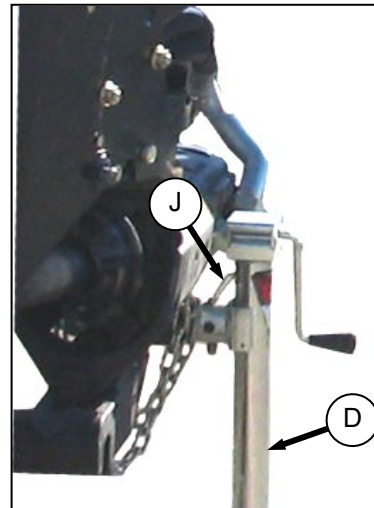
If the tractor has a three-point hitch, lower the lower links as low as possible to prevent damage to (APT).



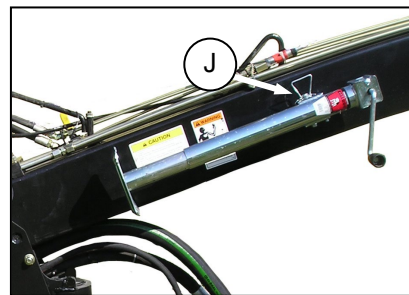
- e. Attach driveline (E) to tractor PTO shaft as follows:
1. Position driveline onto tractor PTO shaft (F).
2. Pull back collar on driveshaft and push driveshaft until it locks. Release collar.
f. Route safety chain from mower conditioner through chain support (G), around drawbar support and lock the hook (H) on chain.

IMPORTANT

Adjust chain length to remove all slack except what is needed for turns.



- g. Raise jack (D), pull pin (J) and move jack to storage position on side of APT.



- h. Secure jack with pin (J).
i. Proceed to Step 6.4.3 Hydraulic Connections.

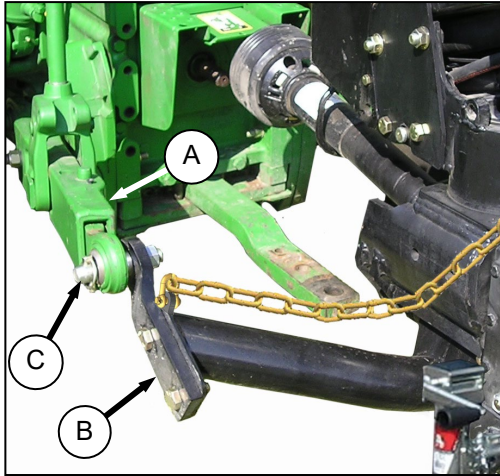
OPERATION

6.4.2 3 Point Hitch (Cat. II, III, or IIIN) Hook-Up



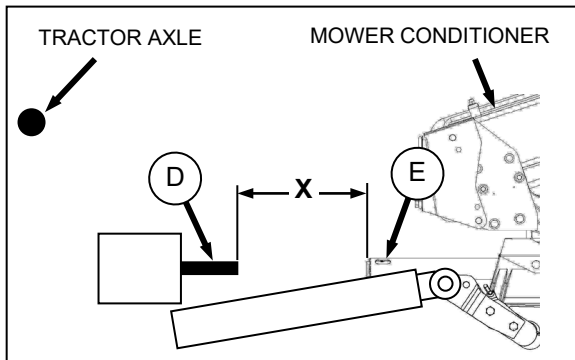
CAUTION

Shut off tractor, engage parking brake and remove key before working around hitch.



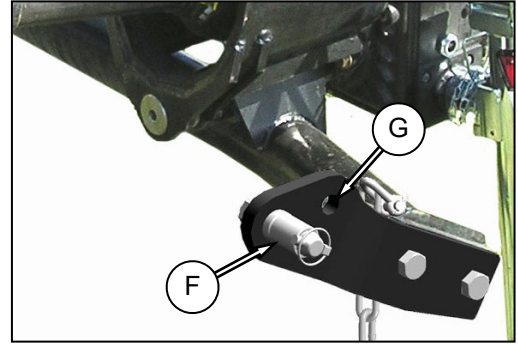
CAT. II & IIIN CONFIGURATION

- Position tractor and align tractor hitch arms (A) with mower conditioner arms (B). Use the jack to adjust height of mower conditioner.
- Secure arms with lynch pins (C).
- Install anti-sway bars on tractor hitch to stabilize lateral movement of hitch arms (A). Refer to your tractor operator's manual.

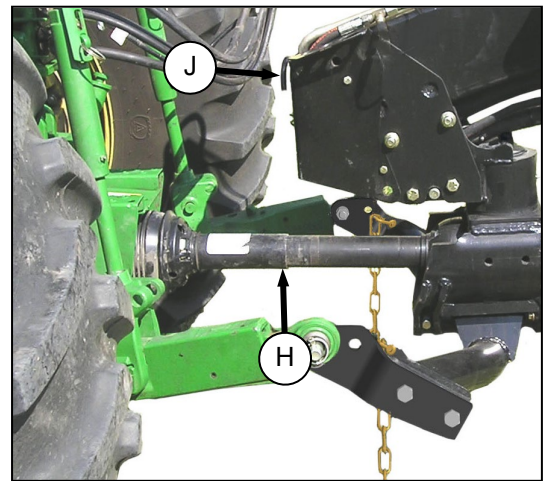


- Check distance 'X' between tractor PTO shaft (D) and implement input shaft (E) (without the front half of the driveline attached). The measurement must not exceed the following:

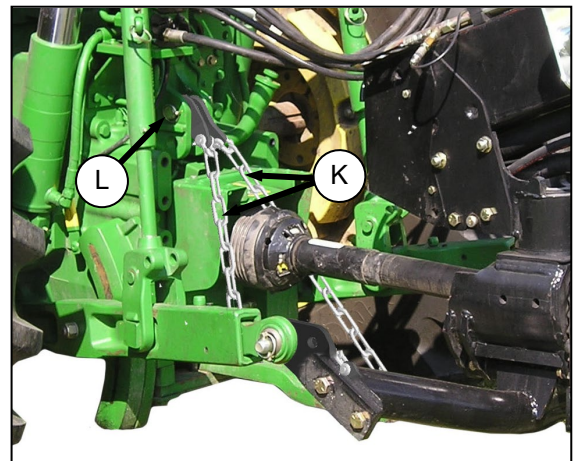
DRIVELINE SHAFT SIZE	DISTANCE 'X'
1.375 in. (34 mm)	14 in. (356 mm)
1.75 in. (43 mm)	17 in. (432 mm)



- Change locations of pins (F) in APT arms to hole (G) to locate implement closer to tractor if necessary.



- Position driveshaft (H) onto tractor PTO shaft. Driveline should be approximately level.
- Pull back collar on driveshaft and push driveshaft until it locks. Release collar.
- Rotate driveline storage hook (J) to upward position.



- Attach down-stop chains (K) to pin (L) on tractor.

(continued next page)

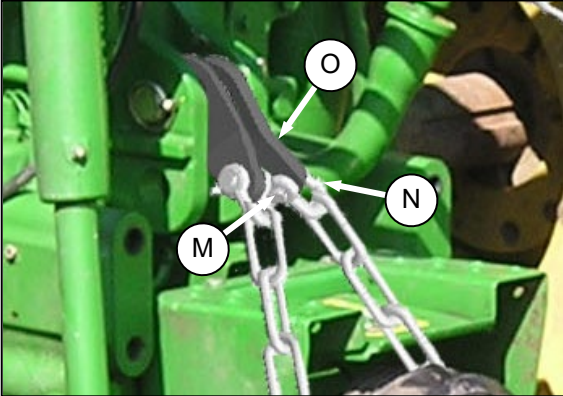
OPERATION



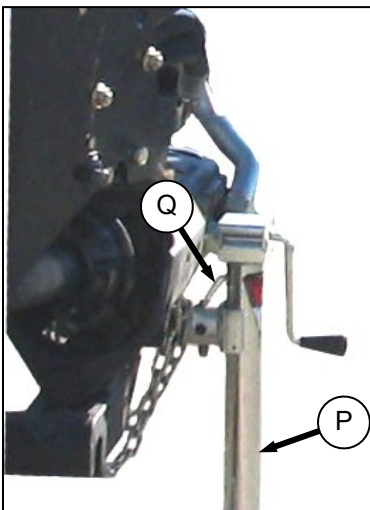
CAUTION

The downstop chains limit the downward travel of the 3-point hitch lifting arms to prevent damaging the PTO driveline on the mower-conditioner. Ensure chains are attached when operating the mower-conditioner.

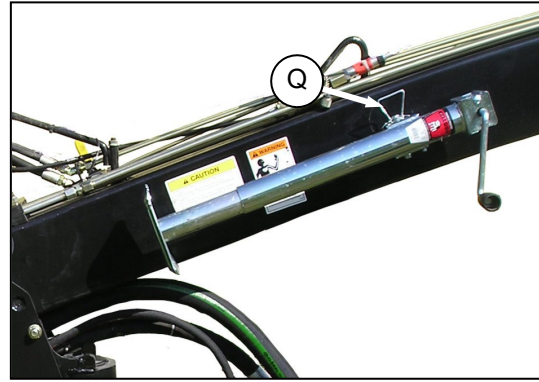
- j. Adjust chain length as required by relocating end link at tractor end of chain as follows:



1. Remove cotter pin and clevis pin (M) to disconnect open link (N) and end link (O).
2. Relocate open link (N) to new location on chain and re-attach to end link (O) with clevis pin (M). Chains do not need to be tight.
3. Secure clevis pin with cotter pin.



- k. Raise jack (P), pull pin (Q), and move jack to storage position on side of APT.



- l. Secure jack with pin (Q).

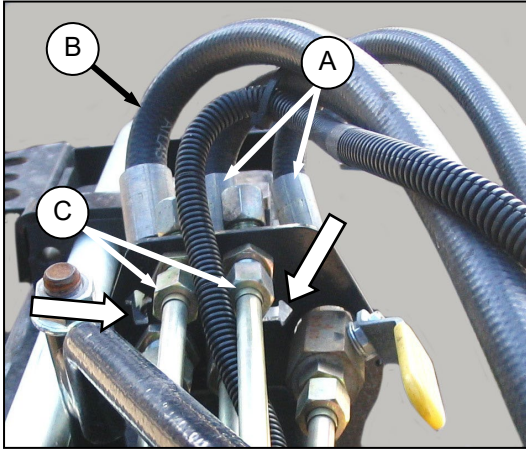
OPERATION

6.4.3 Hydraulic Connections



WARNING

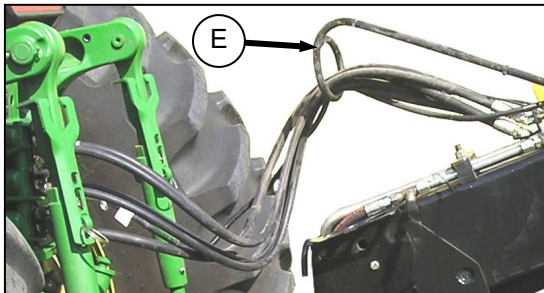
Do not use remote hydraulic system pressures over 3000 psi (20684 kPa). Check your tractor manual for remote system pressure.



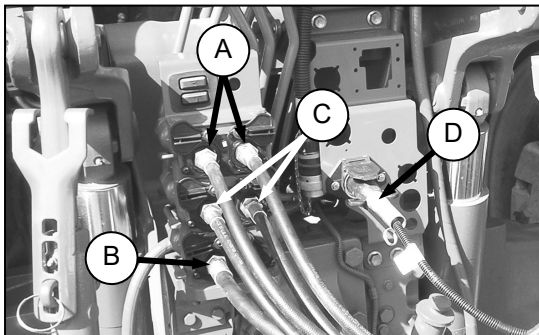
SYSTEM	HOSE	TRACTOR HYDRAULICS
Steering	A (2 Hoses)	Control 1
Lift	B (1 Hose)	Control 2
Header Tilt	C (2 Hoses)	Control 3

NOTE

Arrows cut into plate indicate system for hoses. LIFT ↑ STEERING ↔



- a. Ensure hoses are routed through guide (E) to provide proper hose arc as shown.



- b. Connect two **steering** cylinder hoses (A) as follows:

CONTROL LEVER POSITION	CYLINDER MOVEMENT	MOWER-CONDITIONER DIRECTION
Forward	Extend	Right
Backward	Retract	Left

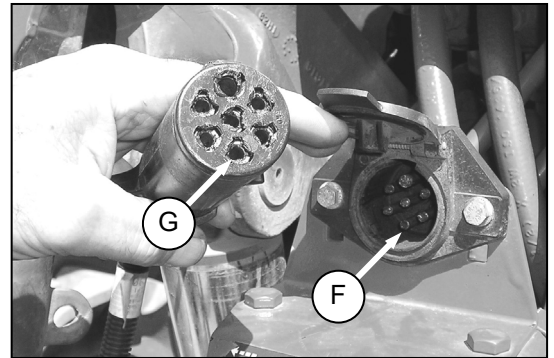
- c. Connect one **lift** cylinder hose (B) as follows:

CONTROL LEVER POSITION	CYLINDER MOVEMENT	HEADER MOVEMENT
Forward	Retract	Lower
Backward	Extend	Raise

- d. Connect two **header tilt** cylinder hoses (C) as follows: (Not required with mechanical center link).

CONTROL LEVER POSITION	CYLINDER MOVEMENT	HEADER MOVEMENT
Forward	Retract	Lower
Backward	Extend	Raise

- e. Connect the mower-conditioner wiring harness connector (D) to tractor. The connector is designed to fit tractors equipped with a round 7-pin receptacle (SAE J560).



IMPORTANT

Older model tractors will have Pin #4 (F) energized as an accessory circuit. The R80 mower conditioner uses this pin position (G) for brake lights. Check that Pin #4 in the tractor receptacle is not constantly energized – see tractor's operator's manual and remove the appropriate fuse if required.

OPERATION

6.5 MOWER CONDITIONER / TRACTOR UNHOOK – PULL-TYPE



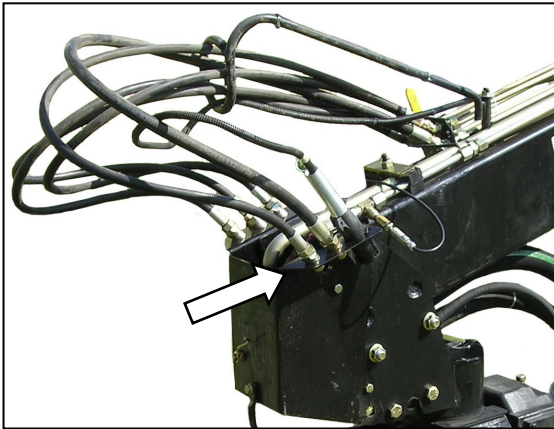
CAUTION

To prevent accidental movement of tractor, shut off engine, engage parking brake, and remove key.

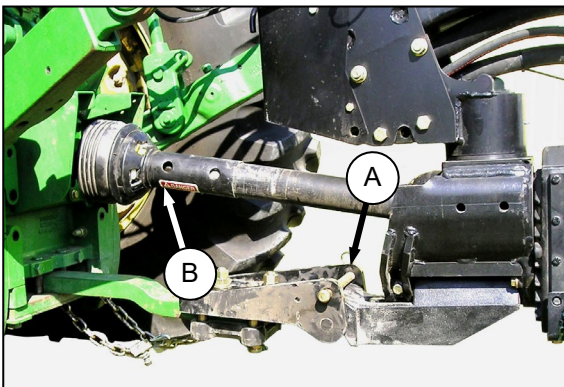
To maintain stability, always lower the machine completely. Block mower conditioner wheels before detaching from tractor.

6.5.1 Drawbar Hitch Unhook

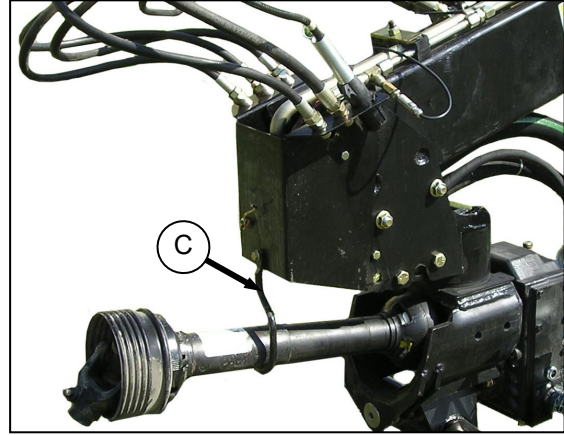
- Park machine on flat level surface with hitch at an angle to tractor drawbar (to facilitate pump detachment).
- Lower header onto blocks or leave header raised. Engage lift cylinder lock-out valves if leaving in raised position.
- Move remote cylinder control valve lever back and forth to relieve stored hydraulic pressure.



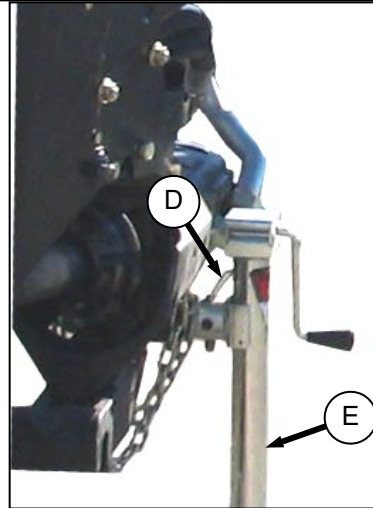
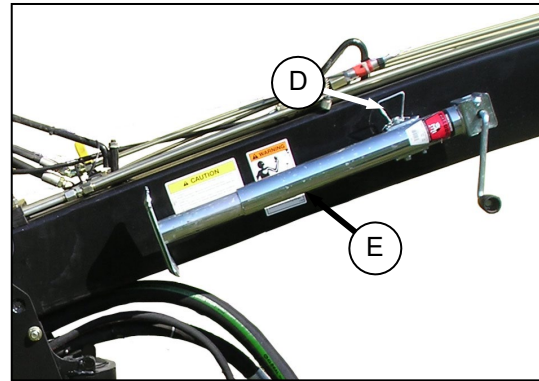
- Disconnect hydraulic hoses and electrical harness. Store hose ends in holes at front of APT as shown.



- Remove pin (A).



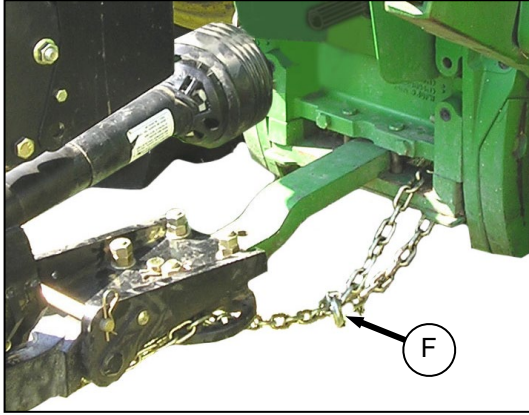
- Rotate hook (C) to lower position.
- Pull back collar on driveline (B) and slide coupler off tractor PTO shaft and position driveline in hook.



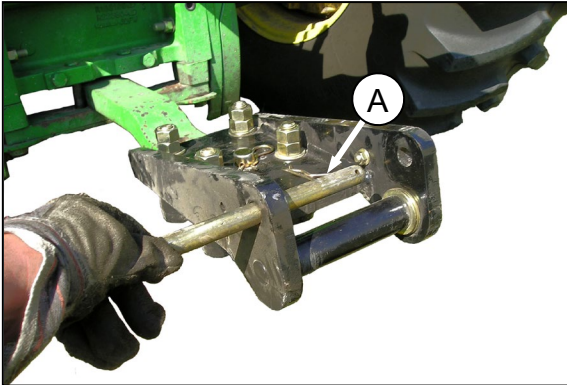
- Pull pin (D) securing jack (E) and move to working position at front of APT. Secure jack with pin (D).
- Lower jack to take weight off tractor drawbar.

(continued next page)

OPERATION



- j. Remove chain lock (F) and unhook safety chain from tractor. Wrap chain around APT for storage.
- k. Lower jack to raise APT clear of drawbar.
- l. Slowly drive tractor away from mower conditioner.



- m. Replace hitch pin (A) and secure with hairpin.

OPERATION

6.5.2 3-Point Hitch Unhook

- Park machine on flat level surface.
- Lower header onto blocks or leave header raised. Engage lift cylinder lock-out valves if leaving in raised position.
- If necessary, raise 3-point hitch arms to release tension on downstop chains.

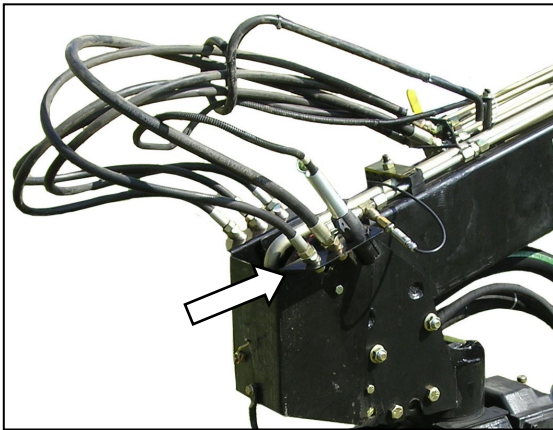


CAUTION

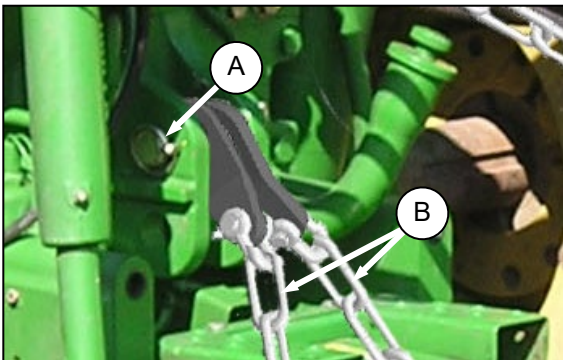
To prevent accidental movement of tractor, shut off engine, engage parking brake, and remove key.

To maintain stability, always lower the machine completely. Block mower conditioner wheels before detaching from tractor.

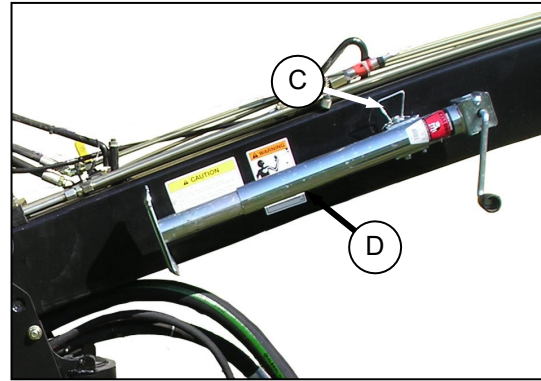
- Shut off engine and remove key.
- Move remote cylinder control valve lever back and forth to relieve stored hydraulic pressure.



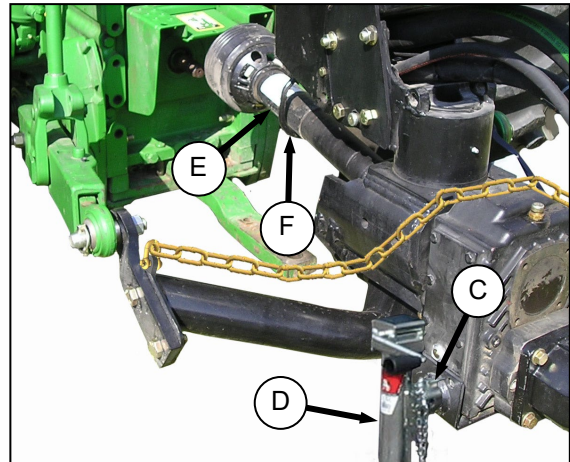
- Disconnect hydraulic hoses and electrical harness. Store hose ends in holes at front of APT as shown.



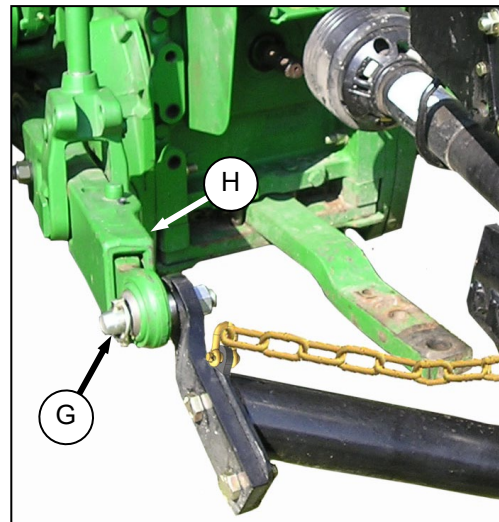
- Remove pin (A), and remove down-stop chains (B) from tractor and store on APT yoke.



- Pull pin (C) securing jack (D) to APT and move to working position. Secure jack with pin (C).



- Rotate hook (F) to lower position.
- Pull back collar on driveline (E) and slide coupler off tractor PTO shaft. Place driveline in hook.
- Lower jack (D) to take weight off hitch arms.



- Remove lynch pins (G) and swing hitch arms (H) clear of APT.
- Slowly drive tractor away from mower conditioner.

OPERATION

6.6 HEADER ATTACHMENT – SELF-PROPELLED

Refer to the M100, or M150 & M200 Self-Propelled Windrower Operator's Manual for procedures for mechanically attaching the auger header to the self-propelled windrower. Refer to the following procedures for electrical and hydraulic connections. The header drive hydraulic hoses and electrical harness are located on the LH cab-forward side of the windrower.

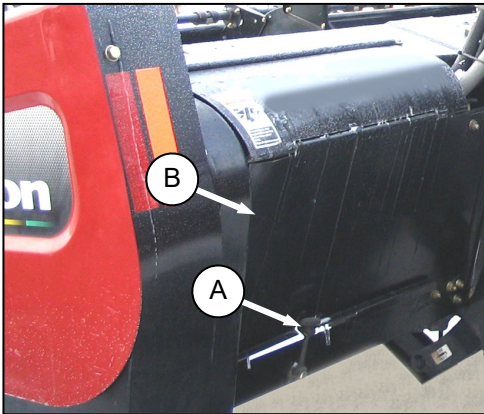
6.6.1 A30-S, A30-D

The M100, M150, and M200 Windrowers are factory equipped with A30-S and A30-D header hydraulics and electrical harness. Proceed as follows:

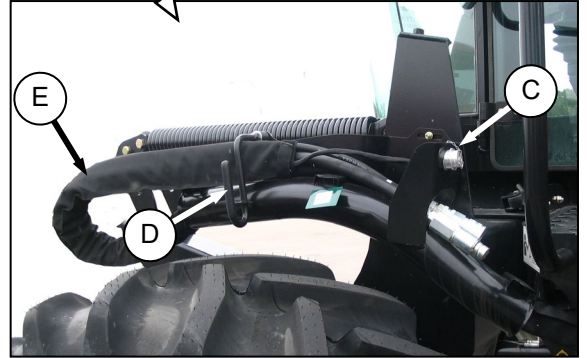
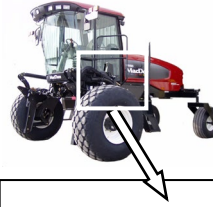


DANGER

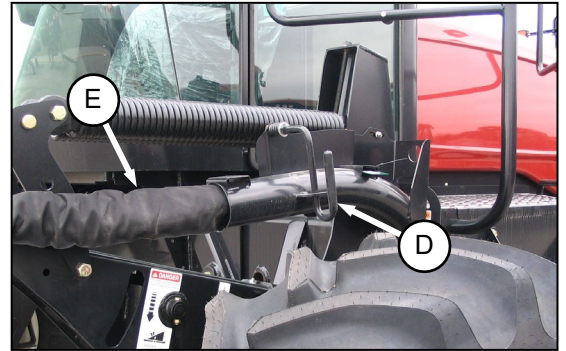
Stop engine and remove key from ignition before leaving operator's seat for any reason. A child or even a pet could engage an idling machine.



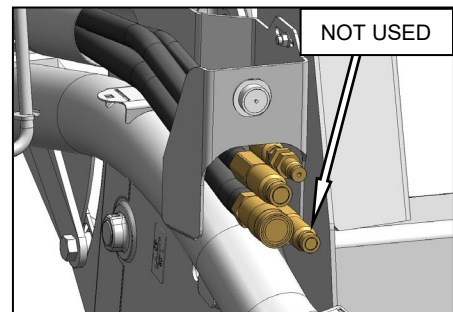
- Disengage rubber latch (A) and open driveline shield (B).



- Remove the cap (C) from electrical connector, and remove connector from support bracket.
- Disengage and rotate lever (D) counter-clockwise to fully up position to release the hose bundle (E).



- Move hose bundle (E) to header.
- Rotate lever (D) clockwise and engage in bracket to store.

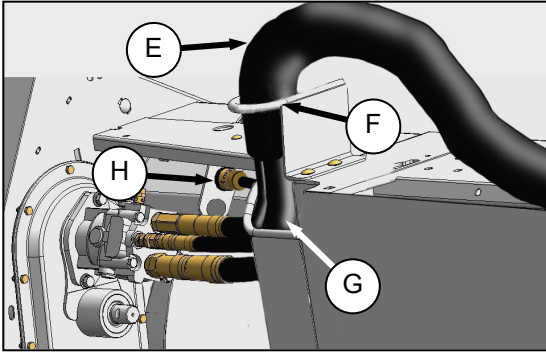


IMPORTANT

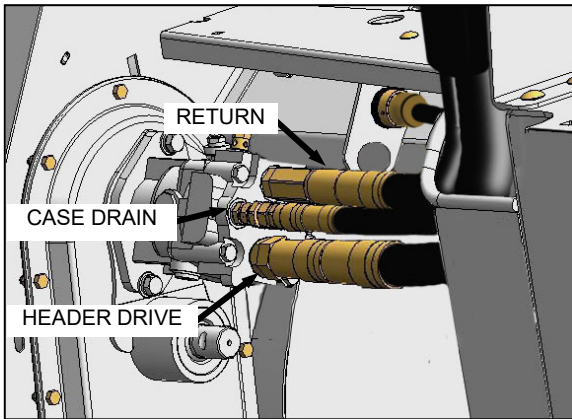
If the hose bundle contains four hoses (draper header operation), only three are required to power the A30 header. Ensure loose hose is properly secured to avoid contact with the drivelines.

(continued next page)

OPERATION



- f. Route hoses (E) from windrower through support (F) and access hole (G) in header frame.
- g. Remove cover on header electrical receptacle (H).
- h. Push connector onto receptacle and turn collar on connector to lock it in place.
- i. Attach cover to mating cover on windrower wiring harness.
- j. Remove caps (if installed) from hydraulic couplers and clean if necessary.



- k. Push hose connectors onto mating receptacles as shown until collars on receptacles snap into lock position.
- l. Close driveline shield before engaging header.
- m. **Proceed to 6.6.3. Configure Reverser Valve Jumper Hose.**

OPERATION

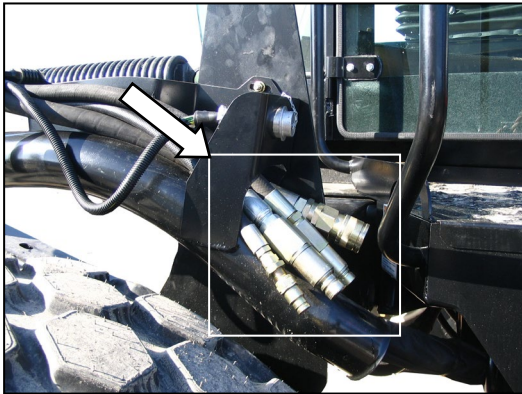
6.6.2 A40-D



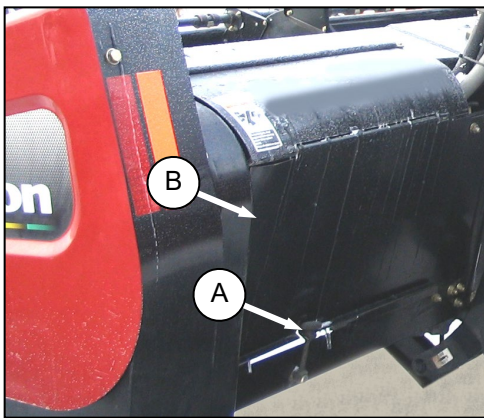
CAUTION

To prevent accidental movement of windrower, place all controls in neutral or in park, engage park brake (if applicable), shut off engine, and remove key.

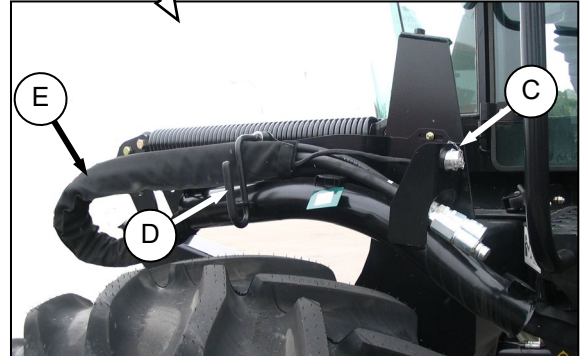
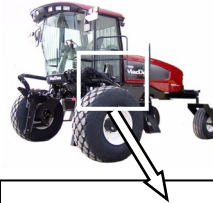
The M200 Windrower may not be equipped to run an A40-D auger header. If it is, there will be four hoses on the windrower, so proceed to step b, otherwise, go to step a. The M100 and M150 are factory equipped with four hoses.



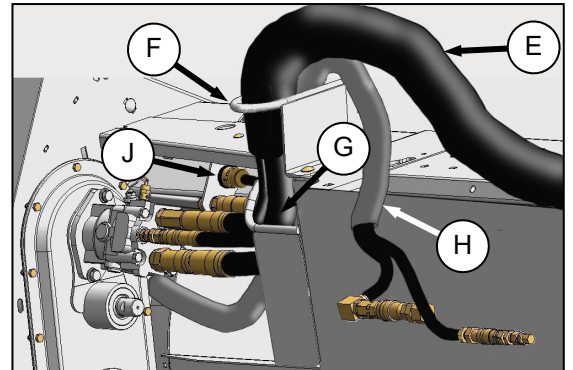
- a. If required, configure the M200 to run an A40-D auger header by installing Kit B4651. The kit includes all necessary hardware, hoses, and installation instructions.



- b. Disengage rubber latch (A) and open driveline shield (B).

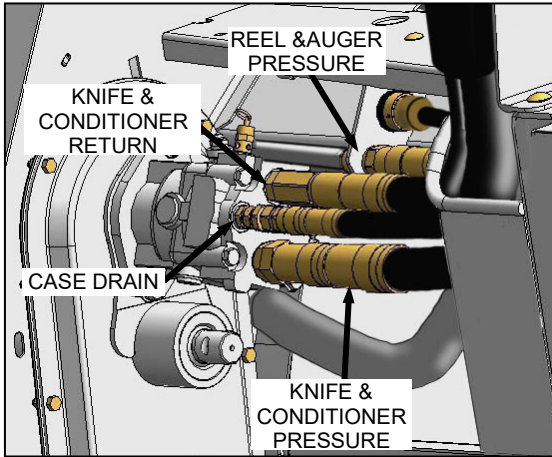


- c. Remove the cap (C) from electrical connector, and remove connector from support bracket.
- d. Disengage and rotate lever (D) counter-clockwise to fully up position to release the hose bundle (E).
- e. Move hose/electrical bundle (E) to header.

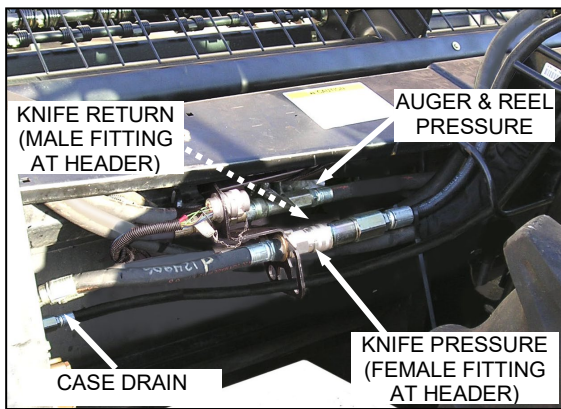


- f. Route bundle (E) from windrower through support (F) and access hole (G) in header frame alongside existing hose bundle (H) from header.
- g. Remove cover on header electrical receptacle (J).
- h. Push connector onto receptacle and turn collar on connector to lock it in place.
- i. Attach cover to mating cover on windrower wiring harness.
- j. Remove caps from hydraulic couplers and clean if necessary.

OPERATION

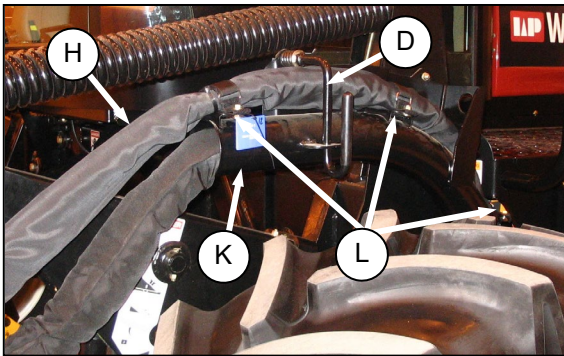


STANDARD HEADER



GRASS SEED HEADER

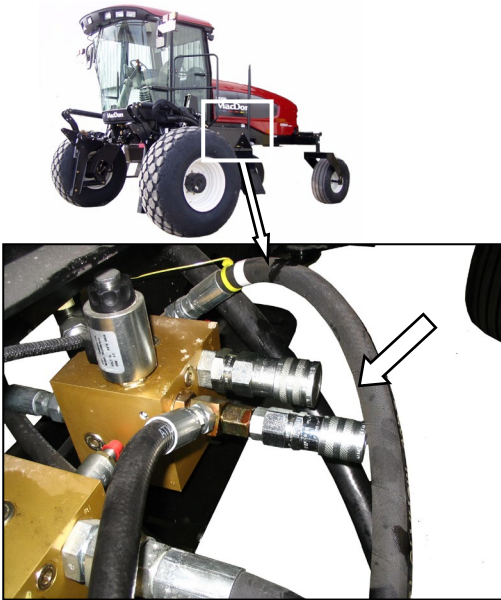
- k. Push hose connectors onto mating receptacles as shown until collars on receptacles snap into lock position.



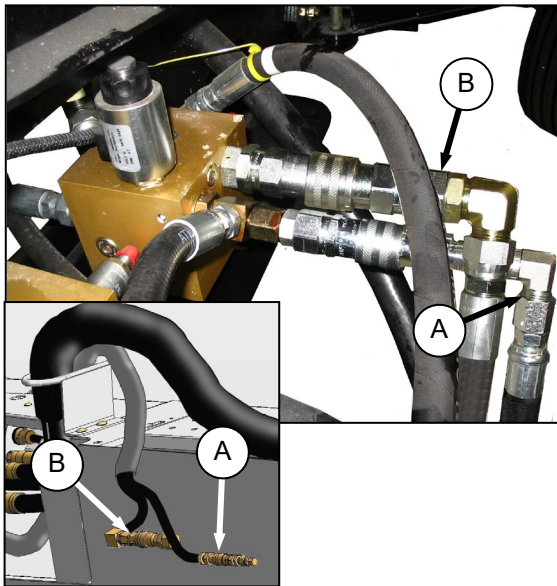
- l. Route auger return and reel pressure hose bundle (H) from header to windrower, and locate bundle above existing hose support (K) as shown.
- m. Secure with three straps (L) and lower lever (D).
- n. Connect hoses in bundle (H) to windrower. See 6.6.1.1 M100, 6.6.1.2 M150, or 6.6.1.3 M200.

OPERATION

6.6.2.1 M100

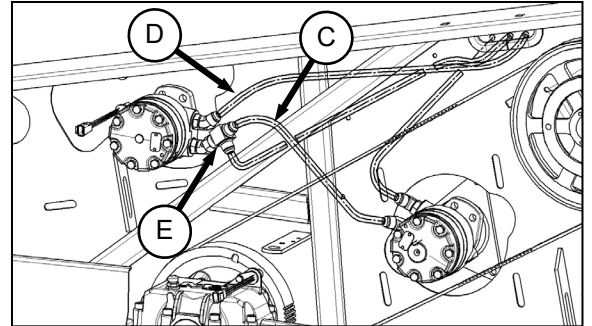


- a. If valve blocks are not configured as shown, install required fittings as described in "A30-S, A30-D & A40-D Auger Self-Propelled Windrower Header Unloading and Assembly Instructions, form #169078" that was supplied with your A40-D header.



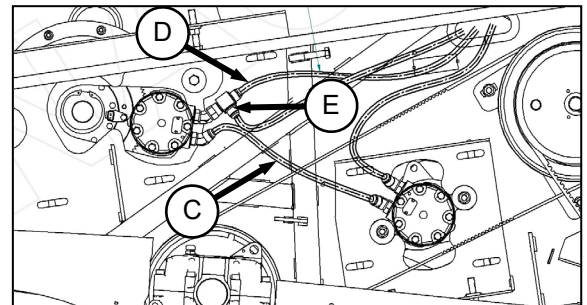
- b. Push reel pressure and auger return hose couplers (A) and (B) onto mating receptacles on valve block until collar on receptacle snaps into lock position.

- c. Open header LH drive shield.
 d. Check hose routing at the reel motor. The hose routing depends on which windrower model the header is being attached to. The header is factory assembled for M150 and M200 windrowers. Change hoses as follows if header is being mounted on a M100 windrower:



M150/M200 – FACTORY CONFIGURATION

1. Disconnect hose (C) at tee.
2. Disconnect hose (D) at reel motor.

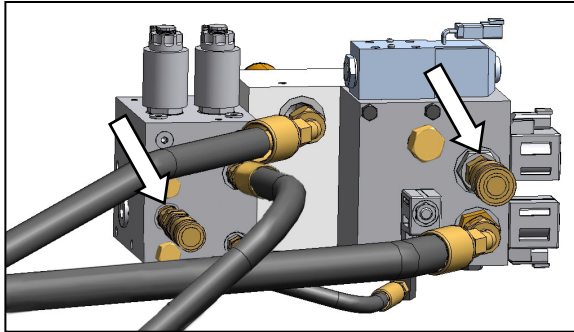


M100

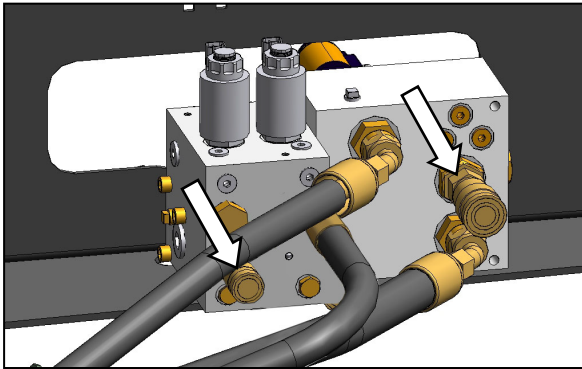
3. Disconnect tee (E) at motor lower port and relocate to upper port.
 4. Connect hose (D) to tee.
 5. Connect hose (C) to motor lower port.
- e. **Proceed to 6.6.3. Configure Reverser Valve Jumper Hose.**

OPERATION

6.6.2.2 M150

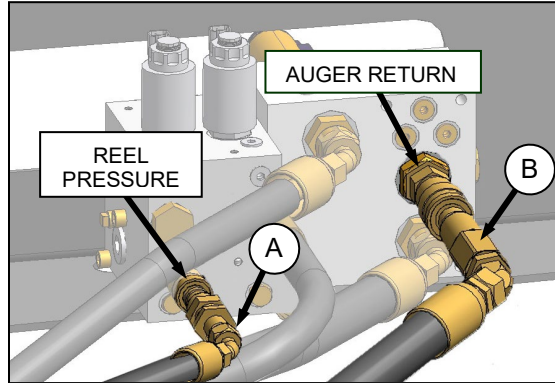
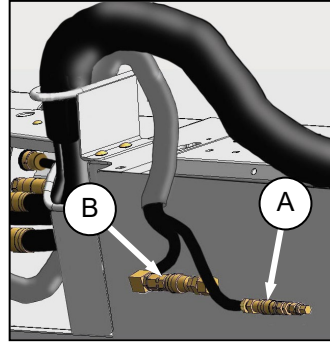


WITH REVERSER VALVE

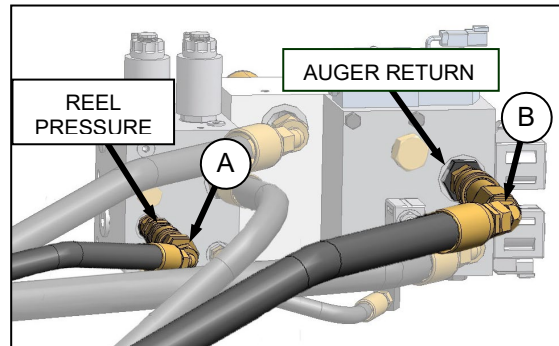


WITHOUT REVERSER VALVE
M150

- a. If valve blocks are not configured as shown, install required fittings as described in "A30-S, A30-D & A40-D Auger Self-Propelled Windrower Header Unloading and Assembly Instructions, form #16908" that was supplied with your A40-D header.



WITHOUT REVERSER VALVE



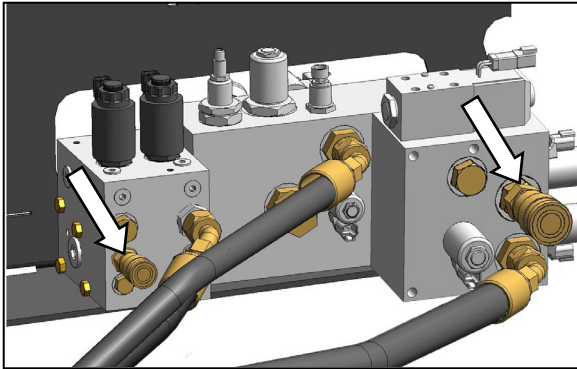
WITH REVERSER VALVE

M150

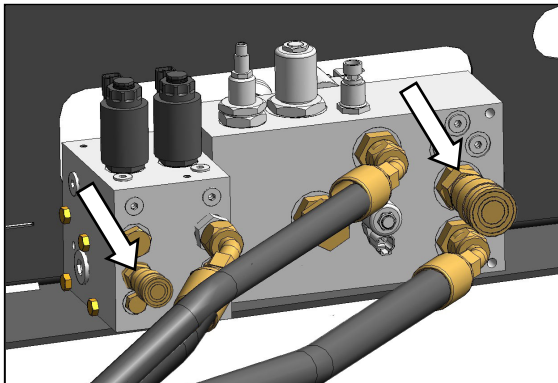
- b. Push reel pressure and auger return hose couplers (A) and (B) onto mating receptacles on valve block until collar on receptacle snaps into lock position.
- c. **Proceed to 6.6.3. Configure Reverser Valve Jumper Hose.**

OPERATION

6.6.2.3 M200



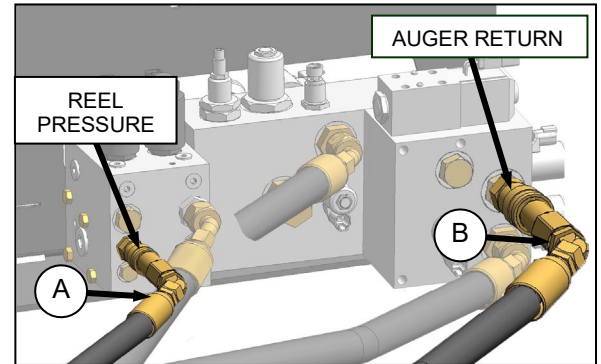
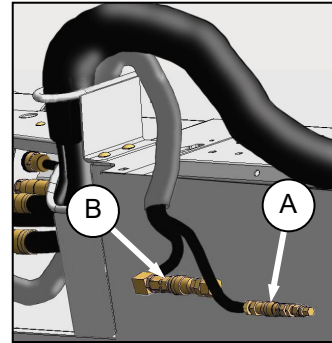
WITH REVERSER VALVE



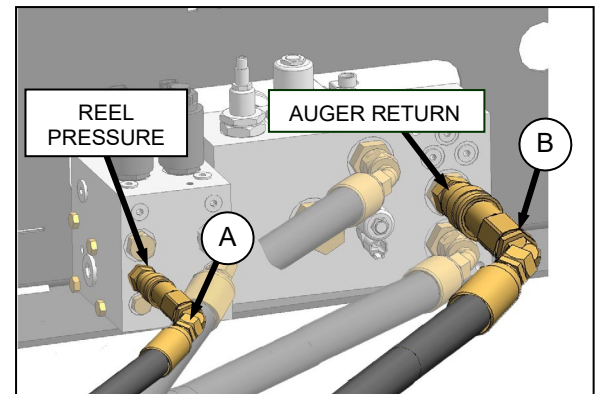
WITHOUT REVERSER VALVE

M200

- a. If valve blocks are not configured as shown, install required fittings as described in "A30-S, A30-D & A40-D Auger Self-Propelled Windrower Header Unloading and Assembly Instructions, form #169078" that was supplied with your A40-D header.



WITH REVERSER VALVE



WITHOUT REVERSER VALVE

M200

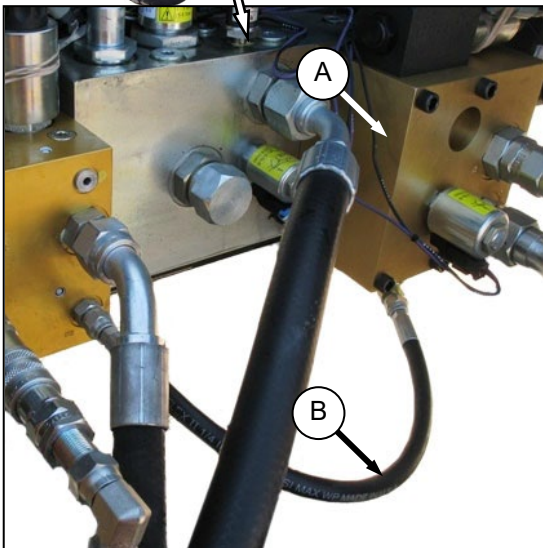
- b. Push reel pressure and auger return hose couplers (A) and (B) onto mating receptacles on valve block until collar on receptacle snaps into lock position.
- c. **Proceed to 6.6.3. Configure Reverser Valve Jumper Hose.**

OPERATION

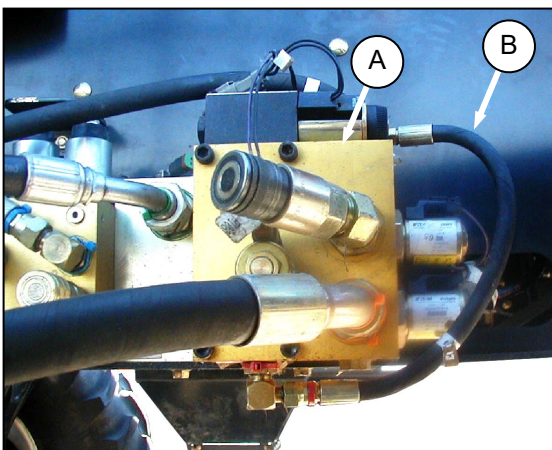
6.6.3 Configure Reverser Valve Jumper Hose

A reverser valve to reverse the header drive in the event of plugging, may be installed on the M150 and M200 windrowers. A jumper hose on the valve has a specific routing for each model of auger header. Check the routing of the jumper hose as follows and change as required:

- a. Move LH windrower platform to open position to expose hydraulic valve blocks.



HOSE (B) POSITION – A40-D
M200 SHOWN – M150 SIMILAR

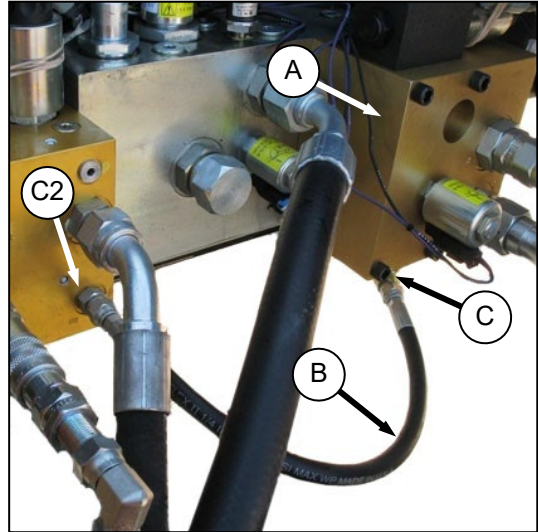


HOSE (B) POSITION – A30-S, A30-D
M150 SHOWN – M200 SIMILAR

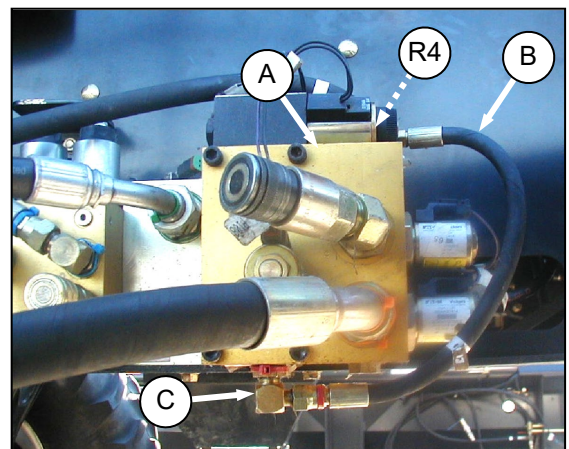
IMPORTANT

If a reverser valve (A) is installed, the jumper hose (B) must be routed as shown opposite. **Do not operate the headers unless hose is routed as shown.**

- b. To route hose (B) from **A40-D position to A30-S, A30-D position:**



1. Disconnect jumper hose (B) at header drive valve block port C2 fitting.
2. Rotate 90° fitting (C) under reverser valve block (A) so that it points aft.

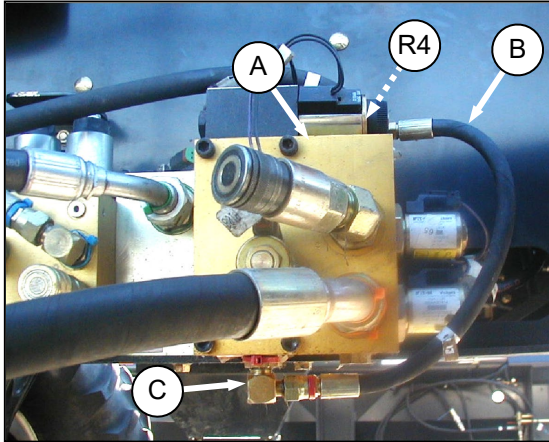


3. Remove cap from 90° fitting in port R4 on top of reverser block.
4. Connect jumper hose (B) onto 90° fitting in port R4.
5. Install cap removed in step 3. onto port C2 fitting.

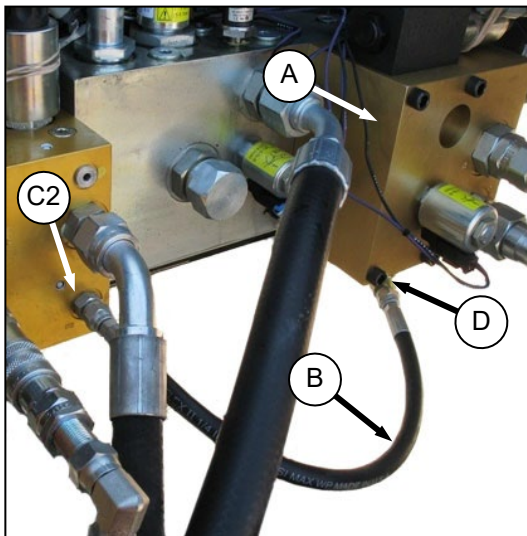
(continued next page)

OPERATION

- c. To route hose (B) from **A30-S, A30-D position to A40-D position**:



1. Disconnect jumper hose (B) at 90° fitting in port R4.
2. Rotate 90° fitting (C) under reverser valve block (A) so that hose can be routed to port C2 on header drive valve block .



3. Remove cap from port C2 fitting on header drive valve block.
 4. Connect jumper hose (B) to port C2 fitting on header drive valve block.
 5. Install cap removed in step 3. onto 90° fitting in port R4 on reverser valve block (A).
- d. Move LH maintenance platform to normal operating position.

OPERATION

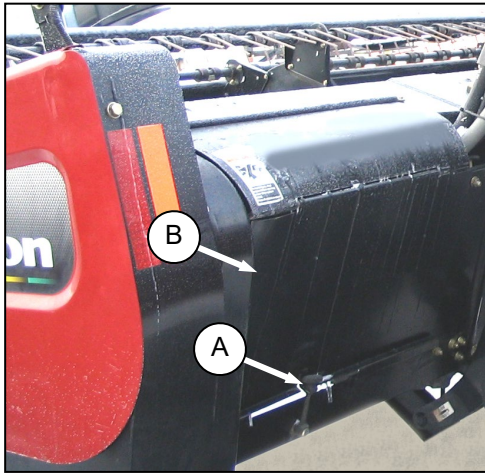
6.7 HEADER DETACHMENT – SELF-PROPELLED



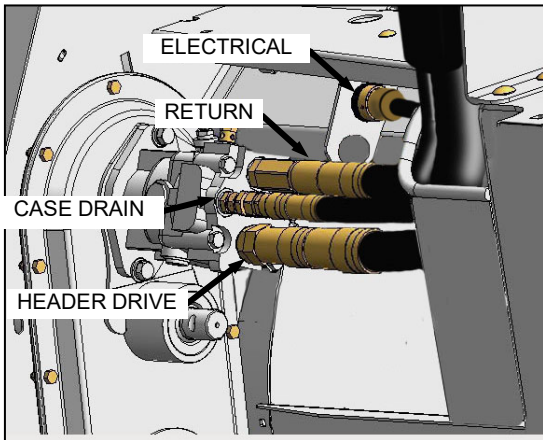
CAUTION

To prevent accidental movement of windrower, shut off engine, engage parking brake, and remove key.

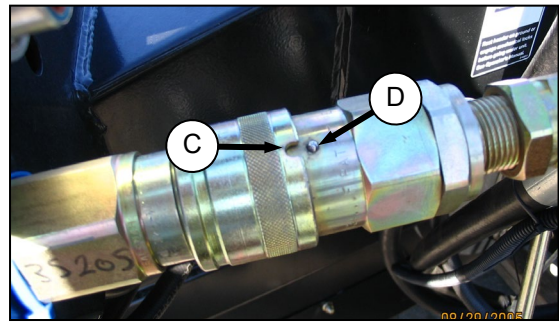
6.7.1 A30-S, A30-D Detachment



- a. Disengage rubber latch (A) and lift driveline shield (B) to open position.

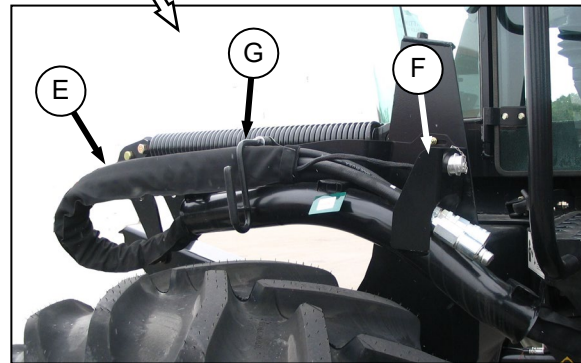


- b. Disconnect electrical connector by turning collar counterclockwise and pulling connector to disengage.



- c. Disconnect hoses from hydraulic motor as follows:

1. Line up slot (C) in collar with pin (D) on connector.
2. Push collar toward pin and pull connector to disengage.
3. Install caps on connectors and hose ends (if equipped).



- d. Move hose bundle (E) from header and locate on windrower LH side with hose ends in support (F) and under lever (G).
- e. Rotate lever (G) clockwise and push to engage bracket.
- f. Locate electrical harness through support (F) and attach cap to electrical connector.
- g. Close header driveline shield and move windrower platform to closed position.
- h. Detach header from windrower. Refer to the M100, or M150 & M200 Self-Propelled Windrower Operator's Manual for procedures for mechanically detaching the header from the self-propelled windrower.

OPERATION

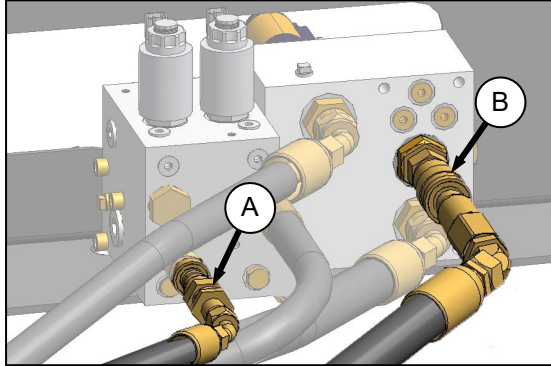
6.7.2 A40-D Detachment



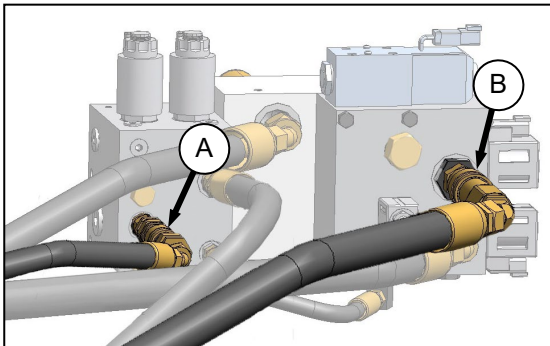
CAUTION

To prevent accidental movement of windrower, place all controls in neutral or in park, engage park brake (if applicable), shut off engine, and remove key.

- a. Move LH (cab forward M150/M200) platform to rear of windrower.

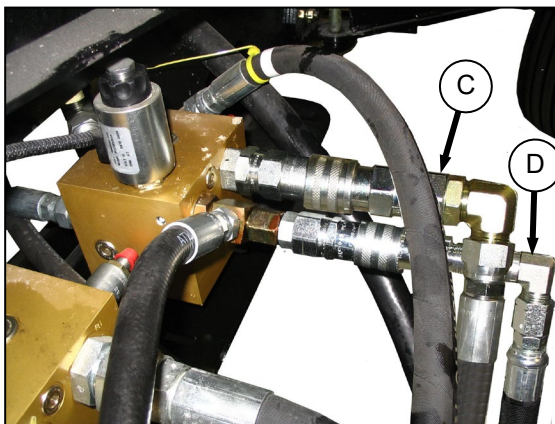


WITHOUT REVERSER VALVE



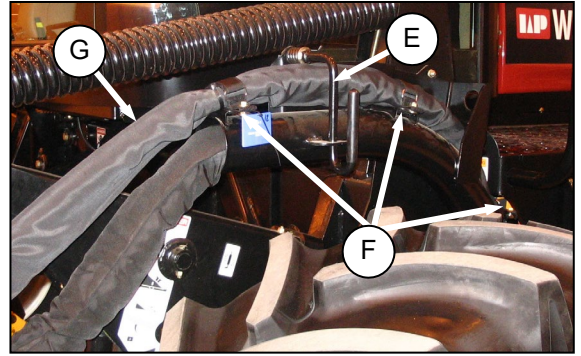
WITH REVERSER VALVE

M150 SHOWN, M200 SIMILAR

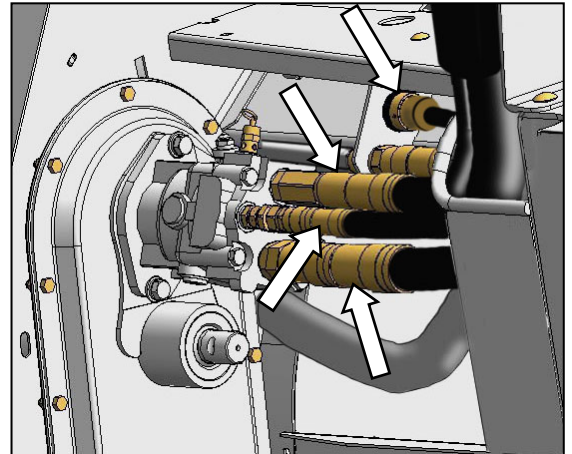


M100

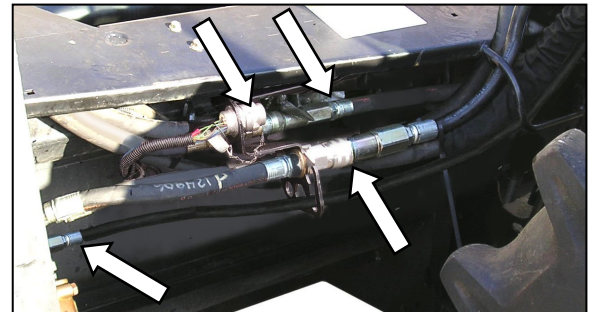
- b. Disconnect the two hydraulic hoses (A) and (B) or (C) and (D) from windrower valve(s).



- c. Raise lever (E) and undo Velcro straps (F).
- d. Move hose bundle (G) to store on header walkway.
- e. Install caps on connectors and hose ends if equipped.



STANDARD HEADER

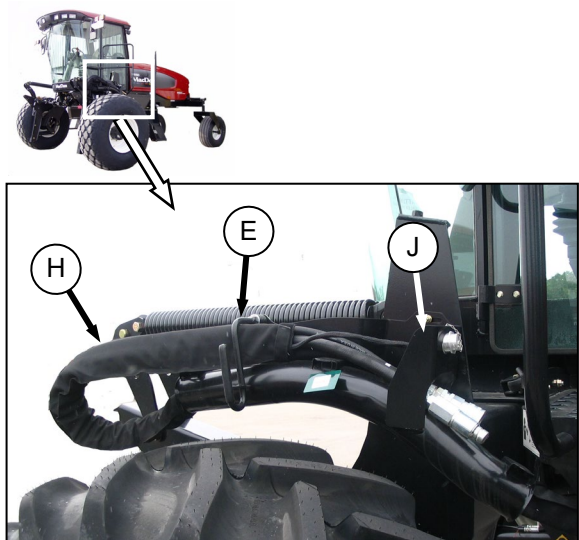


GRASS SEED HEADER

- f. At the header, disconnect electrical connector by turning collar counterclockwise and pulling connector to disengage.
- g. Disconnect hoses from hydraulic motor, and auger and reel pressure hose.

(continued next page)

OPERATION



- h. Move hose bundle (H) from header and locate on windrower LH side with hose ends in support (J) and under lever (E).
- i. Rotate lever (E) clockwise and push to engage bracket.
- j. Locate electrical harness through support (J) and attach cap to electrical connector.
- k. Close driveline shield and move windrower platform to closed position.
- l. Detach header from windrower. Refer to the M100, or M150 & M200 Self-Propelled Windrower Operator's Manual for procedures for mechanically detaching the header from the self-propelled windrower.

OPERATION

6.8 TRANSPORTING MOWER CONDITIONER

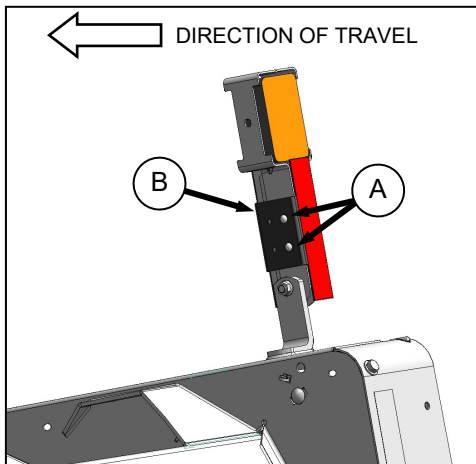
6.8.1 Self-Propelled

Refer to M100, or M150 & M200 Self-Propelled Windrower Operator's Manual for transporting headers when attached to the M100, M150 and M200 Windrower windrowers.

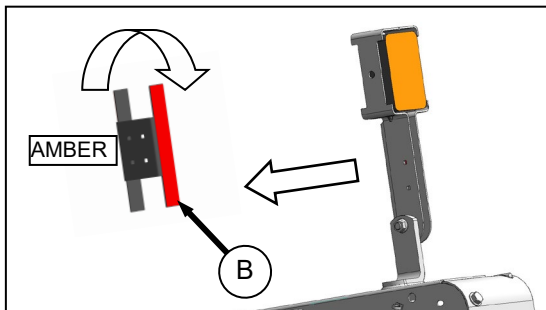
6.8.1.1 Amber Lights

The two hazard light fixtures are fitted with reversible amber and red reflector assemblies to accommodate cab-forward and engine-forward operation (M150 and M200). The amber reflectors must always face the direction of travel and are changed as follows:

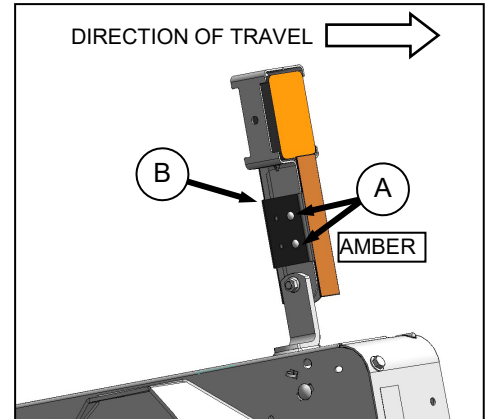
- Lower header to the ground, shut off engine, and remove key.



- Remove bolts (A) from deflector assembly (B), and remove assembly from light fixture. Retrieve spacers (nuts).



- Flip deflector assembly (B), and re-install ensuring amber side is facing direction of travel.



- Secure with bolts (A), spacers, and nuts.
- Repeat above steps for other light.

6.8.2 Pull-Type - Towing

The A Series Pull-Type Mower Conditioners can be transported on public roads by towing with a tractor or a truck. Proceed to 6.8.2.1 Transporting With A Tractor, or 6.8.2.2 Transporting With A Truck.



CAUTION

- Be aware of roadside obstructions, oncoming traffic and bridges.
- Travel speed should be such that complete control and machine stability are maintained at all times. Do not exceed 20 mph (32 km/h). Reduce speed for corners and slippery conditions.
- When transporting on roads, use tractor lights and mower conditioner flashing amber and red tail-lights to provide adequate warning to operators of other vehicles.
- Do not transport the mower conditioner on a road or highway at night, or in conditions, which reduce visibility, such as fog or rain.

6.8.2.1 Transporting With a Tractor

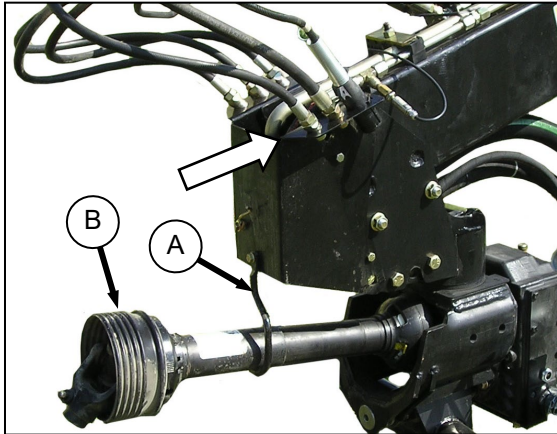
If the mower conditioner is in transport mode, proceed as follows. Otherwise, see 6.8.2.3 Preparing Mower conditioner for Transport.

- Hook-up mower conditioner to tractor. See 6.4 Mower Conditioner/Tractor Hook-up, for details on attaching the mower conditioner to the tractor.

OPERATION

NOTE

The hydraulic hoses do not need to be attached to the tractor for towing. Ensure they are securely stored on the APT.



NOTE

The PTO does not need to be attached for towing purposes. If not attached, lower hook (A), store driveline on hook, and remove forward half (B) of driveline. Store forward half in cab for transport.

- b. Ensure that APT safety chain is properly attached to towing vehicle. Provide only enough slack in chain to permit turning.
- c. Check local laws for width regulations and lighting or marking requirements before transporting on roads.
- d. Do not exceed 20 mph (32 km/h).

6.8.2.2 Transporting With a Truck

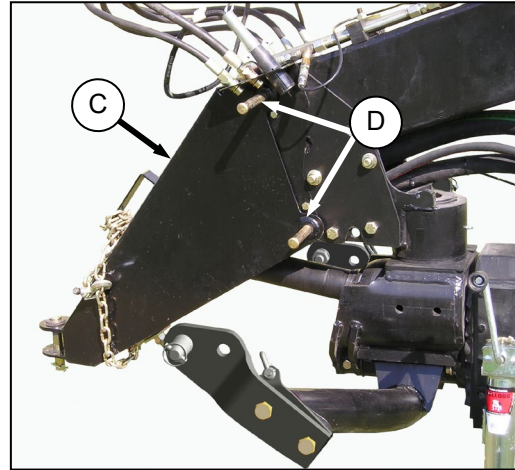


CAUTION

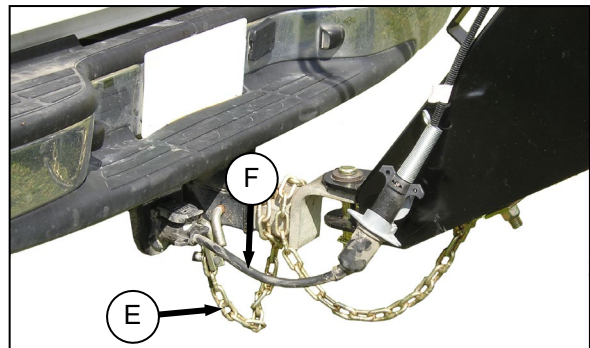
Do not tow with a vehicle weighing less than 7500 lb (3400 kg). Ensure that the capacity of the towing vehicle is sufficient to maintain control.

If the mower conditioner is in transport mode, proceed as follows. Otherwise, see 6.8.2.3 Preparing Mower conditioner for Transport.

- a. Store hydraulic hoses on the APT as shown opposite.
- b. Lower hook (A) and place driveline in hook.
- c. Remove the forward half (B) of driveline and store in truck for transport.



- d. Position towing adapter (C) on APT and secure with pins (D).
- e. Attach mower conditioner to truck.
- f. Remove jack from working position and store on APT. Secure with pin.

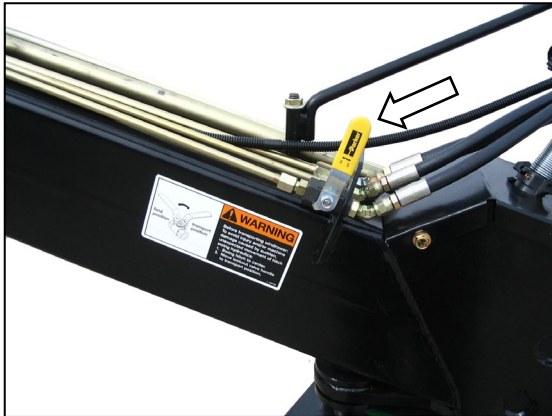


- g. Wrap safety chain around APT and attach to truck frame (E).
- h. Connect electrical harness (F).
- i. Check local laws for width regulations and lighting or marking requirements before transporting on roads.
- j. Do not exceed 20 mph (32 km/h).

OPERATION

6.8.2.3 Preparing Mower conditioner for Transport

- a. Charge the steering circuit as follows:
 1. Connect the two APT steering cylinder hoses to a tractor hydraulic circuit.
 2. Steer the header completely to the left, then right. Repeat three or four times.
- b. Steer the mower conditioner so that it is centered behind the towing vehicle.



- c. Close the lock-out valve on the APT.



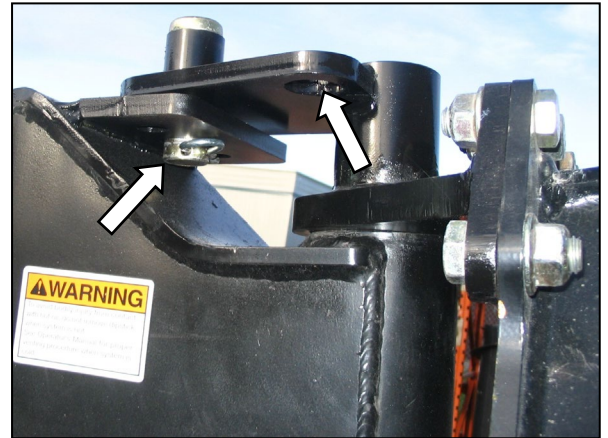
- d. Raise the header fully and engage both header lift cylinder lock-out valves.



WARNING

Do not tow unless the steering cylinder is fully charged. If steering cylinder is not fully charged loss of control can result in injury or death. Use the temporary transport lock pin if machine must be towed without a fully charged steering cylinder.

- e. If steering cylinder is not fully charged, install temporary transport lock pin as follows: Otherwise, proceed to step f.



1. Remove pin from storage at aft end of APT.
2. Line up holes in APT and frame and install transport lock pin as shown.
3. Secure with lynch pin.



- f. Check that jack is properly attached in storage position on APT.
- g. Keep SMV sign, reflectors and lights clean and visible at rear of mower conditioner.
- h. Ensure tires are properly inflated.
- i. Refer to Section 6.8.2.1, or 6.8.2.2 for towing procedures.

OPERATION

6.8.3 Pull-Type - Flatbed

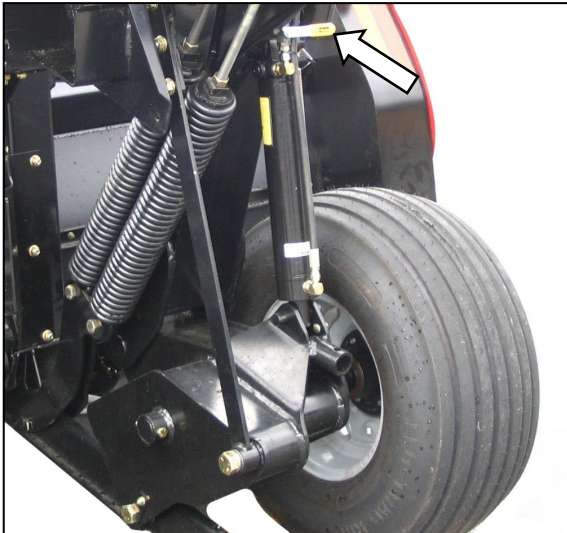
To transport the mower conditioner on a flatbed trailer, proceed as follows:



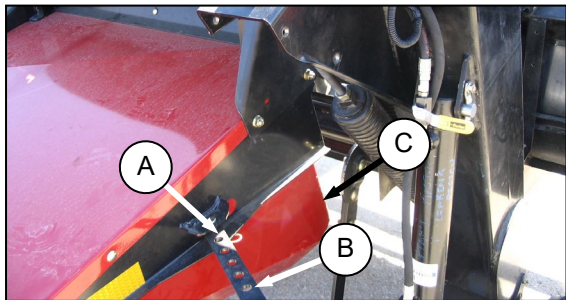
CAUTION

Use the following procedure when transporting the mower conditioner on a flatbed trailer.

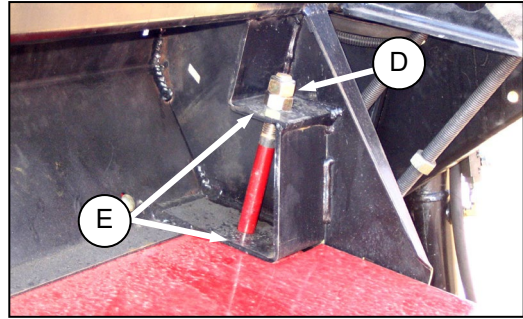
6.8.3.1 Loading – Pull-Type



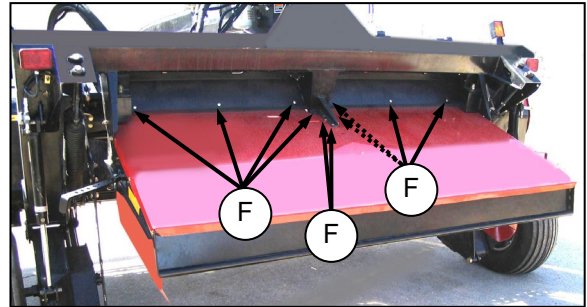
- Lower the mower conditioner to the ground and move the cylinder lock-out valve handle to the horizontal position at both lift cylinders.
- Retract header angle control link to minimum.
- Unhook mower conditioner from tractor. Refer to Section 6.5, Mower conditioner/Tractor Unhook.
- Tie hoses to APT.
- Remove tall crop dividers, if equipped.
- Remove complete forming shield group as follows:



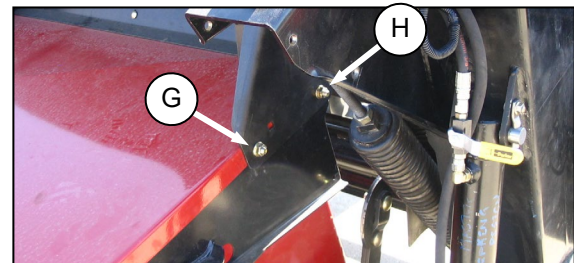
- Remove pins (A).
- Disassemble adjuster bars (B) from side deflectors (C). Note orientation of hardware.



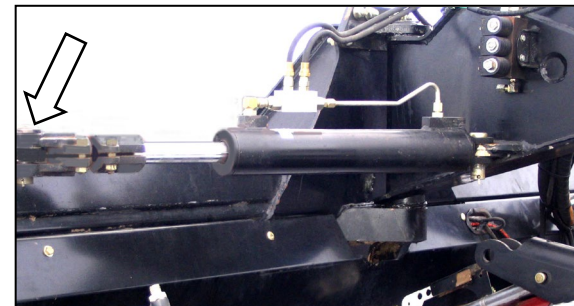
- Remove nuts (D) and drop side deflectors from frame (E).



- Remove eight bolts (F) attaching forming shield cover to frame.



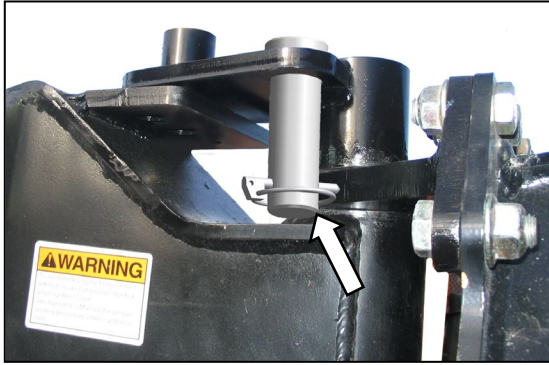
- Remove two bolts (G) and lower rear of forming shield to ground.
- Remove two bolts (H) and detach forming shield from frame.



- Remove pin at rod end of APT steering cylinder and move cylinder away from frame. Re-insert pin in clevis.

(continued next page)

OPERATION



- h. Ensure temporary transport lock pin is in storage location.



WARNING

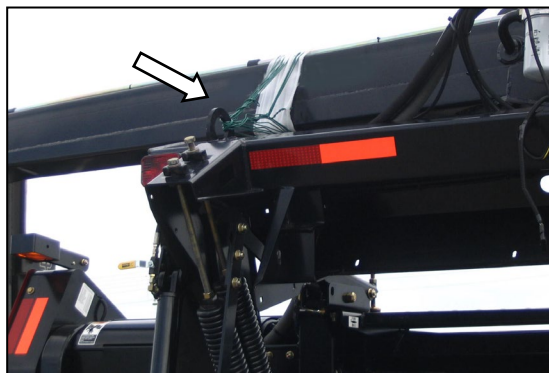
To avoid tipping over, the header must be resting on the ground prior to swinging the APT.



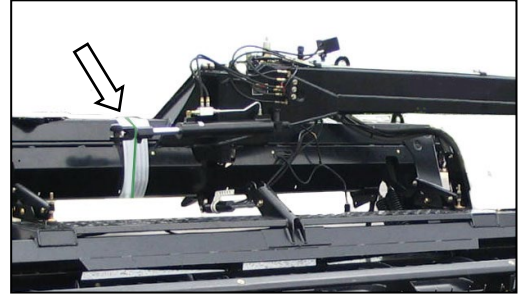
- i. Swing APT to the left as far as possible without damaging hydraulic lines.

IMPORTANT

The APT must not widen the shipping package.



- j. Secure APT to frame hook to prevent movement. Use cardboard or suitable material under the tie to protect paint.



- k. Secure the steering cylinder to the frame with wire. Wrap tie around clevis and use cardboard or suitable material under the tie to protect paint on the frame.



CAUTION

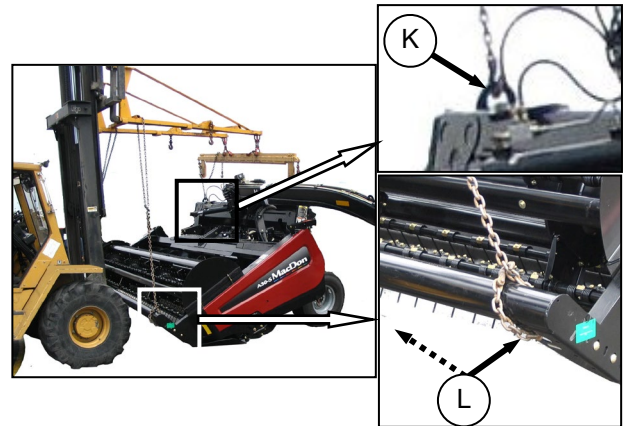
Equipment used for unloading must meet or exceed the requirements specified below. Using inadequate equipment may result in chain breakage, vehicle tipping or machine damage.

Lifting Vehicle:

Minimum Lifting Capacity: 8500 lb (3865 kg)
 Minimum Lifting Height: 15 ft. (4.5 m)

Chain

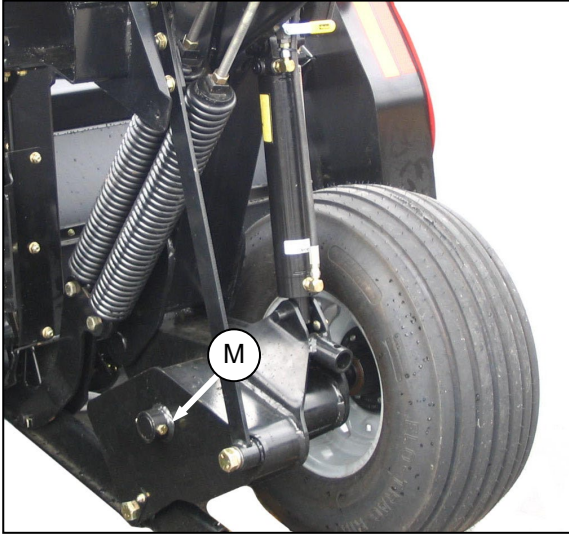
Type: Overhead Lifting Quality (1/2 in.)
 Minimum Working Load: 5000 lb (2270 kg)



- l. Attach a chain to each frame hook (K) and a chain to each end of the lean bar at (L). Chain must pass through hole at end of lean bar.
- m. Position forklift from either front or back of mower conditioner and lift slightly off the ground.

(continued next page)

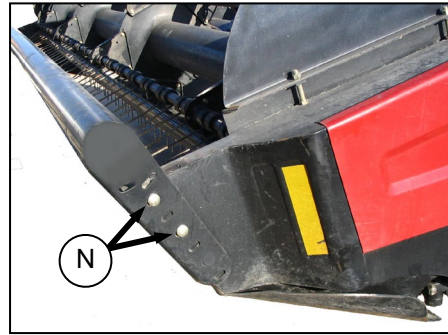
OPERATION



- n. Remove the wheels by removing bolt (M) and pulling wheel/axle assembly from frame.



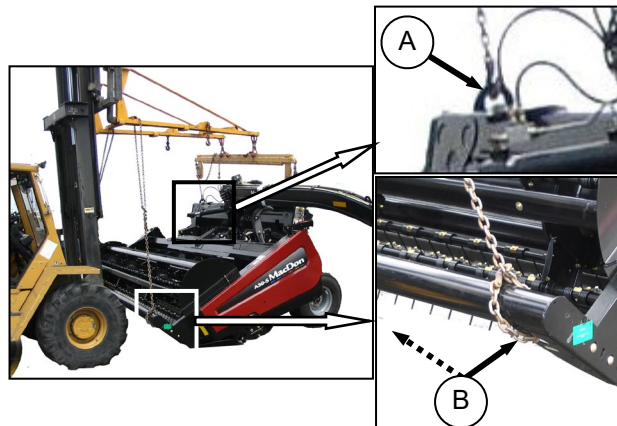
- o. Lift mower conditioner and back the flatbed trailer under the unit. The mower conditioner can be positioned with the APT towards the front or rear of the flatbed.
- p. Lower mower conditioner onto flatbed so its weight rests on the frame and sloped edge of header end panels, or cutterbar as shown.



- q. Remove four bolts (N) and remove the lean bar to minimize load width. Secure the lean bar to the flatbed.
- r. Tie the unit and the end of the APT down securely.

6.8.3.2 Unloading – Pull-Type

- a. Remove tie downs.
- b. Install lean bar onto mower conditioner with four bolts (N).



- c. Attach a chain to each frame hook (A) and a chain to each end of the lean bar at (B). Chain must pass through hole at end of lean bar.



CAUTION

Equipment used for unloading must meet or exceed the requirements specified below. Using inadequate equipment may result in chain breakage, vehicle tipping or machine damage.

Lifting Vehicle:

Minimum Lifting Capacity: 8500 lb (3865 kg)
Minimum Lifting Height: 15 ft. (4.5 m)

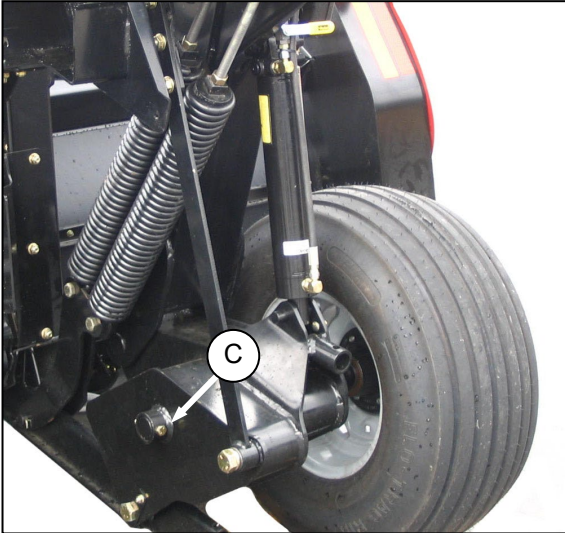
Chain

Type: Overhead Lifting Quality (1/2 in.)
Minimum Working Load: 5000 lb (2270 kg)

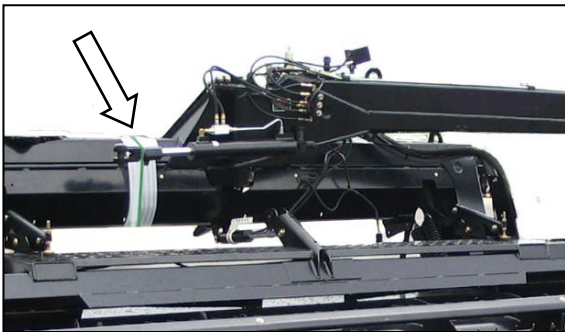
(continued next page)

OPERATION

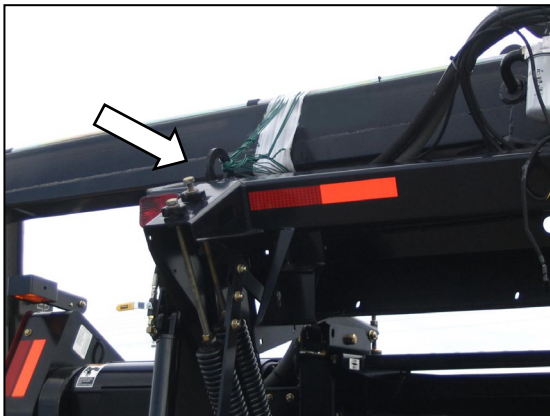
- d. Position forklift from either front or back of mower conditioner, lift slightly off the flatbed, and move flatbed from beneath mower conditioner.



- e. Lower mower conditioner and install wheel/axle assemblies onto mower conditioner. Secure axle to frame with bolt (C) and tighten to required torque..
- f. Lower mower conditioner to ground and remove lifting chains.



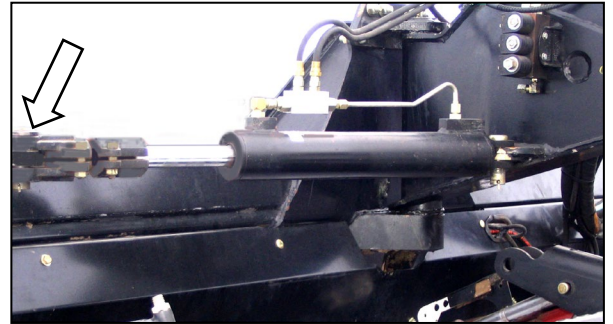
- g. Remove tie securing steering cylinder to frame.



- h. Remove tie securing APT to frame.



- i. Swing APT to working position.



- j. Attach steering cylinder rod end to frame.
- k. Install rear forming shields using reverse order of step f in Section 6.8.3.1.



- l. Move lift cylinder lock out valve handles to vertical position.

OPERATION

6.9 BREAK-IN PERIOD

- a. After attaching header/mower conditioner to windrower/tractor for the first time, operate the machine slowly for 5 minutes, watching and listening FROM THE TRACTOR/WINDROWER SEAT for binding or interfering parts.

NOTE

Until you become familiar with the sound and feel of your new header/mower conditioner, be extra alert and attentive.



CAUTION

Before investigating an unusual sound or attempting to correct a problem, shut off tractor/windrower, engage parking brake and remove key.

- b. Perform the items specified in 7.17.1.1 Break-In Inspection – SP, or 7.17.2.1 Break-In Inspection - PT.

6.10 PRE-SEASON CHECK

Perform the following the beginning of each operating season:



CAUTION

- Review the Operator's Manual to refresh your memory on safety and operating recommendations.
 - Review all safety signs and other decals on the mower conditioner and note hazard areas.
 - Be sure all shields and guards are properly installed and secured. Never alter or remove safety equipment.
 - Be sure you understand and have practiced safe use of all controls. Know the capacity and operating characteristics of the machine.
 - Check the first aid kit and fire extinguisher. Know where they are and how to use them.
- a. Adjust tension on drive belts. Refer to Section 7.8, Sickle and Sickle Drive, Section 7.9, Reel and Reel Drive, Section 7.11, Auger and Auger Drive.
 - b. Lubricate chains and adjust tensions. Refer to Section 7.6.2, Oiling, and Section 7.9.1, Reel Drive Chain, and Section 7.11, Auger and Auger Drive.
 - c. Check tire pressure and adjust as required. See Section 7.14.4 Tire Inflation.

- d. Perform all annual maintenance. See Section 7.17, Maintenance Schedule.

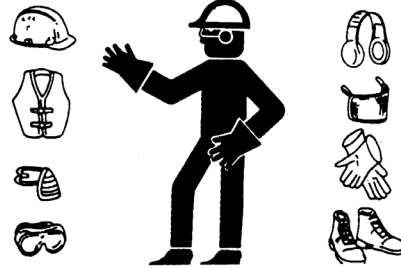
6.11 DAILY START-UP CHECK

Do the following each day before start-up:



CAUTION

- Be sure tractor/windrower and mower conditioner/header are properly attached, all controls are in neutral and tractor/windrower brake is engaged.
- Clear the area of other persons, pets etc. Keep children away from machinery. Walk around the windrower/mower conditioner to be sure no one is under, on or close to it.
- Wear close fitting clothing and protective shoes with slip resistant soles.
- Remove foreign objects from the machine and surrounding area.
- As well, carry with you any protective clothing and personal safety devices that **COULD** be necessary through the day. Don't take chances.



- You may need:
 - - a hard hat
 - - protective glasses or goggles
 - - heavy gloves
 - - respirator or filter mask
 - - wet weather gear
- Protect against noise. Wear a suitable hearing protective device such as ear muffs or ear plugs to protect against objectionable or uncomfortable loud noises.



- a. Check the machine for leaks or any parts that are missing, broken, or not working correctly.

NOTE:

Use proper procedure when searching for pressurized fluid leaks. Refer to Section 7.7.3 Hoses and Lines.

- b. Clean all lights and reflective surfaces on the machine. Check lights for proper operation.

OPERATION

- c. Perform all Daily maintenance. Refer to Section 7.17, Maintenance Schedule.

6.12 SHUTDOWN PROCEDURE



CAUTION

Before leaving the tractor/windrower seat for any reason:

- Park on level ground if possible.
- Lower the header/mower conditioner fully.
- Place all controls in NEUTRAL or PARK.
- Disengage PTO.
- Engage the park brake.
- Stop engine and remove key from ignition.
- Wait for all movement to stop.
- Lock tractor/windrower anti-vandalism covers and closures when leaving the machine unattended.

6.13 ENGAGING THE PTO – PULL-TYPE



DANGER

Be sure all bystanders are clear of the machine before engaging the PTO. Never leave tractor seat with the PTO engaged.

- a. Engage the PTO slowly, just before the mower conditioner is moved up to the standing crop.
- b. Be sure tractor PTO is running at correct rpm before starting to cut. (540 or 1000, as equipped.)
- c. Disengage the PTO when not operating the mower conditioner.

6.14 LIFT CYLINDER LOCK-OUTS



WARNING

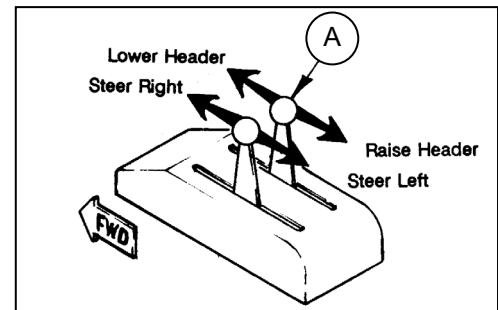
To avoid bodily injury or death from fall of raised machine, always lock-out lift cylinders before going under mower conditioner for any reason.

6.14.1 Self-Propelled

Refer to M100, or M150 & M200 Self-Propelled Windrower Operator's Manual for details on the lift cylinder locks.

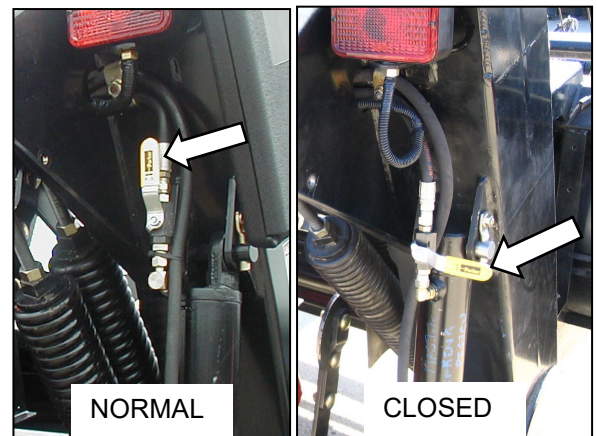
6.14.2 Pull-Type

- a. Raise machine to maximum height by activating remote cylinder control valve in tractor.



IMPORTANT

Hoses should be connected so that moving control lever (A) backward raises the header.

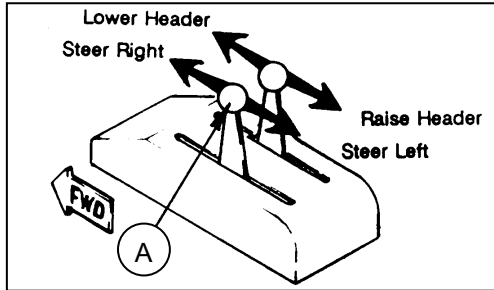


- b. Close the lock-out valve on each lift cylinder by turning the handle to the horizontal position.
- c. To return to normal operation turn the handle on the lock-out valves to the vertical position.

OPERATION

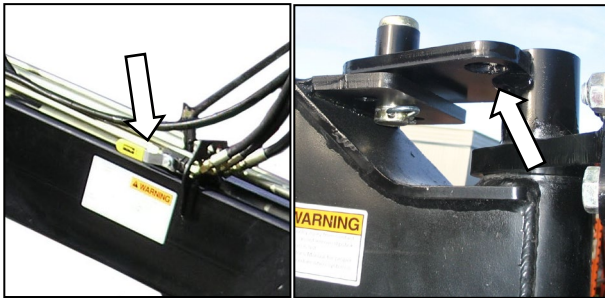
6.15 STEERING – PULL-TYPE

Steering the mower conditioner is controlled by the tractor remote hydraulic system. This steering system allows the mower conditioner to follow directly behind the tractor, make a full cut to either side, or any position in between.



IMPORTANT

Hoses should be connected so that moving tractor control lever (A) forward steers the machine to the right and moving the lever (A) backward steers the mower conditioner left.



IMPORTANT

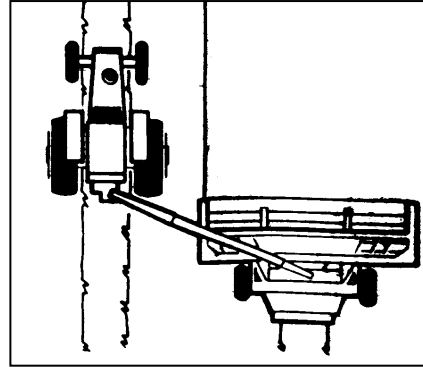
To allow APT to swing, the valve on the APT must be in the working or open position (handle in line with APT), and the temporary transport lock pin must be in the storage location.

The centre pivot provides the operator the opportunity to move the mower conditioner into field position easily, allows right angle turns in either direction, steering around objects on both sides and straight line field cutting on either side of the tractor.

The control is operated momentarily for steering and must be returned to OFF or NEUTRAL position as soon as the mower conditioner reaches the desired path of travel.

6.15.1 Right Side Operation – Pull-Type

Move steering lever forward to achieve desired position of mower conditioner on right side of tractor.



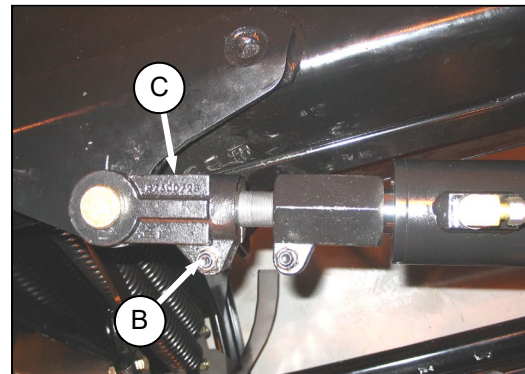
To adjust tracking of mower conditioner during right side operation, the steering cylinder clevis can be repositioned:



CAUTION

Stop engine and remove key from ignition before leaving operator's seat for any reason. A child or even a pet could engage an idling machine.

- Shutdown the tractor and remove the key.
- Loosen clamping bolt (B) on clevis (C).



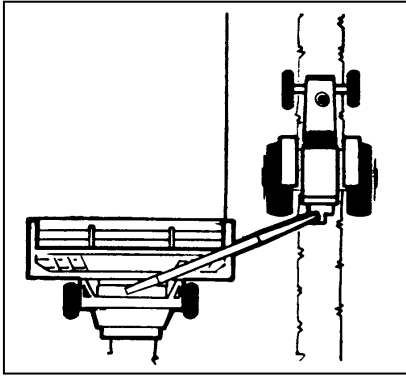
- Using a wrench on the stroke control (B), rotate cylinder rod so that the clevis moves away from or closer to the cylinder. Each turn of the rod changes the tracking by approximately 2 in.

DESIRED TRACK	CYLINDER EXTENSION	CLEVIS POSITION
Further RIGHT	Increase	Clevis (C) Further From Cylinder
Further LEFT	Decrease	Clevis (C) Closer To Cylinder

- Tighten clamping bolt to 65 ft-lbf (90 N-m).
- Re-check torque on clamping bolt after 1 hour and every 100 hours thereafter.

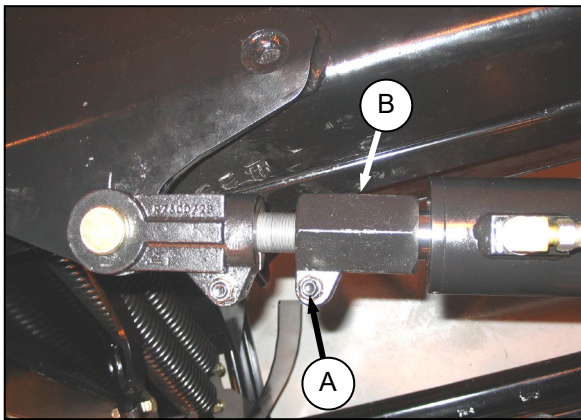
OPERATION

6.15.2 LH Side Operation – Pull-Type



Move steering lever backward to achieve desired position of mower conditioner on LH side of tractor.

To adjust tracking of mower conditioner during LH side operation, the steering cylinder stroke control can be repositioned:



- Loosen clamping bolt (A) on stroke control (B) and rotate stroke control to desired position. Each turn of the stroke control changes the tracking by approximately 2 in.

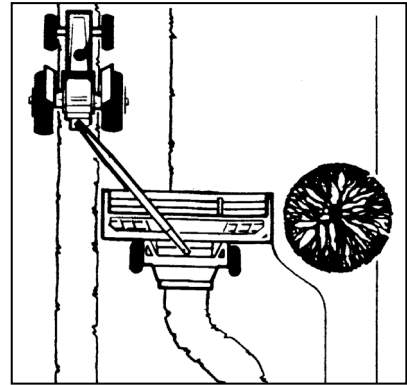
DESIRED TRACK	CYLINDER STROKE	STROKE CONTROL POSITION
Further LEFT	Decrease	Rotate Stroke Control (B) Away From Clevis.
Further RIGHT	Increase	Rotate Stroke Control (B) Towards Clevis.

- Tighten clamping bolt to 65 ft·lbf (90 N·m).
- Re-check torque on clamping bolt after 1 hour and every 100 hours thereafter.

IMPORTANT

The adjustment for right side operation must be done prior to adjustment for LH side operation.

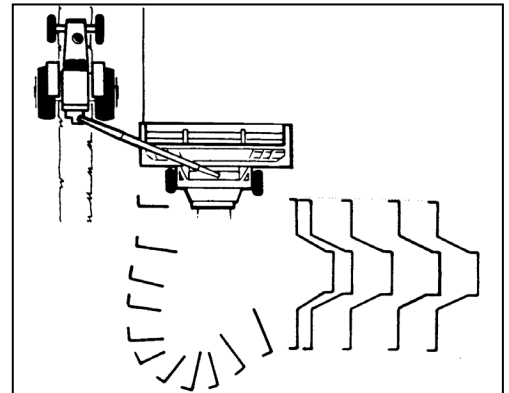
6.15.3 Avoiding Obstacles



Move steering lever as required to avoid obstacles.

6.15.4 Square Corners

The following procedure is intended only as a guide to developing a turning procedure for the tractor being used. Specific distances are not given due to the variances in tractor manoeuvrability.



- As the tractor approaches the corner, guide the tractor sharply away from the crop. Steer the mower conditioner to maintain a straight cut ahead as the tractor moves away from the crop.
- As soon as the sickle cuts past where the new corner will be, raise the header sufficiently for skid shoes to clear the ground, then steer the mower conditioner to the extreme direction away from the uncut crop.
- As the tractor passes the corner, steer it sharply back towards the uncut crop, taking care that the inside tractor tire does not contact the mower conditioner APT.
- Guide the tractor to straddle the last cut windrow. As the mower conditioner finishes turning, steer it back towards the uncut crop, align the header with the crop edge and lower header to cutting height.

OPERATION

6.15.5 180 Degree Turn

NOTE

When cutting back and forth on one side of the field, approximately 50 ft. (15 m) is required at each end of the field to make a 180 degree turn-around.

Refer to illustration and proceed as follows:

- Beginning at position (A), the tractor is guided away from the uncut crop while the mower conditioner is guided straight ahead until cutting through the end.
- As soon as the sickle cuts through, raise the header to lift the skid shoes clear of the ground, and steer the mower conditioner to the extreme direction away from the uncut crop.

NOTE

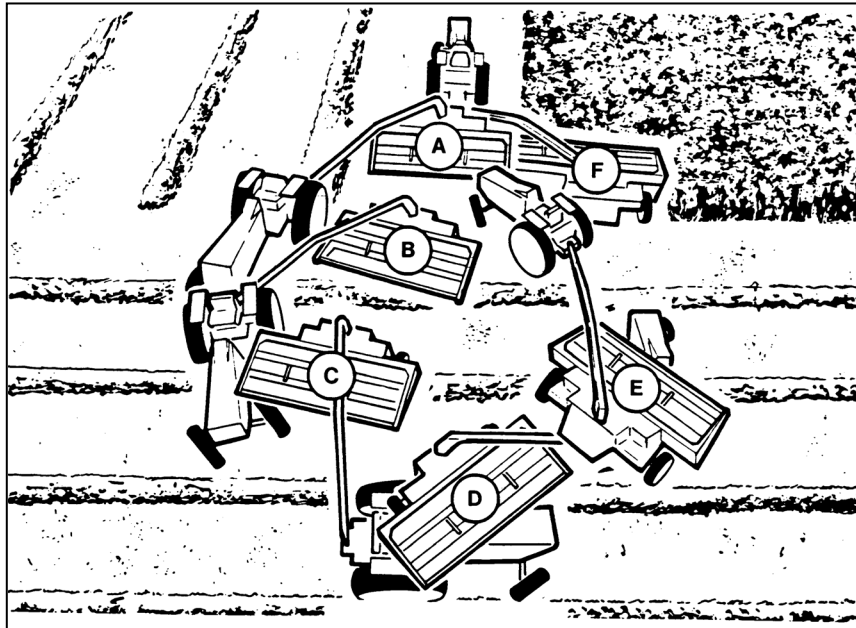
For ease of operation, both levers can be activated with one hand and held until steering cylinder completes its stroke.

- At position (B), start turning the tractor back towards the uncut crop.

IMPORTANT

When turning, take care that the inside tractor tire does not contact APT of mower conditioner.

- In positions (C) and (D), continue turning towards the uncut crop, (with the mower conditioner steered towards the outside of the turning circle), being aware of APT-to-tire clearance.
- At position (E), the tractor completes the circle and the front wheels are turned to straddle the last cut windrow. At this point, steer the mower conditioner to line up with the edge of the uncut crop.
- At position (F), lower header to cutting height and begin a new cut through the field.



OPERATION

6.16 UNPLUGGING THE HEADER/MOWER CONDITIONER

6.16.1 Unplugging Conditioner – Pull Type



WARNING

Stop tractor engine and remove key before removing plugged material from mower conditioner. A child or even a pet could engage the drive.

- Stop forward movement of the tractor and stop the PTO.
- Raise the machine and slowly engage the PTO.

NOTE

Raising the mower conditioner automatically raises the top roll to ease plug removal.

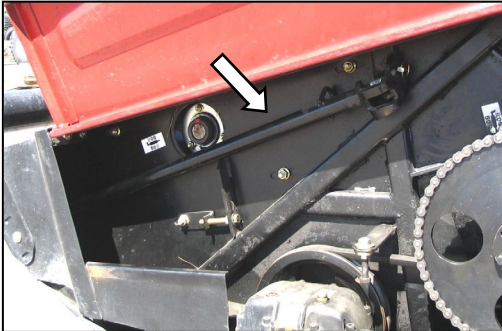
- If plug does not clear: with machine still raised, shut off engine, remove key and lock tractor brakes.
- Engage lift cylinder lock-out valves.



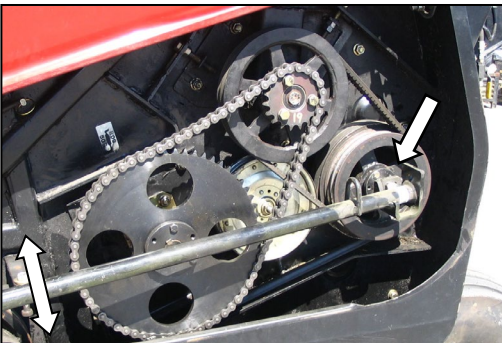
WARNING

Wear heavy gloves when working around sickle.

- Clean off cutterbar and area under reel by hand.



- Retrieve wrench from storage inside the LH



- drive compartment.
- Use wrench on LH end of primary drive shaft to turn rolls forward until plug clears.
- Return wrench to storage location and secure in place with pin.



WARNING

Return unplug wrench to storage location and close LH drive shield before restarting machine.

NOTE

If plugging persists, see Section 8, Troubleshooting.

6.16.2 Unplugging Conditioner – Self-Propelled A30-S, A30-D.

Reverse the header drive. Refer to M150 & M200 Self-Propelled Windrower Operator's Manual for procedures on reversing the header drive.

6.16.3 Unplugging Sickle

- Stop forward movement of the windrower and shutdown the header.
- Lift the cutterbar about 12 in. (300 mm).
- Back up about 3 feet (1 metre) while slowly engaging the header.
- If the plug does not clear; raise machine, apply windrower brake, shut off engine, and remove key.



WARNING

Stop windrower engine and remove key before removing plugged material from header. A child or even a pet could engage the drive.

- Engage lift cylinder lock-outs.



WARNING

Wear heavy gloves when working around sickle.

- Clean off cutterbar by hand.

NOTE

If sickle plugging persists, see Section 8, Troubleshooting.

OPERATION

6.17 HEADER OPERATION

Satisfactory function of the windrower in all situations requires making proper adjustments to suit various crops and conditions.

Correct operation reduces crop loss and allows cutting of more acres. As well, proper adjustments and timely maintenance will increase the length of service you receive from the machine.

The variables listed below and detailed on the following pages will affect the performance of the windrower. You will quickly become adept at adjusting the machine to give you the desired results.

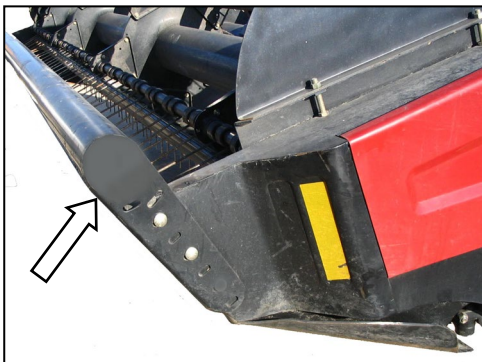
VARIABLE	SECTION
Lean Bar Position	6.17.1
Auger Speed	6.17.2
Reel Speed	6.17.3
Auger Position	6.17.4
Reel Position	6.17.5
Tine Aggressiveness	6.17.6
Cutting Height	6.17.7
Header Angle	6.17.8
Header Flotation	6.17.9
Feed Pan / Rock Drop Tine Position	6.17.10
Roll Gap/Timing/Alignment	6.17.11
Roll Tension	6.17.12
Forming Shields	6.17.13
Ground Speed	6.17.14

To extend or retract lean bar, re-position hardware in adjustment holes as required. Refer to illustration.

6.17.1 Lean Bar Position

IMPORTANT

To prevent structural damage to the header, do not operate with lean bar removed.



Use the lean bar adjustment to accommodate different crop heights.

The lean bar should strike the upper portion of the crop, leaning it away from the header and exposing the stalks to the sickle.

OPERATION

6.17.2 Auger Speed

The auger speed must be high enough to carry the crop into the conditioner and yet not throw it out. In light crops, a lower throttle setting on the tractor/windrower will slow down the header/mower conditioner operating speed and help to prevent carryover.

6.17.2.1 Auger Speed, A30-S and A30-D

The A30 auger speed is fixed to the engine rpm and an optional 19 tooth drive sprocket provides lower auger speeds.

Refer to Section 5 SPECIFICATIONS for available auger speeds at rated tractor/windrower RPM.

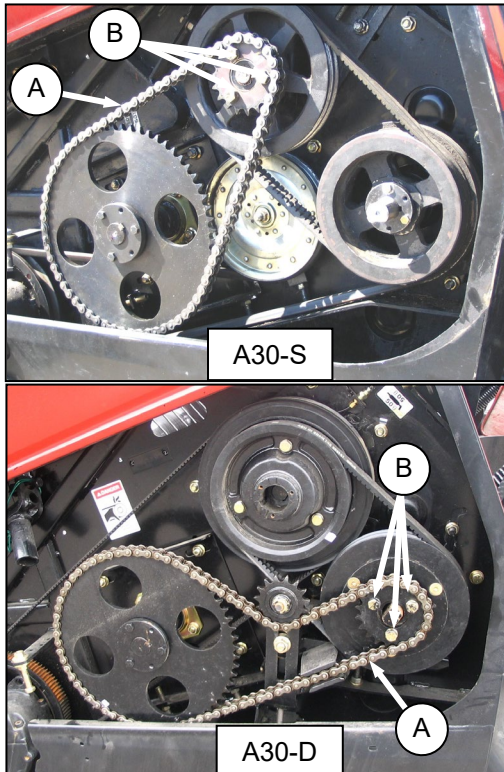
Change auger drive sprockets as follows:



CAUTION

Stop engine and remove key from ignition before leaving operator's seat for any reason. A child or even a pet could engage an idling machine.

- a. Remove auger drive chain (A). Refer to Section 7.11, Auger and Auger Drive – A30-S & A30-D.



- b. Remove the three bolts (B) attaching sprocket to pulley and remove sprocket.

- c. Attach applicable sprocket to pulley with three bolts and torque to 75 ft·lbf (102 N·m).
- d. Replace auger drive chain (A). Refer to Section 7.11, Auger and Auger Drive – A30-S & A30-D.

6.17.2.2 Auger Speed, A40-D

The A40-D auger header features a hydraulic direct drive auger with operating speed range of 230 to 320 rpm and is controlled from the operator's station on the self-propelled windrower. Refer to the M100 or M150 & M200 Self-Propelled Windrower Operator's Manual.

OPERATION

6.17.3 Reel Speed

For best feeding of the crop into the header/mower conditioner, the reel speed must be faster than ground speed. This gently sweeps material across the sickle into the auger. A slower reel speed will reduce crop carry-over, while a faster reel speed will result in a more even stubble height in down and tangled crops.

6.17.3.1 Reel Speed, A30-S and A30-D

The A30 reel speed is fixed to the engine rpm and auger speed. An optional 19 tooth drive sprocket provides lower reel speeds if necessary.

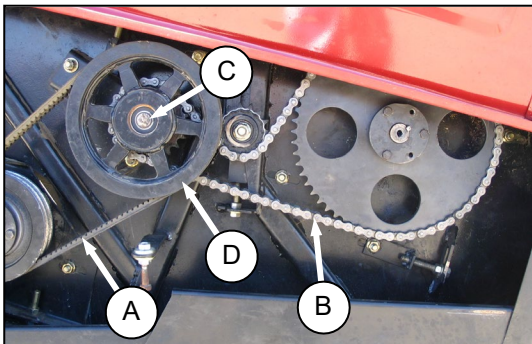
Refer to Section 5 SPECIFICATIONS for available reel speeds at rated tractor/windrower RPM.

Change auger drive sprockets, as follows:



CAUTION

Stop engine and remove key from ignition before leaving operator's seat for any reason. A child or even a pet could engage an idling machine.



- Remove reel drive belt (A) and reel drive chain (B) from drive sprocket. Refer to Sections 7.9.1, Reel Drive Chain - A30-S and A30-D and 7.9.2, Reel Drive Belts - A30-S and A30-D.
- Remove snap-ring (C) from pulley (D) and remove pulley.
- Remove the three bolts attaching sprocket to pulley and remove sprocket.
- Attach applicable sprocket to pulley with three bolts and torque to 75 ft·lbf (102 N·m).
- Replace pulley and install snap-ring.
- Replace reel drive chain and belt. Refer to Sections 7.9.1, Reel Drive Chain and 7.9.2, Reel Drive Belts.

6.17.3.2 Reel Speed, A40-D

The A40-D auger header features a hydraulic direct drive reel with operating speed range of 15 to 85 rpm (M150/M200), 15-50 (M100) and is controlled from the operator's station on the self-propelled windrower. Refer to the M100 or M150 & M200 Self-Propelled Windrower Operator's Manual.

OPERATION

6.17.4 Auger Position



CAUTION

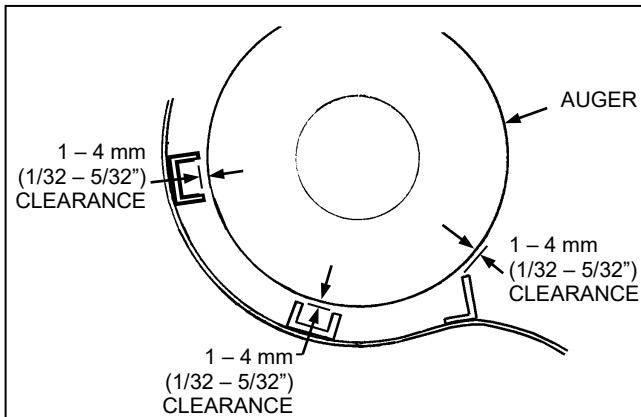
To avoid personal injury, before servicing header/mower conditioner or opening drive covers, follow procedures in Section 7.1, "Preparation for Servicing".

The auger position has been factory set and should not normally require adjustment. For nearly all conditions, the auger performs best when set as close as possible to the stripper bars without rubbing. This is especially important in grass and other crops which have a tendency to wrap. Component wear may cause clearances to become excessive, resulting in feeding problems and uneven windrows.

To make adjustments to auger position, refer to the following paragraphs 6.17.4.1 to 6.17.4.6.

NOTE

In heavier crops it may be necessary to remove the front stripper bar for smoother crop flow across the auger. Refer to Section 7.11.7, Stripper Bars.

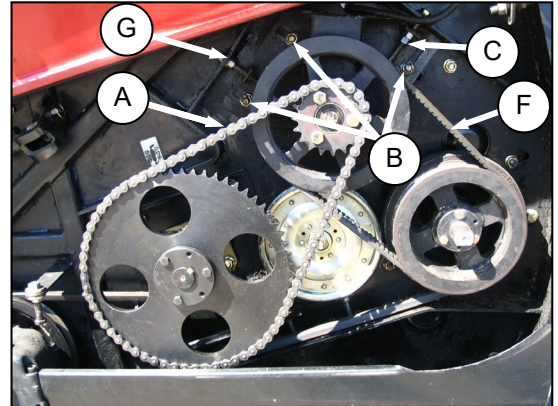


NOTE

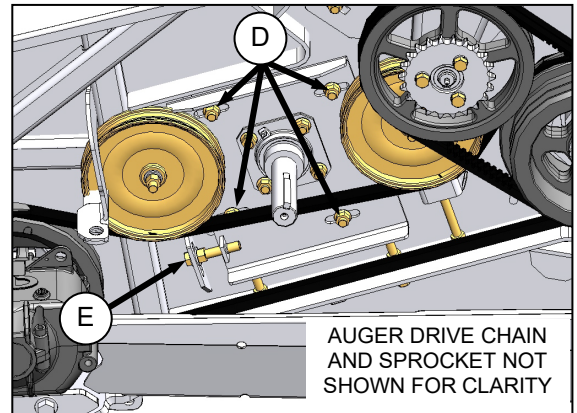
The auger should clear the stripper bars on the auger pan by approximately 1/32 - 5/32 in. (1 - 4 mm). Shimming the stripper bars may be required. Refer to Section 7.11.7, Stripper Bars.

6.17.4.1 Auger Fore-Aft Adjustment – A30-S

- Open LH end shield.
- Loosen auger drive chain (A) as follows:



- Loosen three bolts (B).
- Loosen jam-nut on adjuster bolt (C) and turn adjuster bolt (C) to loosen chain (A).

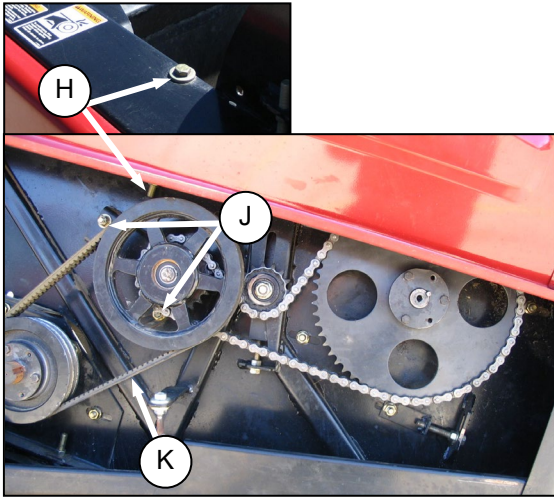


- Loosen the four nuts (D).
- Loosen jam-nut on adjuster bolt (E) and turn bolt (E) to adjust auger fore-aft position.
- Tighten jam-nut on bolt (E) and tighten nuts (D).
- Tighten auger drive chain as follows:
 - Turn adjuster bolt (C) to tighten chain (A). Deflection at (A) should be 1/4 in. (6 mm).
 - Tighten jam-nut on bolt (C).
- Check auger drive V-belt (F) tension. Each belt should deflect 3/16 in. (4 mm) at mid-span when a load of 8-12 lbf (35-40 N) is applied to each belt. If necessary, adjust as follows:
 - Loosen jam-nut on adjuster bolt (G).
 - Turn adjuster bolt (G) to achieve tension as per above.
 - Tighten jam-nut at (G).
- Tighten bolts (B).

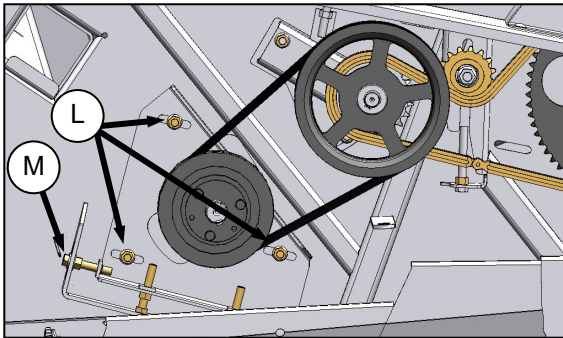
(continued next page)

OPERATION

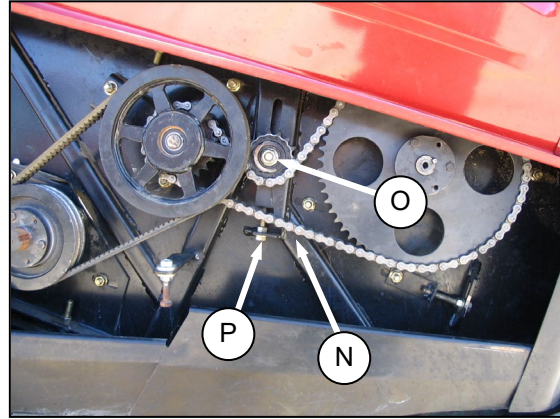
- i. Open RH end shield.
- j. Loosen reel drive belts as follows:



1. Loosen jam-nut on adjuster bolt (H) and nuts (J).
2. Turn adjuster bolt (H) to loosen reel drive belts (K).



- k. Loosen the three bolts (L).
- l. Loosen jam-nut on adjuster bolt (M) and turn bolt (M) to adjust auger fore-aft position.
- m. Tighten jam-nut and bolts (L).
- n. Tighten belts as follows:
 1. Turn adjuster bolt (H) to move pulley so that each belt (K) deflects 3/16 in. (4 mm) when a load of 8-12 lbf (35-40 N) is applied to each belt at mid-span.
 2. Tighten jam-nut on adjuster bolt (H) and nuts (J).



- o. Check reel drive chain tension. Total chain slack at (N) should be 1/4 in. (6 mm). If necessary, adjust as follows:
 1. Loosen bolt (O) on sprocket and jam-nut on adjuster bolt (P).
 2. Turn adjuster bolt (P) to move idler sprocket downward until chain slack is achieved as above.
 3. Rotate auger and check chain for slack at tightest point. Re-adjust position of idler sprocket to achieve required slack.
 4. Tighten jam-nut at (P) and nut (O) on sprocket. Recheck tension.
- p. Close shields before engaging header.

OPERATION

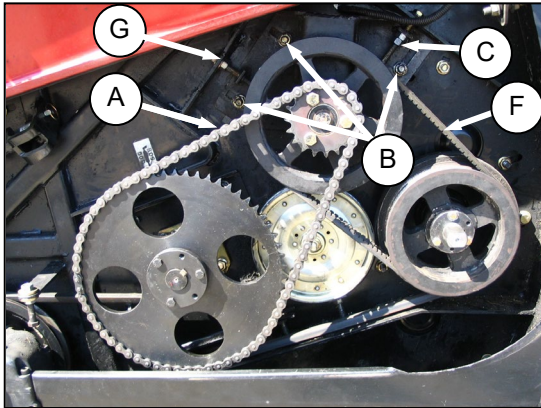
6.17.4.2 Auger Vertical Adjustment – A30-S



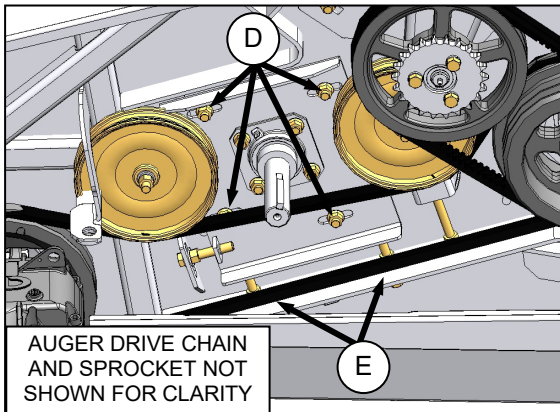
CAUTION

To prevent accidental movement of windrower, place all controls in neutral or in park, engage park brake (if applicable), shut off engine, and remove key.

- a. Open LH end shield.
- b. Loosen auger drive chain (A) as follows:

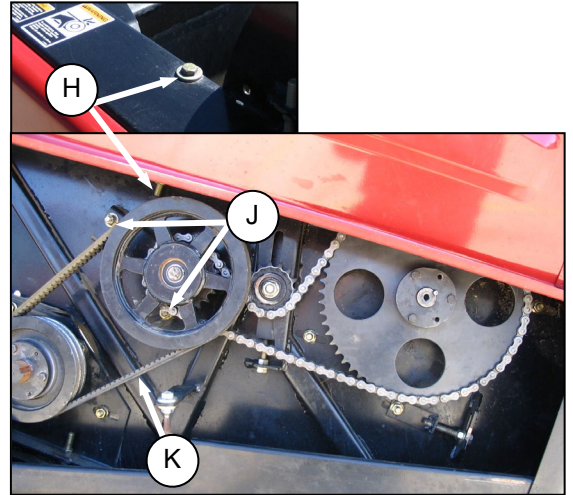


1. Loosen three bolts (B).
2. Loosen jam-nut on adjuster bolt (C) and turn adjuster bolt (C) to loosen chain (A).

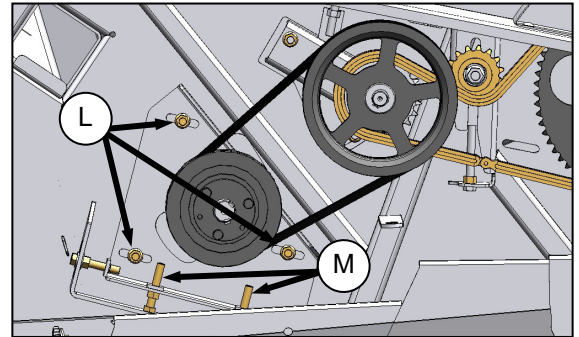


- c. Loosen the four nuts (D).
- d. Loosen jam-nuts on adjuster bolts (E) and turn bolts (E) to adjust auger vertical position.
- e. Tighten jam-nuts and nuts (D).
- f. Tighten auger drive chain (A) as follows:
 1. Turn adjuster bolt (C) to tighten chain (A). Deflection at (A) should be ¼ in. (6 mm).
 2. Tighten jam-nut on bolt (C).
- g. Check auger drive V-belt (F) tension. Each belt should deflect 3/16 in. (4 mm) at mid-span when a load of 8-12 lbf (35-40 N) is applied to each belt. If necessary, adjust as follows:
 1. Loosen jam-nut on adjuster bolt (G).

2. Turn adjuster bolt (G) to achieve tension as per above.
 3. Tighten jam-nut at (G) and tighten bolts (B).
- h. Open RH end shield.
 - i. Loosen reel drive belts (K) as follows:



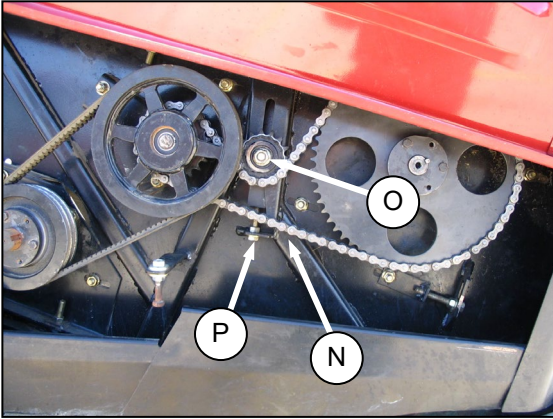
1. Loosen jam-nut on adjuster bolt (H) and nuts (J).
2. Turn adjuster bolt (H) to loosen reel drive belts (K).



- j. Loosen the three nuts (L).
- k. Loosen jam-nuts on adjuster bolts (M) and turn bolt (M) to adjust auger vertical position.
- l. Tighten jam-nuts and nuts (L).
- m. Tighten belts (K) as follows:
 1. Turn adjuster bolt (H) to move pulley so that each belt (K) deflects 3/16 in. (4 mm) when a load of 8-12 lbf (35-40 N) is applied to each belt at mid-span.
 2. Tighten jam-nut on adjuster bolt (H) and nuts (J).

(continued next page)

OPERATION



- n. Check reel drive chain tension. Total chain slack at (N) should be $\frac{1}{4}$ in. (6 mm). If necessary, adjust as follows:
 1. Loosen bolt (O) on sprocket and jam-nut on adjuster bolt (P).
 2. Turn adjuster bolt (P) to move idler sprocket downward until chain slack is achieved as above.
 3. Rotate auger and check chain for slack at tightest point. Re-adjust position of idler sprocket to achieve required slack.
 4. Tighten jam-nut at (P) and nut (O) on sprocket. Recheck tension.
- o. Close shields before engaging header.

OPERATION

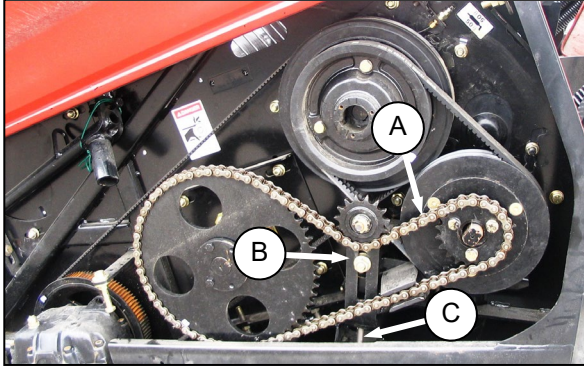
6.17.4.3 Auger Fore-Aft Adjustment – A30-D



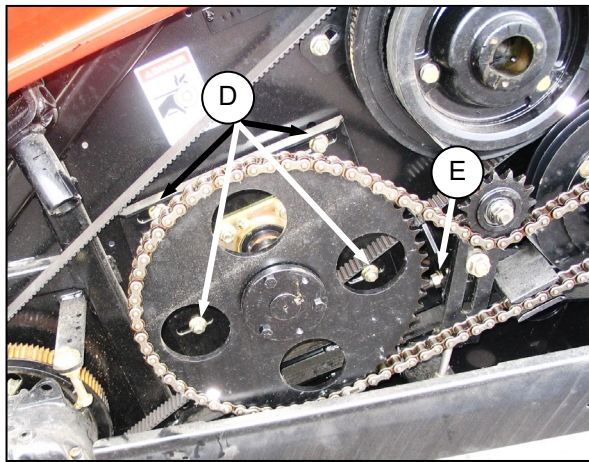
CAUTION

To prevent accidental movement of windrower, place all controls in neutral or in park, engage park brake (if applicable), shut off engine, and remove key.

- a. Open LH end shield.
- b. Loosen auger drive chain (A) as follows:

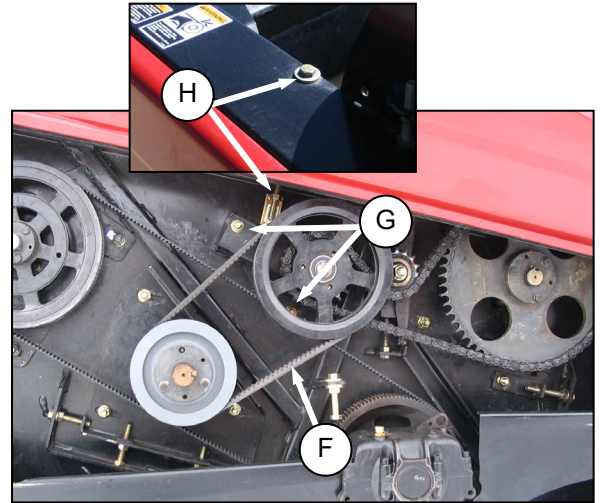


1. Loosen nut (B) on idler sprocket support.

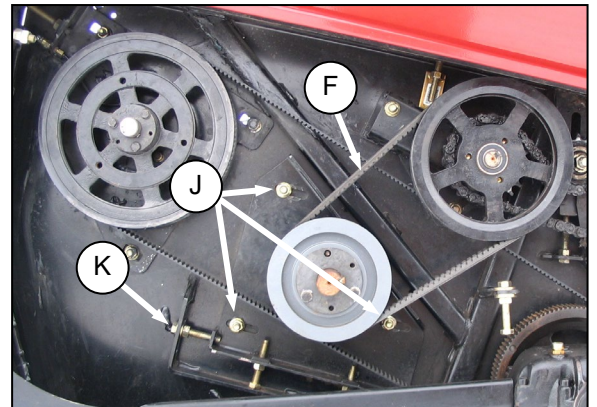


2. Turn adjuster bolt (C) to loosen chain (A).
- c. Loosen four nuts (D).
 - d. Loosen jam-nut on adjuster bolt (E) and turn adjuster bolt (E) to adjust auger fore-aft position.
 - e. Tighten jam-nut and four nuts (D).
 - f. Tighten auger drive chain (A) as follows:
 1. Turn adjuster bolt (C) to achieve ¼ in. (6 mm) slack at mid-span of chain (A).
 2. Tighten nut (B) on idler sprocket support.
 3. Rotate auger and check chain for slack at tightest point. Re-adjust position of idler sprocket to achieve required slack.

- g. Open RH end shield.
- h. Loosen reel drive belts (F) as follows:



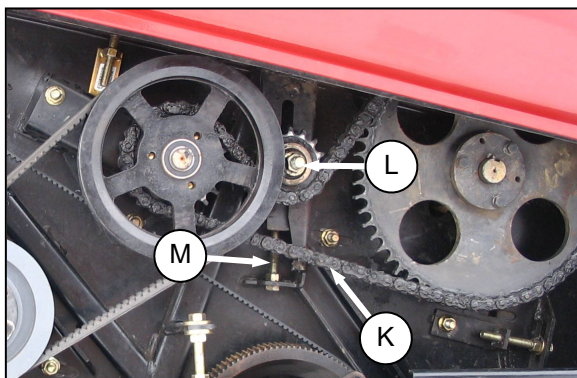
1. Loosen nuts (G).
2. Loosen jam-nut on adjuster bolt (H) and turn adjuster bolt (H) to loosen reel drive belts.



- i. Loosen nuts (J).
- j. Loosen jam-nut on adjuster bolt (K) and turn adjuster bolt (K) to adjust auger fore-aft position.
- k. Tighten nuts (J) and jam-nut.

(continued next page)

OPERATION



- I. Check reel drive chain tension. Total chain slack at (K) should be 1/4 in. (6 mm). If necessary, adjust as follows:
 1. Loosen bolt (L) on sprocket and jam-nut on adjuster bolt (M).
 2. Turn adjuster bolt (M) to move idler sprocket downward until chain slack is achieved as above.
 3. Rotate auger and check chain for slack at tightest point. Re-adjust position of idler sprocket to achieve required slack.
 4. Tighten jam-nut at (M) and nut (L) on sprocket. Recheck tension.
- m. Close shields before engaging header.

OPERATION

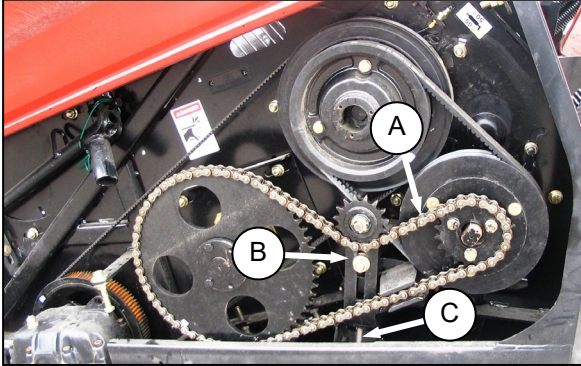
6.17.4.4 Auger Vertical Adjustment – A30-D



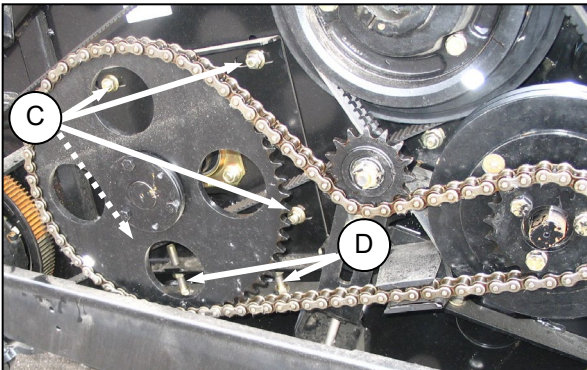
CAUTION

To prevent accidental movement of windrower, place all controls in neutral or in park, engage park brake (if applicable), shut off engine, and remove key.

- a. Open LH end shield.
- b. Loosen auger drive chain (A) as follows:

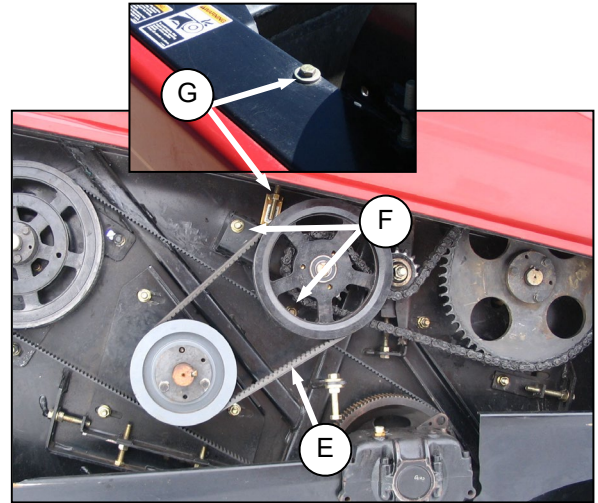


1. Loosen nut (B) on idler sprocket support.
2. Turn adjuster bolt (C) to loosen chain (A).

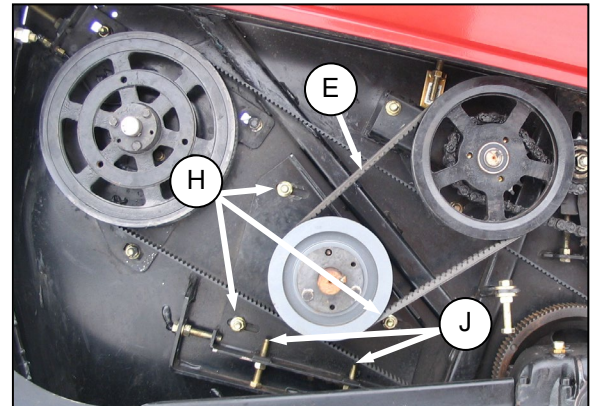


- c. Loosen four nuts (C).
- d. Loosen jam-nut on adjuster bolt (D) and turn adjuster bolt (D) to adjust auger vertical position.
- e. Tighten jam-nut and four nuts (C).
- f. Tighten auger drive chain (A) as follows:
 1. Turn adjuster bolt (C) to achieve ¼ in. (6 mm) slack at mid-span of chain (A).
 2. Tighten nut (B) on idler sprocket support.
 3. Rotate auger and check chain for slack at tightest point. Re-adjust position of idler sprocket to achieve required slack.

- g. Open RH end shield.
- h. Loosen reel drive belts (E) as follows:



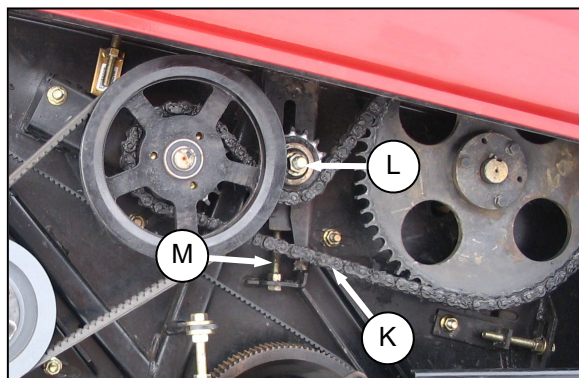
1. Loosen nuts (F).
2. Loosen jam-nut on adjuster bolt (G) and turn adjuster bolt (G) to loosen reel drive belts (E).



- i. Loosen nuts (H).
- j. Loosen jam-nuts on adjuster bolts (J) and turn adjuster bolts (J) to adjust auger vertical position.
- k. Tighten nuts (H) and jam-nuts.

(continued next page)

OPERATION



- I. Check reel drive chain tension. Total chain slack at (K) should be 1/4 in. (6 mm). If necessary, adjust as follows:
 1. Loosen bolt (L) on sprocket and jam-nut on adjuster bolt (M).
 2. Turn adjuster bolt (M) to move idler sprocket downward until chain slack is achieved as above.
 3. Rotate auger and check chain for slack at tightest point. Re-adjust position of idler sprocket to achieve required slack.
 4. Tighten jam-nut at (M) and nut (L) on sprocket. Recheck tension.
- m. Close shields before engaging header.

OPERATION

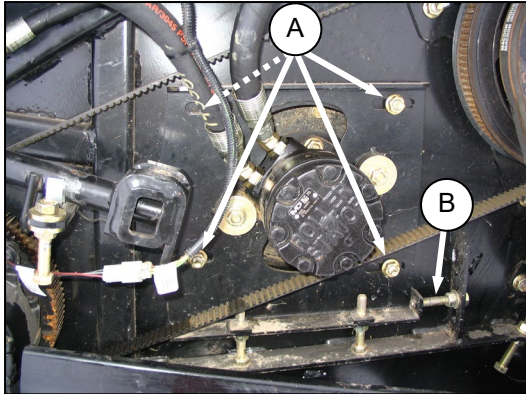
6.17.4.5 Auger Fore-Aft Adjustment – A40-D



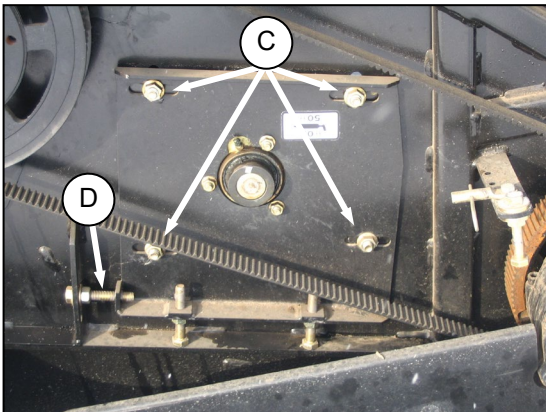
CAUTION

To prevent accidental movement of windrower, place all controls in neutral or in park, engage park brake (if applicable), shut off engine, and remove key.

- a. Open LH end shield.



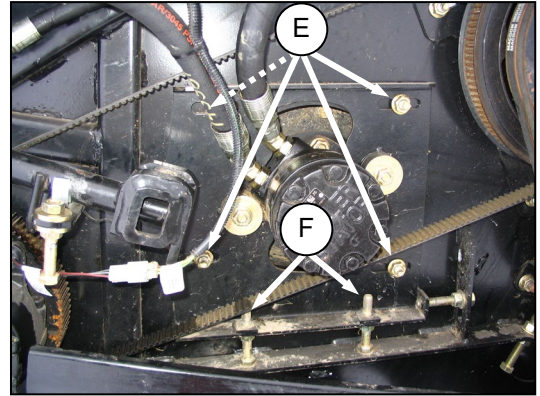
- b. Loosen the four nuts (A).
- c. Loosen jam-nut on adjuster bolt (B) and turn bolt (B) to adjust auger fore-aft position.
- d. Tighten jam-nut.
- e. Tighten nuts (A).
- f. Open RH end shield.



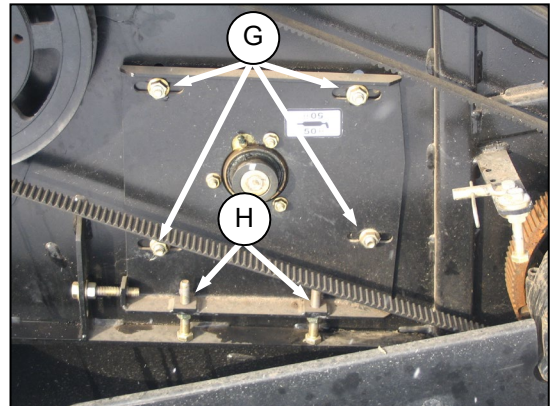
- g. Loosen the four nuts (C).
- h. Loosen jam-nut on adjuster bolt (D) and turn bolt (D) to adjust auger fore-aft position.
- i. Tighten jam-nut.
- j. Tighten nuts (C).
- k. Close shields before engaging header.

6.17.4.6 Auger Vertical Adjustment – A40-D

- a. Open LH end shield.



- b. Loosen the four nuts (E).
- c. Loosen jam-nuts on adjuster bolts (F) and turn bolts (B) to adjust auger vertical position.
- d. Tighten jam-nuts.
- e. Tighten nuts (E).
- f. Open RH end shield.



- g. Loosen the four nuts (G).
- h. Loosen jam-nuts on adjuster bolts (H) and turn bolts (H) to adjust auger vertical position.
- i. Tighten jam-nuts.
- j. Tighten nuts (G).
- k. Close shields before engaging header.

OPERATION

6.17.5 Reel Position

Reel position has been found to be a critical factor in achieving good results in adverse conditions. The reel position is factory set for average straight standing crop. It can be adjusted both vertically and horizontally (fore-aft) for different crop conditions. See the chart below for recommended reel position in unusual crop conditions.

REEL POSITION CHART

CROP CONDITION	REEL POSITION
Crop Down Or Lodged	Forward & Down (Also Increase Reel Speed)
Wet Or Dead Material Collects On Cutterbar And Plugs Sickles.	Back & Down (Close To Guards)
Short Crop	Back
Thick Stemmed Or Heavy Standing	Up And Forward

To make adjustments to reel position, refer to the following paragraphs 6.17.5.1 to 6.17.5.4.

6.17.5.1 Reel Fore-Aft Position - A30-S, A30-D

NOTE

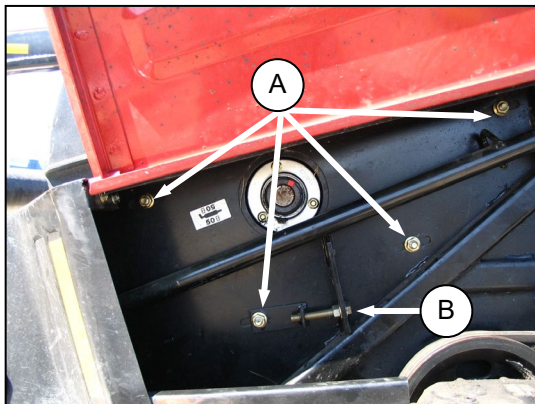
The reel must be adjusted equally on both sides.



CAUTION

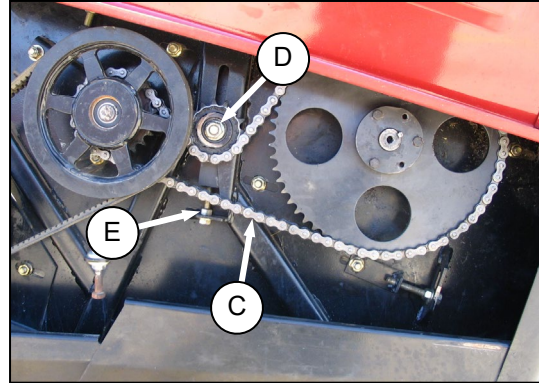
To prevent accidental movement of windrower, place all controls in neutral or in park, engage park brake (if applicable), shut off engine, and remove key.

- a. Open LH end shield.

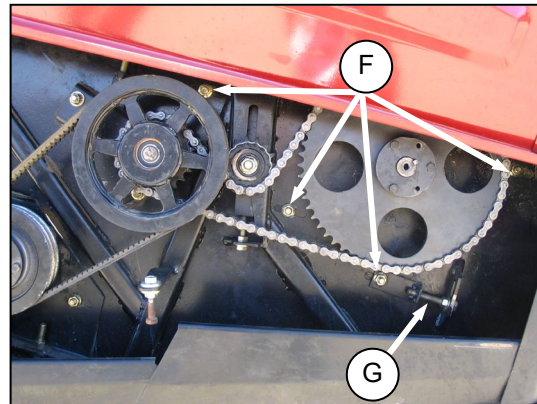


- b. Loosen the four nuts (A).
 c. Loosen jam-nut on adjuster bolt (B) and turn bolt (B) to adjust fore-aft position.
 d. Tighten jam-nut and four nuts (A).

- e. Open RH end shield.



- f. Loosen the reel drive chain (C) as follows:
 1. Loosen nut (D) on sprocket.
 2. Loosen jam-nut on adjuster bolt (E) and turn adjuster bolt (E) to loosen chain.
 g. Loosen the four nuts (F).



- h. Loosen jam-nut on adjuster bolt (G) and turn adjuster bolt to adjust reel fore-aft position.
 i. Tighten jam-nut and four nuts (F).
 j. Tighten the reel drive chain (C) as follows:
 1. Turn adjuster bolt (E) to tighten chain until total chain slack at (C) is 1/4 in. (6 mm).
 2. Tighten jam-nut at (E) and nut (D) and recheck tension.
 k. Close the shields before engaging the header.

OPERATION

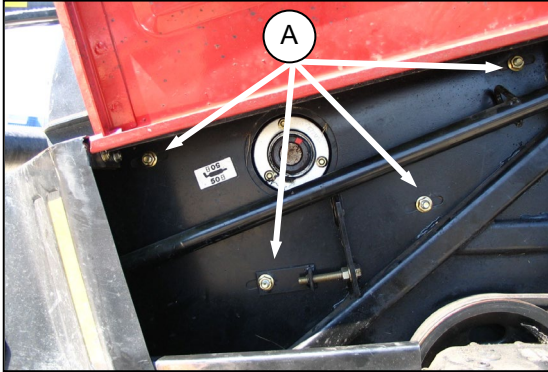
6.17.5.2 Reel Vertical Position - A30-S, A30-D



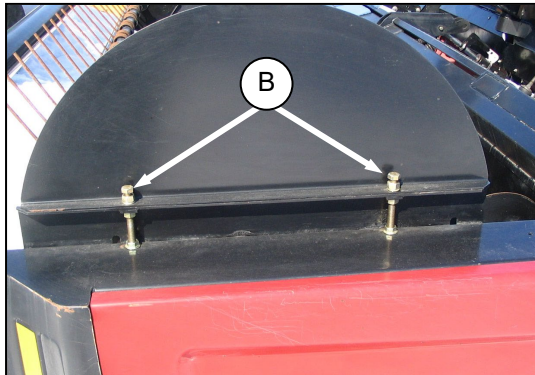
CAUTION

To prevent accidental movement of windrower, place all controls in neutral or in park, engage park brake (if applicable), shut off engine, and remove key.

- a. Open LH end shield.



- b. Loosen the four nuts (A).



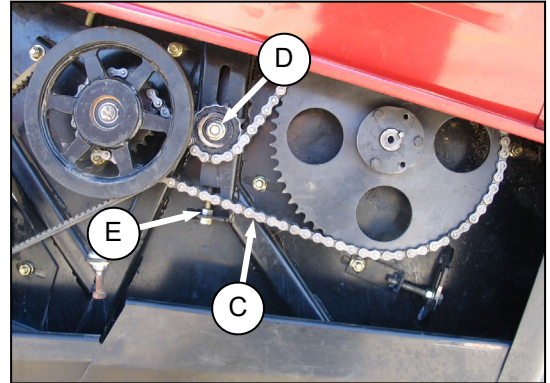
- c. Loosen jam-nuts on adjuster bolts (B) and turn bolts (B) to raise or lower reel.

NOTE

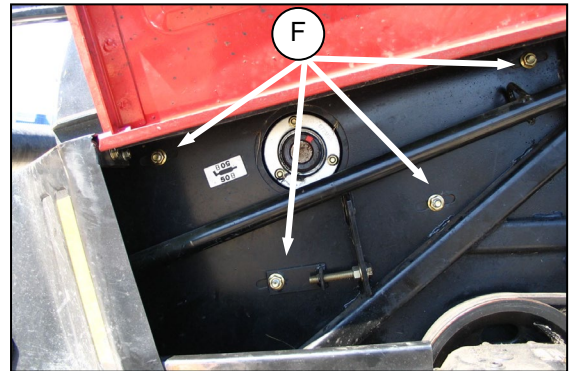
Adjustment at forward adjuster bolt should be 0.47 in. (12 mm) lower than at rear adjuster bolt.

- d. Tighten jam-nuts and nuts (A).

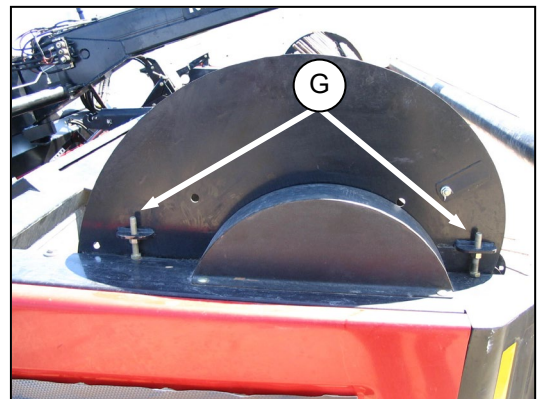
- e. Open RH end shield.



- f. Loosen the reel drive chain (C) as follows:
1. Loosen nut (D) on sprocket.
2. Loosen jam-nut on adjuster bolt (E) and turn adjuster bolt (E) to loosen chain.



- g. Loosen the four nuts (F).



- h. Loosen jam-nuts on adjuster bolts (G) and turn adjuster bolts to raise or lower reel.

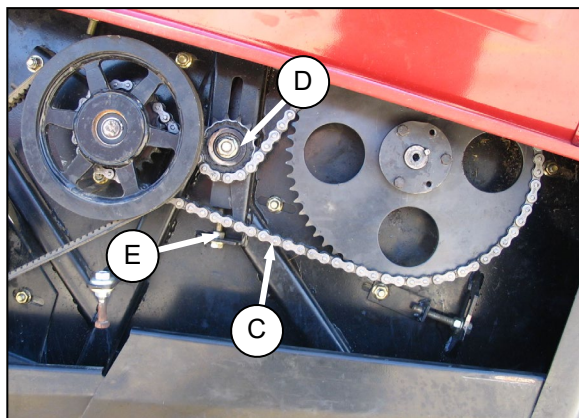
NOTE

Adjustment at forward adjuster bolt should be 0.47 in. (12 mm) lower than at rear adjuster bolt.

- i. Tighten jam-nuts and four nuts (F).

(continued next page)

OPERATION



- j. Tighten the reel drive chain (C) as follows:
 - 1. Turn adjuster bolt (E) to tighten chain until total chain slack at (C) is 1/4 in. (6 mm).
 - 2. Tighten jam-nut at (E) and nut (D) and recheck tension.
- k. Close shields before engaging the header.
- l. Check that the reel rotates freely.

IMPORTANT

Manually rotate reel and ensure that tines do not contact header pan, otherwise damage to pan will result. If necessary, grind off excessive length from tine if tine length varies considerably. Remove any sharp edges or burrs from tine.

- m. Check that the reel is evenly adjusted.

OPERATION

6.17.5.3 Reel Fore-Aft Position - A40-D

NOTE

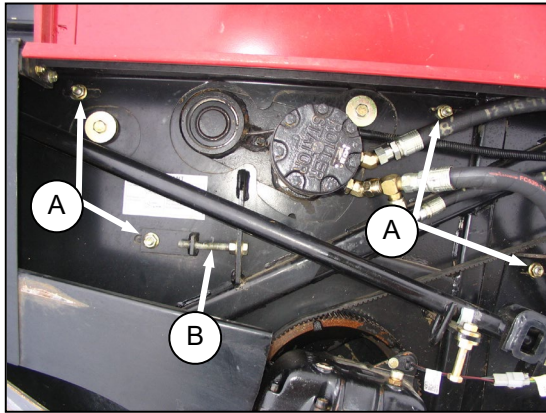
The reel must be adjusted equally on both sides.



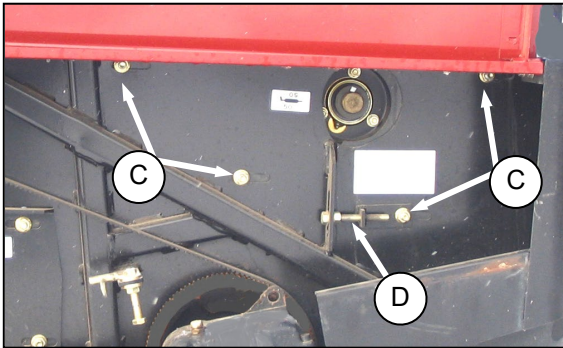
CAUTION

To prevent accidental movement of windrower, place all controls in neutral or in park, engage park brake (if applicable), shut off engine, and remove key.

- a. Open LH end shield.



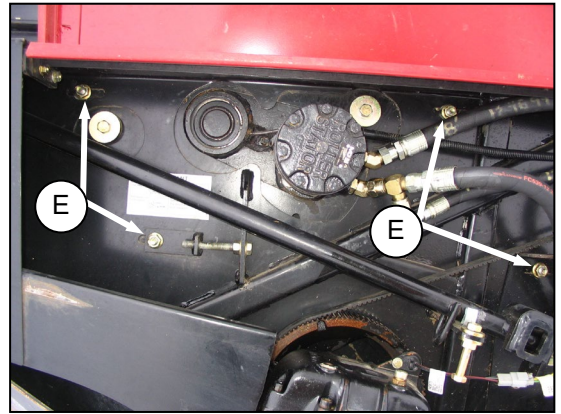
- b. Loosen the four nuts (A).
- c. Loosen jam-nut on adjuster bolt (B) and turn bolt (B) to adjust reel fore-aft position.
- d. Tighten jam-nut.
- e. Tighten nuts (A).
- f. Open RH end shield.



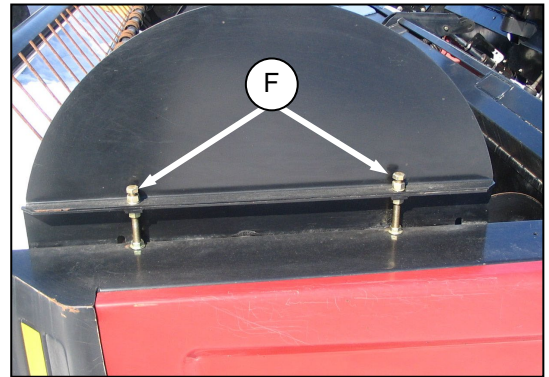
- g. Loosen the four nuts (C).
- h. Loosen jam-nut on adjuster bolt (D) and turn bolt (D) to adjust reel fore-aft position.
- i. Tighten jam-nut.
- j. Tighten nuts (C).
- k. Close drive shields before engaging header.

6.17.5.4 Reel Vertical Position - A40-D

- a. Open LH end shield.



- b. Loosen the four nuts (E).



- c. Loosen jam-nuts on adjuster bolts (F) and turn bolts (F) to raise or lower reel.

NOTE

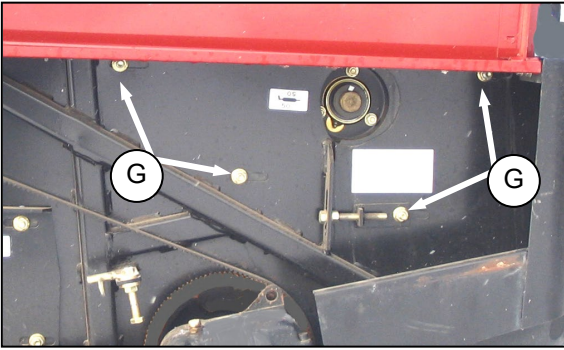
Adjustment at forward adjuster bolt should be 0.47 in. (12 mm) lower than at rear adjuster bolt.

- d. Tighten jam-nuts.
- e. Tighten nuts (E).

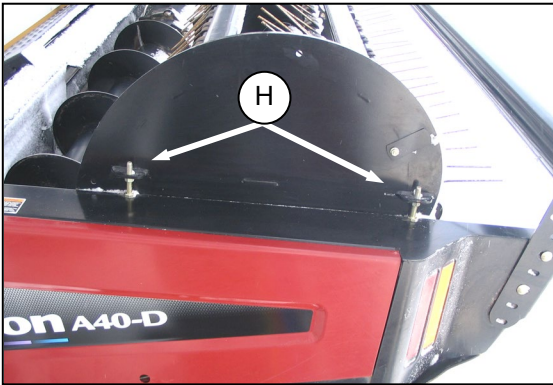
(continued next page)

OPERATION

- f. Open RH end shield.



- g. Loosen the four nuts (G).



- h. Loosen jam-nuts on adjuster bolts (H) and turn bolts (H) to adjust reel vertical position.
i. Tighten jam-nut.
j. Tighten nuts (G).
k. Close shields before engaging header.
l. Check that the reel rotates freely.

IMPORTANT

Manually rotate reel and ensure that tines do not contact header pan, otherwise damage to pan will result. If necessary, grind off excessive length from tine if tine length varies considerably. Remove any sharp edges or burrs from tine.

- m. Check that the reel is evenly adjusted.

OPERATION

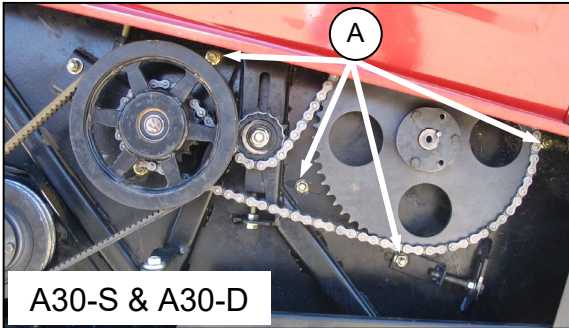
6.17.6 Tine Aggressiveness Adjustment



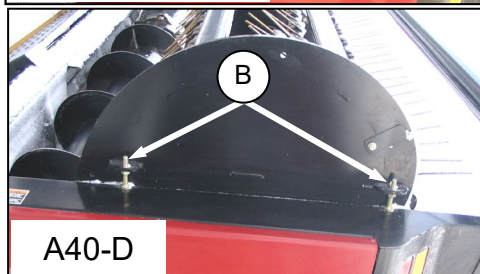
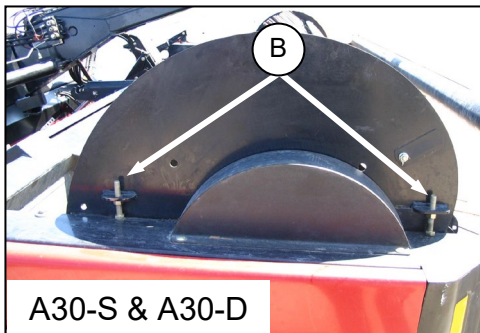
CAUTION

To prevent accidental movement of windrower, place all controls in neutral or in park, engage park brake (if applicable), shut off engine, and remove key.

- a. Open RH end shield.

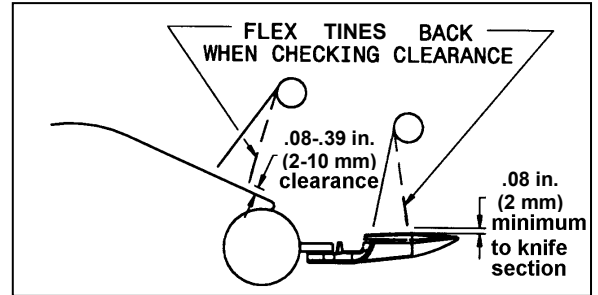


- b. At right side of reel (cam end) only, loosen four nuts (A).



- c. Loosen jam-nuts on bolts (B) and turn bolts to rotate cam to desired position. Viewed from right side, rotate cam clockwise to obtain more aggressive tine action.

- d. Tighten nuts (A) and jam-nuts on bolts (B).
- e. Check that chain and/or belt have not become over tight. Adjust to recommended tension if required. Refer to Sections 7.9.1, Reel Drive Chain and 7.9.2, Reel Drive Belts.



CHECK TINE CLEARANCE

- f. Rotate reel slowly by hand and check tine clearance at knife and pan. **Flex tines to simulate crop-loaded position to ensure tine clearances to knife sections and auger pan are adequate for working conditions.**

OPERATION

6.17.7 Cutting Height

Cutting height is controlled with a combination of skid shoes or gauge rollers, and header angle adjustment, not with the header lift cylinders. Having the header "ride" on the skid shoes allows the float linkage to float header over obstacles and follow ground contours, rather than supporting the header with the cylinder.

NOTE

Lowering the skid shoes or gauge rollers raises the cutting height. This may be desirable in stony conditions, to reduce damage to cutting components. Also, a longer stubble length helps material dry faster.

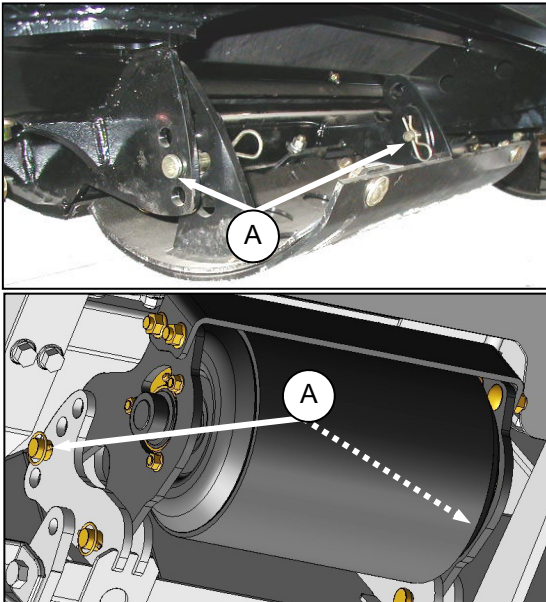


WARNING

To avoid bodily injury or death from unexpected start-up or fall of raised machine, stop engine, remove key and engage lift cylinder lockout valves before going under machine to adjust skid shoes or for any reason.

6.17.7.1 Cutting Height Adjustment:

- a. Raise header and engage lift cylinder lockouts.



- b. Remove pins (A) at each skid shoe or gauge roller.
- c. Raise or lower skid shoe or gauge roller to desired position.
- d. Replace pins (A).
- e. Check that skid shoes or gauge rollers are adjusted to the same position.

- f. Check header float and adjust if required. Refer to Section 6.17.9, Header Flotation.

NOTE

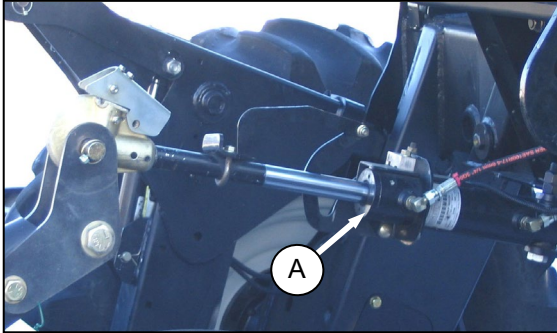
LH and RH skid shoes are standard equipment, and two more inner skid shoes may be added if required. A set of two gauge rollers may be installed in place of the outer skid shoes.

OPERATION

6.17.8 Header Angle

Header (or guard) angle can be varied from 8° to 16° below horizontal. Choose an angle that maximizes performance for your crop and field conditions. A flatter angle provides better clearance in stony conditions while a steeper angle is required in down crops for better lifting action.

6.17.8.1 Header Angle – Self-Propelled

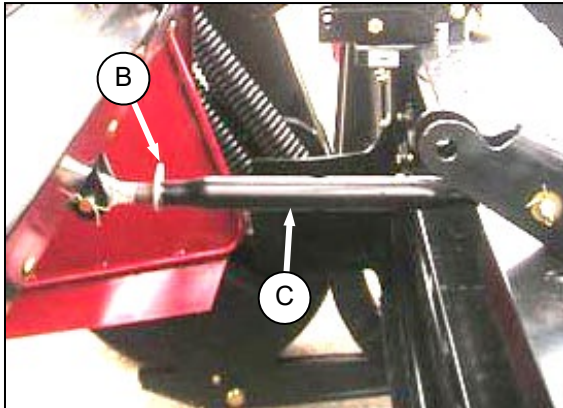


The header angle can be hydraulically adjusted from the cab using hydraulic cylinder (A) without shutting down the windrower. To adjust the angle, refer to the M100, or M150 & M200 Self-Propelled Windrower Operator's Manual.

6.17.8.2 Header Angle – Pull-Type

6.17.8.2.1 Mechanical Adjustment (if equipped)

- Lower header so that cutter bar is resting on the ground.

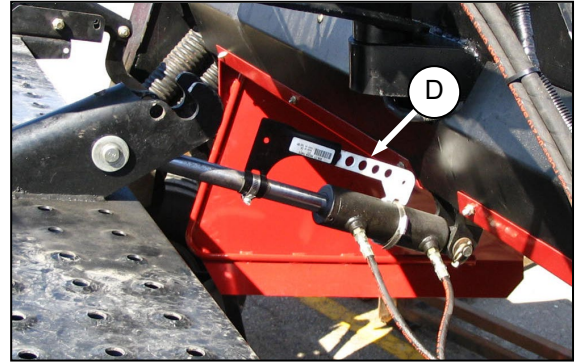


- Loosen nut (B).
- To decrease (flatten) header angle, rotate the turnbuckle sleeve (C) so that the turnbuckle decreases in length.
- To increase (steepen) header angle, rotate the turnbuckle sleeve (C) so that the turnbuckle increases in length.

- Snug up nut (B) but do not over tighten. A slight tap with a small hammer is sufficient.
- Check cutting height and adjust if required. Refer to Section 6.17.7, Cutting Height.
- Check header float and adjust if required. Refer to Section 6.17.9, Header Flotation.

6.17.8.2.2 Hydraulic Adjustment (if equipped)

The header angle can be adjusted from the tractor without shutting down the windrower/mower conditioner.



- To decrease (flatten) header angle, operate tractor hydraulic control so that cylinder retracts, decreasing the number of holes in the gauge (D) that are exposed.
- To increase (steepen) header angle, operate tractor hydraulic control so that cylinder extends, increasing the number of holes in the gauge that are exposed.

OPERATION

6.17.9 Header Flotation

Header flotation springs are normally set so 70 lbf (311 N) is required to lift either end of the header just off the ground. In rough or stony conditions, it may be desirable to change setting to 35-50 lbf (156-222 N) to protect cutting components.

NOTE

When float setting is light, it may be necessary to use a slower ground speed to avoid excessive bouncing and leaving a ragged cut.

6.17.9.1 Flotation Adjustment – Self-Propelled

The header float can be hydraulically adjusted from the cab without shutting down the windrower. To adjust the float, refer to M150 & M200 Self-Propelled Windrower Operator's Manual.

6.17.9.2 Flotation Adjustment – Pull-Type

IMPORTANT

Float setting (or lifting force) must be equal on both ends of the header. LH and right ends require different spring lengths to achieve equal float at both ends.

IMPORTANT

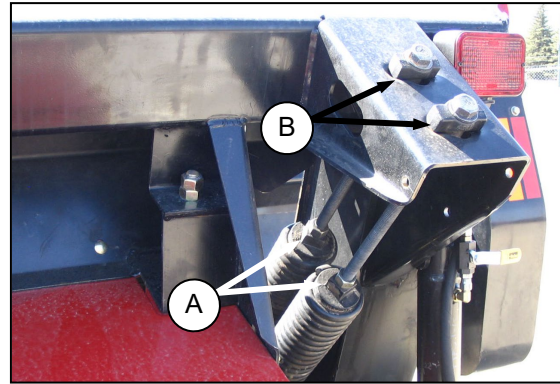
Because header weight transfers to outside tire whenever header is swung from one side to the other, tires must be fully inflated (30 psi (207 kPa)) to minimize effects on header float.



CAUTION

To prevent accidental movement of windrower, place all controls in neutral or in park, engage park brake (if applicable), shut off engine, and remove key.

- Position header directly behind tractor, and raise header fully.
- Engage lift cylinder lockouts, stop engine, and remove key.
- Back jam-nuts (A) away from spring.



- To increase flotation, turn adjuster bolts (B) clockwise (further into spring). To decrease flotation, turn adjuster bolts counterclockwise.

NOTE

Springs must be adjusted in pairs.

- Tighten jam-nuts (A) against spring inserts to secure the setting.
- Lower header and check header flotation at each end.

NOTE

Other operating variable adjustments may affect float setting. Check the float and readjust if necessary after adjusting reel position, cutting height, or header angle. Also, if using a tractor with drawbar height different than 16 in. (406 mm) flotation will be affected. Adjust as required.

OPERATION

6.17.10 Feed Pan / Rock-Drop Tine Position

The rear of the feed pan is adjustable up and down to raise or lower the feed pan and rock drop tines.

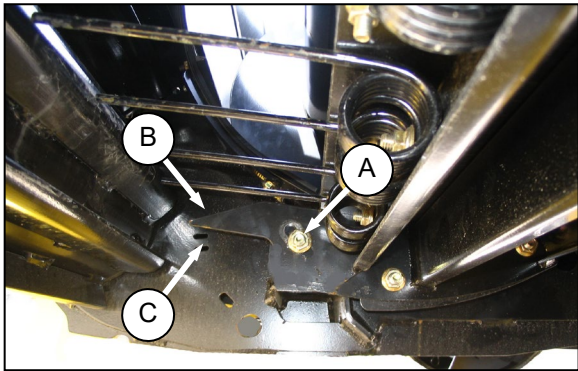
- Lowering the feed-pan helps prevent plugging in heavy crop.
- Raising the feed-pan helps to form an even windrow in light crop.



WARNING

To avoid bodily injury or death from unexpected start-up or fall of raised machine; stop engine, remove key and engage header lift cylinder stops before going under machine.

- a. Raise header fully and engage header lift cylinder stops.
- b. Stop engine and remove key.



- c. Loosen nut (A) both sides and align pointer (B) at each side of rock drop tine support with one of the slots (C) to match crop condition.

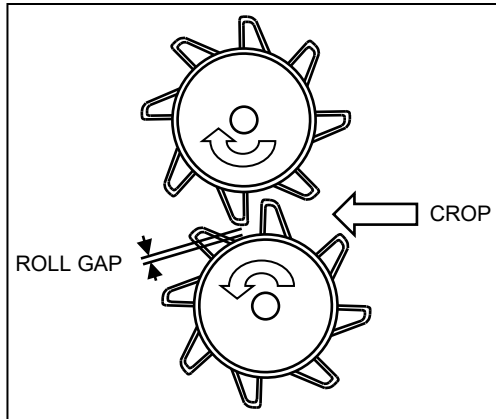
CROP:	Light	Normal	Heavy
SLOT:	Upper	Center	Lower

- d. Tighten hardware on both sides.
- e. Disengage header lift cylinder stops.

OPERATION

6.17.11 Hay Conditioner

Steel rolls "condition" the crop by crimping and crushing the stem in several places to allow moisture release for quicker drying. The degree to which the crop is conditioned as it passes through the rolls is controlled by roll gap (factory set at 1/4 in. (6 mm)). See illustration.



Correct conditioning of alfalfa, clover and other legumes is usually indicated when 90% of the stems show cracking, but no more than 5% of the leaves are damaged. Use only enough roll gap to achieve this result.

A larger gap (up to 1 in. [25 mm]) may be desirable in thick stemmed cane-type crops; however, too large a gap may cause feeding problems.

Grass type crops may require less gap for proper feeding and conditioning.

6.17.11.1 Roll Gap Adjustment



CAUTION

To prevent accidental movement of windrower, place all controls in neutral or in park, engage park brake (if applicable), shut off engine, and remove key.

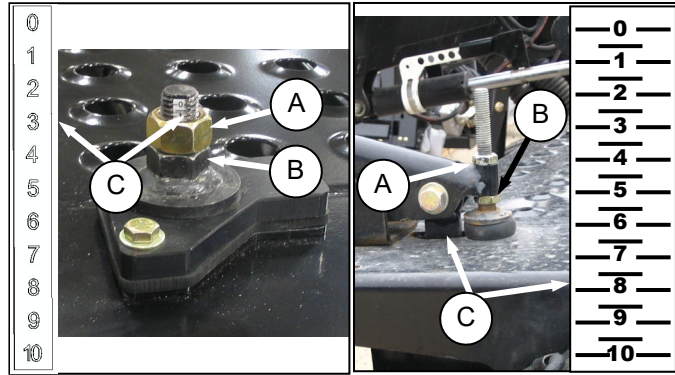
- Lower header fully.
- Stop engine and remove key.

NOTE

When adjusting roll gap, be sure that the decal reading is the same on both sides of the conditioner roll to achieve consistent intermesh across the rolls.

NOTE

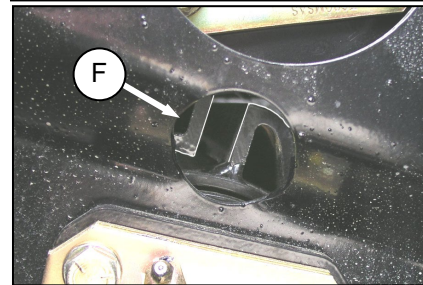
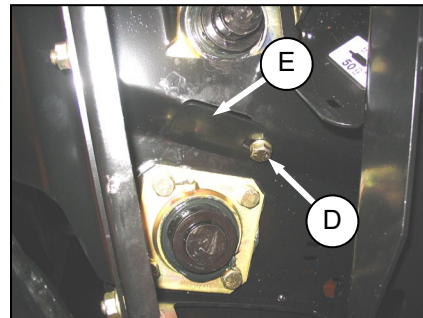
Each division on the roll gap decal represents a change of approximately 1/8 in. (3mm) in roll gap. The factory setting of 1/4 in. (6 mm) roll gap is mark 1 on the decal (C).



SELF-PROPELLED

PULL-TYPE

- Loosen and back-off upper jam-nut (A), both sides of conditioner.
- To increase roll gap, turn lower nut (B) to raise link and increase the gauge (C) setting.
- To decrease roll gap, turn lower nut (B) to lower link and decrease the gauge (C) setting.
- Tighten jam-nuts (A), both sides.



- Loosen bolt (D) and rotate cover (E) to expose access port (F).
- Inspect space between roll bars at both ends of the rolls at access port (F).

IMPORTANT

Roll timing and alignment are critical when the roll gap is decreased because:

- conditioning is affected, and
 - the bars may contact each other.
- Check roll timing and alignment when reducing roll gap. Refer to Section 6.17.11.2, Roll Timing and Alignment.
 - Close cover (E) and tighten bolt (D).

OPERATION

6.17.11.2 Roll Timing and Alignment

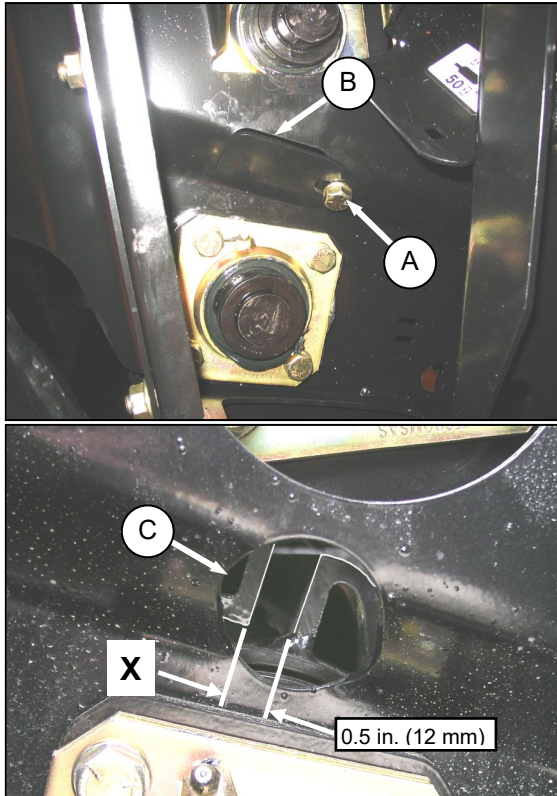
For proper conditioning, the rolls must be properly timed and aligned with each steel bar on one roll centered between two bars of the other roll as shown. The factory setting should be suitable for most crop conditions.



WARNING

To avoid bodily injury or death from unexpected start-up or fall of raised machine; stop engine, remove key and engage lift cylinder stops before going under machine to examine roll timing, or for any reason.

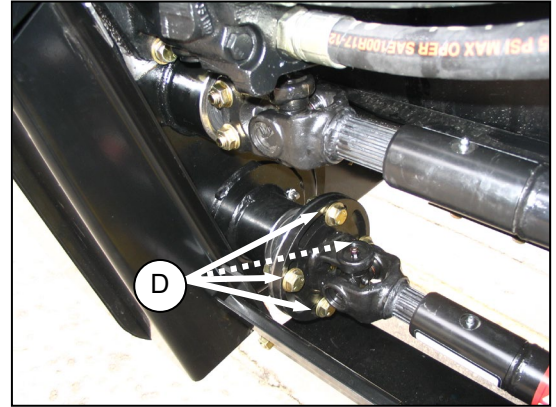
6.17.11.2.1 Roll Timing



- Loosen bolt (A) and rotate cover (B) to expose access port (C).
- Examine roll timing (distance 'X') at each end of the rolls with the header fully lowered. Each steel bar on one roll should be centered between two bars of the other roll so that distance "X" is 0.5 in. (12 mm).

NOTE

If the distance 'X' varies more than 1/16 in (1.6 mm) from one end to the other, the rolls should be re-aligned. Refer to Section 6.17.11.2.2, Roll Alignment.



- If required, adjust the roll timing as follows:
 - Loosen four bolts (D) in slots of yoke plate on lower roll universal shaft.
 - Turn rolls to achieve best timing.
 - When roll timing is satisfactory, tighten bolts (D) to secure the position.
 - Recheck the distance between the bars at both ends of the rolls at (C).
 - Close cover (B) and tighten bolt (A).

OPERATION

6.17.11.2.2 Roll Alignment

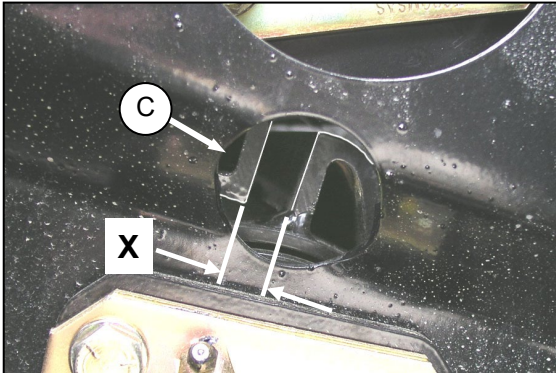
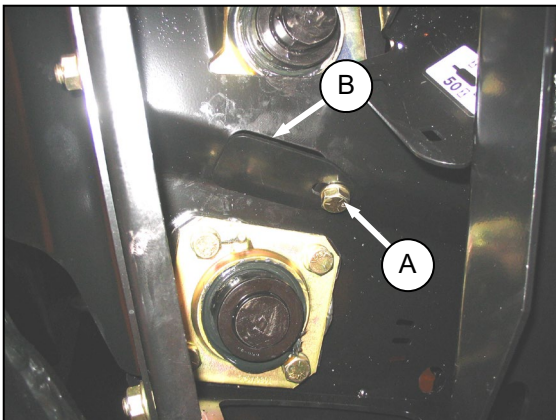
The rolls can be aligned in the fore and aft direction by shimming the pivot assembly link at the RH end of the upper roll. The rolls are aligned at the factory but adjustment is provided in case the rolls become misaligned during operation.



CAUTION

To prevent accidental movement of windrower, place all controls in neutral or in park, engage park brake (if applicable), shut off engine, and remove key.

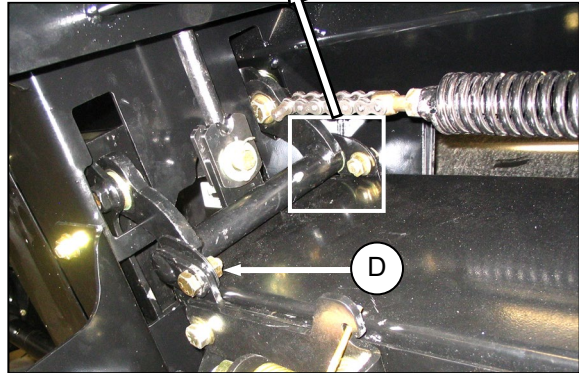
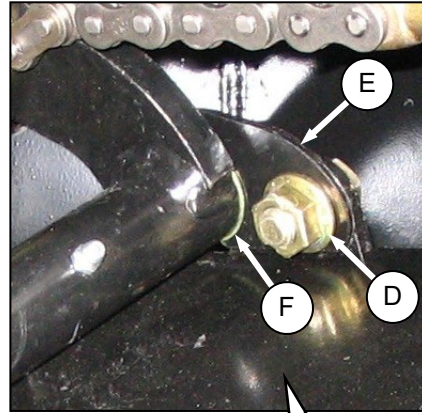
- a. Lower header until it rests on the ground.



- b. Loosen bolt (A) and rotate cover (B) to expose access port (C).

NOTE

The rolls are aligned if the distance 'X' varies less than 1/16 in (1.6 mm) from one end to the other, otherwise align rolls as follows:



- c. Remove nuts and bolts (D) and remove shims (E). The shims can be lifted off the pivot rod.
- d. Move upper roll until dimension 'X' at both ends looking through (C) is within 1/16 in (1.6 mm).
- e. Reinstall the shims, ensuring hardened washer (F) is against the pivot tube.
- f. Reinstall bolts (D) and nuts.
- g. Operate header/mower conditioner and recheck the alignment.
- h. Close cover (B) and tighten bolt (A).

OPERATION

6.17.12 Roll Tension

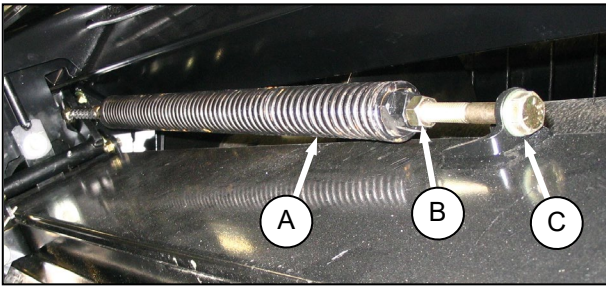
The roll tension (the force holding the rolls together) is factory set and is adjustable. There is a spring (A) for each end of the roll.



CAUTION

To prevent accidental movement of windrower, place all controls in neutral or in park, engage park brake (if applicable), shut off engine, and remove key.

- a. Lower the header fully.
- b. Stop engine and remove key.



- c. To increase the roll tension, loosen jam-nut (B) at spring insert, and turn the spring draw-bolt (C) clockwise to tighten the spring. Tighten jam-nut (B).
- d. To decrease the roll tension, loosen jam-nut (B) at spring insert, and turn the spring draw-bolt (C) counterclockwise to loosen the spring. Tighten jam-nut (B).

OPERATION

6.17.13 Forming Shields



WARNING

Keep hands and feet away from discharge opening. Keep everyone several hundred feet away from your operation. Never direct the discharge toward anyone. Stones or other foreign objects can be ejected with force.

The position of the forming shields controls the width and placement of the windrow. The decision on forming shield position (settings between 36 and 92 in. (915 and 2346 mm)) should be based on the following factors:

- weather conditions (rain, sun, humidity, wind)
- type and yield of crop
- drying time available
- method of processing (bales, silage, "green-feed")

A wider windrow will generally dry faster and more evenly, resulting in less protein loss. Fast drying is especially important in areas where the weather allows only a few days to cut and bale. Refer to Section 6.18, Haying Tips, for more information.

Where weather conditions permit or when drying is not critical, for example, when cutting for silage or "green-feed", a narrower windrow may be preferred for ease of pick-up.

6.17.13.1 Side Deflectors

The position of the side forming shields controls the width and placement of the windrow.

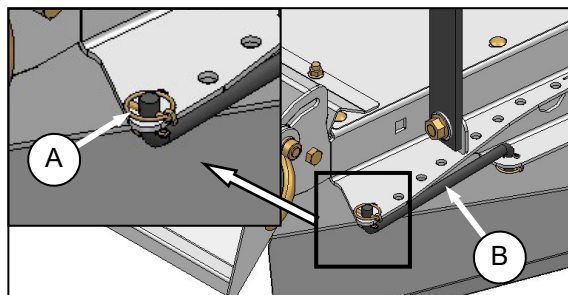


CAUTION

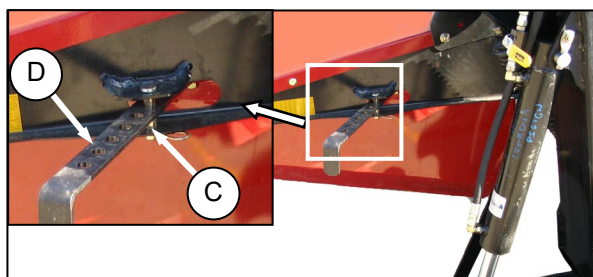
To prevent accidental movement of windrower, place all controls in neutral or in park, engage park brake (if applicable), shut off engine, and remove key.

To ensure windrow placement is centered with respect to carrier/drive wheels, adjust both side deflectors to the same hole position on the adjuster bar. To achieve this setting, adjuster bars must be in the corresponding hole both sides.

- a. Set forming shield side deflectors to desired width by repositioning adjuster bars as follows:

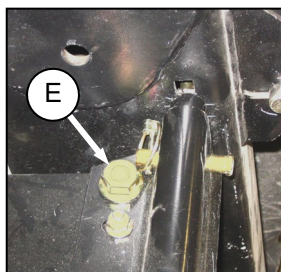


SELF-PROPELLED

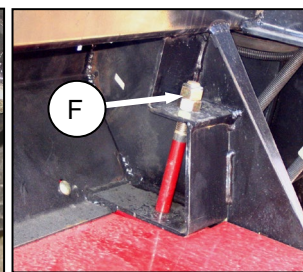


PULL-TYPE

1. For self-propelled machines, remove lynch pin (A), move adjuster bar (B) to another hole and re-install lynch pin (A).
 2. For pull-type machines, remove hairpin and clevis pin (C). Move adjuster bar (D) to another hole and re-install clevis pin (C) and hairpin.
- b. If forming shield attachment is too tight or too loose, adjust as follows:



SELF-PROPELLED



PULL-TYPE

1. On self-propelled headers, tighten or loosen nut (E) as required.
2. On pull-type headers, back off top nut at (F) and adjust lower nut at (F) as required. Then, holding lower nut with a wrench, tighten top nut securely against lower nut.

OPERATION

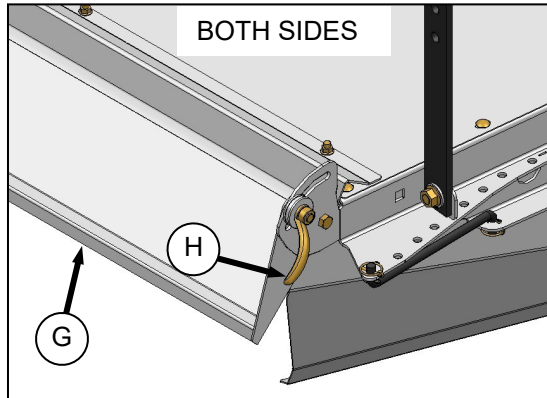
6.17.13.2 Rear Deflector (Fluffer Shield)

The rear deflector (D) slows the crop exiting the conditioner rolls, directs the flow downward, and "fluffs" the material.

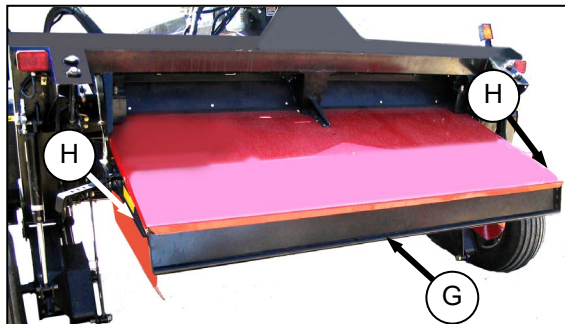


CAUTION

To prevent accidental movement of windrower, place all controls in neutral or in park, engage park brake (if applicable), shut off engine, and remove key.



SELF-PROPELLED



PULL-TYPE

- a. For more crop control in light material, lower the deflector (G) by pushing down on one side of the deflector and then on the other side. Locking handles (H) are located at either end of the deflector and may be loosened slightly.
- b. For heavier crops, raise the deflector (G) by pulling up on one side and then on the other side.

NOTE

For even windrow formation, be sure the deflector is not twisted.

OPERATION

6.17.14 Ground Speed



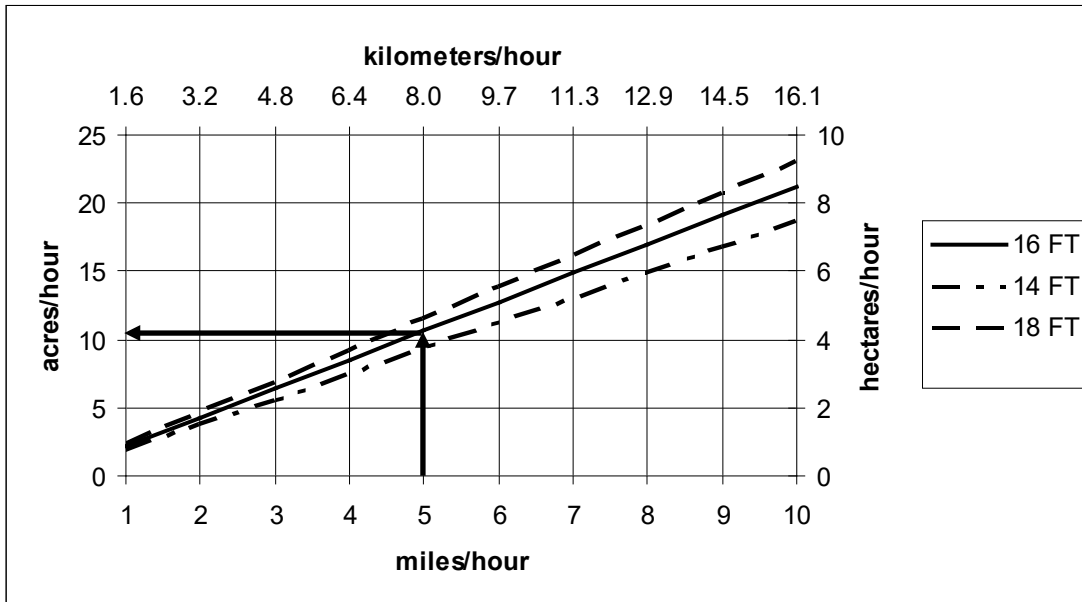
CAUTION

Reduce speed when turning, crossing slopes, or when travelling over rough ground.

- Tractor/windrower ground speed should not exceed 8 mph (13 km/h). For most crop conditions a ground speed of 5 mph (8 km/h) has been found satisfactory.

- Choose a ground speed that allows the sickle to cut the crop smoothly and evenly.
- The chart below indicates the relationship between ground speed and area cut for two header sizes.

Example: At ground speed of 5 mph (8 km/h) with a 16 ft. header, the area cut would be approximately 10 acres (4 hectares) per hour.

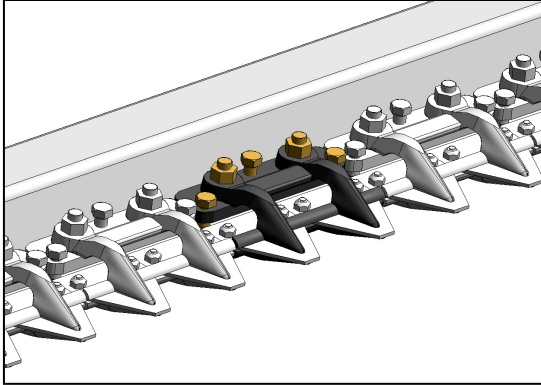


OPERATION

6.17.15 Grass Seed Windrowing

The grass seed auger header has several features to adapt it to this special application. These features include:

6.17.15.1 Stub Guards and Hold-downs



The cutterbar is equipped with stub guards for effective cutting in tough grass crops. See Section 7.8.7 Sickle Guards for maintenance of these components.

6.17.15.2 Special Auger Design



The center beaters and beater supports have been removed to reduce auger wrapping.

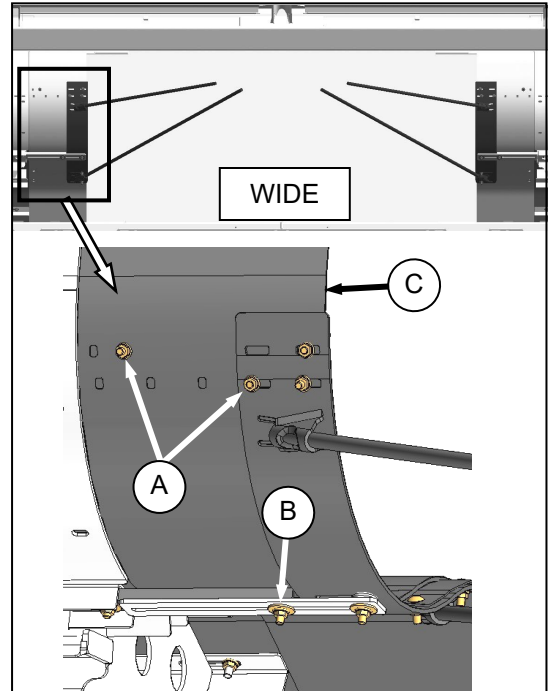
6.17.15.3 Seven-Bat Reel



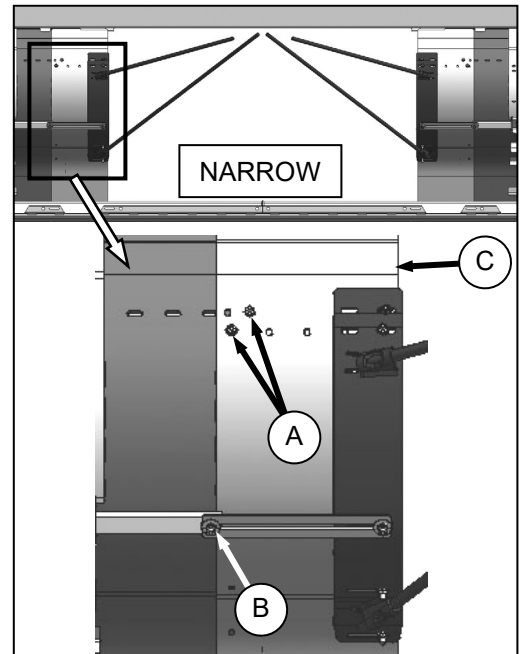
A seventh bat is added to the reel body, for smoother reel action and better crop feed into the header.

6.17.15.4 Auger Pan Extensions

The grass seed header is equipped with adjustable auger pan extensions that allow adjustment of delivery opening to vary the windrow characteristics. Adjust as follows:



- Remove two bolts (A), and loosen bolt (B).
- Slide pan (C) and swath forming rods inboard to desired position and align holes.

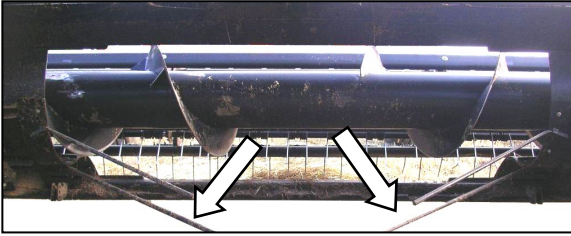


- Re-install two bolts (A) and tighten bolts (A) and (B).
- Repeat for opposite pan extension.

OPERATION

6.17.15.5 Windrow Forming Rods

Forming rods are provided to assist in forming the narrow windrows preferred for this application.



- a. Bend the rods to modify the windrow shape. Use the forming rods in conjunction with the auger pan extensions to achieve the width and shape of windrows you desire.

OPERATION

6.18 HAYING TIPS

6.18.1 Curing

- a. A quick cure will maintain top quality because:
 - 5% of the protein is lost for each day hay lies on the ground,
 - The sooner the cut hay is off, the earlier the start for next growth.
- b. Leaving the windrow as wide and thin as possible makes for the quickest curing
- c. The cured hay should be baled as soon as possible.

6.18.2 Topsoil Moisture

LEVEL	% MOISTURE	CONDITION
Wet	Over 45	Soil is Muddy
Damp	25 – 45	Shows Footprints
Dry	Under 25	Surface is Dusty

- a. On wet soil, the general rule of "wide and thin" does not apply. A narrower windrow will dry faster than hay left flat on wet ground.
- b. When the ground is wetter than the hay, moisture from the soil is absorbed by the hay above it. Determine topsoil moisture level before cutting. Use a moisture tester or estimate level:
- c. If ground is wet due to irrigation, wait until soil moisture drops below 45%.
- d. If ground is wet due to frequent rains, cut when weather allows and let the forage lie on wet ground until it dries to the moisture level of the ground.
- e. The cut hay will dry no more until the ground under it dries, so consider moving the windrow to drier ground.

6.18.3 Weather and Topography

- a. Cut as much hay as possible by midday, when drying conditions are best.
- b. Fields sloping south get up to 100% more exposure to the sun's heat than do north sloping fields. If hay is baled and chopped, consider baling the south facing fields and chopping those facing north.
- c. When relative humidity is high, the evaporation rate is low and hay dries slower.
- d. If there is no wind, saturated air becomes trapped around the windrow. Raking or tedding will expose the hay to fresher, less saturated air.
- e. Cut hay perpendicular to the direction of the prevailing winds is also recommended.

6.18.4 Windrow Characteristics

It is recommended that a windrow with the following characteristics be produced. Refer to Section 6.17 Operating Variables, for instructions on adjusting the header/mower conditioner.

CHARACTERISTIC	ADVANTAGE
High And Fluffy	The movement of air through the windrow is more important to the curing process than direct sunlight.
Consistent Formation, Not Bunchy	Permits an even flow of material into the baler, chopper etc.
Even Distribution of Material Across Windrow	Results in even and consistent bales to minimize handling and stacking problems
Properly Conditioned	Prevents excessive leaf damage

6.18.5 Driving On Windrow

Driving on previously cut windrows can lengthen drying time by a full day in hay that will not be raked.

If practical, set forming shields for a narrower windrow that can be straddled.

NOTE

Driving on the windrow in high yielding crops may be unavoidable if a full width windrow is necessary.

6.18.6 Raking and Tedding

Raking or tedding speeds up drying, however the benefits must be weighted against the additional leaf losses which will result. There is little or no advantage to raking or tedding if the ground beneath the windrow is dry.

Large windrows on damp or wet ground should be turned over when they reach 40-50% moisture. Hay should not be raked or tugged at less than 25% moisture, or excessive yield losses will result.

6.18.7 Chemical Drying Agents

Hay drying agents work by removing wax from legume surfaces, enabling water to escape and evaporate faster. However, treated hay lying on wet ground will also absorb ground moisture faster.

Before deciding to use a drying agent, costs and benefits relative to your area should be carefully compared.

OPERATION

6.19 STORAGE

Do the following at the end of each operating season:

- a. Clean the header/mower conditioner thoroughly.



CAUTION

Never use gasoline, naphtha or any volatile material for cleaning purposes. These materials may be toxic and/or flammable.



CAUTION

Cover cutterbar and sickle guards to prevent injury from accidental contact.

- b. Store in a dry, protected place if possible. If stored outside, always cover mower conditioner with a waterproof canvas or other protective material.
- c. Raise header and engage lift cylinder lock-outs.
- d. If possible, block up the header to take weight off tires.
- e. Repaint all worn or chipped painted surfaces to prevent rust.
- f. Loosen drive belts.
- g. Lubricate the header/mower conditioner thoroughly, leaving excess grease on fittings to keep moisture out of bearings. Apply grease to exposed threads, cylinder rods and sliding surfaces of components. Oil sickle components to prevent rust.
- h. Check for worn components and repair.
- i. Check for broken components and order replacement from your dealer. Attention to these items right away will save time and effort at beginning of next season.
- j. Replace or tighten any missing or loose hardware. Refer to Section 7.3, Recommended Torques.
- k. Remove divider rods (if equipped) to reduce space required for inside storage.

7 MAINTENANCE/SERVICE

The following instructions are provided to assist the operator in the use of the header/mower conditioner. Detailed maintenance, service, and parts information are contained in the Service Instruction Manual and Parts Catalog that are available from your dealer.

7.1 PREPARATION FOR SERVICING



CAUTION

To avoid personal injury, before servicing header/mower conditioner or opening drive covers:

- Fully lower the header. If necessary to service in the raised position, always engage lift cylinder stops.
- Disengage PTO (pull-type).
- Stop engine and remove key.
- Place all controls in neutral or park.
- Wait for all moving parts to stop.

7.2 RECOMMENDED SAFETY PROCEDURES

- Park on level surface when possible. Block wheels securely if windrower/mower conditioner is parked on an incline. Follow all recommendations in your Tractor/Windrower Operator's Manual.
- Wear close-fitting clothing and cover long hair. Never wear dangling items such as scarves or bracelets.
- Wear protective shoes with slip-resistant soles, a hard hat, protective glasses or goggles and heavy gloves.
- If more than one person is servicing the machine at the same time, be aware that rotating a driveline or other mechanically driven component by hand (for example, accessing a lube fitting) will cause drive components in other areas (belts, pulleys, and sickle) to move. Stay clear of driven components at all times.
- Be prepared if an accident should occur. Know where the first aid kit and fire extinguishers are located and how to use them.
- Keep the service area clean and dry. Wet or oily floors are slippery. Wet spots can be dangerous when working with electrical equipment. Be sure all electrical outlets and tools are properly grounded.
- Use adequate light for the job at hand.

- Replace all shields removed or opened for service.
- Use only service and repair parts made or approved by the equipment manufacturer. Substituted parts may not meet strength, design or safety requirements.
- Keep the machine clean. Never use gasoline, naphtha or any volatile material for cleaning purposes. These materials may be toxic and/or flammable.

MAINTENANCE/SERVICE

7.3 MAINTENANCE SPECIFICATIONS

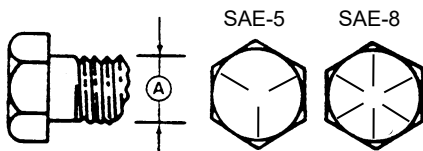
7.3.1 Recommended Torques

- Tighten all bolts to the torques specified in chart unless otherwise noted throughout this manual.
- Check tightness of bolts periodically, using bolt torque chart as a guide.
- Replace hardware with the same strength bolt.
- Torque figures are valid for non-greased or non-oiled threads and heads unless otherwise specified. Do not grease or oil bolts or capscrews unless specified in this manual. When using locking elements, increase torque values by 5%.

7.3.1.1 SAE Bolts

BOLT DIA. "A" in.	NC BOLT TORQUE*			
	SAE 5		SAE 8	
	lbf-ft	N·m	lbf-ft	N·m
1/4	9	12	11	15
5/16	18	24	25	34
3/8	32	43	41	56
7/16	50	68	70	95
1/2	75	102	105	142
9/16	110	149	149	202
5/8	150	203	200	271
3/4	265	359	365	495
7/8	420	569	600	813
1	640	867	890	1205

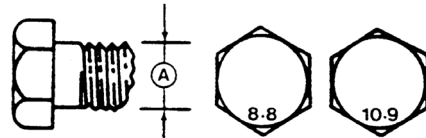
* Torque categories for bolts and capscrews are identified by their head markings.



7.3.1.2 Metric Bolts

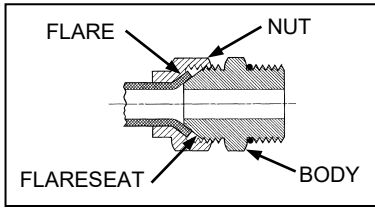
BOLT DIA. "A"	NC BOLT TORQUE*			
	8.8		10.9	
	lbf-ft	N·m	lbf-ft	N·m
M3	0.4	0.5	1.3	1.8
M4	2.2	3	3.3	4.5
M5	4	6	7	9
M6	7	10	11	15
M8	18	25	26	35
M10	37	50	52	70
M12	66	90	92	125
M14	103	140	148	200
M16	166	225	229	310
M20	321	435	450	610
M24	553	750	774	1050
M30	1103	1495	1550	2100
M36	1917	2600	2710	3675

* Torque categories for bolts and capscrews are identified by their head markings.



MAINTENANCE/SERVICE

7.3.1.3 Flare Type Hydraulic Fittings

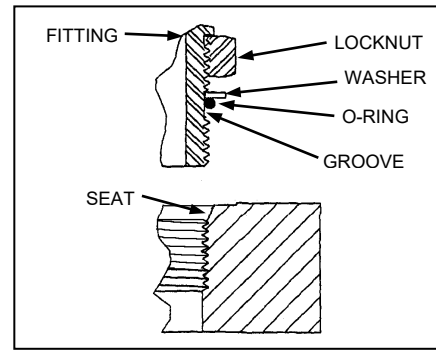


- a. Check flare and flare seat for defects that might cause leakage.
- b. Align tube with fitting before tightening.
- c. Lubricate connection and hand tighten swivel nut until snug.
- d. To prevent twisting the tube(s), use two wrenches. Place one wrench on the connector body and with the second tighten the swivel nut to the torque shown.

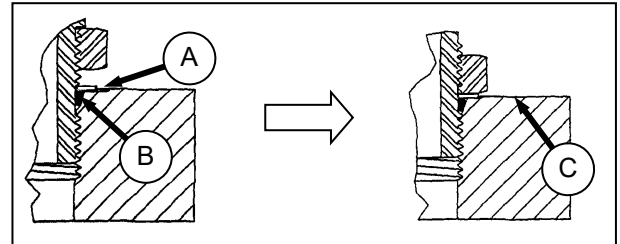
SAE NO.	TUBE SIZE O.D. (in.)	THD SIZE (in.)	NUT SIZE ACROSS FLATS (in.)	TORQUE VALUE*		RECOMMENDED TURNS TO TIGHTEN (AFTER FINGER TIGHTENING)	
				ft·lbf	N·m	Flats	Turns
3	3/16	3/8	7/16	6	8	1	1/6
4	1/4	7/16	9/16	9	12	1	1/6
5	5/16	1/2	5/8	12	16	1	1/6
6	3/8	9/16	11/16	18	24	1	1/6
8	1/2	3/4	7/8	34	46	1	1/6
10	5/8	7/8	1	46	62	1	1/6
12	3/4	1-1/16	1-1/4	75	102	3/4	1/8
14	7/8	1-3/16	1-3/8	90	122	3/4	1/8
16	1	1-5/16	1-1/2	105	142	3/4	1/8

* The torque values shown are based on lubricated connections as in reassembly.

7.3.1.4 O-ring Type Hydraulic Fittings



- a. Inspect O-ring and seat for dirt or obvious defects.



- b. On angle fittings, back off the lock nut until washer (A) bottoms out at top of groove (B) in fitting.
- c. Hand tighten fitting until back up washer (A) or washer face (if straight fitting) bottoms on part face (C) and O-ring is seated.
- d. Position angle fittings by unscrewing no more than one turn.
- e. Tighten straight fittings to torque shown.
- f. Tighten angle fittings to torque shown in the following table while holding body of fitting with a wrench.

SAE NO.	THD SIZE (in.)	NUT SIZE ACROSS FLATS (in.)	TORQUE VALUE*		RECOMMENDED TURNS TO TIGHTEN (AFTER FINGER TIGHTENING)	
			ft·lbf	N·m	Flats	Turns
3	3/8	1/2	6	8	2	1/3
4	7/16	9/16	9	12	2	1/3
5	1/2	5/8	12	16	2	1/3
6	9/16	11/16	18	24	2	1/3
8	3/4	7/8	34	46	2	1/3
10	7/8	1	46	62	1-1/2	1/4
12	1-1/16	1-1/4	75	102	1	1/6
14	1-3/16	1-3/8	90	122	1	1/6
16	1-5/16	1-1/2	105	142	3/4	1/8
20	1-5/8	1-7/8	140	190	3/4	1/8
24	1-7/8	2-1/8	160	217	1/2	1/12

* The torque values shown are based on lubricated connections as in reassembly.

MAINTENANCE/SERVICE

7.3.2 Recommended Fluids and Lubricants

Your machine can operate at top efficiency only if clean lubricants are used.

- Use clean containers to handle all lubricants.
- Store in an area protected from dust, moisture, and other contaminants.

LUBRICANT	SPEC	DESCRIPTION	USE	CAPACITIES
Grease	SAE Multi-Purpose	High Temp. Extreme Pressure (EP2) Performance With 1% Max Molybdenum Disulphide (NLGI Grade 2). Lithium Base	As Required Unless Otherwise Specified.	--
		High Temp. Extreme Pressure (EP) Performance With 10% Max Molybdenum Disulphide (NLGI Grade 2). Lithium Base	Driveline Slip-Joints	--
Gear Lubricant	SAE 85W-140	API Service Class GL-5	Wobble Box	2.3 qts (2.2 liters)
			Conditioner Drive Gearbox	1.5 qts (1.4 liters)
Hydraulic Oil	SAE 15W40	Compliant With SAE Specs For API Class SJ And CH-4 Engine Oil.	Steering, Lift, and Header Drive Systems Reservoir	33 gal. US (126 liters)

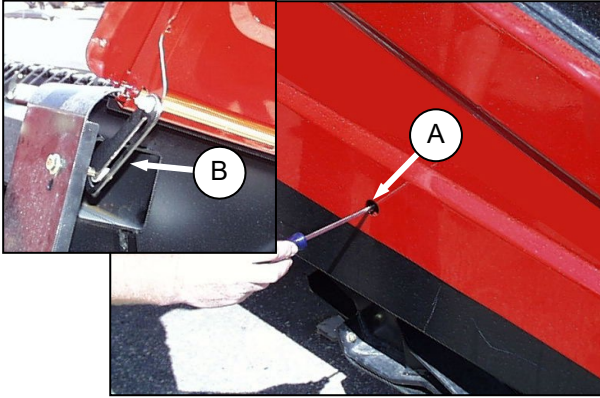
MAINTENANCE/SERVICE

7.3.3 Conversion Chart

QUANTITY	INCH-POUND UNITS		FACTOR	SI UNITS (METRIC)	
	UNIT NAME	ABBR.		UNIT NAME	ABBR.
Area	acres	acres	$\times 0.4047 =$	hectares	ha
Flow	US gallons per minute	(gpm)	$\times 3.7854 =$	liters per min	L/min
Force	pounds force	lbf	$\times 4.4482 =$	Newtons	N
Length	inch	in.	$\times 25.4 =$	millimeters	mm
	foot	ft	$\times 0.305 =$	meters	m
Power	horsepower	hp	$\times 0.7457 =$	kilowatts	kW
Pressure	pounds per square inch	psi	$\times 6.8948 =$	kilopascals	kPa
			$\times .00689 =$	megapascals	MPa
Torque	pound feet or foot pounds	lbf-ft or ft-lbf	$\times 1.3558 =$	newton meters	N·m
	pound inches or inch pounds	lbf-in. or in-lbf	$\times 0.1129 =$	newton meters	N·m
Temperature	degrees Fahrenheit	°F	$(F - 32) \times 0.56 =$	Celsius	°C
Velocity	feet per minute	ft/min	$\times 0.3048 =$	meters per min	m/min
	feet per second	ft/s	$\times 0.3048 =$	meters per sec	m/s
	miles per hour	mph	$\times 1.6063 =$	kilometers per hour	km/h
Volume	US gallons	US gal.	$\times 3.7854 =$	liters	L
	ounces	oz.	$\times 29.5735 =$	milliliters	ml
	cubic inches	in. ³	$\times 16.3871 =$	cubic centimeters	cm ³ or cc
Weight	pounds	lb	$\times 0.4536 =$	kilograms	kg

MAINTENANCE/SERVICE

7.4 DRIVE SHIELDS



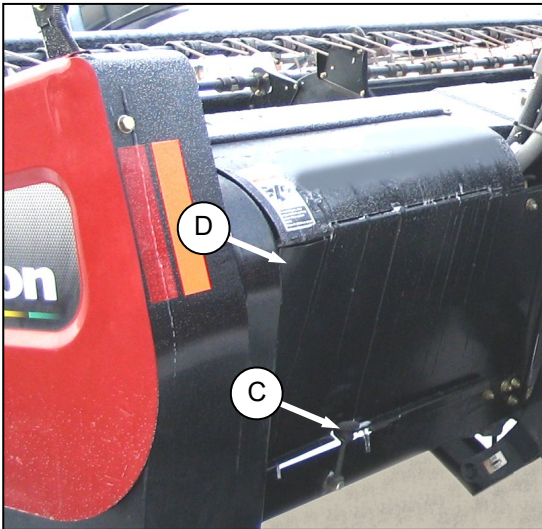
- a. To open the LH and right drive shields on the header, press a screwdriver against latch in opening at (A).



CAUTION

Ensure shield lock engages in the open position as shown at (B) before letting go of shield.

- b. To close, push shield slightly farther open and move lock (B) out of engagement slot. Lower shield by hand and release about 12" from fully closed position. Shield will self-latch.



- c. To open the driveline shield, disengage rubber latch (C) and open shield (D).
- a. To close, lower shield and engage rubber latch.

7.5 LIFT CYLINDER LOCK-OUTS

7.5.1 Self-Propelled

Refer to M100, or M150 & M200 Self-Propelled Windrower Operator's Manual.

7.5.2 Pull-Type



DANGER

To avoid bodily injury or death from unexpected start-up or fall of raised machine; stop engine, remove key and engage lift cylinder lock-out valves before going under machine for any reason.

- a. Raise the header fully, shut off engine and remove key.



- b. Move handle to horizontal position on both header lift cylinder lock-out valves.

MAINTENANCE/SERVICE

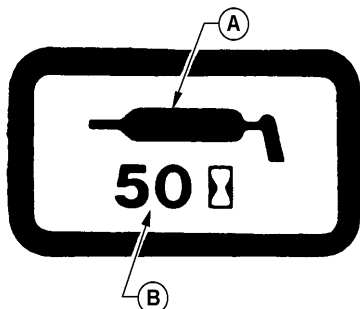
7.6 LUBRICATION



CAUTION

To avoid personal injury, before servicing header/mower conditioner or opening drive covers, follow procedures in Section 7.1, Preparation for Servicing.

Refer to Section 7.4, Recommended Lubricants for recommended greases.



SAMPLE GREASE DECAL

The greasing points are marked on the machine by decals showing a grease gun (A), and grease interval (B) in hours of operation. Log hours of operation and use the "Maintenance Checklist" provided to keep a record of scheduled maintenance. Refer to Section 7.17, Maintenance Schedule.

7.6.1 Greasing Procedure

- Wipe grease fitting with a clean cloth before greasing, to avoid injecting dirt and grit.
- Inject grease through fitting with grease gun until grease overflows fitting, except where noted.
- Leave excess grease on fitting to keep out dirt.
- Replace any loose or broken fittings immediately.
- If fitting will not take grease, remove and clean thoroughly. Also clean lubricant passageway. Replace fitting if necessary.

7.6.2 Lubrication Points


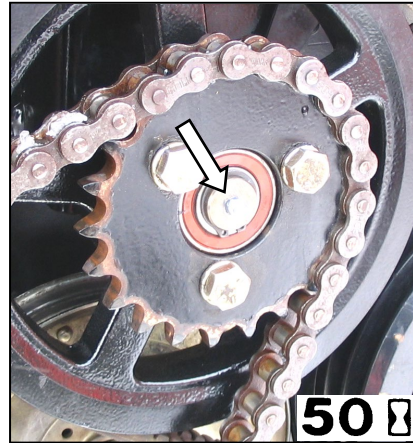
The lubrication requirements depend on the model of header/mower conditioner that is being serviced. Refer to the specified pages for identifying lubrication points for your specific model.

A30-S HEADER	Pages 100-101
A30-D HEADER	Pages 102-103
A40-D HEADER	Pages 104-105
HAY CONDITIONER	Page 106
DRIVELINES	Page 107
PULL-TYPE CARRIER	Page 108

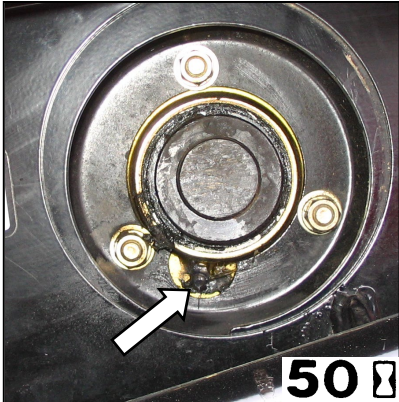
MAINTENANCE/SERVICE

I. A30-S Headers

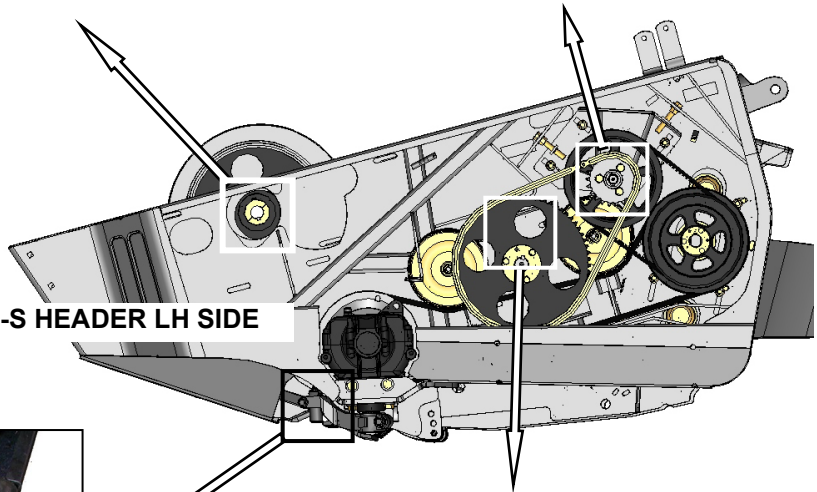
High Temp. Extreme Pressure (EP2) Performance With 1% Max Molybdenum Disulphide (NLGI Grade 2), Lithium Base

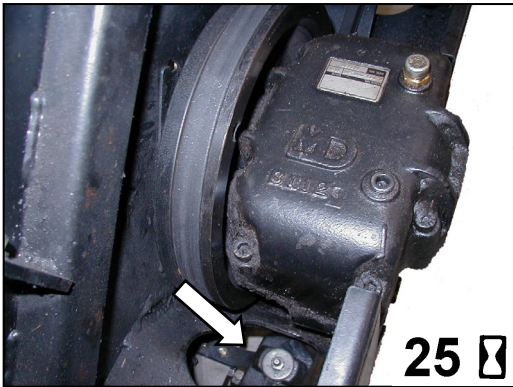
AUGER DRIVE BEARING (1 PLC)



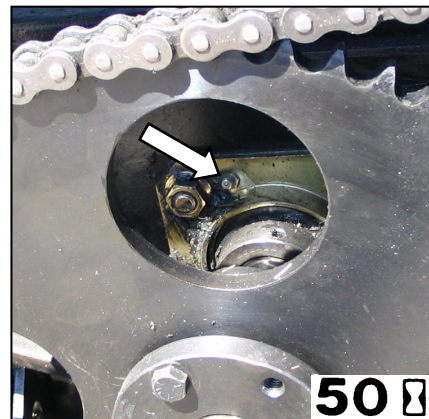
REEL SHAFT BEARING (1 PLC)



A30-S HEADER LH SIDE



SICKLE HEAD BEARING (1 PLC)



AUGER SHAFT BEARING (1 PLC)

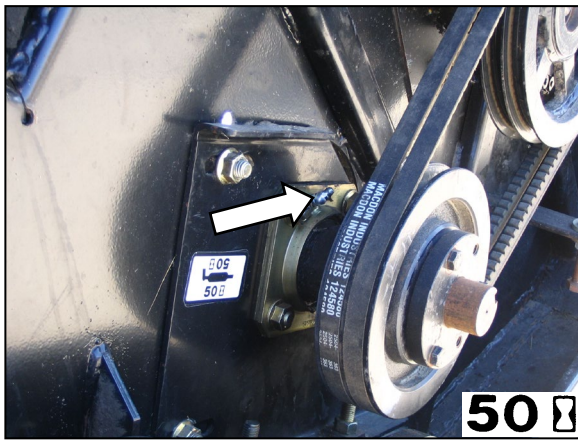
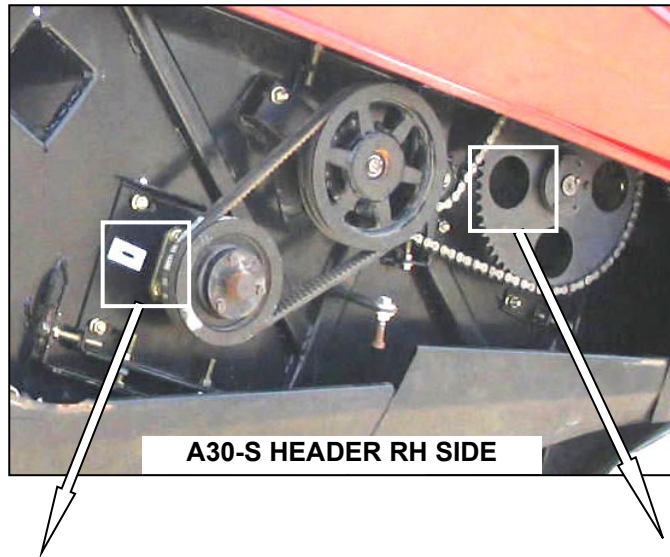
NOTE

To prevent binding and/or excessive wear caused by sickle pressing on guards, do not over grease. If more than 6 to 8 pumps of the grease gun are required to fill the cavity, replace the seal in the sickle head.

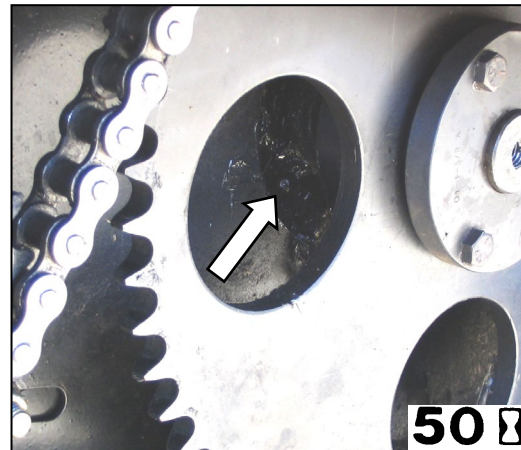
MAINTENANCE/SERVICE

A30-S Headers (Cont'd)

High Temp. Extreme Pressure
(EP2) Performance With 1%
Max Molybdenum Disulphide
(NLGI Grade 2).Lithium Base



AUGER SHAFT BEARING (1 PLC)

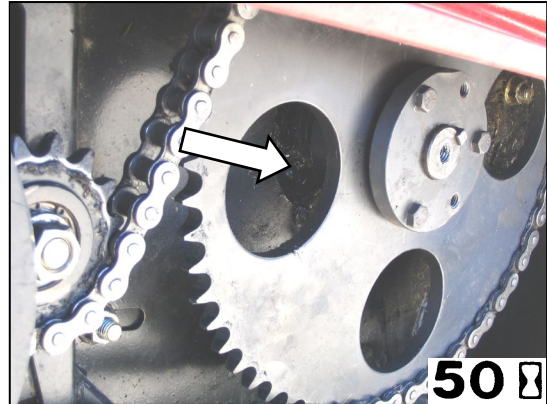


REEL SHAFT BEARING (1 PLC)

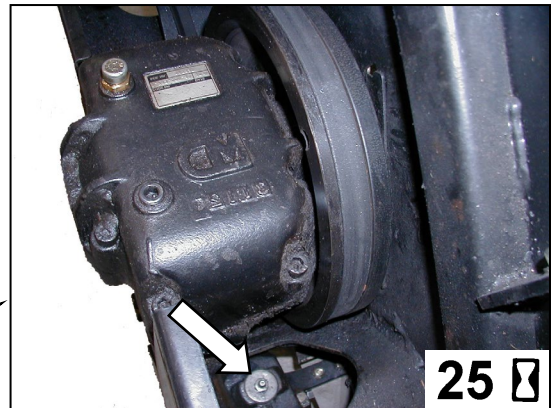
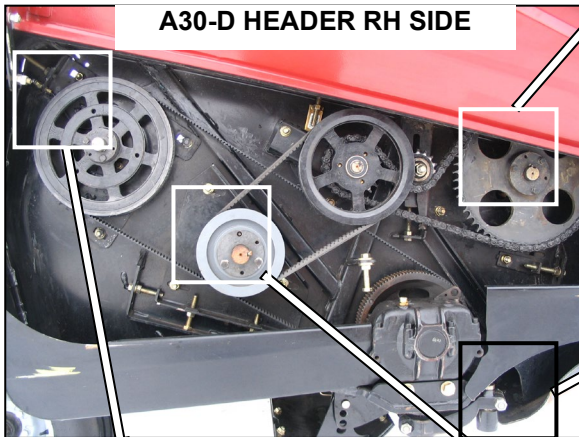
MAINTENANCE/SERVICE

II. A30-D HEADERS

High Temp. Extreme Pressure (EP2) Performance With 1% Max Molybdenum Disulphide (NLGI Grade 2).Lithium Base



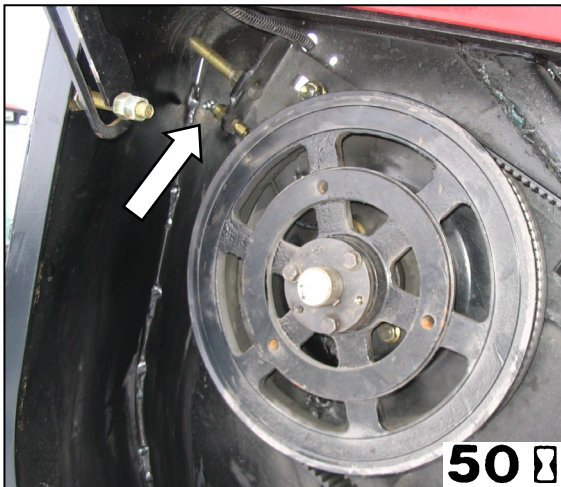
REEL SHAFT BEARING (1 PLC)



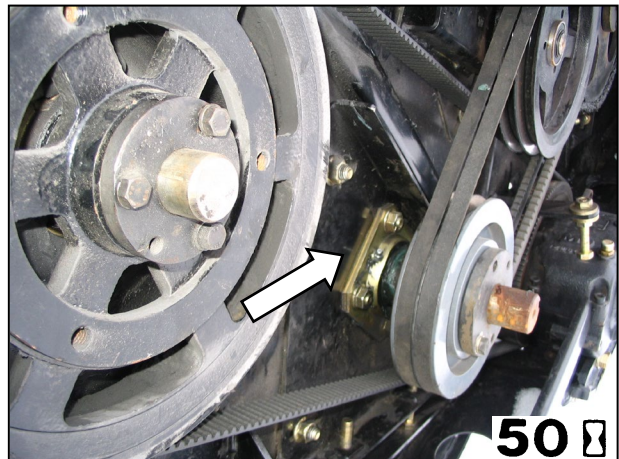
SICKLE HEAD BEARING (1 PLC)

NOTE

To prevent binding and/or excessive wear caused by sickle pressing on guards, do not over grease. If more than 6 to 8 pumps of the grease gun are required to fill the cavity, replace the seal in the sickle head.



SICKLE DRIVE BEARING (1 PLC)


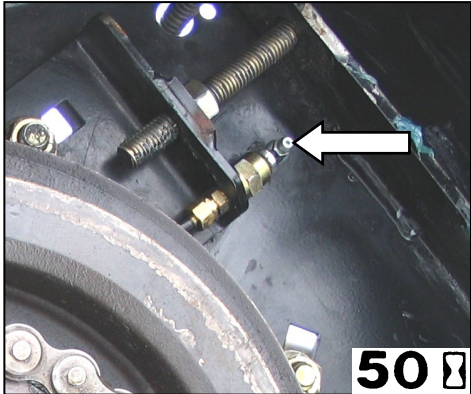


AUGER SHAFT BEARING (1 PLC)

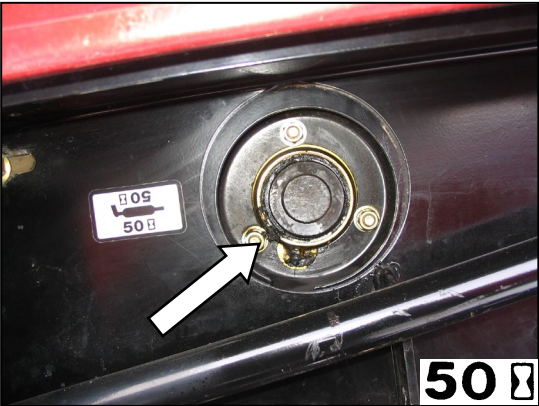
MAINTENANCE/SERVICE

A30-D Headers (Cont'd)

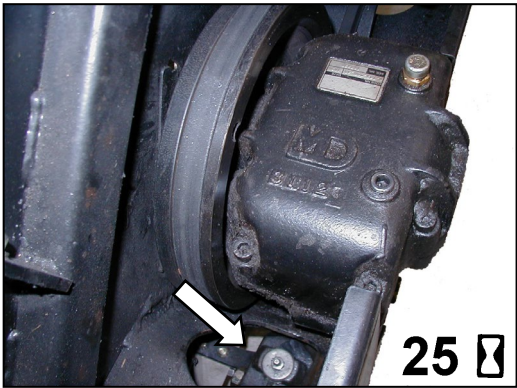
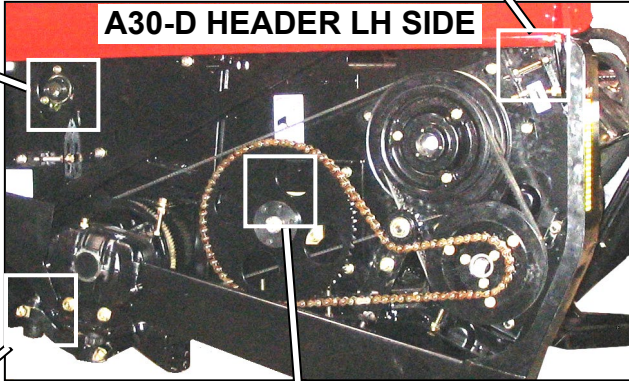
High Temp. Extreme Pressure (EP2) Performance With 1% Max Molybdenum Disulphide (NLGI Grade 2), Lithium Base

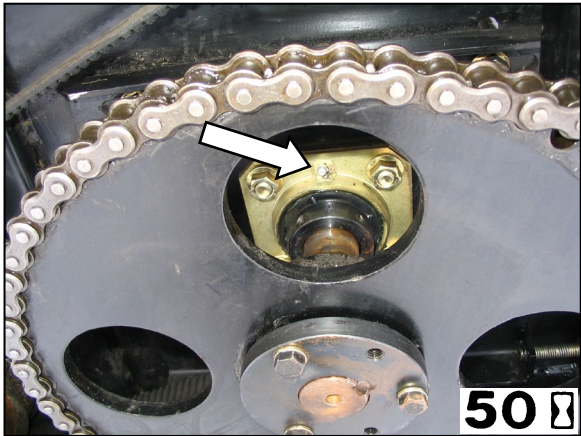
CROSS SHAFT BEARING (1 PLC)



REEL SHAFT BEARING (1 PLC)



SICKLE HEAD BEARING (1 PLC)



AUGER SHAFT BEARING (1 PLC)

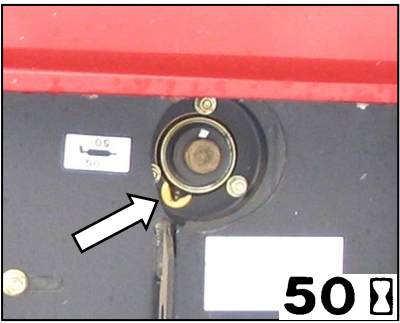

NOTE

To prevent binding and/or excessive wear caused by sickle pressing on guards, do not over grease. If more than 6 to 8 pumps of the grease gun are required to fill the cavity, replace the seal in the sickle head.

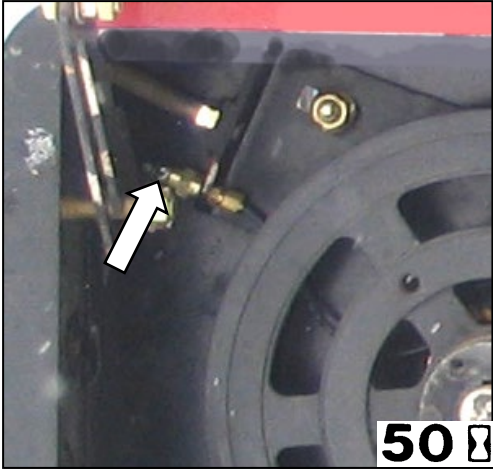
MAINTENANCE/SERVICE

III. A40-D HEADERS

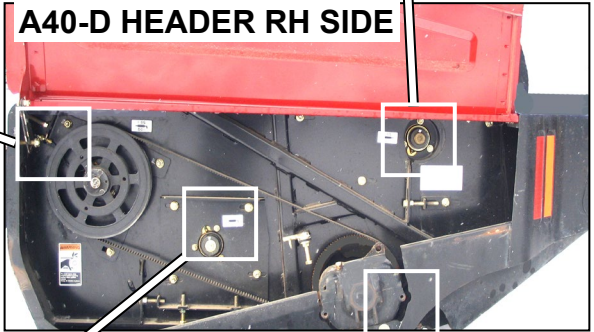
High Temp. Extreme Pressure (EP2) Performance With 1% Max Molybdenum Disulphide (NLGI Grade 2), Lithium Base



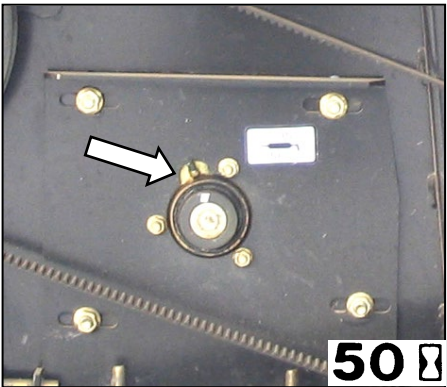
REEL SHAFT BEARING (1 PLC)



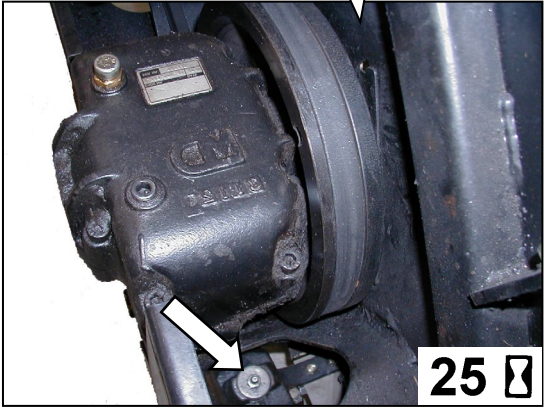
SICKLE DRIVE BEARING (1 PLC)



A40-D HEADER RH SIDE



AUGER SHAFT BEARING (1 PLC)



SICKLE HEAD BEARING (1 PLC)

NOTE


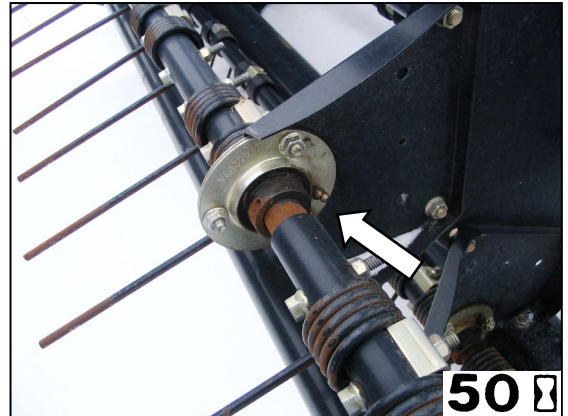
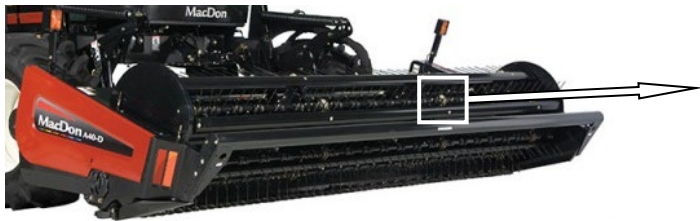
To prevent binding and/or excessive wear caused by sickle pressing on guards, do not over grease. If more than 6 to 8 pumps of the grease gun are required to fill the cavity, replace the seal in the sickle head.

MAINTENANCE/SERVICE

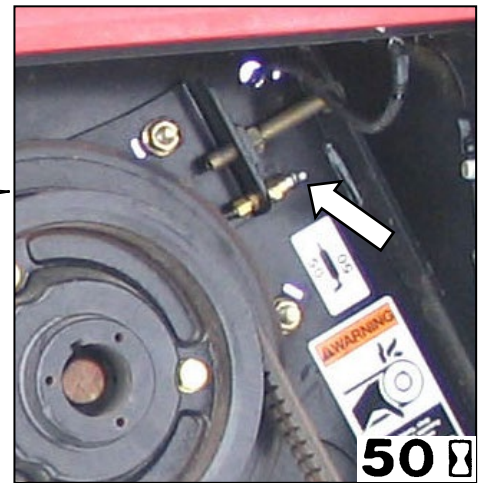
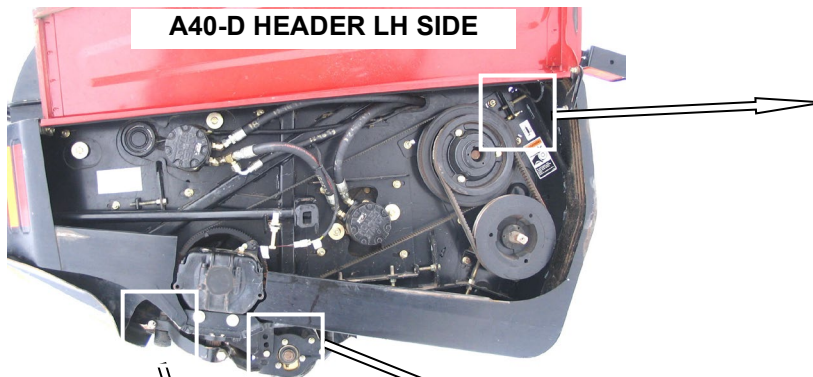
A40-D Headers (Cont'd)

IV.

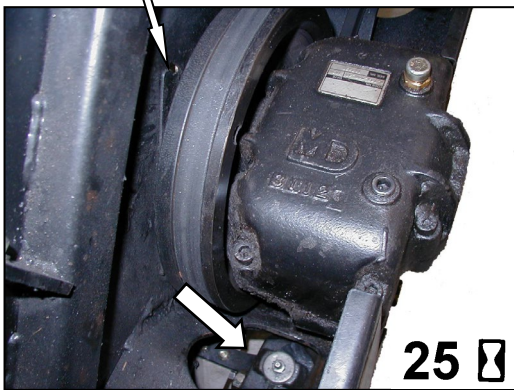
High Temp. Extreme Pressure (EP2) Performance With 1% Max Molybdenum Disulphide (NLGI Grade 2). Lithium Base

TINE BAR BEARING
(4 PLCS EACH TINE BAR)



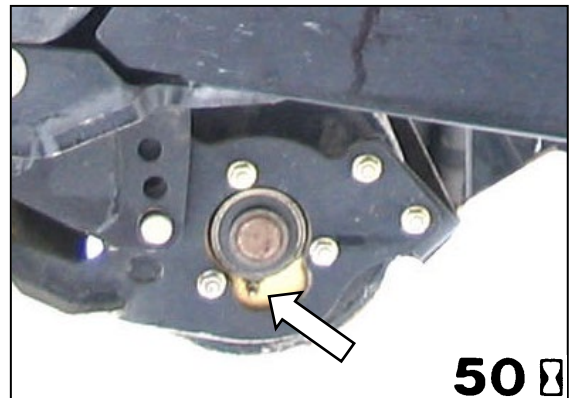
SICKLE DRIVE BEARING (1 PLC)



SICKLE HEAD BEARING (1 PLC)

NOTE

To prevent binding and/or excessive wear caused by sickle pressing on guards, do not over grease. If more than 6 to 8 pumps of the grease gun are required to fill the cavity, replace the seal in the sickle head.

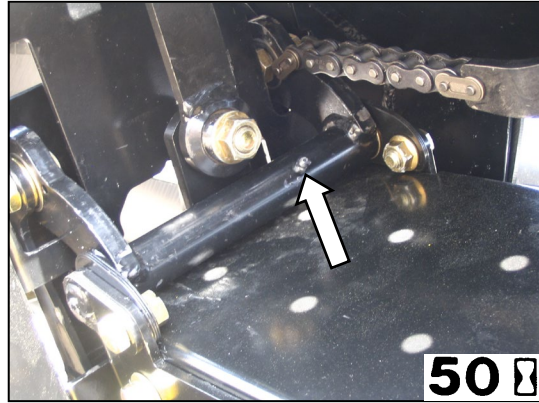


GAUGE ROLLER BEARINGS (2 PLCS)
BOTH SIDES – IF INSTALLED

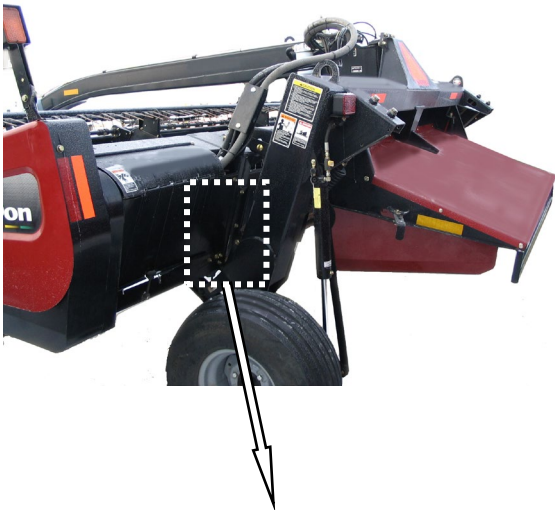
MAINTENANCE/SERVICE

IV. HAY CONDITIONER

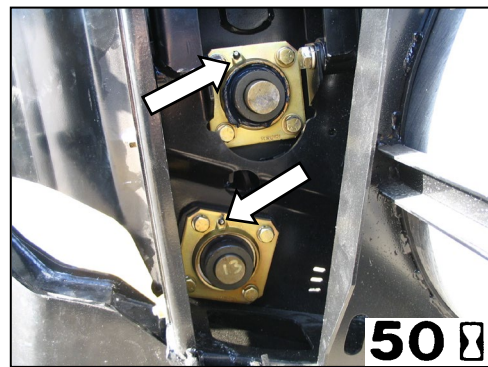
High Temp. Extreme Pressure
(EP2) Performance With 1%
Max Molybdenum Disulphide
(NLGI Grade 2).Lithium Base



ROLL PIVOT (1 PLC BOTH SIDES)



ROLL SHAFT BEARINGS (2 PLCS)


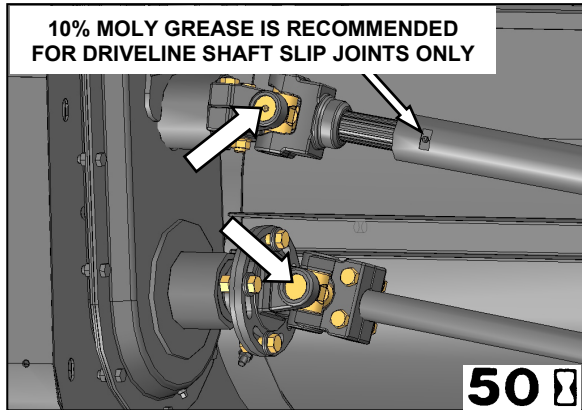
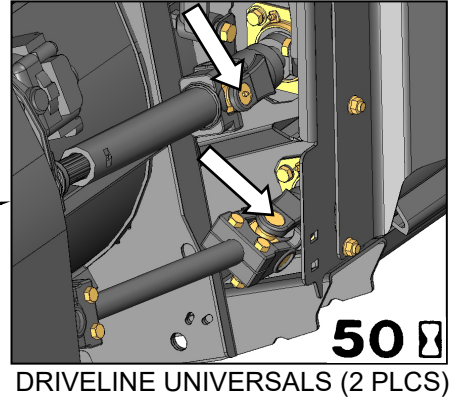
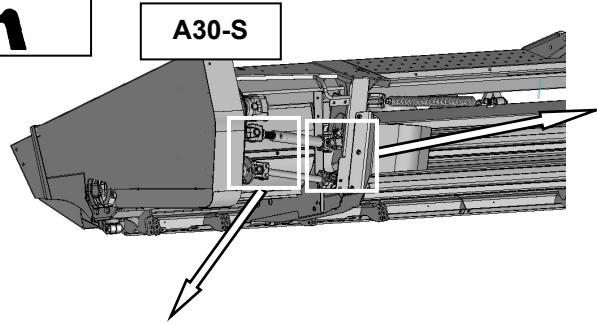


ROLL SHAFT BEARINGS (2 PLCS)

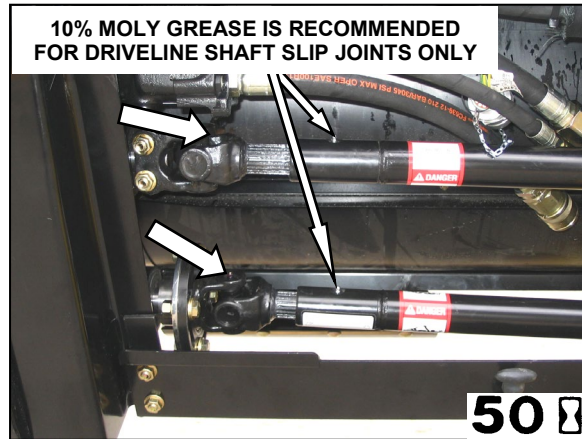
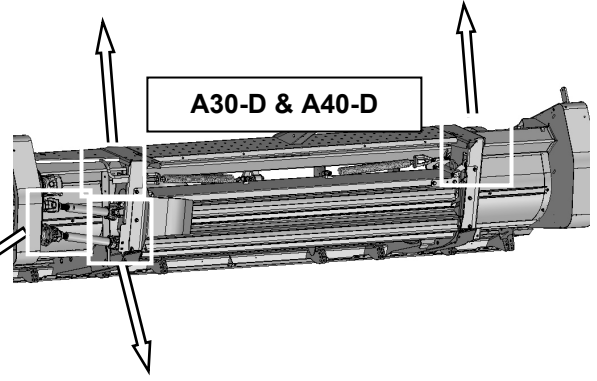
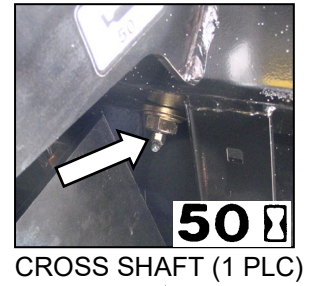
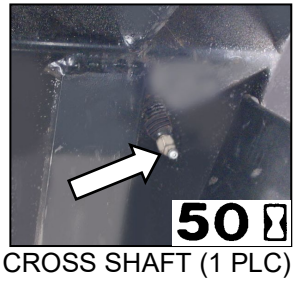
MAINTENANCE/SERVICE

V. DRIVELINES

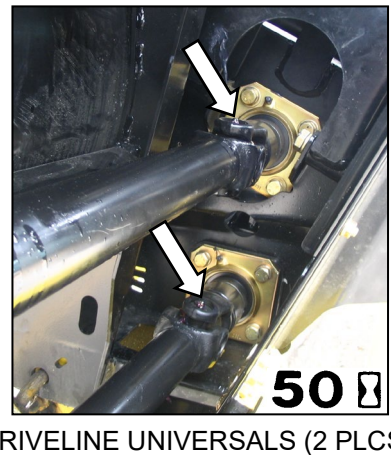
High Temp. Extreme Pressure (EP2) Performance With 1% Max Molybdenum Disulphide (NLGI Grade 2). Lithium Base

DRIVELINE UNIVERSALS (2 PLCS)
DRIVELINE SHAFTS (1 PLC)

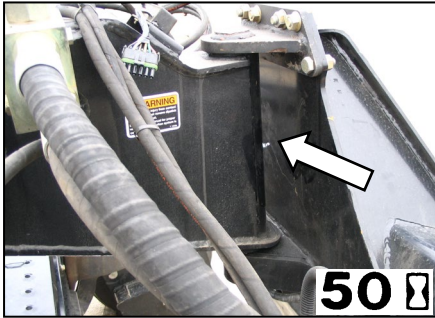


DRIVELINE UNIVERSALS (2 PLCS)
DRIVELINE SHAFTS (2 PLCS)

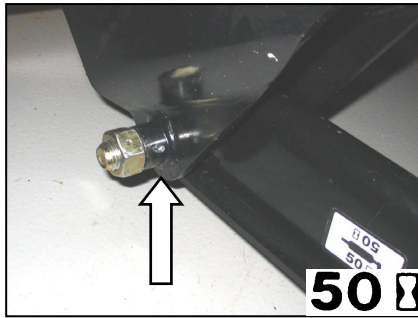


MAINTENANCE/SERVICE

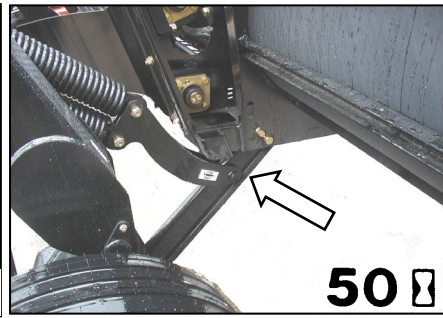
VI. PULL TYPE CARRIER FRAME



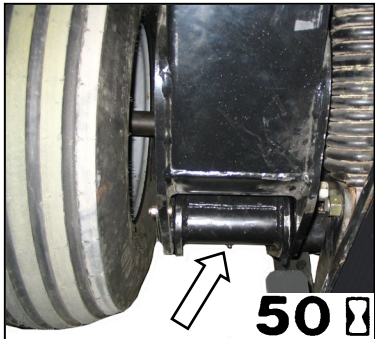
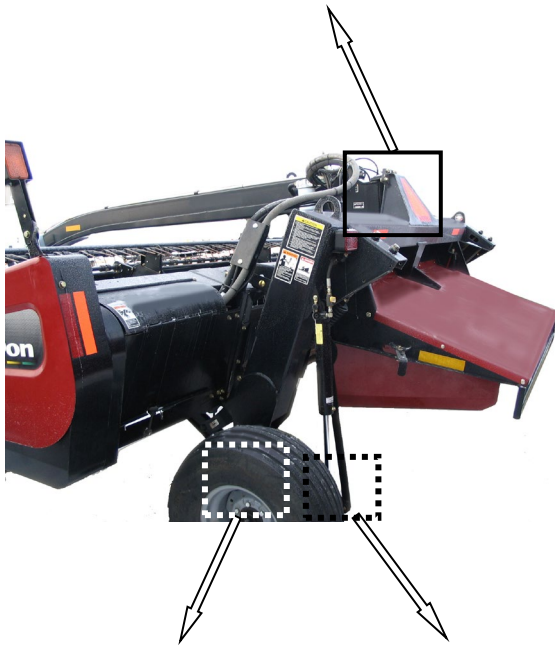
TONGUE PIVOT (1 PLC)



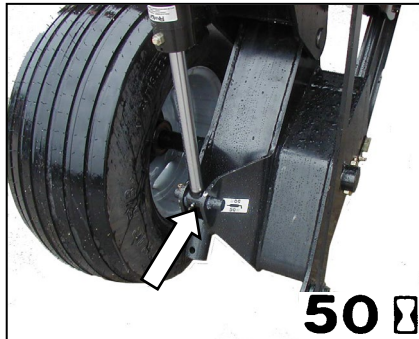
LIFT LINKAGE (2 PLCS) – BOTH SIDES



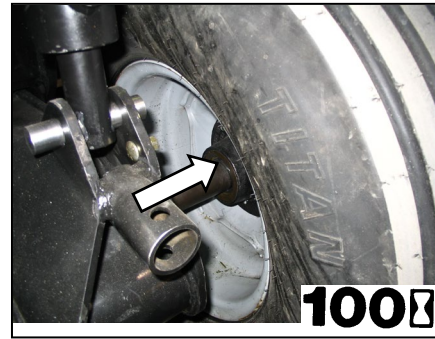
50



FRAME/HEADER PIVOT
(1 PLC) BOTH SIDES



LIFT CYLINDER (1 PLC)



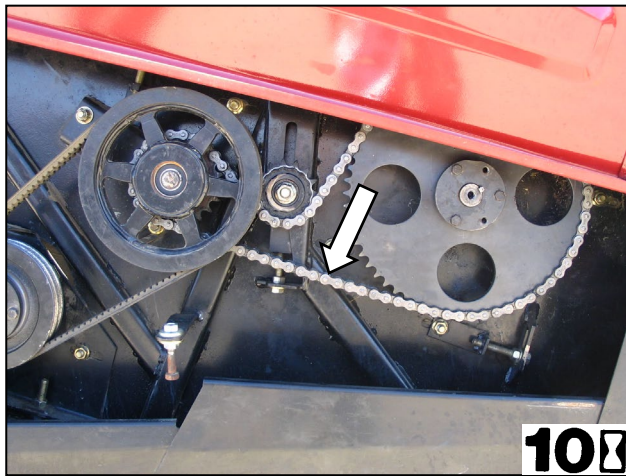
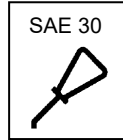
WHEEL BEARINGS
(1 PLC) - BOTH SIDES

MAINTENANCE/SERVICE

7.6.3 Oiling

Refer to the following illustration for identifying the various locations that require lubrication. See Section 7.4 Recommended Fluids and Lubricants, for proper oil.

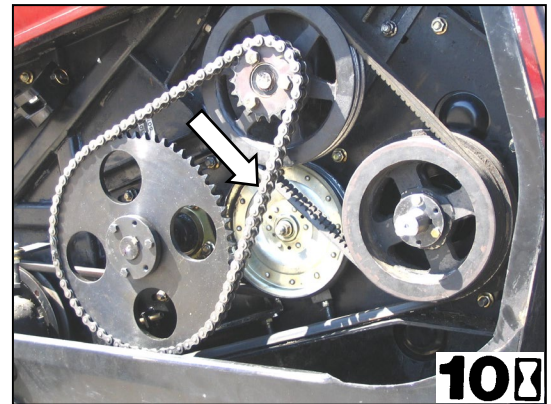
Apply oil to upper edge of lower spans when oiling chains.



REEL DRIVE CHAIN (1 PLC)



OIL KNIFE DAILY EXCEPT IN SANDY SOIL

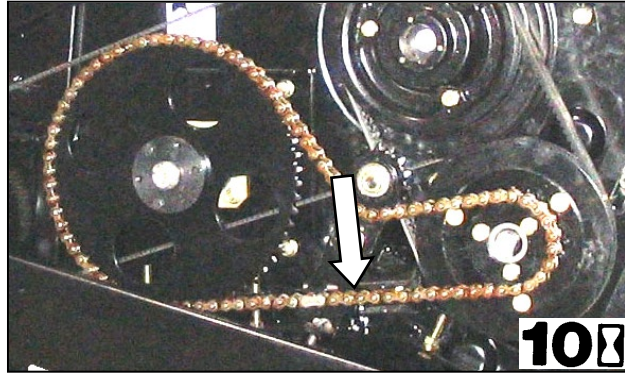
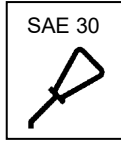


AUGER DRIVE CHAIN (1 PLC)

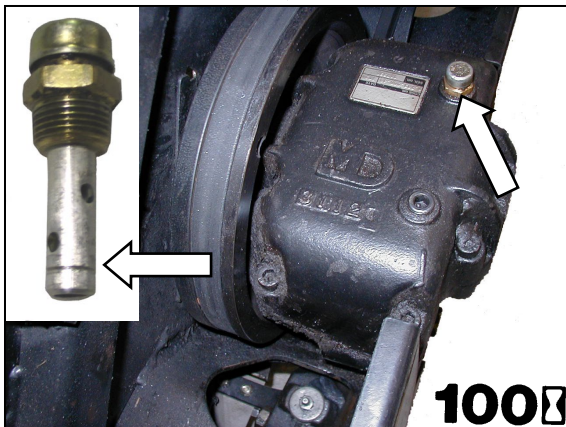
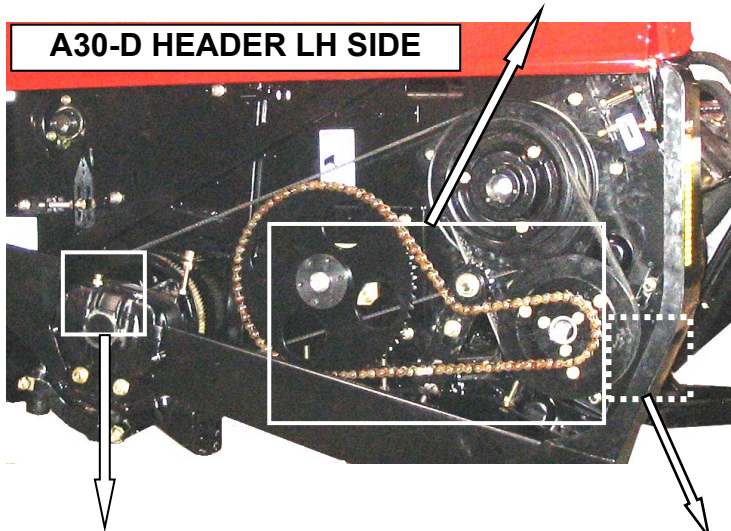


MAINTENANCE/SERVICE

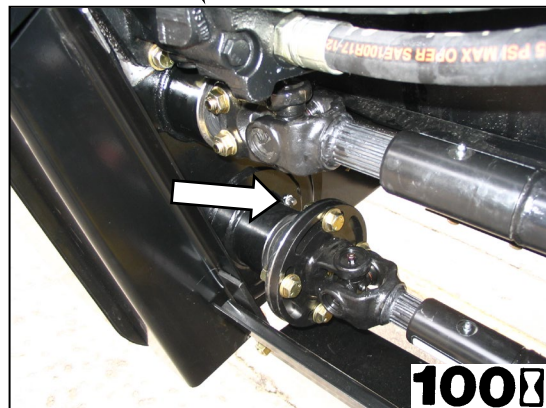
Oiling (Cont'd)



AUGER DRIVE CHAIN (1 PLC)



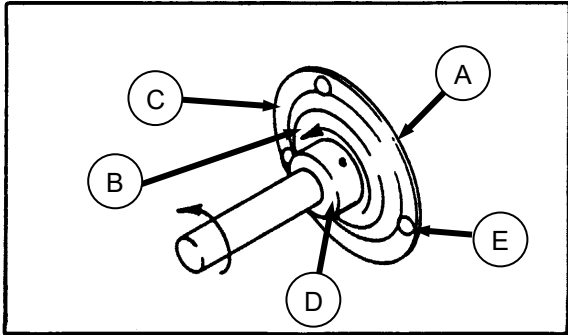
WOBBLE BOX
(A30-S 1 PLC) (A30-D/A40-D 2 PLCS)
(CHECK OIL LEVEL WITH TOP OF
WOBBLE BOX HORIZONTAL)



CHECK ROLL GEARBOX (1 PLC)

7.6.4 Sealed Bearing Installation

- a. Clean shaft and coat with rust preventative.



- b. Install flangette (A), bearing (B), second flangette (C) and lock collar (D).

NOTE

The locking cam is only on one side of the bearing.

- c. Install (but do not tighten) the flangette bolts (E).
- d. When the shaft is correctly located, lock the lock collar with a punch.

NOTE

The collar should be locked in the same direction the shaft rotates. Tighten the set screw in the collar.

- e. Tighten the flangette bolts (E).
- f. Loosen the flangette bolts on the mating bearing one turn and re-tighten. This will allow the bearing to line up.

MAINTENANCE/SERVICE

7.7 HYDRAULICS

7.7.1 Hydraulics – Self-Propelled

Refer to M100, or M150 & M200 Self-Propelled Windrower Operator's Manual for hydraulic system maintenance procedures for self-propelled windrowers.

7.7.2 Hydraulics – Pull-Type

The pull-type mower conditioner is hydraulically powered using the following systems:

- A self-contained hydraulic system to operate the header functions.
- The tractor remote system to operate the header lift cylinders and steering.



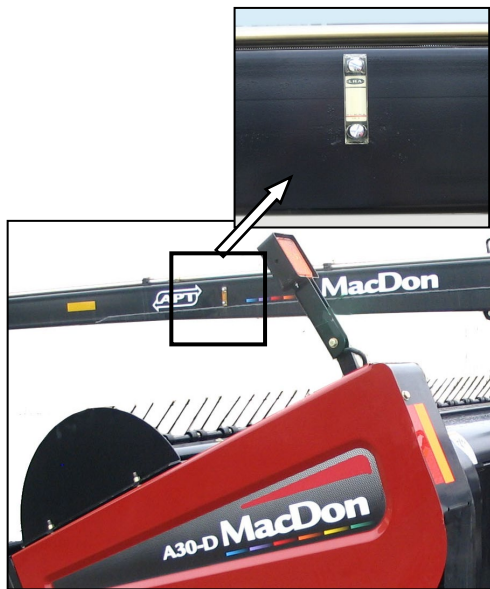
WARNING

Do not use remote hydraulic system pressures over 3000 psi (20684 kPa). Check your tractor manual for remote system pressure.

7.7.2.1 Reservoir

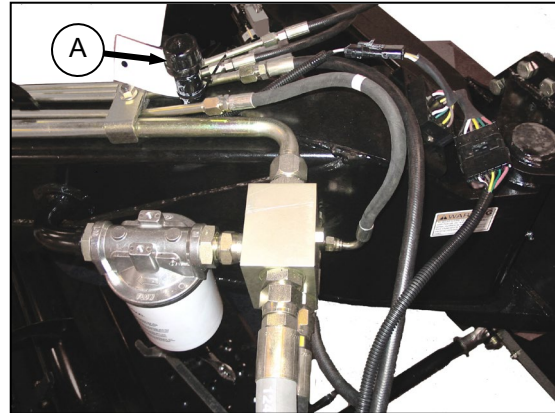
The mower conditioner's self-contained hydraulic system uses the APT of the machine for the hydraulic oil reservoir.

7.7.2.2 Oil Level



Check oil level daily (before start-up) at the sight gauge on the left side of the APT. Oil level should be at or near FULL mark on the gauge when top surface of APT is level and oil is cold.

7.7.2.3 Adding Hydraulic Oil



- Slowly unscrew filler cap (A) from filler tube.
- Add SAE 15W40 oil until level is between ADD and FULL marks on sight gauge.
- Replace filler cap.

7.7.2.4 Changing Hydraulic Oil

NOTE

Change hydraulic oil every 500 hours or 3 years.

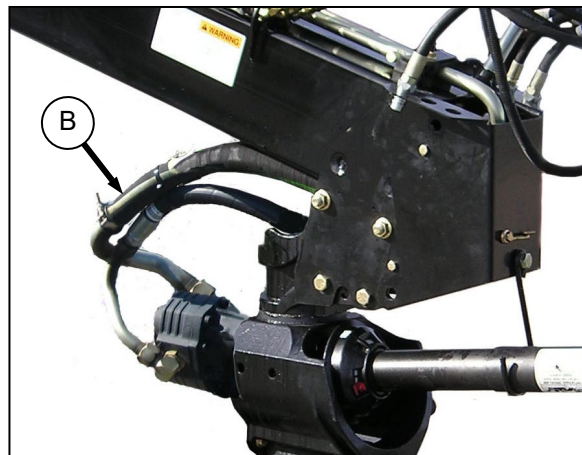
NOTE

A drain pan with a capacity of 130 liters (35 U.S. gallons) will be required.

NOTE

Mower conditioner must be disconnected from tractor. Refer to Section 6.5, Mower conditioner/Tractor Unhook.

- Remove filler cap (A) at aft end of APT.



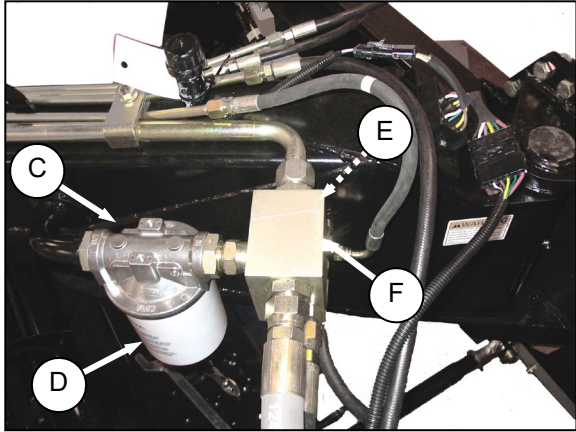
- Disconnect the pump suction hose (B) from the pump and drain into container.
- Reconnect pump suction hose to the pump.
- Fill reservoir to recommended level with SAE 15W30 oil. Capacity is 33 gal. US (126 liters).

MAINTENANCE/SERVICE

7.7.2.5 Changing Hydraulic Oil Filter

NOTE

Change hydraulic oil filter after the first 100 hours operation and every 250 hours thereafter.



- Clean around the filter head (C).
- Remove the filter (D) and clean the gasket surface of the filter head.
- Apply a thin film of clean oil to the gasket on the new filter.
- Install new filter. Turn the filter onto the mount until the gasket contacts the filter head. Tighten the filter an additional 1/2 to 3/4 turn by hand.

IMPORTANT

Do not use a filter wrench to install the filter. Over-tightening can damage gasket and filter.

7.7.2.6 Pressure Relief Valve

A possible cause of poor cutting performance and/or excessive heating of hydraulic oil is low relief pressure. The relief valve (E) is factory set at 4000 psi (27.6 MPa). See your dealer for adjustment or service. A pressure gauge can be installed at the gauge port (F) as shown.

7.7.3 Hoses and Lines

Check hydraulic hoses and lines daily for signs of leaks.



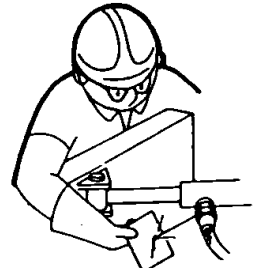
WARNING

Avoid high-pressure fluids. Escaping fluid can penetrate the skin causing serious injury. Relieve pressure before disconnecting hydraulic lines. Tighten all



connections before applying pressure. Keep hands and body away from pin-holes and nozzles which eject fluids under high pressure.

If ANY fluid is injected into the skin, it must be removed within a few hours by a doctor familiar with this type of injury or gangrene may result. Use a piece of cardboard or paper to search for leaks.



IMPORTANT

Keep hydraulic coupler tips and connectors clean. Dust, dirt, water and foreign material are the major causes of hydraulic system damage. DO NOT attempt to service hydraulic system in the field. Precision fits require WHITE ROOM CARE during overhaul.

MAINTENANCE/SERVICE

7.8 SICKLE AND SICKLE DRIVE



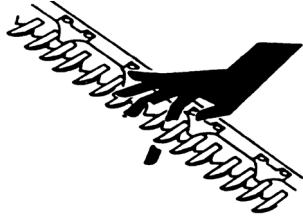
CAUTION

To avoid personal injury, before servicing header/mower conditioner or opening drive covers, follow procedures in Section 7.1, Preparation for Servicing.



WARNING

Keep hands clear of the area between guards and sickle at all times.



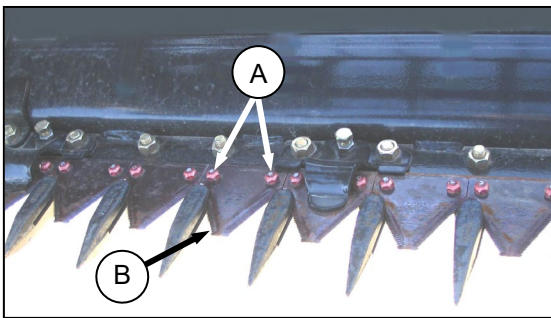
CAUTION

Wear heavy gloves when working around or handling sickles.

7.8.1 Sickle Section Replacement

Check daily that sections are firmly bolted to the sickle back and are not worn or broken. Replace as required. A worn or broken sickle section can be replaced without removing sickle from cutterbar.

- Stroke sickle as required to expose sickle sections.



- Remove lock nuts (A) and lift section (B) off of bolts.

IMPORTANT

Do not mix heavy and light sickle sections on same sickle.

- Clean any dirt off of sickle back and position new sickle section on bolts.
- Secure with lock-nuts and tighten to required torque.

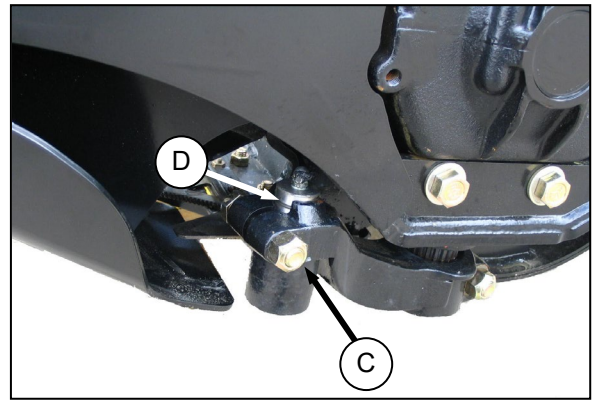
7.8.2 Sickle Removal



WARNING

Stand to rear of sickle during removal to reduce risk of injury from cutting edges. Wear heavy gloves when handling sickle.

- Stroke sickle to its outer limit.
- Clean area around sickle head and remove nut and bolt (C).
- Remove grease zerk from pin (D).
- Insert screwdriver in groove of pin (D) and pry up on sickle head pin to free sickle. Pin does not have to be removed from arm.



- Pull sickle out.
- Cover sickle head to shield bearing from dirt.

MAINTENANCE/SERVICE

7.8.3 Sickle Installation

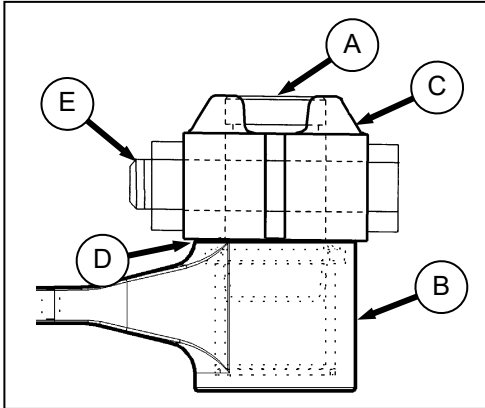


WARNING

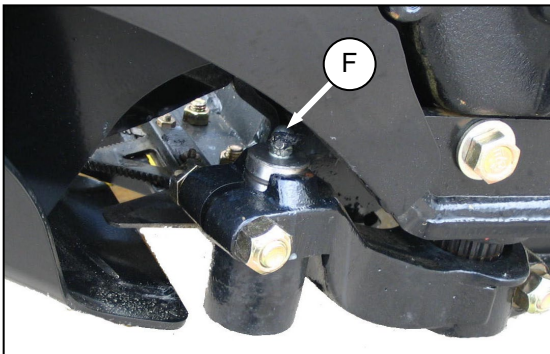
Stand to rear of sickle during installation to reduce risk of injury from cutting edges. Wear heavy gloves when handling sickle.

IMPORTANT

Align guards and re-set sickle hold-downs while replacing sickle.



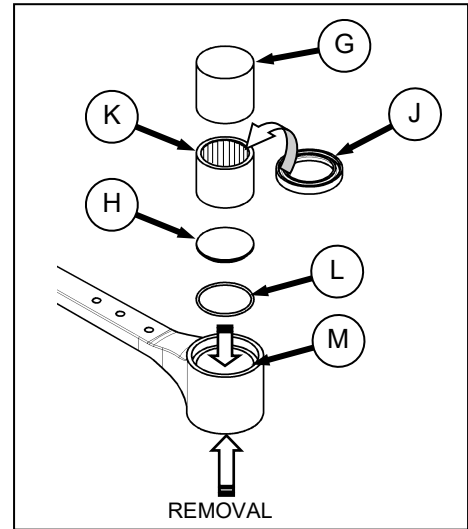
- If sickle head pin (A) is installed in the sickle head (B), remove the pin.
- Slide sickle into place and align sickle head (B) with pitman arm.
- Install sickle head pin (A) in pitman arm (C) and tap it down into the sickle head, ensuring pin is bottomed out in the sickle head.
- Tap the underside of the sickle head until the pin is flush with the upper face of the pitman arm (C).
- Carefully adjust to achieve a 0.010 in. (.25 mm) gap at (D) with the knife laying flat on the first few guards.
- Replace bolt (E) and nut.
- Tighten nut to 160 ft·lbf (220 N·m).



- Replace grease zerk (F) in pin.
- Grease bearing if it has been replaced.

7.8.4 Sickle Head Bearing Removal

- Remove the sickle. See Section 7.8.2.



- Using a flat-ended tool (G) with approximately the same diameter as the plug (H), tap out the seal (J), bearing (K), and plug (H) from the underside of the head.

NOTE

The seal can be replaced without removing the bearing. When changing seal, check pin and needle bearing for wear. Replace if necessary.

7.8.5 Sickle Head Bearing Installation

- Place O-ring (L) and plug (H) in sickle head.

IMPORTANT

Assemble the bearing with the stamped end (the end with identification markings) against the tool.

- Using a flat-ended tool (G) with approximately the same diameter as the bearing (K), push the bearing into the sickle head until the top of the bearing is flush with the step (M) in sickle head.
- Install seal (J) in top of sickle head with lip facing outwards.

IMPORTANT

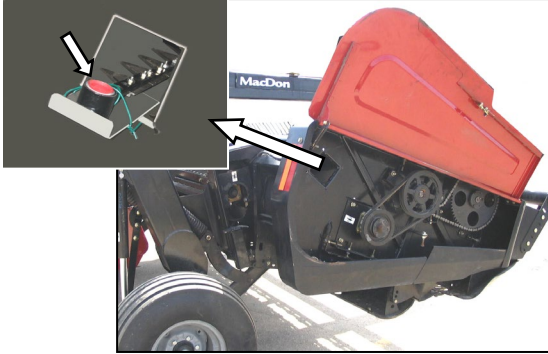
To avoid premature sickle head or wobble box failure, be sure there is no looseness in:

- Fit of sickle head pin and needle bearing.
 - Fit of sickle head pin and pitman arm.
- Install sickle.

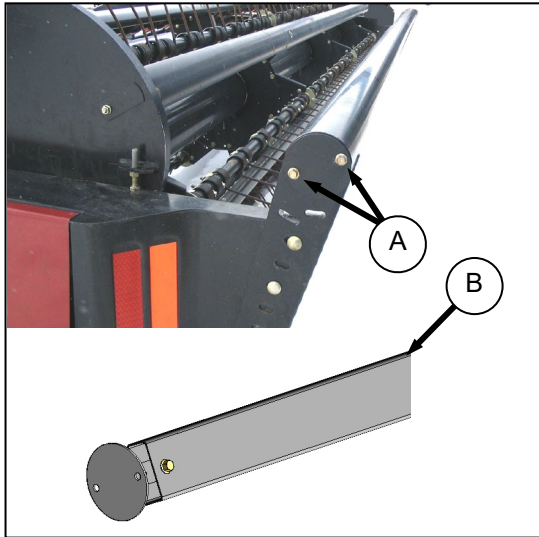
MAINTENANCE/SERVICE

7.8.6 Spare Sickle

- a. A spare sickle complete with knife head on single knife headers may be stored in the header frame tube at right end as shown. Ensure sickle is secured in place.



- b. Spare sickles with the knife head for double knife headers may be stored inside the lean bar. The LH sickle is stored at the LH end of the lean bar and the RH sickle is stored at the right end of the lean bar. To remove the sickle, refer to following illustration and proceed as follows:



CAUTION

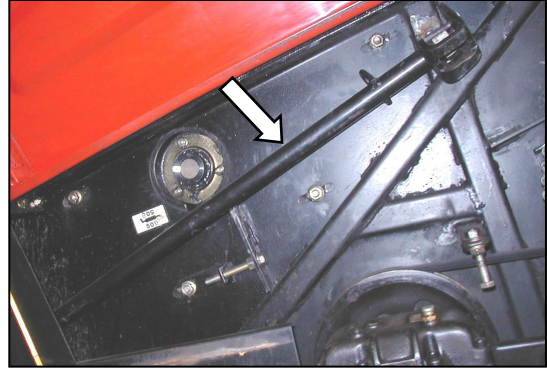
Stop engine and remove key from ignition before leaving operator's seat for any reason. A child or even a pet could engage an idling machine.

1. Remove bolts (A) from lean bar end cap.
2. Pull out end cap and plastic storage tube assembly (B) with the sickle inside.
3. Slide knife from storage tube (B).
4. Replace storage tube inside lean bar.
5. Reinstall bolts (A) and tighten.

7.8.7 Sickle Guards

Check daily that guards are aligned to obtain proper shear cut between sickle section and guard. Sickle sections should contact shear surface of each guard.

7.8.7.1 Guard Alignment



- a. Retrieve tool from LH side of header.



DOWNWARD ADJUSTMENT

- b. To adjust guard tips downward, position tool as shown at and push down.



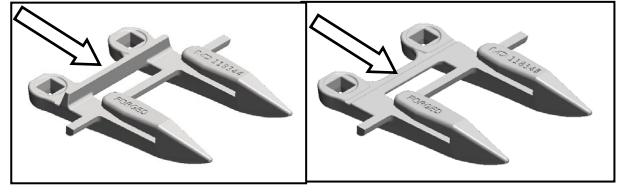
UPWARD ADJUSTMENT

- c. To adjust tips upward, position tool as shown and pull up.

(continued next page)

MAINTENANCE/SERVICE

TIP: If trouble is encountered cutting tangled, or fine-stemmed material, replace guards with stub guards. If material is tough to cut, install stub guards with top guard and adjuster plate. A stub guard conversion kit for the header/mower conditioner is available from your dealer. Refer to Section 9.5, Stub Guard Conversion Kit.



NORMAL

DRIVE SIDE

7.8.7.2 Guard Replacement

Check daily that guards are firmly bolted to the cutterbar and are not worn or broken. Replace as required. A worn or broken guard can be replaced without removing sickle from cutterbar.

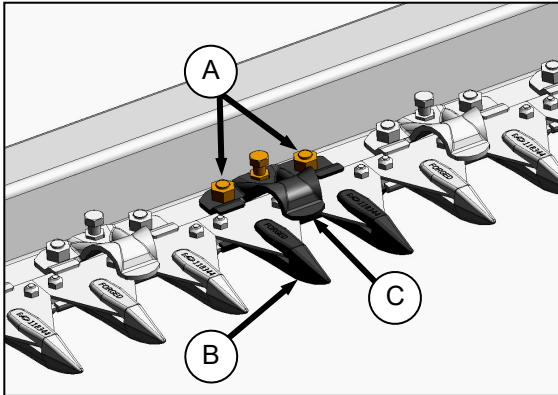
7.8.7.2.1 Pointed Guard Replacement -Single Knife



CAUTION

Stop engine and remove key from ignition before leaving operator's seat for any reason. A child or even a pet could engage an idling machine.

- a. Stroke the sickle so that the sickle sections are spaced midway between the guards.



- b. Remove the two nuts (A) and bolts that attach guard (B) and hold-down (C) (if applicable) to the cutterbar.
- c. Remove the guard and hold-down.
- d. Position new guard and on cutterbar and install carriage bolts.

IMPORTANT

The second, third, and fourth outboard guards on drive side of the header do not have a support. Ensure that the proper replacement is installed.

- e. Install hold-down and secure with nuts. Tighten nuts to 50 ft·lbf (68 N·m).
- f. Check and adjust clearance between hold-down and sickle. Refer to Section 7.8.8, Sickle Hold-Downs.

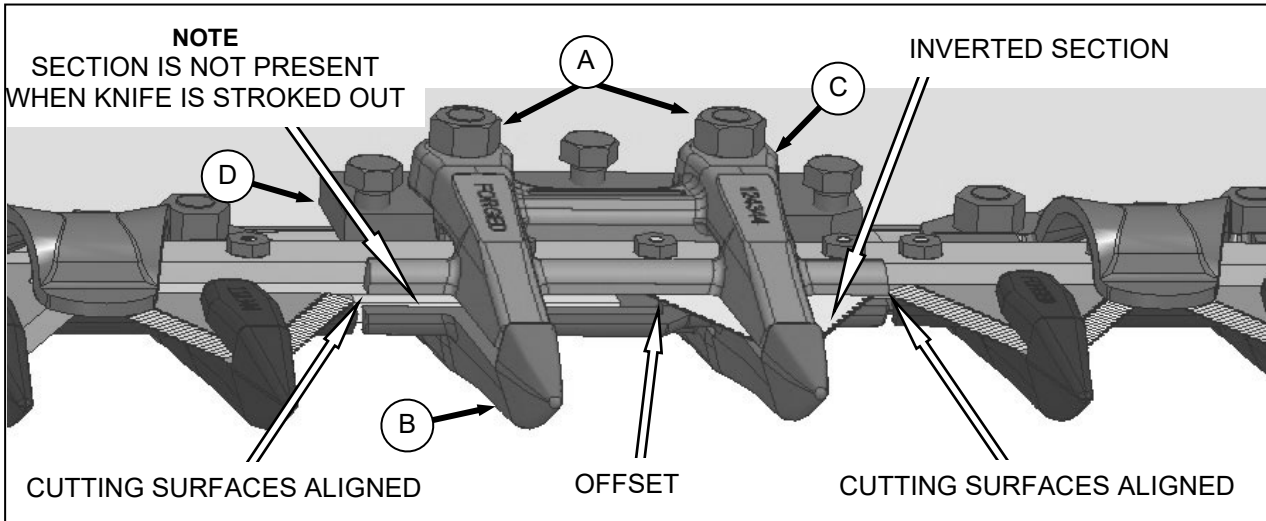
MAINTENANCE/SERVICE

7.8.7.2.2 Pointed Guard Replacement -Double Knife

Refer to previous section for standard guard replacement. The guard near the center of the double knife header, where the two sickles overlap, requires a slightly different replacement procedure.

IMPORTANT

Replace adjacent guards when replacing center guard.



CENTER POINTED GUARD AND HOLD-DOWN (SICKLES STROKED FULLY OUT)

- Remove the two nuts (A) and bolts that attach center guard (B) and top guide (C) to cutterbar.
- Remove guard and top guide (C), and adjuster bar (D).

IMPORTANT

Ensure center guard (B) has offset cutting surfaces. See illustrations.

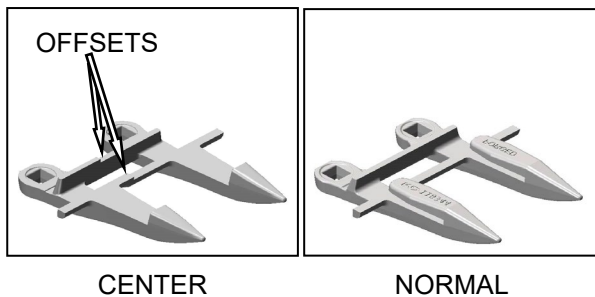
NOTE

Top guide (C) must accommodate the two overlapping knives at center guard (B) location on double-knife header. Ensure replacement is correct part.

IMPORTANT

Ledger surfaces of center and adjacent guards must be vertically aligned to avoid interference with sickle sections.

- Position replacement center guard (B), adjuster bar (D), top guide (C), and install bolts but do not tighten fully.
- Check and adjust clearance between top guide (C) and sickle. Refer to Section 7.8.8, Sickle Hold-Downs.



MAINTENANCE/SERVICE

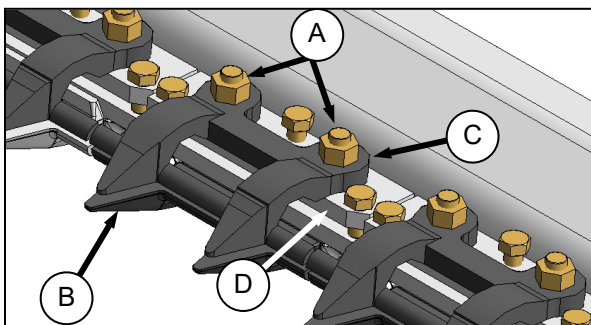
7.8.7.2.3 Stub Guard Replacement -Single Knife

Stub guards, complete with top guides and adjuster plates are designed to cut tough crops.



CAUTION

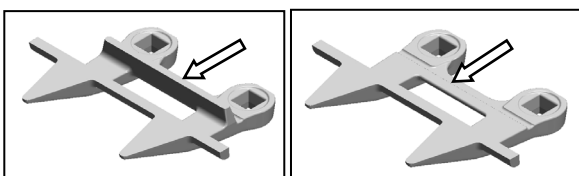
Stop engine and remove key from ignition before leaving operator's seat for any reason. A child or even a pet could engage an idling machine.



- Remove the two nuts (A) and bolts that attach guard (B) and top guide (C) to cutterbar.
- Remove guard, top guide, and adjuster bar (D).
- Position replacement guard (B), adjuster bar (D), top guide (C), and install bolts and nuts (A). Do not tighten.

IMPORTANT

Note position of mitre on adjuster bar (D). Bar should be reinstalled in same position. Mitres should not be adjacent to each other.



NORMAL

DRIVE SIDE

IMPORTANT

The second, third, and fourth outboard guards on drive side of the header do not have a support. Ensure that the proper replacement is installed.

- Check and adjust clearance between top guide and sickle. Refer to Section 7.8.8, Sickle Hold-Downs.

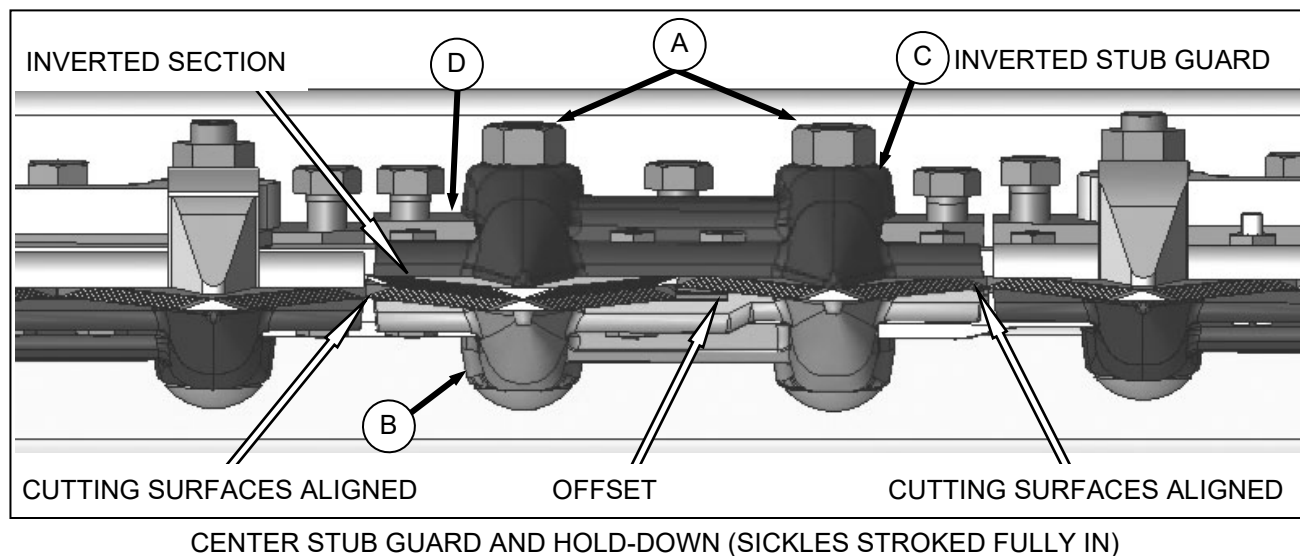
MAINTENANCE/SERVICE

7.8.7.2.4 Stub Guard Replacement -Double Knife

Refer to previous section for typical guard replacement. The guard near the center of the double knife header, where the two sickles overlap, requires a slightly different replacement procedure.

IMPORTANT

Replace adjacent guards when replacing center guard.



- Remove the two nuts (A) and bolts that attach center guard (B) and top guide (C) to cutterbar.
- Remove guard and top guide, and adjuster bar (D).

IMPORTANT

Ensure center guard (B) has offset cutting surfaces. See illustration.

NOTE

Top guide (C), which is an inverted stub guard, must accommodate the two overlapping knives at centre guard location on double-knife header. Ensure replacement is correct part.

IMPORTANT

Ledger surfaces of center and adjacent guards must be vertically aligned to avoid interference with sickle sections.

- Position replacement guard (B), adjuster bar (D), top guide (C), and install bolts and nuts (A) but do not tighten.
- Check and adjust clearance between hold-down and sickle. Refer to Section 7.8.8, Sickle Hold-Downs.

MAINTENANCE/SERVICE

7.8.8 Sickle Hold-Downs

Check daily that sickle hold-downs are set to prevent sickle sections from lifting off guards but still permit sickle to slide without binding.

NOTE

Guards should be aligned prior to adjusting hold-downs.

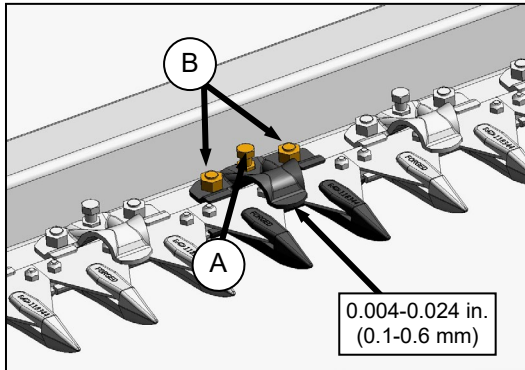


CAUTION

Stop engine and remove key from ignition before leaving operator's seat for any reason. A child or even a pet could engage an idling machine.

7.8.8.1 Sickle Hold-Down Adjustment -Pointed Guards

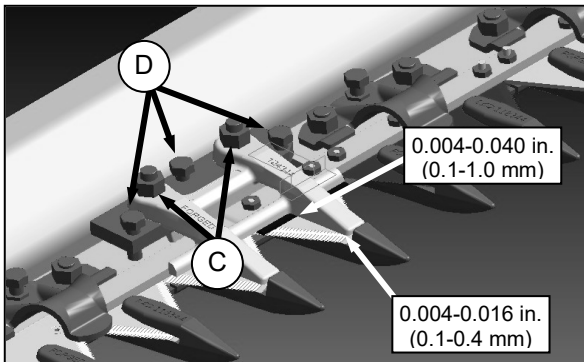
Single Knife



- Turn the adjuster bolt (A). Using a feeler gauge, clearance from hold-down to sickle section should be 0.004-0.024 in (0.1-0.6 mm).

NOTE

For larger adjustments, it may be necessary to loosen bolts (B), turn adjuster bolt (A), then retighten nuts (B).



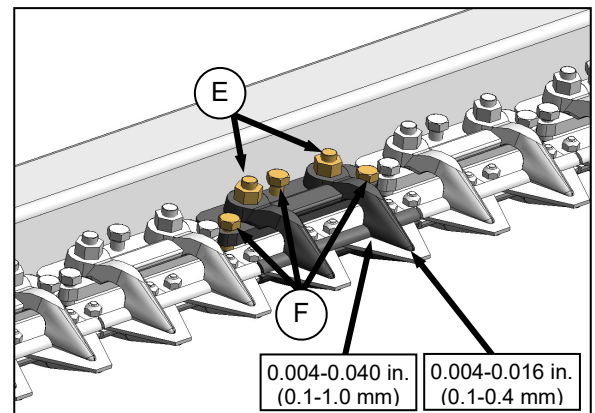
Double Knife

- Torque nuts (C) to 35 ft·lbf (46 N·m).

- Turn the adjuster bolts (D). Using a feeler gauge, clearance from hold-down to sickle section should be 0.004-0.016 in. (0.1-0.4 mm) at the guide tip, and 0.004-0.040 in. (0.1-1.0 mm) at rear of guide.
- Torque nuts (C) to 53 ft·lbf (72 N·m).
- After adjusting all hold-downs, run header at a low engine speed and listen for noise due to insufficient clearance. Insufficient clearance will also result in overheating of the sickle and guards.

7.8.8.2 Sickle Hold-Down Adjustment -Stub Guards

Single Knife

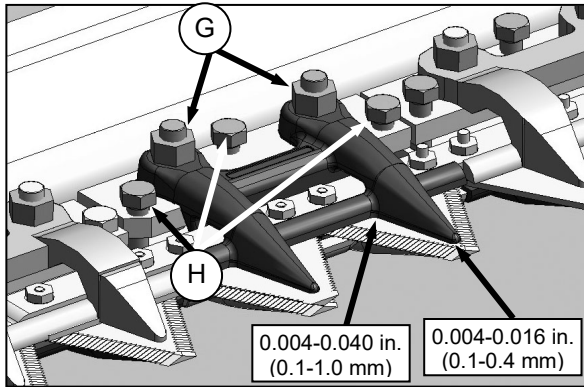


- Torque nuts (E) to 35 ft·lbf (46 N·m).
- Turn the adjuster bolts (F). Using a feeler gauge, clearance from hold-down to sickle section should be 0.004-0.016 in. (0.1-0.4 mm) at the guard tip, and 0.004-0.040 in. (0.1-1.0 mm) at rear of guide.
- Torque nuts (E) to 53 ft·lbf (72 N·m).

(continued next page)

MAINTENANCE/SERVICE

Double Knife



- a. Torque nuts (G) to 35 ft·lbf (46 N·m).
- b. Turn the adjuster bolts (H). Using a feeler gauge, clearance from hold-down to sickle section should be 0.004-0.016 in. (0.1-0.4 mm) at the guide tip, and 0.004-0.040 in. (0.1-1.0 mm) at rear of guide.
- c. Torque nuts (G) to 53 ft·lbf (72 N·m).
- d. After adjusting all hold-downs, run header at a low engine speed and listen for noise due to insufficient clearance. Insufficient clearance will also result in overheating of the sickle and guards.

MAINTENANCE/SERVICE

7.8.9 Sickle Drive Belt – A30-S



CAUTION

Stop engine and remove key from ignition before leaving operator's seat for any reason. A child or even a pet could engage an idling machine.

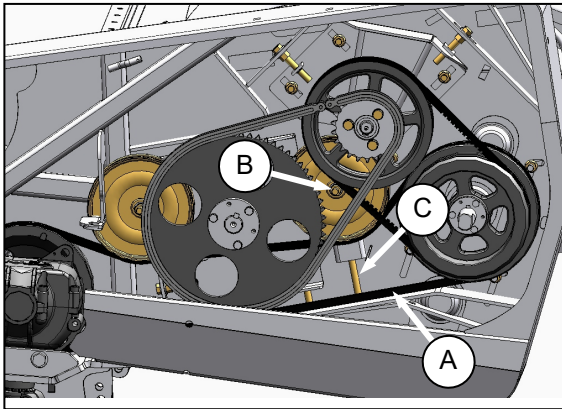
7.8.9.1 Tension Adjustment

Adjust tension on sickle drive belt (A) as follows:

IMPORTANT

To prolong belt and drive life, do not overtighten belts.

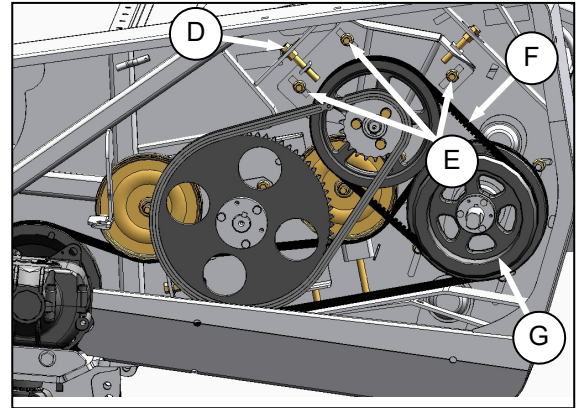
- a. Open LH end shield.



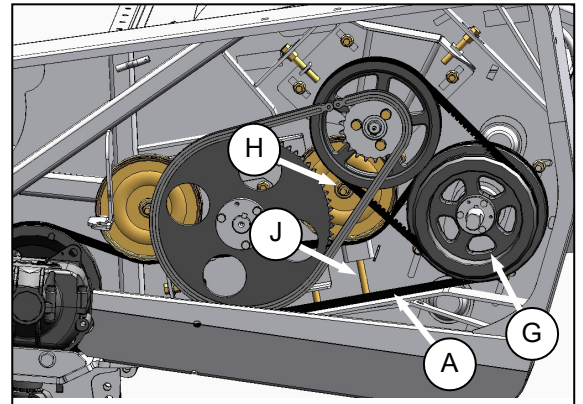
- b. Loosen nut (B) securing idler pulley.
- c. Loosen jam-nut on adjuster bolt (C).
- d. Turn adjuster bolt (C) to move idler until a force of 20 lbf (80 N) deflects belt (A) 1/4 in. (6 mm) at mid-span.
- e. Tighten jam-nut at (C) and nut (B) on idler pulley.
- f. Close shield.
- g. Re-adjust tension of a new belt after a short run-in period, (about 5 hours).

7.8.9.2 Removal – A30-S Sickle Drive Belt

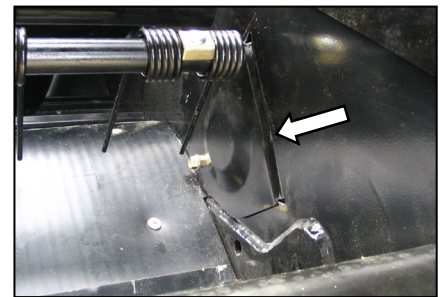
Remove sickle drive belt (A) as follows:



- a. Open LH end shield.
- b. Loosen jam-nut on adjuster bolt (D).
- c. Loosen three bolts (E).
- d. Turn adjuster bolt (D) to loosen auger drive belts (F) so they can be slipped off pulley (G).



- e. Loosen nut (H) securing idler pulley.
- f. Loosen jam-nut on adjuster bolt (J).
- g. Turn adjuster bolt (J) so that sickle drive belt (A) can be slipped off pulley (G).

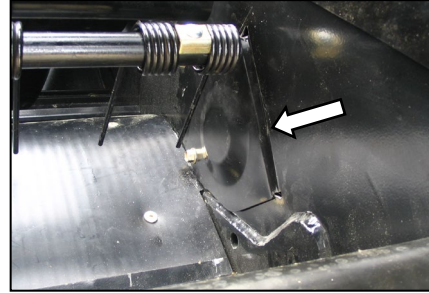
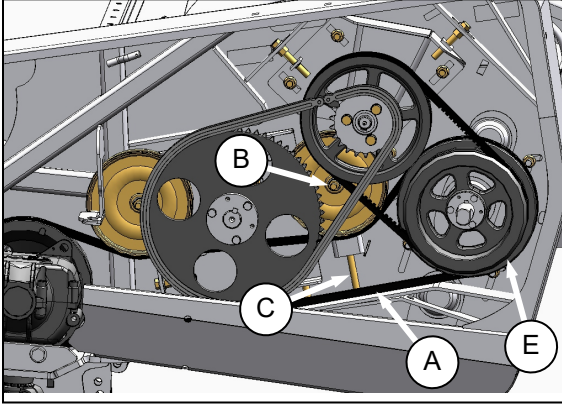


- h. Remove bolt-in plate in LH end sheet at wobble box.
- i. Slip belt off wobble box pulley and route belt through this hole to remove it.

MAINTENANCE/SERVICE

7.8.9.3 Installation – A30-S Sickle Drive Belt

Install sickle drive belt (A) as follows:



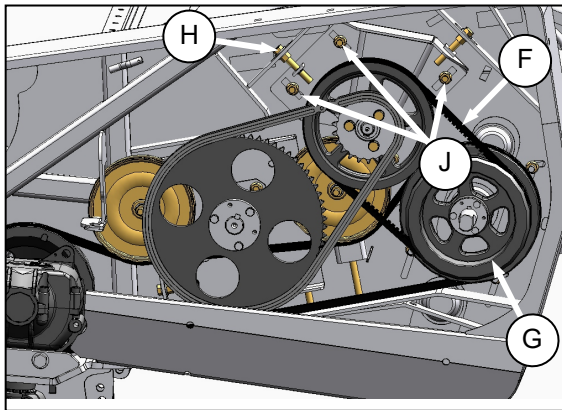
- g. Install bolt-in plate in LH end sheet at wobble box, and close end shield.
- h. Re-adjust tension of a new belt after a short run-in period, (about 5 hours).

- a. Route sickle drive belt (A) through opening in end sheet onto wobble box pulley and sickle drive pulley (E) as shown.

NOTE

When installing new belt, never pry belt over pulley. Be sure idler is fully loosened, then tension belt.

- b. Turn adjuster bolt (C) to move idler until a force of 20 lbf (80 N) deflects belt (A) 1/4 in. (6 mm) at mid-span.
- c. Tighten idler bolt (B).



- d. Position belts (F) on pulley (G) as shown.
- e. Turn adjuster bolt (H) so that each belt deflects 3/16 in. (4 mm) at mid-span when a load of 8-12 lbf (35-40 N) is applied to each belt.
- f. Tighten bolts (J) and jam-nut on (H).

MAINTENANCE/SERVICE

7.8.10 Sickle Drive Belts – A30-D

7.8.10.1 Tension Adjustment- LH Sickle Drive Belt, A30-D

Adjust tension on sickle drive belt (A) as follows:

IMPORTANT

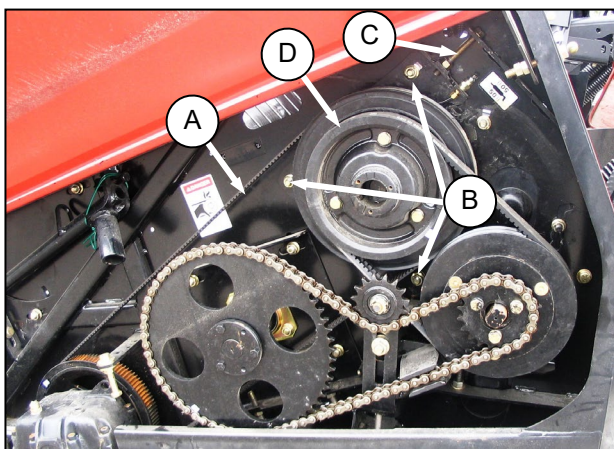
To prolong belt and drive life, do not over-tighten belts.



CAUTION

Stop engine and remove key from ignition before leaving operator's seat for any reason. A child or even a pet could engage an idling machine.

- Open LH end shield.

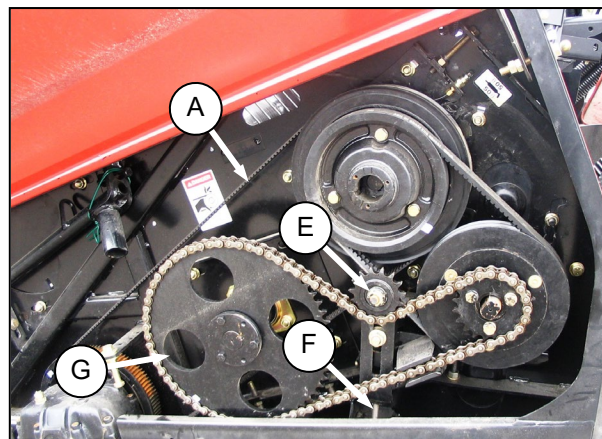


- Loosen three nuts (B).
- Loosen jam-nut on adjuster bolt (C).
- Turn adjuster bolt (C) to move pulley (D) until a force of 5-6.5 lbf (22-30 N) deflects belt (A) 0.55 in. (14 mm) at mid-span.
- Tighten jam-nut at (C) and three nuts (B).
- Close end shield.
- Re-adjust tension of a new belt after a short run-in period, (about 5 hours).

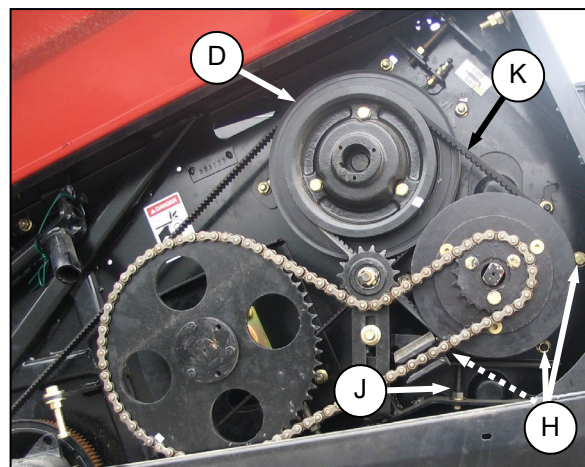
7.8.10.2 Removal – LH Sickle Drive Belt, A30-D

Remove sickle drive belt (A) as follows:

- Open LH end shield.



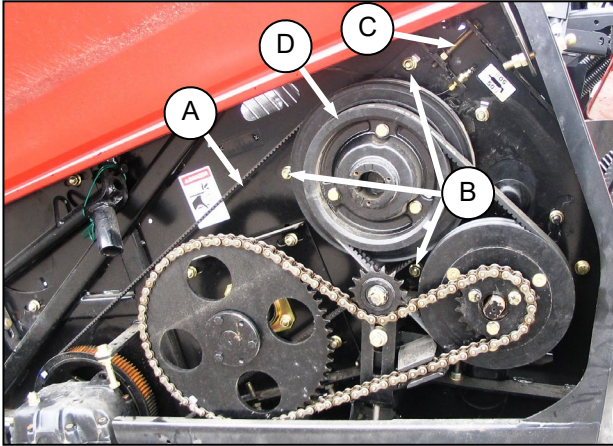
- Loosen nut (E) on idler sprocket.
- Turn adjuster bolt (F) to loosen chain so that it can be removed from large sprocket (G).



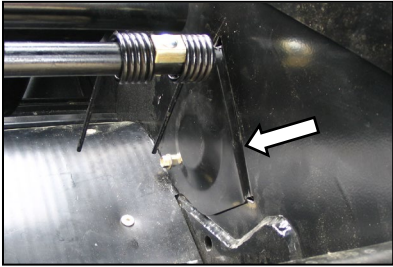
- Loosen nuts (H) and jam-nut on adjuster bolt (J).
- Turn adjuster bolt (J) to loosen V-belts (K) so that belts can be slipped off pulley (D).

(continued next page)

MAINTENANCE/SERVICE



- f. Loosen three nuts (B).
- g. Loosen jam-nut on adjuster bolt (C) and turn adjuster bolt (C) so that sickle drive belt (A) can be slipped off pulley (D).



- h. Remove bolt-in plate in LH end sheet at wobble box.
- i. Slip belt off wobble box pulley and route belt through this hole to remove it.

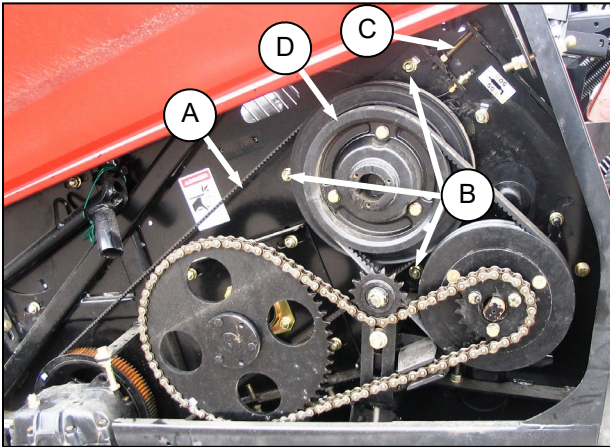
MAINTENANCE/SERVICE

7.8.10.3 Installation – LH Sickle Drive Belt, A30-D



CAUTION

Stop engine and remove key from ignition before leaving operator's seat for any reason. A child or even a pet could engage an idling machine.



- Route sickle drive belt (A) through opening in end sheet onto wobble box pulley and sickle drive pulley (D) as shown.

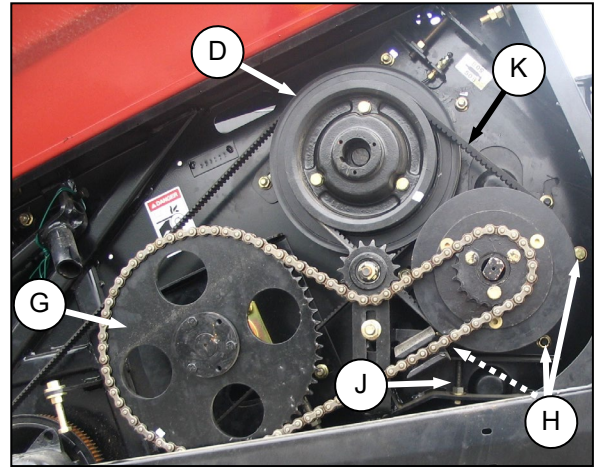
NOTE

When installing new belt, never pry belt over pulley. Be sure idler is fully loosened, then tension belt.

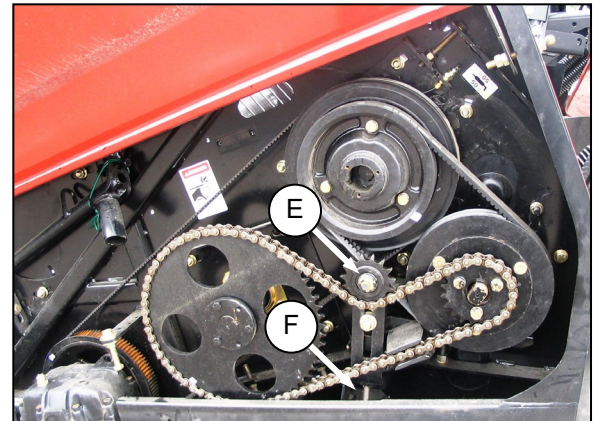
IMPORTANT

To prolong belt and drive life, do not over-tighten belts.

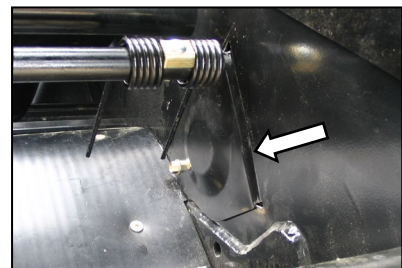
- Turn adjuster bolt (C) to move pulley (D) until a force of 5-6.5 lbf (22-30 N) deflects belt (A) 0.55 in. (14 mm) at mid-span.
- Tighten jam-nut at (C) and three nuts (B).



- Reposition V-belts (K) on pulley (D)
- Turn adjuster bolt (J) to move drive pulley until a force of 8-12 lbf (35-50 N) applied at mid-span on each belt (K) deflects each belt 0.16 in. (4 mm).
- Tighten jam-nut at (J) and three nuts (H).
- Reposition chain on large sprocket (G).



- Turn adjuster bolt (F) to tighten chain to give (5 mm) slack at mid-span. Tighten nut (E) on idler sprocket.
- Rotate auger and check chain for slack at tightest point. Re-adjust position of idler sprocket to achieve required slack.



- Install bolt-in plate in LH end sheet at wobble box and close end shield.
- Re-adjust tension of a new belt after a short run-in period, (about 5 hours).

MAINTENANCE/SERVICE

7.8.10.4 Tension Adjustment - RH Sickle Drive Belt, A30-D

IMPORTANT

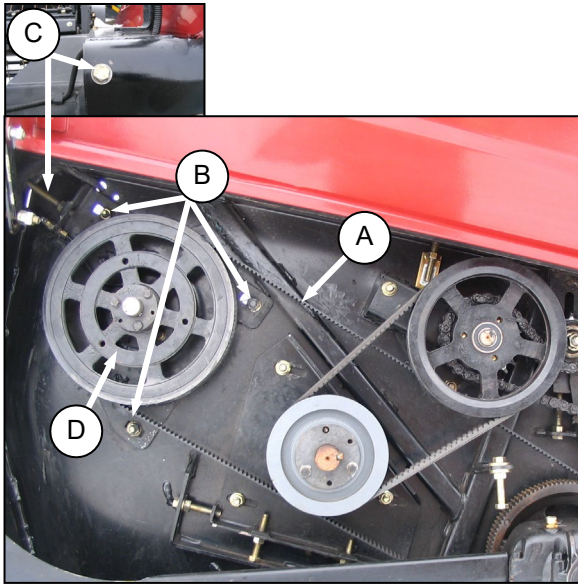
To prolong belt and drive life, do not over-tighten belts.



CAUTION

Stop engine and remove key from ignition before leaving operator's seat for any reason. A child or even a pet could engage an idling machine.

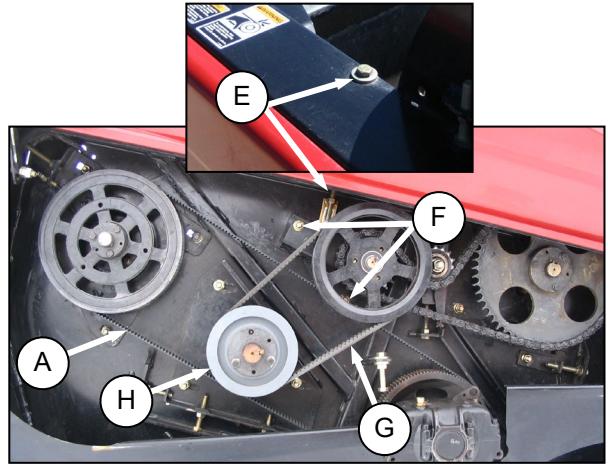
- a. Open RH end shield.



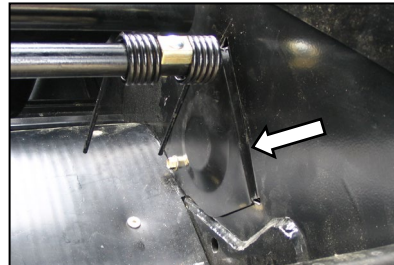
- b. Loosen three nuts (B) and jam-nut on adjuster bolt (C).
- c. Turn adjuster bolt (C) to move pulley (D) until a force of 5-6.5 lbf (22-30 N) applied at mid-span deflects belt (A) 0.55 in. (14 mm).
- d. Tighten jam-nut at (C) and three nuts (B).
- e. Close end shield.
- f. Re-adjust tension of a new belt after a short run-in period, (about 5 hours).

7.8.10.5 Removal – RH Sickle Drive Belt, A30-D

- a. Open shield on header RH side.



- b. Loosen jam-nut on adjuster bolt (E) and nuts (F).
- c. Turn adjuster bolt (E) to loosen reel drive V-belts (G) and remove belts from pulley (H).
- d. Loosen three nuts (B) and jam-nut on adjuster bolt (C).
- e. Turn adjuster bolt (C) so that sickle drive belt (A) can be slipped off pulley (D).



- f. Remove bolt-in plate in LH end sheet at wobble box.
- g. Slip belt off wobble box pulley and route belt through this hole to remove it.

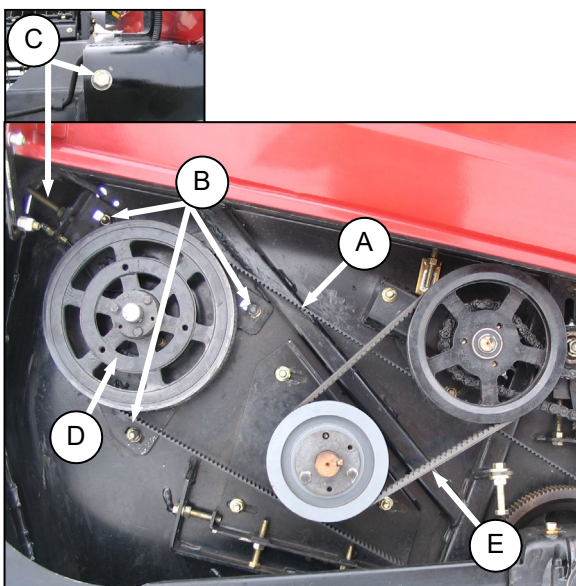
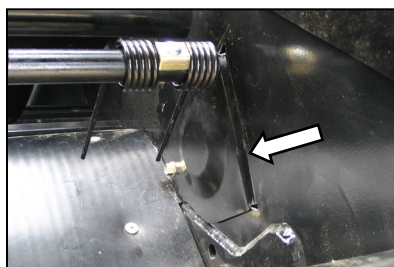
MAINTENANCE/SERVICE

7.8.10.6 Installation – RH Sickle Drive Belt, A30-D



CAUTION

Stop engine and remove key from ignition before leaving operator's seat for any reason. A child or even a pet could engage an idling machine.

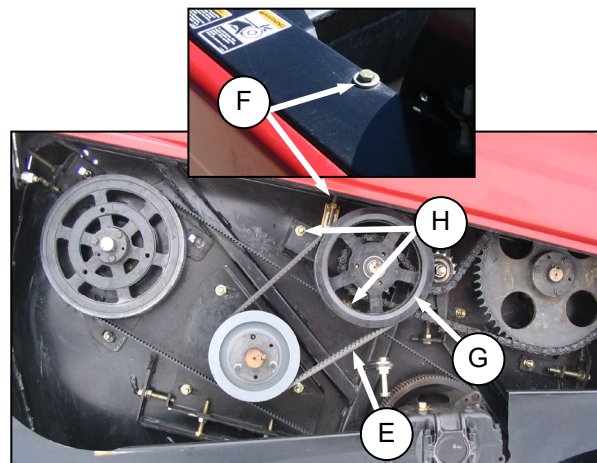


- Route sickle drive belt (A) through opening in end sheet onto wobble box pulley and sickle drive pulley (D).

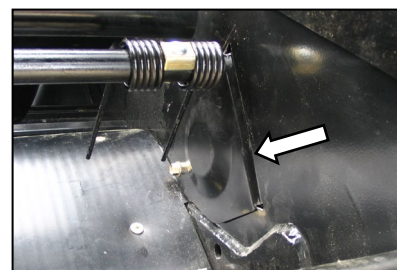
NOTE

When installing new belt, never pry belt over pulley. Be sure adjusting screw is fully loosened, then tension belt.

- Turn adjuster bolt (C) to move pulley (D) until a force of 5-6.5 lbf (22-30 N) applied at mid-span deflects belt (A) 0.55 in. (14 mm).
- Tighten jam-nut at (C) and three nuts (B).
- Position V-belts (E) on pulleys.



- Turn adjuster bolt (F) to move pulley (G) so that each belt (E) deflects 3/16 in. (4 mm) when a load of 8-12 lbf (35-40 N) is applied to each belt at mid-span.
- Tighten jam-nut on adjuster bolt (F) and nuts (H).



- Install bolt-in plate in RH end sheet at wobble box.
- Close end shield.
- Re-adjust tension of a new belt after a short run-in period, (about 5 hours).

MAINTENANCE/SERVICE

7.8.11 Sickle Drive Belts – A40-D

7.8.11.1 Tension Adjustment- LH Sickle Drive Belts, A40-D

IMPORTANT

To prolong belt and drive life, do not over-tighten belts.

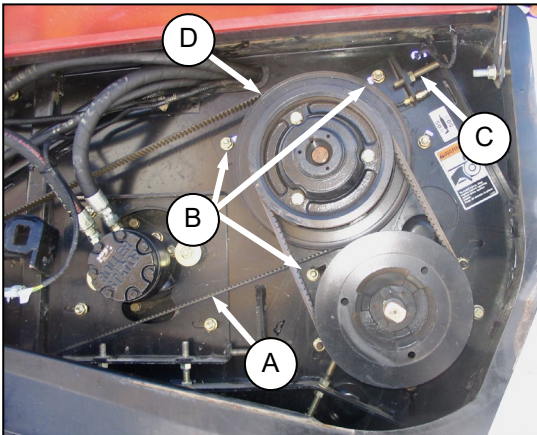
Timing belt



CAUTION

Stop engine and remove key from ignition before leaving operator's seat for any reason. A child or even a pet could engage an idling machine.

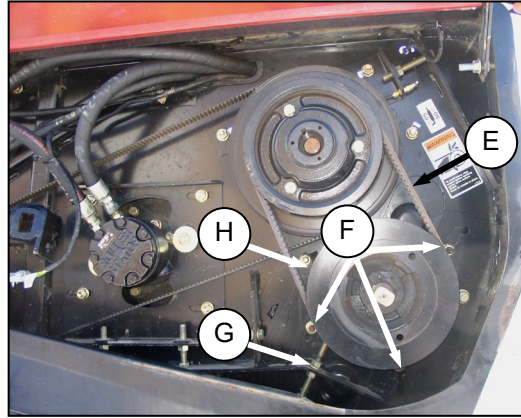
Adjust the LH sickle drive belt (A) tension as follows:



- Open the shield on the LH side of the header.
- Loosen three nuts (B) and jam-nut on adjuster bolt (C).
- Turn adjuster bolt (C) to move pulley (D) until a force of 5-6.5 lbf (22-30 N) applied at mid-span deflects belt (A) 0.55 in. (14 mm).
- Tighten jam-nut at (C) and three nuts (B).
- Re-adjust tension of a new belt after a short run-in period, (about 5 hours).

Double V-Belts

Adjust the sickle drive double V-belts (E) tension as follows:

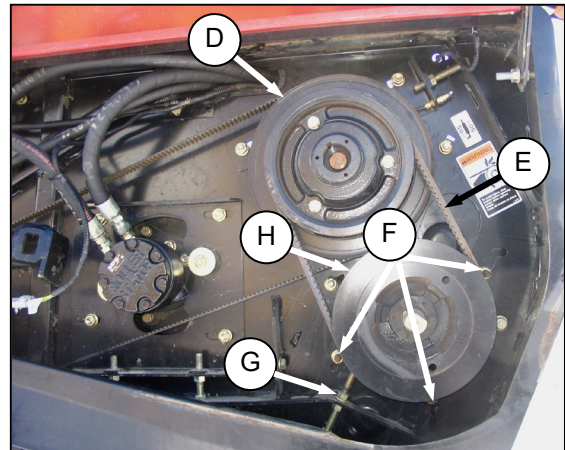


- Loosen three nuts (F) and jam-nut on adjuster bolt (G).
- Turn adjuster bolt (G) to move pulley (H) until a force of 8-12 lbf (35-50 N) applied to each belt at mid-span deflects each belt (E) 0.16 in. (4 mm).
- Tighten jam-nut at (G) and three nuts (F).
- Close end shield.
- Re-adjust tension of a new belt after a short run-in period, (about 5 hours).

7.8.11.2 Removal – LH Sickle Drive Belts, A40-D

Double V-Belts

Remove the sickle drive double V-belts (E) as follows:



- Open the shield on the LH side of the header.
- Loosen three nuts (F) and jam-nut on adjuster bolt (G).
- Turn adjuster bolt (G) so that drive belts (E) can be slipped off pulleys (D) and (H).

(continued next page)

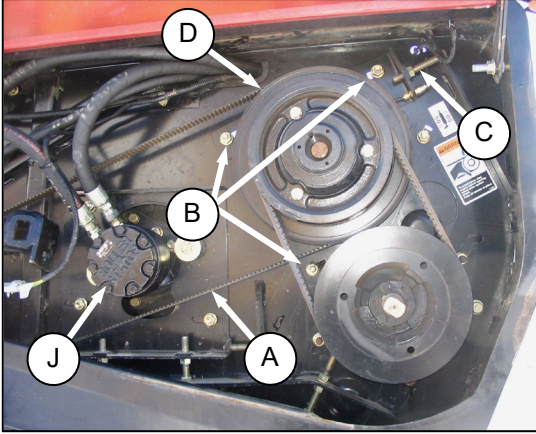
MAINTENANCE/SERVICE

Removal –LH Sickle Drive Belts, A40-D (cont'd)

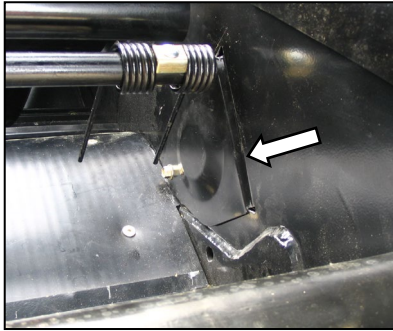
Timing belt

Remove the LH sickle drive belt (A) as follows:

- a. Remove double V-belts (E) as per previous page.



- b. Disconnect hoses from auger drive motor (J). Protect hose ends and motor ports with clean, lint free cloths or clean plastic bags.
- c. Loosen three nuts (B) and jam-nut on adjuster bolt (C).
- d. Turn adjuster bolt (C) so that sickle drive belt (A) can be slipped off pulley (D).



- e. Remove bolt-in plate in LH end sheet at wobble box.
- f. Slip belt off wobble box pulley and route belt through this hole to remove it.

7.8.11.3 Installation –LH Sickle Drive Belts, A40-D

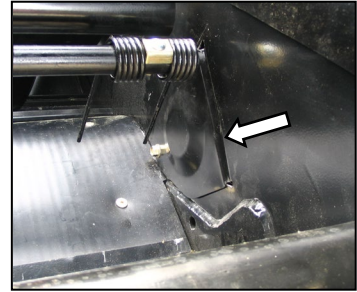


CAUTION

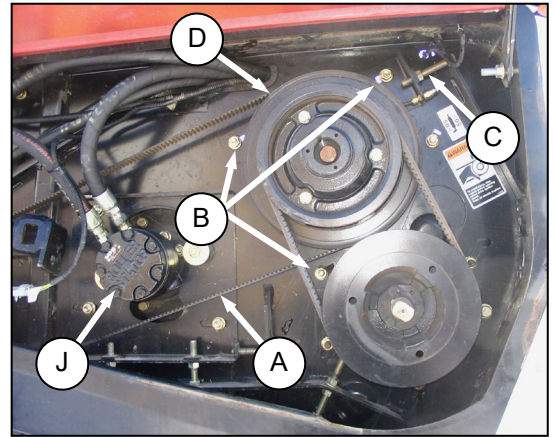
Stop engine and remove key from ignition before leaving operator's seat for any reason. A child or even a pet could engage an idling machine.

Timing belt

Install the LH sickle drive belt (A) as follows:



- a. Route sickle drive belt (A) through opening in end sheet onto wobble box pulley and sickle drive pulley (D) as shown.



NOTE

When installing new belt, never pry belt over pulley. Be sure adjusting screw is fully loosened, then tension belt.

IMPORTANT

To prolong belt and drive life, do not over-tighten belts.

- b. Turn adjuster bolt (C) to move pulley (D) until a force of 5-6.5 lbf (22-30 N) deflects belt (A) 0.55 in. (14 mm) at mid-span.
- c. Tighten jam-nut at (C) and three nuts (B).
- d. Reconnect hoses onto hydraulic motor (J).
- e. Re-adjust tension of a new belt after a short run-in period, (about 5 hours).

(continued next page)

MAINTENANCE/SERVICE

Installation – LH Sickle Drive Belts, A40-D (cont'd)

Double V-Belts

Install the sickle drive double V-belts (E) as follows:

IMPORTANT

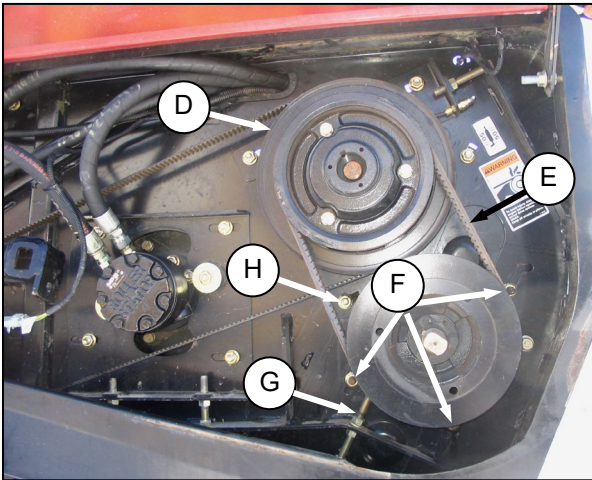
Belts are a matched set. Replace both drive belts even if only one needs replacing.

NOTE

When installing new belt, never pry belt over pulley. Be sure adjusting screw is fully loosened, then tension belt.

IMPORTANT

To prolong belt and drive life, do not over-tighten belts.



- Slip belts onto pulleys (H) and (D).
- Turn adjuster bolt (G) to move pulley (H) until a force of 8-12 lbf (35-50 N) applied at mid-span to each belt deflects each belt (E) 0.16 in. (4 mm).
- Tighten jam-nut at (G) and three nuts (F).
- Re-adjust tension of a new belt after a short run-in period, (about 5 hours).

7.8.11.4 Tension Adjustment - RH Sickle Drive Belts, A40-D

IMPORTANT

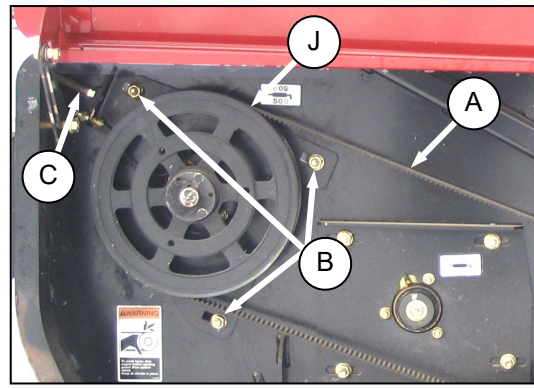
To prolong belt and drive life, do not over-tighten belts.



CAUTION

Stop engine and remove key from ignition before leaving operator's seat for any reason. A child or even a pet could engage an idling machine.

Adjust the RH sickle drive belt (A) tension as follows:



- Open RH end shield.
- Loosen three nuts (B) and jam-nut on adjuster bolt (C).
- Turn adjuster bolt (B) to move pulley (J) until a force of 5-6.5 lbf (22-30 N) deflects belt (A) 0.55 in. (14 mm) at mid-span.
- Tighten jam-nut at (C) and three nuts (B).
- Re-adjust tension of a new belt after a short run-in period, (about 5 hours).

MAINTENANCE/SERVICE

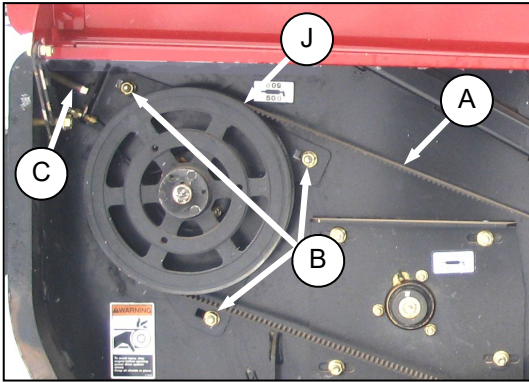
7.8.11.5 Removal – RH Sickle Drive Belt, A40-D



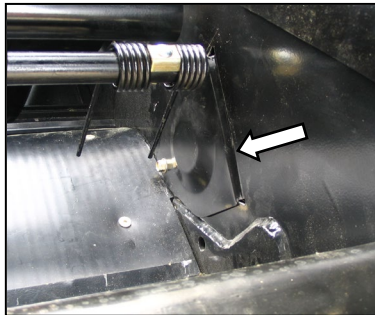
CAUTION

Stop engine and remove key from ignition before leaving operator's seat for any reason. A child or even a pet could engage an idling machine.

Remove the RH sickle drive belt (A) as follows:



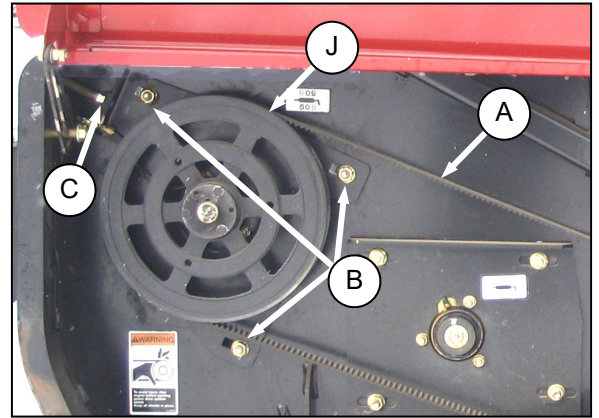
- Loosen three nuts (B) and jam-nut on adjuster bolt (C).
- Turn adjuster bolt (C) so that sickle drive belt (A) can be slipped off pulley (J).



- Remove bolt-in plate in LH end sheet at wobble box.
- Slip belt off wobble box pulley and route belt through this hole to remove it.

7.8.11.6 Installation –RH Sickle Drive Belt, A40-D

Install the RH sickle drive belt (A) as follows:



- Route sickle drive belt (A) through opening in end sheet onto wobble box pulley and sickle drive pulley (J) as shown.

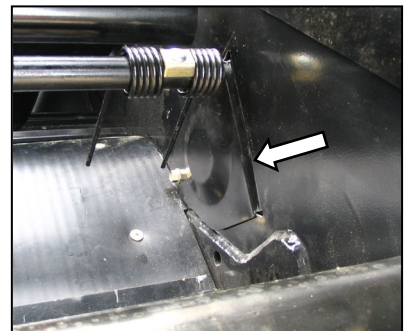
NOTE

When installing new belt, never pry belt over pulley. Be sure adjusting screw is fully loosened, then tension belt.

IMPORTANT

To prolong belt and drive life, do not over-tighten belts.

- Turn adjuster bolt (C) to move pulley (J) until a force of 5-6.5 lbf (22-30 N) deflects belt (A) 0.55 in. (14 mm) at mid-span.
- Tighten jam-nut at (C) and three nuts (B).



- Install bolt-in plate in LH end sheet at wobble box and close end shield.
- Re-adjust tension of a new belt after a short run-in period, (about 5 hours).

MAINTENANCE/SERVICE

7.8.12 Sickle Drive Timing Adjustment

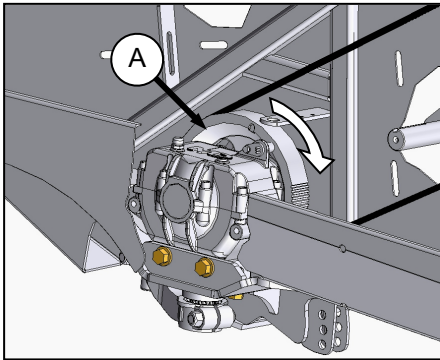
Double knife A30-D and A40-D Auger Headers require that the sickles are properly timed to move in opposite directions.



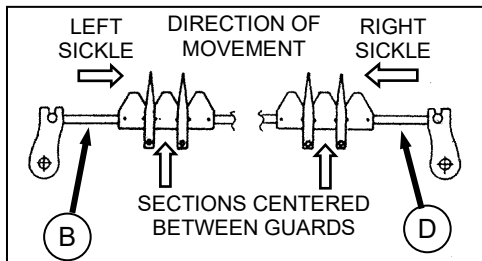
CAUTION

Stop engine and remove key from ignition before leaving operator's seat for any reason. A child or even a pet could engage an idling machine.

- a. Remove the right side sickle drive belt. Refer to Section 7.8.10.5, Removal – RH Sickle Drive Belts, A30-D, or Section 7.8.11.5, Removal – RH Sickle Drive Belt, A40-D.

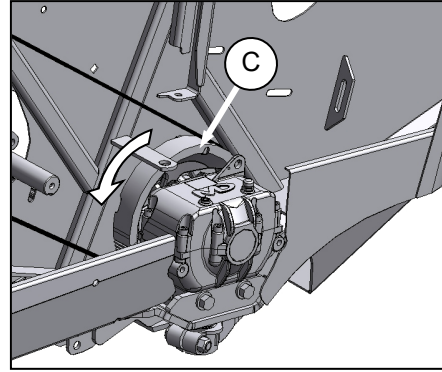


- b. Rotate the LH side wobble box driven pulley (A) clockwise until the LH side sickle (B) is at the centre of the inboard stroke (moving towards centre of header).



NOTE

Centre stroke is when the sickle sections are centered between guard points as shown.

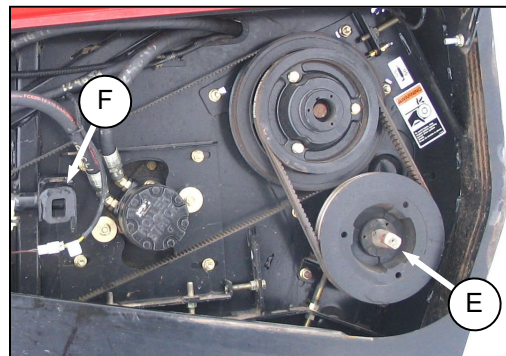


- c. Rotate the right side wobble box pulley (C) counterclockwise until the right side sickle (D) is at the centre of the inboard stroke.
- d. Install the right side wobble box drive belt and tension. Refer to Section 7.8.10.6, Installation – RH Sickle Drive Belts, A30-D, or Section 7.8.11.6, Installation – RH Sickle Drive Belt, A40-D.

IMPORTANT

To maintain timing, wobble box driver and driven pulleys must not rotate as the belt is tightened.

- e. Check that the timing belts are properly seated in the grooves on both driver and driven pulleys.



- f. Check for correct sickle timing by rotating the drive shaft (E) slowly with the unplug wrench (F) and observe sickles where they overlap at the centre of the header.

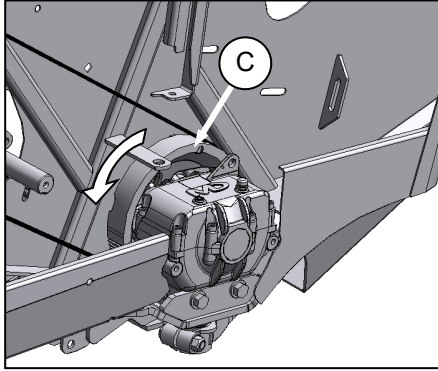
IMPORTANT

Sickles must move in opposite directions and must begin moving at exactly the same time.

- g. If timing is off, proceed as follows:
 1. Loosen right side timing belt sufficiently to allow skipping the belt one or more teeth as required. Refer to Section 7.8.10.4, Tension Adjustment – RH Sickle Drive Belts, A30-D, or Section 7.8.11.4, Tension Adjustment – RH Sickle Drive Belt, A40-D.

(continued next page)

MAINTENANCE/SERVICE



2. If RIGHT SICKLE “leads” LEFT SICKLE, rotate RIGHT HAND driven pulley (C) clockwise.
3. If RIGHT SICKLE “lags” LEFT SICKLE, rotate RIGHT HAND driven pulley (C) counterclockwise.
4. Tighten right side timing belt. Refer to Section 7.8.10.4, Tension Adjustment – RH Sickle Drive Belts, A30-D, or Section 7.8.11.4, Tension Adjustment – RH Sickle Drive Belt, A40-D.

MAINTENANCE/SERVICE

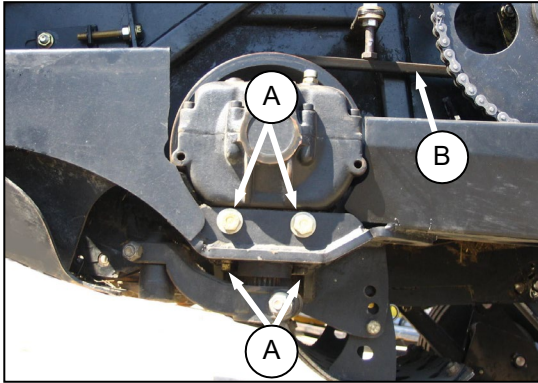
7.8.13 Wobble Box

7.8.13.1 Mounting Bolts



CAUTION

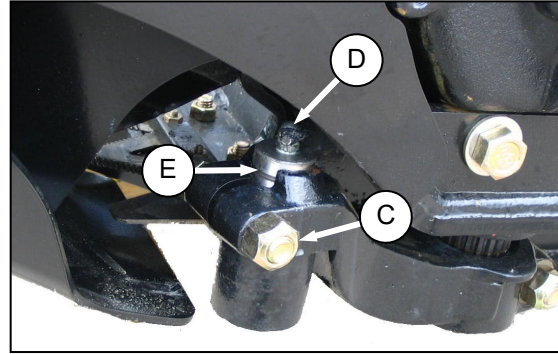
Stop engine and remove key from ignition before leaving operator's seat for any reason. A child or even a pet could engage an idling machine.



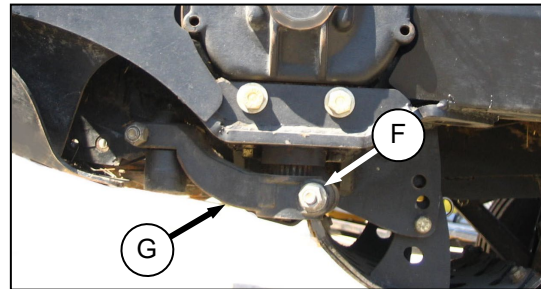
Check four wobble box mounting bolts (A) torque after the first 10 hours operation and every 100 hours thereafter. Torque bolts to 200 ft·lbf (270 N·m). When tightening, start with the side mounting bolts.

7.8.13.2 Wobble Box Removal

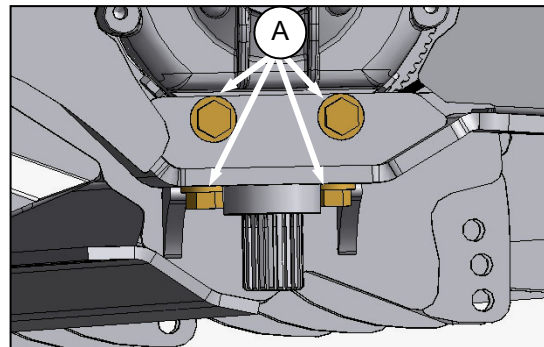
- a. Loosen sickle drive belt (B) and slip off wobble box pulley. Refer to one of the following sections:
 - Section 7.8.9.1, Tension Adjustment -Sickle Drive Belt, A30-S,
 - Section 7.8.10.1, Tension Adjustment -LH Sickle Drive Belt, A30-D,
 - Section 7.8.10.4, Tension Adjustment -RH Sickle Drive Belt, A30-D,
 - Section 7.8.11.1, Tension Adjustment -LH Sickle Drive Belt, A40-D,
 - Section 7.8.11.4, Tension Adjustment -RH Sickle Drive Belt, A40-D.
- b. Stroke sickle to its outer limit.
- c. Clean area around sickle head.



- d. Remove grease zerk (D) from sickle head pin (E).
- e. Remove nut and bolt (C).
- f. Insert screwdriver in groove of pin (E) and pry up on pin to free sickle. Pin does not have to be removed from arm.



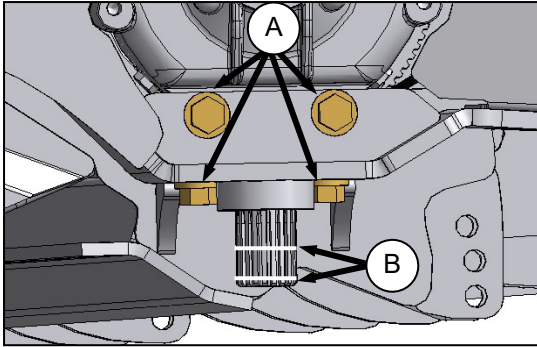
- g. Remove bolt (F) from pitman arm.
- h. Remove pitman arm (G) from wobble box output shaft.



- i. Remove bolts (A) attaching wobble box to frame.
- j. Remove wobble box.

MAINTENANCE/SERVICE

7.8.13.3 Wobble Box Installation

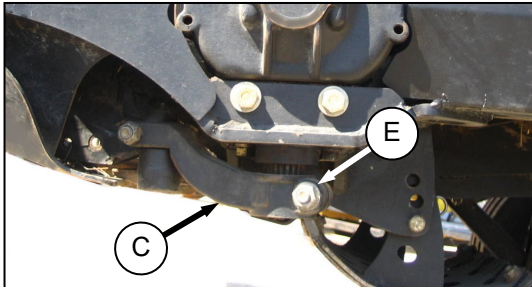


- a. Position wobble box as shown and install four bolts (A). Torque side bolts and then bottom bolts to 200 ft·lbf (270 Nm).

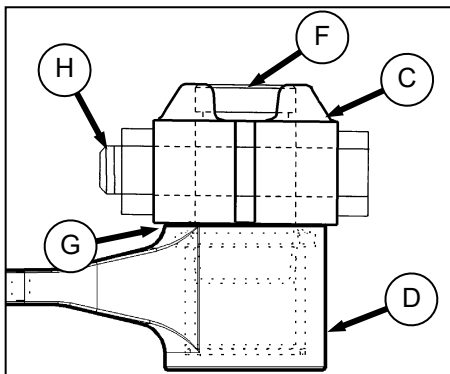
IMPORTANT

Use only Grade L9 bolts and flat washers.

- b. Apply Loctite® #243 adhesive (or equivalent) in two bands (B) around shaft as shown, with one band at end of shaft and one band approximately mid-way.

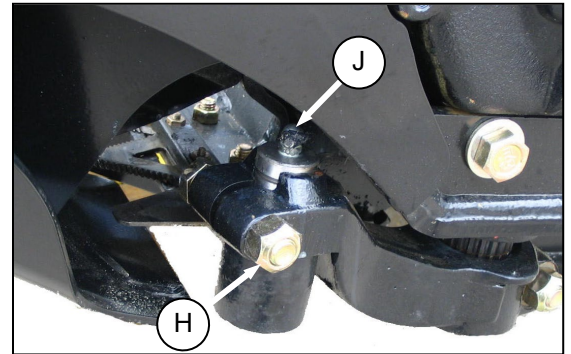


- c. Slide pitman arm (C) onto wobble box output shaft.
- d. Rotate wobble box pulley to ensure pitman arm just clears frame to ensure proper placement on splines. Remove arm (C) and reposition on splines as required.
- e. Rotate wobble box pulley to locate pitman arm at furthest outboard position.



- f. Slide arm (C) up or down on shaft until it just contacts sickle head (D), (0.010 in. (0.25 mm)) gap.

- g. Install bolt (E) and nut and torque to 160 ft·lbf (217 N·m).
- h. Align sickle head (D) with pitman arm (C).
- i. Install sickle head pin (F) in pitman arm (C) and tap it down into the sickle head, ensuring pin is bottomed out in the sickle head.
- j. Tap the underside of the sickle head until the pin is flush with the upper face of the pitman arm (C).
- k. Carefully adjust to achieve a 0.010 in. (.25 mm) gap at (G) with the sickle laying flat on the first few guards.

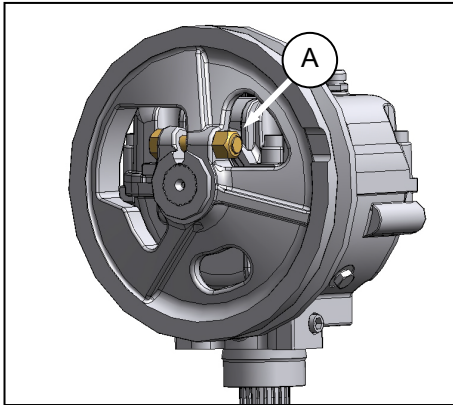


- l. Replace bolt (H) and nut.
- m. Tighten nut to 160 ft·lbf (220 N·m).
- n. Replace grease zerk (J) in pin.
- o. Install drive belt onto wobble box pulley and tighten. Refer to one of the following sections:
- Section 7.8.9.1, Tension Adjustment -Sickle Drive Belt, A30-S,
 - Section 7.8.10.1, Tension Adjustment -LH Sickle Drive Belt, A30-D,
 - Section 7.8.10.4, Tension Adjustment -RH Sickle Drive Belt, A30-D,
 - Section 7.8.11.1, Tension Adjustment -LH Sickle Drive Belt, A40-D,
 - Section 7.8.11.4, Tension Adjustment -RH Sickle Drive Belt, A40-D.

MAINTENANCE/SERVICE

7.8.13.4 Pulley Removal

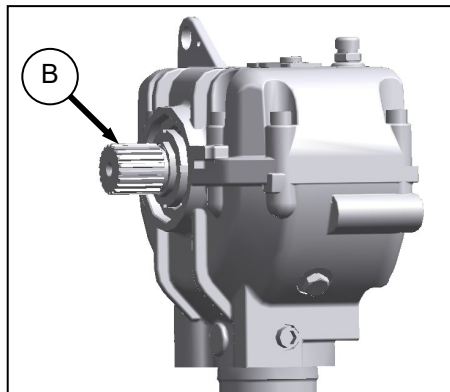
- Remove wobble box. See previous page.



- Loosen nut and bolt (A) from pulley.
- Remove pulley using a 3-jaw puller.

7.8.13.5 Pulley Installation

- Remove any rust or paint from inner spline. For replacement parts, remove oil/grease with degreasing agent.



- Apply Loctite® #243 adhesive (or equivalent) in two bands around shaft (B) as shown, with one band at end of spline and one band approximately mid-way.
- Install pulley on shaft until flush with end of shaft and secure with bolt (F) and nut. Torque bolts to 160 ft·lbf (217 N·m).
- Install wobble box. See previous page.

7.8.13.6 Changing Wobble Box Oil

NOTE

Change wobble box lubricant after the first 50 hours operation and every 1000 hours (or 3 years) thereafter.

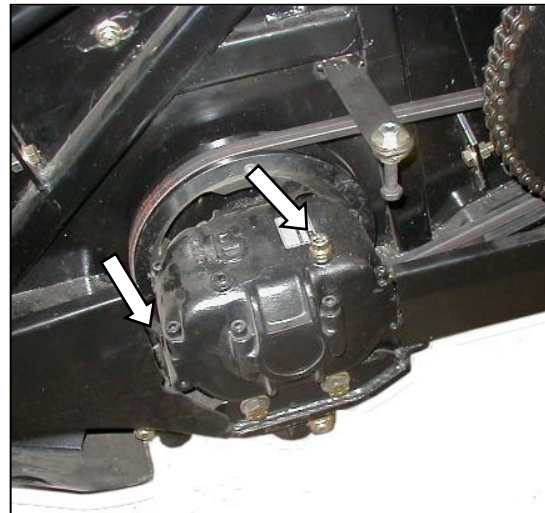
- Raise header to allow a suitable container to be placed under wobble box drain to collect oil.



CAUTION

Stop engine and remove key from ignition before leaving operator's seat for any reason. A child or even a pet could engage an idling machine.

- Engage header lift cylinder stops.



- Remove breather/dipstick and drain plug and allow oil to drain.
- Replace drain plug and add oil to required level. Use Gear Lubricant, SAE 85W-140, API Service Class GL-5, 2.3 qts (2.2 liters).
- Disengage lift cylinder stops.

MAINTENANCE/SERVICE

7.9 REEL AND REEL DRIVE - A30-S, A30-D.



CAUTION

To avoid personal injury, before servicing header/mower conditioner or opening drive covers, follow procedures in "Preparation for Servicing", Section 7.1.

7.9.1 Reel Drive Chain - A30-S, A30-D

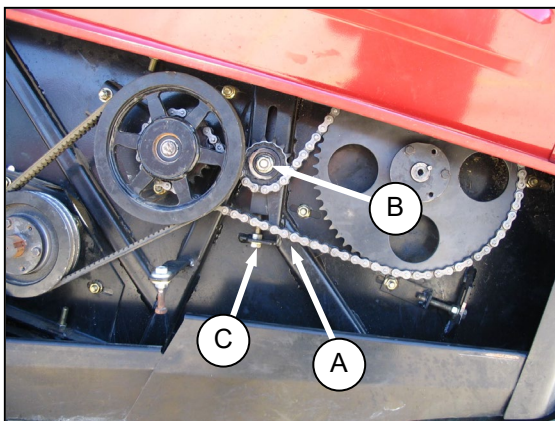
7.9.1.1 Tension

NOTE

For major adjustments, such as after repositioning reel or auger, adjust belt tension before chain tension.

Adjust reel drive chain (A) tension as follows:

- a. Open shield on header RH side.

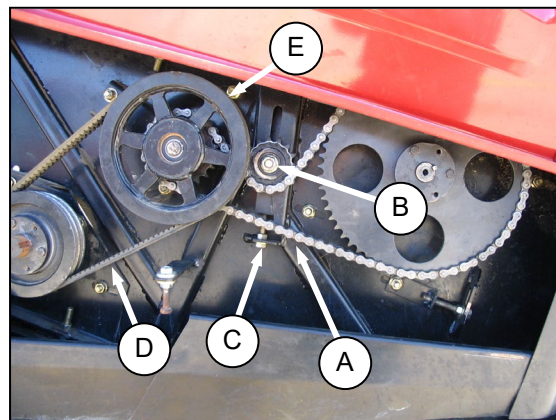


- b. Loosen nut (B) on idler sprocket.
- c. Loosen jam-nut on adjuster bolt (C) and back off.
- d. To increase tension, turn adjuster bolt (C) to move idler sprocket downward until total chain slack at (A) is 1/4 in. (6 mm).
- e. Tighten jam-nut at (C) and nut (B) and recheck tension.
- f. Close shield before engaging header.

7.9.1.2 Removal

Remove reel drive chain (A) as follows:

- a. Open shield on header RH side.



- b. Remove reel drive belt (D) from pulley (E). Refer to Section 7.9.2, Reel Drive Belts, A30-S & A30-D.
- c. Loosen nut (B) on idler sprocket.
- d. Loosen jam-nut on adjuster bolt (C) and back off.
- e. Turn adjuster bolt (C) to loosen chain.
- f. Remove chain from sprockets.

7.9.1.3 Installation

Install reel drive chain (A) as follows:

- a. Position chain (A) around sprockets as shown.
- b. Install and tighten reel drive belts (D). Refer to Section 7.9.2 Reel Drive Belts, A30-S & A30-D.
- c. Turn adjuster bolt (C) to move idler sprocket downward until total chain slack at (A) is 1/4 in. (6 mm).
- d. Rotate auger and check chain for slack at tightest point. Re-adjust position of idler sprocket to achieve required slack.
- e. Tighten jam-nut at (C) and nut (B) and recheck tension.
- f. Close shield before engaging header.

MAINTENANCE/SERVICE

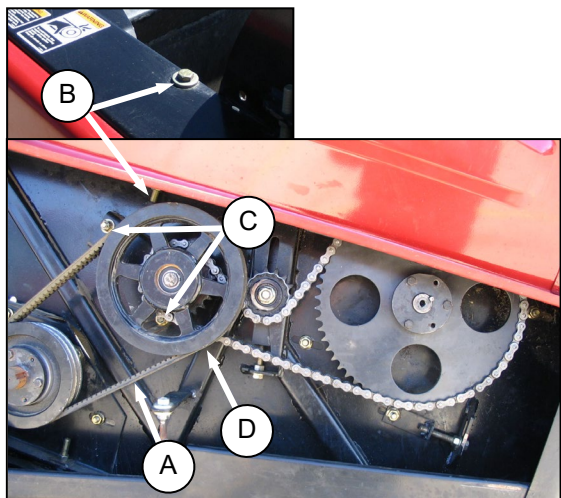
7.9.2 Reel Drive Belts - A30-S, A30-D

7.9.2.1 Tension Adjustment

IMPORTANT

To prolong drive life, do not over-tighten belts. Belt slippage is used to protect the reel in an overload situation.

Adjust reel drive belts (A) tension as follows:



CAUTION

Stop engine and remove key from ignition before leaving operator's seat for any reason. A child or even a pet could engage an idling machine.

- Open shield on header RH side.
- Loosen jam-nut on adjuster bolt (B) and nuts (C).
- Turn adjuster bolt (B) to move pulley (D) so that each belt (A) deflects 3/16 in. (4 mm) when a load of 8-12 lbf (35-40 N) is applied to each belt at mid-span.
- Tighten jam-nut on adjuster bolt (B) and nuts (C).

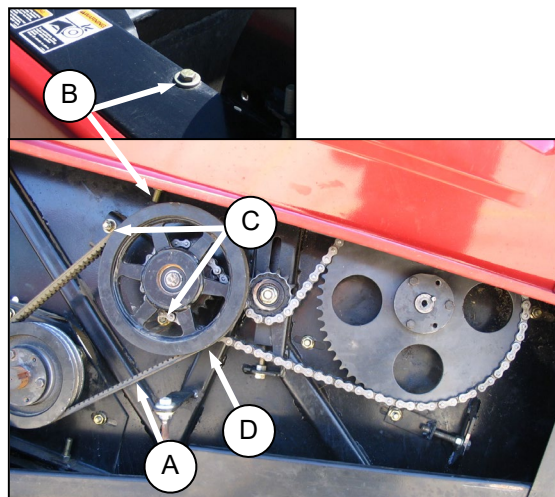
NOTE

Re-adjust tension of new belts after about 5 hours of operation.

- Check reel drive chain tension and adjust if necessary. See Section 7.9.1, Reel Drive Chain, A30-S & A30-D.
- Close shield before engaging header.

7.9.2.2 Removal

Remove reel drive belts (A) as follows:



- Open shield on header RH side.
- Loosen jam-nut on adjuster bolt (B) and nuts (C) at reel drive arm.
- Turn adjuster bolt (B) to loosen reel drive belts.
- Remove drive belts (A).

7.9.2.3 Installation

IMPORTANT

Reel drive belts are a matched set. Replace both drive belts even if only one needs replacing.

Install reel drive belts (A) as follows:

- Position drive belts (A) on pulleys, ensuring both belts are identical.
- Turn adjuster bolt (B) to move pulley (D) so that each belt (D) deflects 3/16 in. (4 mm) when a load of 8-12 lbf (35-40 N) is applied to each belt at mid-span.
- Tighten jam-nut on adjuster bolt (B) and nuts (C).

NOTE

Re-adjust tension of new belts after about 5 hours of operation.

- Check reel drive chain tension and adjust if necessary. See Section 7.9.1, Reel Drive Chain, A30-S & A30-D.
- Close shield before engaging header.

MAINTENANCE/SERVICE

7.9.3 Reel Tines and Tine Bar Bearings - A30-S, A30-D

IMPORTANT

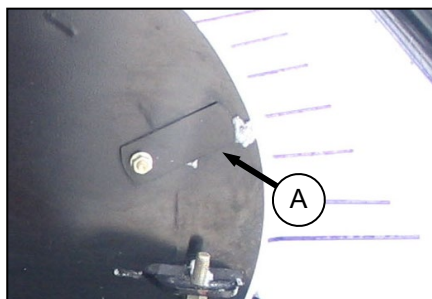
Keep reel tines in good condition. Straighten or replace as required.

7.9.3.1 Removal –Tines and Bearings, Cam End

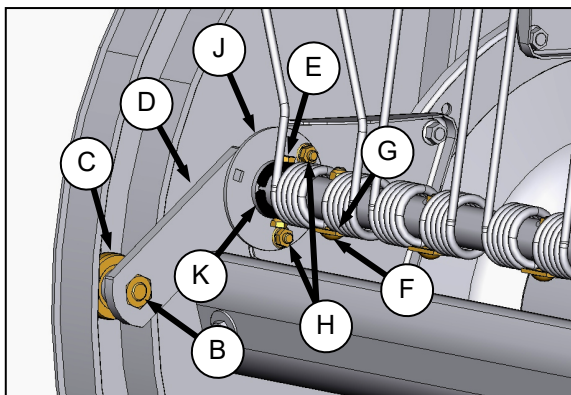


CAUTION

Stop engine and remove key from ignition before leaving operator's seat for any reason. A child or even a pet could engage an idling machine.



- Loosen bolt on cover (A) and slide cover to expose hole in cam disc. Rotate reel and align bearing with hole.



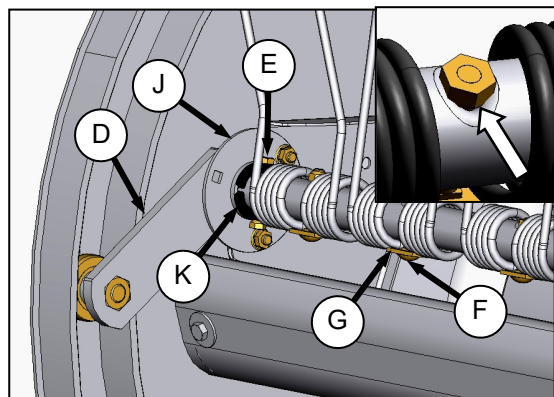
- Remove cam follower bearing bolt (B), bearing (C), and nut.
- Disengage the cam arm (D) from the cam track with a pry bar.
- Remove bolt (E), bolt (F), and keeper (G) that connect cam arm (D) and end tines to tine bar.
- Remove bolts (H) securing tine bar bearing support (J) to reel arm.
- Position end of tine bar clear of cam disc and remove cam arm assembly (D).
- Slide bearing support (J) off tine bar and remove bearing halves (K).
- Remove nut, bolt, and keeper on each tine to be removed and slide tine off the bar.

7.9.3.2 Installation –Tines and Bearings, Cam End



CAUTION

Stop engine and remove key from ignition before leaving operator's seat for any reason. A child or even a pet could engage an idling machine.



- Install replacement tines on tine bar and secure with bolt (F) and keeper (G). Install nut with tapered side against tine bar. Do not install bolt in end tine at this time.
- Slide bearing support (J) onto tine bar.
- Position end of tine bar clear of cam disc and install cam arm assembly (D), on tine bar.
- Engage cam arm into cam track as shown.
- Locate the bearing halves (K) inside the bearing support.

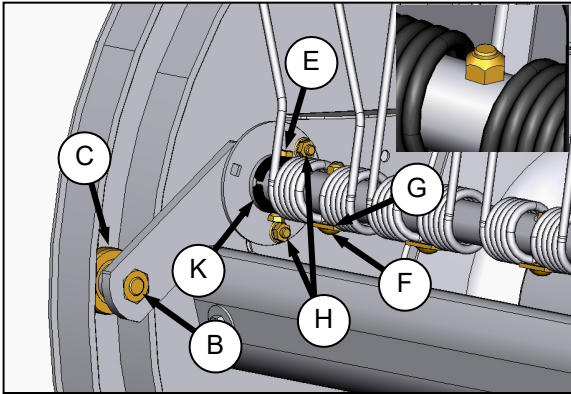
NOTE

Ensure bearings are installed with flanges of bearing facing the centreline of the header/mower conditioner.

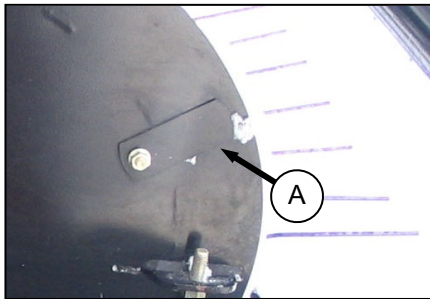
- Install bolt (E) through the bearings, tine bar and cam arm shaft. Secure with nut and torque to 2-3 ft·lbf (2.5-4 N·m).

(continued next page)

MAINTENANCE/SERVICE

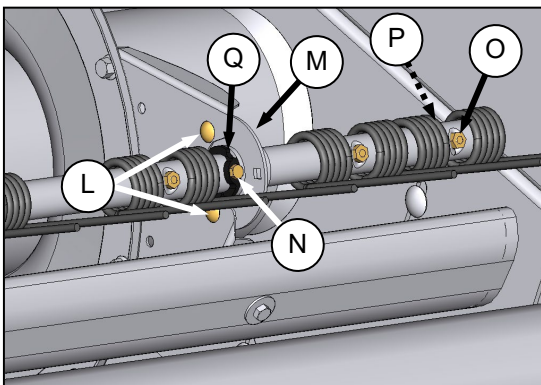


- g. Attach end tine to tine bar with bolt (F) and keeper (G). Install nut with flat side against tine bar.
- h. Attach bearing support to reel arm with bolts and nuts (H). Torque nuts to 21 ft·lbf (29 N·m).
- i. Install cam follower bearing (C) with bolt (B) and torque to 125 ft·lbf (170 N·m).



- j. Reposition cover (A) on cam and tighten bolt.

7.9.3.3 Removal -Tines and Bearings, Opposite Cam End



- a. Remove bolts (L) securing tine bar bearing support (M) to reel arm.
- b. Remove bolt (O), and keeper (P) that connect end tines to tine bar.
- c. Remove bolt (N) securing bearing halves to tine bar.

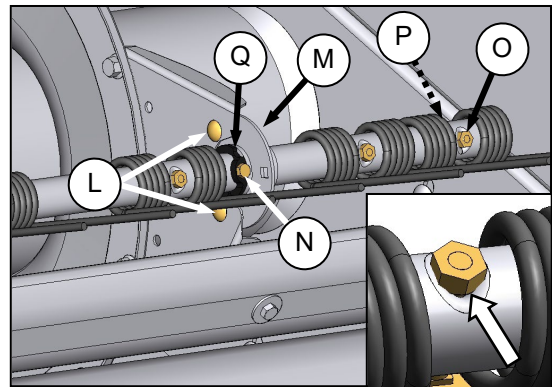
- d. Position end of tine bar clear of cam disc and slide tines off bar.
- e. Slide bearing support (M) off tine bar and remove bearing halves (Q).
- f. Remove nut, bolt, and keeper on each tine to be removed and slide tine off the bar.

7.9.3.4 Installation -Tines and Bearings, Opposite Cam End



CAUTION

Stop engine and remove key from ignition before leaving operator's seat for any reason. A child or even a pet could engage an idling machine.



- a. Slide tines and bearing support (M) onto tine bar.
- b. Locate the bearing halves (Q) inside the bearing support (M).

NOTE

Ensure bearings are installed with flanges of bearing facing the centreline of the header/mower conditioner.

- c. Install bolt (N) through the bearings, tine bar and cam arm shaft. Secure with nut and torque to 2-3 ft·lbf (2.5-4 N·m).
- d. Attach bearing support to reel arm with bolts and nuts (L). Torque nuts to 21 ft·lbf (29 N·m).
- e. Secure tines on tine bar with bolt (O) and keeper (P). Install nut with tapered side against tine bar.

MAINTENANCE/SERVICE

7.10 REEL AND REEL DRIVE – A40-D



CAUTION

To avoid personal injury, before servicing header/mower conditioner or opening drive covers, follow procedures in Section 7.1, Preparation for Servicing.

7.10.1 Reel Drive – A40-D

The reel drive gearbox and hydraulic motor are a factory assembled unit. The gearbox is sealed and requires no scheduled maintenance. If service is required for either the gearbox or motor, see your dealer.

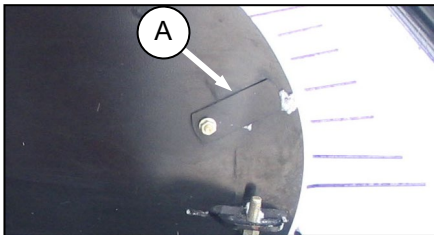
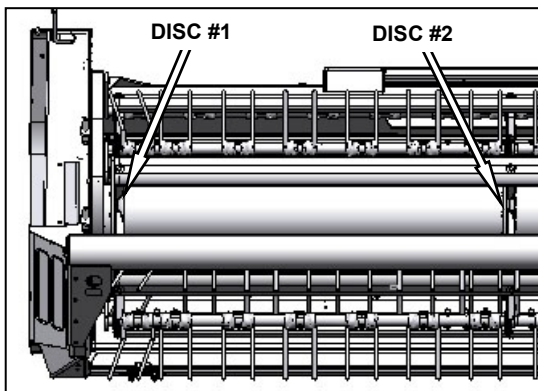
7.10.2 Reel Tines and Tine Bar Bearings, A40-D

IMPORTANT

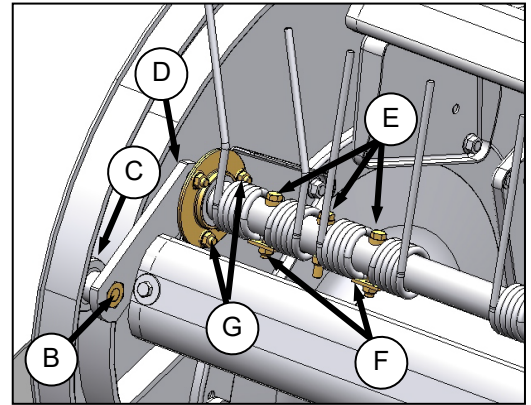
Keep reel tines in good condition. Straighten or replace as required.

Separate procedures are required to replace reel tines, depending on their location on the reel.

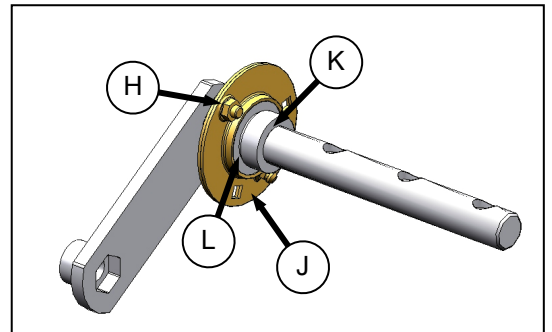
7.10.2.1 Tine and Bearing Replacement, Cam End – Disc #1



- a. Loosen bolt on cover (A) and slide cover to expose hole in cam disc. Rotate reel and align bearing with hole.



- b. Remove cam follower bearing bolt (B), bearing (C), and nut.
- c. Disengage the cam arm (D) from the cam track with a pry bar.
- d. Remove three shoulder bolts (E) and keepers (F) that connect cam arm (D) and end tines to tine bar.
- e. Remove flangette mounting bolts (G), at discs #1 and #2.
- f. Position end of tine bar clear of cam disc and remove cam arm assembly (D), complete with bearing assembly.
- g. Replace bearing as follows:

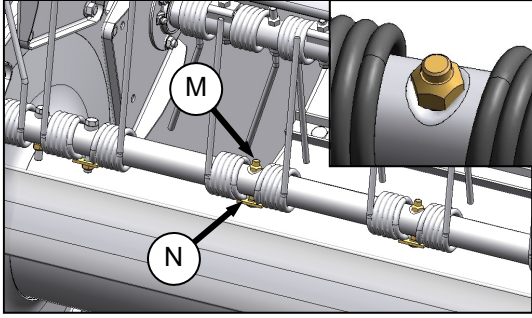


1. Remove bolt (H), separate the flangettes (J), and remove inboard flangette.
2. Loosen set screw in collar (K) and unlock collar with a punch.
3. Slide bearing (L) off shaft, leaving outboard flangette on shaft.
4. Slide replacement bearing onto shaft.
5. Assemble flangettes (J) with bolt (H), but do not tighten.

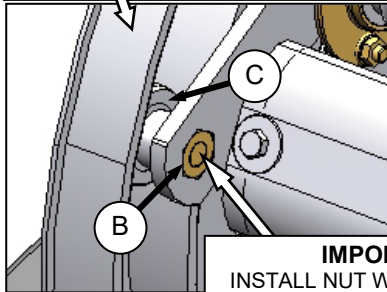
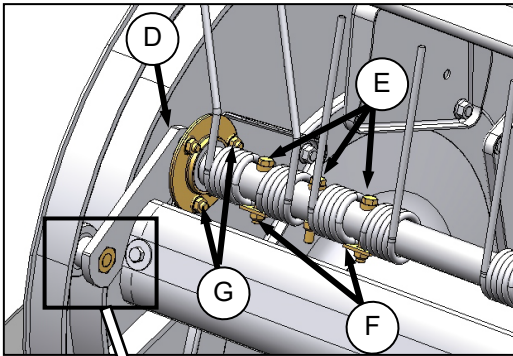
(continued next page)

MAINTENANCE/SERVICE

h. Replace tine as follows:



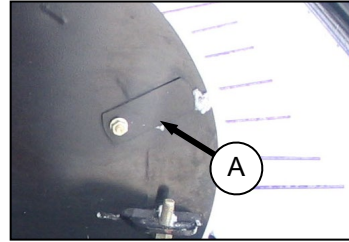
1. Remove bolt (M) and keeper (N) on tine to be replaced.
2. Remove bolts and keepers on tines as required to facilitate replacement of damaged or worn tine.
3. Slide tines off tine bar.
4. Install replacement tine on tine bar and secure with bolt (M) and keeper (N). Install nut with flat side against tine bar. Do not install bolts in end tines at this time.



IMPORTANT
INSTALL NUT WITH DISTORTED
THREAD TOWARDS BOLT HEAD.

- i. Position end of tine bar clear of cam disc and install cam arm assembly (D), complete with bearing on tine bar.
- j. Engage cam arm into cam track as shown.
- k. Attach bearing flangettes at discs #1 and #2 with bolts (G). Tighten bolts to 23-26 ft-lbf (31-36 N·m).
- l. Position tines as shown and install shoulder bolts (E) with keepers (F).

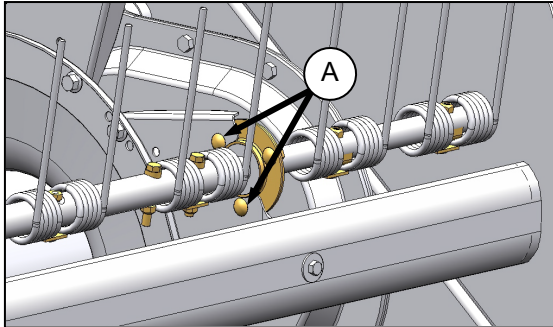
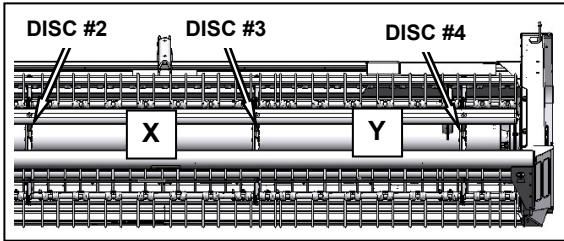
m. Install cam follower bearing (C) with bolt (B) and torque to 125 ft-lbf (170 N·m).



n. Reposition cover (A) on cam and tighten bolt.

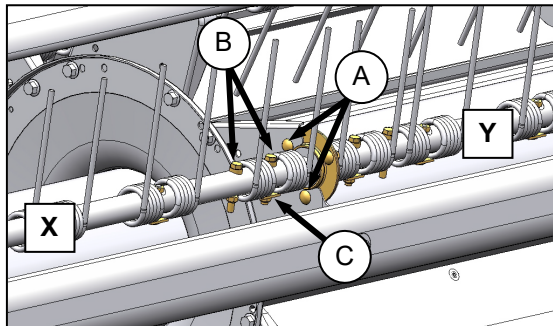
MAINTENANCE/SERVICE

7.10.2.2 Tine and Bearing Replacement, Centre Section X



DISC #4

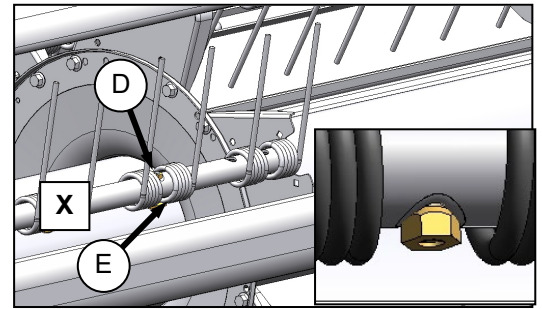
- a. Remove flangette mounting bolts (A) at reel discs #3 and #4.



DISC #3

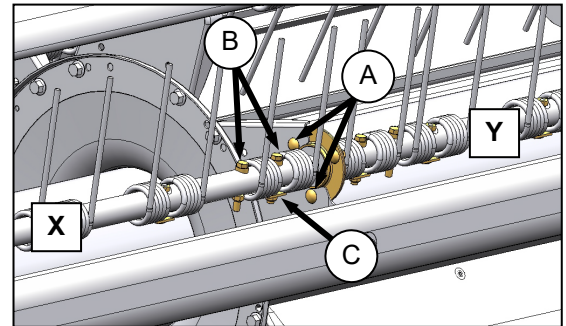
- b. Remove shoulder bolts (B) and keeper (C) connecting tine bar sections "X" and "Y" at reel disc #3.
- c. Lift tine bar away from reel arms and remove complete tine bar section "Y" (including reel bearings at discs #3 and #4).
- d. To replace tine bar bearing, refer to Section 7.6.3, Sealed Bearing Replacement.

- e. Replace tine as follows:



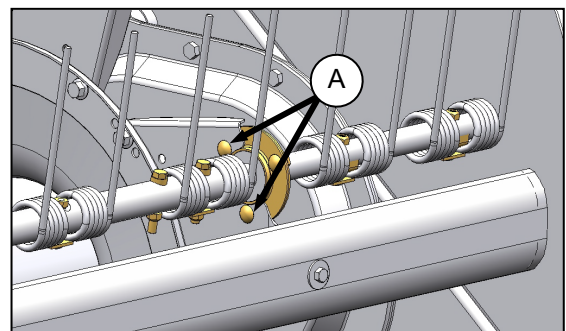
DISC #3

1. Remove bolt (D) and keeper (E) on tine to be replaced.
2. Remove bolts and keepers on tines as required to facilitate replacement of damaged or worn tine.
3. Slide tines off tine bar.
4. Install tines on tine bar and secure with bolts (D) and keepers (E). Install nut with tapered side against tine bar. Do not install bolts in end tines at this time.



DISC #3

- f. Assemble tine bar section "Y" (including reel bearings at discs #3 and #4) to tine bar section "X" at reel disc #3.
- g. Position tines as shown and install shoulder bolts (B) with keeper (C).

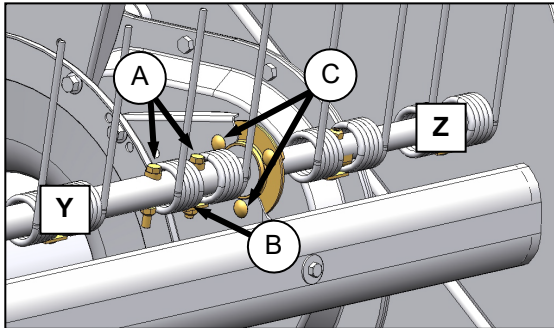
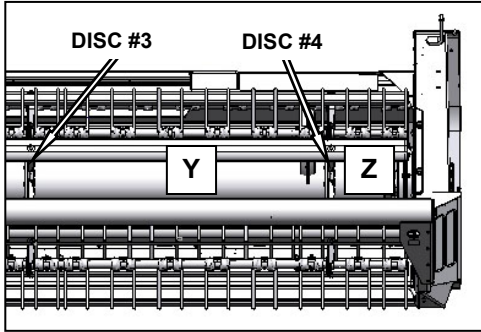


DISC #4

- h. Attach bearing flangettes to reel arm at discs #3 and #4 with bolts (A). Tighten bolts to 23-26 ft·lbf (31-36 N·m).

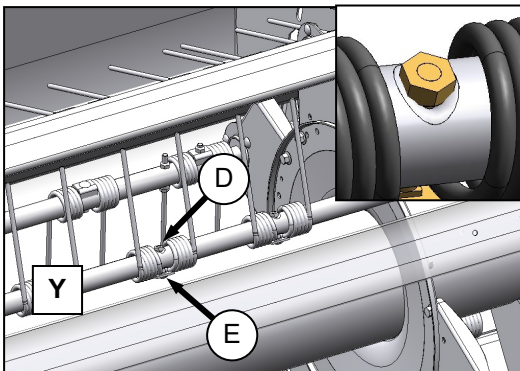
MAINTENANCE/SERVICE

7.10.2.3 Tine and Bearing Replacement, Opposite Cam – Section Y



DISC #4

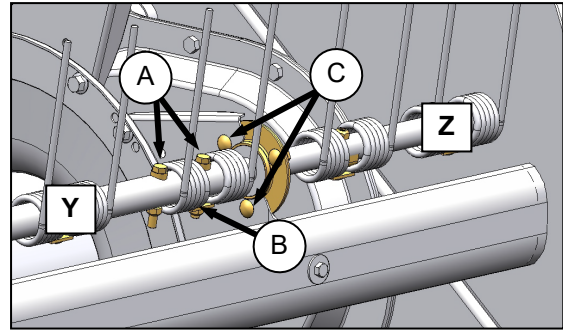
- Remove shoulder bolts (A) and keeper (B) connecting tine bar extension "Z" to section "Y" at reel disc #4.
- Remove flangette mounting bolts (C) at reel disc #4.
- Lift tine bar away from reel arm and remove tine bar extension "Z" complete with bearing assembly.
- To replace tine bar bearing, refer to Section 7.6.3, Sealed Bearing Replacement.
- Replace tine as follows:



DISC #4

- Remove bolt (D) and keeper (E) on tine to be replaced.

- Remove bolts and keepers on tines as required to facilitate replacement of damaged or worn tine.
- Slide tines off tine bar.

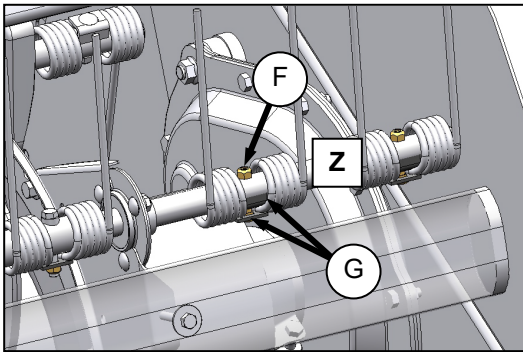
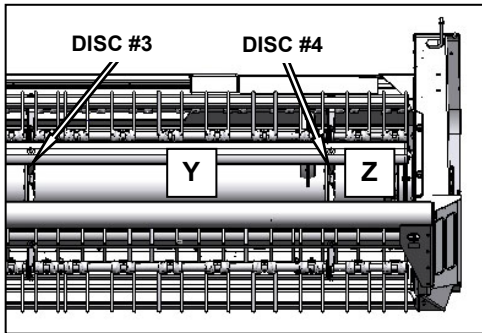


DISC #4

- Install tines on tine bar and secure with bolts (D) and keepers (E). Install nut with tapered side against tine bar. Do not install bolts in end tine at this time.
- Install tine bar extension "Z" including bearing to section "Y" at reel disc #4.
- Install shoulder bolts (A) and keeper (B) with tine to connect tine bar extension.
- Install flangette mounting bolts (C) at reel disc #4. Tighten to 16-20 ft·lbf (21-27 N·m).

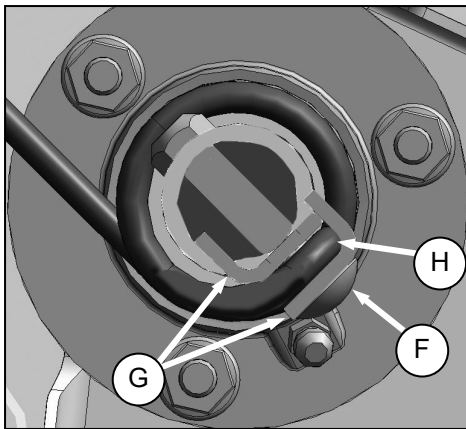
MAINTENANCE/SERVICE

7.10.2.4 Tine Replacement, Tine Bar Extension – Section Z



DISC #4

- a. Remove bolt (F) and keepers (G) on tine to be replaced and slide tines off tine bar.



- b. Install tines on tine bar and secure with bolt (F) and two keepers (G). Tine (H) must be clamped between keepers (G). Install nut with flat side against tine bar extension.

MAINTENANCE/SERVICE

7.11 AUGER AND AUGER DRIVE - A30-S, A30-D



CAUTION

To avoid personal injury, before servicing header/mower conditioner or opening drive covers, follow procedures in Section 7.1, Preparation for Servicing.

7.11.1 Auger Drive Chain - A30-S

7.11.1.1 Tension

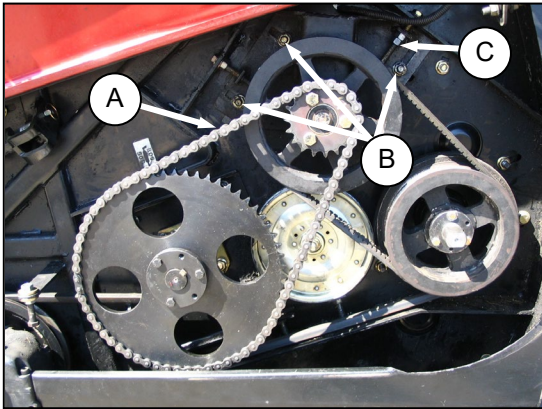
Adjust chain (A) tension as follows:



CAUTION

Stop engine and remove key from ignition before leaving operator's seat for any reason. A child or even a pet could engage an idling machine.

- a. Open LH end shield.

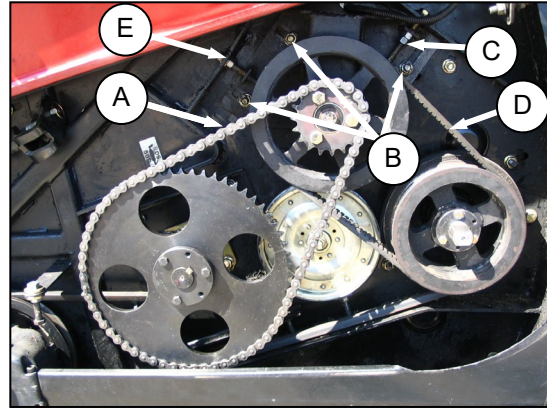


- b. Loosen three bolts (B).
- c. Loosen jam-nut on adjuster bolt (C).
- d. Turn adjuster bolt (C) to adjust chain (A) tension. Deflection at (A) should be $\frac{1}{4}$ in. (6 mm).
- e. Tighten bolts (B).
- f. Tighten jam-nut on adjuster bolt (C).
- g. Close end shield.

7.11.1.2 Removal

Remove chain (A) as follows:

- a. Open LH end shield.



- b. Loosen three bolts (B).
- c. Loosen jam-nut on adjuster bolt (C).
- d. Turn adjuster bolt (C) to loosen chain (A).
- e. Remove chain.

7.11.1.3 Installation

Install chain (A) as follows:

- a. Position chain (A) on sprockets as shown.
- b. Turn adjuster bolt (C) to adjust chain tension. Deflection at (A) should be $\frac{1}{4}$ in. (6 mm).
- c. Tighten jam-nut on adjuster bolt (C).

NOTE

Minor belt tension adjustments may be made without affecting chain tension. For major adjustments, like after repositioning reel or auger, adjust chain tension before belt tension.

- d. Check auger drive V-belt (D) tension. Each belt should deflect $\frac{3}{16}$ in. (4 mm) at mid-span when a load of 8-12 lbf (35-40 N) is applied to each belt. If necessary, adjust as follows:
 1. Loosen jam-nut on adjuster bolt (E).
 2. Turn adjuster bolt (E) to achieve tension as per above.
 3. Tighten bolts (B).
 4. Tighten jam-nut at (E).
- e. Close shield before engaging header.

7.11.2 Auger Drive Chain - A30-D

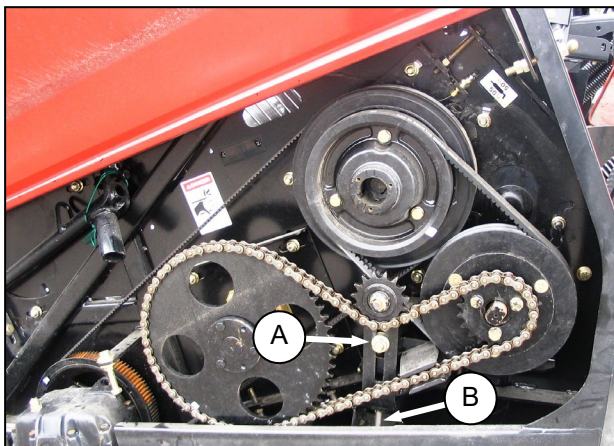
7.11.2.1 Tension



CAUTION

Stop engine and remove key from ignition before leaving operator's seat for any reason. A child or even a pet could engage an idling machine.

- a. Open LH end shield.



- b. Loosen nut (A) on idler sprocket support.
- c. Turn adjuster bolt (B) to give (5 mm) slack at mid-span of chain. Tighten nut (A) on idler sprocket support.
- d. Rotate auger and check chain for slack at tightest point. Re-adjust position of idler sprocket to achieve required slack.
- e. Close end shield.

7.11.2.2 Removal

- a. Open LH end shield.
- b. Loosen nut (A) on idler sprocket support.
- c. Turn adjuster bolt (B) to loosen chain so that it can be removed from small sprocket.
- d. Remove chain from large sprocket.

7.11.2.3 Installation

- a. Position chain around sprockets as shown.
- b. Turn adjuster bolt (B) to give (5 mm) slack at mid-span of chain. Tighten nut (A) on idler sprocket support.
- c. Rotate auger and check chain for slack at tightest point. Re-adjust position of idler sprocket to achieve required slack.
- d. Close end shield before engaging header.

MAINTENANCE/SERVICE

7.11.3 Auger Drive Belts - A30-S

7.11.3.1 Tension

IMPORTANT

To prolong drive life, do not over-tighten belts. Belt slippage is used to protect the auger in an overload situation.

NOTE

Minor belt tension adjustments may be made without affecting chain tension. For major adjustments, like after repositioning reel or auger, adjust chain tension before belt tension.

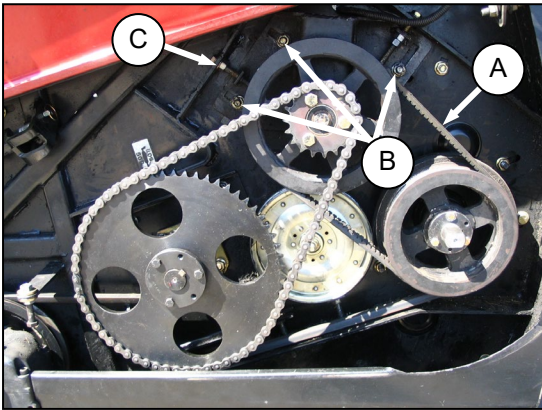
Adjust auger drive belts (A) tension as follows:



CAUTION

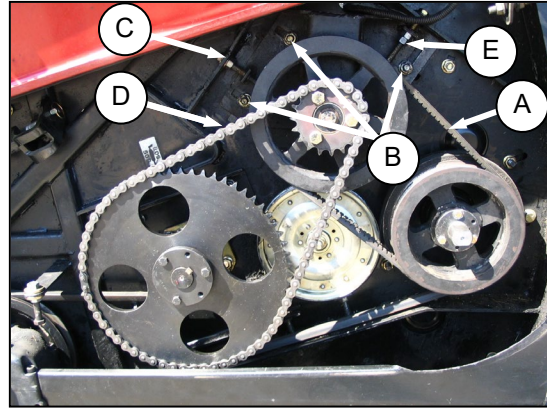
Stop engine and remove key from ignition before leaving operator's seat for any reason. A child or even a pet could engage an idling machine.

- a. Open LH end shield.



- b. Loosen three bolts (B).
- c. Loosen jam-nut on adjuster bolt (C).
- d. Turn adjuster bolt (C) so that each belt deflects 3/16 in. (4 mm) at mid-span when a load of 8-12 lbf (35-40 N) is applied to each belt.
- e. Tighten bolts (B).
- f. Tighten jam-nut at (C).
- g. Close shield before engaging header.

7.11.3.2 Removal



- a. Open LH end shield.
- b. Remove chain (D) from small sprocket as follows:
 1. Loosen three bolts (B).
 2. Loosen jam-nut on adjuster bolt (E) and turn adjuster bolt (E) to loosen chain (D).
 3. Remove chain from small sprocket.
- c. Loosen jam-nut on adjuster bolt (C).
- d. Turn adjuster bolt (C) to loosen auger drive belts (A).
- e. Remove belts (A).

7.11.3.3 Installation

IMPORTANT

Auger drive belts are a matched set. Replace both drive belts even if only one needs replacing.

- a. Position auger drive belts (A) as shown.
- b. Install auger drive chain (D) as follows:
 1. Locate chain (D) onto small sprocket.
 2. Turn adjuster bolt (E) to tighten chain. Deflection at (D) should be 1/4 in. (6 mm).
 3. Tighten jam-nut on adjuster bolt (E)
- c. Turn adjuster bolt (C) so that each belt deflects 3/16 in. (4 mm) at mid-span when a load of 8-12 lbf (35-40 N) is applied to each belt.
- d. Tighten jam-nut on adjuster bolt (C) and the three bolts (B).

NOTE

Re-adjust tension of a new belt after about 5 hours of operation.

- e. Close end shield.

MAINTENANCE/SERVICE

7.11.4 Auger Drive Belts - A30-D

7.11.4.1 Tension

IMPORTANT

To prolong drive life, do not over-tighten belt. Belt slippage is used to protect the auger in an overload situation.

NOTE

Minor belt tension adjustments may be made without affecting chain tension. For major adjustments, like after repositioning reel or auger, adjust chain tension before belt tension.

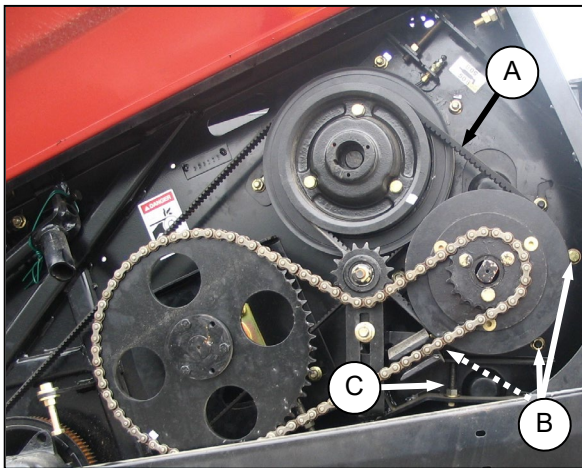
Adjust auger drive belts (A) tension as follows:



CAUTION

Stop engine and remove key from ignition before leaving operator's seat for any reason. A child or even a pet could engage an idling machine.

- Open LH end shield.



- Loosen three bolts (B).
- Loosen jam-nut on adjuster bolt (C).
- Turn adjuster bolt (C) so that each belt deflects 3/16 in. (4 mm) at mid-span when a load of 8-12 lbf (35-40 N) is applied to each belt.
- Tighten bolts (B) and jam-nut at (C).

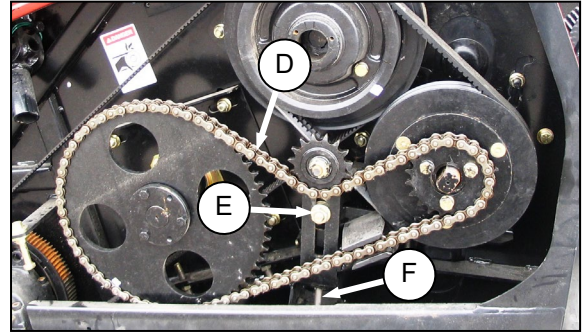
NOTE

Re-adjust tension of new belts after about 5 hours of operation.

- Close shield before engaging header.

7.11.4.2 Removal

- Open LH end shield.



- Remove auger drive chain (D) as follows:
 - Loosen nut (E) on idler sprocket support.
 - Turn adjuster bolt (F) to loosen chain (D).
 - Remove chain from small sprocket.
- Loosen three bolts (B). See illustration opposite.
- Loosen jam-nut on adjuster bolt (C).
- Turn adjuster bolt (C) to loosen auger drive belts (A).
- Remove belts (A).

7.11.4.3 Installation

IMPORTANT

Auger drive belts are a matched set. Replace both drive belts even if only one needs replacing.

- Position auger drive belts (A) as shown.
- Turn adjuster bolt (C) so that belts (A) deflect 3/16 in. (4 mm) at mid-span when a load of 8-12 lbf (35-40 N) is applied to each belt.
- Tighten bolts (B) and jam-nut at (C).
- Install auger drive chain (D) as follows:
 - Position chain on small sprocket.
 - Turn adjuster bolt (F) to give (5 mm) slack at mid-span of chain. Tighten nut (E) on idler sprocket support.
 - Rotate auger and check chain for slack at tightest point. Re-adjust position of idler sprocket to achieve required slack.
- Close end shield.

MAINTENANCE/SERVICE

7.11.5 Auger Pans

The high density polyethylene auger pans are repairable and replaceable. Refer to the Technical Service Manual for details on replacing the pans.

IMPORTANT

To prolong the life of the auger pan, be sure to check that reel tines do not contact the pans when adjusting the reel position or tine pitch.

Stones and other debris can deform the polyethylene pans. If this occurs, the pans can be straightened as follows:



CAUTION

To avoid personal injury, before servicing header/mower conditioner or opening drive covers, follow procedures in "Preparation for Servicing", Section 7.1, and Section 5.2, Recommended Safety Procedures.

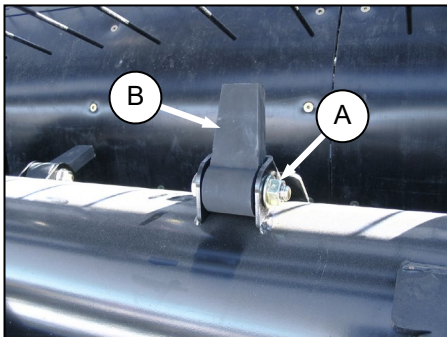
- Heat the deformed area with a heat gun until the poly is almost sticky.
- Push out the dent and then apply a cold wet rag. Keep wetting the rag in cold water and applying it the area until cool. This ensures the poly retains its shape.

NOTE

If the dent is too severe and has stretched the poly, it may be necessary to locally remove the poly. Use a plastic welder to rejoin the material. Replacement pans are also available from your dealer.

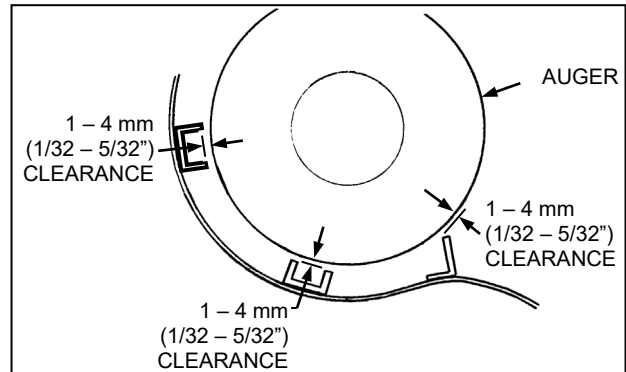
7.11.6 Rubber Fingers

Rubber fingers should be replaced if missing or damaged.



- Remove nut and bolt (A) and remove finger (B).
- Position new finger in holder and install bolt and nut. Rubber finger should be free to move after bolt is tightened.

7.11.7 Stripper Bars



To maintain proper clearance between the auger and stripper bars, the bars may need replacing due to wear or damage. Shims may also need to be installed to compensate for local irregularities in the structure.

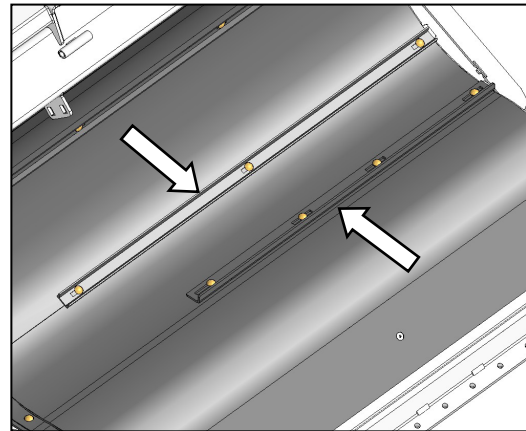


WARNING

To avoid bodily injury or death from unexpected start-up or fall of raised machine, stop engine, remove key and engage lift cylinder stops before going under machine.

7.11.7.1 Stripper Bar Removal

Heavy crops may cause plugging across the auger due to restricted flow at the stripper bars. Remove the lower stripper bar, and if necessary remove the center stripper bar as follows:



AUGER NOT SHOWN FOR CLARITY

- Remove bolts attaching stripper bar to pan.
- Remove stripper bar.
- Replace bolts in pan.

NOTE

Special countersunk bolts are available from your dealer.

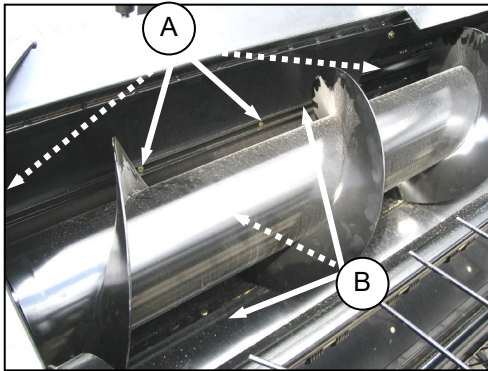
MAINTENANCE/SERVICE

7.11.7.2 Stripper Bar Replacement



WARNING

To avoid bodily injury or death from unexpected start-up or fall of raised machine, stop engine, remove key and engage lift cylinder stops before going under machine.

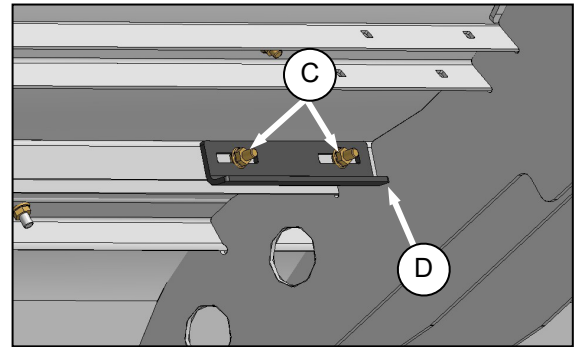


- Remove the four nuts and bolts (A) that secure each stripper bar (B) (left hand and right hand) to the pan, and remove bars. There are six bars in total.
- Position new bars (B) on pan as shown with upper flange on front bar facing forward.
- Install three bolts and nuts (A) in each bar and torque to 150 ft-lbf (203 N·m).
- Check clearance between auger and stripper bars.
- Loosen bolts (A) and add shims between stripper bars and pan at bolt locations as required to obtain clearance as shown.
- Retighten bolts to specified torque.

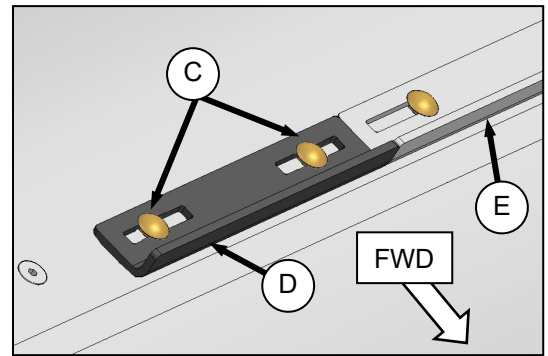
7.11.7.3 Front Stripper Bar Extensions

Extensions for the front stripper bar are provided for installation if required for certain crop conditions, or especially in tall crops, that cause the material to bunch up at the ends of the conditioner rolls. The stripper bar extensions will allow the auger to carry the crop more toward the center rather than prematurely feeding it to the conditioner.

- Raise header and engage lift cylinder stops.



- Remove nuts and carriage bolts (C) securing the two extensions (D) to underside of header pan support and retain for reinstallation.



LH SIDE
(AUGER NOT SHOWN FOR CLARITY)

- Position extension (D) at inboard end of front stripper bars (E), and mark locations of the two holes onto the plastic pan.
- Drill two 5/16 in. (8 mm) holes at these locations.
- Install extension with carriage bolts (C) removed at b.
- Repeat above steps for other extension.

7.12 AUGER AND AUGER DRIVE - A40-D

The A40-D header auger is driven directly from a hydraulic motor and there are no belts or chains to maintain. For auger and stripper bar maintenance procedures, refer to Section 7.11.5, Auger Pan Repairing, Section 7.11.6, Rubber Fingers, and Section 7.11.7, Stripper Bars.

MAINTENANCE/SERVICE

7.13 CONDITIONER

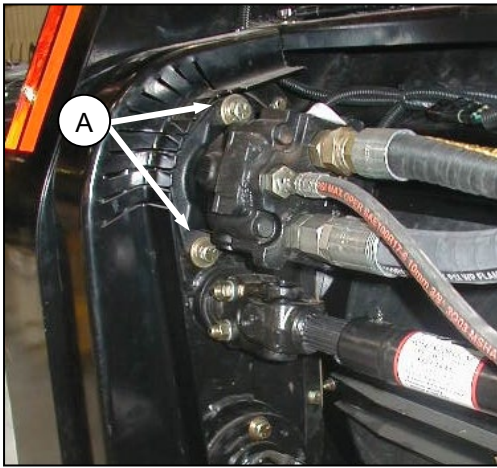


CAUTION

To avoid personal injury, before servicing header/mower conditioner or opening drive covers, follow procedures in “Preparation for Servicing”, Section 7.1.

7.13.1 Hydraulic Drive Motor Removal – All Models

- Open shield covering conditioner drive.
- On pull-type machines, disconnect the hydraulic hoses from the motor and install caps on hose ends and motor ports.



- On self-propelled machines, disconnect hoses at couplers on motor.
- Remove the two bolts (A) securing motor to gearbox and remove motor.

7.13.2 Hydraulic Drive Motor Installation – All Models

Install the hydraulic drive motor onto the gearbox (A) as follows:

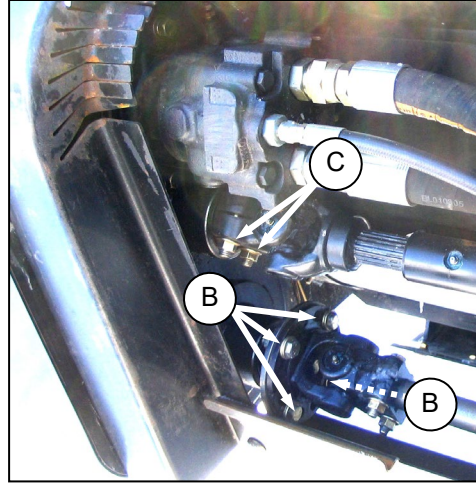
- Clean off excess sealant from motor flange and gearbox face.
- Apply light coat of silicone to motor flange and position motor on gearbox as shown until mounting holes are aligned and pinion engages gear in gearbox.
- Install bolts (A) and washers and torque to 75 ft·lbf (102 N·m).
- Reconnect hoses to motor.

7.13.3 Gearbox Removal - A30-S

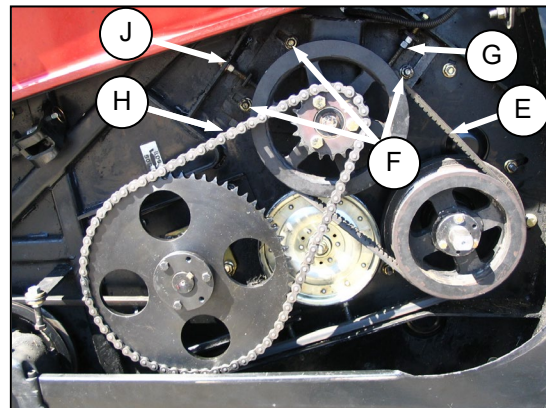
- Remove hydraulic drive motor. Refer to Section 7.13.1, Hydraulic Drive Motor Removal.

NOTE

It is not necessary to disconnect the motor hoses for this operation.



- Remove the four nuts and bolts (B) from the lower roll drive shaft and swing driveline clear of gearbox.
- Remove the two nuts and bolts (C) from the upper roll shaft at the gearbox and pull driveline clear of gearbox.
- Open the end shield on the LH side of the header.
- Remove the auger drive belts (E) from the drive pulley as follows:

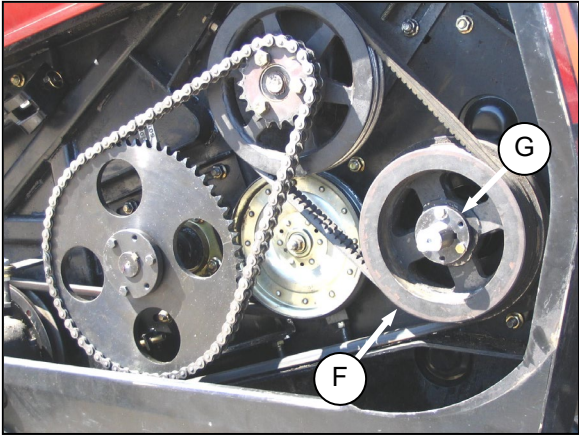


- Loosen three bolts (F).
- Loosen jam-nut on adjuster bolt (G).
- Turn adjuster bolt (G) to loosen chain (H).
- Loosen jam-nut on adjuster bolt (J).
- Turn adjuster bolt (J) to loosen auger drive belts (E).
- Remove belts (E) from drive pulley.

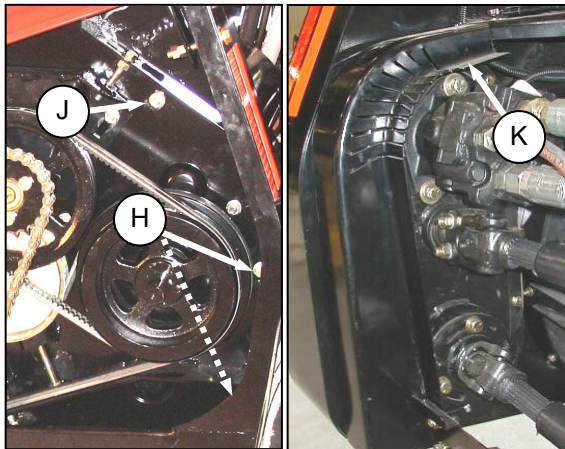
(continued next page)

MAINTENANCE/SERVICE

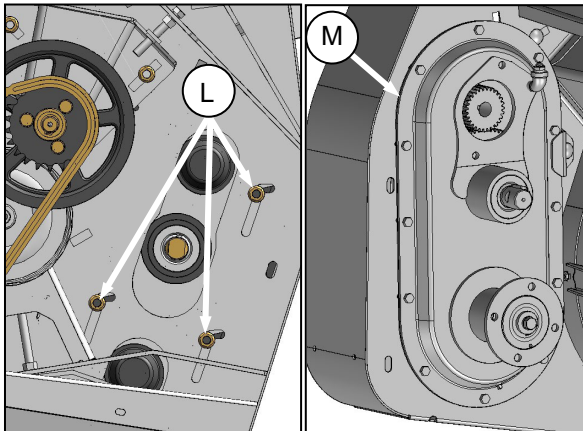
f. Remove the auger drive pulley (F) as follows:



1. Remove the three bolts from the tapered bushing (G) in pulley (F).
2. Install bolts in the two threaded holes in bushing and tighten to release the bushing.
3. Remove the pulley, bushing, and key.



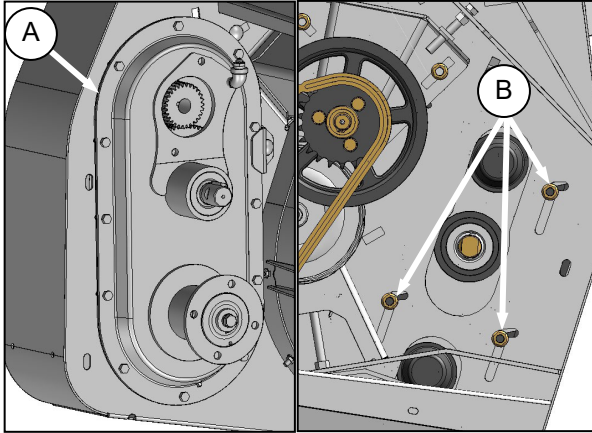
g. Remove the two bolts (H), and nut and bolt (J) attaching channel (K) to end sheet and remove channel (K).



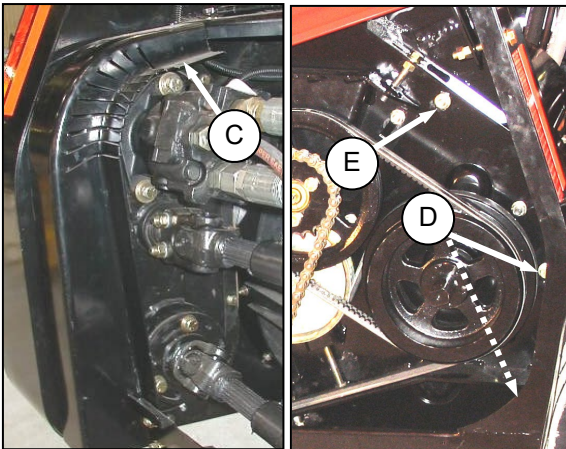
h. Remove the three flanged lock nuts (L) that secure gearbox (M) to header end sheet, and remove gearbox.

MAINTENANCE/SERVICE

7.13.4 Gearbox Installation - A30-S

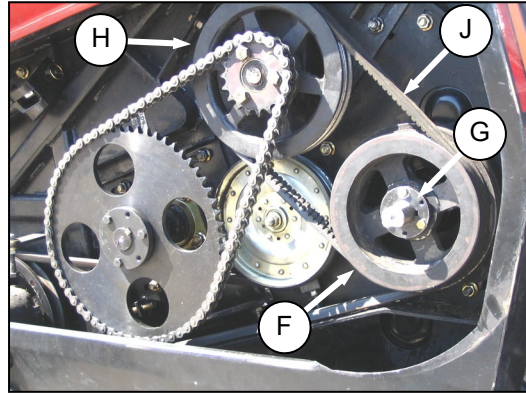


- Position gearbox (A) as shown picking up the three holes (B) in the end sheet. See above.
- Install three flanged locknuts at (B) but do not tighten.

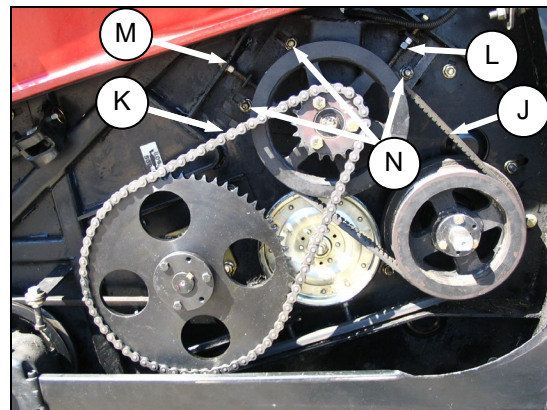


- Position channel (C) as shown, picking up the three holes in the end sheet.
- Install bolts (D) in the lower two holes and bolt and nut (E) in the upper hole and tighten. Install bolt (E) with head on backside.

- Install auger drive pulley (F) as follows:



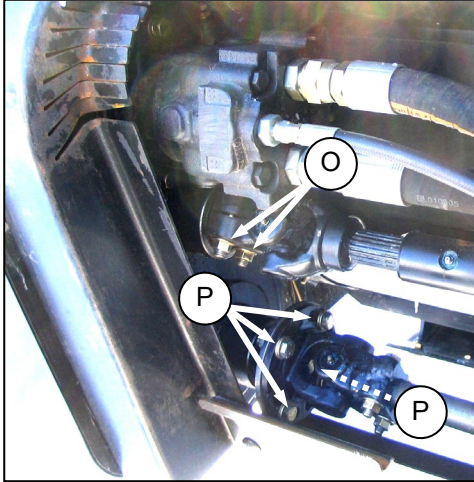
- Slide pulley (F) onto shaft with key.
 - Install tapered bushing (G) onto shaft, ensuring holes are aligned with holes in pulley.
 - Align pulley (F) and countershaft pulley (H) faces to within .06 in. (1.5 mm).
 - Install three bolts in tapered bushing (G) and tighten to 18 ft·lbf (25 N·m).
 - Tap bushing and re-torque. Repeat until bolts no longer turn at 18 ft·lbf (25 N·m).
- Install and tighten auger drive belts (J) as follows:



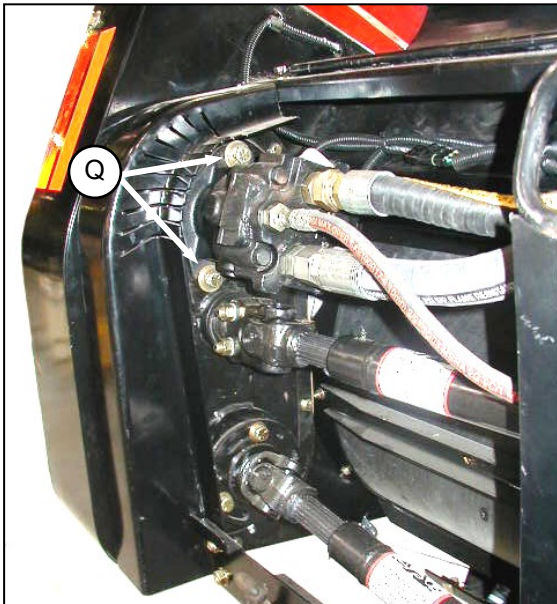
- Position auger drive belts (J) as shown.
- Locate chain (K) onto small sprocket.
- Turn adjuster bolt (L) to tighten chain. Deflection at (K) should be 1/4 in. (6 mm).
- Tighten jam-nut on adjuster bolt (L).
- Turn adjuster bolt (M) so that each belt deflects 3/16 in. (4 mm) at mid-span when a load of 8-12 lbf (35-40 N) is applied to each belt.
- Tighten jam-nut on adjuster bolt (M) and the three bolts (N).

(continued next page)

MAINTENANCE/SERVICE



- g. Slide upper roll driveline onto gearbox as shown. Install and tighten two bolts and nuts (O). Torque to 75 ft·lbf (102 N·m).
- h. Attach lower roll driveline flange onto gearbox flange using four bolts and nuts (P).
- i. Adjust roll timing. Refer to Section 6.17.11.2, Roll Timing and Alignment.
- j. Clean off excess sealant from motor flange and gearbox face.
- k. Apply light coat of silicone to motor flange and position motor on gearbox as shown until mounting holes are aligned and pinion engages gear in gearbox.

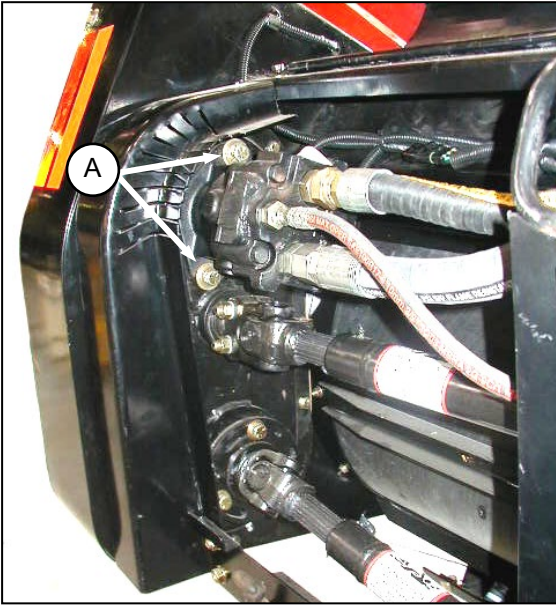


- l. Install bolts (Q) and washers and torque to 75 ft·lbf (102 N·m).
- m. Reconnect hoses to motor.
- n. Close all shields before engaging header.

MAINTENANCE/SERVICE

7.13.5 Gearbox Removal – A30-D

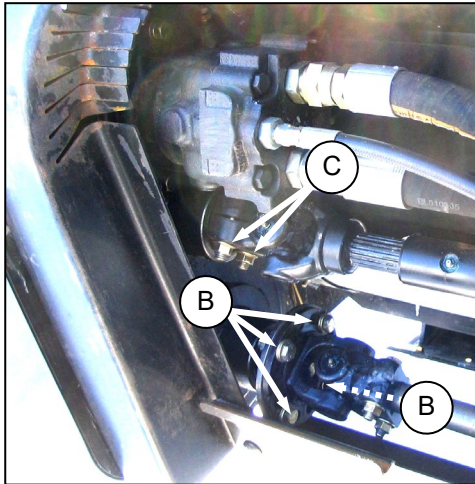
- a. Open shield covering conditioner drive.



- b. Remove the two bolts (A) securing motor to gearbox and remove motor.

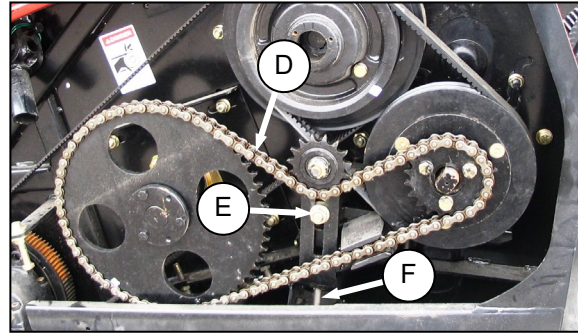
NOTE

It is not necessary to disconnect the motor hoses for this operation.

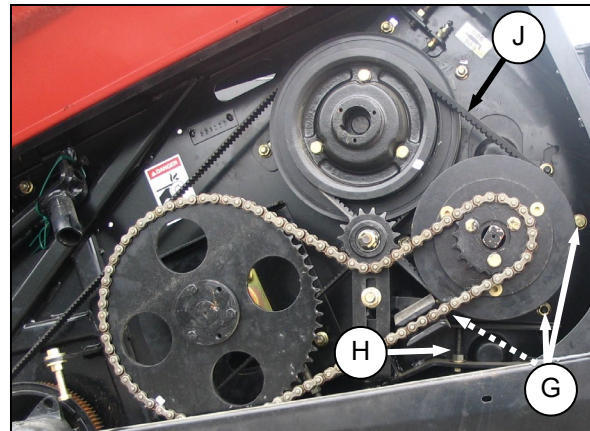


- c. Remove the four nuts and bolts (B) from the lower roll drive shaft and swing driveline clear of gearbox.
d. Remove the two nuts and bolts (C) from the upper roll shaft at the gearbox and pull driveline clear of gearbox.
e. Open the LH end shield.

- f. Remove auger drive chain (D) from small sprocket as follows:



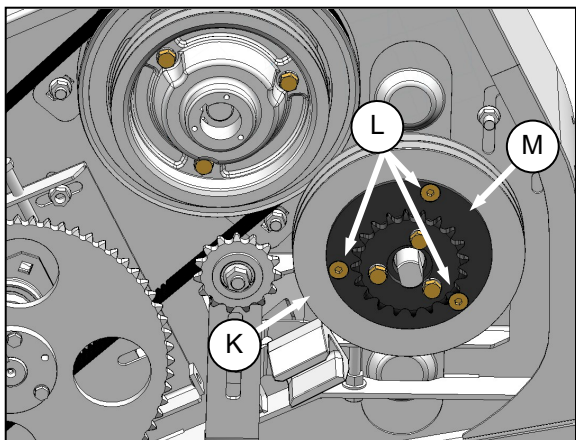
1. Loosen nut (E) on idler sprocket support.
 2. Turn adjuster bolt (F) to loosen chain (D).
 3. Remove chain from small sprocket.
- g. Remove V-belts from drive pulley as follows:



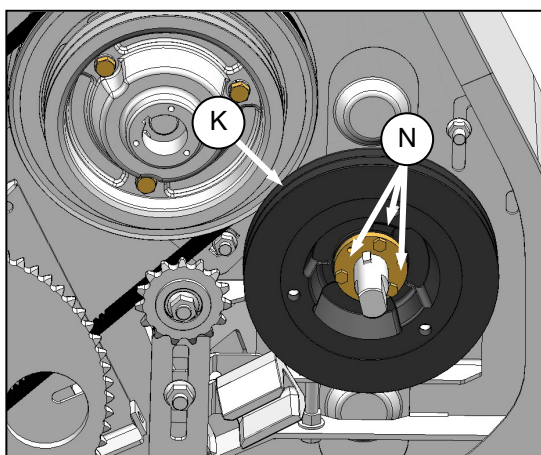
1. Loosen three bolts (G).
2. Loosen jam-nut on adjuster bolt (H).
3. Turn adjuster bolt (H) to loosen auger drive belts (J).
4. Remove belts (J) from drive pulley.

(continued next page)

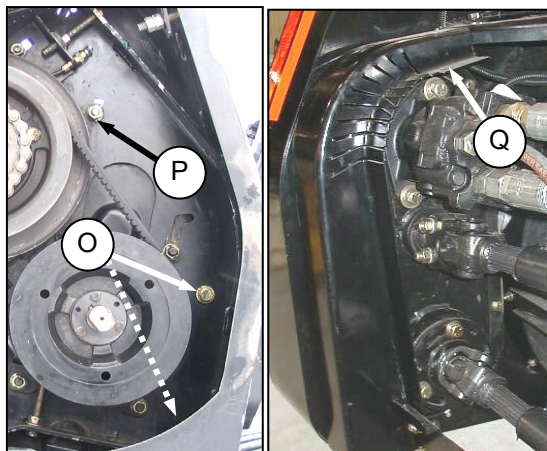
MAINTENANCE/SERVICE



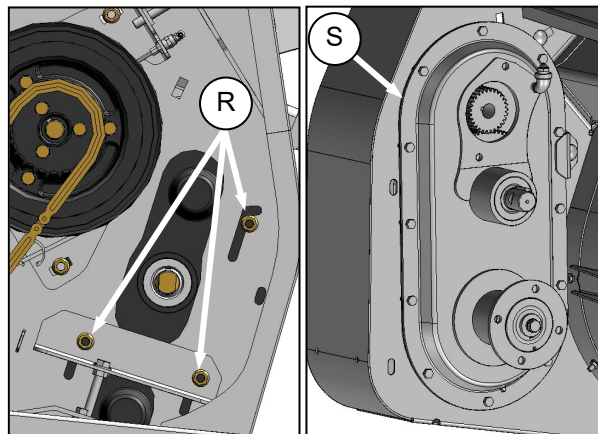
- h. Remove the auger drive pulley (K) as follows:
1. Remove the three bolts (L) from hub (M) and remove hub and sprocket.



2. Remove the three bolts (N) from the tapered bushing.
3. Install bolts in the two threaded holes in bushing and tighten to release the bushing.
4. Remove the pulley (K), bushing, and key.



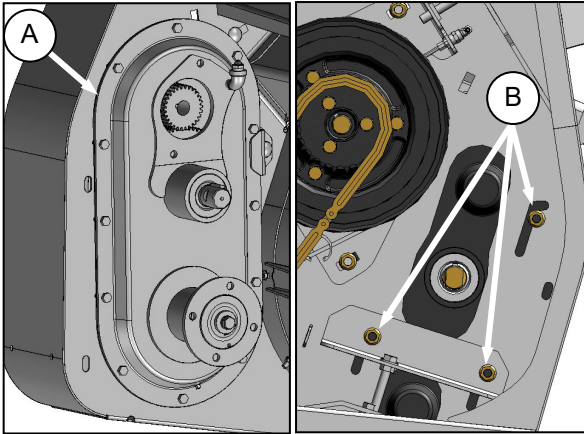
- i. Remove the two bolts (O), and nut and bolt (P) attaching channel (Q) to end sheet and remove channel (Q).



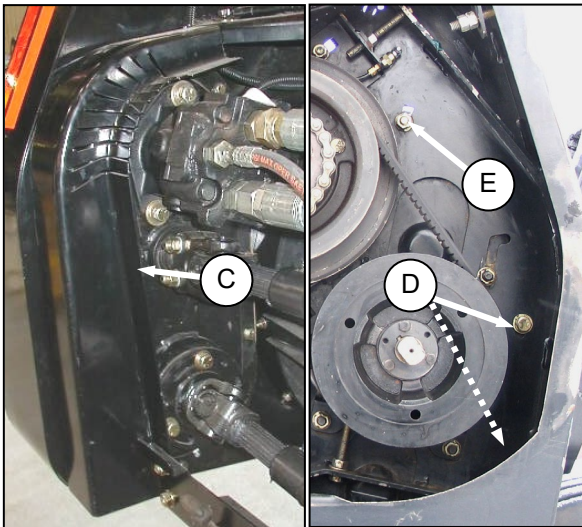
- j. Remove the three flanged lock nuts (R) that secure gearbox (S) to header end sheet and remove gearbox.

MAINTENANCE/SERVICE

7.13.6 Gearbox Installation – A30-D

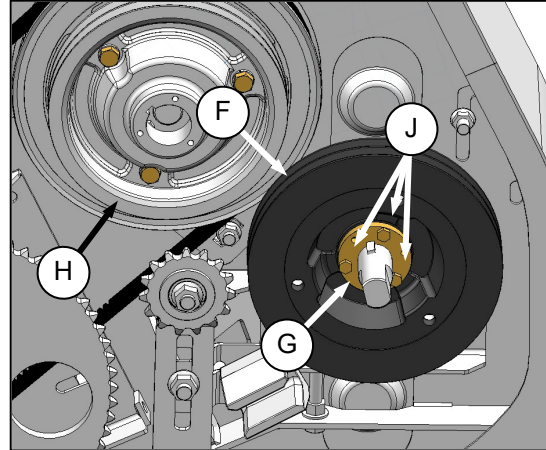


- a. Position gearbox (A) as shown, picking up the three holes in the end sheet.
- b. Install three flanged locknuts at (B) but do not tighten.

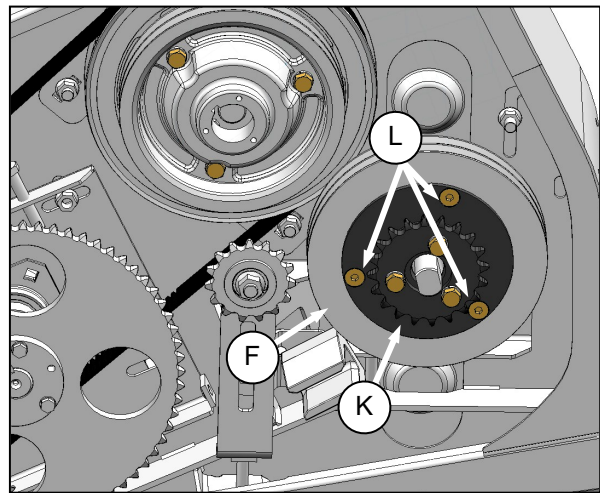


- c. Position channel (C) as shown, picking up the three holes in the end sheet.
- d. Install bolts (D) in the lower two holes and bolt (E) and nut in the upper hole and tighten. Install bolt (E) from backside.
- e. Tighten hardware.

- f. Install drive pulley (F) as follows:



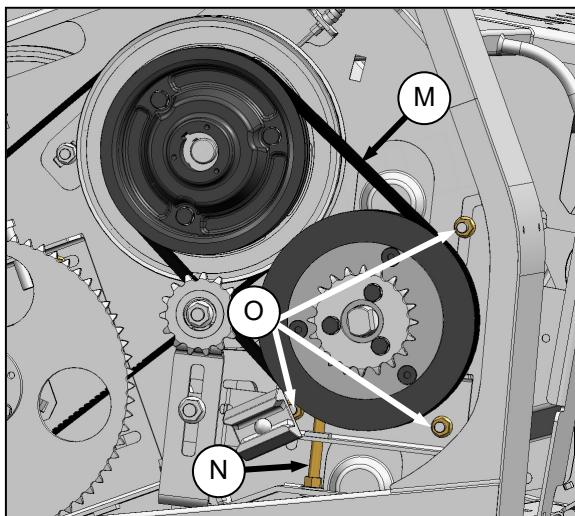
1. Slide pulley (F) onto shaft with key.
2. Install tapered bushing (G) onto shaft, ensuring holes are aligned with holes in pulley.
3. Align pulley (F) and countershaft pulley (H) faces to within .06 in. (1.5 mm).
4. Install three bolts (J) in tapered bushing (G) and tighten to 18 ft·lbf (25 N·m).
5. Tap bushing and re-torque. Repeat until bolts no longer turn at 18 ft·lbf (25 N·m).



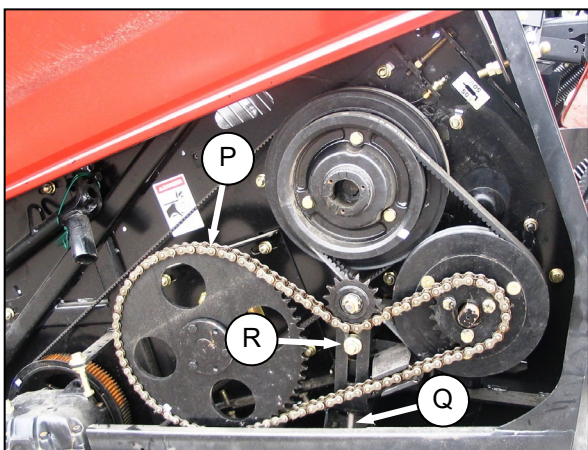
- g. Install hub and sprocket (K) with three bolts and nuts (L). Tighten to required torque.

(continued next page)

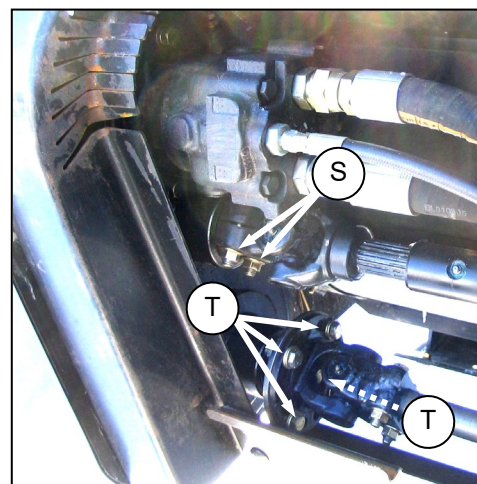
MAINTENANCE/SERVICE



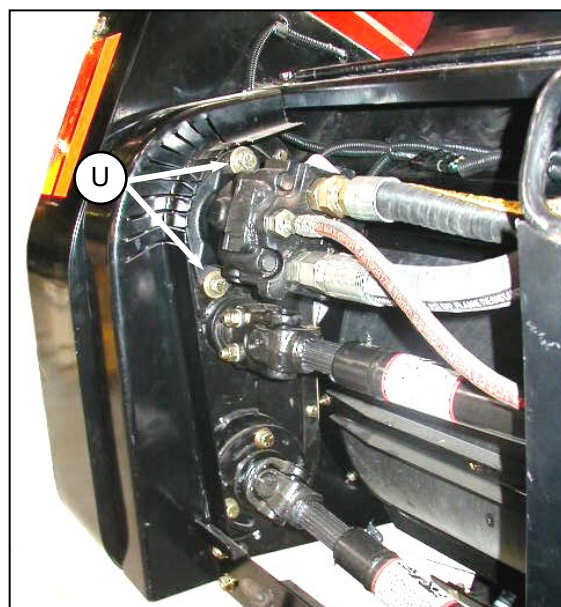
- h. Position auger drive belts (M) as shown.
- i. Turn adjuster bolt (N) so that belts (M) deflect 3/16 in. (4 mm) at mid-span when a load of 8-12 lbf (35-40 N) is applied to each belt.
- j. Tighten bolts (O) and jam-nut at (N).



- k. Install drive chain (P) onto sprockets.
- l. Turn adjuster bolt (Q) to give (5 mm) slack at mid-span of chain. Tighten nut (R) on idler sprocket support.
- m. Rotate auger and check chain for slack at tightest point. Re-adjust position of idler sprocket to achieve required slack.



- n. Slide upper roll driveline onto gearbox as shown. Install and tighten two bolts and nuts (S). Torque to 75 ft·lbf (102 N·m).
- o. Attach lower roll driveline flange onto gearbox flange using four bolts and nuts (T).
- p. Adjust roll timing. Refer to Section 6.17.11.2, Roll Timing and Alignment.
- q. Clean off excess sealant from motor flange and gearbox face.
- r. Apply light coat of silicone to motor flange and position motor on gearbox as shown until mounting holes are aligned and pinion engages gear in gearbox.

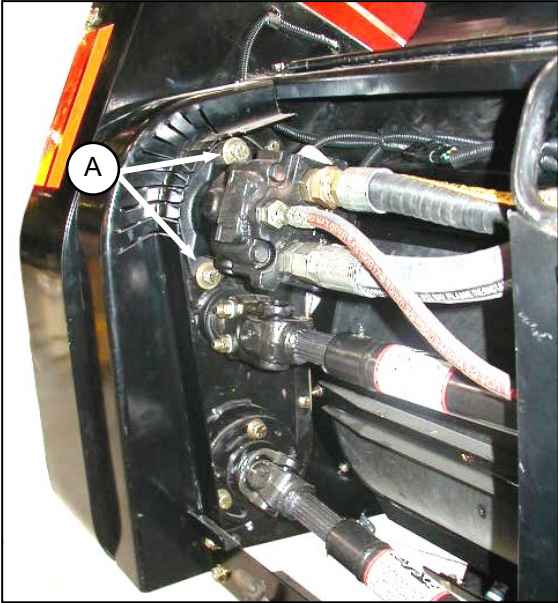


- s. Install bolts (U) and washers and torque to 75 ft·lbf (102 N·m).
- t. Reconnect hoses to motor.
- u. Close all shields before operating machine.

MAINTENANCE/SERVICE

7.13.7 Gearbox Removal – A40-D

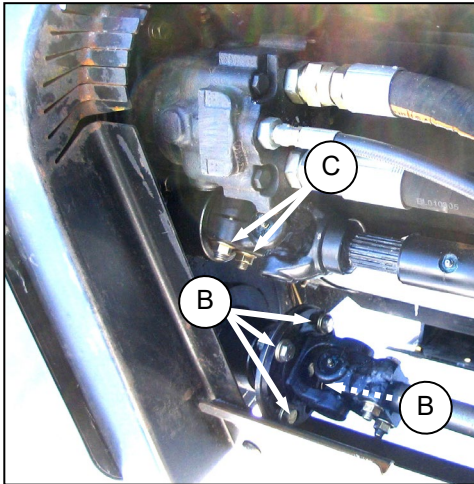
- a. Open shield covering conditioner drive.



- b. Remove the two bolts (A) securing motor to gearbox and remove motor.

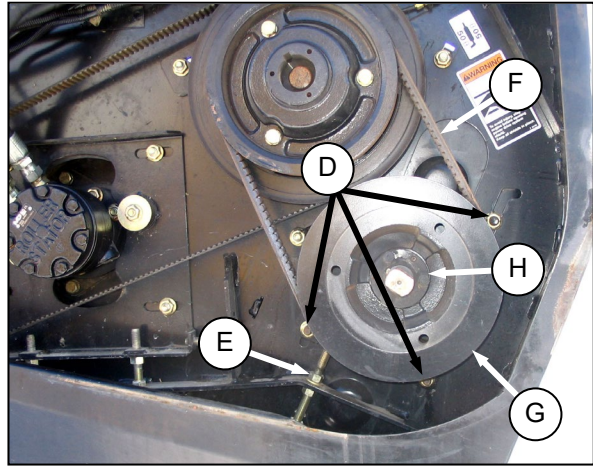
NOTE

It is not necessary to disconnect the motor hoses for this operation.

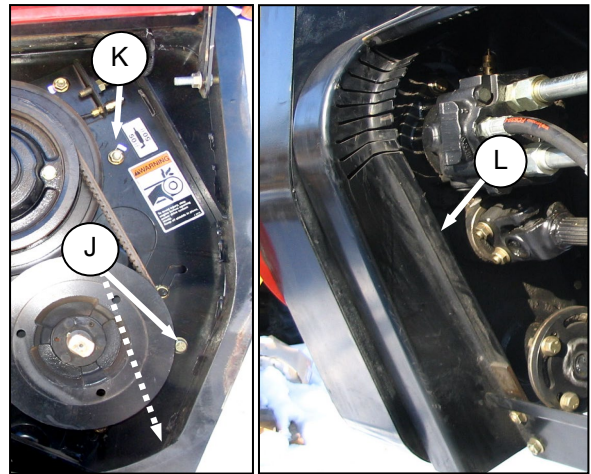


- c. Remove the four nuts and bolts (B) from the lower roll drive shaft and swing driveline clear of gearbox.
- d. Remove the two nuts and bolts (C) from the upper roll shaft at the gearbox and pull driveline clear of gearbox.

- e. Open the end shield on the LH side of the header.

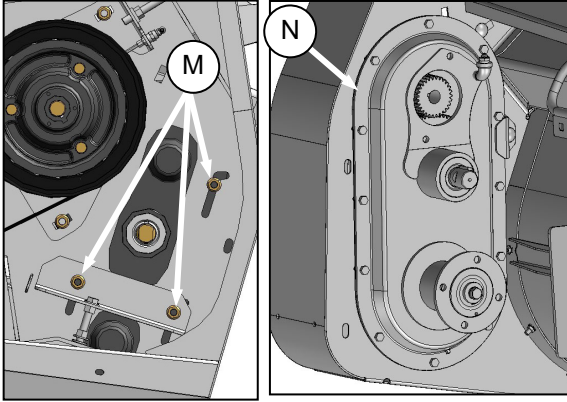


- f. Loosen three nuts (D) and jam-nut on adjuster bolt (E).
- g. Turn adjuster bolt (E) so that drive belts (F) can be slipped off pulley (G).
- h. Remove the sickle drive pulley (G) as follows:
1. Remove the three bolts from the tapered bushing (H) in pulley (D).
 2. Install bolts in the two threaded holes in bushing and tighten to release the bushing.
 3. Remove the pulley, bushing, and key.



- i. Remove the two bolts (J), and nut and bolt (K) attaching channel (L) to end sheet and remove channel (L).

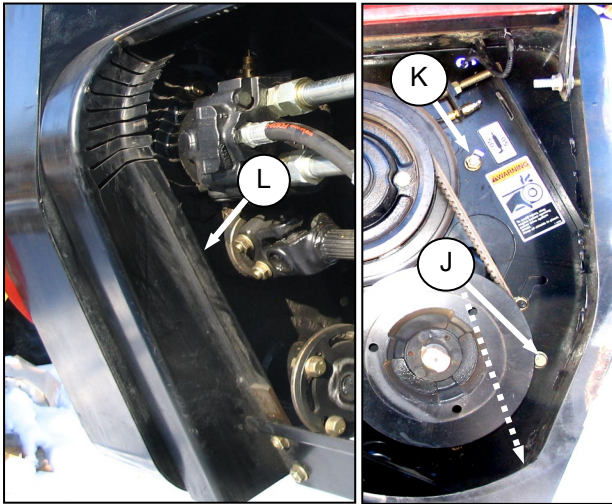
MAINTENANCE/SERVICE



- j. Remove the three flanged lock nuts (M) that secure gearbox (N) to header end sheet and remove gearbox.

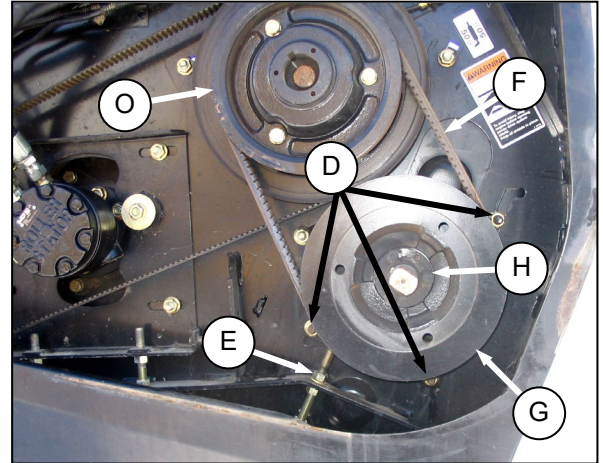
7.13.8 Gearbox Installation – A40-D

- a. Position gearbox (N) as shown picking up the three holes in the end sheet.
 b. Install three flanged locknuts (M) but do not tighten.

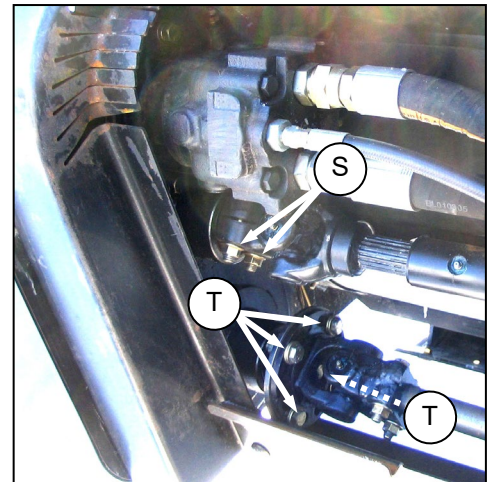


- c. Position channel (L), picking up the three holes in the end sheet.
 d. Install bolts at (J) in the lower two holes and bolt and nut (K) in the upper hole and tighten.
 e. Tighten hardware.

- f. Install drive pulley (G) as follows:



1. Slide pulley (G) onto shaft with key.
 2. Install tapered bushing (H) onto shaft, ensuring holes are aligned with holes in pulley.
 3. Align pulley (G) and countershaft pulley (O) faces to within .06 in. (1.5 mm).
 4. Install three bolts in tapered bushing (H) and tighten to 18 ft·lbf (25 N·m).
 5. Tap bushing and re-torque. Repeat until bolts no longer turn at 18 ft·lbf (25 N·m).
- g. Position belts (F) on pulleys (G) and (O).
 h. Turn adjuster bolt (E) to move pulley (G) until a force of 8-12 lbf (35-50 N) on each belt at mid-span deflects the belt (F) 0.16 in. (4 mm).
 i. Tighten jam-nut at (E) and three nuts (D).

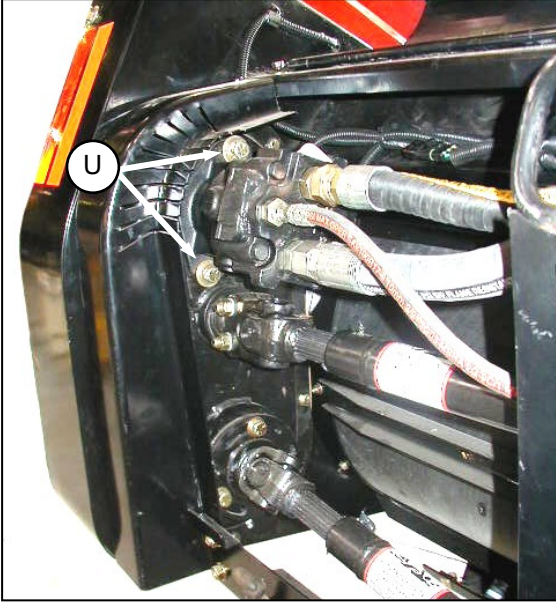


- j. Slide upper roll driveline onto gearbox as shown. Install and tighten two bolts and nuts (S). Torque to 75 ft·lbf (102 N·m).
 k. Attach lower roll driveline flange onto gearbox flange using four bolts and nuts (T).

(continued next page)

MAINTENANCE/SERVICE

- l. Adjust roll timing. Refer to Section 6.17.11.2, Roll Timing and Alignment.
- m. Clean off excess sealant from motor flange and gearbox face.
- n. Apply light coat of silicone to motor flange and position motor on gearbox as shown until mounting holes are aligned and pinion engages gear in gearbox.



- o. Install bolts (U) and washers and torque to 75 ft·lbf (102 N·m).
- p. Reconnect hoses to motor.
- q. Close all shields before operating machine.

7.13.9 Changing Gearbox Oil

NOTE

Change conditioner drive gearbox lubricant after the first 50 hours operation and every 1000 hours (or 3 years) thereafter.

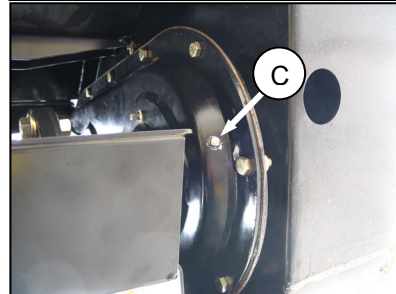
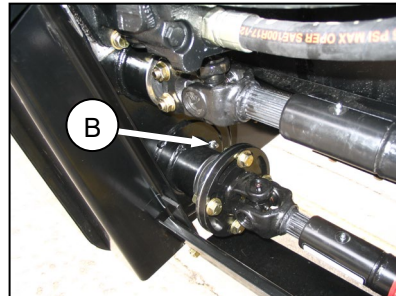
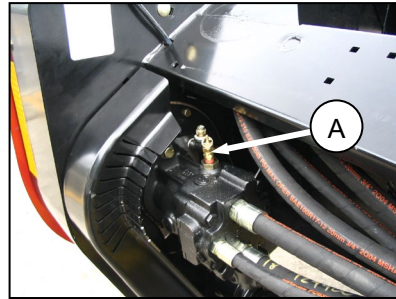
- a. Lower header to ground.



CAUTION

Stop engine and remove key from ignition before leaving operator's seat for any reason. A child or even a pet could engage an idling machine.

- b. Open driveline shield.
- c. Place a suitable container under gearbox drain to collect oil.



- d. Remove breather (A), check plug (B) and drain plug (C).
- e. Allow oil to drain.
- f. Replace drain plug (C) and add oil at (A) to required level. Use Gear Lubricant, SAE 85W-140, API Service Class GL-5, 1.5 qts (1.4 liters).
- g. Oil is at required level when it runs out of check plug (B).

MAINTENANCE/SERVICE

7.14 WHEELS, TIRES, AND HITCH – PULL-TYPE



CAUTION

To avoid personal injury, before servicing header/mower conditioner or opening drive covers, follow procedures in “Preparation for Servicing”, Section 7.1.

7.14.1 Wheel Bolts

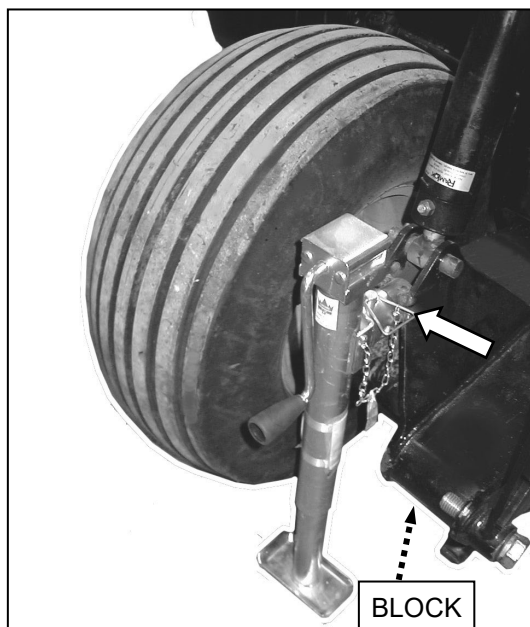
IMPORTANT

Check and tighten wheel bolts after the first hour of operation and every 100 hours thereafter.

IMPORTANT

Whenever a wheel is removed and re-installed, check torque after one hour of operation. Maintain 120 ft·lbf (160 N·m) torque.

7.14.2 Wheel Removal



- Lower header to the ground.
- Retrieve jack (5000 lb capacity) from storage position on APT.
- Position jack on mount provided on frame leg as shown and raise tire just off the ground. Place block under frame leg.
- Remove wheel bolts.
- Remove wheel.

7.14.3 Wheel Installation

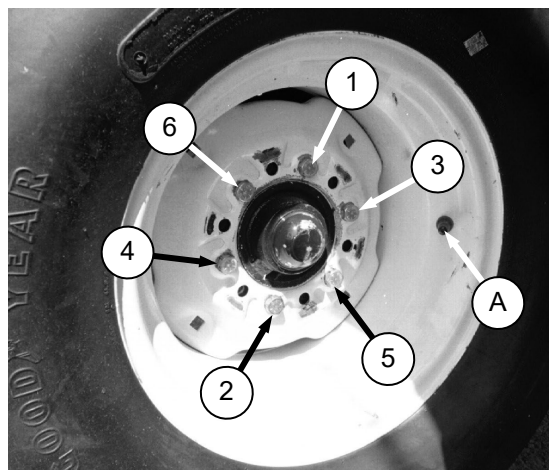


CAUTION

When installing wheel be sure to use the holes that are countersunk to match bolt head profile. The uncountersunk holes do not seat the bolts correctly.

IMPORTANT

Follow proper bolt tightening sequence shown. Be sure valve stem (A) points away from wheel support.



- Position wheel on spindle and install bolts. Partially tighten.
- Remove blocks and raise jack until tire contacts the ground.
- Torque bolts to 120 ft·lbf (160 N·m) in accordance with tightening sequence shown.
- Raise jack completely, remove from leg and store on APT.

MAINTENANCE/SERVICE

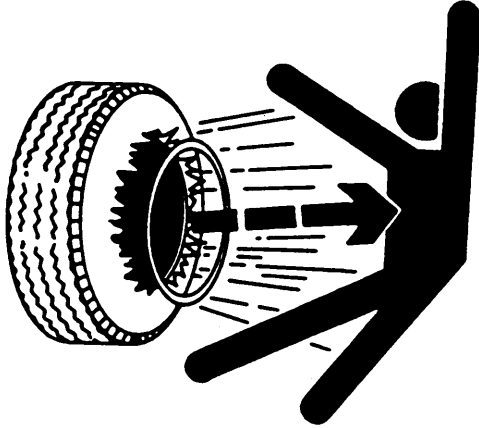
7.14.4 Tire Inflation

Check tire pressure daily. Maintain 30 psi (207 kPa).



WARNING

- Service tires safely.



- A tire can explode during inflation and cause serious injury or death.
- Do not stand over tire. Use a clip-on chuck and extension hose.
- Never increase air pressure beyond 35 psi (241 kPa) to seat the bead on the rim.
- Replace the tire if it has a defect.
- Replace a wheel rim, which has cracks, wear or severe rust.
- Never weld a wheel rim.
- Never use force on an inflated or partially inflated tire.
- Make sure the tire is correctly seated before inflating to operating pressure.
- If the tire is not in correct position on the rim, or is too full of air, the tire bead can loosen on one side, causing air to leak at high speed and with great force. An air leak of this nature can thrust the tire in any direction, endangering anyone in the area.
- Make sure all the air is removed from a tire before removing the tire from a rim.
- Do not remove, install or make repairs to a tire on a rim unless you have the proper equipment and experience to perform the job.
- Take the tire and rim to a qualified tire repair shop.

7.15 SKID SHOE WEAR PLATE REPLACEMENT

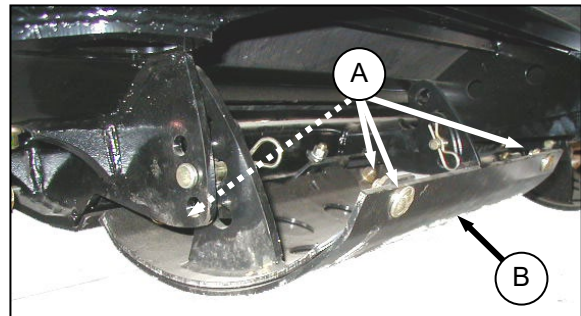
The skid shoes are equipped with replaceable wear plates that can be reversed for increase service life. It is recommended that the wear plates be replaced when the skid shoe weldment becomes exposed. Replace wear plates as follows:

- a. Raise header and engage lift cylinder stops.



CAUTION

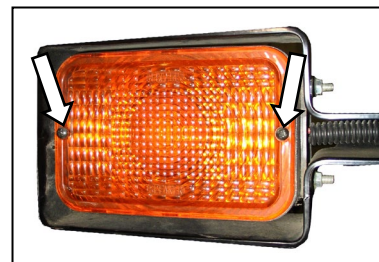
Stop engine and remove key from ignition before leaving operator's seat for any reason. A child or even a pet could engage an idling machine.



- b. Remove bolts (A) and remove wear plates (B).
- c. Position replacement wear plate (B) as shown. (The same wear plate can be reinstalled but in the reverse position).
- d. Secure wear plate with bolts and nuts (A).
- e. Disengage lift cylinder stops.

7.16 ELECTRICAL

- a. Use electrical tape and wire clips as required to prevent wires from dragging or rubbing.
- b. Keep lights clean and replace burnt bulbs.
- c. To replace light bulbs:



Bulb Part No. - Trade #1156

1. Using a phillips screwdriver, remove screws from fixture and remove plastic lens.
2. Replace bulb and reinstall plastic lens and screws.

MAINTENANCE/SERVICE

7.17 MAINTENANCE SCHEDULE

The following maintenance schedules list periodic maintenance procedures, and are organized by service intervals. Regular maintenance is the best insurance against early wear and untimely breakdowns. Following this schedule will increase machine life. For detailed instructions, refer to the specific headings in Section 6, Maintenance/Service.

Recommended service intervals are in **hours of operation**. Where a service interval is given in more than one time frame, e.g. "100 hours or Annually", service the machine at whichever interval is reached first.

IMPORTANT

Recommended intervals are for average conditions. Service the machine more often if operated under adverse conditions (severe dust, extra heavy loads, etc.).



CAUTION

Carefully follow safety messages given under Section 7.2, Recommended Safety Procedures.

7.17.1 Self-Propelled

NOTE

The following service schedule is only applicable to the Auger Header. Refer to your Windrower Operator's Manual #169007 for windrower maintenance.

7.17.1.1 Break-In Inspection - SP

HRS.	ITEM	CHECK	REFERENCE
5	Hardware	Torque	Sec. 7.3
5, 25, & 50	Auger Drive Belt	Tension	Sec. 7.11.3 & 7.11.4
	Reel Drive Belt	Tension	Sec. 7.9.2
	Sickle Drive Belt	Tension	Sec. 7.8.8 & 7.8.9
10	Auger Drive Chain	Tension/Lub.	Sec. 7.11.1 & 7.11.2
	Reel Drive Chain	Tension/Lub.	Sec. 7.9.1
	Wobble Box Mounting Bolts	Torque	200 ft-lbf (270 N·m) Sec.7.8.10.

7.17.1.2 Interval Maintenance - SP

INTERVAL	SERVICE	
FIRST USE	Refer To Section 7.17.1.1 Break-In Inspection.	
100 HOURS OR ANNUALLY *	1. Check Conditioner Drive Gearbox Lubricant Level. 2. Check Wobble Box Lubricant Level.	3. Check Wobble Box Mounting Bolt Torques.
END OF SEASON	Refer To Section 6.19, STORAGE.	
10 HOURS OR DAILY	1. Check Hydraulic Hoses And Lines For Leaks. 2. Oil Sickle (Except In Sandy Conditions. 3. Check Sickle Sections, Guards, & Hold-Downs	4. Oil Reel Drive Chain (except A40-D). 5. Oil Auger Drive Chain (except A40-D). 6. Check Wobble Box Bolt Torque (First 10 Hours Only, Every 100 Hours Thereafter).
25 HOURS	1. Grease Sickle Head.	
50 HOURS	1. Grease Reel Shaft Bearings. 2. Grease Auger Shaft Bearings. 3. Grease Auger Jack-Shaft Bearings (except A40-D). 4. Grease Conditioner Universal Shafts. 5. Grease Conditioner Shaft Bearings. 6. Grease Roll Pivots Bearing.	7. Grease Tine Tube Bearings (A40-D). 8. Grease Gauge Roller Bearings. 9. Change Wobble Box Lubricant. (First 50 Hours Only, Every 1000 Hours Thereafter). 10. Change Conditioner Drive Gearbox Lubricant (First 50 Hours Only, Every 1000 Hours Thereafter).
1000 HOURS OR 3 YEARS	1. Change Wobble Box Lubricant.	2. Change Conditioner Drive Gearbox Lubricant.

MAINTENANCE/SERVICE

7.17.1.3 Maintenance Record - SP

Self-Propelled Windrower Header													
	ACTION:	✓ - Check	⬇ - Lubricate	▲ - Change									
MAINTENANCE RECORD	Hour Meter Reading												
	Date												
	Serviced By												
	BREAK-IN	Refer To Section 7.17.1.1, Break-In Inspection.											
	100 HOURS OR ANNUALLY												
✓	Conditioner Drive Gearbox Lube Level												
⬇	Wheel Hub Bearings												
✓	Wobble Box Bolt Torque												
✓	Wobble Box Lubricant Level												
	END OF SEASON	Refer To Section 6.19, STORAGE.											
	10 HOURS OR DAILY	NOTE: A RECORD OF DAILY MAINTENANCE IS NOT NORMALLY REQUIRED BUT IS AT THE OWNER/OPERATOR'S DISCRETION.											
⬇	Auger Drive Chain (except A40-D)												
✓	Hydraulic Hoses & Lines												
✓	Hydraulic Oil Level												
⬇	Reel Drive Chain (except A40-D)												
⬇	Sections, Guards, Hold-downs												
✓	Sickle Assembly												
✓	Wobble Box Bolt Torque - First 10 H Only												
	25 HOURS												
⬇	Sickle Head												
	50 HOURS												
⬇	Auger Drive Jackshaft Bearings (except A40-D)												
⬇	Auger Shaft Bearings												
⬇	Gauge Roller Bearings												
⬇	Main Drive Shaft Bearings												
⬇	Tine Bar Bearings (A40-D)												
⬇	Reel Shaft Bearings												
▲	Conditioner Gearbox Oil - First 50 H Only												
⬇	Conditioner Universal Shafts												
⬇	Roll Pivots												
⬇	Conditioner Shaft Bearings												
⬇	Sickle Drive Cross-Shaft												
▲	Wobble Box Oil - First 50 H Only												
	1000 HOURS OR 3 YEARS												
▲	Conditioner Drive Gearbox Lubricant												
▲	Wobble Box Lubricant												

MAINTENANCE/SERVICE

7.17.2 Pull-Type Mower Conditioner

7.17.2.1 Break-In Inspection - PT

HRS.	ITEM	CHECK	REFERENCE
1	Wheel Bolts	Torque	120 ft·lbf (160 N·m) Sec. 6.15.1
	Steering Cylinder Clevis & Stroke Control	Torque	52 ft·lbf (72 N·m)
5, 25, 50	Auger Drive Belt	Tension	Sec. 7.11.3 & 7.11.4
	Reel Drive Belt	Tension	Sec. 7.9.2
	Sickle Drive Belt	Tension	Sec. 7.8.8 & 7.8.9
5	Hardware	Torque	Sec. 7.3
10	Auger Drive Chain	Tension/Lub.	Sec. 7.11.1 & 7.11.2
	Reel Drive Chain	Tension/Lub.	Sec. 7.9.1
	Wobble Box Mtg Bolts	Torque	200 ft·lbf (270 N·m) Sec.7.8.10.

7.17.2.2 Interval Maintenance - PT

INTERVAL	SERVICE	
FIRST USE	Refer To Section 7.17.2.1. Break-In Inspection	
100 HOURS OR ANNUALLY *	<ol style="list-style-type: none"> 1. Check Conditioner Drive Gearbox Lubricant Level. 2. Check Wobble Box Lubricant Level. 3. Check Wobble Box Mounting Bolt Torques. 	<ol style="list-style-type: none"> 4. Check Wheel Bolt Torques. 5. Grease Wheel Hub Bearings. 6. Change Hydraulic Oil Filter (First 100 Hours Only, Every 250 Hours Thereafter).
END OF SEASON	Refer To Section 6.19, STORAGE.	
10 HOURS OR DAILY	<ol style="list-style-type: none"> 1. Check Hydraulic Oil Level. 2. Check Hydraulic Hoses And Lines For Leaks. 3. Oil Sickle (Except In Sandy Conditions. 4. Check Sickle Sections, Guards, & Hold-Downs 	<ol style="list-style-type: none"> 5. Oil Reel Drive Chain. 6. Oil Auger Drive Chain. 7. Check Tire Pressure. 8. Check Wobble Box Bolt Torque (First 10 Hours Only, Every 100 Hours Thereafter).
25 HOURS	<ol style="list-style-type: none"> 1. Grease Sickle Head. 	
50 HOURS	<ol style="list-style-type: none"> 1. Grease APT Pivot. 2. Grease Reel Shaft Bearings. 3. Grease Auger Shaft Bearings. 4. Grease Auger Jack-Shaft Bearings. 5. Grease Conditioner Universal Shafts. 6. Grease Conditioner Shaft Bearings. 7. Grease Roll Pivots Bearing. 	<ol style="list-style-type: none"> 8. Grease Frame-To-Header Pivots. 9. Grease Lower Float Link Bushings. 10. Grease Gauge Roller Bearings. 11. Change Wobble Box Lubricant. (First 50 Hours Only, Every 1000 Hours Thereafter). 12. Change Conditioner Drive Gearbox Lubricant (First 50 Hours Only, Every 1000 Hours Thereafter).
250 HOURS	Change Hydraulic Oil Filter.	
500 HOURS OR 3 YEARS	Change Hydraulic Oil.	
1000 HOURS OR 3 YEARS	<ol style="list-style-type: none"> 1. Change Wobble Box Lubricant. 	<ol style="list-style-type: none"> 2. Change Conditioner Drive Gearbox Lubricant.

*** IT IS RECOMMENDED THAT ANNUAL MAINTENANCE BE DONE PRIOR TO START OF OPERATING SEASON.**

TROUBLESHOOTING

8 TROUBLESHOOTING

8.1 WINDROWER PERFORMANCE

SYMPTOM	PROBLEM	SOLUTION	SECTION
Carryover of Crop On Reel.	Reel speed too fast.	Reduce reel speed (sprocket size).	6.17.3
Material Build-Up On Header Frame.	Auger speed too fast.	Reduce auger speed (sprocket size).	6.17.2
	Very light crop.	Reduce tractor/windrower rpm.	-
Insufficient Conditioning Of Stems.	Roll gap too large.	Decrease roll gap.	6.17.11
Leaves Damaged, Crushed Or Stripped Off Stems.	Reel speed too fast.	Reduce reel speed.	6.17.3
	Roll gap too small.	Increase roll gap.	6.17.11
	Rolls improperly timed.	Adjust roll timing.	6.17.11.2
Slow Crop Drying.	Rolls not crimping crop sufficiently.	Decrease roll gap.	6.17.11
	Crop is spread too narrow.	Adjust forming shields for wider swath.	6.17.13
	Crop is bunched in windrow.	Adjust forming shields/baffle.	6.17.13
Excessive Drying Or Bleaching Of Crop.	Excessive crimping.	Increase roll gap.	6.17.11
	Crop is spread too wide in windrow.	Adjust forming shields.	6.17.13
Leaving Small Strip Of Flattened, Uncut Material.	Crowding of the uncut material.	Steer tractor slightly away from uncut crop.	-
	Reel position incorrect.	Move reel forward and down.	6.17.5
	Sickle sections or guards are worn or broken.	Replace worn or broken parts.	7.8.1 & 7.8.7
Long Stubble In Down Crop.	Cutting height too high.	Lower cutting height with skid shoes.	6.17.7
	Ground speed too fast.	Slow down.	
	Header angle too flat for guards to pick up down crop.	Increase header angle.	6.17.8
	Reel position incorrect.	Move reel forward and down.	6.17.5
	Tine aggressiveness too low	Rotate cam clockwise (viewed from R/H end) for more aggressive tine action.	6.17.6

TROUBLESHOOTING

SYMPTOM	PROBLEM	SOLUTION	SECTION
Pulling Material By The Roots Or Tail Material Leaning Into Machine.	Ground speed too slow.	Increase ground speed.	--
	Reel position incorrect.	Move reel forward and down.	6.17.5
Ragged Or Uneven Cutting Of Crop.	Bent or misaligned guards causing poor shearing action.	Align guards for proper shearing action.	7.8.7
	Bent sickle causing binding.	Straighten bent sickle. Check alignment and adjust if necessary.	7.8.2
	Ground speed too fast.	Slow down. Ground speed should not exceed 8 mph (13 km/h).	--
	Header angle too flat for guards to pick up down crop.	Increase header angle.	6.17.8
	Header flotation too light, causing bouncing.	Adjust to heavier float setting.	6.17.9
	PTO speed too slow (pull-type).	Maintain proper RPM on PTO. Check for proper match of pump & gear-drive at PTO.	--
	Reel drive chain too loose (except A40-D).	Increase chain tension.	7.9.1
	Reel position incorrect.	Move reel forward and down.	6.17.5
	Relief valve pressure too low.	Replace valve.	See Dealer
	Sickle drive belt too loose.	Increase belt tension.	7.8.9 to 7.8.11
Sickle sections or guards are worn or broken.	Replace worn or broken parts.	7.8.1 & 7.8.7	
Conditioner Plugging.	Ground speed too fast.	Slow down.	--
	Roll gap too large for proper feeding.	Decrease roll gap.	6.17.11
	Roll gap too small in thick stemmed cane-type crops.	Increase roll gap.	6.17.11
	Rolls improperly timed.	Adjust roll timing.	6.17.11.2
Sickle Plugging.	Bent or misaligned guards.	Align guards.	7.8.7
	Extremely thick or wet undergrowth.	Raise cutting height to clear undergrowth.	6.17.7
		Consider use of stub guards.	8.6
	Header flotation too heavy.	Adjust to lighter float setting.	6.17.9
	PTO speed too slow (pull-type).	Maintain proper RPM on PTO. Check for proper match of pump & gear-drive at PTO.	5.3.1

TROUBLESHOOTING

SYMPTOM	PROBLEM	SOLUTION	SECTION
Sickle Plugging (cont'd).	Reel position incorrect.	Move reel back and down (close to guards).	6.17.5
	Sickle drive belt too loose.	Adjust belt tension.	7.8.9 to 7.8.11
	Sickle hold-downs improperly adjusted.	Adjust hold-downs so sickle works freely.	6.17.7
	Sickle sections or guards are worn or broken.	Replace worn or broken parts.	7.8.1 & 7.8.7
	Wet undergrowth.	Cut when undergrowth is dry.	--
Uneven Formation And Bunching Of Windrow.	Auger to stripper clearance too wide.	Adjust auger to stripper bars clearance.	6.17.3
	Forming shields improperly adjusted, fluffer too low.	Adjust forming shields, raise fluffer.	6.17.13
	Fluffer bypassing or dragging crop.	Adjust fluffer for proper crop control.	6.17.12
	Reel not feeding properly in heavy crops.	Decrease ground speed.	--
	Roll gap too large.	Adjust roll gap.	6.17.11
	Conditioner running too slow.	Maintain rated knife/conditioner speed.	6.17.2 & 6.17.3
	Uneven crop flow across auger.	Remove front stripper bar or stripper bar extension if installed.	7.11.7
	Excessive center feeding of crop.	Remove front stripper bar extensions if installed.	7.11.7
Build up of crop at ends of rolls, especially in tall crops.	Add front stripper bar extension	7.11.7	
Uneven Windrow Formation In Light Crop.	Rear of feed pan too low.	Raise rock drop tine bar.	6.17.10
Reel Causes Seed Loss (e.g. Grass Seed).	Reel speed too fast.	Adjust flow control on tractor/windrower	6.17.3
	Header angle too steep, causing tines to contact ground.	Flatten header angle, and check header float.	6.17.8
	Reel not correctly positioned.	Lower reel speed, move reel rearward, as close as possible to auger, and downward as close as possible to knife and pan.	6.17.3 & 6.17.5
Auger Plugging In Heavy Grass Seed.	Poor crop flow across auger.	Remove lower stripper bar and middle stripper bar if necessary.	7.11.7
Plugging At Delivery Opening In Heavy Grass Seed.	Opening too narrow.	Move pan extensions to widest position.	6.17.15

TROUBLESHOOTING

SYMPTOM	PROBLEM	SOLUTION	SECTION
Grass Seed Windrow Too Wide or Too Narrow.	Pan extensions not adjusted properly.	Adjust pan extensions.	6.17.15

8.2 MECHANICAL

SYMPTOM	PROBLEM	SOLUTION	SECTION
Auger And/Or Conditioner Rolls Damaged By Stones.	Feed pan doesn't allow stones to fall through.	Lower rock-drop tines.	6.17.10
Excessive Breakage Of Sickle Sections Or Guards.	Ground speed too high in stony conditions.	Reduce ground speed.	--
	Cutting height too low in stony conditions.	Raise cutting height with skid shoes.	6.17.7
	Header angle too steep in stony conditions.	Decrease header angle.	6.17.8
	Header flotation too heavy in stony conditions.	Adjust to lighter float setting.	6.17.9
	Sickle speed too slow.	Maintain proper RPM on PTO. Check for proper match of pump & gear-drive at PTO.	--
	Guards, sickle and hold-downs misaligned.	Straighten guards, align hold-downs.	7.8.7 & 7.8.8
Excessive Heating Of Hydraulic Oil.	Relief pressure too low.	Replace relief valve.	See Dealer
Header Stalling In Extremely Tall, Heavy Crop (6+ Tons Per Acre).	Insufficient crop clearance at rear of feed pan. Feeding aids for shorter, lighter crop impede flow of heavy or thick stemmed crops (cane, sudan grass etc.).	Lower rock drop tines (rear of header pan).	6.17.10
		Remove rubber fingers from auger at delivery opening.	7.11.6
		Increase roll gap.	6.17.11
		Remove front set of stripper bars.	7.11.7
Header Turns While Unloaded But Slows Or Stops When Starting To Cut.	Low reservoir oil level.	Add oil to reservoir.	7.7.2.3
	Defective motor.	Repair motor.	See Dealer
	Defective O-ring inside relief valve.	Replace relief valve.	See Dealer
	Defective pump.	Repair pump.	See Dealer
	Defective relief valve.	Repair relief valve.	See Dealer
	PTO slipping on tractor.	Repair tractor PTO system.	See Dealer

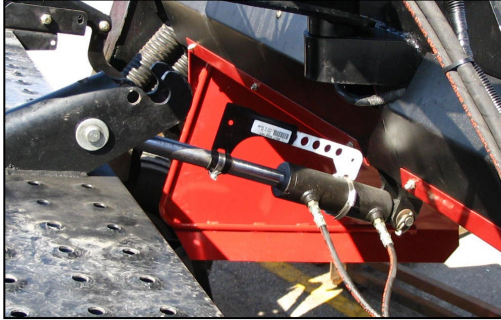
TROUBLESHOOTING

SYMPTOM	PROBLEM	SOLUTION	SECTION
Header Turns While Unloaded But Slows Or Stops When Starting To Cut.	Cold oil in system.	Reduce ground speed until oil reaches operating temperature.	--
Knocking In Sickle Drive.	Worn needle bearing in sickle head.	Replace.	7.8.4
	Worn sickle head pin.	Replace.	7.8.3
	Incorrect end guards.	Replace with special end guards.	7.8.6.2
Sickle Back Breakage.	Dull sickle.	Replace.	7.8.4
	Worn sickle head pin.	Replace.	7.8.3
	Bent or broken guard.	Straighten or replace.	7.8.7
	Incorrect end guards at sickle head.	Replace with correct number of special guards.	7.8.7
Windrower Side Drift.	Header is dragging on one end and pulling to that side.	Adjust skid shoes to prevent cutterbar dragging.	6.17.8
		Adjust header flotation.	6.17.9
	Low tire pressure on one side (pull-type).	Check and correct tire pressure (30 psi (207 kPa)).	6.15.3
Lights Malfunctioning.	Improper ground.	Check for proper grounding between light base and header.	6.8
	Burnt out bulb.	Replace bulb.	7.16
	Poor connection.	Check connector at tractor/windrower.	6.4.3

OPTIONS AND ATTACHMENTS

9 OPTIONS AND ATTACHMENTS

9.1 HYDRAULIC HEADER ANGLE KITS - PULL-TYPE



This kit allows the header angle to be adjusted hydraulically with a cylinder replacing the standard mechanical link. A separate hydraulic circuit is required or the existing APT steering cylinder hydraulic circuit can be utilized, depending on the tractor hydraulics. Installation instructions are included with the kits.

9.2 ADDITIONAL SKID SHOES



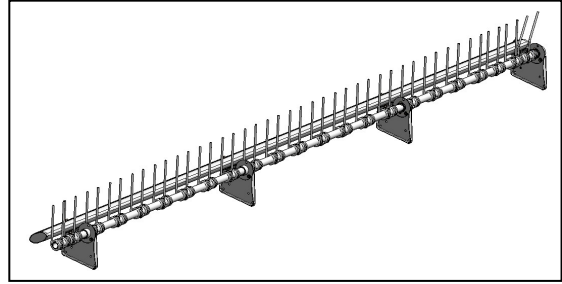
In addition to the standard two outer skid shoes, two inner skid shoes may be added for extra control of cutting height and protection of cutting components.

9.3 GAUGE ROLLER KIT



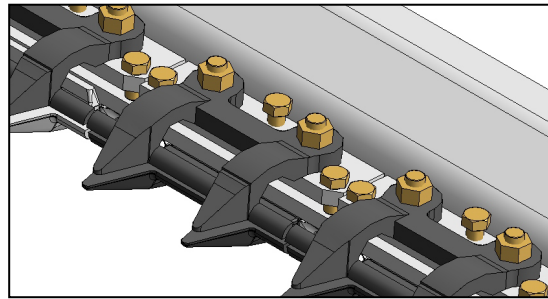
The gauge roller kit replaces the outer skid shoes and consists of rollers in place of skid shoes. They can be adjusted for varying cutting height.

9.4 REPLACEMENT REEL BAT KITS - A30-S, A30-D



Consists of one complete bat assembly for ease of replacement.

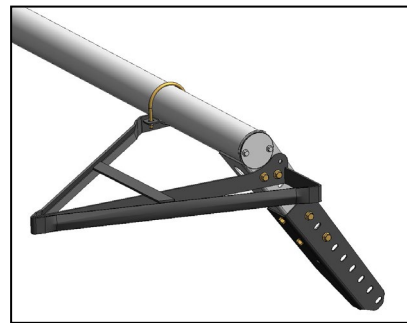
9.5 STUB GUARD CONVERSION KIT



Stub guards, complete with top guides and adjuster plates are designed to cut tough crops.

Installation and adjustment instructions are included with the kit.

9.6 TALL CROP DIVIDER KIT



The tall crop dividers attach to the ends of the header for clean crop dividing and reel entry in tall crops. The kit includes left and right dividers, lean bar extensions and attachment hardware.

UNLOADING AND ASSEMBLY

10 UNLOADING AND ASSEMBLY

Refer to header specific instruction for unloading, assembly and set-up procedures that are included with your shipment.

HEADER DESCRIPTION	USED ON	INSTRUCTION PART NUMBER
A30-S, A30-D	Pull-Type Mower Conditioner	169001
A30-S, A30-D, A40-D	Self-Propelled Windrower	169078

INDEX

3 Point Hitch	27, 29	A30-D	158, 160
Abbreviations	15	A30-S	154, 156
APT	16, 18	A40-D	162, 163
Assembly	177	drain	164
Attachments	176	oil change	164
Auger		Grass Seed Windrowing	89
beaters	89	Greasing	99
pan extensions	89	A30-D header	102, 103
pans	152	A30-S header	100, 101
position	63	A40-D header	104, 105
rubber fingers	152	hay conditioner	106
speed	61	pull-type	108
Auger Drive		Ground Speed	88
A30-D belt tension	151	Guards	
A30-S belt tension	150	alignment	116
A30-S, A30-D	148	offset	118
A40-D	153	pointed	117, 118
sprockets	61	replacement	117
Auger Drive Chain		stub	119, 120
A30-D	149	Hay Conditioner	82
A30-S	148	Haying Tips	91
Auger Speed		Header	
A30-S and A30-D	61	cylinder lockouts	55
A40-D	61	Header Angle	
Bearing, sealed		adjustment	79
installation	111	Header Attachment	
Bolt Torques	94	A30-S, A30-D	35
Break-In Inspection	167, 169	A40-D	37
Break-In Period	54	self-propelled	35
Clearance		Header Detachment	
auger/stripper bar	63, 152	A30-S, A30-D	44
sickle	121	A40-D	45
sickle head	137	Header Flotation	80
tine/cutterbar	77	Header Operation	60
Components	16	Hook-Up	
Conditioner	154	3 point hitch	29
Couplers	44	drawbar	28
Cutting Height	78	electrical	31
Decals		PTO & hydraulics	31
roll gap	82	Hook-Up, Pull-Type	28
safety	5	Hydraulic Connections	
Dimensions	20	A30-S, A30-D	35
Downstop Chains	30	A40-D	37
Drawbar Adjustment	25	grass seed	45
Drive Motor	154	jumper hose	42
Drive Shields	98	M100	39
Driving on Windrow	91	M150	40
Drying Agents	91	M200	41
Electrical		Hydraulic Fittings	95
lights and wiring	166	Hydraulics	112
Feed Pan Position	81	adding oil	112
Fluffer	87	draining oil	112
Fore-Aft Adjust		hoses and lines	113
A30-D auger	67	leaks	113
A30-S auger	63	oil filter	113
A30-S, A30-D reel	72	oil level	112
A40 auger	71	relief valve	113
A40 reel	75	Jack	28
Forming Rods	90	Lean Bar	60
Forming Shields	86	Lift Cylinder lockouts	55
Gauge Roller Kit	176	Lifting Vehicle	51
Gauge Rollers		Lock-Outs	98
adjustment	78	lift cylinder	55
Gearbox		steering	49

INDEX

Lubricants	96	removal	114
Lubrication	99	sections	114
Maintenance Record	168, 170	spare	116
Maintenance Schedule	167	unplugging	59
Maintenance/Service	93	Sickle Drive	
Metric Conversions	97	timing	134
Moisture, topsoil	91	Sickle Drive Belt	
Oiling	110	A30-D	125, 128
Operating Variables	60	A30-S	123
Options	176	A40-D	130, 132
Owner/Operator Responsibilities	24	Sickle Hold-Down	
Pan	152	adjustments	121
Pitman Arm	136, 137	Side Deflectors	86
Pre-Season Checks	54	Skid Plates	
PTO		additional	176
engaging	55	Skid Shoes	
Raking	91	adustment	78
Reel		Specifications	20
A40-D	143	pull-type	20
drive belts A30-S, A30-D	140	self-propelled	22
drive chain A30-S, A30-D	139	Start-Up Check	54
position	72	Steering	56
tines and bearings A30-S, A30-D	141	Steering Cylinder	
tines and bearings A40-D	143	adjust	56
Reel Bat Kit	176	during transport	50, 51
Reel Drive		Storage	92
sprockets	62	Stripper Bars	63, 152
Reel Position		extensions	153
A30-S & A30-D	72, 73	Stub Guard Conversion Kit	176
A40-D	75	Stub Guards	89
Reel Speed		double knife	120
A30-S & A30-D	62	single knife	119
A40-D	62	Tall Crop Divider	176
Relief Valve	113	Tedding	91
Reservoir		Tine Adjustment	77
hydraulic	112	Tire Inflation	166
oil level	112	Topography	91
Reverser Valve	42	Torques	94
Rock-Drop Position	81	Towing	47
Rolls		Tracking, Pull-Type	56
alignment	83	Tractor	
gap	82	drawbar	25
tension	85	set-Up	25
timing	83	Transport Lock	49, 51
unplugging	59	Transporting	47, 48
Rubber Fingers	152	flatbed	50
Safety		Troubleshooting	
general	13	mechanical	174
owner	24	windrower performance	171
procedures	93	Turning	
shut-down	55	180 degrees	58
signal words	5	square corners	57
signs	5	Unhook Pull-Type	32
start-up	54	Unloading	52, 177
symbols	5	Unplugging	
Safety Signs		rolls	59
pull-type	6	sickle	59
self-propelled	9, 11	Valve Blocks	45
Serial Number	1	Vertical Adjust	
Shields, drive	98	A30-D auger	69
Shut-Down	55	A30-S auger	65
Sickle		A30-S, A30-D reel	73
bearing replacment	115	A40 auger	71
guards	116	A40 reel	75
installation	115	Wear Plates	166

INDEX

Weather.....	91	Wobble Box.....	136
Wheels		mounting bolts.....	136
remove/install.....	165	oil level.....	110
Windrow Characteristics.....	91	pulley.....	138