

# **A30-D and A40-D Pull-Type Mower Conditioner and Self-Propelled Auger Header**

Supplement to Operator's Manual

169000\_SUPPLEMENT\_2 Revision D

Original Instruction

## **Purpose of Supplement**

After your operator's manual was printed, a decal was added to the A30-D mower conditioner hitch to alert the Operator that the transport lock pin must be in place before transport.

Replace the following pages of the A30-D and A40-D Operator's Manual, 169000 Revision F, with the pages provided in this supplement:

- Safety Sign Location - pages 10–12
- Safety Sign Definitions - pages 15–19
- Preparing Mower Conditioner for Transport - page 55

# 1 Safety

## 1.1 Safety Sign Locations: Pull Type

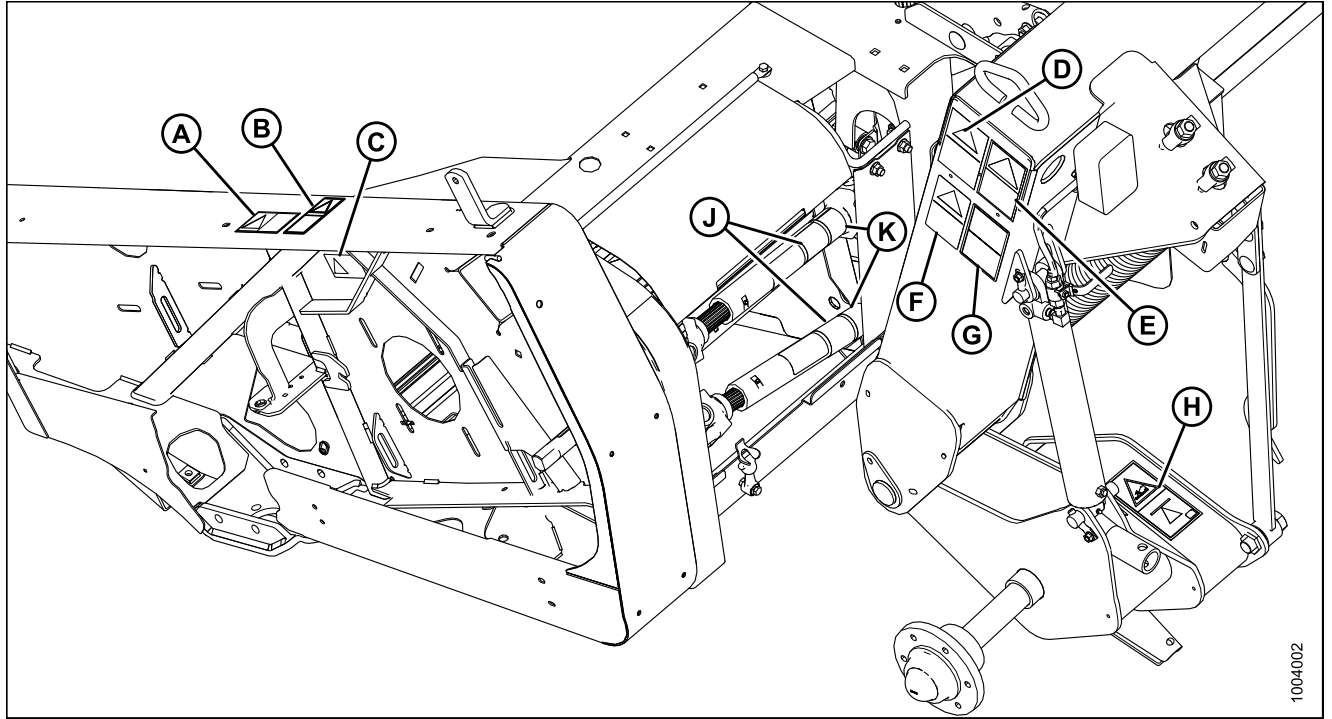


Figure 1.1: Left Side

A - MD #174632  
E - MD #194464  
J - MD #36651

B - MD #184422  
F - MD #174436  
K - MD #194521

C - MD #166452  
G - MD #171287

D - MD #113482  
H - MD #171279

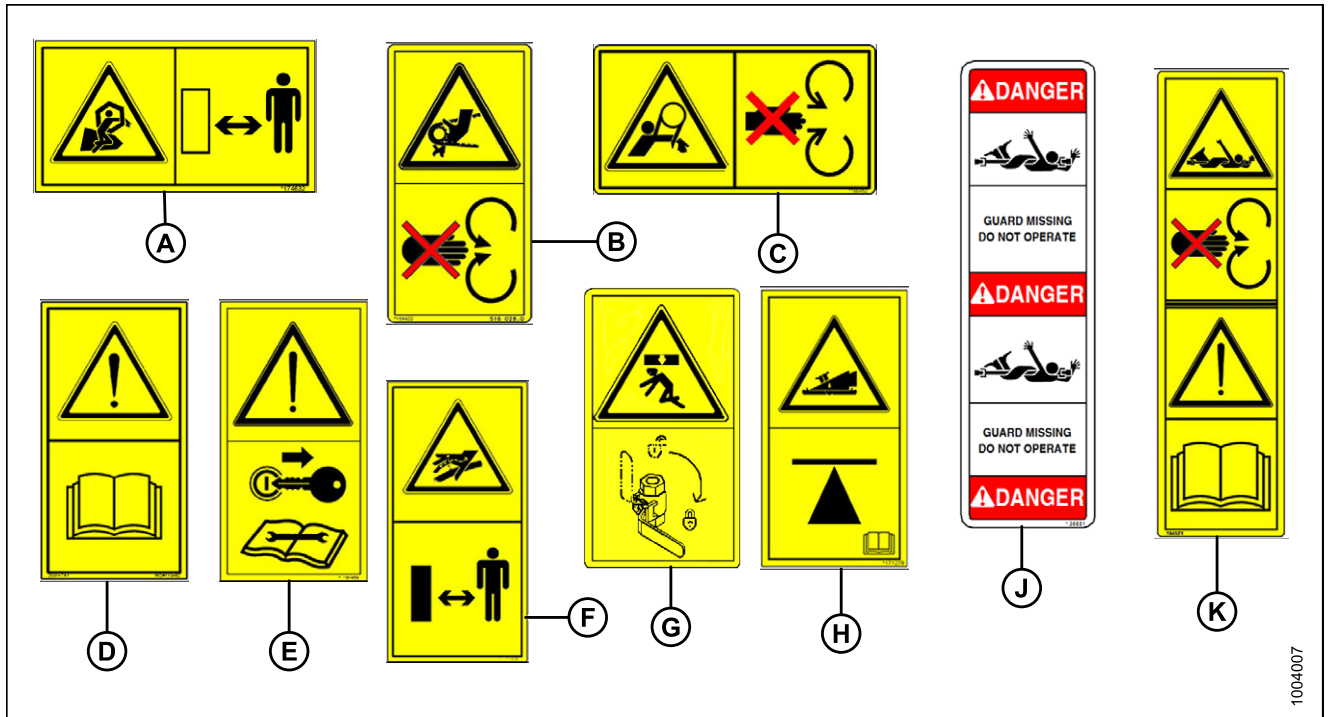


Figure 1.2: Decals on Left Side  
169000\_SUPPLEMENT\_2

# SAFETY

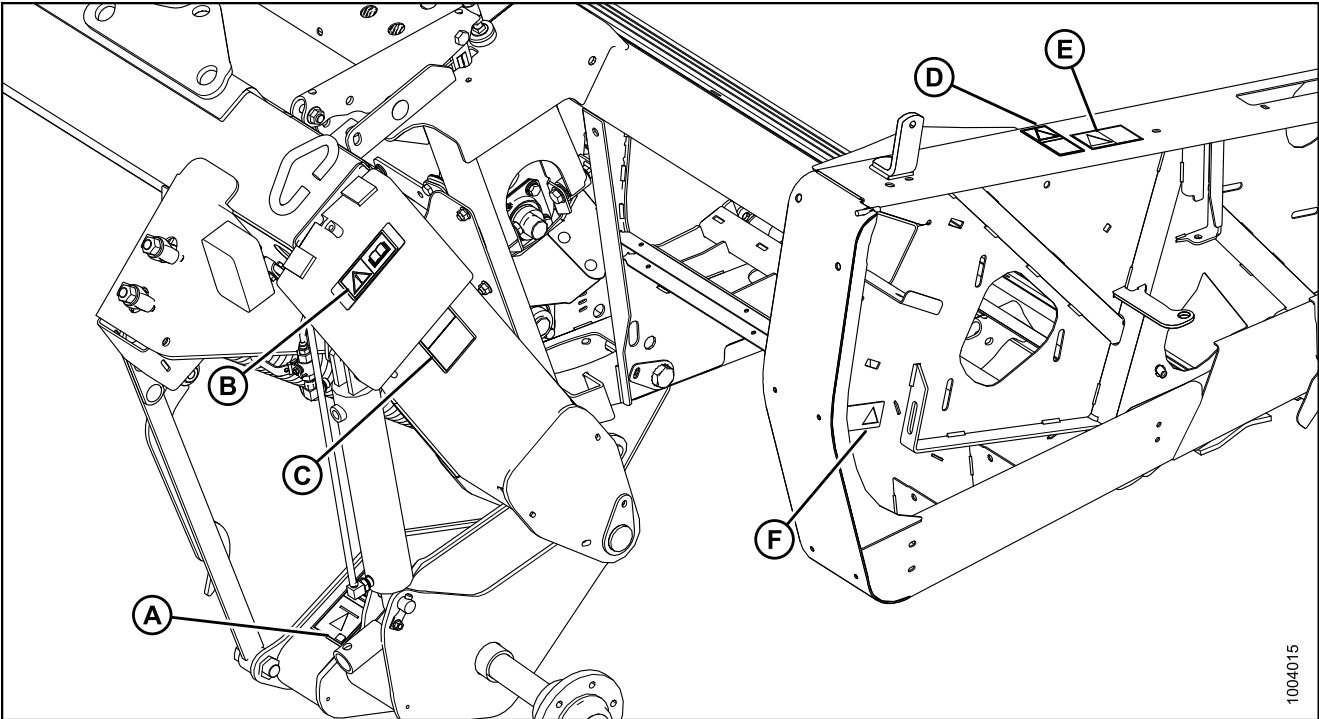


Figure 1.3: Right Side

A - MD #171279  
D - MD #184422

B - MD #184372  
E - MD #174632

C - MD #171287  
F - MD #166452

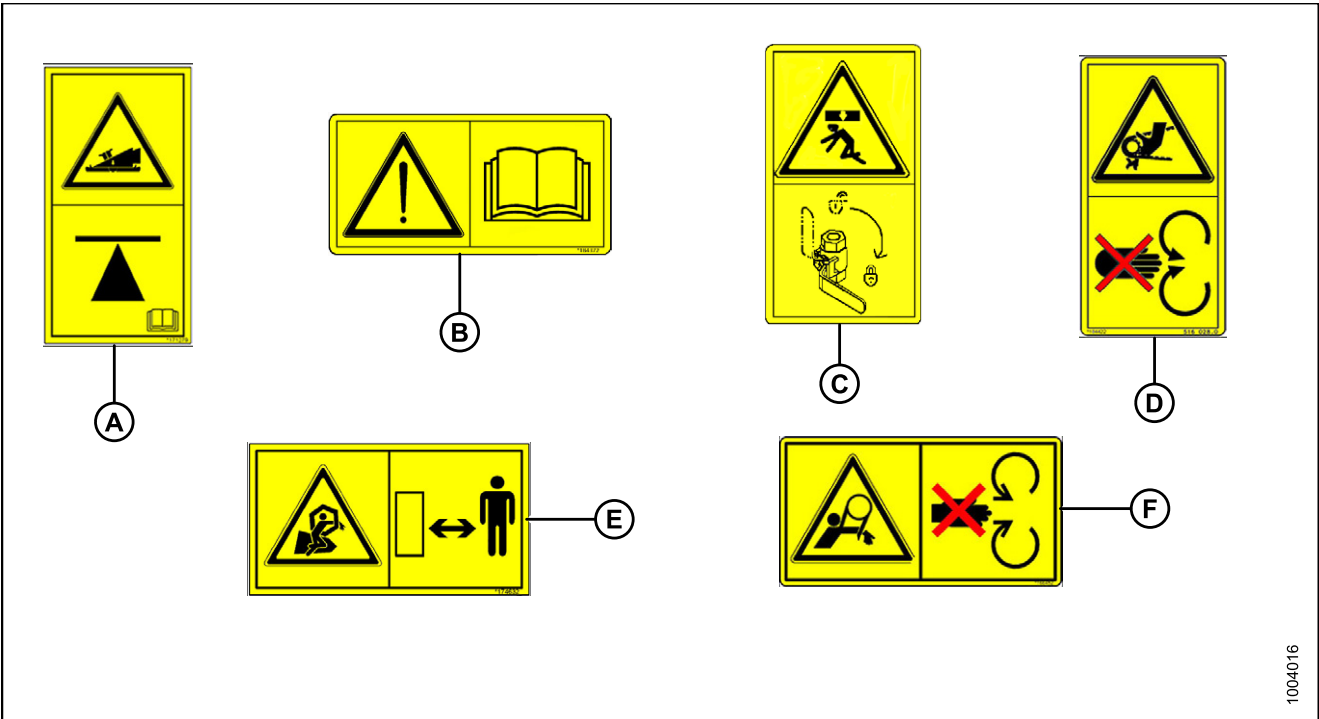
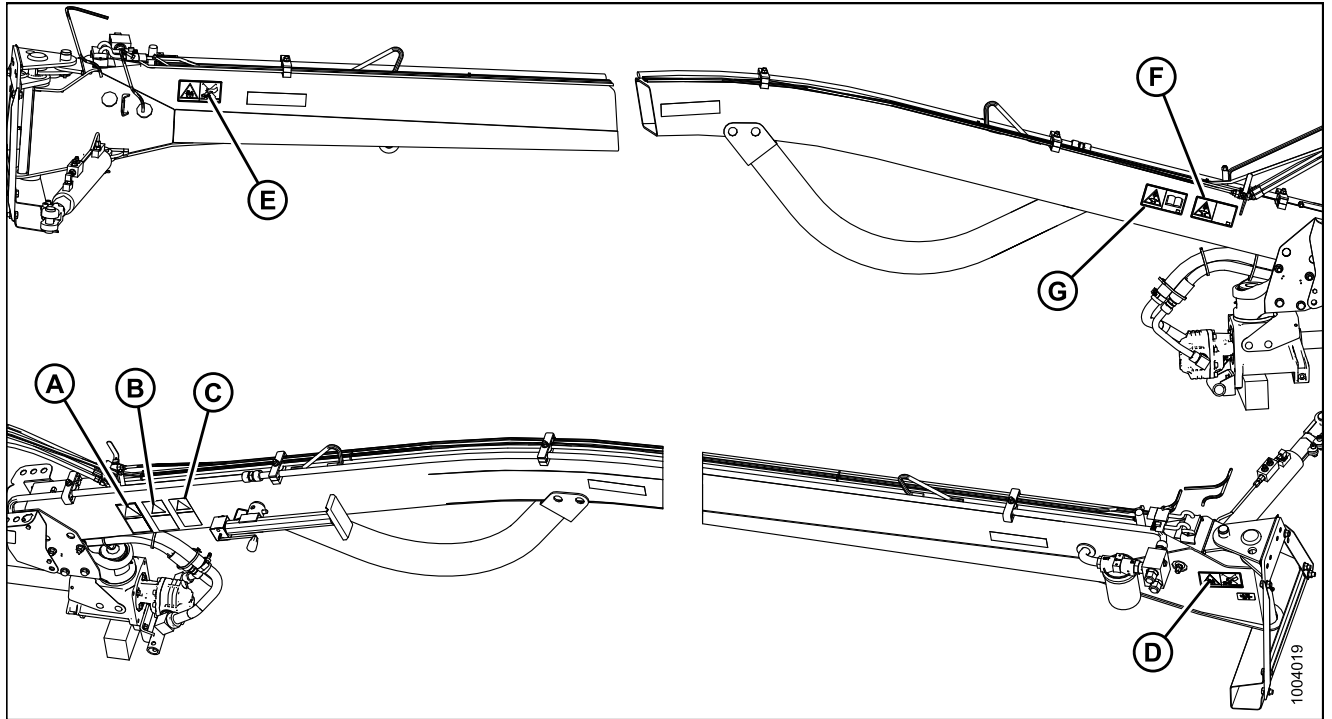


Figure 1.4: Decals on Right Side

# SAFETY

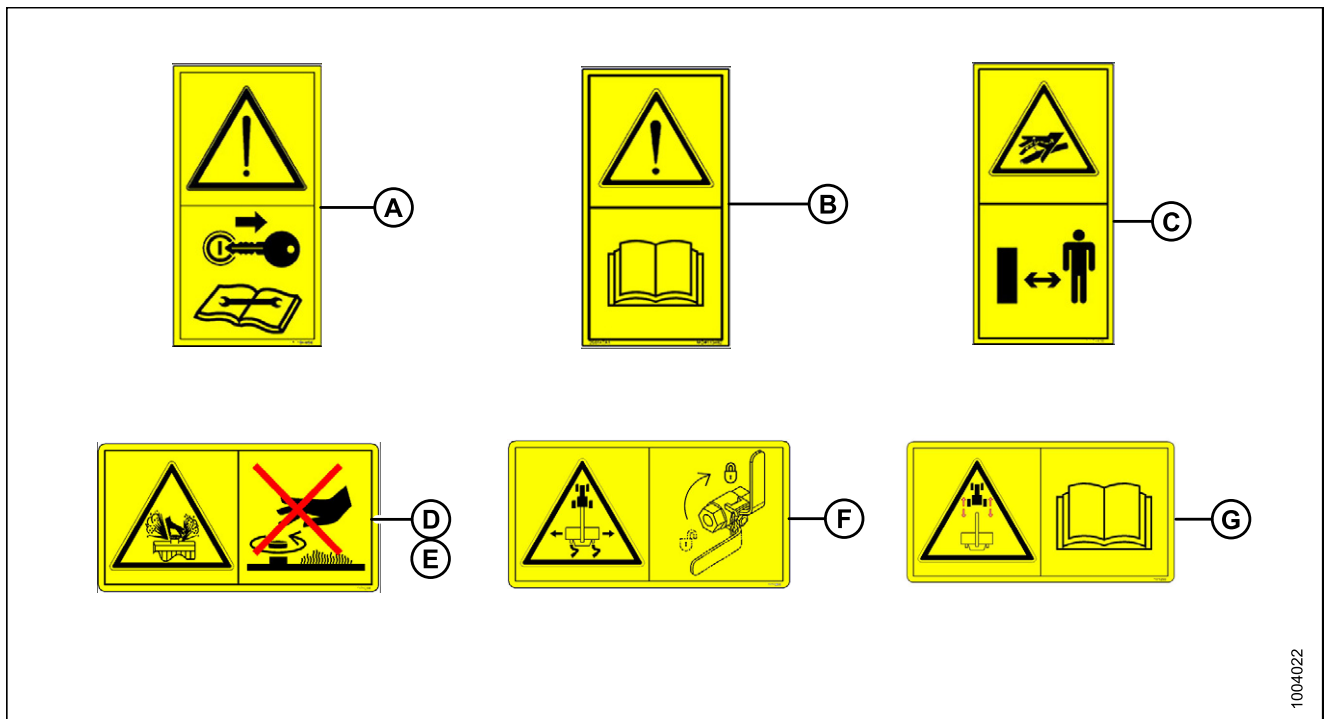


**Figure 1.5: Hitch**

A - MD #194464  
 D - MD #171281  
 G - MD #171298

B - MD #113482  
 E - MD #171281

C - MD #174436  
 F - MD #171286



**Figure 1.6: Decals on Hitch**

## 1.2 Understanding Safety Signs

### MD #36651

Rotating driveline

#### DANGER

- Rotating driveline contact can cause death—**keep away!**

Do not operate without:

- Stopping the engine and removing the key before opening shield.
- All driveline guards, tractor, and equipment shields in place.

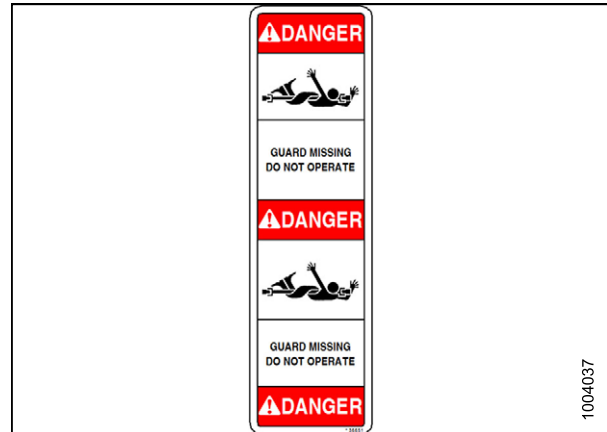


Figure 1.7: MD #36651

### MD #113482

General hazard pertaining to machine operation and servicing

#### CAUTION

To avoid injury or death from improper or unsafe machine operation:

- Read the operator's manual and follow all safety instructions. If you do not have a manual, obtain one from your Dealer.
- Do not allow untrained persons to operate the machine.
- Review safety instructions with all Operators every year.
- Ensure that all safety signs are installed and legible.
- Make certain everyone is clear of machine before starting engine and during operation.
- Keep riders off the machine.
- Keep all shields in place, and stay clear of moving parts.
- Disengage header drive, put transmission in Neutral, and wait for all movement to stop before leaving operator's position.
- Shut down the engine and remove the key from ignition before servicing, adjusting, lubricating, cleaning, or unplugging machine.
- Engage safety props to prevent lowering of header or reel before servicing in the raised position (refer to the header operator's manual).
- Use slow moving vehicle emblem and flashing warning lights when operating on roadways unless prohibited by law.

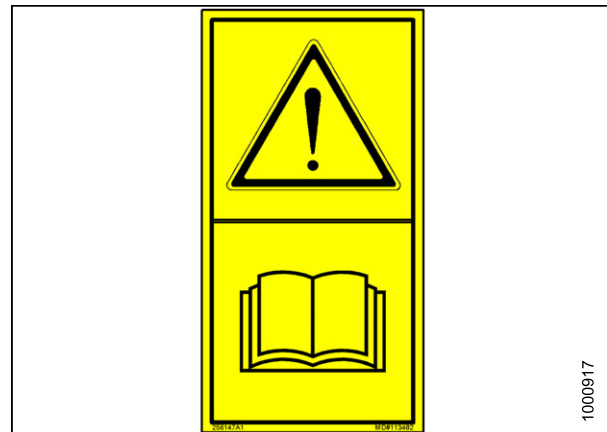


Figure 1.8: MD #113482

## SAFETY

### MD #166452

Pinch point hazard

#### WARNING

- To avoid injury, stop the engine and remove the key before opening engine hood.

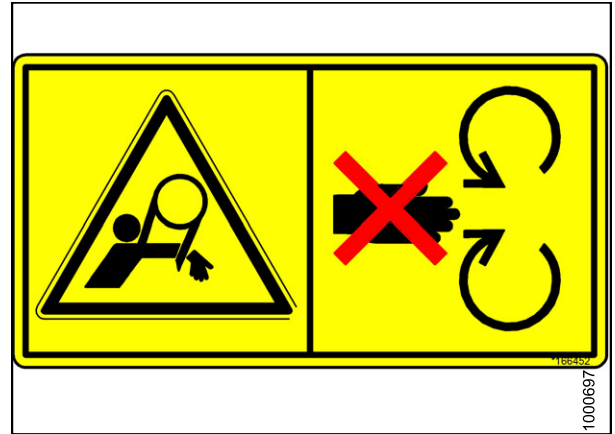


Figure 1.9: MD #166452

### MD #171279

Crushing hazard

#### DANGER

- Read the operator's manual and follow all safety instructions. If you do not have a manual, obtain one from your Dealer.
- Rest header on ground or engage hydraulic lockout valves before going under unit.



Figure 1.10: MD #171279

### MD #171281

Hot fluid under pressure

#### CAUTION

- Coolant is under pressure and may be hot. Never remove radiator cap when engine is hot.



Figure 1.11: MD #171281

## SAFETY

### MD #171286

Lock pull-type hydraulic for transport

#### WARNING

- Charge cylinder with oil before towing.
- Rotate valve handle to lock in transport position.
- Maximum towing speed 20 mph (32 km/h).
- Failure to comply could result in death or serious injury.

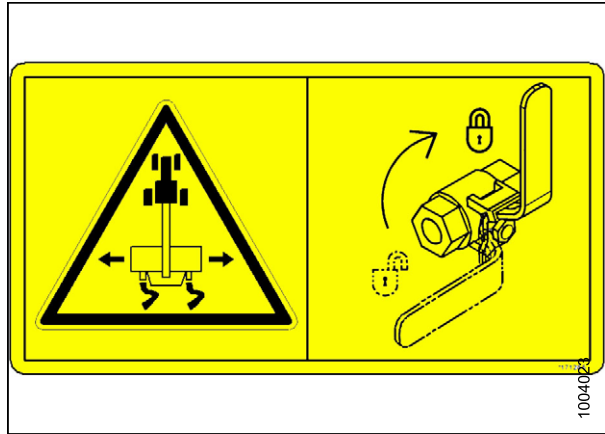


Figure 1.12: MD #171286

### MD #171287

Install lock panel

#### WARNING

- Rotate valve handle to lock before going under unit.
- Failure to comply could result in death or serious injury.



Figure 1.13: MD #171287

### MD #171288

Entanglement hazard

#### CAUTION

- To avoid injury from entanglement with rotating auger, stand clear of header while machine is running.

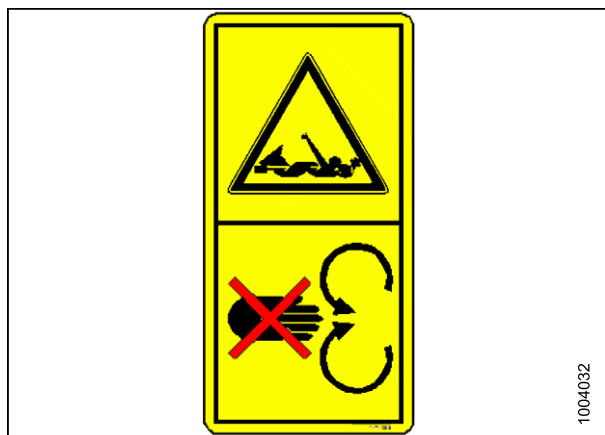


Figure 1.14: MD #171288



## SAFETY

### MD #171298

PT transport lock pin

#### WARNING

- Transport lock pin must be in place before transport.
- Failure to comply could result in death or serious injury.

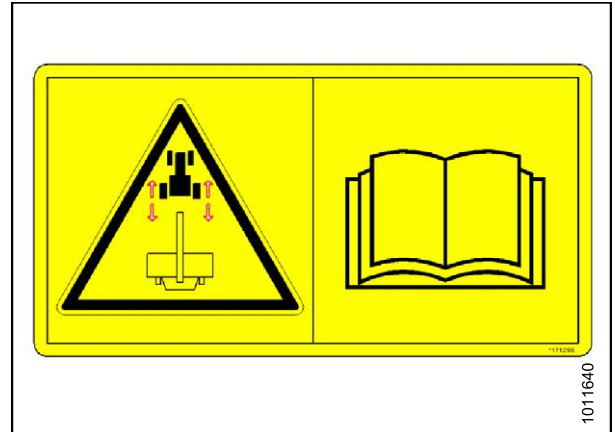


Figure 1.15: MD #171298

### MD #174436

High pressure oil hazard

#### WARNING

- Do not go near leaks
- High pressure oil easily punctures skin causing serious injury, gangrene, or death.
- If injured, seek emergency medical help. Immediate surgery is required to remove oil.
- Do not use finger or skin to check for leaks.
- Lower load or relieve hydraulic pressure before loosening fittings.



Figure 1.16: MD #174436

### MD #174632

Reel entanglement hazard

#### CAUTION

- To avoid injury from entanglement with rotating reel, stand clear of header while machine is running.

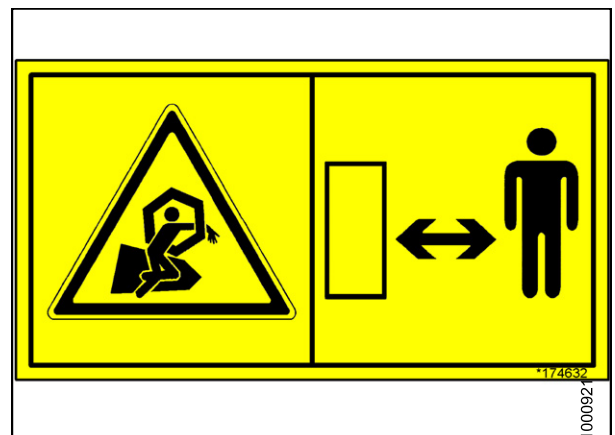


Figure 1.17: MD #174632

## SAFETY

### MD #184372

General hazard pertaining to machine operation and servicing

#### CAUTION

To avoid injury or death from improper or unsafe machine operation:

- Read the operator's manual and follow all safety instructions. If you do not have a manual, obtain one from your Dealer.
- Do not allow untrained persons to operate the machine.
- Review safety instructions with all Operators annually.
- Ensure that all safety signs are installed and legible.
- Make certain everyone is clear of machine before starting engine and during operation.
- Keep riders off the machine.
- Keep all shields in place and stay clear of moving parts.
- Disengage header drive, put transmission in Neutral, and wait for all movement to stop before leaving operator's position.
- Shut off the engine and remove the key from ignition before servicing, adjusting, lubricating, cleaning, or unplugging machine.
- Engage safety props to prevent lowering of raised unit before servicing in the raised position.
- Use slow moving vehicle emblem and flashing warning lights when operating on roadways unless prohibited by law.

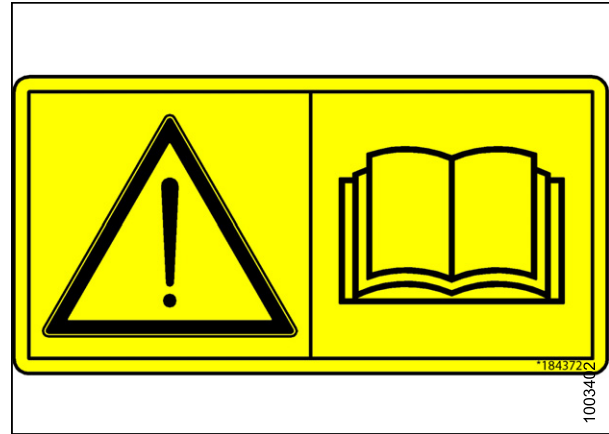


Figure 1.18: MD #184372

### MD #184422

Keep shields in place hazard

#### WARNING

- Do not place foot.
- To avoid injury, stop the engine and remove the key before opening power drive system shield.
- Keep all shields in place.

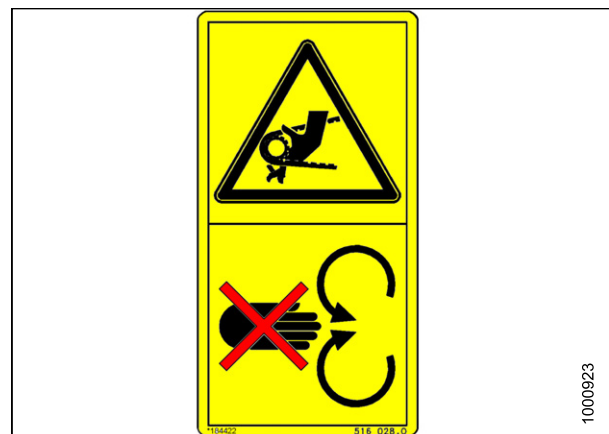


Figure 1.19: MD #184422

## SAFETY

### MD #194464

Shut down for service

#### WARNING

- Remove key from ignition.
- Read tractor and mower manufacturer's manuals for inspection and maintenance instructions.
- Read the windrower and header manuals for inspection and maintenance instructions.

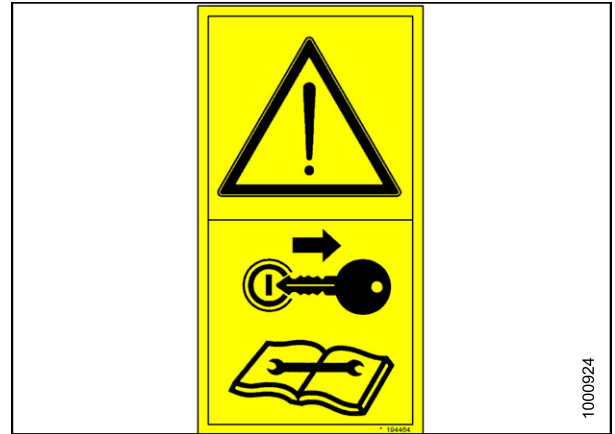


Figure 1.20: MD #194464

### MD #194521

Auger entanglement hazard

#### CAUTION

- To avoid injury from entanglement with rotating auger, stand clear of header while machine is running.

General hazard pertaining to machine operation and servicing

#### CAUTION

- Read the operator's manual and follow safety instructions. If you do not have a manual, obtain one from your Dealer.
- Do not allow untrained persons to operate the machine.
- Review safety instructions with all Operators every year.
- Ensure that all safety signs are installed and legible.
- Make certain everyone is clear of machine before starting engine and during operation.
- Keep riders off the machine.
- Keep all shields in place and stay clear of moving parts.
- Disengage header drive, put transmission in Neutral, and wait for all movement to stop before leaving operator's position.
- Stop the engine and remove the key from ignition before servicing, adjusting, lubricating, cleaning, or unplugging machine.
- Engage locks to prevent lowering of header or reel before servicing in the raised position.
- Use slow moving vehicle emblem and flashing warning lights when operating on roadways unless prohibited by law.

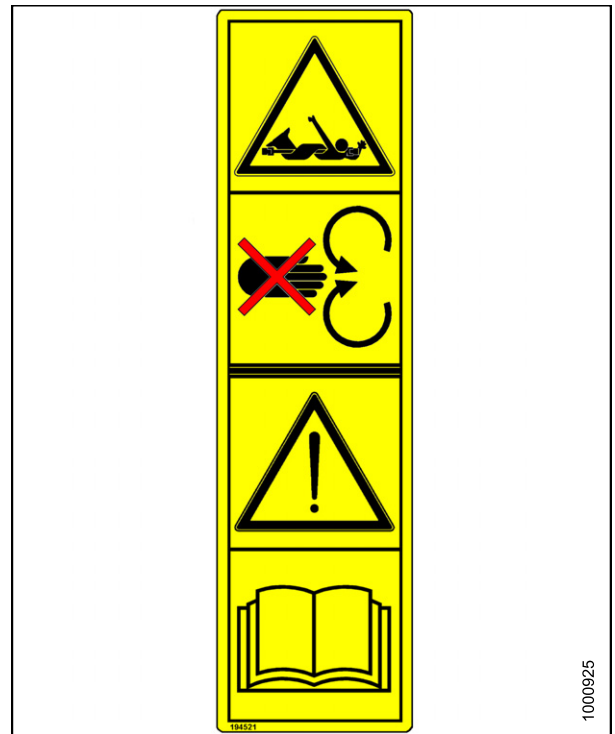


Figure 1.21: MD #194521

## SAFETY

### 1.3 Preparing Mower Conditioner for Transport

Charge the steering circuit as follows:

1. Connect two Articulating Power Tongue (APT) steering cylinder hoses to a tractor hydraulic circuit.
2. Steer header completely to the left, then right. Repeat three or four times.
3. Steer mower conditioner so that it is centered behind the towing vehicle.
4. Close the lock-out valve (A) on the APT.

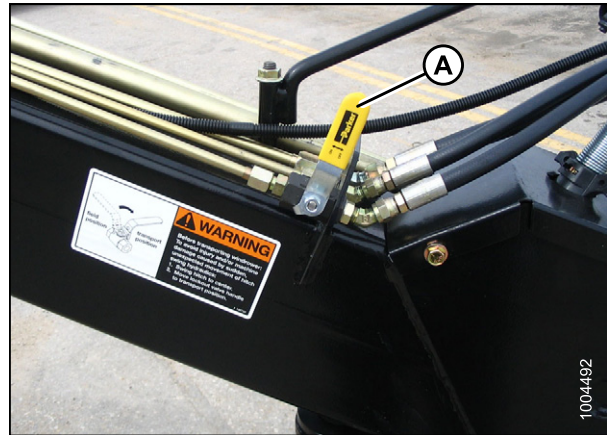


Figure 1.22: Steering Lock-Out Valve

5. Raise header fully, and engage both header lift cylinder lock-out valves (A).

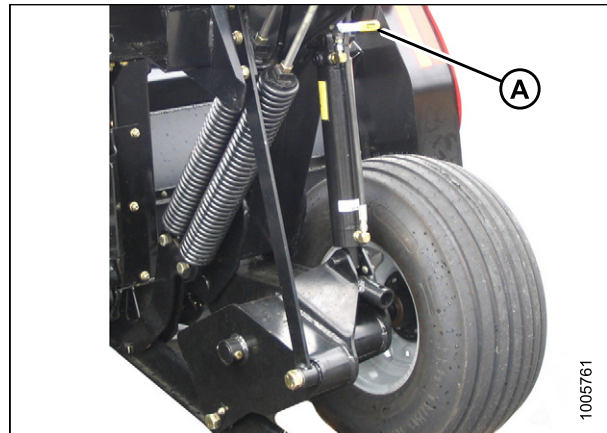


Figure 1.23: Lift Cylinder Lock-Out Valve

#### **WARNING**

Do NOT tow unless the steering cylinder is fully charged. If steering cylinder is not fully charged, loss of control can result in injury or death. Do not tow unless the transport lock pin is in place.

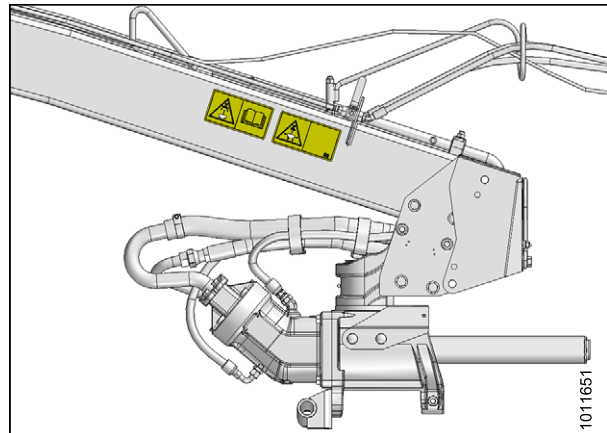


Figure 1.24: Transport Safety Decals

## SAFETY

6. Install the transport pin as follows.
7. Remove pin from storage at aft end of APT.

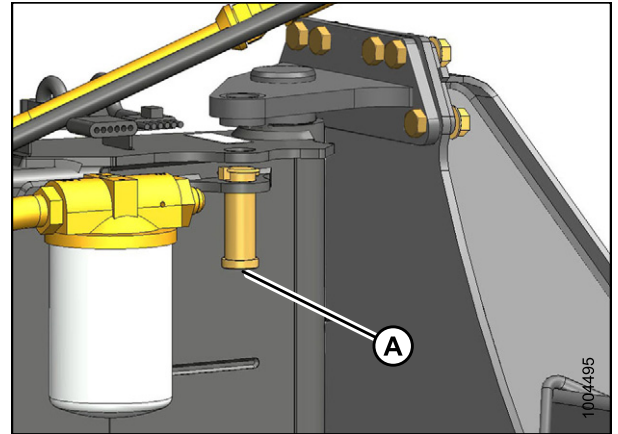


Figure 1.25: Transport Lock Pin

8. Line up holes in APT and frame, and install transport lock pin (A) as shown.
9. Secure with lynch pin (B).

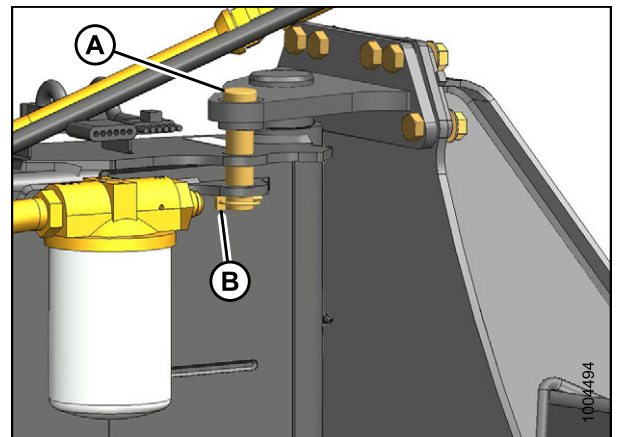


Figure 1.26: Transport Lock Pin

10. Check that jack is properly attached in storage position on APT and secured with pin (B).
11. Keep Slow-Moving Vehicle (SMV) sign, reflectors, and lights clean and visible at rear of mower conditioner.
12. Ensure tires are properly inflated.
13. For towing procedures, refer to one of the following:
  - [Towing Mower Conditioner with a Tractor](#)
  - [Towing Mower Conditioner with a Truck](#)

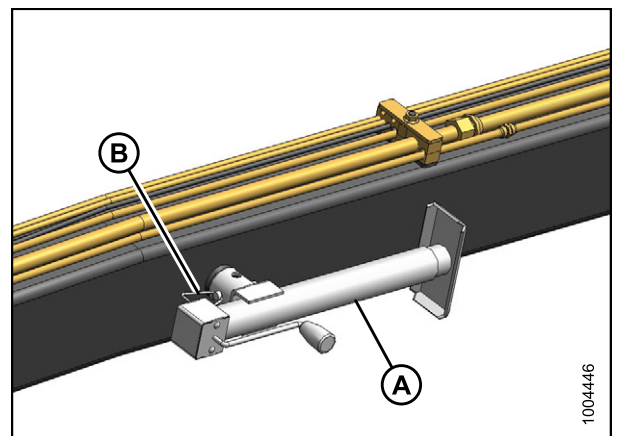


Figure 1.27: APT Jack





**MacDon Industries Ltd.**

680 Moray Street  
Winnipeg, Manitoba  
Canada R3J 3S3  
t. (204) 885-5590  
f. (204) 832-7749

**MacDon, Inc.**

10708 N. Pomona Avenue  
Kansas City, Missouri  
United States 64153-1924  
t. (816) 891-7313  
f. (816) 891-7323

**MacDon Australia Pty. Ltd.**

A.C.N. 079 393 721  
P.O. Box 243, Suite 3, 143 Main Street  
Greensborough, Victoria, Australia 3088  
t. 03 9432 9982  
f. 03 9432 9972

**LLC MacDon Russia Ltd.**

123317 Moscow, Russia  
10 Presnenskaya nab, Block C  
Floor 5, Office No. 534, Regus Business Centre  
t. +7 495 775 6971  
f. +7 495 967 7600

## CUSTOMERS

[MacDon.com](http://MacDon.com)

## DEALERS

[Portal.MacDon.com](http://Portal.MacDon.com)

Trademarks of products are the marks of their  
respective manufacturers and/or distributors.

Printed in Canada