

A30-D and A40-D Pull-Type Mower Conditioner and Self-Propelled Auger Header

Supplement to Operator's Manual

169000_SUPPLEMENT Revision F

Original Instruction

Supplement issued October 24th, 2014

This supplement contains important updates to the information in your A40-D Self-Propelled Auger Header Operator's Manual.

NOTE:

The A30-D Pull-Type Mower Conditioner (which shares the same manual) is **NOT** affected by this supplement.

Use the following pages to replace the information in the A40-D Self-Propelled Auger Header and A30-D Pull-Type Mower Conditioner Operator's Manual, MD #169000 Rev F, Section 6.6.1.1, page 43, Steps o, p, and q.

Hose Routing (A40-D SP Only) 2015

The A40-D Auger Header drive hose routing depends on the windrower model to which the header is being attached.

The header is factory-configured for M150, M155, and M200 Windrowers as shown in Figure 5: [Factory Configuration \(M150, M155, and M200\)](#), page iii. To route hoses for M100, M105, and M205 Windrowers, proceed as follows.

1. Press screwdriver against latch in opening (A) and lift to open header left-hand driveshield. Shield will latch at (B) to stay open.

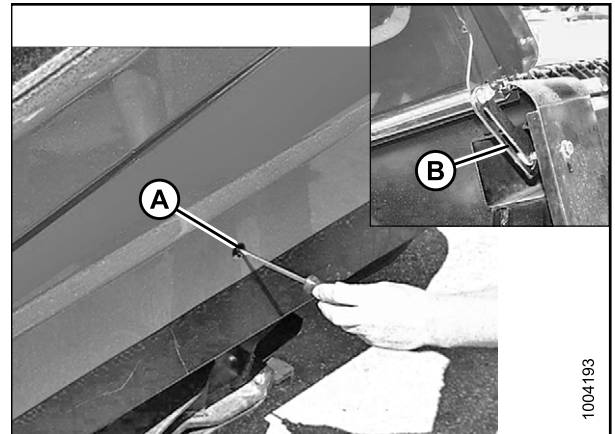


Figure 1: LH Driveshield

2. Disengage rubber latch (A) and open driveline shield (B).

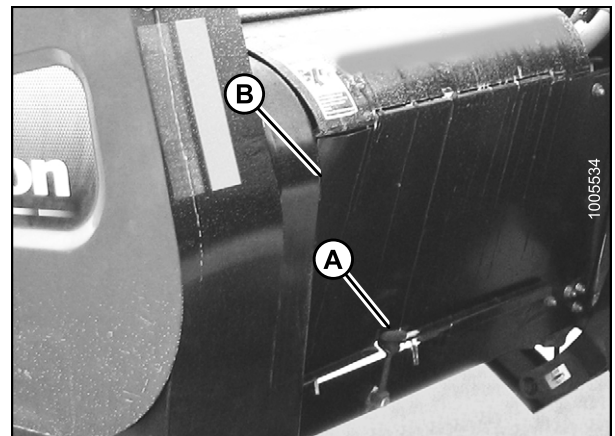


Figure 2: Driveline Shield

3. Loosen bulkhead nut (A) on auger and reel pressure coupler (B). This allows auger and reel pressure hose (C) to rotate freely.

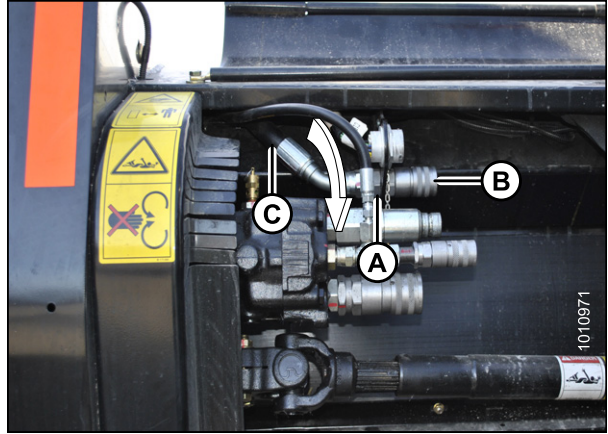


Figure 3: Auger and Reel Pressure Coupler and Hose – 14 Ft. and 16 Ft. Header Shown

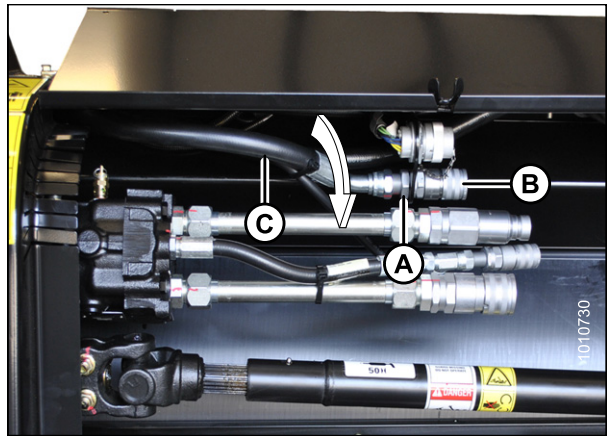


Figure 4: Auger and Reel Pressure Coupler and Hose – 18 Ft. Header Shown

4. Disconnect hoses as follows:
 - a. Disconnect hose (A) at tee (B).
 - b. Disconnect tee (B) at reel motor upper port.
 - c. Disconnect hose (C) at reel motor lower port.
5. Cut cable ties (D) at locations shown in illustration.
6. Reconnect hoses as follows:
 - a. Reroute hose (E) behind hose (A) and (F) to hose (C) and connect tee (B) to lower port fitting.
 - b. Reroute hose (C) above hose (E) and (F) and connect hose (C) to tee (B). Tighten hose (C).
 - c. Loosen 45 degree fittings at both ports. This allows room for wrenches when tightening tee (B) to lower port.
 - d. Connect hose (A) to upper port fitting as shown and check orientation of 45 degree fitting.

NOTE:

Ensure that hose (A) is routed in front of hose (C) and (E).

- e. Confirm orientation of upper port 45 degree fitting, back-off tee (B), and tighten upper port fitting in position determined. Tighten hose (A).
 - f. Check orientation of lower port 45 degree fitting and tighten.
 - g. Connect tee (B) to lower port 45 degree fitting and tighten.
7. Secure hose routing with cable ties (A) as shown.

IMPORTANT:

Ensure that electrical harness (B) and reel motor case drain hose (C) are secured to hose (D) and that there is at least 1 in. (25 mm) clearance between hose bundle (E) and knife drive timing belt (F).

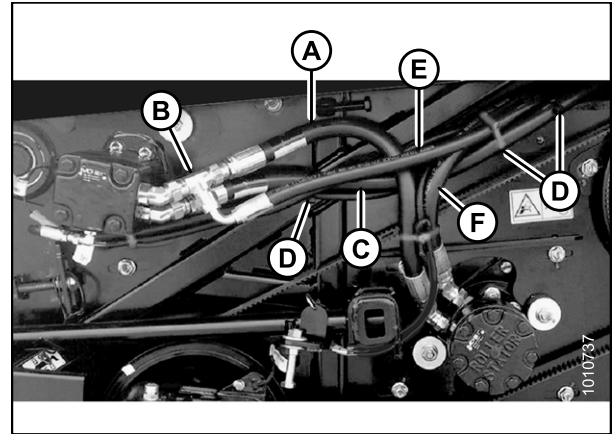


Figure 5: Factory Configuration (M150, M155, and M200)

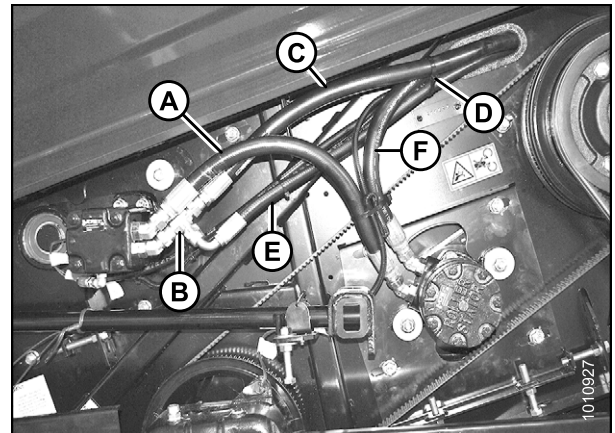


Figure 6: Adjusted Configuration (M100, M105, and M205)

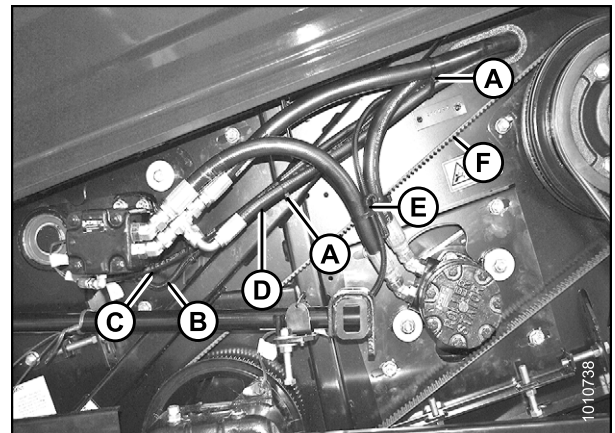


Figure 7: Adjusted Configuration (M100, M105, and M205)

8. Rotate coupler (B) and hose (C) downward as shown until slack has been sufficiently reduced. Tighten bulkhead nut (A).

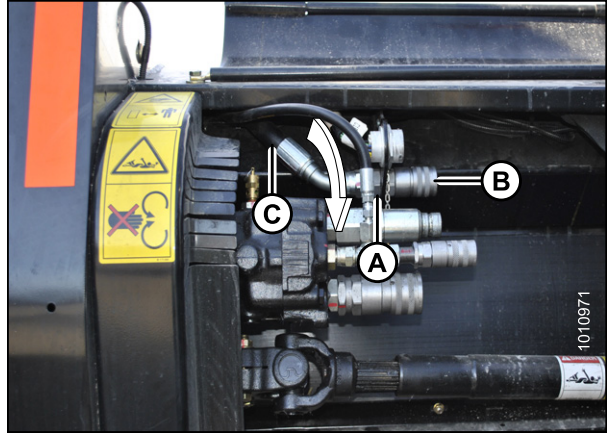


Figure 8: Auger and Reel Pressure Coupler and Hose – 14 Ft. and 16 Ft. Header Shown

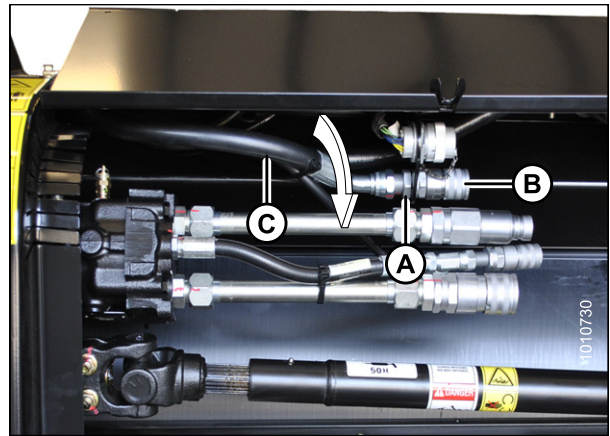


Figure 9: Auger and Reel Pressure Coupler and Hose – 18 Ft. Header Shown

9. Close driveline shield (B) and engage rubber latch (A).
10. Close driveshield before engaging header.

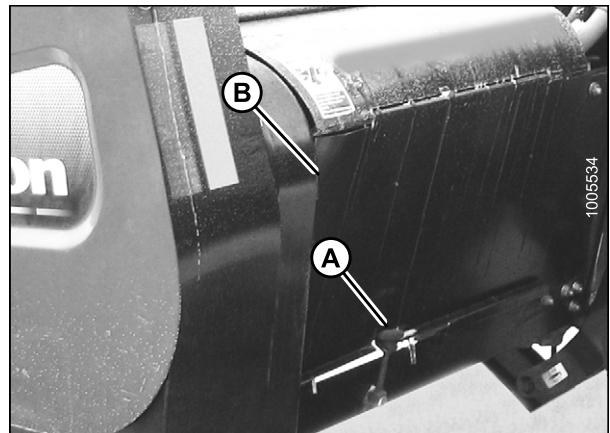


Figure 10: Driveline Shield

MacDon Industries Ltd.

680 Moray Street
Winnipeg, Manitoba
Canada R3J 3S3
t. (204) 885-5590
f. (204) 832-7749

MacDon, Inc.

10708 N. Pomona Avenue
Kansas City, Missouri
United States 64153-1924
t. (816) 891-7313
f. (816) 891-7323

MacDon Australia Pty. Ltd.

A.C.N. 079 393 721
P.O. Box 243, Suite 3, 143 Main Street
Greensborough, Victoria, Australia 3088
t. 03 9432 9982
f. 03 9432 9972

LLC MacDon Russia Ltd.

123317 Moscow, Russia
10 Presnenskaya nab, Block C
Floor 5, Office No. 534, Regus Business Centre
t. +7 495 775 6971
f. +7 495 967 7600

CUSTOMERS

MacDon.com

DEALERS

Portal.MacDon.com

Trademarks of products are the marks of their
respective manufacturers and/or distributors.

Printed in Canada