

**Model 912 / 922
AUGER HEADER and
Model 722
HAY CONDITIONER**

**Model 933
Grass Seed Special
AUGER HEADER**

OPERATOR'S MANUAL

INTRODUCTION

Your new Model 912 or 922 Auger Header and 722 Hay Conditioner, teamed with the MacDon Self Propelled Windrower power unit is designed to cut, condition, and lay in windrows, a wide variety of hay and specialty crops. The Model 933 Grass Seed Special Header is designed specifically for the unique requirements of growers of this crop.

The header, conditioner and power unit provides a package which incorporates many features and improvements in design requested by Owner/Operators like yourself.

NOTE: This manual contains information on the Auger Header and Hay Conditioner. It is to be used in conjunction with the Self-Propelled Windrower Operator's manual, which provides information on the power unit (tractor).

CAREFULLY READ BOTH MANUALS TO BECOME FAMILIAR WITH ALL RECOMMENDED PROCEDURES BEFORE ATTEMPTING TO UNLOAD, ASSEMBLE OR USE THE WINDROWER, OR HEADER.

Use this manual as your first source of information about the machine. If you follow the instructions given in this manual, your Windrower will work well for many years.

The manual contains instruction for "Safety", "Operation" and "Maintenance/Service". In addition, "Unloading and Assembly" information is given towards the back of this book.

Use the Table of Contents and the Index to guide you to specific areas. Study the Table of Contents to familiarize yourself with how the material is organized.

Keep this manual handy for frequent reference and to pass on to new operators or owners. Call your Windrower dealer if you need assistance, information, or additional copies of the manuals.

NOTE: Right hand (R/H) and left hand (L/H) designations are determined from the operator's position, facing forward.



TABLE OF CONTENTS

	PAGE
INTRODUCTION	1
SERIAL NUMBER LOCATIONS	4
SAFETY	
Safety Alert Symbol	5
Signal Words	5
Safety Signs	6
General Farm Safety	7,8
SPECIFICATIONS	
Auger Header and Hay Conditioner	9
Hardware Torque Specifications	10
Hydraulic Fittings Torque Specifications	11
OPERATION	
Your Responsibilities as an Owner/Operator	12
To the New Operator	12
Attaching the Hay Conditioner	13 - 15
Detaching the Hay Conditioner	16,17
Break-In Period	18
Pre-Starting Checks: Annual	19
Pre-Starting Checks: Daily	20
Operate Correctly	20
Header Controls	21
Header Lift Cylinder Stops	21
Operating Variables	22
Lean Bar Position	22
Ground Speed	23
Reel Speed	24
Reel Pick-Up Finger Pitch	25
Cutting Height	26
Skid Shoes	26
Gauge Rollers	26
Header Angle	27
Header Flotation	27
Auger Mounted Crop Deflectors/Stripper Bar Extensions/Short Spare Stripper	28
Hay Conditioner Roll Intermesh	29
Hay Conditioner Roll Tension Springs	30
Auger Feed Pan/Rock Drop Tine Position Relative to Hay Conditioner	30
Hay Conditioner Forming Shields	31,32
Windrow Width	31
Rear Deflector	31
Forming Shield Height	32
Forming Shield Deflector Fins	32
Haying Tips:	33
Topsoil Moisture	33
Climate and Topography	33
Windrow Characteristics	33
Raking and Tedding	33
Chemical Drying Agents	33
"Grass Seed Special" Header	34
Unplugging the Header	35
Hydraulic Conditioner Roll Opener	35
Transporting the Header	36
Lifting the Header in Working Position	36
Storage Procedure	37

TABLE OF CONTENTS

	PAGE
MAINTENANCE/SERVICE	
Service Procedures	38
Recommended Lubricants	39
Enclosed Drive Lubricant Capacities	39
Sealed Bearing Installation	39
Greasing the Header and Hay Conditioner	40 - 43
Sickle and Sickle Drive	
Sickle Lubrication	44
Sickle Sections	44
Sickle Removal	44
Head Needle Bearing Installation	45
Sickle Installation	45
Sickle Storage (Spare Sickle)	45
Standard Sickle Guards and Hold-Downs	46
Stub Guards and Hold-Downs	47
Hold Downs – Cast (Optional)	47
Double Sickle Timing	48
Changing Double Sickle Speed	48
Tightening Double Sickle Drive Belts	49
Tightening Single Sickle Drive Belt	49
Wobble Box Maintenance	50
Reel and Reel Drive	
Reel Position - Fore and Aft	51
Replacing Reel Fingers - 922 & 933 Headers	52
Reel Speed - 912 Header	52
Reel Drive Belt Tension - 912 Header	52
Reel Drive Chain Tension - 922 & 933 Headers	53
Hydraulic Reel Drive - 922 & 933 Headers	53
Auger and Auger Drive	
Auger Position	54
Auger Speed	55
Auger Drive Belt/Chain Tension	55
Hay Conditioner	
Hay Conditioner Roll Timing	56
Hay Conditioner Drive Belt	57
Hay Conditioner Gear Case Lubricant	58
Maintenance Schedule	59
Maintenance Record	60
TROUBLE SHOOTING	61 - 65
ATTACHMENTS	
Tall Crop Kit	66
Gauge Rollers	66
Adjustable Skid Shoes	66
Replacement Reel Bat Kits	67
Stub Guards	67
Conditioned Windrow Side Delivery System	67
Hydraulic Conditioner Roll Opener	67
UNLOADING	68
ASSEMBLY	69 - 79
INDEX	80, 81

SERIAL NUMBER LOCATIONS

Record the serial numbers in the space provided.

Auger Header: _____

Plate is located on top of left-hand end sheet.



AUGER HEADER SERIAL PLATE LOCATION

Hay Conditioner: _____

Plate is located on left side of top sheet.



HAY CONDITIONER SERIAL PLATE LOCATION

NOTE: When ordering parts and service, be sure to give your dealer the complete and proper serial number.

SAFETY

SAFETY ALERT SYMBOL



This safety alert symbol indicates important safety messages in this manual and on safety signs on the header.

This symbol means:

ATTENTION!
BECOME ALERT!
YOUR SAFETY IS INVOLVED!

Carefully read and follow the safety message accompanying this symbol.

Why is SAFETY important to you?

- 3 BIG REASONS
- ACCIDENTS DISABLE AND KILL
 - ACCIDENTS COST
 - ACCIDENTS CAN BE AVOIDED

SIGNAL WORDS

Note the use of the signal words DANGER, WARNING, and CAUTION with safety messages. The appropriate signal word for each message has been selected using the following guidelines:



DANGER – Indicates an imminently hazardous situation that, if not avoided, will result in death or serious injury.



WARNING – Indicates a potentially hazardous situation that, if not avoided, could result in death or serious injury. It is also used to alert against unsafe practices.



CAUTION – Indicates a potentially hazardous situation that, if not avoided, may result in minor or moderate injury. It is also used as a reminder of good safety practices.

SAFETY

SAFETY SIGNS

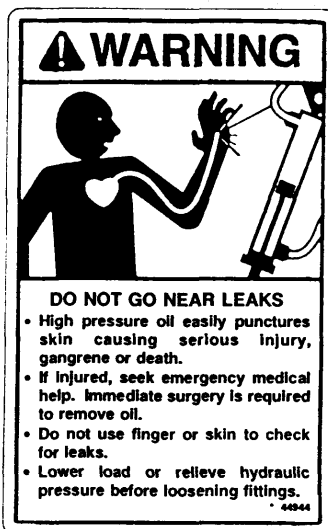
- The safety signs reproduced below appear on the header at the locations listed.
- Keep safety signs clear and legible at all times.
- Replace safety signs that are missing or become illegible.
- If original parts on which a safety sign was installed are replaced, be sure the repair part also bears the current safety sign.
- Safety signs are available from your Dealer Parts Department. The part number is printed in the lower R/H corner of each safety sign.

To install safety signs:

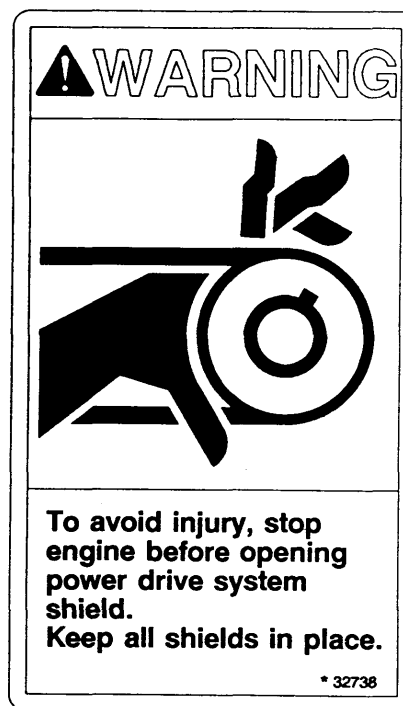
1. Be sure the installation area is clean and dry.
2. Decide on the exact position before you remove the backing paper.
3. Remove the smaller portion of the split backing paper.
4. Place the sign in position and slowly peel back the remaining paper, smoothing the sign as it is applied.
5. Small air pockets can be smoothed out or pricked with a pin.



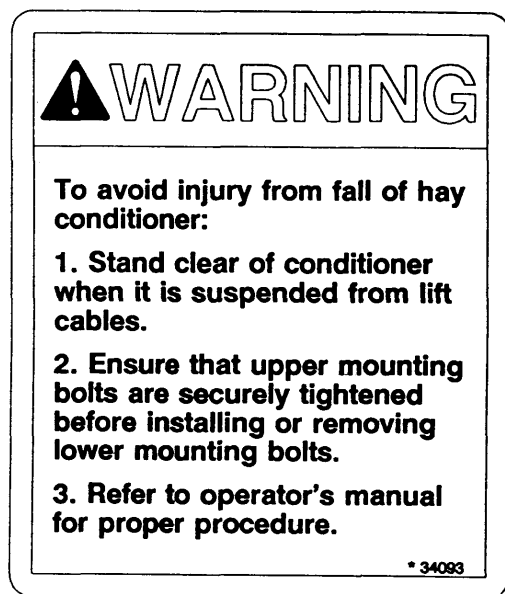
DRIVELINE



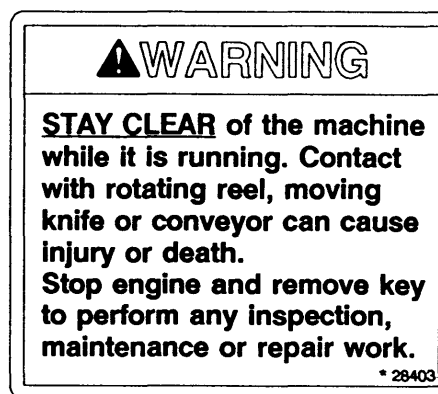
LEFT END SHEET



END SHEETS



CONDITIONER TOP SHEET



LEFT AND RIGHT REEL ENDS

SAFETY

GENERAL SAFETY



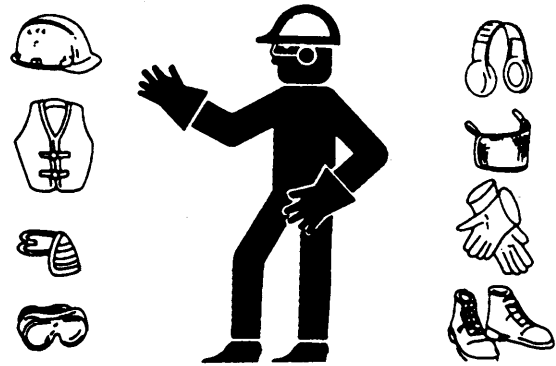
The following are general farm safety precautions that should be part of your operating procedure for all types of machinery.

1. Protect yourself.

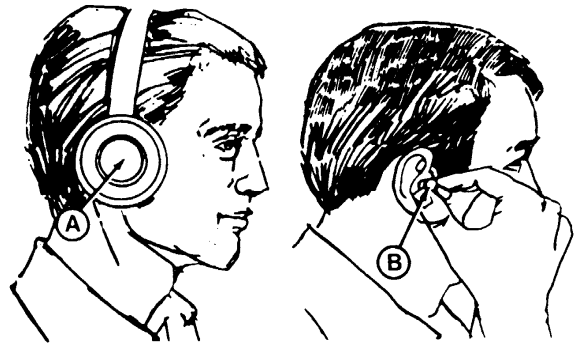
When assembling, operating and servicing machinery wear all the protective clothing and personal safety devices that **COULD** be necessary for the job at hand. Don't take chances.

You may need:

- a hard hat.
- protective shoes with slip resistant soles.
- protective glasses or goggles.
- heavy gloves.
- wet weather gear.
- respirator or filter mask.
- hearing protection. Be aware that prolonged exposure to loud noise can cause impairment or loss of hearing. Wearing a suitable hearing protective device such as earmuffs (A) or earplugs (B) protects against objectionable or loud noises.



PROTECT YOURSELF



PROTECT AGAINST NOISE

2. Provide a first-aid kit for use in case of emergencies.
3. Keep a fire extinguisher on the machine. Be sure the extinguisher is properly maintained and be familiar with its proper use.
4. Keep young children away from machinery at all times.
5. Be aware that accidents often happen when the operator is tired or in a hurry to get finished. Take the time to consider the safest way. Never ignore warning signs of fatigue.



BE PREPARED FOR EMERGENCIES

SAFETY

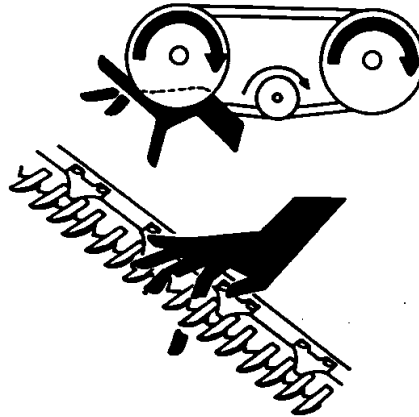


GENERAL SAFETY (continued)

6. Wear close-fitting clothing and cover long hair. Never wear dangling items such as scarves or bracelets.
7. Keep hands, feet, clothing and hair away from moving parts. Never attempt to clear obstructions or objects from a machine while the engine is running.
8. Keep all shields in place. Never alter or remove safety equipment. Make sure driveline guards can rotate independently of the shaft and can telescope freely.
9. Use only service and repair parts made or approved by the equipment manufacturer. Substituted parts may not meet strength, design, or safety requirements.
10. Do not modify the machine. Unauthorized modifications may impair the function and/or safety and affect machine life.
11. Stop engine and remove key from ignition before leaving operator's seat for any reason. A child or even a pet could engage an idling machine.
12. Keep the area used for servicing machinery clean and dry. Wet or oily floors are slippery. Wet spots can be dangerous when working with electrical equipment. Be sure all electrical outlets and tools are properly grounded.
13. Use adequate light for the job at hand.
14. Keep machinery clean. Straw and chaff on a hot engine are a fire hazard. Do not allow oil or grease to accumulate on service platforms, ladders or controls. Clean machines before storage.
15. Never use gasoline, naphtha or any volatile material for cleaning purposes. These materials may be toxic and/or flammable.
16. When storing machinery, cover sharp or extending components to prevent injury from accidental contact.



**NEVER WEAR LOOSE
OR DANGLING CLOTHES**



KEEP AWAY FROM MOVING PARTS



KEEP SERVICE AREA CLEAN AND DRY

SPECIFICATIONS

AUGER HEADERS:

AVAILABLE SIZES	912 Single Sickle Header: 12 ft., 14 ft. 922 Double Sickle Header: 14 ft., 16 ft., 18 ft. 933 Grass Seed Header (Double Sickle): 12 ft., 14 ft.
CUT WIDTHS	12' 3" (3.73 m) / 14' 3" (4.34 m) / 16' 3" (4.95 m) / 18' 3" (5.56 m)
SINGLE SICKLE DRIVE	"C" belt to enclosed oil bath wobble box
DOUBLE SICKLE DRIVE	Timing belts to enclosed oil bath wobble boxes
SINGLE SICKLE SPEED	1450 S.P.M.
DOUBLE SICKLE SPEED	1875* or 1450 S.P.M. (* - factory assembled)
STANDARD SICKLE TYPE	Over-serrated (bolted) sections, double heat-treated guards
GRASS SEED SICKLE TYPE	Fixed lower stub guards, over-serrated (bolted) sections and forged adjustable upper hold-downs
CUTTERBAR RANGE	6 in. (150 mm) below ground to 35.5 in. (900 mm) above ground (measured to guard tip)
GUARD ANGLE	measured with cutterbar on ground:
Tractor models: XX40/XX50	8° to 16° below horizontal
XX52/XX52i c/w shallow angle kit	8° to 16° below horizontal
XX52/XX52i w/o shallow angle kit	11° to 18° below horizontal
DELIVERY OPENING WIDTH	912/922 Header: 60 in. (1524 mm) 933 Grass Seed Header: 68, 59, or 50 in. (1720, 1490, 1260 mm)
AUGER DRIVE	912 Header: "C" belt to chain final drive 922/933 Header: Enclosed gearbox
AUGER SPEED	912 Header: 210 rpm standard, 186 rpm optional 922 Header: 205 rpm standard, 170 rpm optional 933 Grass Seed Header: 12' & 14' = 170 rpm, 16' = 205 rpm
AUGER TYPE	24 in. (610 mm) diameter - center feed
REEL DRIVE	912 Header: "C" belt from auger drive 922/933 Header: Hydraulic to chain final drive
REEL SPEED	912 Header: 71 rpm Standard, 63 or 80 rpm Optional 922 Header: 30 to 75 rpm (variable from cab) 933 Grass Seed Header: 30 to 69 rpm (variable from cab)
REEL TYPE	912/922 Header: 5 Bat (standard) 933 Grass Seed Header: 6 bat standard Pick-up Reel, cam action, replaceable steel fingers
HEADER WEIGHT	12' 912 single sickle - 2435 lbs. (1105 kg) 14' 912 single sickle - 2644 lbs. (1199 kg) 14' 922 double sickle - 2821 lbs. (1280 kg) 16' 922 double sickle - 3114 lbs. (1410 kg) 18' 922 double sickle - 3413 lbs. (1550 kg) 12' 933 Grass Seed double sickle - 2680 lbs. (1220 kg) 14' 933 Grass Seed double sickle - 2900 lbs. (1315 kg) 16' 933 Grass Seed double sickle - 3193 lbs. (1451 kg)

722 HAY CONDITIONER:

TYPE	Crimper - Intermeshing steel rolls, Header mounted
ROLL WIDTH	63.5 in. (1615 mm)
ROLL DIAMETER	8.7" (220 mm)
SPEED	850 rpm
WEIGHT	730 lbs. (330 kg)

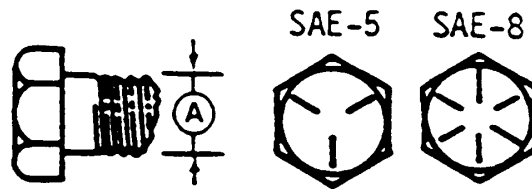
TORQUE SPECIFICATIONS

CHECKING BOLT TORQUE

The tables shown below give correct torque values for various bolts and capscrews. Tighten all bolts to the torques specified in chart unless otherwise noted throughout this manual. Check tightness of bolts periodically, using bolt torque chart as a guide. Replace hardware with the same strength bolt.

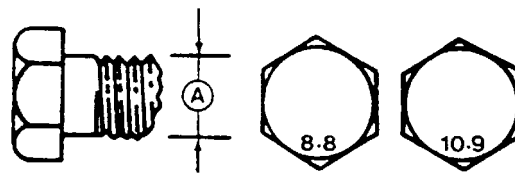
ENGLISH TORQUE SPECIFICATION

Bolt Dia. "A"	NC Bolt Torque*			
	SAE 5		SAE 8	
	N·m	[lb-ft]	N·m	[lb-ft]
1/4"	12	[9]	15	[11]
5/16"	24	[18]	34	[25]
3/8"	43	[32]	56	[41]
7/16"	68	[50]	95	[70]
1/2"	102	[75]	142	[105]
9/16"	149	[110]	202	[149]
5/8"	203	[150]	271	[200]
3/4"	359	[265]	495	[365]
7/8"	569	[420]	813	[600]
1"	867	[640]	1205	[890]



METRIC TORQUE SPECIFICATIONS

Bolt Dia. "A"	Bolt Torque*			
	8.8		10.9	
	N·m	[lb-ft]	N·m	[lb-ft]
M3	0.5	[.4]	1.8	[1.3]
M4	3	[2.2]	4.5	[3.3]
M5	6	[4]	9	[7]
M6	10	[7]	15	[11]
M8	25	[18]	35	[26]
M10	50	[37]	70	[52]
M12	90	[66]	125	[92]
M14	140	[103]	200	[148]
M16	225	[166]	310	[229]
M20	435	[321]	610	[450]
M24	750	[553]	1050	[774]
M30	1495	[1103]	2100	[1550]
M36	2600	[1917]	3675	[2710]



Torque figures indicated above are valid for non-greased or non-oiled threads and heads unless otherwise specified. Do not grease or oil bolts or capscrews unless specified in this manual. When using locking elements, increase torque values by 5%.

* Torque value for bolts and capscrews are identified by their head markings.

TORQUE SPECIFICATIONS

TIGHTENING HYDRAULIC O-RING FITTINGS*

1. Inspect O-ring and seat for dirt or obvious defects.
2. On angle fittings, back the lock nut off until washer bottoms out at top of groove.
3. Hand tighten fitting until back up washer or washer face (if straight fitting) bottoms on face and O-ring is seated.
4. Position angle fittings by unscrewing no more than one turn.
5. Tighten straight fittings to torque shown.
6. Tighten angle fittings to torque shown while holding body of fitting with a wrench.

* The torque values shown are based on lubricated connections as in reassembly.

Thread Size (in.)	Nut Size Across Flats (in.)	Torque Value*		Recommended Turns to Tighten (after finger tightening)	
		N·m	[lb-ft]	Flats	Turns
3/8	1/2	8	[6]	2	1/3
7/16	9/16	12	[9]	2	1/3
1/2	5/8	16	[12]	2	1/3
9/16	11/16	24	[18]	2	1/3
3/4	7/8	46	[34]	2	1/3
7/8	1	62	[46]	1-1/2	1/4
1-1/16	1-1/4	102	[75]	1	1/6
1-3/16	1-3/8	122	[90]	1	1/6
1-5/16	1-1/2	142	[105]	3/4	1/8
1-5/8	1-7/8	190	[140]	3/4	1/8
1-7/8	2-1/8	217	[160]	1/2	1/12

TIGHTENING HYDRAULIC FLARE-TYPE TUBE FITTINGS*

1. Check flare and flare seat for defects that might cause leakage.
2. Align tube with fitting before tightening.
3. Lubricate connection and hand tighten swivel nut until snug.
4. To prevent twisting the tube(s), use two wrenches. Place one wrench on the connector body and with the second tighten the swivel nut to the torque shown.

* The torque values shown are based on lubricated connections as in reassembly.

Tube Size O.D. (in.)	Nut Size Across Flats (in.)	Torque Value*		Recommended Turns to Tighten (after finger tightening)	
		N·m	[lb-ft]	Flats	Turns
3/16	7/16	8	[6]	1	1/6
1/4	9/16	12	[9]	1	1/6
5/16	5/8	16	[12]	1	1/6
3/8	11/16	24	[18]	1	1/6
1/2	7/8	46	[34]	1	1/6
5/8	1	62	[46]	1	1/6
3/4	1-1/4	102	[75]	3/4	1/8
7/8	1-3/8	122	[90]	3/4	1/8

OPERATION

YOUR RESPONSIBILITIES AS AN OWNER/OPERATOR

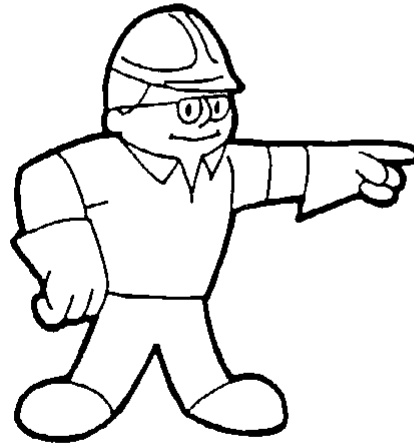


CAUTION:

1. It is your responsibility to read and understand this manual and the Windrower Operator's Manual completely before operating the header. Contact your dealer if an instruction is not clear to you.
2. Follow all safety messages in the manual and on safety signs on the machine.
3. Remember that YOU are the key to safety. Good safety practices protect you and the people around you.
4. Before allowing anyone to operate the machine, for however short a time or distance, make sure they have been instructed in its safe and proper use.
5. Review the manual and all safety related items with all operators annually.
6. Be alert for other operators not using recommended procedures or not following safety precautions. Correct these mistakes immediately, before an accident occurs.
7. Do not modify the machine. Unauthorized modifications may impair the function and/or safety and affect machine life.
8. The safety information given in this manual does not replace safety codes, insurance needs, or laws governing your area. Be sure your machine meets the standards set by these regulations.



READ THE OPERATOR'S MANUAL



FOLLOW SAFETY RULES

TO THE NEW OPERATOR

It's natural for an operator to be anxious to get started with a new machine. Please take the time to familiarize yourself with the header by reading the Operator's Manuals and safety signs before attempting operation.

OPERATION

ATTACHING THE HAY CONDITIONER



WARNING: Avoid possible injury or death from fall of hay conditioner:

- a. Be sure header stand is secure, with L-pin (L) engaged and locked with hairpin. In soft conditions, use a 2 x 4 block under stand.
- b. Stand clear of hay conditioner whenever it is suspended from lift cables only. Keep hands clear of conditioner and header when winching.
- c. Be sure that upper mounting bolts are securely tightened before installing or removing lower mounting bolts. Hay conditioner weighs approximately 730 lbs. (330 kg) and will fall suddenly if lift system becomes disengaged.

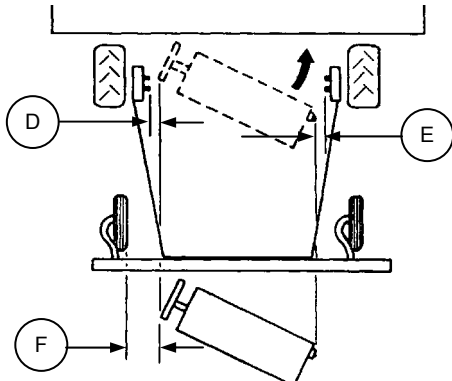
IMPORTANT: For ease of installation, detach header from tractor before attaching hay conditioner to header. See Windrower Tractor or Adapter Operator's Manual.

1. To move conditioner, attach chain hooks to conditioner side frames as shown (or to U-bolt on top sheet if present) and lift with forklift. Position hay conditioner behind header, approximately in center of swath opening. Be sure mounting hardware (A) (5/8 mounting bolt, flatwasher, lockwasher and nut) is in place on both sides.

NOTE: Watch clearance at gear case (B) and L/H header leg (C).

If no means of moving the conditioner is available, use the tractor to position the header as shown below, then detach header from tractor.

- a. Position tractor and header in front of hay conditioner at angle shown below.
- b. Check alignment of hay conditioner with tractor to ensure sufficient clearance at (D), (E) & (F).
- c. Slowly drive tractor straight back so the hay conditioner is positioned as shown by dotted lines.
- d. Detach header from tractor and back away.
- e. Manually rotate right side of hay conditioner so winch cables can be installed.



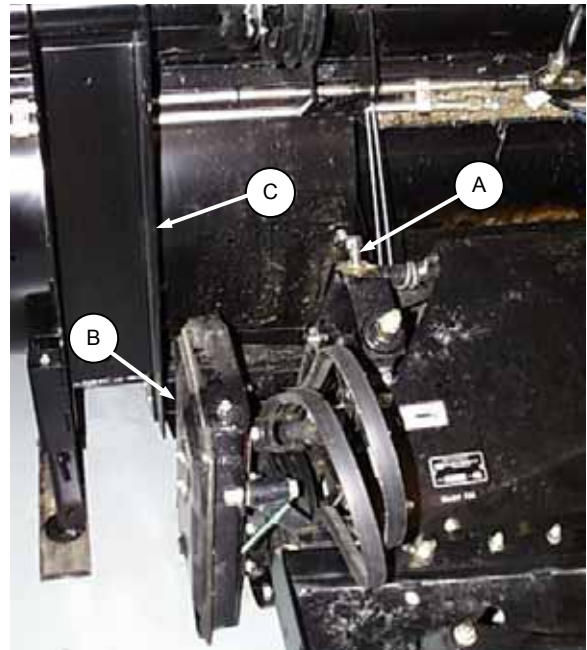
CHECK CLEARANCES IF POSITIONING HEADER WITH TRACTOR



HEADER STAND – LOCKED & SECURE



ATTACH CHAIN AT SIDE FRAMES OR U-BOLT



POSITION HAY CONDITIONER FOR INSTALLATION

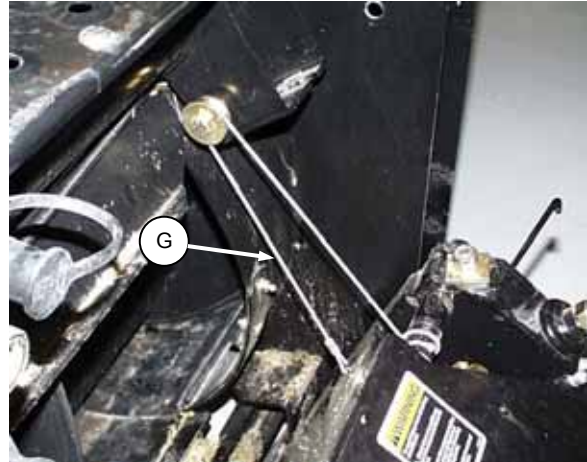
OPERATION

ATTACHING THE HAY CONDITIONER (continued)

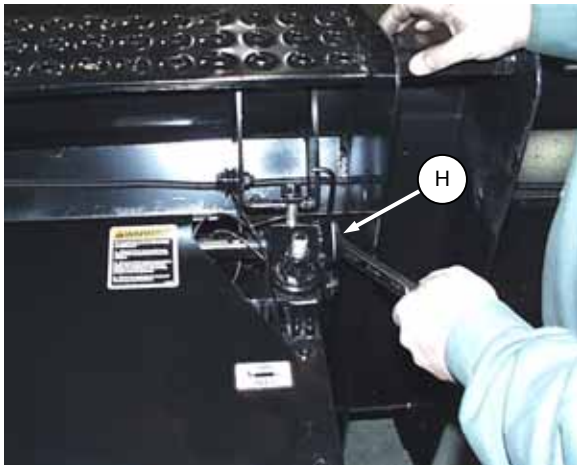
2. Attach winch cables (G) both sides.

NOTE: Ensure cable is correctly routed over pulley as shown, not crossing over.

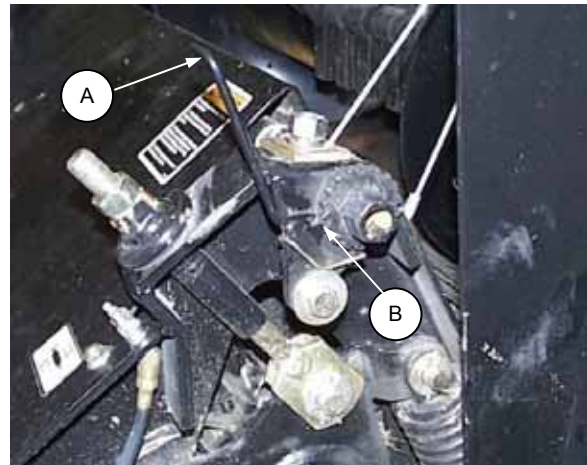
3. Standing clear of the hay conditioner, use a 1-1/8 inch wrench on winch nut (H). Keeping hands clear of conditioner, pull wrench upward to raise the conditioner into position. After each upward pull on wrench, push lever (A) forward to ensure winch pawl engages ratchet wheel at (B).



ATTACH WINCH CABLES

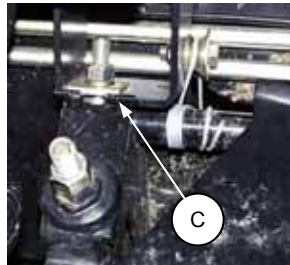


RAISE HAY CONDITIONER WITH WINCH

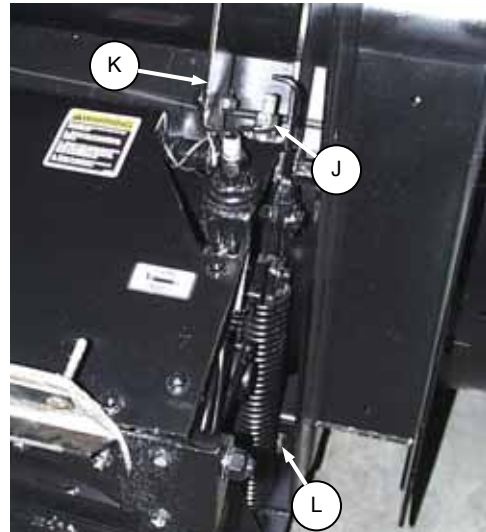


ENSURE WINCH PAWL ENGAGES WHEEL

4. As hay conditioner reaches mounted position, slide top mounting bolts (J) into header mounting brackets (K) with square washer, lock washer and hex nut on top.
NOTE: On left side, be sure square washer is captured behind welded stop (C) on mounting bracket, not resting on top.



5. **TIGHTEN BOLTS (J), BOTH SIDES, SECURELY BEFORE PROCEEDING TO STEP 6.** Use winch to take up any slack in cables once bolts (J) are tight.



INSTALL AND TIGHTEN MOUNTING BOLTS – TOP FIRST

6. Install and tighten lower mounting bolts (L). (5/8 x 1-1/2 carriage bolt [head to rear], flat washer, lock washer and hex nut.

OPERATION

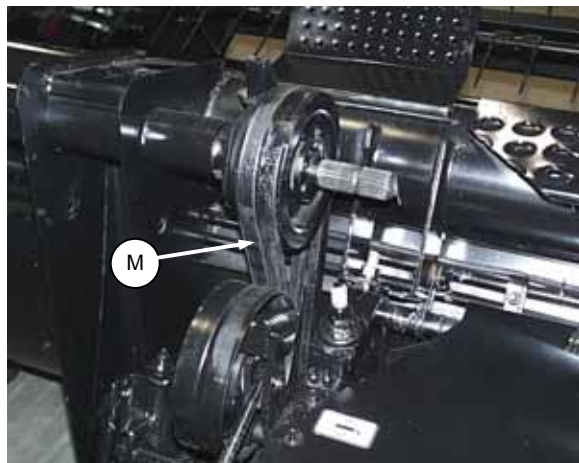
ATTACHING THE HAY CONDITIONER (continued)

7. Install belt over pulley (M) on header drive shaft. *

NOTE: Do not pry belt over pulley. Loosen or remove spring-loaded idler to allow installation. (If idler is removed, take note of hardware positioning for re-assembly.)

- * **IMPORTANT:** Before first use, position drive pulley (M) on shaft to align the belt. See "Attaching the Hay Conditioner" in Assembly section.

8. Adjust belt tension. See "Hay Conditioner Drive Belt" in Maintenance/Service section.



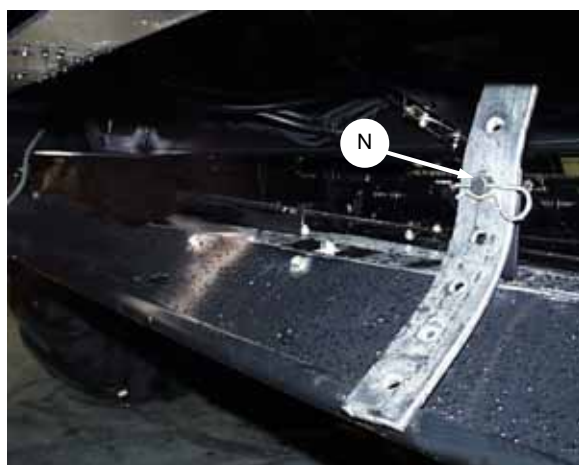
INSTALL BELT AND ADJUST TENSION

9. Attach header to tractor. See Windrower Tractor or Adapter Operator's manual.

10. Attach forming shield rear support straps to lower brackets at (N).

NOTE: See Assembly section for instruction regarding attaching forming shields to conditioner and/or tractor.

11. Adjust header float springs for additional weight. See Windrower Tractor or Adapter Operator's manual.



ATTACH FORMING SHIELD REAR SUPPORTS

OPERATION

DETACHING THE HAY CONDITIONER

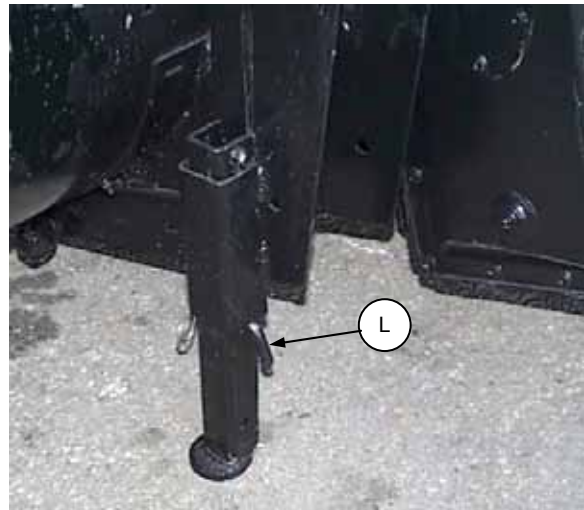
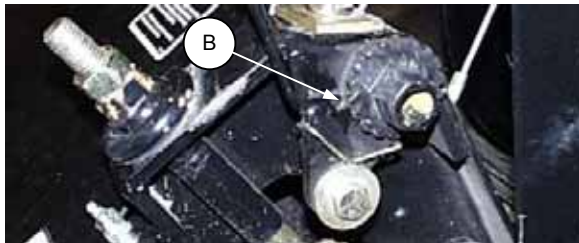
1. For ease of removal, first detach the header from the tractor. See Windrower Tractor or Adapter Operator's Manual.

NOTE: If front of conditioner forming shield is attached to conditioner, remember to detach rear support straps at lower brackets.

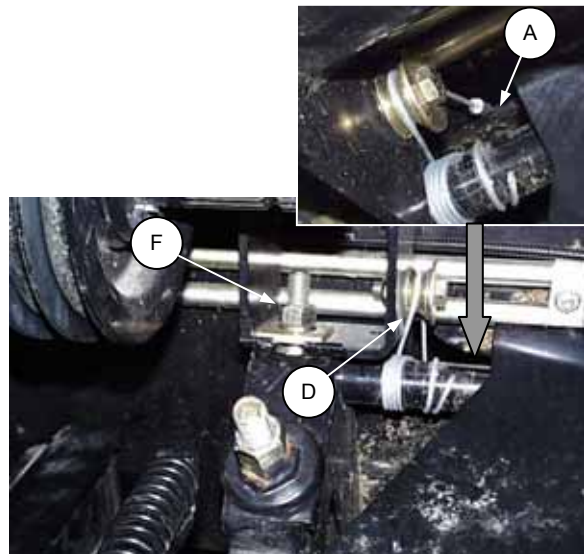


WARNING: Avoid possible injury or death from fall of hay conditioner:

- a. Be sure header stand is secure, with L-pin (L) engaged and locked with hairpin. In soft conditions, use a 2 x 4 block under stand.
- b. Be sure that upper mounting bolts (F) are securely tightened before installing or removing lower mounting bolts.
- c. Check that winch cables are:
 - properly routed over pulleys (D)
 - tightly wrapped around winch tube
 - secured at hook (A) on front face of conditioner
 - If necessary, take up cable slack by pulling up on 1-1/8 inch wrench on winch nut (E).
- d. Check that winch pawl is engaged in ratchet wheel at (B).

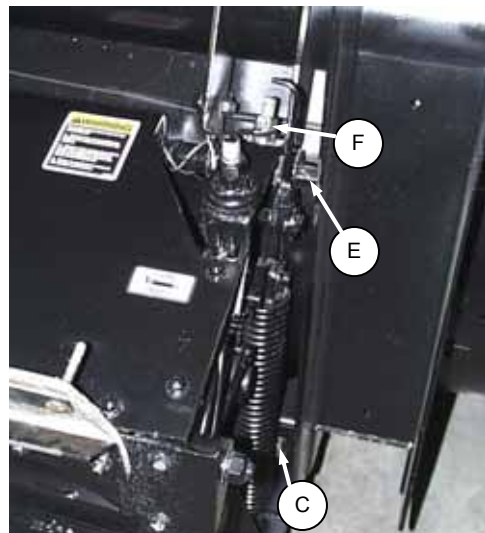


HEADER STAND – LOCKED & SECURE



CABLES TIGHT AND PROPERLY ROUTED & TOP MOUNTING BOLTS TIGHT

- e. Stand clear of hay conditioner whenever it is suspended from lift cables only. Keep hands clear of conditioner and header when winching.
2. Loosen idler adjuster and remove drive belt from header pulley. See "Hay Conditioner Drive Belt" in Maintenance/Service section for adjuster details.
 3. Remove lower conditioner mounting bolts (C).
 4. Standing clear of hay conditioner, loosen and disengage top mounting bolts (F) from brackets on header.

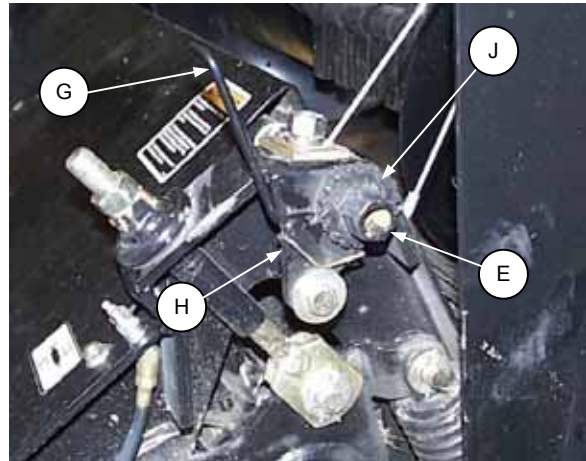


REMOVE MOUNTING BOLTS - LOWER BOLTS FIRST

OPERATION

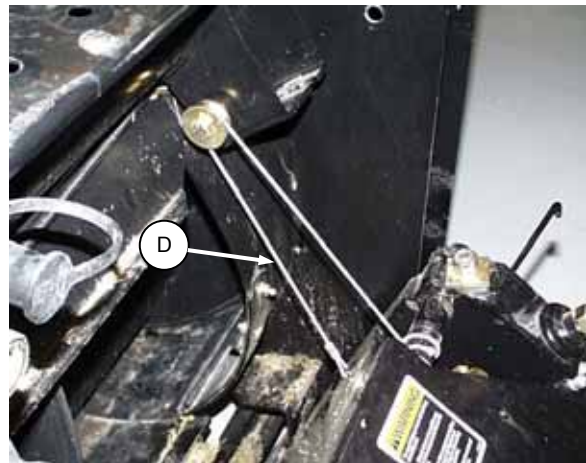
DETACHING THE HAY CONDITIONER (continued)

5. Standing clear of hay conditioner, lower as follows. Use a long wrench and keep hands clear of conditioner and header when winching.
 - a. Position a 1-1/8 wrench on winch nut (E) and pull firmly up. Pull lever (G) back to disengage winch pawl (H) from ratchet wheel (J).
 - b. Turn winch nut (E) down as far as possible and push lever (G) forward, ensuring winch pawl (H) engages ratchet wheel (J).
 - c. Remove and reposition the wrench on the winch nut and repeat steps 5a and 5b until the conditioner is on the ground and winch cables (D) are slack.



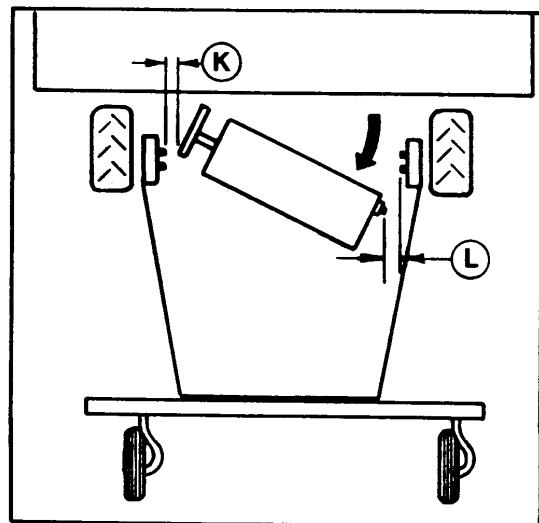
LOWER CONDITIONER WITH WINCH

6. Detach winch cables (D) from pulleys on header.



DETACH WINCH CABLES

7. When attaching header to tractor:
If no means of moving the conditioner away from the header is available, manually rotate right side of hay conditioner as shown to maximize clearance. Be sure that there is sufficient clearance to hydraulic lines at (K) and (L).



ROTATE CONDITIONER FOR CLEARANCE IF ATTACHING HEADER TO TRACTOR

OPERATION

BREAK-IN PERIOD

1. After attaching header to windrower tractor for the first time, operate the machine slowly for 5 minutes, watching and listening FROM THE OPERATOR'S SEAT for binding or interfering parts.

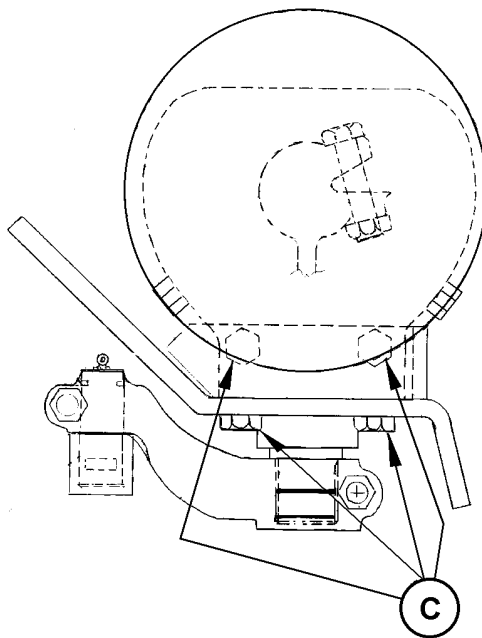


CAUTION: Before investigating an unusual sound or attempting to correct a problem; shut off engine, engage park brake and remove key.

2. Check all belts after 5 hours operation for initial stretch. Tighten as necessary. (See Maintenance/Service section.

Continue to check the belts periodically for the first 50 hours.

3. Tighten any loose hardware after 5 hours operation. See Specifications section for recommended torque's.
4. Tighten the bottom and side wobble box mounting bolts (C) after 10 hours operation and every 100 hours thereafter. Torque to 200 ft.lbs. (270 N·m), starting with the side mounting bolts.
5. Change wobble box lubricant after 50 hours operation and every 1000 hours (or 3 years) thereafter. See Maintenance/Service section.
6. Until you become familiar with the sound and feel of your new header, be extra alert and attentive.



TIGHTEN WOBBLE BOX MOUNTING BOLTS

OPERATION

PRE-STARTING CHECKS

Do the following at the start of each operating season.



CAUTION:

- 1. Review the Operator's Manual to refresh your memory on safety and operating recommendations.**
- 2. Review all safety signs and other decals on the machine and note hazard areas.**
- 3. Be sure all shields and guards are properly installed and secured. Never alter or remove safety equipment.**
- 4. Reacquaint yourself with the controls before beginning operation.**

Also:

5. Adjust tension on all belts and chains. See Maintenance/Service section.
6. Perform all annual maintenance. See Maintenance/Service section.

OPERATION

PRE-STARTING CHECKS

Do the following each day before start-up:



CAUTION:

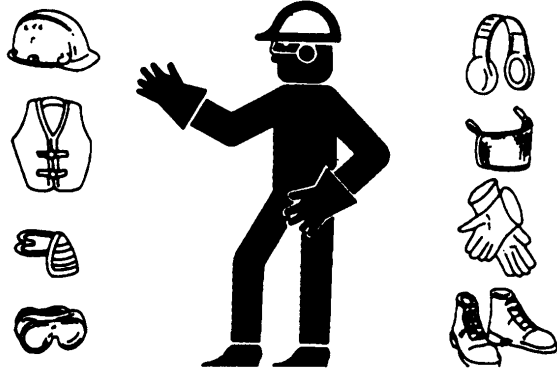
1. Clear the area of other persons, pets, etc. Keep children away from machinery. Walk around the header to be sure no one is under, on or close to it.
2. Remove foreign objects from the machine and surrounding area.
3. Wear close fitting clothing and protective shoes with slip resistant soles.

As well, carry with you any protective clothing and personal safety devices that COULD be necessary through the day. Don't take chances.

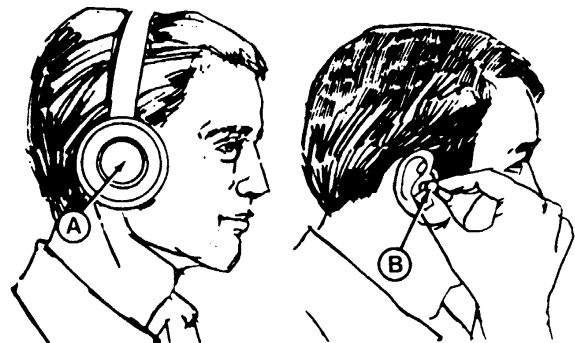
You may need:

- a hard hat
- protective glasses or goggles
- heavy gloves
- respirator or filter mask
- wet weather gear

4. Protect against noise. Wear suitable hearing protective devices such as (A) earmuffs or ear plugs (B) to protect against objectionable or uncomfortable loud noise.
5. Check the machine for leaks or any parts that are missing, broken, or not working correctly. Use proper procedure when searching for pressurized fluid leaks. See "Hydraulic Reel Drive" in Maintenance/Service section.
6. Clean lights and reflectors on the header.
7. Perform all daily maintenance. See Maintenance/Service section.



PROTECT YOURSELF



PROTECT AGAINST NOISE

OPERATE CORRECTLY

IMPORTANT: See Windrower Operator's Manual for information on the following:

Start-Up Procedure
Driving the Windrower
Stopping Procedure

OPERATION

HEADER CONTROLS



CAUTION: Be sure all bystanders are clear of machine before starting windrower or engaging any header drives.

See the Windrower Tractor Operator's Manual for identification of in-cab controls for:

- Header Drive Clutch
- Header Height
- Ground Speed
- Reel Speed
- Hydraulic Conditioner Roll Opener (Option)

HEADER LIFT CYLINDER STOPS



DANGER: To avoid bodily injury or death from fall of raised header, always engage cylinder stops before going under header for any reason.

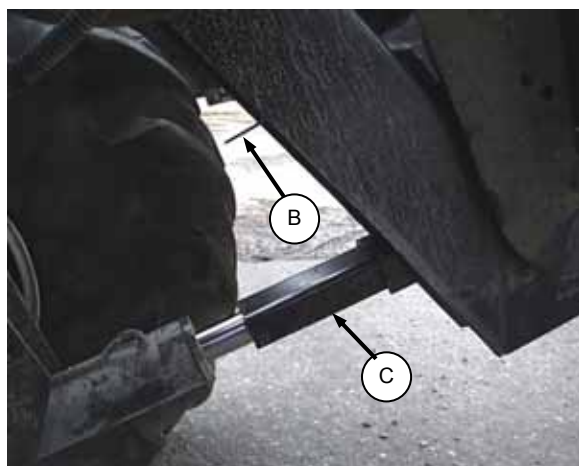
Cylinder stops are located on both header lift cylinders on windrower.

To engage cylinder stops:

1. Press top of header height switch (A) to raise header to maximum height.
2. Lift retainer (B) up to release cylinder stop (C). Lower stop onto cylinder.
3. To store, push up on stop (C) until retainer locks in storage position.



HEADER HEIGHT SWITCH



LIFT CYLINDER STOP - ENGAGED



LIFT CYLINDER STOP - STORAGE

OPERATION

OPERATING VARIABLES

Satisfactory function of the header and hay conditioner in all situations requires making proper adjustments to suit various crops and conditions.

Correct operation reduces crop loss and allows cutting of more acres. As well, proper adjustments and timely maintenance will increase the length of service you receive from the machine.

The variables listed here and detailed on the following pages will affect the performance of the header and conditioner. You will quickly become adept at adjusting the machine to give you the desired results.

AUGER HEADER

1. Lean Bar Position
2. Ground Speed
3. Reel Speed
4. Reel Pick-Up Finger Pitch
5. Cutting Height
6. Header Angle
7. Header Flotation
8. Auger Mounted Crop Deflectors

HAY CONDITIONER

9. Roll Intermesh
10. Roll Tension
11. Feed Pan Position
12. Forming Shields

OPERATING VARIABLES

LEAN BAR POSITION

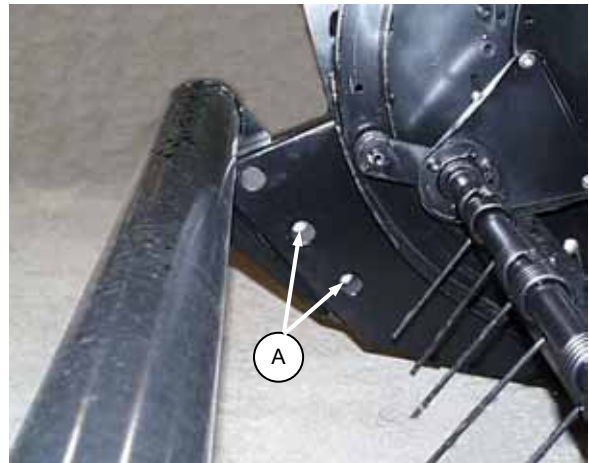
IMPORTANT: To prevent structural damage to header, do not operate with lean bar removed.

Use the lean bar adjustment to accommodate different crop heights.

The lean bar should strike the upper portion of crop, leaning it away from the header and exposing the stalks to the sickle.

To raise or lower lean bar, re-position hardware (A) in adjustment holes as required.

NOTE: In very tall crops, to prevent pinning of crop around lean bar, extensions are available. See "Tall Crop Kit" in Attachments section.



LEAN BAR ADJUSTMENT

OPERATION

GROUND SPEED

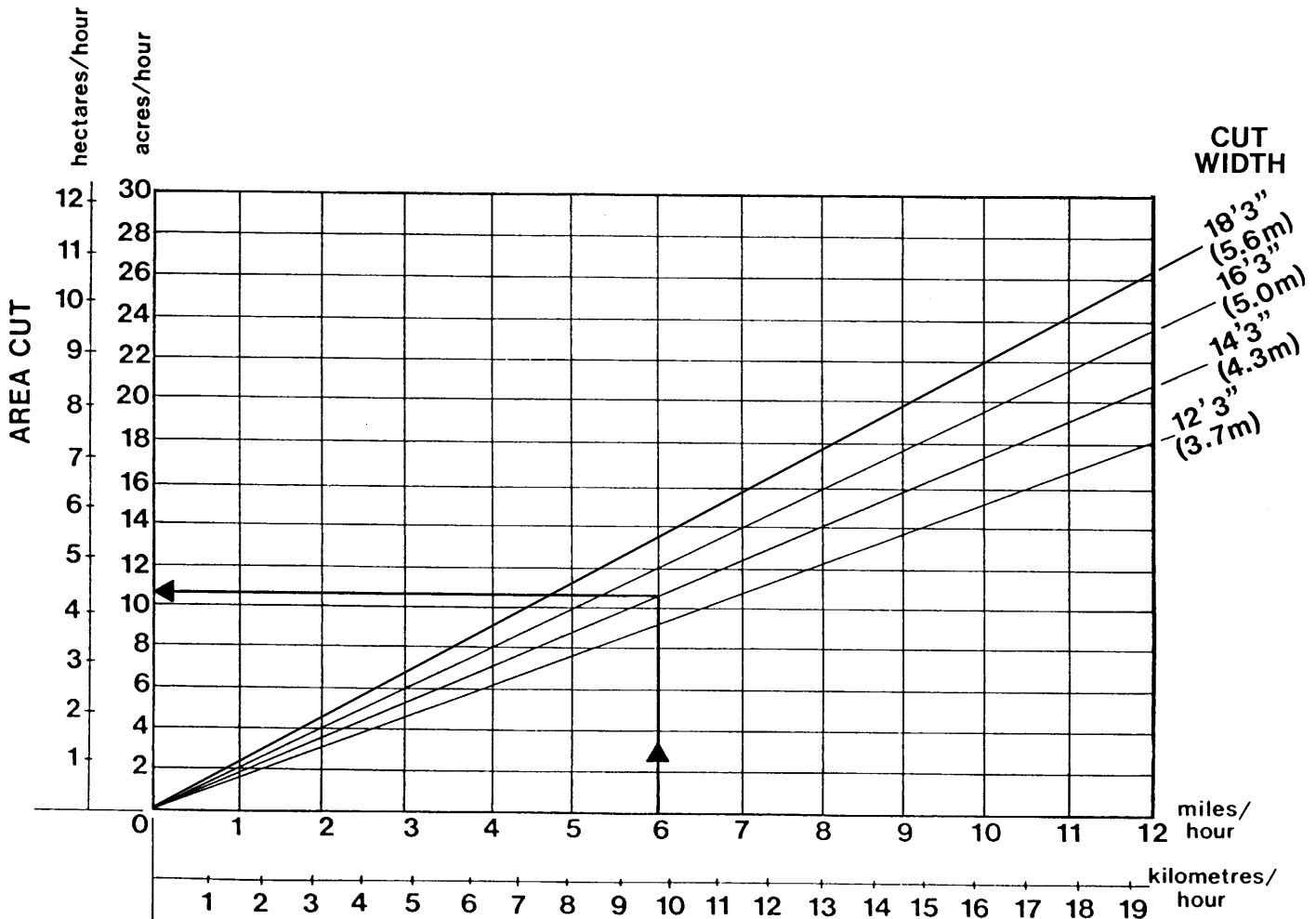
Ground speed of windrower should be such that sickle can cut crop smoothly and cleanly.

See Windrower Tractor Operator's Manual for identification and instructions for use of ground speed control.

The chart below indicates the relationship between ground speed and area cut for the three auger header sizes.

Example shown: At a ground speed of 6 miles per hour (9.7 km/h) with a 14 ft. header*, the area cut per hour would be 10-1/2 to 11 acres (4-1/4 to 4-1/2 hectares).

- * A 14 ft. header has a cut width of 14 ft. 3 in. (4.3 m)
- A 12 ft. header has a cut width of 12 ft. 3 in. (3.7 m)
- A 16 ft. header has a cut width of 16 ft. 3 in. (5.0 m)
- An 18 ft. header has a cut width of 18 ft. 3 in. (5.6 m)



OPERATION

REEL SPEED

For best feeding of crop into the sickle and auger, reel speed should be just faster than ground speed. This gently sweeps crop across sickle into auger. Excessive reel speed causes undue wear of reel components and unnecessary load on reel drive, resulting in uneven reel motion.

922 and 933 Headers

See Windrower Tractor Operator's Manual for identification and instructions for use of reel speed control in cab.

NOTE: Both speed control knobs on tractor console are used to adjust reel speed.

912 Header

See "Reel and Reel Drive" in Maintenance/Service section for instructions regarding changing reel speed.

OPERATION

REEL PICK-UP FINGER PITCH

Another factor in effective feeding of crop into the sickle and auger is finger pitch angle (the angle the fingers operate at in relation to the ground).

NOTE: In the illustration at right, pitch angle (A) is more aggressive than pitch angle (B).

Generally it should not be necessary to adjust the finger pitch angle, however in certain crop types and conditions adjustment of the finger pitch may be required to achieve best results.

The pitch should be just aggressive enough to provide adequate crop lifting action for proper cutting.

Pitch angle can be adjusted by rotating the cam.

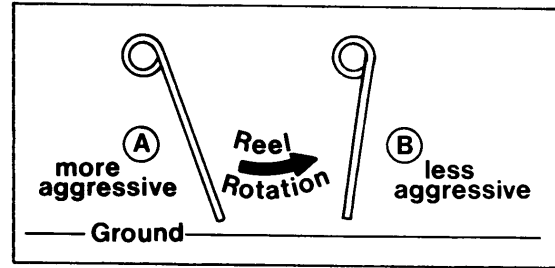
Rotating the cam forward (higher in the back), results in a more aggressive pitch angle.

Rotating the cam rearward (higher in the front), results in a less aggressive pitch angle.

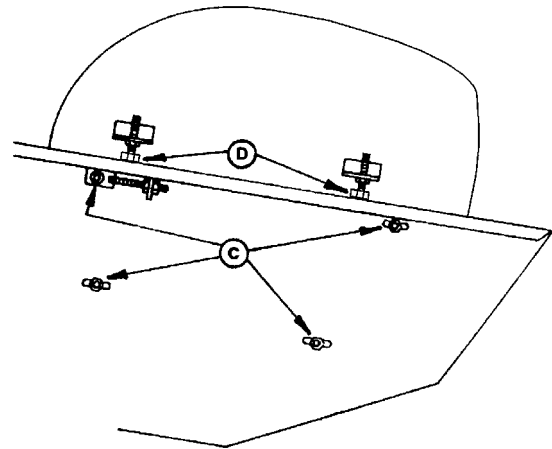
To adjust cam position:

1. Loosen four bolts (C), both ends of reel.
2. Turn bolts (D) at cam end to move cam up or down at front or rear until desired position is obtained.
3. Tighten four bolts (C), both ends, to secure reel position.
4. Rotate reel slowly by hand and check finger clearance at knife and pan. **Flex fingers to simulate crop-loaded position to ensure fingertip clearances to knife sections and auger pan** are adequate for working conditions.
5. If necessary, adjust reel fore-aft position to achieve proper clearances. See Maintenance/Service section.

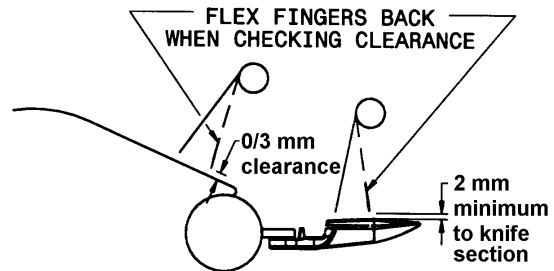
NOTE: For optimum header performance in all crops, position the reel so that finger tips are as close as possible to knife sections and auger pan without interfering. Some contact between finger tips and knife guards is acceptable. Rotate tines in direction of crop load, to check for minimum clearance as tines pass over guards and pan.



FINGER PITCH ANGLE



FINGER PITCH ADJUSTMENT



CHECK TINE CLEARANCE

OPERATION

CUTTING HEIGHT

Your header will be equipped with either:

- wide adjustable outer skid shoes, or
- gauge rollers plus narrower skid shoes.

Vary the cutting height by adjusting either skid shoe or gauge roller position. The operator can then lower the header to the ground, allowing the shoes or rollers to provide a consistent cutting height.

NOTE: Lowering the skid shoes or gauge rollers raises the cutting height. (Gauge rollers allow higher settings than skid shoes.) This may be desirable in stony conditions, to reduce damage to cutting components. Other benefits include reduced plugging due to mud or dirt build-up and longer stubble for faster drying.



WARNING: To avoid bodily injury or death from unexpected start-up or fall of raised header; stop engine, remove key and engage header lift cylinder stops before going under header to adjust skid shoes or gauge rollers (or for any reason).



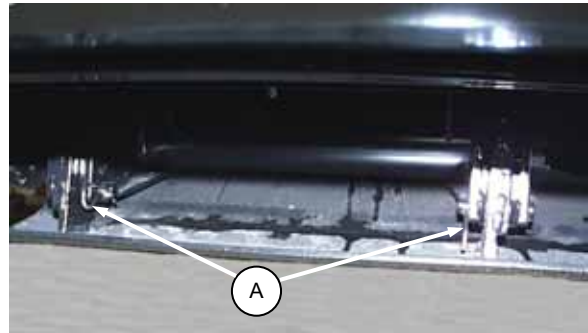
LIFT CYLINDER STOP - ENGAGED

Skid Shoes

The right and left end skid shoes are adjustable up and down.

To adjust:

1. Remove pins (A), two per shoe.
2. Move shoe up or down to desired position and replace pins (A).

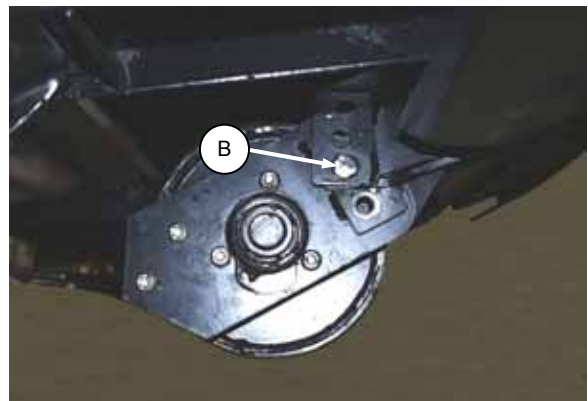


SKID SHOE ADJUSTMENT

Gauge Rollers

To adjust gauge roller height:

1. Remove pins (B), two per wheel.
2. Move roller to desired position and replace pins (B).



GAUGE ROLLER ADJUSTMENT

OPERATION

HEADER ANGLE

The header (or guard) angle is adjustable in the following range depending on tractor model (measured with cutterbar on ground):

Tractor models: XX40/XX50	8° to 16° below horizontal
XX52/XX52i c/w shallow angle kit	8° to 16° below horizontal
XX52/XX52i w/o shallow angle kit	11° to 18° below horizontal

Header angle is adjusted by lengthening or shortening the tractor lift linkage center link. Choose an angle that maximizes performance for your crop and field conditions.

IMPORTANT: A flatter header angle is recommended for normal conditions. A flatter angle reduces sickle section breakage and reduces soil build-up at the cutterbar and/or auger pans in wet conditions or where ground is uneven (gopher mounds, etc.).

Use a steeper angle to cut very close to the ground, or for better lifting action of down crops.

See Windrower Tractor Operator's Manual for adjustment procedure.

HEADER FLOTATION

As a starting point for normal conditions, adjust float spring tension so that 75 - 85 lbs. force (335 to 380 N) is required to lift cutterbar off ground at each end.

Benefits of lighter float settings:

1. Less cutting component breakage in rough or stony conditions.
2. Avoids soil build-up at the cutterbar and/or auger pans in wet conditions or where ground is uneven (gopher mounds, etc.).

Benefits of heavier float settings:

1. When cutting very close to the ground, enables cutterbar to closely follow ground contours.

Header float weight changes if lift linkage center link length is changed. Float weight also varies through first few inches of header lift cylinder extension. Check header float weight after selecting a center link length and with header lift cylinders fully retracted. Readjust header float springs if necessary to obtain desired float. See Windrower Tractor Operator's Manual for adjustment procedure.

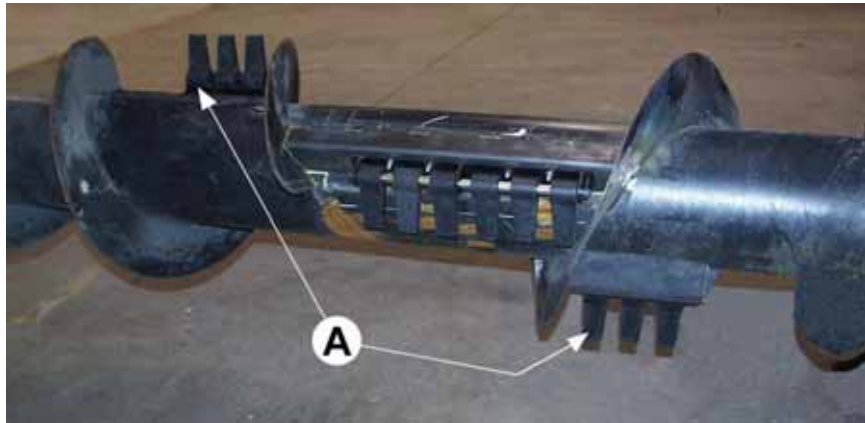
OPERATION

AUGER MOUNTED CROP DEFLECTORS/STRIPPERS & STRIPPER BAR EXTENSIONS: 912 & 922 HEADERS

Four rubber finger assemblies are mounted to the auger to direct crop rearward to the hay conditioner such that material is evenly distributed across the full width of the conditioner. If too much “end feeding” of conditioner rolls is occurring, remove two outboard rubber finger assemblies (A).

If too much “Center Feeding” of conditioner rolls is occurring, the following may be necessary:

1. Install flighting-mounted deflectors (B). Deflectors are stored under platform at (C). Depending on crop conditions, install one or two deflectors at each side of delivery opening.
2. Replace full-length front “L” angle strippers with 1/2 length front “C” channel strippers. These 1/2 length strippers are stored on underside of pan at (D). On-header storage of full length front strippers is not provided.
3. Remove center stripper extensions (E) on center stripper bars at each side of delivery opening.



AUGER MOUNTED CROP DEFLECTORS



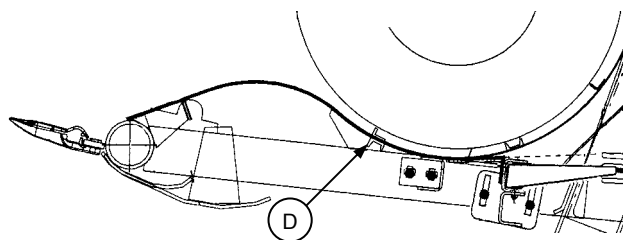
AUGER FLIGHTING DEFLECTOR



CENTER STRIPPER EXTENSIONS



DEFLECTOR STORAGE



FRONT STRIPPER – SHORTER “C” CHANNEL
STRIPPER STORAGE

OPERATION

HAY CONDITIONER ROLL INTERMESH

The intermeshing steel rolls of the hay conditioner crimp the plant stems in several places, allowing moisture release and faster drying. The degree to which the stems are conditioned (crimped) depends on the amount of roll intermesh.

Correct conditioning of alfalfa, clover and other legumes is usually indicated when 90% of the stems show crimping but no more than 5% of the leaves are damaged. To achieve this, roll intermesh is factory set so that dimension (D) is approximately 5/8 inch (16 mm) for normal operation, which corresponds to 2.5 on the roll gap decal.

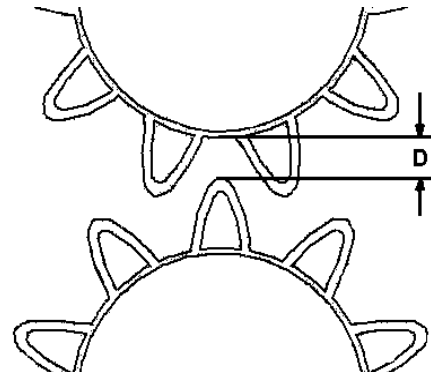
In heavy thick stemmed crops, rolls may need to be adjusted for almost no roll intermesh (7 on roll gap decal).

In lighter crops, a closer intermesh may be required for optimum conditioning, however setting rolls too close may cause excessive stem and leaf damage.

To adjust roll intermesh:

NOTE: The top face of nut (E) is used as the indicator for the gauge decal on the threaded rod. Each division on the roll gap decal represents a change of approximately 1/8 inch (3mm) in roll gap. The factory setting of 5/8 inch (16mm)-roll gap is mark 2.5 on the decal. When adjusting roll gap, be sure that the decal reading is the same on both sides of the conditioner roll to achieve consistent intermesh across the rolls.

1. Loosen nut (E).
2. Turn nut (F) clockwise to decrease intermesh, or counter-clockwise to increase intermesh.
NOTE: Nut (F) is welded to adjuster tube so complete assembly will turn.
3. When intermesh is correct, tighten nut (E) while holding nut (F) with another wrench to lock the position securely.



ROLL INTERMESH
FACTORY SET AT 5/8" (16 mm)



ROLL INTERMESH ADJUSTMENT

OPERATION

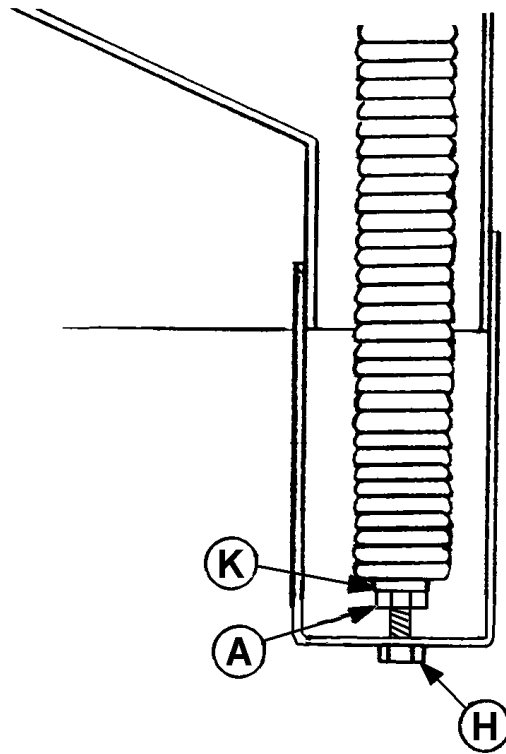
HAY CONDITIONER ROLL TENSION SPRINGS

The conditioner roll intermesh is maintained by two tension springs to provide roll pressure for correct conditioning of the crop. These springs also allow the rolls to open to allow passage of small solid objects without damage to the rolls. The roll tension has been factory set for normal operating conditions and generally does not require adjustment.

In some conditions, less aggressive conditioning may be desirable, and roll tension can be reduced as required. For smooth conditioner operation, back off tension only as much as required for desired conditioning action.

To decrease spring tension:

1. Loosen jam nut (A).
2. Turn bolt (H) out of spring to decrease tension (easier to force rolls open.)
3. Hold spring plug (K) with a wrench and tighten nut (A) securely against plug to secure the position.
4. Repeat at other side.



ROLL TENSION ADJUSTMENT

FEED PAN/ROCK DROP TINE POSITION: (Relative to Hay Conditioner)

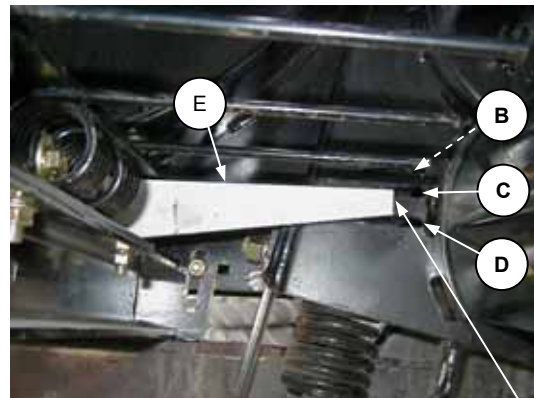
Rock drop tines must be correctly positioned to ensure proper feeding into hay conditioner. Check also that conditioner feed pan has not become pushed down or buckled. A damaged feed pan can result in uneven feeding to the hay conditioner.

To adjust position of feed pan and rock drop tines:

1. Ensure that all tine points are in line. Bend tines to align if required.
2. Select desired setting for tine positions (see step 4).
3. To adjust tine position, loosen bolts (J) at both sides of delivery opening.
4. Rotate channel assembly with wrench either upward or downward to align pointer (E) with the center of slots in hay conditioner frame for your specific crop conditions, as follows:
SLOT: (B) – recommended for light crop.
(C) – factory set, for medium volume crops.
(D) – recommended for heavy crop.
5. Tighten bolts (J).



ROCK DROP TINE POSITIONING



ALIGN POINTER WITH CENTER OF SLOT

OPERATION

HAY CONDITIONER FORMING SHIELDS



CAUTION: Keep forming shields installed at all times conditioner is in use. Do not allow anyone to stand behind the machine while operating. Stones or other foreign objects may be ejected from the conditioner with considerable force.

The side and rear deflectors, and deflector fins are adjustable to shape the windrow to your preference.

In deciding on windrow width, the following factors should be considered:

- weather conditions (rain, sun, humidity, wind)
- type and yield of crop
- drying time available
- method of processing (bales, silage, "green-feed")

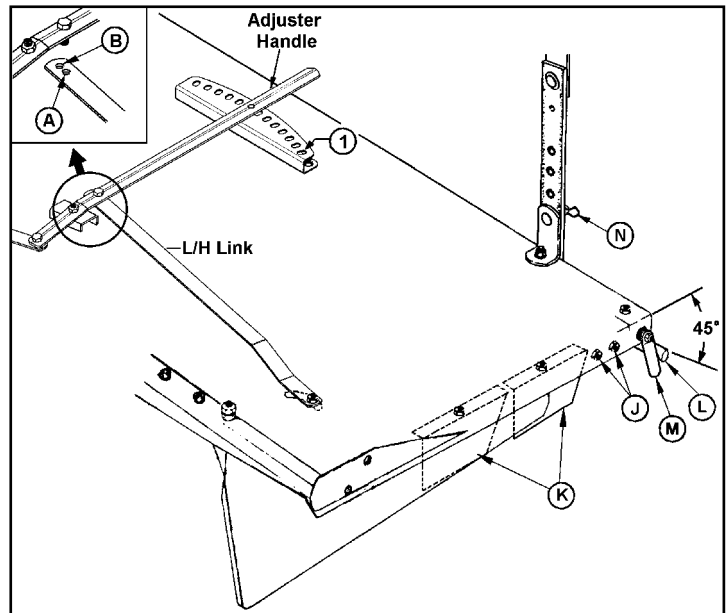
A wider windrow will generally dry faster and more evenly, resulting in less protein loss. Fast drying is especially important in areas where the weather allows only a few days to cut and bale. See "Haying Tips" in this section for more information.

Where weather conditions permit or when drying is not critical, for example, when cutting for silage or "green-feed", a narrower windrow may be preferred for ease of pick-up.

Windrow Width

Position the adjuster handle as required to move the side deflectors to the desired width.

NOTE: With hardware installed in hole (A) in L/H link as shown, deflectors will move symmetrically about the center of the conditioner rolls. For the most evenly formed windrows, use position (A) for windrows up to 65 inches wide. Use hole (B) only when windrows over 65 inches are required, as this allows the left deflector to open to a wider position than the right deflector. Maximum width is with hardware in hole (B) and handle in position (1).



HAY CONDITIONER FORMING SHIELDS

Rear Deflector

The rear deflector (L) slows the crop exiting the conditioner rolls, directs the flow downward, and "fluffs" the material.

To start, adjust rear deflector to approximately the mid-range position (45°). Optimum position for best windrow uniformity must be determined for each crop condition.

To adjust rear deflector, loosen adjuster handles (M), one per side, position deflector and tighten adjuster handles (M). For even windrow formation, be sure deflector is not twisted.

OPERATION

HAY CONDITIONER FORMING SHIELDS (continued)

Forming Shield Height

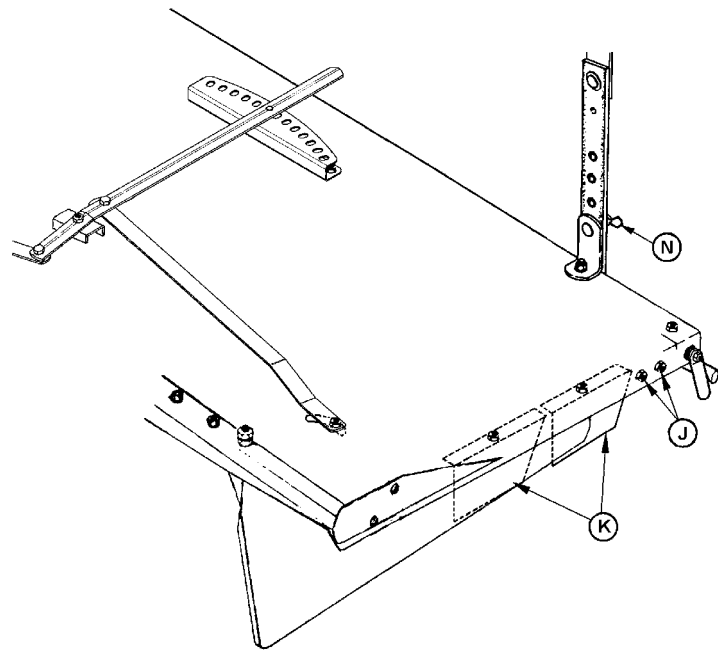
Depending on the amount of crop material, the rear of the forming shield assembly can be raised or lowered to properly deflect the crop. For heavier crops use the higher settings:

- XX40 & XX50 series tractors use 4th or 5th hole from the bottom on the rubber strap.
- XX52/XX52i tractors use 1st or 2nd hole from the bottom of rubber strap.

For lighter crops, lower forming shield as required to form the most uniform windrows. Note that too low a setting will cause uneven and poorly formed windrows.

To adjust forming shield rear height, remove hairpin at (N), both sides, and raise or lower shields to desired height.

NOTE: For normal operation, front of forming shield assembly is attached to conditioner top cover. If desired, shield assembly can be fully tractor mounted with front of shield assembly attached to top rear pin of tractor lift linkage. This accommodates frequent removal of header from tractor. See Assembly section for details.



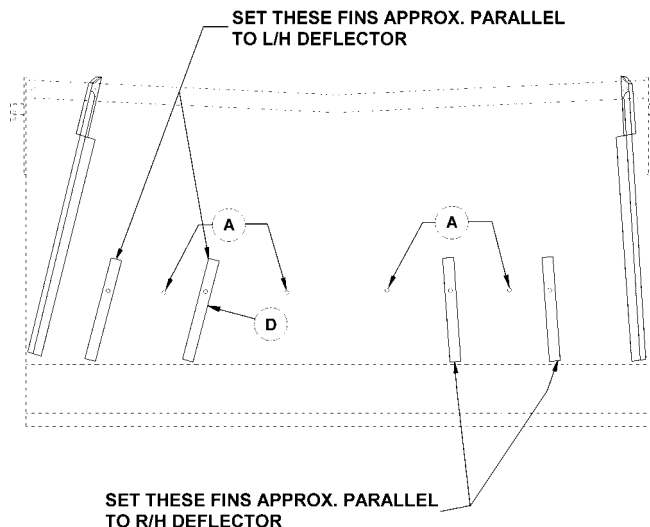
HAY CONDITIONER FORMING SHIELDS

Deflector Fins

Four deflector fins provided standard are stored at (K) on the top L/H side of the top cover. Additional fin hardware required is stored at (J).

Use deflector fins as shown at (D) to evenly distribute material when laying swaths wider than 72 inches (1830 mm). Fin position can be adjusted without loosening mounting bolt. Set fins approximately parallel to side deflectors for wide swath and adjust as required for even distribution of crop across full width. For narrow windrow less than 72 inches (1830 mm) remove fins.

NOTE: Four additional fins (available from your dealer) may be mounted in holes (A) for even crop distribution in swaths over 90 inches (2286 mm) wide.



DEFLECTOR FINS

OPERATION

HAYING TIPS

There is one certainty when making hay - a fast cure will maintain top quality. It is critical to have the cured hay baled as quickly as possible, for two reasons:

1. Every day hay lies on the ground, 5% of the protein is lost.
2. The sooner the cut hay is off, the earlier the start for next growth.

Generally, leaving the windrow as wide and thin as possible makes for the quickest curing, however there are other factors that affect curing time:

1. TOPSOIL MOISTURE

When the ground is wetter than the hay, moisture from the soil is absorbed by the hay above it. Determine topsoil moisture level before cutting. Use a moisture tester or estimate level:

Over 45% - WET - Soil will be muddy
25 - 45% - DAMP - Walking on soil leaves tracks
Under 25% - DRY - Soil will be dusty on top

When ground is wet due to irrigation, wait until soil moisture drops below 45%. When ground is wet due to frequent rains, cut when weather allows and let the forage lie on wet ground until it dries to the moisture level of the ground. At this point, the cut hay will dry no more until the ground under it dries, so consider moving the windrow to drier ground.

On wet soil, the general rule of "wide and thin" does not apply. A narrower windrow will dry faster than hay left flat on wet ground.

2. CLIMATE AND TOPOGRAPHY

- a. Try to have as much hay cut as possible by midday, when drying conditions are best.
- b. Fields sloping south get up to 100% more exposure to the sun's heat than do north sloping fields. If you bale and chop, consider baling the south facing fields and chopping those facing north.
- c. When relative humidity is high, the evaporation rate is low and hay dries slower. If there is no wind, saturated air becomes trapped around the windrow, further hindering the drying process. Raking or tedding will expose the hay to fresher, less saturated air. Cutting hay perpendicular to the direction of the prevailing winds may also help.

3. WINDROW CHARACTERISTICS

See "Operating Variables" in this section. Control the factors listed to produce a windrow with the following characteristics:

- a. High and fluffy for good air flow. The movement of air through the windrow is more important to the curing process than direct sunlight.
- b. Consistent formation, not bunched. A uniform windrow permits an even flow of material into the baler, chopper etc.
- c. Even distribution, not piled in the middle or higher on one side. A windrow that is higher or heavier on one side could cause stacks to lean, round bales to have one end smaller and loose, or small square bales to be heavy on one side, causing handling and stacking problems.
- d. Properly conditioned without excessive leaf damage.

4. RAKING AND TEDDING

Raking or tedding will speed up drying, however the benefits must be weighted against the additional leaf losses which will result. When the ground beneath the down hay is dry, raking or tedding is probably not worthwhile.

Big windrows on damp or wet ground should be turned over when they reach 40-50% moisture. Hay should not be raked or tugged at less than 25% moisture, or excessive yield losses will result.

5. CHEMICAL DRYING AGENTS

Hay drying agents work by removing wax from legume surfaces, enabling water to escape and evaporate faster. However, treated hay lying on wet ground will also absorb ground moisture faster.

Before deciding to use a drying agent, costs and benefits relative to your area should be carefully compared. Always follow chemical manufacturer's recommendations for safe handling and proper use.

OPERATION

"GRASS SEED SPECIAL" HEADER

The grass seed auger header has several features to adapt it to this special application. These features include:

Stub Guards and Hold-downs: The cutterbar is equipped with stub guards for effective cutting in tough grass crops. See "Sickle and Sickle Drive" in Maintenance/Service section for maintenance of these components.

Special Auger Design: The center beaters and beater supports have been removed to reduce auger wrapping.

Slower Auger Speed: For 12' & 14' Headers, the slower auger speed of 170 RPM (compared with 205 RPM for 16' and standard header) also reduces auger wrapping.

Adjustable Stripper Bars: The two upper sets of stripper bars are adjustable for more effective stripping of grass crops.

To adjust:

1. Loosen bolts (G) along upper stripper bars.
2. Slide extension bars (H) in or out to obtain approximately 1/8 inch (3 mm) clearance to auger flighting (J) along entire auger length.
3. Tighten bolts (G).

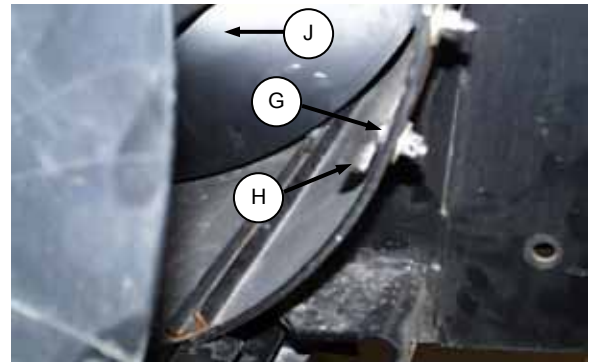
Auger Pan Extensions: One pan extension is provided to reduce delivery opening from the maximum 68 inches (1720 mm) to 59 inches (1490 mm). A second pan extension may be ordered to further reduce opening to 50 inches (1260 mm).

NOTE: When installing auger pan extensions (A):

1. The pan supplied is factory assembled to be installed on the **left** side of the delivery opening, with cutterbar support (D) at inboard side. Install hardware supplied as shown.
2. Move the two upper sets of stripper bars (B) so end of stripper is flush with edge of pan extension. The lowest (most forward) set of stripper bars (C) should remain in standard pan position as shown. Reset upper stripper bars clearance as described above.

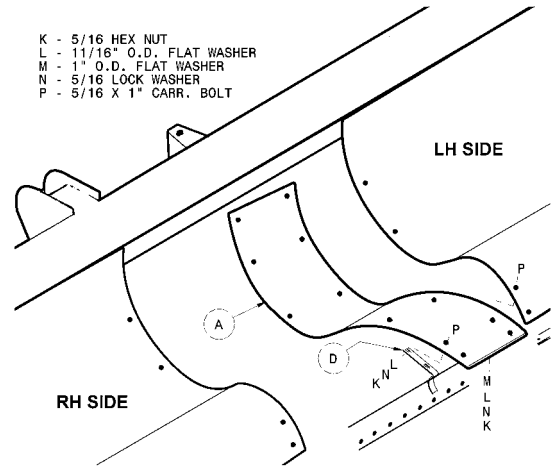
Windrow Forming Rods: Forming rods are provided to assist in forming the narrow windrows preferred for this application. Bend the rods to modify the windrow shape. Use the forming rods in conjunction with the auger pan extensions to achieve the width and shape of windrows you desire. See "forming rod installation" section.

Six-Bat Reel: A sixth bat is added to the reel body, for smoother reel action and better crop feed into the header.

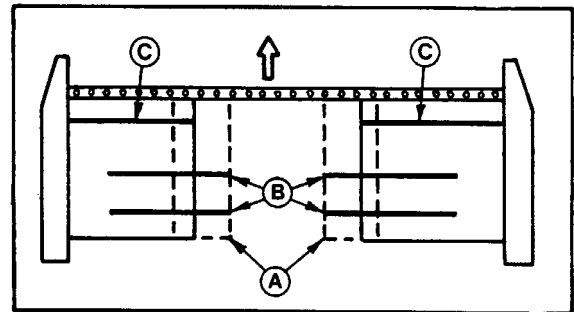


STRIPPER BAR ADJUSTMENT

- K - 5/16 HEX NUT
- L - 1 1/16" O.D. FLAT WASHER
- M - 1" O.D. FLAT WASHER
- N - 5/16 LOCK WASHER
- P - 5/16 X 1" CARR. BOLT



INSTALLING AUGER PAN EXTENSION



POSITION UPPER STRIPPER BARS FLUSH WITH PAN EXTENSIONS



WINDROW FORMING RODS

OPERATION

UNPLUGGING THE HEADER



WARNING: Stop engine and remove key from ignition before removing plugged material from header.

If the sickle plugs:

1. Stop forward movement of the windrower and disengage header drive clutch.
2. With header on ground, back up several feet and engage header drive clutch.
3. If plug does not clear, disengage header drive clutch and raise header fully.
4. Shut off engine, remove key and engage park brake.
5. Engage header lift cylinder stops.



WARNING: Wear heavy gloves when working around sickle.

6. Clean off cutterbar.

If plugging persists, see Trouble Shooting section.

If auger or conditioner plugs:

1. Stop forward movement of the windrower, disengage header drive clutch and raise header fully.
2. Shut off engine, remove key and engage park brake.
3. Engage header lift cylinder stops.



WARNING: Wear heavy gloves when working around sickle.

4. Clean off cutterbar and area under reel.
5. Position wrench (A) over end of drive shaft (B) and rotate counter-clockwise (from left end) until plug clears.
6. Store wrench in left end divider and secure with hairpin at (C).

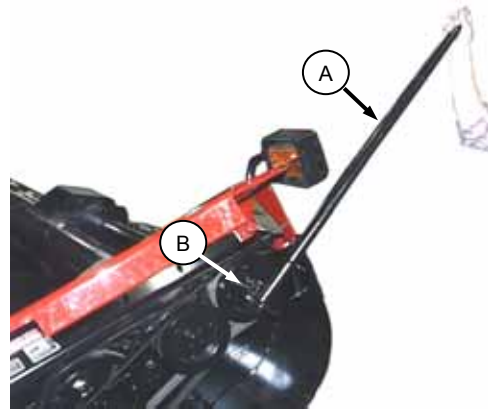
If plugging persists, see Trouble Shooting section.

Hydraulic Conditioner Roll Opener (Option)

For units equipped with this option, if conditioner rolls plug during operation:

- Disengage header drives.
- Press top of switch (D) to extend the cylinders at the sides of the conditioner frame, forcing the rolls open.
- While holding switch (D) in the up position, set engine throttle at half speed and engage header drive to clear conditioner plug.
- When plug is cleared, release switch and continue normal operation. Cylinders will automatically retract.

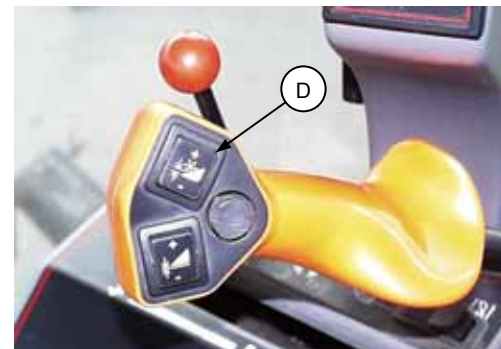
For information on ordering this option, see Attachments section in this book.



CLEARING PLUGS



WRENCH STORAGE



OPERATE HYDRAULIC ROLL OPENER WITH REEL LIFT SWITCH



WARNING: Be aware that rolls will close automatically if bottom of switch (D) is pressed while engine is running, or if header drive is engaged with engine running. If it becomes necessary to manually remove a plug from the conditioner:

- Disengage header drive.
- Press top of switch (D) to extend the cylinders at the sides of the conditioner frame, forcing the rolls open.
- Shut off engine and remove key.
- Remove plug manually and continue normal operation.

OPERATION

TRANSPORTING THE HEADER

See "Transporting the Windrower" in Windrower Tractor Operator's Manual for recommended procedures for:

- Driving the Windrower on Roads
- Towing the Windrower on a Trailer
- Towing the Windrower without a Trailer

NOTE: For headers with divider rods, when transporting on a side-mount trailer, remove divider rods to narrow the transport width.

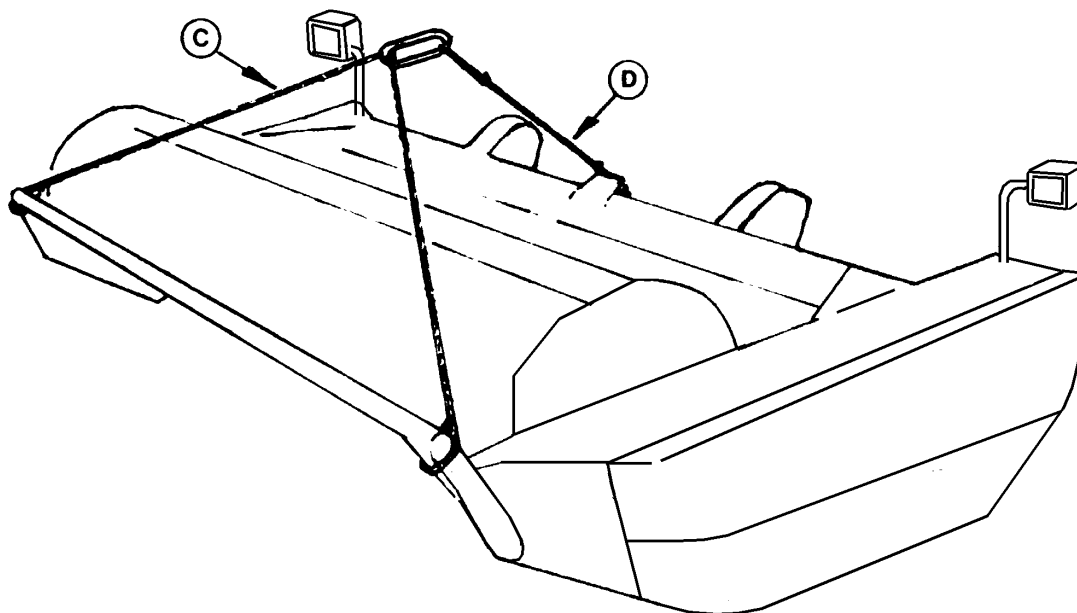
LIFTING HEADER IN WORKING POSITION

If it is necessary to lift header once it has been lowered from shipping position to working position, see "Lifting Vehicle Requirements" and "Chain Requirements" in Unloading & Assembly section before proceeding.

Attach one chain (C) from lifting vehicle to both ends of lean bar. Attach a second chain (D) from lifting vehicle to center link anchor on frame tube as shown.



CAUTION: Be sure hooks are secure before lifting header. Stand clear when lifting, as machine may swing.



LIFTING HEADER IN WORKING POSITION

OPERATION

STORAGE PROCEDURE

Do the following at the end of each operating season:



CAUTION:

- 1. Clean the windrower thoroughly. Never use gasoline, naphtha or any volatile material for cleaning purposes. These materials may be toxic and/or flammable.**
- 2. Store machine in a dry, protected place if possible.**
- 3. Cover cutterbar and sickle guards to prevent injury from accidental contact.**

Also:

4. Repaint all worn or chipped painted surfaces to prevent rust.
5. Loosen all drive belts.
6. Lubricate the windrower thoroughly, leaving excess grease on fittings to keep moisture out of bearing. Apply grease to exposed threads and sliding surfaces of components.
7. Check for worn or broken components and repair or order replacements from your dealer. Attention to these items right away will save time and effort at beginning of next season.
8. Tighten loose hardware and replace any missing hardware. See Specification section for torque charts.
9. Remove divider rods (if equipped) to reduce space required for inside storage.
10. Units with stub guards - To prevent stub guard adjuster bar bolts from becoming seized, apply penetrating oil at bolts prior to storage.

MAINTENANCE/SERVICE

SERVICE PROCEDURES



CAUTION: To avoid personal injury, before servicing machine or opening drive covers:

1. Fully lower header. If necessary to service in the raised position, first engage header lift cylinder stops.
2. Disengage header drive clutch.
3. Stop engine and remove key.
4. Engage park brake.
5. Wait for all moving parts to stop.

Wear close-fitting clothing and cover long hair. Never wear dangling items such as scarves or bracelets.

Wear protective shoes with slip-resistant soles, a hard hat, protective glasses or goggles and heavy gloves.

If more than one person is servicing the machine at the same time, be aware that rotating a driveline or other mechanically driven component by hand (for example to access a lube fitting) will cause drive components in other areas (belts, pulleys and sickle) to move. Stay clear of drive components at all times.

Be prepared if an accident should occur. Know where the first aid kit and fire extinguishers are located and how to use them.

Keep the service area clean and dry. Wet or oily floors are slippery. Wet spots can be dangerous when working with electrical equipment. Be sure all electrical outlets and tools are properly grounded.

Use adequate light for the job at hand.

Replace all shields removed or opened for service.

Use only service and repair parts made or approved by the equipment manufacturer. Substituted parts may not meet strength, design or safety requirements.

Keep the machine clean. Never use gasoline, naphtha or any volatile material for cleaning purposes. These materials may be toxic and/or flammable.

MAINTENANCE/SERVICE

RECOMMENDED LUBRICANTS

GREASE

Use an SAE Multi-Purpose High Temperature Grease with Extreme Pressure (EP2) Performance and containing a maximum of 1% moly (molybdenum disulphide).

For driveline slip-joints only, increased moly content (up to 10%) is recommended. **IMPORTANT:** Do not use this higher moly content grease on bearings, as it may cause excessive wear in high speed applications.

GEAR LUBRICANT

Wobble Box and Hay Conditioner Gear Case: Use SAE 85W-140 gear lube (API Service Class. GL-5)

Auger Drive Gear Case: Use grease as specified above.

CAPACITIES

Wobble Box – 2.2 litres (2.3 U.S. quarts)

Hay Conditioner Gear Case - 1100 ml (1.2 U.S. quart)

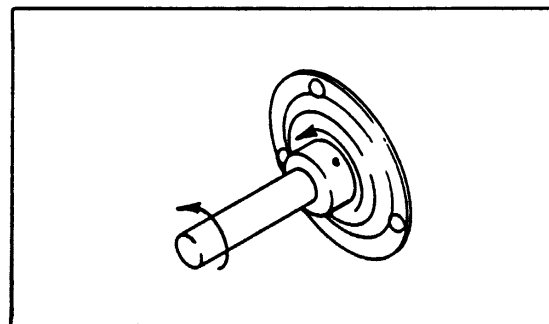
Auger Drive Gear Case - 600 grams (1.5 tubes)

STORING LUBRICANTS

Your machine can operate at top efficiency only if clean lubricants are used. Use clean containers to handle all lubricants. Store them in an area protected from dust, moisture and other contaminants.

SEALED BEARING INSTALLATION

1. Clean shaft and coat with rust preventative.
2. Install flangette, bearing, flangette and lock collar. The locking cam is only on one side of the bearing.
3. Install (but do not tighten) the flangette bolts.
4. When the shaft is located correctly, lock the lock collar with a punch. The collar should be locked in the same direction the shaft rotates. Tighten the setscrew in the collar.
5. Tighten the flangette bolts.
6. Loosen the flangette bolts on the mating bearing one turn and re-tighten. This will allow the bearing to line up.



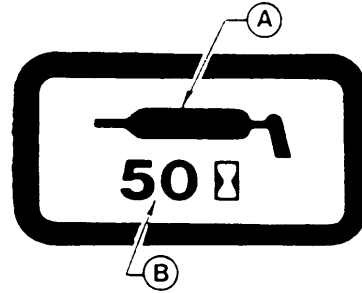
TIGHTEN COLLAR IN DIRECTION
SHAFT ROTATES

MAINTENANCE/SERVICE

GREASING THE HEADER AND CONDITIONER

See "Recommended Lubricants" in this section for recommended greases.

The following greasing points are marked on the header by decals showing a grease gun (A), and grease interval (B) in hours of operation. Use the hour meter in the windrower cab and the "Maintenance Checklist" provided to keep a record of scheduled maintenance.



Procedure:

1. Wipe grease fitting with a clean cloth before greasing, to avoid injecting dirt and grit.
2. Inject grease through fitting with grease gun until grease overflows fitting, except where noted. Inject grease slowly to prevent seal damage.
3. Leave excess grease on fitting to keep out dirt.
4. Replace any loose or broken fittings immediately.
5. If fitting will not take grease, remove and clean thoroughly. Also clean lubricant passageway. Replace fitting if necessary.

10 Hours or Daily:

1. Cross-Shaft Center Support Bearing (D)
- one fitting on Double Sickle Header

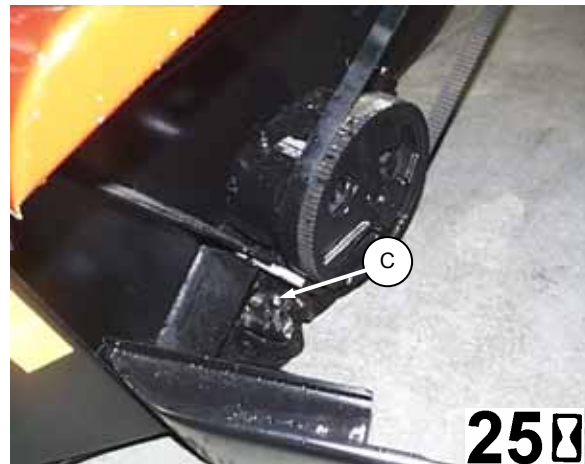


CROSS-SHAFT CENTER SUPPORT BEARING
DOUBLE SICKLE HEADER

25 Hours

1. Sickle Head (C) - single sickle: one fitting
- double sickle: two fittings

NOTE: If more than 6 to 8 pumps of the grease gun are required to fill the cavity, replace the seal in the sickle head. When changing seal, check pin and needle bearing for wear. Replace if necessary. See page 45.



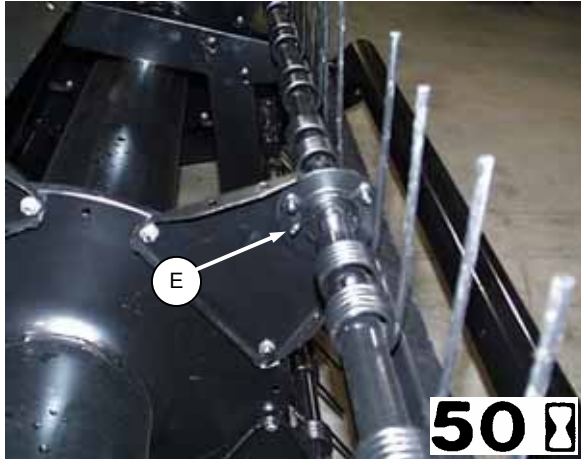
SICKLE HEAD

MAINTENANCE/SERVICE

GREASING THE HEADER AND CONDITIONER (continued)

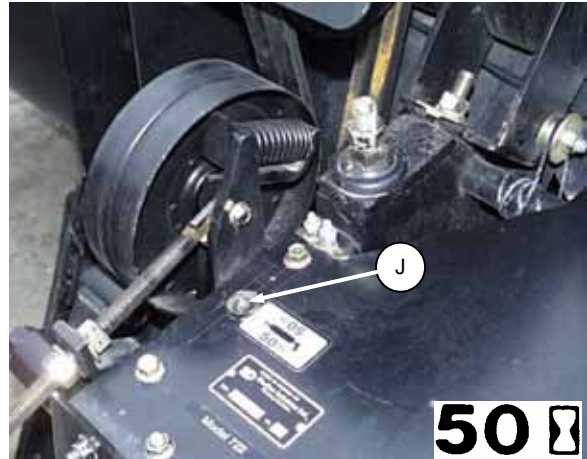
50 Hours:

1. Reel Finger Tube Bearings (E)
 - twenty fittings on 14', 16', 18' - 922 headers.
 - eighteen fittings on 12' - 933 headers.
 - twenty-four fittings on 14' - 933 headers.



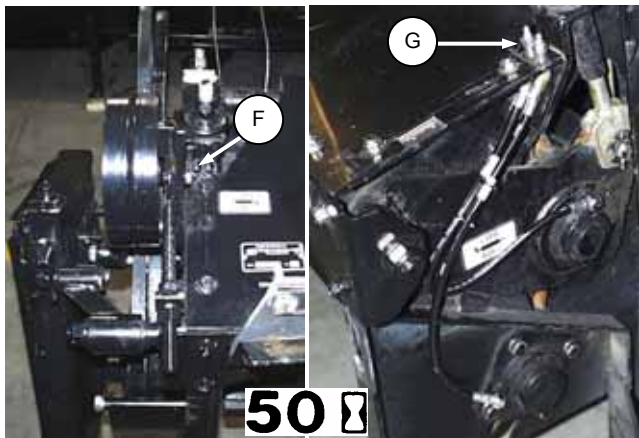
REEL FINGER TUBE BEARINGS
922 & 933 HEADERS

3. Hay Conditioner Idler Pivot (J)
 - one fitting



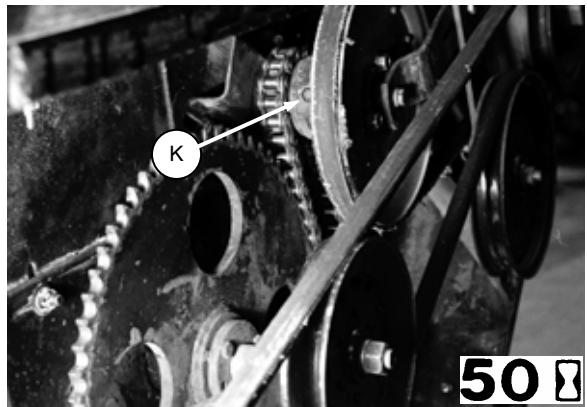
CONDITIONER IDLER PIVOT

2. Hay Conditioner Roll Shaft Bearings (F) & (G)
 - four fittings.



LEFT SIDE RIGHT SIDE
CONDITIONER ROLL BEARINGS

4. Auger Drive Jackshaft Bearings (K)
 - one fitting on 912 Header only



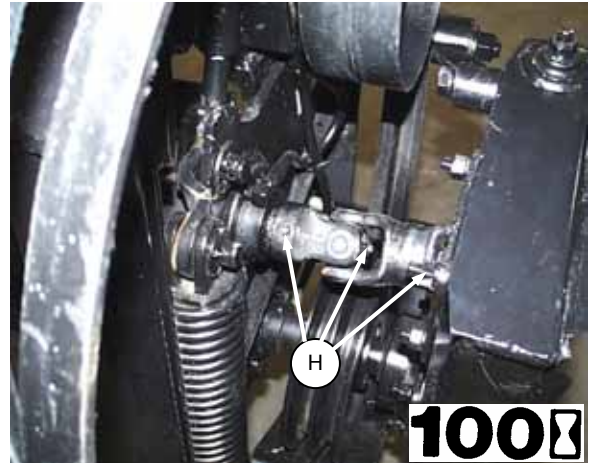
JACKSHAFT BEARINGS - 912 HEADER

MAINTENANCE/SERVICE

GREASING THE HEADER AND CONDITIONER (continued)

100 Hours or Annually:

1. Hay Conditioner Universal Shaft (H)
 - three fittings.



CONDITIONER UNIVERSAL SHAFT

2. Drive Shaft Support Bearings (C) & (D)
 - two fittings



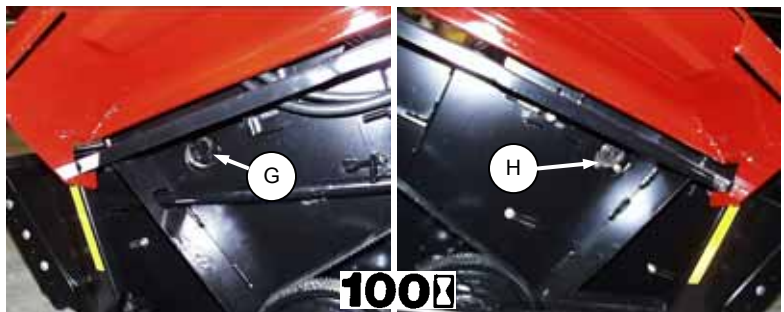
LEFT END
RIGHT END
DRIVE SHAFT SUPPORT BEARINGS

3. Cross-Shaft End Support Bearings (E) & (F)
 - two fittings on Double Sickle Header



LEFT END
RIGHT END
CROSS-SHAFT END SUPPORT BEARINGS
DOUBLE SICKLE HEADER

4. Reel Shaft Bearings (G) & (H)
 - two fittings on 922 and 933 Headers



LEFT END
RIGHT END
REEL SHAFT BEARINGS & DRIVE CHAIN
922 & 933 HEADERS

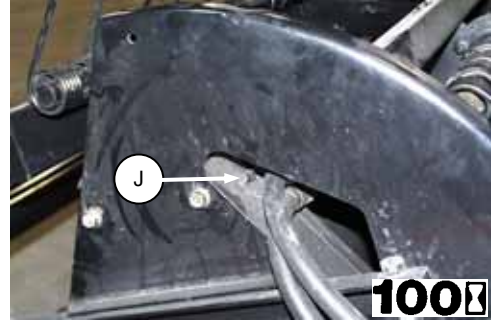
MAINTENANCE/SERVICE

GREASING THE HEADER AND CONDITIONER (continued)

100 Hours or Annually

5. Reel Drive Chain (J)

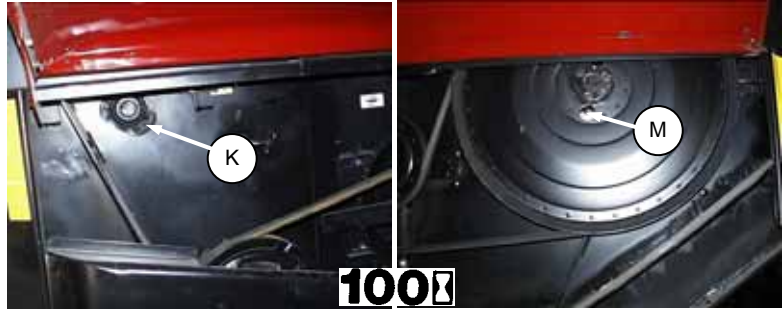
- one fitting on 922 and 933 Headers. (Four to six pumps of grease gun will be sufficient.)



REEL DRIVE CHAIN

6. Reel Shaft Bearings (K) and (M)

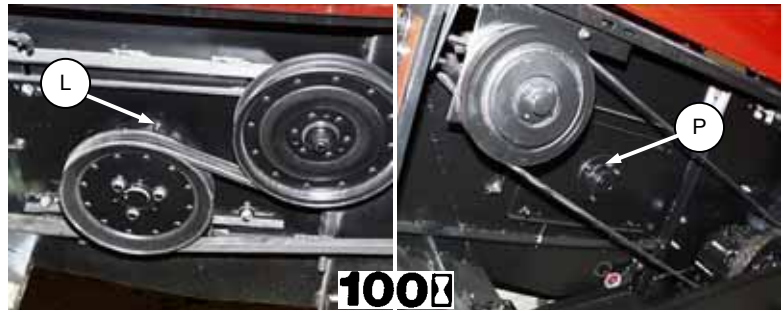
- two fittings on 912 Header



LEFT END RIGHT END
REEL SHAFT BEARINGS - 912

7. Auger Shaft Bearing (L) and (P)

- one fitting



912 HEADER 922/933 HEADERS
AUGER SHAFT BEARING

8. Gauge Roller Bearings (N) - (Optional Equipment)

- four fittings



GAUGE ROLLER BEARINGS

MAINTENANCE/SERVICE

SICKLE AND SICKLE DRIVE



WARNING: Keep hands clear of the area between guards and sickle at all times.



CAUTION: Wear heavy gloves when working around or handling sickles.

Sickle Lubrication

Apply SAE 10 or equivalent light weight oil daily (one or two drops per section) along entire length of sickle.

NOTE: Do not oil sickle if operating in sandy conditions. Oil will cause sand to adhere to sickle components, resulting in excessive wear.

Units with stub guards - Keep adjuster screws and top guard adjuster bar well-lubricated, especially before storage to prevent corrosion.

Sickle Sections

Check daily that sections are firmly bolted to the sickle back and are not worn or broken. Replace as required.

To replace sickle section:

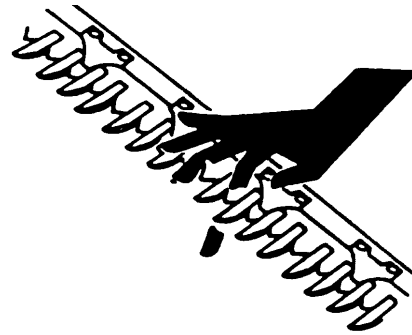
1. A worn or broken sickle section (A) can be replaced without removing sickle from cutterbar.
2. Remove lock nuts and lift section off of bolts. **IMPORTANT:** Do not mix heavy and light sickle sections on same sickle.
3. Clean any dirt off of sickle back and position new sickle section on bolts. Secure with lock nuts.

To Remove Sickle

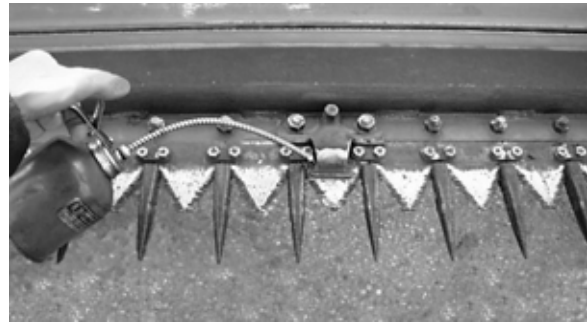


WARNING: Always stand to rear and grasp rear edge of sickle during removal to reduce risk of injury from cutting edges. Wear heavy gloves when handling sickle.

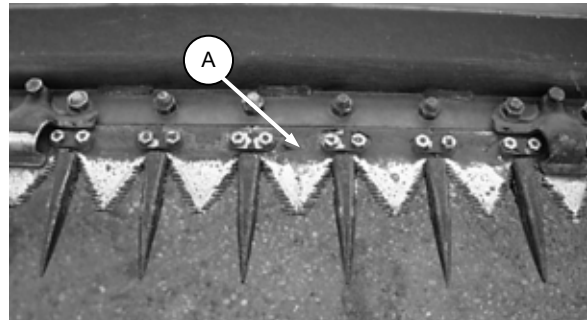
1. Clean area around sickle head. Stroke sickle to its outer limit and remove bolt (C).
2. Insert screwdriver in slot (B) and pry up on sickle head pin to free sickle.
3. Stroke pitman arm to clear bearing in sickle head. Insert sickle head pin in sickle head to shield bearing from dirt.
4. Wrap a chain around sickle head and pull sickle out.
5. If sickle is not being immediately reinstalled, cover sickle head to shield bearing from dirt.



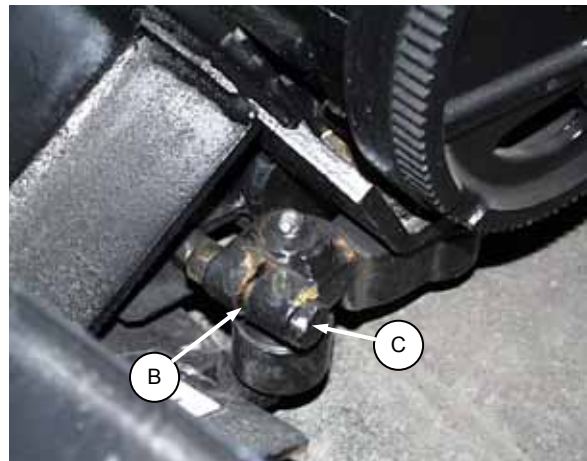
KEEP HANDS AWAY FROM SICKLE



OIL SICKLE DAILY EXCEPT
IN SANDY SOIL



BOLT-ON SECTIONS



REMOVING SICKLE

MAINTENANCE/SERVICE

SICKLE AND SICKLE DRIVE (continued)

Sickle Head Needle Bearing Installation

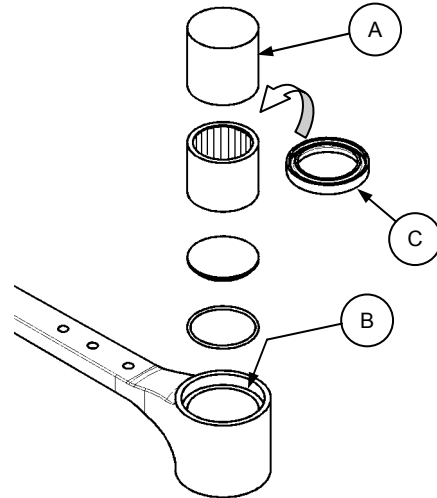
Using a flat-ended tool (A) with approximately the same diameter as the bearing, push the bearing into the sickle head until the top of the bearing is flush with the step (B) in sickle head.

IMPORTANT: O-ring and plug must be in place in sickle head before installing bearing. Assemble the bearing with the stamped end (the end with identification markings) against the tool.

Install seal (C) in top of sickle head *with dust lip facing outwards*.

IMPORTANT: To avoid premature sickle head or wobble box failure, be sure there is no looseness in:

- a) Fit of sickle head pin and needle bearing.
- b) Fit of sickle head pin and pitman arm.



NEEDLE BEARING INSTALLATION

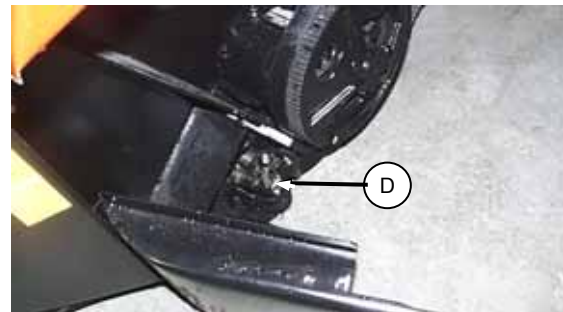
To Install Sickle



WARNING: Always stand to rear and grasp rear edge of sickle during installation to reduce risk of injury from cutting edges. Wear heavy gloves when handling sickle.

IMPORTANT: Always align guards and re-set sickle hold-downs while replacing sickle. See "Guards" and "Sickle Hold-Downs" in this section.

1. Slide sickle into place and replace bolt (D).
NOTE: When installing sickle head pin (E), bottom out the pin in sickle head, then hammer sickle head back up to pitman arm.
2. Tighten bolt (D) to 160 ft.lbs. (220 N.m)

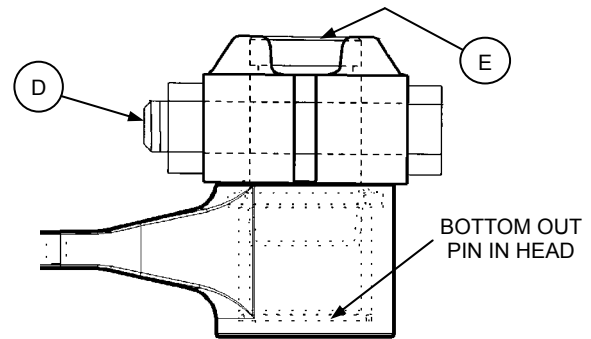


INSTALLING SICKLE

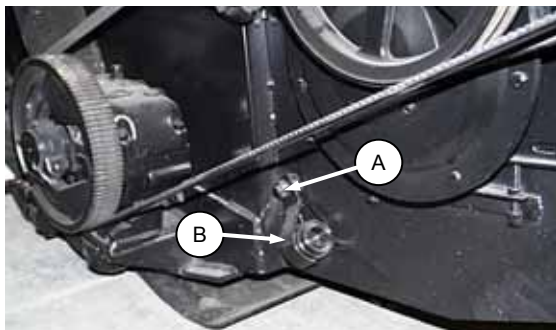
Spare Sickle Storage

Provisions have been made for the storage of a spare sickle. When storing sickle, slide in from end of header and position sickle behind guides (C) under the header. Secure sickle head with clamp (B) as shown.

To remove spare sickle from its storage position, remove clamp-retaining nut (A), remove clamp (B) and pull sickle out.



INSTALLING SICKLE – FRONT



SPARE SICKLE STORAGE – CLAMP END



SPARE SICKLE STORAGE – UNDER HEADER

MAINTENANCE/SERVICE

Guards (Standard)

Check daily that guards are aligned to obtain proper shear cut between sickle section and guard. Sickle sections should contact shear surface of each guard.

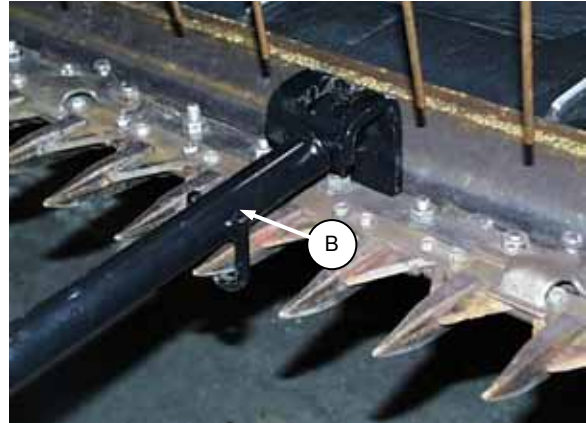
Check guards alignment by sighting down cutterbar. Align guards with guard straightening tool provided, as shown.

To bend guard tips up, position tool as shown at (B) and pull up.

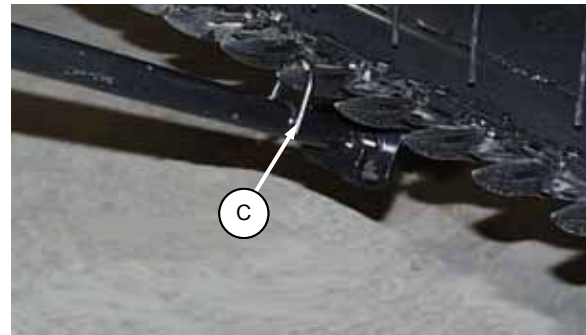
To bend tips down, position tool as shown at (C) and push down.

See "Unplugging the Header" in Operation section for tool storage.

SERVICE PARTS NOTE: The first two guards at each end of cutterbar (double knife header) and at L/H end only (single knife headers) are special guards without the rear wear bar. To prevent interference with the knife back and avoid damage to the drive, these end guards must be serviced with the correct service part. (See Parts Catalog).



BENDING GUARD TIPS UP



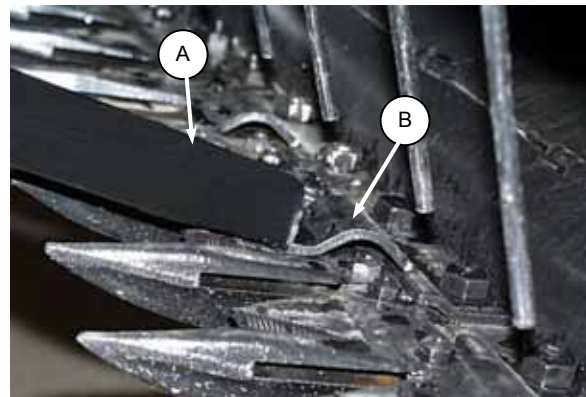
BENDING GUARD TIPS DOWN

Sickle Hold-Downs (912 & 922 Headers)

Check daily that sickle hold-downs are set to prevent sickle sections from lifting off guards but still permit sickle to slide without binding. Set hold-downs after guards are aligned.

To set hold-downs:

1. Use the unplug wrench (A) with the flattened end against the front edge of the hold down (B). Strike the end of the wrench with a heavy hammer. This allows adjustment of hold-down arch (B) without "pinching" sickle. Clearance from hold-down to sickle section should be .020 in. (0.5 mm).
2. After adjusting all sickle hold-downs, run header at a low engine speed and listen for noise due to insufficient clearance. Re-adjust as necessary by placing a .020 in. (0.5 mm) shim between hold-down and section, then striking the hold-down arch (B) with a hammer.



SETTING SICKLE HOLD-DOWNS



SETTING SICKLE HOLD-DOWNS

MAINTENANCE/SERVICE

SICKLE AND SICKLE DRIVE (continued)

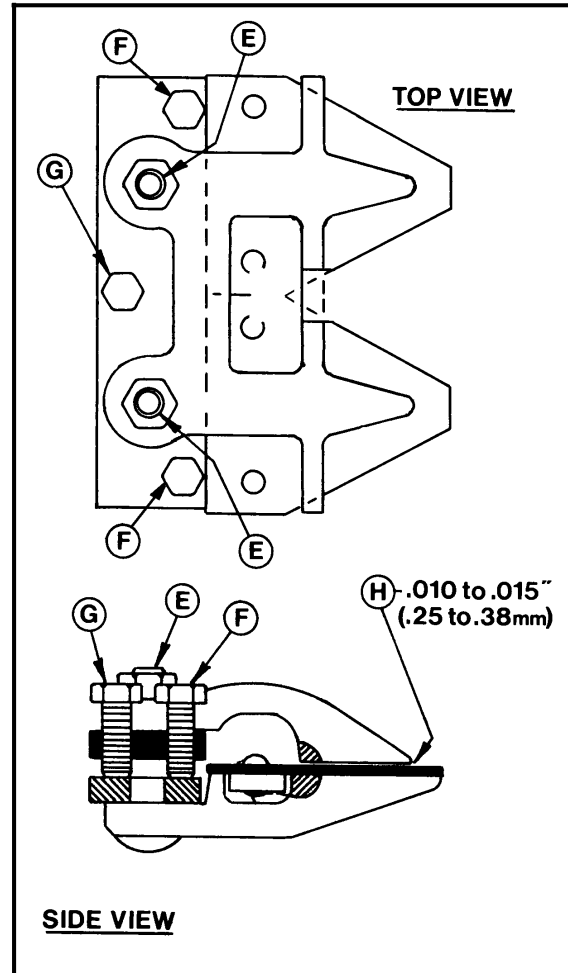
Stub Guards and Hold-Downs – 933 Header

Stub guards are standard equipment on the 933 Grass Seed header, but may be installed on the standard header as well. Kits are available for conversion.

To adjust stub guard top guides:

1. Stroke sickle to center the sections on guard points.
2. Using a feeler gauge at (H), back off adjusting screws (F) as required to obtain .010 to .015 inch (.25 to .38 mm) clearance between hold-down and sickle section at each guard point.
3. Tighten guard bolts (E).
4. Use bolt (G) as required to tilt nose of top guide up or down.
5. Check for clearance between sickle head and adjuster bar at first hold-down (both ends of header). Check clearance at both extremities of sickle stroke.
6. After adjusting all hold-downs, run header at a low engine speed and listen for noise due to insufficient hold-down clearance. Re-adjust as necessary.

Check hold-down clearances daily. Adjust as required, using screws (G).



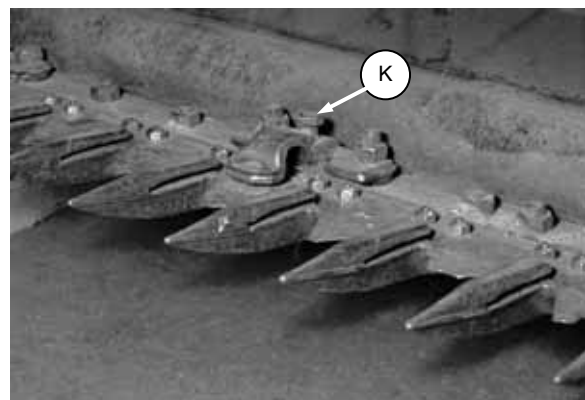
STUB GUARDS AND HOLD-DOWNS
933 HEADER

Cast Hold-Downs (Optional)

Adjustable cast hold-downs are available for use with standard guards.

To adjust cast hold-downs:

1. Loosen guard bolts.
2. Using a feeler gauge between hold-down and sickle section, turn bolt (K) to obtain .020 inch (0.5 mm) clearance.
3. Tighten guard bolts.
4. After adjusting all hold-downs, run header at a low engine speed and listen for noise due to insufficient hold-down clearance. Re-adjust as necessary.



ADJUSTING CAST HOLD-DOWNS

MAINTENANCE/SERVICE

Sickle Timing (Double Sickle Headers)

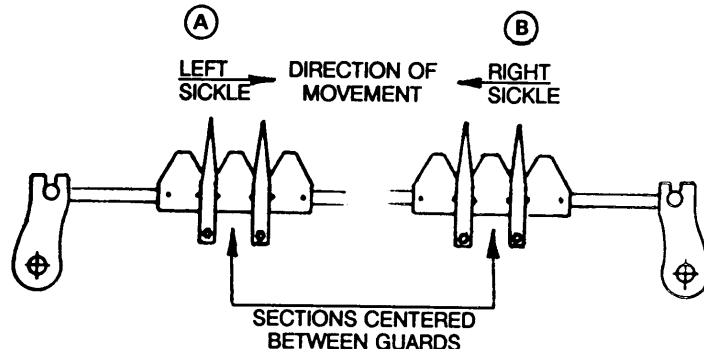
To prevent excessive vibration, the left and right sickles must be accurately timed to move in opposite directions. Timing is achieved by rotating the wobble box pulley as required when installing the wobble box drive belts.

To time the sickles:

1. Install the left hand wobble box drive belt and tension as described (next page). Check that the belt is properly seated in the grooves on both driver and driven pulleys.

2. Rotate the left hand wobble box driven pulley clockwise until the left hand sickle (A) is at the center of the inboard stroke (moving towards the center of the header).

NOTE: Center stroke is when the sickle sections are centered between the guard points as shown.



3. Remove the right hand drive belt from the wobble box pulley and rotate the pulley counter-clockwise until the right hand sickle (B) is also at the center of the inboard stroke.

IMPORTANT: It is critical that sickles are centered at guard points while both are moving towards the center of the header, not one moving inboard and one moving outboard.

4. Install the right hand wobble box drive belt and tension as described (next page).

NOTE: To maintain timing, wobble box driver and driven pulleys must not rotate as the belt is tightened. Tighten all hardware and check that the belt is properly seated in the grooves on both driver and driven pulleys.

5. Check for correct sickle timing by rotating the rear cross-shaft slowly. Observe sickles where they over-lap at the center of the header.

IMPORTANT: At the start of each stroke, sickles must move in opposite directions and must begin to move at exactly the same time. If timing is slightly off, loosen right hand belt just enough to allow skipping the belt one or more teeth as required: If R/H sickle "leads" L/H, rotate right hand driven pulley clockwise. If R/H sickle "lags" L/H, rotate pulley counter-clockwise. Tighten right hand belt.

Changing Double Sickle Speed

Sickle drive is factory assembled for sickle speed of 1875 strokes per minute (S.P.M.). By exchanging pulleys (A) and (B) sickle speed can be decreased to 1450 S.P.M.

To change sickle speed:

1. Loosen auger drive belt. See "Auger Drive Belt Tension".

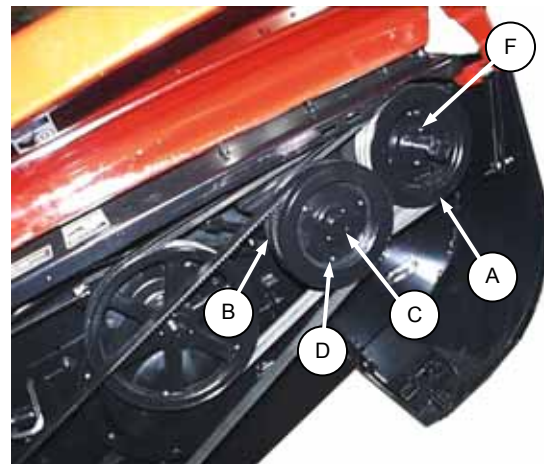
2. Loosen and remove L/H sickle drive timing belt and cross shaft drive belt. See "Tightening Double Sickle Drive Belts", next page.

3. Remove taper lock bushing (C) and remove pulleys. Remove three nuts (D) and separate the timing belt pulley from the inner "double B" pulley (B).

4. Remove three nuts (F) and separate "double B" pulley (A) from auger drive pulley.

5. Exchange positions of pulleys (A) and (B) and reassemble.

6. Tension all belts and time the sickles as described above.



CHANGING SICKLE SPEED

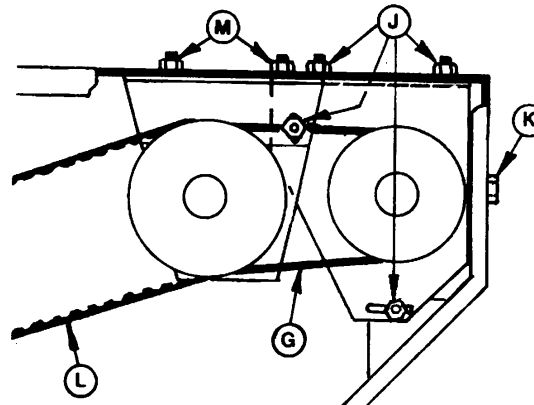
MAINTENANCE/SERVICE

Tightening Double Sickle Drive Belts

1. To tighten cross-shaft drive belt (G) only:
NOTE: If timing belt (L) also requires tightening, go to step 2.
 - a) Loosen auger drive belt at adjuster (H).
 - b) Loosen four nuts (J) at driver pulley mounting plate.
 - c) Turn adjusting bolt (K) clockwise until a force of 12 lbs. (55 N) deflects belt (G) 1/8 inch (3 mm) at mid-span.
 - d) Tighten nuts (J) to lock the position, then tighten auger drive belt. See "Auger Drive".
2. To tighten L/H timing belt (L):
 - a) Loosen auger drive belt at adjuster (H).
 - b) Loosen four nuts (J) and two nuts (M) at pulley mounting plates.
 - c) Turn adjusting bolt (K) clockwise until a force of 6 lbs. (28 N) deflects timing belt (L) 1/2 inch (13 mm) at mid-span.
 - d) Tighten two nuts (M) to lock the timing belt tension.
 - e) Tighten cross-shaft and auger drive belts as described in steps 1 c) and 1 d).

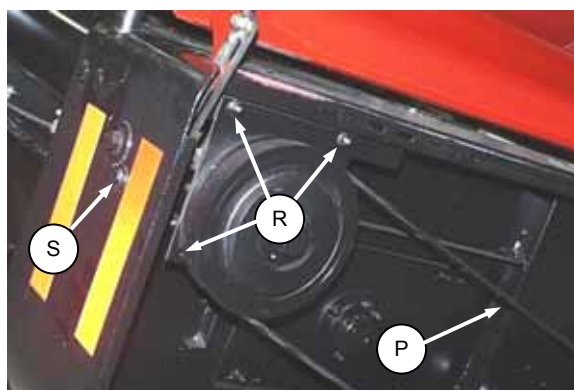


LOOSEN AUGER DRIVE BELT FIRST



L/H SICKLE DRIVE BELTS

3. To tighten R/H timing belt (P):
 - a) Loosen three nuts (R) at R/H driver pulley mounting plate.
 - b) Turn adjusting bolt (S) clockwise until a force of 6 lbs. (28 N) deflects timing belt (P) 1/2 inch (13 mm) at mid-span.
 - c) Tighten nuts (R) to lock the position.



R/H SICKLE DRIVE BELT

Tightening Single Sickle Drive Belt

IMPORTANT: To prolong belt and drive life, do not over tighten belt. Operate at minimum tension required to prevent slipping or excessive belt whip.

To adjust:

1. Loosen idler mounting bolt (A).
2. Use a punch or screwdriver in pry holes (B) to raise idler until a force of 12 lbs. (55 N) deflects belt 1/2 inch (13 mm) at mid-span.
3. Tighten bolt (A).

When installing a new belt:

1. Never pry belt over pulley.
2. Loosen bolt (A) and move idler fully down.
3. Install belt and adjust belt tension as above.
4. Re-adjust belt tension after a short run-in period. (About 5 hours).



SINGLE SICKLE DRIVE BELT TENSION

MAINTENANCE/SERVICE

SICKLE AND SICKLE DRIVE (continued)

Wobble Box Maintenance

NOTE: For double sickle headers, perform maintenance at both boxes.

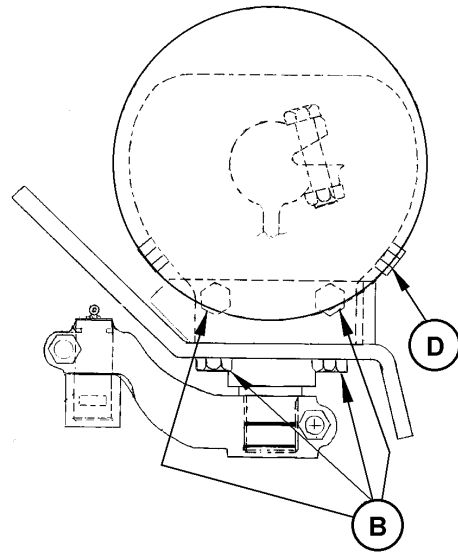
Mounting Bolts - Check four wobble box mounting bolts (B) torque after the first 10 hours operation and every 100 hours thereafter. Torque should be 200 ft.lbs. (270 N·m). When tightening, start with the side mounting bolts.

Lubricant - Check wobble box lubricant level before first operation and every 100 hours thereafter. To check:

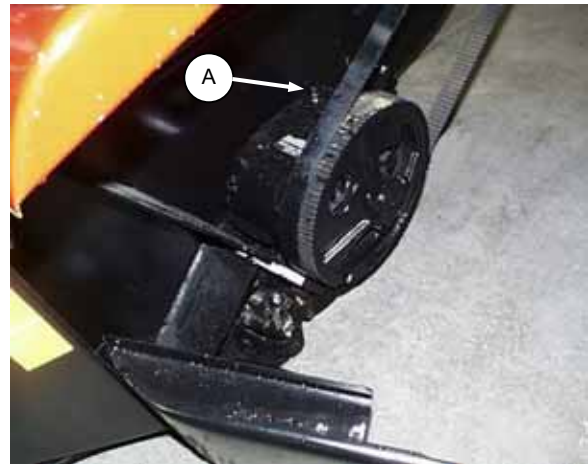
1. Raise header to a point where the wobble box base is approximately level.
2. Remove breather/dipstick (A). Oil level must be between end of dipstick and bottom hole (or groove) in dipstick.
3. Add as required. See "Recommended Lubricants" for specified gear lube and capacity of box.
4. Replace breather/dipstick.

Change wobble box lubricant after the first 50 hours operation and every 1000 hours (or 3 years) thereafter.

To drain wobble box, raise header fully and engage header lift cylinder stops. Remove drain plug from box at (D).



WOBBLE BOX MOUNTING BOLTS & DRAIN PLUG

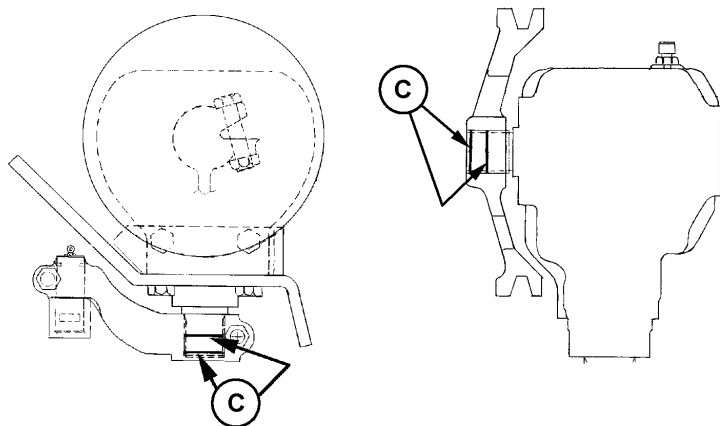


WOBBLE BOX LUBRICANT

Assembly/Disassembly

When reinstalling drive arm or pulley:

1. Remove any rust or paint from inner spline. For replacement parts, remove oil/grease with degreasing agent.
2. Before assembly, apply Loctite® #243 adhesive (or equivalent) to spline. Apply in two bands (C) as shown, with one band at end of spline and one band approximately mid-way.



USE ADHESIVE FOR ASSEMBLY

MAINTENANCE/SERVICE

REEL AND REEL DRIVE

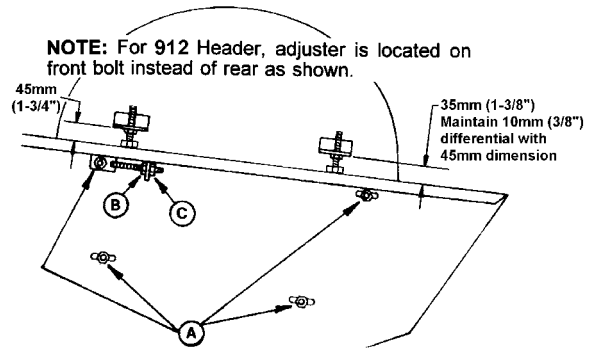
Reel Position - Fore and Aft

The reel fore-aft position has been factory set and should not normally require adjustment. For nearly all conditions, the reel should be set as close as possible to knife and auger pan by maintaining dimension 1032mm (40-5/8") from reel tube to header frame leg (see illustration below). Component wear may cause clearances to become excessive, which can result in feeding problems and uneven windrows. Changing the reel finger pitch (see "Operating Variables") may also affect reel clearances.

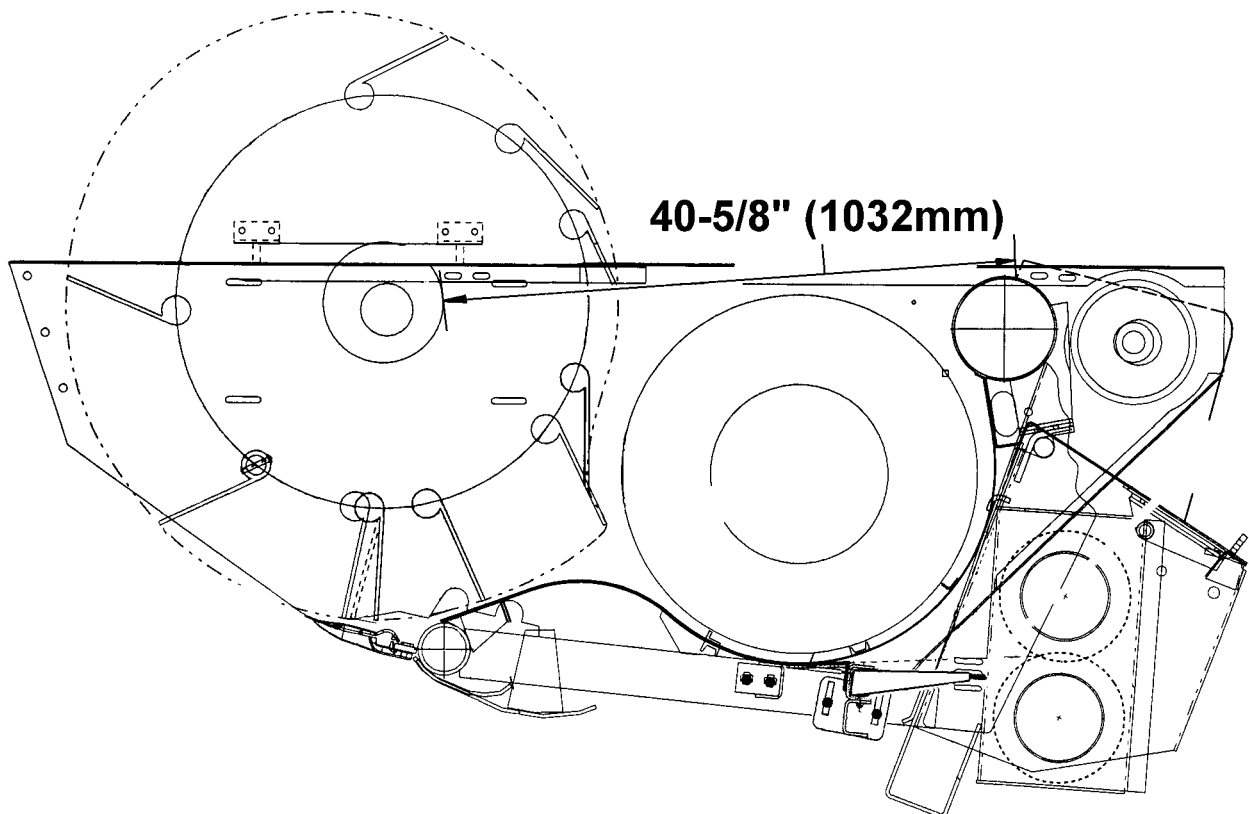
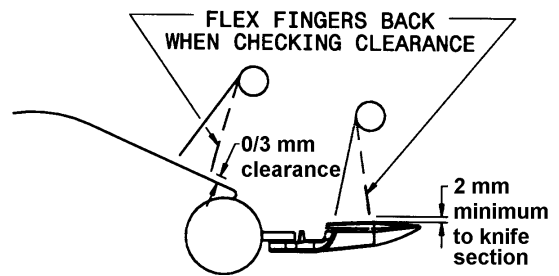
Should adjustment be required:

1. Loosen four bolts (A), both ends of reel.
2. To move reel forward, loosen nut (B) and turn nut (C) clockwise. To move reel rearward, loosen nut (C) and turn nut (B) clockwise. Repeat at other end of reel.
3. Tighten bolts (A) and nut (B) or (C).
4. Rotate reel slowly by hand, checking for interference.

IMPORTANT: Do not set reel too low. Flex the fingers back as shown to simulate crop load when checking clearance at guards and auger pan.



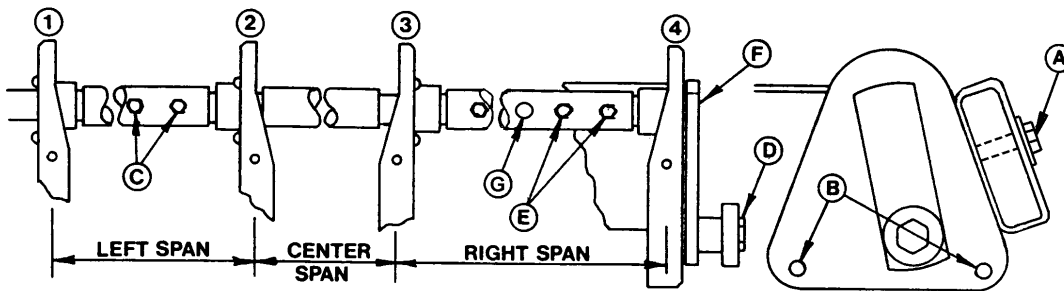
REEL FORE-AFT POSITION



MAINTENANCE/SERVICE

REEL AND REEL DRIVE (continued)

Replacing reel fingers - 922 & 933 Headers: Depending on location of fingers to be replaced, follow instructions below.



LEFT SPAN:

- Remove bat mounting bolts (A) and reel arm mounting bolts (B) at reel arm #1.
- Remove reel arm #1 complete with bearing.
- Replace fingers and reassemble.

CENTER SPAN:

- Remove bat mounting bolts (A) and reel arm mounting bolts (B) at reel arm #1.
- Remove bolts (C) connecting left hand and center finger bar sections.
- Remove complete left-hand finger bar assembly (including reel arm #1).
- Remove bat mounting bolts (A) and reel arm mounting bolts (B) at reel arm #2.
- Remove reel arm #2 complete with bearing.
- Replace fingers and reassemble.

IMPORTANT: When replacing hardware (C) and (E), ensure tapered end of locknut seats in countersunk hole in tube. Tighten 5/16" bolt at (C), (E) and (G) to 35 ft.lbs. (47 N-m).

RIGHT SPAN:

- Remove cam follower bearing bolt (D). (For access to bolt, remove cover over hole in cam, align bearing with hole.)
- Remove bat mounting bolts (A) and reel arm mounting bolts (B) at reel arm #4.
- Remove reel arm mounting bolts (B) at arm #3.
- Remove bolts (E) and (G) connecting cam arm to finger bar.
- Remove cam arm assembly (F), complete with reel arm #4.
- Replace fingers and reassemble.

IMPORTANT: When replacing bearing bolt (D), install distorted thread end of nut towards bolt head. Tighten to 125 ft.lbs. (170 N-m). Replace cover on cam.

Reel Speed - 912 Header

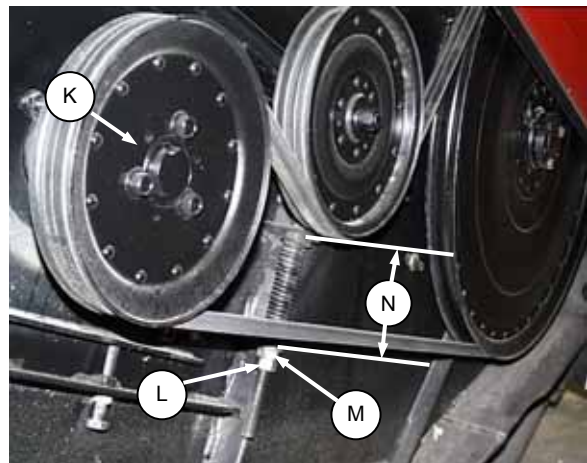
The reel drive is factory assembled for reel speed of 71 rpm. Reel speed may be increased to 80 rpm by changing pulley (K). The alternate pulley is available from your dealer.

NOTE: Reel speed may also be slowed to 63 rpm by changing the auger drive pulley at the left end of the header. This will also slow auger speed. See "Auger Speed - 912 Header" in this section for details.

Reel Drive Belt Tension - 912 Header

To adjust reel drive belt tension:

1. Back nut (L) away from nut (M).
2. Turn nut (M) to compress spring until dimension (N) is 4-3/8 inches (110 mm), measured from bottom of frame bracket to bottom of spring.
3. Tighten nut (L) against nut (M) to secure the position.



REEL DRIVE - 912 HEADER

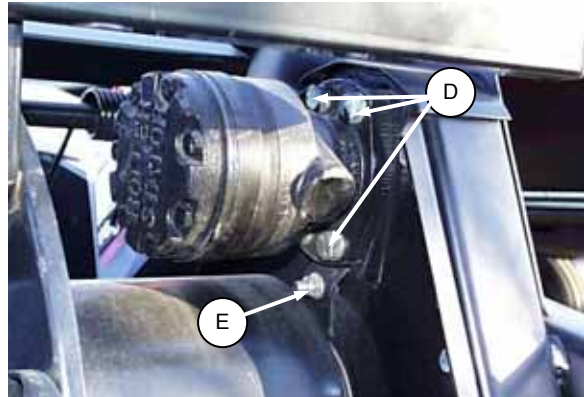
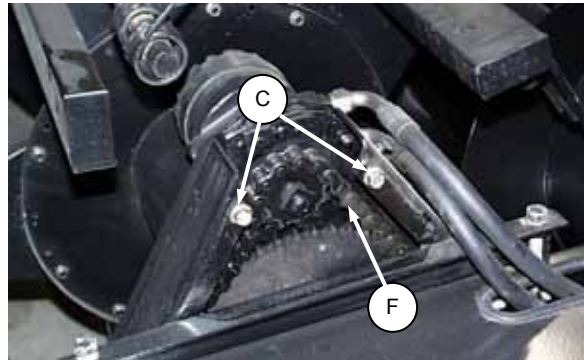
MAINTENANCE/SERVICE

REEL AND REEL DRIVE (continued)

Reel Drive Chain Tension – 922 & 933 Headers

To tighten reel drive chain:

1. Remove three bolts at (C) and remove drive cover.
NOTE: 1 bolt under L/H end sheet, 2 bolts (C) shown in picture.
2. Loosen four mounting bolts (D).
3. Tighten bolt (E) to increase chain tension until deflection at (F) is 1/4 to 3/8 inch (6 to 10 mm) maximum.
4. Tighten four mounting bolts (D).
5. Replace cover and secure with three bolts.



REEL DRIVE CHAIN ADJUSTMENT
922 & 933 HEADERS

Hydraulic Reel Drive - 922 & 933 Headers

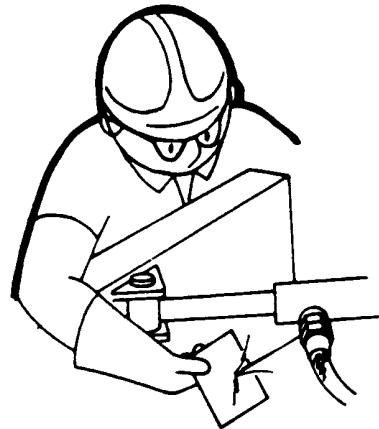
Check hydraulic hoses daily for signs of leaks.



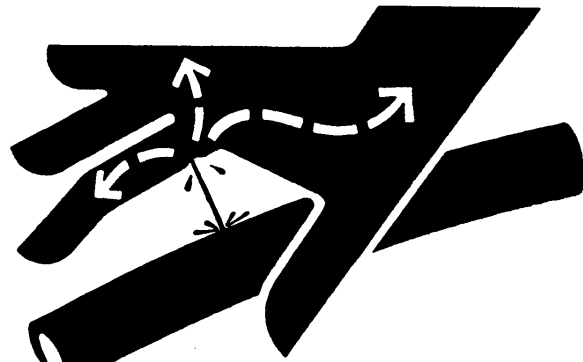
WARNING: Avoid high-pressure fluids. Escaping fluid can penetrate the skin causing serious injury. Relieve pressure before disconnecting hydraulic lines. Tighten all connections before applying pressure. Keep hands and body away from pinholes and nozzles, which eject fluids under high pressure. Use a piece of cardboard or paper to search for leaks. If ANY fluid is injected into the skin, it must be surgically removed within a few hours by a doctor familiar with this type of injury or gangrene may result.

IMPORTANT: Dust, dirt, water and foreign material are the major causes of hydraulic system damage. DO NOT attempt to service hydraulic system in the field. Precision fits require WHITE ROOM CARE during overhaul.

The header's reel drive hydraulic circuit requires no periodic maintenance. See "Hydraulic System" in the Maintenance/Service section of the Windrower Operator's Manual for total system care.



CHECK PROPERLY FOR LEAKS



AVOID HIGH PRESSURE FLUIDS

MAINTENANCE/SERVICE

AUGER AND AUGER DRIVE

Auger Position

The auger position has been factory set for proper stripper clearance. Auger/Stripper clearance should be checked periodically. For all conditions, the auger performs best when set as close as possible to all stripper bars without rubbing. This is especially important in grass and other crops which have a tendency to wrap. In alfalfa and other crops, component wear may cause clearances to become excessive, resulting in feeding problems and uneven windrows.

To position auger:

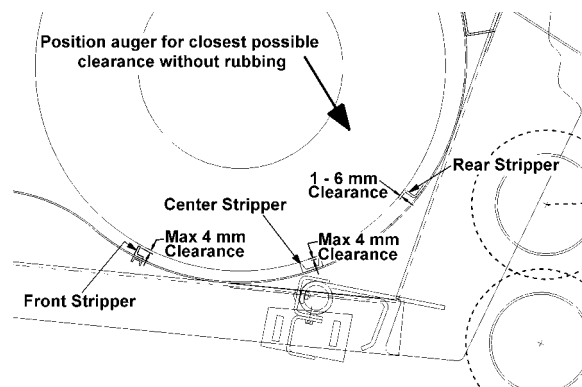
1. Lower auger and reposition to cradle it in the three sets of strippers.
2. Raise auger just enough to obtain clearance to strippers at the closest point as auger is rotated. Clearance should be maximum 4 mm at any point along length of front and center strippers. Stripper bar shims are available through your dealer.
NOTE: Front strippers are provided only on 912/922 Headers 14' & larger.
NOTE: On 933 Header position stripper bar extension on center and rear strippers for close auger clearance along full length of stripper.
3. Check that auger clears all strippers through full rotation with header up and header down.

Vertical adjustment

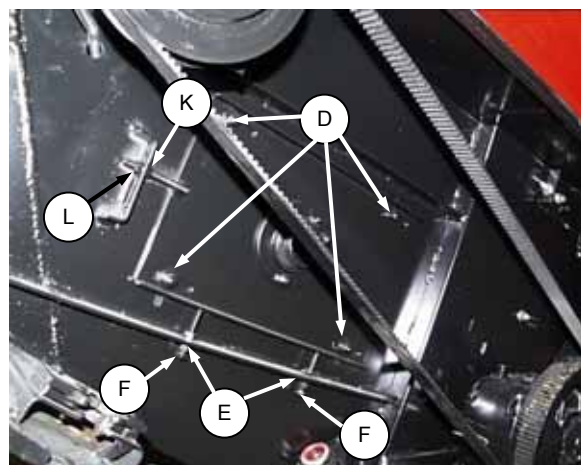
1. Loosen bolts (D), four per side.
2. Loosen nuts (E), two per side.
3. Loosen nuts (K) and (L), both sides.
4. Turn push bolts (F), two per side, to lower or raise auger.
5. Tighten nuts (E), (K), and (L) and bolts (D) to secure the position.

Fore-Aft Adjustment

1. Loosen bolts (D), four per side.
2. To move auger rearward, loosen nut (K) and turn nut (L) clockwise. To move auger forward, loosen nut (L) and turn nut (K) clockwise.
3. Repeat adjustment at other end of auger.
4. Tighten nuts (K), (L), and bolts (D) to secure the position.



AUGER CLEARANCE TO FLIGHTING



AUGER POSITION ADJUSTMENTS

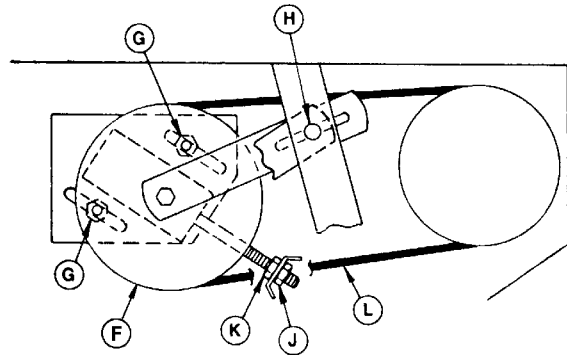
MAINTENANCE/SERVICE

AUGER AND AUGER DRIVE (continued)

Auger Speed - 912 Header

The auger drive is factory assembled for auger speed of 210 rpm. Auger speed may be slowed to 186 rpm by changing pulley (F). The alternate pulley is available from your dealer.

NOTE: Installing alternate pulley to slow auger speed will also slow reel speed from 71 rpm standard to 63 rpm.

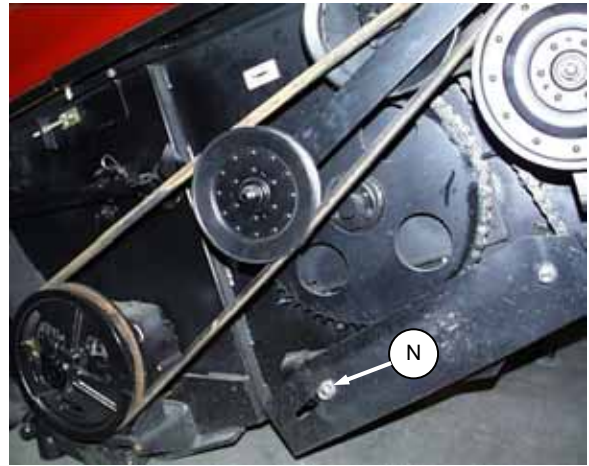


AUGER DRIVE BELT - 912 HEADER

Auger Primary Drive Belt - 912 Header

To adjust auger primary drive belt tension:

1. Loosen two nuts (G) at drive support plate.
2. Loosen nut (H) at mounting arm.
3. Back off jam nut (J) on adjuster bolt.
4. Turn nut (K) counter-clockwise to tighten auger drive belt until a force of 20 lbs. (92 N) deflects belt 1/2 inch at mid-span (L).
5. Tighten nuts (G), (H) and (J) to secure the position.
6. Check and adjust auger drive chain tension as required, (see below).



AUGER DRIVE CHAIN - 912 HEADER

Auger Drive Chain – 912 Header

To adjust auger drive chain tension:

1. Loosen nut (N).
2. Slide idler sprocket forward in slot until chain deflection is 1/4 inch (6 mm) at mid-span.
3. Tighten nut (N) to secure the position.

Auger Speed - 922 & 933 Headers

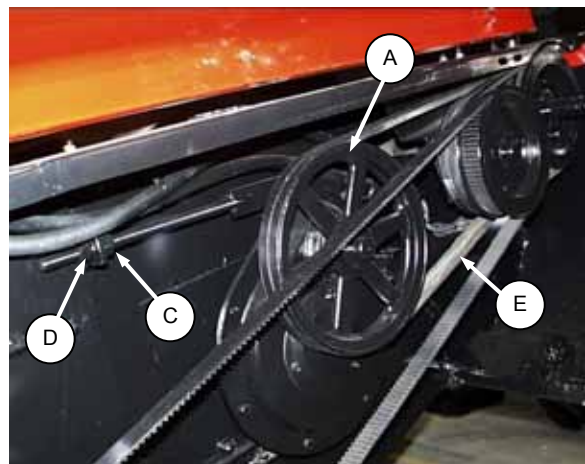
The auger speed is factory set at 205 rpm with a 9-3/4" (248 mm) O.D. pulley for the 922 Headers & 16' 933 Header and 170 rpm with a 11-3/4" (299 mm) O.D. pulley for the 12' & 14' 933 Grass Seed Headers.

The change in auger speed is accomplished by changing the driven pulley (A) at the auger gear drive. The alternate pulleys are available from your dealer.

Auger Drive Belt Tension - 922 & 933 Headers

To adjust auger drive belt tension:

1. Loosen jam nut (C) on adjuster bolt.
2. Turn nut (D) clockwise to tighten auger drive belt until a force of 12 lbs. (55 N) deflects belt (E) 1/2" (13 mm) at mid-span.



AUGER DRIVE BELT
922 & 933 HEADERS

NOTE: Adjustment of double sickle drive belts will require loosening the auger drive belt prior to the adjustment, and re-tightening afterwards.

MAINTENANCE/SERVICE

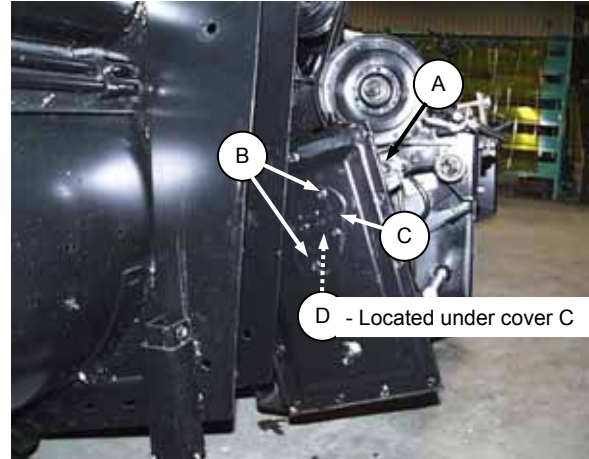
HAY CONDITIONER

Hay Conditioner Roll Timing

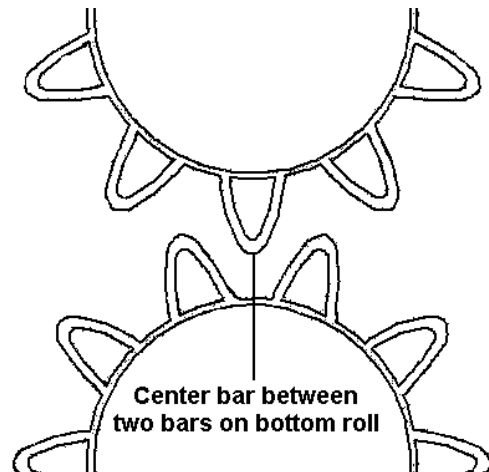
1. Minor corrections to roll timing can be made by loosening bolt (A) and rotating gearbox to correct roll timing.
2. Check for correct roll timing at R/H end of conditioner roll.
3. Retighten bolt (A).

NOTE: If above procedure does not result in proper roll timing proceed as follows:

1. Remove 4 bolts (B) and remove cover (C)
2. Loosen 6 bolts (D) at top roll hub (rotate top roll to access these bolts through slot in cover).
3. Secure bottom roll and rotate top roll to center top roll bar between bars on bottom roll.
4. Tighten 6 bolts (D).
5. Apply silicone sealant between cover plate and gearbox cover, and reinstall cover (C).



TIMING CONDITIONER ROLLS



CENTER TOP BAR BETWEEN TWO BARS ON BOTTOM ROLL

MAINTENANCE/SERVICE

HAY CONDITIONER

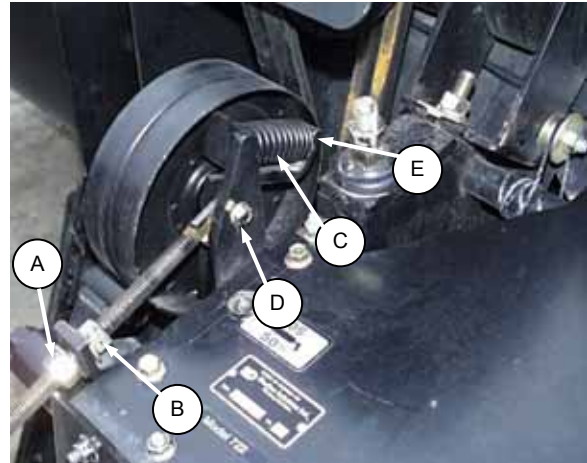
Hay Conditioner Drive Belt Tension

IMPORTANT: To prolong belt and drive life, maintain correct belt tension. When properly tensioned, coils on spring (C) must be fully compressed. Check belt tension every 50 hours, or weekly.

To adjust:

1. Loosen rear nut (A) on adjuster.
2. Turn nut (B) clockwise until spring coils (C) are compressed, then turn nut (B) an additional two turns for proper tension.
3. Tighten nut (A) to lock the position.

NOTE: Nut (D) must not be over tightened as assembly pivots at this point.

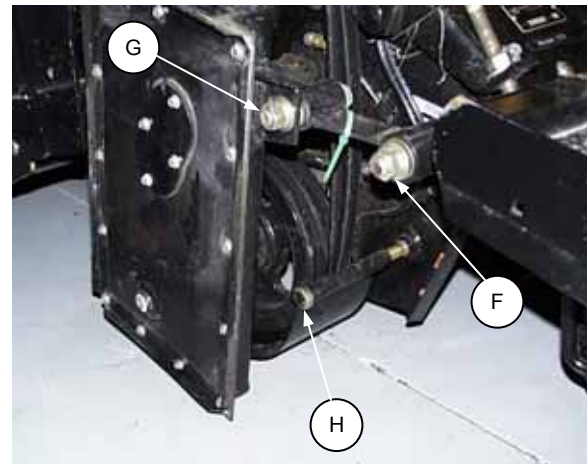


HAY CONDITIONER DRIVE BELT TENSION ADJUSTMENT

Replacing Hay Conditioner Drive Belts

It is not necessary to detach conditioner from header to replace the belts. Proceed as follows:

1. Never pry belt over pulley.
2. Loosen nut (B). Turn nut (A) to fully loosen the adjuster.
3. Apply rearward force on spring at (E), (pushing with wrench works well) to "pop" spring off of retaining nut. This allows full retraction of idler for belt removal and installation.
NOTE: Removing the spring-loaded idler allows easier belt removal and installation. If idler is removed, take note of hardware positioning for re-assembly.
4. To remove belt, loosen rear bolt (F) on link between conditioner frame and gearbox. Remove forward bolt (G) and pivot the link back and out of the way. Pivot the gearbox back to make sufficient clearance between header and box for belt removal.
5. Remove bolt (H) at lower shield and pivot shield down to allow removal of belt from lower driven pulley.
6. Install belt, reassemble shield, link and idler spring. Adjust belt tension as above.
7. Re-adjust belt tension after a short run-in period, (about 5 hours).



REMOVING / INSTALLING BELTS

MAINTENANCE/SERVICE

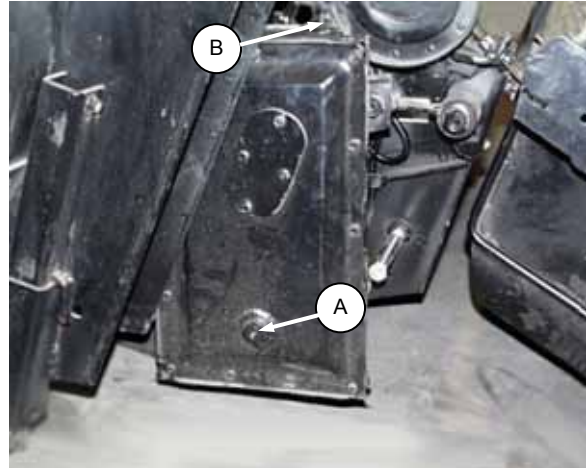
HAY CONDITIONER

Hay Conditioner Gear Case Lubricant

Check gear case lubricant level before first operation and every 100 hours thereafter.

To check:

1. With gear case approximately level, remove level plug (A).
2. Remove fill plug with breather (B).
3. Fill to level plughole. See "Recommended Lubricants" for specified gear lube and capacity of case.
4. Replace both plugs.



CHECK GEAR CASE LUBRICANT LEVEL

MAINTENANCE/SERVICE

MAINTENANCE SCHEDULE

The following maintenance schedule is a listing of periodic maintenance procedures, organized by service intervals. For detailed instructions, see the specific headings in Maintenance/Service section. Use "Recommended Fluids and Lubricants" as specified under that heading.

Service Intervals

The recommended service intervals are in hours of operation. Use the hour meter in the windrower cab to indicate when the next service interval has been reached.

IMPORTANT: Recommended intervals are for average conditions. Service the machine more often if operated under adverse conditions (severe dust, extra heavy loads, etc.).

Regular maintenance is the best insurance against early wear and untimely breakdowns. Following this schedule will increase machine life.

Where a service interval is given in more than one time frame, eg. "100 hours or Annually", service the machine at whichever interval is reached first.



CAUTION: Carefully follow safety messages given under "Service Procedures".

AT FIRST USE: See "Break-In Period" in Operation section.

10 HOURS OR DAILY

1. Grease cross-shaft center support bearing - double sickle headers.
 2. Oil sickle (except in sandy conditions).
 3. Check sickle sections, guards and hold-downs.
 4. Check hydraulic hoses for leaks.
-

25 HOURS

1. Grease sickle head(s).
-

50 HOURS

1. Grease reel finger tube bearings.
 2. Grease hay conditioner roll shaft bearings.
 3. Grease hay conditioner idler pivot.
 4. Grease auger drive jackshaft bearings. (912 Header)
 5. Check belt tensions.
-

100 HOURS OR ANNUALLY *

1. Grease drive shaft support bearings.
2. Grease cross-shaft end support bearings - double sickle headers.
3. Grease reel shaft bearings.
4. Grease reel drive chain.
5. Grease auger shaft bearing.
6. Grease hay conditioner universal shaft.
7. Grease gauge roller bearings (Option).
8. Check wobble box(es) mounting bolt torque.
9. Check wobble box(es) lubricant level.
10. Check hay conditioner gear case lubricant level.

* It is recommended that Annual Maintenance be down prior to start of operating season.

END OF SEASON: See "Storage Procedure" in Operation section.

1000 HOURS OR 3 YEARS

1. Change wobble box(es) lubricant.

MAINTENANCE RECORD

Header Serial No.

Hay Conditioner Serial No.

Combine this record with Windrower Maintenance Record for "complete unit" service.
See Maintenance/Service section for details on each procedure. Copy this page to continue record.

(D) - Double Sickle Headers Only

(O) - Optional Equipment

ACTION:	✓ - Check	⬇ - Lubricate	▲ - Change
Hour Meter Reading:			
Serviced By:			
Maintenance Procedure			
BREAK-IN	See "Break-In Period" in Operation section for checklist.		
10 HOURS OR DAILY			
⬇ Cross-Shaft Cntr. Bearing (D)			
⬇ Sickle Assembly			
✓ Sections, Guards, Hold-downs			
✓ Hydraulic Hoses			
25 HOURS			
⬇ Sickle Head(s)			
50 HOURS			
⬇ Reel Finger Tube Bearings			
⬇ Cond. Roll Shaft Bearings			
⬇ Conditioner Idler Pivot			
⬇ Auger Jackshaft Brgs. (912)			
100 HOURS OR ANNUALLY			
⬇ Drive Shaft Support Bearings			
⬇ Cross-Shaft End Bearings (D)			
⬇ Reel Shaft Bearings			
⬇ Reel Drive Chain			
⬇ Auger Shaft Bearing			
⬇ Gauge Roller Bearings (O)			
⬇ Conditioner Universal Shaft			
✓ Wobble Box Bolt Torque			
✓ Wobble Box Lubricant Level			
✓ Cond. Gear Case Lube Level			
STORAGE	See "Storage Procedure" in Operation section for checklist.		
1000 HOURS OR 3 YEARS			
▲ Wobble Box Lubricant			

TROUBLESHOOTING

<u>SYMPTOM</u>	<u>PROBLEM</u>	<u>SOLUTION</u>	<u>REF.</u>	
Excessive breakage of sickle sections or guards.	Cutterbar operating too low in stony conditions.	Raise cutterbar, using skid shoes or gauge rollers.	26	
	Header float is set too heavy.	Adjust float spring for lighter float.	27*	
	Bent or broken guard.	Straighten or replace.	46	
	Header angle too steep.	Flatten header angle.	27*	
Sickle back breakage.	Worn sickle head pin and/or drive arm.	Replace.	45	
	Worn sickle sections.	Replace sections, or install new knife.	45	
	Worn guards.	Replace guards.	46	
	Sickle hold-downs not adjusted properly.	Adjust hold-downs so sickle works freely, but still keep sections from lifting off guards.	46	
	Bent or broken guard.	Straighten or replace.	46	
	Ragged and uneven cutting of crop.	Sickle sections or guards are worn or broken.	Check and replace all worn and broken cutting parts.	44
Sickle speed on low speed. (922 & 933)		Install pulley for high-speed sickle. (922 & 933)	48	
Header angle too flat.		Increase header angle to tilt header so tines are closer to ground.	*	
Reel fingers not lifting crop properly ahead of sickle.		Increase finger pitch aggressiveness.	25	
Reel speed too slow.		Increase reel speed.	24	
Sickle hold-downs not adjusted properly.		Adjust hold-downs so sickle works freely, but still keep sections from lifting off guards.	46	
Cutting edge of guards not close enough or parallel to sickle sections.		Align guards.	46	
Underside of guard plugged with soil.		Clean underside of guard, flatten header angle.	27	
Loose sickle drive belt.		Adjust sickle drive belt tension.	49	
Reel tines too high off cutterbar.		Adjust reel position for closer tine clearance to cutterbar.	51	
Ground speed too fast.		Decrease ground speed.	23	
Long stubble.		Cutterbar too high.	Raise end skid shoes or gauge rollers.	26
		Ground speed too fast.	Decrease ground speed	23
		Reel speed too slow.	Increase reel speed.	24
	Reel tines not lifting crop properly.	Increase header angle to tilt header so tines are closer to ground.	*	
	Guard angle too flat	Increase guard angle	*	
	Header flotation too light.	Decrease header float	*	

* - Also see your Windrower Tractor Operator's Manual.

TROUBLESHOOTING

<u>SYMPTOM</u>	<u>PROBLEM</u>	<u>SOLUTION</u>	<u>REF.</u>	
Excessive header vibration.	Soil build-up on conditioner rolls.	Remove soil build-up	---	
	Sickle not operating at recommended speed.	Check engine speed of windrower.	*	
	Loose or worn sickle head pin or drive arm.	Tighten or replace parts.	45	
	Excessive worn knife section or guards.	Replace sickle.	45	
Sickle plugging.	Loose sickle drive belt.	Adjust belt tension.	49	
	Dull or broken sickle sections.	Replace.	44	
	Bent or broken guards.	Align or replace.	46	
	Improper sickle hold-down adjustment.	Adjust hold-down so sickle is held against guard cutting surface.	46	
	Reel fingers not lifting crop properly ahead of sickle.	Increase finger pitch aggressiveness.	25	
	Header float too heavy.	Adjust float springs for lighter float.	*	
	Mud or dirt build-up on cutterbar.	Raise cutterbar by lowering skid shoes or gauge rollers.		26
		Flatten header angle.		*
		Adjust float springs for lighter float.		*
		Ineffective cutting of crop.	Install stub guards and set hold downs for close clearance.	47
Reel wrapping in tangled and weedy crops causing improper reel delivery.	Reel speed too fast.	Reduce speed of reel to allow weedy crops to feed into auger properly.	24	
	Reel position does not suit conditions.	Position reel downward as close as possible to knife and pan.	51	
	Lean bar not leaning crop away from reel.	In tall crops, install lean bar extensions (part of tall crop kit).	66	
Reel carrying crop over causing improper reel delivery.	Reel speed too fast.	Reduce reel speed so crop will not carry over top of reel. Reel should turn just enough faster than ground travel so the crop feeds up auger pan and into auger.	24	
	Incorrect reel position.	Position reel rearward, as close as possible to auger and downward as close as possible to knife and pan.	---	
Auger carrying crop over back onto reel.	Dirt build up to auger stripper bars.	Clean out dirt accumulation at auger strippers.	---	

* - Also see your Windrower Tractor Operator's Manual.

TROUBLESHOOTING

<u>SYMPTOM</u>	<u>PROBLEM</u>	<u>SOLUTION</u>	<u>REF.</u>
Auger carrying crop over back onto reel (continued).	Auger speed too fast.	Reduce auger speed. Obtain larger gearbox pulley from dealer.	55
	Excessive Auger/Stripper clearance.	Reposition auger to proper clearance to strippers.	54
Reel will not turn.	Control(s) set at 0 (922 & 933).	Activate reel speed control.	*
	Quick couplers not properly connected.	Check coupler connections.	*
	Reel drive chain disconnected.	Connect chain.	52
Max reel speed too slow.	One reel drive coupler not properly connected.	Check coupler connections.	*
	Tall crop hairpinned at leanbar, causing reel to stall.	Install tall crop kit with lean bar extensions.	66
Reel speed is uneven in heavy crop.	Reel speed too slow.	Increase reel speed.	24
	Reel tines hitting ground.	Decrease header angle.	*
	Relief pressure too low.	Increase relief pressure.	*
	Relief valve malfunction.	Replace relief valve.	-
	Uneven cutting of crop.	See section "Ragged & Uneven Cutting"	61
Reel causes seed loss. (e.g. grass seed).	Reel speed too fast.	Adjust flow control on tractor.	*
	Header angle too steep, causing tines to contact ground.	Flatten header angle, and check header float.	27*
	Reel not correctly positioned.	Lower reel speed, move reel rearward, as close as possible to auger, and downward as close as possible to knife and pan.	25
Auger will not turn.	Loose belt.	Tighten auger drive belt.	55
Header lift insufficient.	Low relief pressure.	Increase relief pressure.	*
Auger carries crop around back and forward over top of auger.	Dirt build up on auger pan at stripper bars and on hay conditioner feed pan.	Remove all dirt build up in header.	---
	Auger/Stripper bar clearance is too great.	Reposition auger to close clearance with stripper bars.	54
	Auger speed too fast.	Reduce auger speed by changing drive pulley.	55
	Delivery of crop into hay conditioner from conditioner feed pan is too high.	Lower feed pan rock drop tines.	30
	Ineffective crop stripping action beneath auger.	Install long (full length) front stripper.	28
Header suddenly stops turning.	Auger and or hay conditioner plugged.	Turn mechanism in reverse with unplug wrench to remove wad.	35

* - Also see your Windrower Tractor Operator's Manual.

TROUBLESHOOTING

<u>SYMPTOM</u>	<u>PROBLEM</u>	<u>SOLUTION</u>	<u>REF.</u>
Hay conditioner rolls will not turn.	Obstruction or wad in conditioner rolls.	Turn mechanism in reverse and remove wad.	35
	Drive belt too loose.	Tighten conditioner belt.	57
Auger is excessively end-feeding hay to conditioner rolls.	Crop is not being distributed evenly to conditioner.	Remove auger fighting deflectors.	28
		Remove outboard sets of rubber fingers on auger.	28
		Install longer "L" channel front strippers.	28
		Install center stripper extensions.	28
		Reposition auger for closest clearance to front and center stripper bars.	54
Auger is excessively center-feeding hay to conditioner rolls.	Crop is not being distributed evenly to conditioner.	Install outboard finger assemblies mounted to auger.	28
		Install shorter "C" channel front strippers.	28
		Remove center stripper bar extensions.	28
		Install auger fighting deflectors.	28
		Reduce auger speed.	55
Over-conditioning of crop.	Excessive intermesh of hay conditioner rolls.	Reduce intermesh of rolls.	29
Under-conditioning of crop.	Insufficient intermesh of hay conditioner rolls.	Increase intermesh of rolls.	29
Windrow too wide or too narrow.	Windrow forming shields improperly positioned for desired width.	Position shields to width desired.	31
		For swath widths wider than 72" (1830 mm) install deflector fins on forming shield top cover.	32
Windrow uneven.	Unclean cutting due to sickles and/or guards excessively worn.	Replace sickles and guards.	45
	Sickle hold-downs incorrectly set causing poor cutting.	Adjust hold-downs.	46
	Excessive dirt build-up in front of auger and along stripper bars.	Remove dirt accumulation in auger pans to clear stripper bars. Increase header flotation and reduce guard angle to prevent dirt being carried into header.	*
	Reel not clearing crop off of sickle.	Move reel down, closer to sickle.	25
	Crop hesitating on auger pans in front of auger, especially in short crops.	Move reel down, closer to knife and pan.	25/51
	Excessive clearance between auger and stripper bars	Move auger down and rearward for close clearance (1/8" [3 mm]) to front and center stripper bars	54
	Conditioner rolls set too close	Increase clearance between rolls.	29

* - Also see your Windrower Tractor Operator's Manual.

TROUBLESHOOTING

SYMPTOM	PROBLEM	SOLUTION	REF.
Windrow uneven cont'd.	Auger flighting is bent, has large nicks in OD, or is excessively worn causing poor feed across header.	Straighten flighting, repair or replace if excessively worn.	---
	Conditioner is center feeding in heavy crop	Remove center stripper bar extensions, or install auger flighting deflectors	28
		Remove longer "L" angle front stripper bars and replace with shorter "C" channel front strippers.	28
	Feed pan/Rock-drop tines not correctly positioned.	Position feed pan/rock drop tines to match crop volume.	30
	Auger pans and/or conditioner feed pan pushed down in front of or below auger	Raise pan to its original position.	---
	Lean bar too high in medium height crops.	Lower lean bar to 2/3 of crop height.	22
	Lean bar too low in tall crops	Raise lean bar or install lean bar extensions to prevent hair pinning over lean bar.	22/66
	Conditioner forming shield too low.	Raise forming shield.	31
	Forming shield rear deflector too low.	Raise rear deflector to mid-slot position.	31
	Forming shield fins incorrectly positioned.	Position fins parallel to side deflectors. Use fins <u>only</u> for swaths 6 ft. and wider.	32
Ground speed too fast.	Reduce ground speed.	23	
Windrow/Swath slow to dry.	Windrow uneven. Insufficient crop conditioning.	See previous section.	---
		Increase conditioner roll intermesh.	29
	Excessive crop conditioning. (Windrow/swath flat, instead of fluffy for optimum aeration.	Decrease conditioner roll intermesh.	29
	Windrow too narrow.	Increase windrow width. Use fins on conditioner forming shield for swaths wider than 72" (1830 mm).	31/32
	Forming shield set too low: rear deflector also too low.	Set forming shield in 5 th hole from bottom on rubber strap supports.	---
		Set rear deflector at approximately	32
	Crop not flowing uniformly across cutterbar, along auger into hay conditioner.	Inspect all components for proper adjustment.	---
		Check for soil build-up in header that may impede crop flow.	---
Check that conditioner feed pan is not pushed down and is properly feeding conditioner.		---	
	Ensure that fins on conditioner forming shield (only for 72" (1830 mm) and wider) are correctly positioned for smooth crop flow.	32	

** - See your Windrower Dealer

ATTACHMENTS

Consult your Windrower Dealer for details on the following Options and Attachments.

Tall Crop Kit

WholeGoods order number: B2539

Kit includes crop dividers and lean bar extensions. These can be used separately or together.

Crop dividers mount to lean bar for clean crop dividing and reel entry in tall crops. Left and right dividers are included in the kit.

The amount of crop "gathered" by the divider is adjustable. For the most aggressive gathering, mount the divider at the two forward holes (A) and position the U-bolt (B) farther inboard on the lean bar.

For the least aggressive gathering, mount the divider at the two rearward holes (C) and position the U-bolt (B) farther outboard on the lean bar.

Use minor adjustments of U-bolt position to achieve best results in specific conditions.

Crop dividers should be removed for flat-bed transport or for storage.

For very tall crops, lean bar extensions allow raising the lean bar to strike the upper portion of the crop, leaning it away from the header and exposing the stalks to the sickle.

Gauge Rollers (Optional to Skid Shoes)

Wholegoods order number: B2882

For stony conditions, gauge rollers allow higher cutterbar settings than skid shoes. This allows the operator to lower the header to the ground and let the gauge rollers follow ground contours. See "Cutting Height" in Operation section for adjustment of gauge rollers.

NOTE: The gauge roller kit includes special narrow outer skid shoes for use with gauge rollers. Standard width outer skid shoes (shown below) can not be used with gauge rollers.

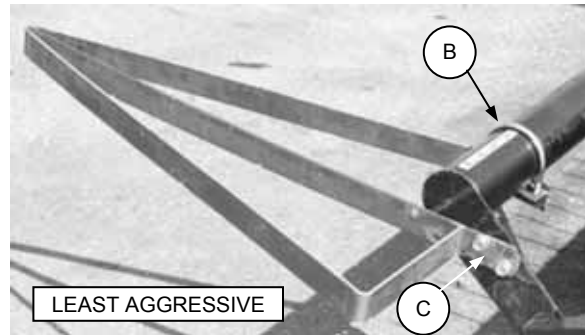
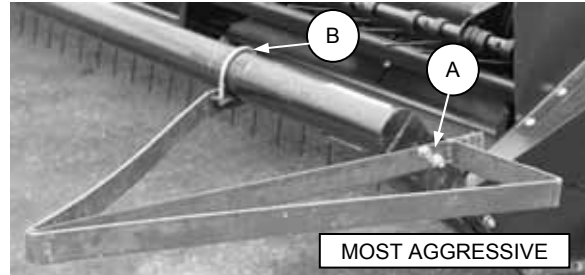
Adjustable Skid Shoes (Optional to Rollers)

Wholegoods order number: B2865

Where higher cutting height settings are not necessary, adjustable outer skid shoes perform the same function as gauge rollers, following ground contours to provide consistent cutting height. See "Cutting Height" in Operation section for adjustment of skid shoes.



ADJUSTABLE SKID SHOES



CROP DIVIDERS



LEAN BAR EXTENSIONS



GAUGE ROLLERS

ATTACHMENTS

Replacement Reel Bat Kits

Wholegoods order number:

Model 912 12' – B2890
14' – B2891

Model 922 14' – B2884
16' – B2885
18' – B2886

Model 933 12' – B2883
14' – B2884
16' – B2885

Consists of one complete bat assembly for ease of replacement.

Stub Guards

Wholegoods order number:

Model 912 12' – B2515 Model 922 14' – B2518
14' – B2516 16' – B2519
 18' – B2771

May be installed in place of standard guards for effective cutting in tough grass crops.



STUB GUARDS

Conditioned Windrow Side Delivery System

WholeGoods order number: B4258

For side delivery of conditioned forage crops out the right side of the windrower tractor. Allows forage chopper to pick up two conditioned windrows at the same time. A booklet containing Installation Instructions, Operating Instructions and Parts Listings is provided with the option package.



CONDITIONED WINDROW SIDE DELIVERY SYSTEM

Hydraulic Conditioner Roll Opener

WholeGoods order number: B4418

Allows clearing of plugged conditioner rolls by means of hydraulic cylinders that force the rolls open. Controlled "in cab" with reel lift switch on ground speed lever.



HYDRAULIC CONDITIONER ROLL OPENER

UNLOADING & ASSEMBLY

PREPARE TO UNLOAD



CAUTION: To avoid injury to bystanders from being struck by machinery, do not allow persons to stand in unloading area.

1. Move trailer into position and block trailer wheels.
2. Lower trailer storage stands.



CAUTION: Unloading equipment must meet or exceed specified requirements. Using inadequate equipment may result in vehicle tipping, chain breakage, or machine damage.

LIFTING VEHICLE REQUIREMENTS

Use a lifting vehicle with minimum 4600 lb. (2085 kg) lifting capacity.

CHAIN REQUIREMENTS

Use overhead lifting quality chain (1/2 in.) with minimum 5000 lb. (2270 kg) working load limit.

UNLOAD HEADER



CAUTION: Be sure header is secure on forks before moving away from load. Stand clear when lifting.

1. Drive lifting vehicle to position forks under frame tube and feed pan as shown at (A).
2. To prevent header from sliding back and contacting forklift mast, stack four 2 x 4's (two wide and two high) at rear of forks as shown at (B).
3. Remove hauler's tie down straps and chains.
4. Raise header and remove from trailer.
5. Take to storage or set-up area.
6. Set machine down securely on level ground, leaving forks in place. Check for shipping stand damage and damaged or missing parts.
7. Lower forks and back away from unit.
8. Remove any attachments wired under cutterbar.



PREPARE TO UNLOAD



UNLOAD HEADER

UNLOADING & ASSEMBLY

INSTALL SKID SHOES OR GAUGE ROLLERS

NOTE: Before lowering header, install either adjustable skid shoe or gauge roller option at cutterbar. Installation instructions are packaged with the option kit.

REMOVE LIFT PAN AND BRACES

Before lowering header, remove lift pan (B), two vertical braces (C), and brace (D). (Model 933 Header not exactly as shown.)

LOWER HEADER TO GROUND

NOTE: Before lowering header, remove linkage pins from header legs.

1. Drive lifting vehicle to approach header from its "underside".
2. Attach chain (A) to both ends of lean bar as shown.

IMPORTANT: See "Chain Requirements" in this section for minimum chain specifications. Also, chain length must be sufficient to provide a minimum 48 inches (1220 mm) vertical distance between forks and lean bar.

3. Raise lifting apparatus to take some of the weight off shipping stands and back up SLOWLY to lower the header.



CAUTION: Stand clear when lowering, as machine may swing.

SET HEADER SUPPORT STAND

1. Remove chain and move lifting vehicle to rear of header.
2. Attach chain to center link anchor on frame tube. Raise rear of header and lower header stand into position (E).

NOTE: In soft conditions use a 2x4 block under stand.

3. Lower header onto stand. Remove yellow shipping stands from header legs.

LEAN BAR

Lean bar is fully retracted for shipping. Reposition lean bar to an appropriate height. See "Lean Bar Position" in Operation section.

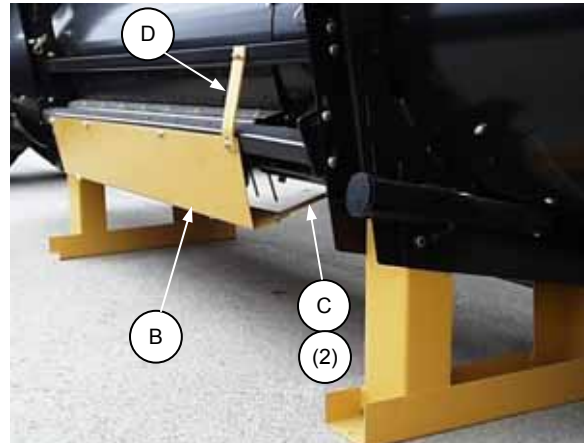
LIGHTS

Rotate lights from shipping position to field position.

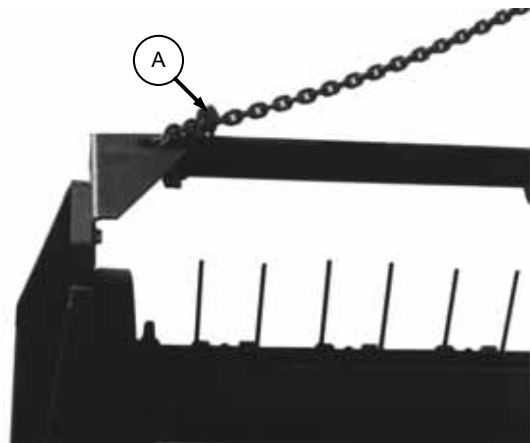
NOTE: Do not overtighten mounting hardware – lights must pivot out of the way of obstructions.

REPOSITION WOBBLE BOX BREATHER

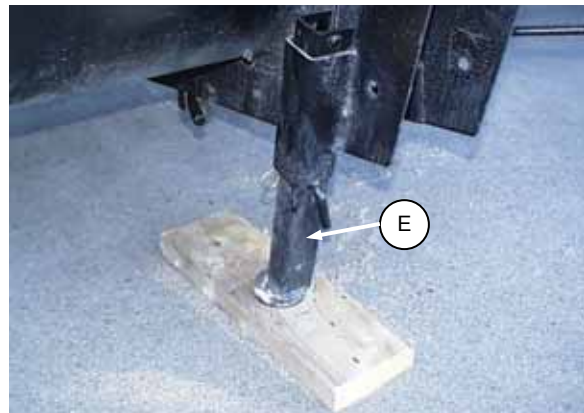
Swap positions of plug (F) and breather (G) at wobble box to position breather in rear hole.



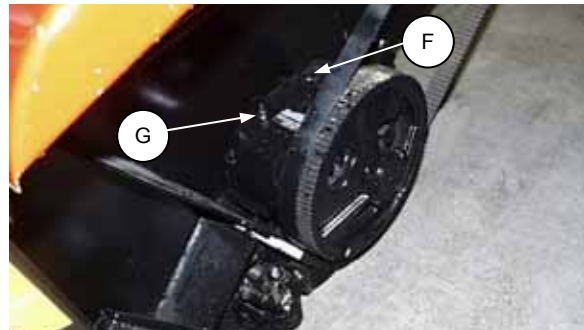
REMOVE LIFT PAN & BRACES



LOWERING HEADER



HEADER STAND – LOWERED & SHIPPING STANDS REMOVED



REPOSITION WOBBLE BOX BREATHER

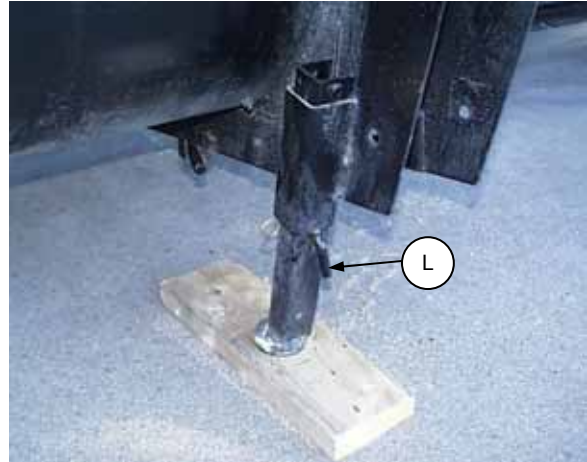
UNLOADING & ASSEMBLY

ATTACHING THE HAY CONDITIONER



WARNING: Avoid possible injury or death from fall of hay conditioner:

- Be sure header stand is secure, with L-pin (L) engaged and locked with hairpin. In soft conditions, use a 2 x 4 block under stand.
- Stand clear of hay conditioner whenever it is suspended from lift cables only. Keep hands clear of conditioner and header when winching.
- Be sure that upper mounting bolts are securely tightened before installing or removing lower mounting bolts. Hay conditioner weighs approximately 730 lbs. (330 kg) and will fall suddenly if lift system becomes disengaged.



HEADER STAND – LOCKED & SECURE

IMPORTANT: For ease of installation, detach header from tractor before attaching hay conditioner to header. See Windrower Tractor or Adapter Operator's Manual.

- To move conditioner, attach chain hooks to conditioner side frames as shown (or to U-bolt on top sheet if present) and lift with forklift. Position hay conditioner behind header, approximately in center of swath opening. Be sure mounting hardware (A) (5/8 mounting bolt, flatwasher, lockwasher and nut) is in place on both sides.

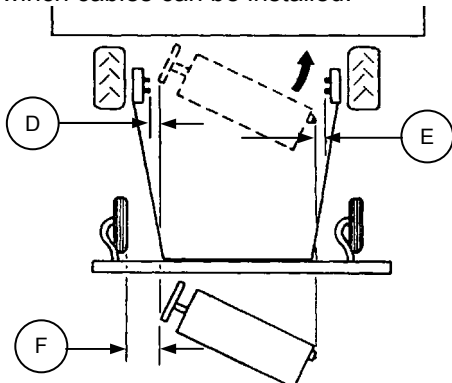


ATTACH CHAIN AT SIDE FRAMES OR U-BOLT

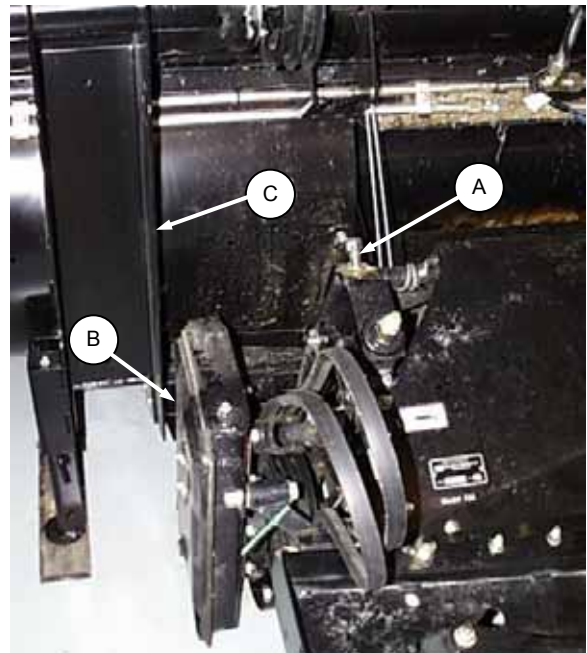
NOTE: Watch clearance at gear case (B) and L/H header leg (C).

If no means of moving the conditioner is available, use the tractor to position the header as shown below, then detach header from tractor.

- Position tractor and header in front of hay conditioner at angle shown below.
- Check alignment of hay conditioner with tractor to ensure sufficient clearance at (D), (E) & (F).
- Slowly drive tractor straight back so the hay conditioner is positioned as shown by dotted lines.
- Detach header from tractor and back away.
- Manually rotate right side of hay conditioner so winch cables can be installed.



CHECK CLEARANCES IF POSITIONING HEADER WITH TRACTOR



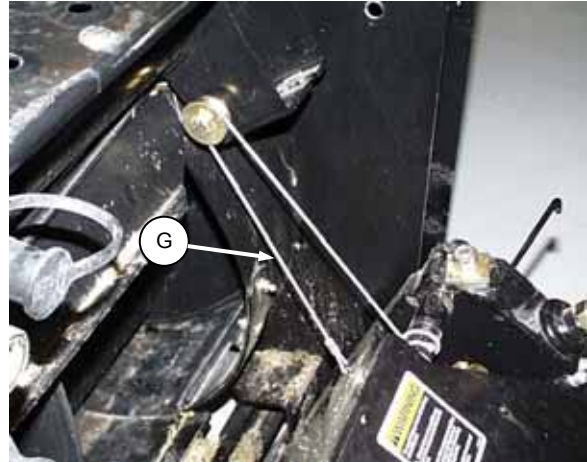
POSITION HAY CONDITIONER FOR INSTALLATION

UNLOADING & ASSEMBLY

ATTACHING THE HAY CONDITIONER (continued)

2. Attach winch cables (G) both sides.

NOTE: Ensure cable is correctly routed over pulley as shown, not crossing over.

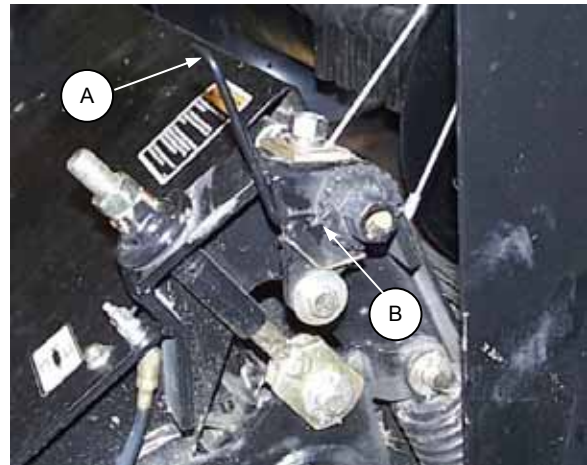


ATTACH WINCH CABLES

3. Standing clear of the hay conditioner, use a 1-1/8 inch wrench on winch nut (H). Keeping hands clear of conditioner, pull wrench upward to raise the conditioner into position. After each upward pull on wrench, push lever (A) forward to ensure winch pawl engages ratchet wheel at (B).

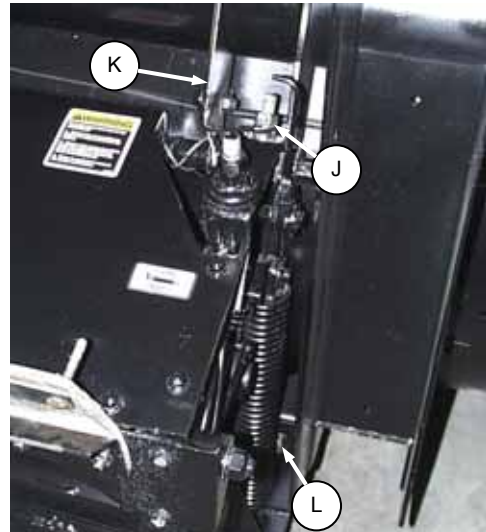
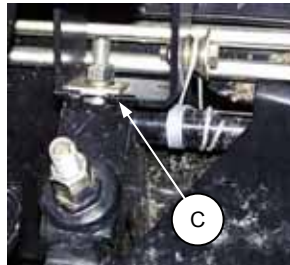


RAISE HAY CONDITIONER WITH WINCH



ENSURE WINCH PAWL ENGAGES WHEEL

4. As hay conditioner reaches mounted position, slide top mounting bolts (J) into header mounting brackets (K) with square washer, lock washer and hex nut on top.
NOTE: On left side, be sure square washer is captured behind welded stop (C) on mounting bracket, not resting on top.



INSTALL AND TIGHTEN MOUNTING BOLTS – TOP FIRST

5. **TIGHTEN BOLTS (J), BOTH SIDES, SECURELY BEFORE PROCEEDING TO STEP 6.** Use winch to take up any slack in cables once bolts (J) are tight.

6. Install and tighten lower mounting bolts (L). (5/8 x 1-1/2 carriage bolt [head to rear], flat washer, lock washer and hex nut.

UNLOADING & ASSEMBLY

ATTACHING THE HAY CONDITIONER (continued)

7. Install pulley (M) on header drive shaft at left leg.

NOTE: For ease of installation, rotate shaft so keyway is facing upwards.
Do not tighten split bushing locking bolts (A).

8. Install belt over pulley (M) on header drive shaft.

NOTE: Do not pry belt over pulley. Loosen or remove spring-loaded idler to allow installation. (If idler is removed, take note of hardware positioning for re-assembly.)

9. Align pulley (M) with driven pulley on conditioner roll drive, then tighten three bolts (A) to secure the position.

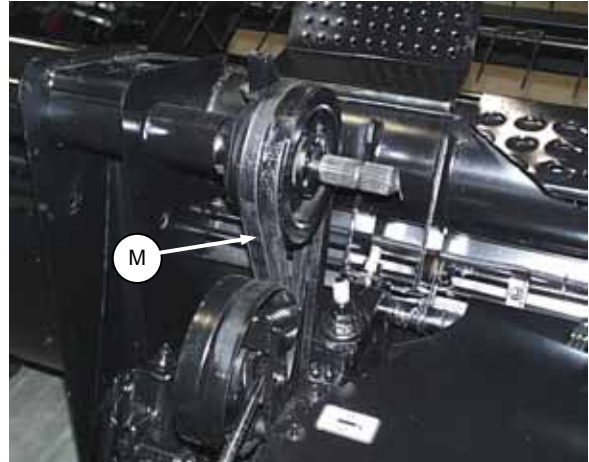
10. Adjust belt tension. See "Hay Conditioner Drive Belt" in Maintenance/Service section.

11. Assemble and attach conditioner forming shields to conditioner or tractor frame. See pages 73 and 74 for instruction.

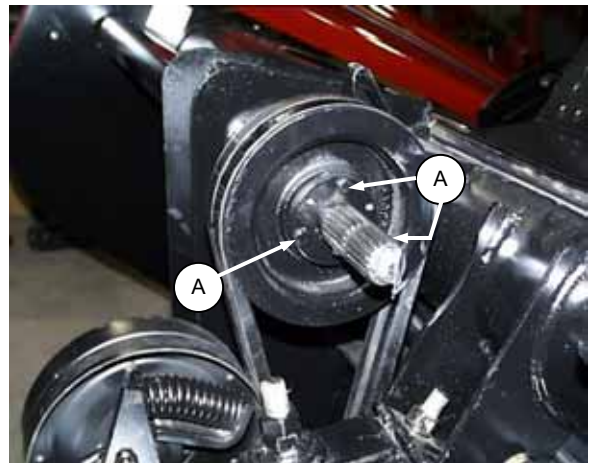
12. Attach header to tractor. See Windrower Tractor or Adapter Operator's manual.

13. Attach forming shield rear support straps to lower brackets at (N).

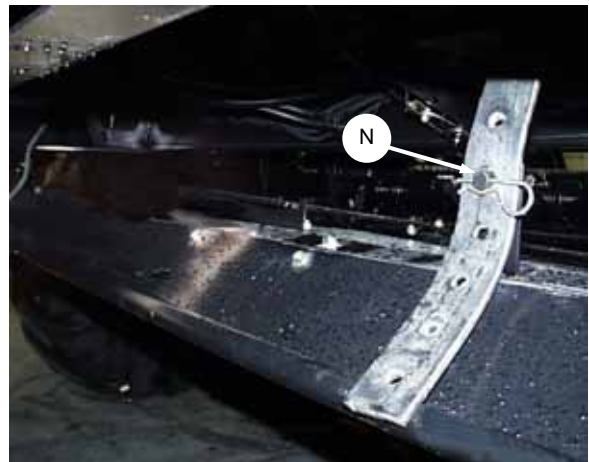
14. Adjust header float springs for additional weight. See Windrower Tractor or Adapter Operator's manual.



INSTALL PULLEY AND BELT



ALIGN CONDITIONER DRIVE PULLEY AND ADJUST BELT TENSION

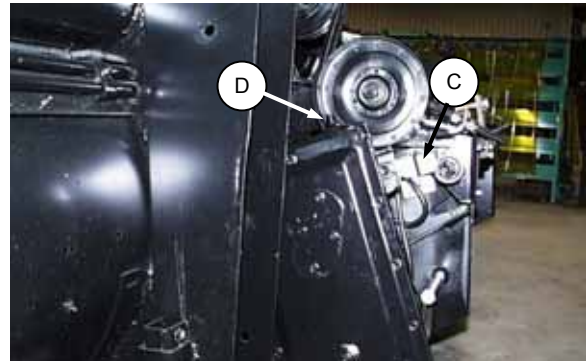


ATTACH FORMING SHIELD REAR SUPPORTS

UNLOADING & ASSEMBLY

INSTALL BREATHER IN DRIVE CASE

1. Untie plastic bag (C) and replace plug (D) in hay conditioner gear case with breather from bag.



INSTALL BREATHER IN
CONDITIONER GEAR CASE

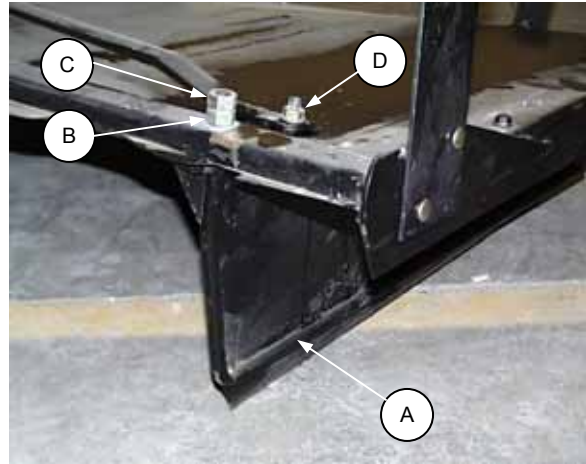
INSTALL SIDE DEFLECTORS AND FINS ON HAY CONDITIONER FORMING SHIELD ASSEMBLY

1. Insert threaded rod and welded bolt of side deflector through hole and notch at front corner of top shield.

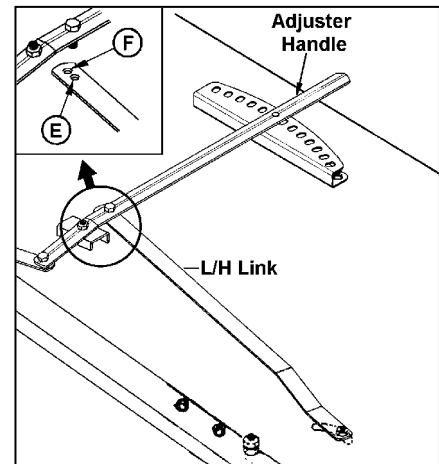
IMPORTANT: Do not confuse left and right side deflectors. Welded rod (A) must be positioned to the outside of the forming shield assembly.

2. Install two 5/8" hex nuts (B) and (C) on threaded rod.
3. Tighten nut (B) until snug.
4. Hold nut (B) with a wrench and tighten nut (C) securely against nut (B).
6. Install one 1/2" lock nut (D) to secure L/H link on the welded bolt.
7. Operate handle on top shield to adjust side deflector position. If handle is too stiff, loosen nuts (C) and (B) and readjust.

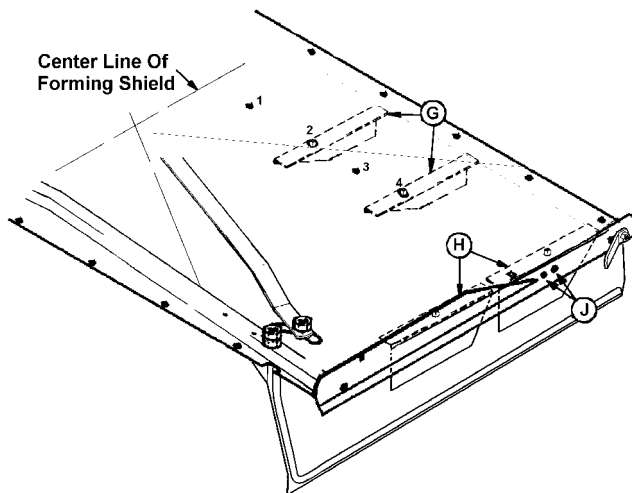
- NOTE:** With hardware securing left hand link in hole (E) as shown, side deflectors open symmetrically about the center of the conditioner rolls. Move hardware to hole (F) to allow side deflectors to open to maximum width. See "Hay Conditioner Forming Shields" in Operation section.
8. For laying swaths wider than 72 inches (1830 mm), remove deflector fins (G) from their storage position (H), and install in holes 2 & 4 on each side of forming shield centerline. Hardware for fins is stored at (J). Position fins approximately parallel to side



INSTALL SIDE DEFLECTORS



SIDE DEFLECTOR CONTROL
deflectors and tighten bolt securely.



NOTE: Depending on crop conditions, an additional 4 fins can be installed in remaining holes, in order to produce desired swath configurations. Fins are available from your dealer.

UNLOADING & ASSEMBLY

ATTACH HAY CONDITIONER FORMING SHIELDS

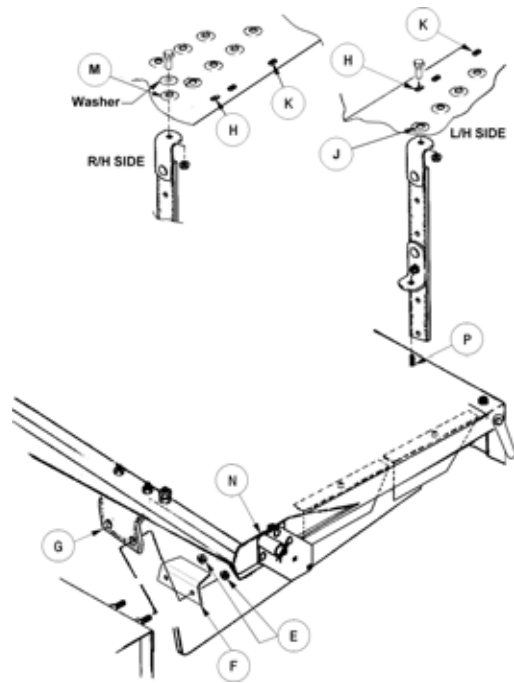
NOTE: If attaching header to a Bi-Directional Tractor, see 802 Adapter Operator's Manual for instructions.

Standard (Low) Position

Attach hay conditioner forming shields to conditioner top cover:

1. Remove nuts (E) and front hinge support (F) at rear of hay conditioner, both sides.
2. Attach forming shield by positioning rubber hinges (G) on bolts at rear of hay conditioner, and reassembling support (F) and nuts (E) as shown.
3. Attach rear supports to forming shield assembly, at the second bolt (P) from each end as shown.
4. Attach top bracket of rear support to front hole (H) in tractor floorboard, each side.

NOTE: If mounting to a XX52/XX52i tractor with the angle reduction kit, attach top bracket of rear support to large holes (J) & (M) in floorboards. Install hex head bolt (provided) from top of floor board with the one washer under bolt head to keep bolt from pulling through large hole (J) & (M).



ATTACH FORMING SHIELDS
STANDARD (LOW) POSITION

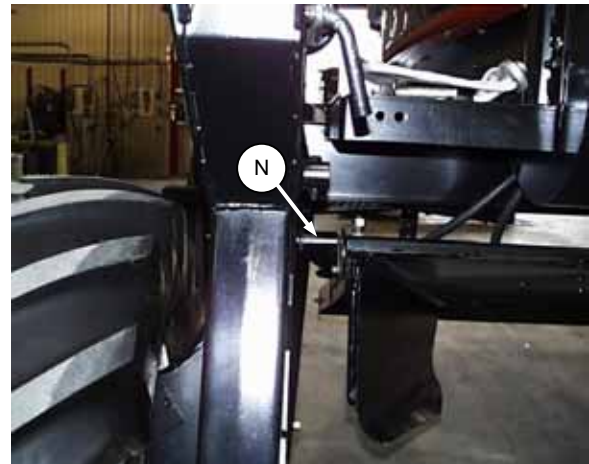
Optional (High) Position

Attach hay conditioner forming shields to tractor frame. This may be preferred if header is frequently removed from tractor:

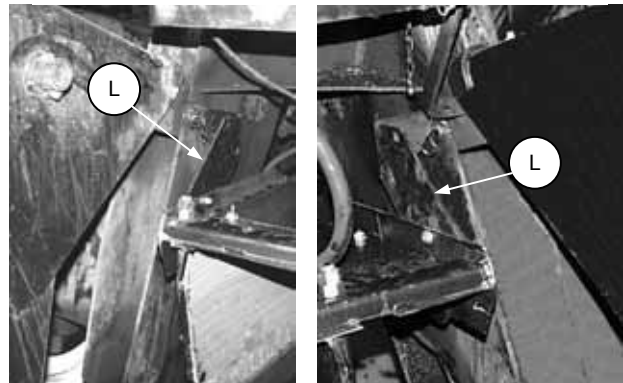
1. Attach side supports (N) (available from your Dealer) to forming shield assembly as shown in above illustration.
2. Mount forming shield assembly on top rear pin of tractor lift linkage, both sides. Secure with hair pin.
3. Attach rear supports to forming shield assembly, at the second bolt (P) from each end as shown in above illustration.
4. Attach top bracket of rear support to rear hole (K) in tractor floorboard, each side. See above illustration.

NOTE: If mounting to a XX52/XX52i tractor with the angle reduction kit, attach top bracket of rear support to large holes (J) & (M) in floorboards. Use one washer on each side of the floorboard to keep bolt and nut from pulling through large hole (J) & (M).

NOTE: For high clearance tractors (MacDon 9352/9352i, Westward 9352/9352i, Prairie Star 4952/4952i, Premier 2952/2952i), reposition side support brackets to extended position (L) as shown below.



ATTACH FORMING SHIELDS -
OPTIONAL (HIGH) POSITION
WITH XX40/XX50 MODEL TRACTORS



ATTACH FORMING SHIELDS - OPTIONAL
(HIGH) POSITION WITH XX52(i) TRACTOR

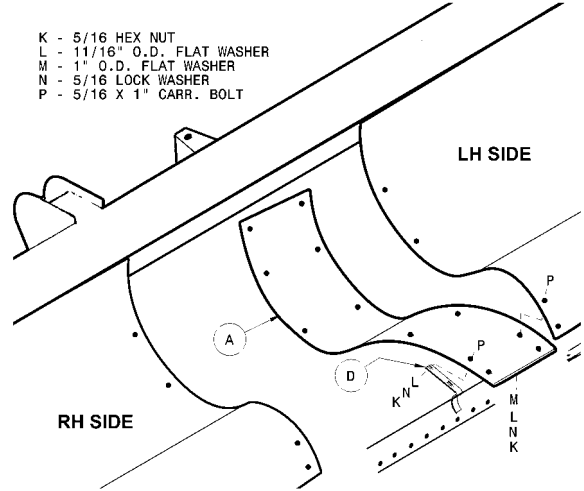
UNLOADING & ASSEMBLY

AUGER PAN EXTENSION INSTALLATION – GRASS SEED HEADER

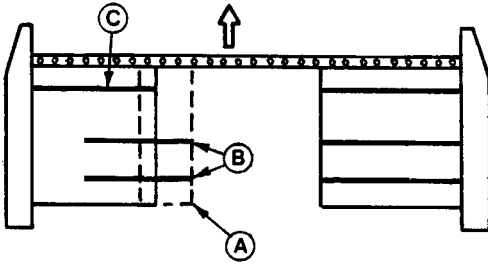
One pan extension is provided to reduce delivery opening from the maximum 68 inches (1720 mm) to 59 inches (1490 mm). A second pan extension may be ordered to further reduce opening to 50 inches (1260 mm).

NOTE: When installing the factory provided pan extension (A):

1. The pan is factory assembled to be installed on the **left** side of the delivery opening, with cutterbar support (D) at inboard side. Install hardware supplied as shown.
2. Move the two upper stripper bars (B) so end of stripper is flush with edge of pan extension. The lowest (most forward) stripper bar (C) should remain in standard pan position as shown. Re-adjust the upper stripper bars to provide 1/8" (3 mm) clearance to auger. See page 34.



INSTALLING AUGER PAN EXTENSION
GRASS SEED HEADER



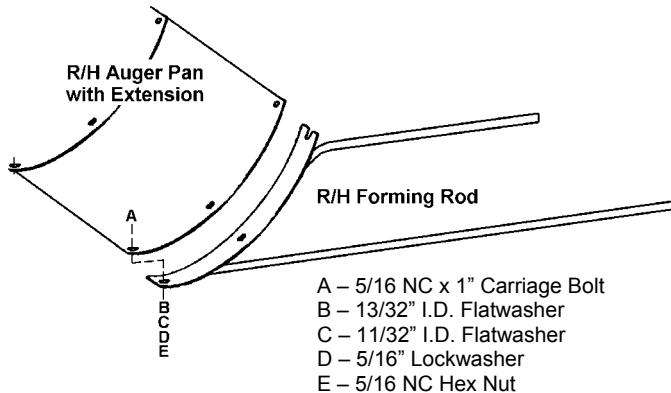
FORMING ROD INSTALLATION – GRASS SEED HEADER

Install forming rods, placing hardware as shown. (3 places per side)

NOTE: Longer rod goes to bottom.



FORMING RODS



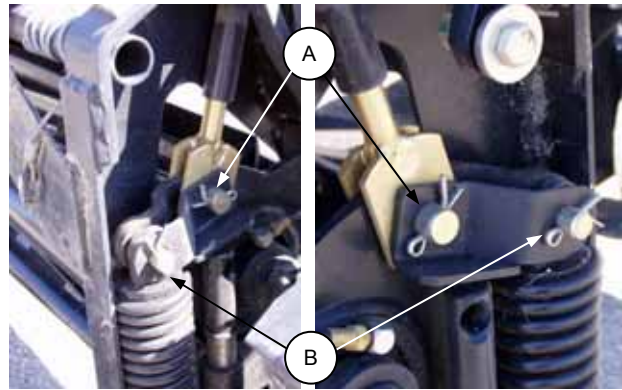
UNLOADING & ASSEMBLY

OPTIOAL HYDRAULIC CONDITIONER ROLL OPENER INSTALLATION INSTRUCTIONS

NOTE: If Hydraulic Roll Opener Kit is used in combination with the Double Windrow Attachment, install Hydraulic Reel Fore-Aft Package (B2960 Base Kit plus B2961 Fore-Aft Completion Kit) onto tractor to operate Double Windrow Attachment delivery deck

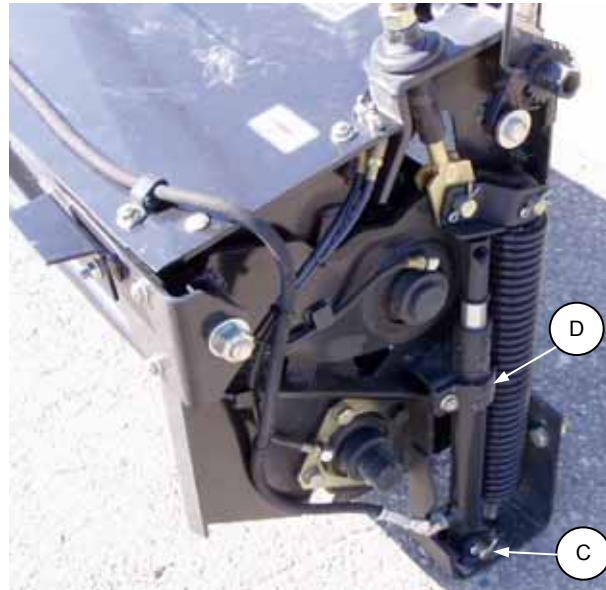
INSTALLATION:

1. Remove existing spacer washers at (A) and (B) and install top roll brackets using existing clevis and cotter pins. Left and right brackets are different. Position as shown.



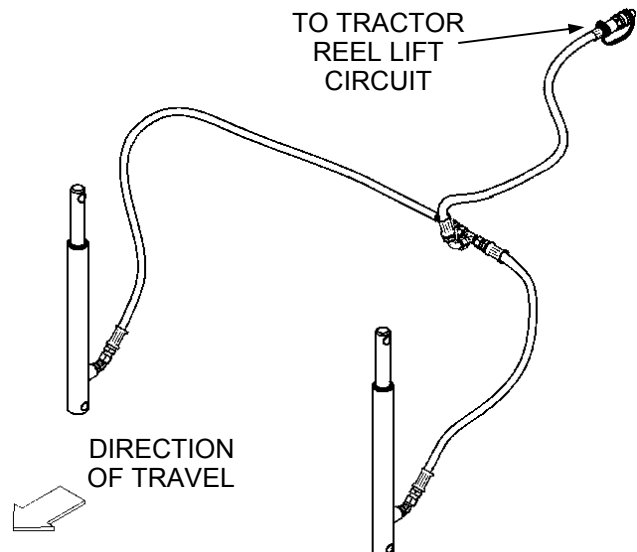
LEFT RIGHT
INSTALL TOP ROLL BRACKETS

2. Attach cylinders at sides of conditioner frame. Secure barrel end to clevis at bottom frame support with 5/8 x 2.28 clevis pin (C) and cotter pin. Install cylinder retainer brackets (D) with 3/8 x 1 carriage bolt and smooth flange lock nut.



INSTALL CYLINDERS

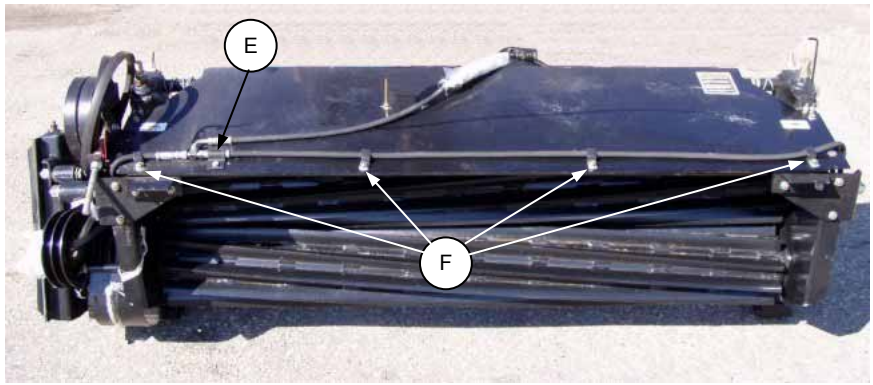
3. Lay hose and fitting assembly on conditioner as shown. Connect hoses to cylinders with 45° fittings pointing up and back as shown.



UNLOADING & ASSEMBLY

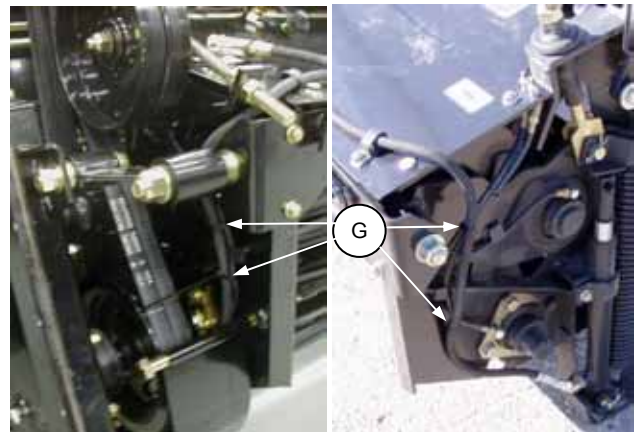
INSTALLATION (continued):

4. Install one clamp (E) with 3/8 x 1 inch carriage bolt and smooth flange lock nut.
5. Install four clamps (F) with 3/8 x 3/4 carriage bolt, 13/32 flat washer and smooth flange lock nut. (Install bolts with heads down. Install washer between clamp and nut.)

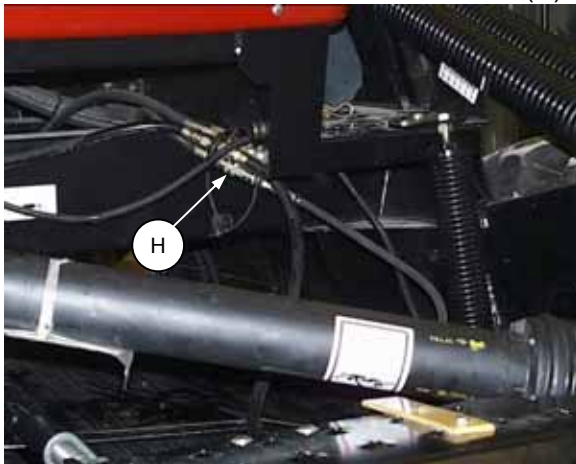


HOSE CLAMPS

6. Tie cylinder hoses to existing lube hoses with plastic ties (G). At left side, ensure that hose clears all moving parts.
7. Connect the hose from the roll opener cylinders to the reel lift circuit on the windrower tractor at (H).



LEFT RIGHT
SECURE HOSES WITH PLASTIC TIES

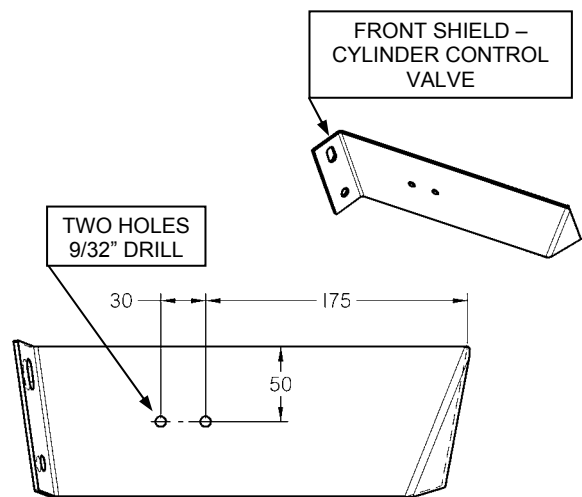


CONNECT TO TRACTOR REEL LIFT

8. Install electrical harness provided with kit onto tractor as follows:

NOTE: Installation of this harness prevents an operator from continuing operation with the conditioner rolls open, or unknowingly extending cylinders by inadvertently pressing the roll opener switch while running the header. The new wiring causes the rolls to close automatically (if open) when the header drive is engaged.

 - The kit harness relay block mounts onto the front shield for cylinder control valve at right side of tractor. If holes are not present in shield, drill holes at dimensions shown at right. Also see photo next page, top right.



ADD HOLES TO SHIELD IF NOT PRESENT
(LOCATION DIMENSIONS IN mm)

UNLOADING & ASSEMBLY

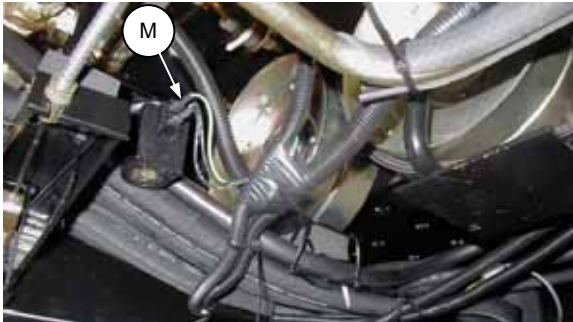
INSTALLATION:

8. Install electrical harness (continued):

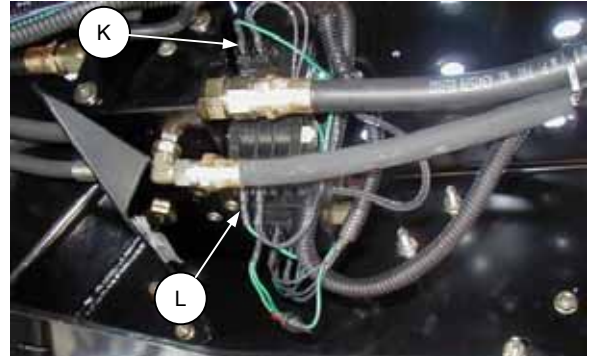
- Mount harness relay block onto front shield for cylinder control valve. Use two #8 x 3/4 inch truss head screws and lock nuts.
- Plug the two relays into harness block.
- Attach kit harness ground wire to shield mounting bolt at (J). **IMPORTANT:** Scrape paint off of both sides of bracket and off frame in area surrounding mounting bolt. Ground terminal, bracket and frame must have metal-to-metal contact to ensure proper ground.
- Route kit harness (as shown in bottom photo) between cylinder control valve and header control valve (located towards front/center of tractor). Leave harness unsecured until connections are made.
- Detach existing wire (K) **443 green** from top solenoid (S2) of cylinder control valve.
- Detach existing wire (L) **444 green** bottom solenoid (S3) of cylinder control valve.
- At header control valve, detach wire (M) **414 green** from solenoid.



MOUNT HARNESS BLOCK ON SHIELD & ATTACH GROUND WIRE

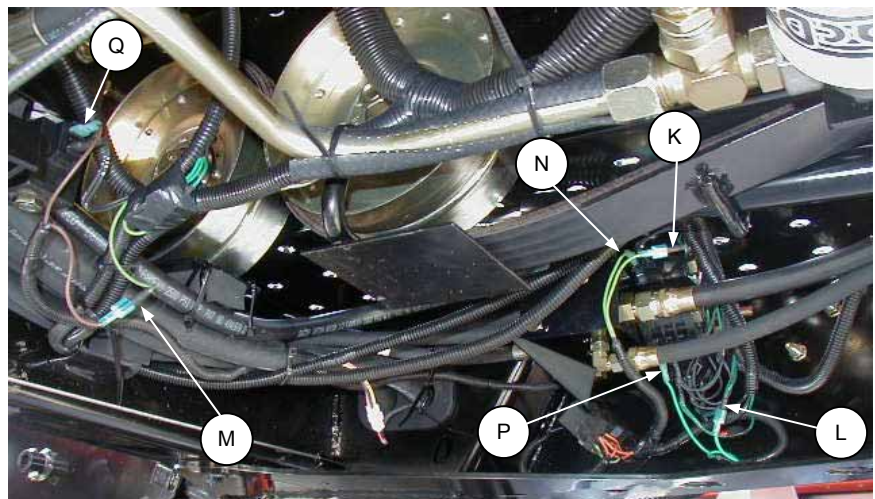


DETACH EXISTING WIRE 414 FROM SOLENOID AT HEADER CONTROL VALVE



DETACH EXISTING WIRES 443 & 444 FROM S2 & S3 AT CYLINDER CONTROL VALVE

- Connect kit harness wire (N) marked **443** to top solenoid (S2) and connect tractor harness wire (K) **443** (removed above) to kit harness as shown.
- Connect kit harness wire (P) marked **444** to bottom solenoid (S3) and connect tractor harness wire (L) **444** (removed above) to kit harness as shown.
- Connect kit harness wire (Q) marked **414** to header control valve solenoid and connect tractor harness wire (M) **414** (removed above) to kit harness.
- Use plastic ties provided to secure kit harness to existing hoses/harnesses to prevent contact with moving parts.



MAKE HARNESS CONNECTIONS AND SECURE ROUTING

UNLOADING & ASSEMBLY

INSTALLATION (continued):

9. Attach "WARNING" card (R) to hydraulic fitting at tractor reel lift coupler with plastic tie.



WARNING: If a draper header is attached to this tractor with wiring modification made as in step 8, remove one of the relays from kit harness relay block. This will prevent unexpected lowering of the reel when header drive is engaged. Save relay for re-use when auger header is reattached.



ATTACH WARNING CARD TO TRACTOR

OPERATION:

See page 35 for operating instructions for the hydraulic roll opener option

ADJUSTMENTS AND CHECKS

Perform the final checks and adjustments as listed on the "Pre-Delivery Checklist" (yellow insert) to ensure the machine is field-ready. Use the Operator's Manual for directions.

IMPORTANT: To avoid machine damage, before running header, check that no shipping dunnage has fallen down between the auger and feed pans.

INDEX

A	PAGE
Assembly	69
Attaching the Hay Conditioner.....	13
Attachments	66
Auger Drive Belt/Chain Tension	55
Auger Position	54
Auger Rocking Wrench	35
Auger Speed	55

B	
Bearing Installation.....	39
Break-In Period	18

C	
Capacities, Enclosed Drive Lubricant.....	39
Chemical Drying Agents.....	33
Climate and Topography Effects	33
Cutting Height.....	26

D	
Deflector Fins (Hay Conditioner Option)	32
Deflector, Rear (Hay Conditioner).....	31
Deflectors, Auger Mounted.....	28
Detaching the Hay Conditioner	16
Dividers, Tall Crop (Attachment)	66

F	
Feed Pan Position	30
Forming Rods - Grass Seed Special.....	34
Forming Rod Installation – Grass Seed Sp.	75
Forming Shields - Hay Conditioner	31
Forming Shields - Attaching	74

G	
Gauge Rollers (Option)	66
Gauge Rollers - Operation	26
Grass Seed Special Header.....	34
Greasing the Header and Hay Conditioner	40
Ground Speed	23
Guards, sickle (standard)	46
Guards, stub.....	47

H	PAGE
Hay Conditioner Drive Belt.....	57
Hay Conditioner Gear Case Lubricant	58
Haying Tips	33
Header Angle	27
Header Controls	21
Header Flotation.....	27
Header Lift Cylinder Stops	21
Hold Downs – Cast (Optional)	47
Hydraulic Conditioner Roll Opener (Att.)35/ 67/76	
Hydraulic Reel Drive	53

L	
Lean Bar.....	22
Lean Bar Extensions (Tall Crop Attachment)..	66
Lifting from Working Position	36
Lubricants, recommended.....	39

M	
Maintenance Record	60
Maintenance Schedule	59

O	
Operating Variables	22
Owner/Operator Responsibility	12

P	
Pan Extensions - Grass Seed Special	34
Pan Extension Installation - Grass Seed Sp. ..	75
Pre-Starting Checks - Annual	19
Pre-Starting Checks - Daily.....	20

R	
Raking and Tedding.....	33
Reel Bat Kits (Replacement).....	67
Reel Drive Belt	52
Reel Drive Chain Tension	53
Reel Fingers - Replacement	52
Reel Pick-Up Finger Pitch.....	25
Reel Position - Fore and Aft.....	51
Reel Speed	24
Reel Speed - Changing, 910 Header	52
Rock Drop Tine Position	30
Rocking Wrench - Use and Storage	35
Roll Intermesh - Hay Conditioner.....	29
Roll Tension Springs - Hay Conditioner	30
Roll Timing – Hay Conditioner	56

INDEX

S

Safety - Alert Symbol.....	5
- General Farm	7
- Header Lift Cylinder Stops	21
- Operate Correctly.....	20
- Pre-Starting Checks: Annual.....	19
- Pre-Starting Checks: Daily.....	20
- Service Procedures.....	38
- Signal Words.....	5
- Signs	6
- Storage Procedure.....	37
- Your Responsibilities	12
Serial Number Locations	4
Service Procedures	38
Sickle Drive Belt Tension (Double Sickle).....	49
Sickle Drive Belt Tension (Single Sickle)	49
Sickle Guards and Hold-Downs (Standard)	46
Sickle Guards and Hold-Downs (Stub).....	47
Sickle Head Needle Bearing Installation	45
Sickle Lubrication	44
Sickle Removal & Installation	44
Sickle Sections	44
Sickle Speed, Changing (Double Sickle).....	48
Sickle Storage (Spare Sickle).....	45
Sickle Timing (Double Sickle).....	48
Side Delivery System (Attachment).....	67
Skid Shoes (Option)	66
Skid Shoes - Operation	26
Specifications - Header and Conditioner.....	9
- Torque Values	10
Storage Procedure	37
Stripper Bars Adjustment - 933 Header	34
Stripper Bar Extensions.....	28
Stub Guards	47
Stub Guards (Option Kits)	67

T

Topsoil Moisture	33
Torque Specifications.....	10
Transporting the Header	36
Troubleshooting.....	61

U

Unloading the Header	68
Unplugging the Header or Conditioner.....	35

W

Windrow Characteristics.....	33
Windrow Forming Shields	31
Wobble Box Maintenance	50

Auger Header Pre-Delivery Checklist

Perform these checks and adjustments prior to delivery to your customer. See the Operator's Manual for adjustment details.



CAUTION: Carefully follow the instructions given. Be alert for safety related messages which bring your attention to hazards and unsafe practices.

HEADER: Serial Number _____

- Check for shipping damage or missing parts. Be sure all shipping dunnage is removed.
- Check tension of sickle drive belt(s) and auger drive belt. (P. 49 & 55)
- Check header flotation. (75 – 85 lbs. [335 – 380 N]) (P. 27 & Tractor or Adapter Operator's Manual)
- Check that header is level. (Tractor Operator's Manual)
- Grease all bearings and driveline(s). (P. 40)
- Reposition wobble box breather(s). (P. 69).
- Check wobble box(es) lube level. (P. 50)
- Check skid shoes / gauge wheels are evenly adjusted at a setting appropriate for first crop. (P. 26)
- Check lean bar is adjusted at a setting appropriate for first crop. (P. 22)
- Check hydraulic hose and wiring harness routing, ensuring adequate clearance with header up or down.
- Run machine for 15 minutes, STOP ENGINE and check drives for belt/idler alignment and heated bearings. Check sickle sections for discolouration caused by misalignment of components.
- Check lights are functional.

HAY CONDITIONER: Serial Number _____

- Grease all bearings (P. 40)
- Check conditioner gear case lube level. (P. 58)
- Install breather in gear case. (P. 73)
- Align conditioner drive pulley on header drive shaft and check conditioner drive belt tension. (P. 72 & 57)
- Adjust forming shields to position suitable for conditions. (P. 31)
- Check roll intermesh hardware is securely tightened. (P. 29)

Date Checked: _____

Checked by: _____