

D1X and D1XL Series Draper Header for Windrowers

**IMPORTANT: PAGE 33 HAS
BEEN UPDATED SINCE THIS
MANUAL WAS PUBLISHED.**

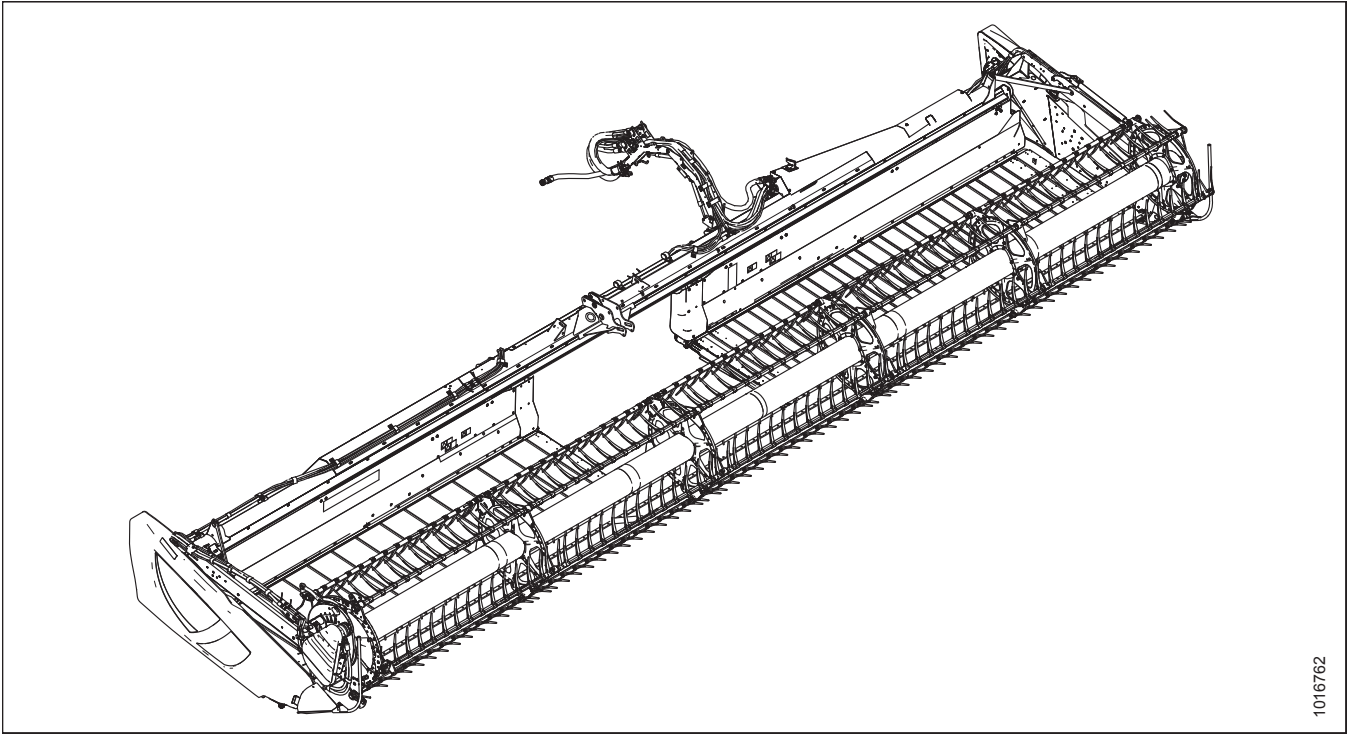
Operator's Manual

214397 Revision A

2018 Model Year

Original Instruction

D1XL Draper Header for Self-Propelled Windrowers



1016762

Published: April 2018

Declaration of Conformity



EC Declaration of Conformity

[1] **MacDon**

MacDon Industries Ltd.
680 Moray Street,
Winnipeg, Manitoba, Canada
R3J 3S3

[4] As per Shipping Document

[5] January 18, 2018

[2] Windrower Draper Header

[3] MacDon D1X and D1XL Series

[6] _____
Christoph Martens
Product Integrity

EN	BG	CZ	DA
<p>We, [1] Declare, that the product: Machine Type: [2] Name & Model: [3] Serial Number(s): [4] fulfils all the relevant provisions of the Directive 2006/42/EC. Harmonized standards used, as referred to in Article 7(2): EN ISO 4254-1:2013 EN ISO 4254-7:2009 Place and date of declaration: [5] Identity and signature of the person empowered to draw up the declaration: [6] Name and address of the person authorized to compile the technical file: Benedikt von Riedesel General Manager, MacDon Europe GmbH Hagenauer Straße 59 65203 Wiesbaden (Germany) bvonriedesel@macdon.com</p>	<p>Ние, [1] декларираме, че следният продукт: Тип машина: [2] Наименование и модел: [3] Сериен номер(а) [4] отговаря на всички приложими разпоредби на директива 2006/42/ЕО. Исползвани са следните хармонизирани стандарти според чл. 7(2): EN ISO 4254-1:2013 EN ISO 4254-7:2009 Място и дата на декларацията: [5] Име и подпис на лицето, упълномощено да изготви декларацията: [6] Име и адрес на лицето, упълномощено да състави техническия файл: Бенедикт фон Рийдезел Управител, MacDon Europe GmbH Hagenauer Straße 59 65203 Wiesbaden (Германия) bvonriedesel@macdon.com</p>	<p>My, [1] Prohlašujeme, že produkt: Typ zařízení: [2] Název a model: [3] Sériové(á) číslo(a): [4] splňuje všechna relevantní ustanovení směrnice 2006/42/EC. Byly použity harmonizované standardy, jak je uvedeno v článku 7(2): EN ISO 4254-1:2013 EN ISO 4254-7:2009 Místo a datum prohlášení: [5] Identita a podpis osoby oprávněné k vydání prohlášení: [6] Jméno a adresa osoby oprávněné k vyplnění technického souboru: Benedikt von Riedesel generální ředitel, MacDon Europe GmbH Hagenauer Straße 59 65203 Wiesbaden (Německo) bvonriedesel@macdon.com</p>	<p>Vi, [1] erklærer, at produktet: Maskintype [2] Navn og model: [3] Serienummer (-numre): [4] Opfylder alle bestemmelser i direktiv 2006/42/EF. Anvendte harmoniserede standarder, som henviser til i paragraf 7(2): EN ISO 4254-1:2013 EN ISO 4254-7:2009 Sted og dato for erklæringen: [5] Identitet på og underskrift fra den person, som er bemyndiget til at udarbejde erklæringen: [6] Navn og adresse på den person, som er bemyndiget til at udarbejde den tekniske fil: Benedikt von Riedesel Direktør, MacDon Europe GmbH Hagenauer Straße 59 D-65203 Wiesbaden (Tyskland) bvonriedesel@macdon.com</p>
DE	ES	ET	FR
<p>Wir, [1] Erklären hiermit, dass das Produkt: Maschinentyp: [2] Name & Modell: [3] Seriennummer (n): [4] alle relevanten Vorschriften der Richtlinie 2006/42/EG erfüllt. Harmonisierte Standards wurden, wie in folgenden Artikeln angegeben, verwendet 7(2): EN ISO 4254-1:2013 EN ISO 4254-7:2009 Ort und Datum der Erklärung: [5] Name und Unterschrift der Person, die dazu befugt ist, die Erklärung auszustellen: [6] Name und Anschrift der Person, die dazu berechtigt ist, die technischen Unterlagen zu erstellen: Benedikt von Riedesel General Manager, MacDon Europe GmbH Hagenauer Straße 59 65203 Wiesbaden bvonriedesel@macdon.com</p>	<p>Nosotros [1] declaramos que el producto: Tipo de máquina: [2] Nombre y modelo: [3] Números de serie: [4] cumple con todas las disposiciones pertinentes de la directriz 2006/42/EC. Se utilizaron normas armonizadas, según lo dispuesto en el artículo 7(2): EN ISO 4254-1:2013 EN ISO 4254-7:2009 Lugar y fecha de la declaración: [5] Identidad y firma de la persona facultada para dar redactar la declaración: [6] Nombre y dirección de la persona autorizada para elaborar el expediente técnico: Benedikt von Riedesel Gerente general - MacDon Europe GmbH Hagenauer Straße 59 65203 Wiesbaden (Alemania) bvonriedesel@macdon.com</p>	<p>Meie, [1] deklareerime, et toode Seadme tüüp: [2] Nimi ja mudel: [3] Seerianumbrid: [4] vastab kõigile direktiivi 2006/42/EÜ asjakohastele sätetele. Kasutatud on järgnevald harmoniseeritud standardid, millele on viidatud ka punktis 7(2): EN ISO 4254-1:2013 EN ISO 4254-7:2009 Deklaratsiooni koht ja kuupäev: [5] Deklaratsiooni koostamiseks volitatud isiku nimi ja allkiri: [6] Tehnilise dokumendi koostamiseks volitatud isiku nimi ja aadress: Benedikt von Riedesel Peadirektor, MacDon Europe GmbH Hagenauer Straße 59 65203 Wiesbaden (Saksamaa) bvonriedesel@macdon.com</p>	<p>Nous soussignés, [1] Déclarons que le produit : Type de machine : [2] Nom et modèle : [3] Numéro(s) de série : [4] Est conforme à toutes les dispositions pertinentes de la directive 2006/42/EC. Utilisation des normes harmonisées, comme indiqué dans l'Article 7(2): EN ISO 4254-1:2013 EN ISO 4254-7:2009 Lieu et date de la déclaration : [5] Identité et signature de la personne ayant reçu le pouvoir de rédiger cette déclaration : [6] Nom et adresse de la personne autorisée à constituer le dossier technique : Benedikt von Riedesel Directeur général, MacDon Europe GmbH Hagenauer Straße 59 65203 Wiesbaden (Allemagne) bvonriedesel@macdon.com</p>

The Harvesting Specialists

MacDon

1025081

EC Declaration of Conformity

IT	HU	LT	LV
<p>Noi, [1] Dichiaro che il prodotto: Tipo di macchina: [2] Nome e modello: [3] Numero(i) di serie: [4] soddisfa tutte le disposizioni rilevanti della direttiva 2006/42/CE.</p> <p>Utilizzo degli standard armonizzati, come indicato nell'Articolo 7(2):</p> <p style="text-align: center;">EN ISO 4254-1:2013 EN ISO 4254-7:2009</p> <p>Luogo e data della dichiarazione: [5] Nome e firma della persona autorizzata a redigere la dichiarazione: [6] Nome e persona autorizzata a compilare il file tecnico: Benedikt von Riedesel General Manager, MacDon Europe GmbH Hagenauer Straße 59 65203 Wiesbaden (Germania) bvonriedesel@macdon.com</p>	<p>Mi, [1] Ezennel kijelentjük, hogy a következő termék: Gép típusa: [2] Név és modell: [3] Szériaszám(ok): [4] teljesíti a következő irányelv összes vonatkozó előírásait: 2006/42/EK.</p> <p>Az alábbi harmonizált szabványok kerültek alkalmazásra a 7(2) cikkely szerint:</p> <p style="text-align: center;">EN ISO 4254-1:2013 EN ISO 4254-7:2009</p> <p>A nyilatkozattétel ideje és helye: [5] Azon személy kiléte és aláírása, aki jogosult a nyilatkozat elkészítésére: [6] Azon személy neve és aláírása, aki felhatalmazott a műszaki dokumentáció összeállítására: Benedikt von Riedesel Vezérigazgató, MacDon Europe GmbH Hagenauer Straße 59 65203 Wiesbaden (Németország) bvonriedesel@macdon.com</p>	<p>Mes, [1] Pareiškiamė, kad šis produktas: Mašinos tipas: [2] Pavadinimas ir modelis: [3] Serijos numeris (-iai): [4] atitinka taikomus reikalavimus pagal Direktyvą 2006/42/EB.</p> <p>Naudojami harmonizuoti standartai, kai nurodoma straipsnyje 7(2):</p> <p style="text-align: center;">EN ISO 4254-1:2013 EN ISO 4254-7:2009</p> <p>Deklaracijos vieta ir data: [5] Asmens tapatybės duomenys ir parašas asmens, įgalijoto sudaryti šią deklaraciją: [6] Vardas ir pavardė asmens, kuris įgalijotas sudaryti šį techninį failą: Benedikt von Riedesel Generalinis direktorius, MacDon Europe GmbH Hagenauer Straße 59 65203 Wiesbaden (Vokietija) bvonriedesel@macdon.com</p>	<p>Mēs, [1] Deklarējam, ka produkts: Mašīnas tips: [2] Nosaukums un modelis: [3] Sērijas numurs(-i): [4] Atbilst visām būtiskajām Direktīvas 2006/42/EK prasībām.</p> <p>Piemēroti šādi saskaņotie standarti, kā minēts 7. panta 2. punktā:</p> <p style="text-align: center;">EN ISO 4254-1:2013 EN ISO 4254-7:2009</p> <p>Deklarācijas parakstīšanas vieta un datums: [5] Tās personas vārds, uzvārds un paraksts, kas ir pilnvarota sagatavot šo deklarāciju: [6] Tās personas vārds, uzvārds un adrese, kas ir pilnvarota sastādīt tehnisko dokumentāciju: Benedikts fon Rīdzelis Ģenerāldirektors, MacDon Europe GmbH Hagenauer Straße 59 65203 Wiesbaden (Vācija) bvonriedesel@macdon.com</p>
<p>Wij, [1] Verklaren dat het product: Machinetype: [2] Naam en model: [3] Serienummer(s): [4] voldoet aan alle relevante bepalingen van de Richtlijn 2006/42/EC.</p> <p>Geharmoniseerde normen toegepast, zoals vermeld in Artikel 7(2):</p> <p style="text-align: center;">EN ISO 4254-1:2013 EN ISO 4254-7:2009</p> <p>Plaats en datum van verklaring: [5] Naam en handtekening van de bevoegde persoon om de verklaring op te stellen: [6] Naam en adres van de geautoriseerde persoon om het technisch dossier samen te stellen: Benedikt von Riedesel Algemeen directeur, MacDon Europe GmbH Hagenauer Straße 59 65203 Wiesbaden (Duitsland) bvonriedesel@macdon.com</p>	<p>My niżej podpisani, [1] Oświadczamy, że produkt: Typ urządzenia: [2] Nazwa i model: [3] Numer seryjny/numery seryjne: [4] spełnia wszystkie odpowiednie przepisy dyrektywy 2006/42/WE.</p> <p>Zastosowaliśmy następujące (zharmonizowane) normy zgodnie z artykułem 7(2):</p> <p style="text-align: center;">EN ISO 4254-1:2013 EN ISO 4254-7:2009</p> <p>Data i miejsce oświadczenia: [5] Imię i nazwisko oraz podpis osoby upoważnionej do przygotowania deklaracji: [6] Imię i nazwisko oraz adres osoby upoważnionej do przygotowania dokumentacji technicznej: Benedikt von Riedesel Dyrektor generalny, MacDon Europe GmbH Hagenauer Straße 59 65203 Wiesbaden (Niemcy) bvonriedesel@macdon.com</p>	<p>Nós, [1] Declaramos, que o produto: Tipo de máquina: [2] Nome e Modelo: [3] Número(s) de Série: [4] cumpre todas as disposições relevantes da Directiva 2006/42/CE.</p> <p>Normas harmonizadas aplicadas, conforme referido no Artigo 7(2):</p> <p style="text-align: center;">EN ISO 4254-1:2013 EN ISO 4254-7:2009</p> <p>Local e data da declaração: [5] Identidade e assinatura da pessoa autorizada a elaborar a declaração: [6] Nome e endereço da pessoa autorizada a compilar o ficheiro técnico: Benedikt von Riedesel Gerente Geral, MacDon Europa Ltda. Hagenauer Straße 59 65203 Wiesbaden (Alemanha) bvonriedesel@macdon.com</p>	<p>Noi, [1] Declarăm, că următorul produs: Tipul mașinii: [2] Denumirea și modelul: [3] Număr (numere) serie: [4] corespunde tuturor dispozițiilor esențiale ale directivei 2006/42/EC.</p> <p>Au fost aplicate următoarele standarde armonizate conform articolului 7(2):</p> <p style="text-align: center;">EN ISO 4254-1:2013 EN ISO 4254-7:2009</p> <p>Data și locul declarației: [5] Identitatea și semnătura persoanei împuternicite pentru întocmirea declarației: [6] Numele și semnătura persoanei autorizate pentru întocmirea cărții tehnice: Benedikt von Riedesel Manager General, MacDon Europe GmbH Hagenauer Straße 59 65203 Wiesbaden (Germania) bvonriedesel@macdon.com</p>
<p>Mi, [1] Izjavljujem da proizvod Tip mašine: [2] Naziv i model: [3] Serijski brojevi: [4] Ispunjava sve relevantne odredbe direktive 2006/42/EC.</p> <p>Korišćeni su usklađeni standardi kao što je navedeno u članku 7(2):</p> <p style="text-align: center;">EN ISO 4254-1:2013 EN ISO 4254-7:2009</p> <p>Datum i mesto izdavanja deklaracije: [5] Identitet i potpis lica ovlašćenog za sastavljanje deklaracije: [6] Ime i adresa osobe ovlašćene za sastavljanje tehničke datoteke: Benedikt von Riedesel Generalni direktor, MacDon Europe GmbH Hagenauer Straße 59 65203 Wiesbaden (Nemačka) bvonriedesel@macdon.com</p>	<p>Vi, [1] Intyggar att produkten: Maskintyp: [2] Namn och modell: [3] Serienummer: [4] uppfyller alla relevanta villkor i direktivet 2006/42/EG.</p> <p>Harmonierade standarder används, såsom anges i artikel 7(2):</p> <p style="text-align: center;">EN ISO 4254-1:2013 EN ISO 4254-7:2009</p> <p>Plats och datum för intyget: [5] Identitet och signatur för person med befogenhet att upprätta intyget: [6] Namn och adress för person behörig att upprätta den tekniska dokumentationen: Benedikt von Riedesel Administrativ chef, MacDon Europe GmbH Hagenauer Straße 59 65203 Wiesbaden (Tyskland) bvonriedesel@macdon.com</p>	<p>Mi, [1] izjavljamo, da izdelek: Vrsta stroja: [2] Ime in model: [3] Serijska/-e številka/-e: [4] ustreza vsem zadevnim določbam Direktive 2006/42/ES.</p> <p>Uporabljeni usklajeni standardi, kot je navedeno v členu 7(2):</p> <p style="text-align: center;">EN ISO 4254-1:2013 EN ISO 4254-7:2009</p> <p>Kraj in datum izjave: [5] Istovetnost in podpis osebe, opolnomočene za pripravo izjave: [6] Ime in naslov osebe, pooblaščenega za pripravo tehnične datoteke: Benedikt von Riedesel Generalni direktor, MacDon Europe GmbH Hagenauer Straße 59 65203 Wiesbaden (Nemčija) bvonriedesel@macdon.com</p>	<p>Mv, [1] týmto prehlasujem, že tento výrobok: Typ zariadenia: [2] Názov a model: [3] Výrobné číslo: [4] spĺňa príslušné ustanovenia a základné požiadavky smernice č. 2006/42/ES.</p> <p>Použité harmonizované normy, ktoré sa uvádzajú v článku 7(2):</p> <p style="text-align: center;">EN ISO 4254-1:2013 EN ISO 4254-7:2009</p> <p>Miesto a dátum prehlásenia: [5] Meno a podpis osoby oprávnenej vypracovať toto prehlásenie: [6] Meno a adresa osoby oprávnenej zostaviť technický súbor: Benedikt von Riedesel Generálny riaditeľ MacDon Europe GmbH Hagenauer Straße 59 65203 Wiesbaden (Nemecko) bvonriedesel@macdon.com</p>

1025030

Introduction

This instructional manual contains information on D1X and D1XL Series Draper Headers. Teamed with your windrower, D1X and D1XL Series Draper Headers will cut and lay crop into fluffy, uniform windrows.

The D1X and D1XL Series Draper Headers are designed as a straight-cut header, equipped to work well in all straight-cut conditions whether cutting on or above the ground.

Use this manual as your first source of information about the machine. If you follow the instructions provided, your header will work well for many years. If you require more detailed service information, a technical manual is available from your MacDon Dealer.

When setting up the machine or making adjustments, review and follow the recommended machine settings in all relevant MacDon publications. Failure to do so may compromise machine function and machine life and may result in a hazardous situation.

MacDon provides warranty for Customers who operate and maintain their equipment as described in this manual. A copy of the MacDon Industries Limited Warranty Policy, which explains this warranty, should have been provided to you by your Dealer. Damage resulting from any of the following conditions will void the warranty:

- Accident
- Misuse
- Abuse
- Improper maintenance or neglect
- Abnormal or extraordinary use of the machine
- Failure to use the machine, equipment, component, or part in accordance with the manufacturer's instructions

Conventions

The following conventions are used in this document:

- Right and left are determined from the operator's position. The front of the header faces the crop.
- Unless otherwise noted, use the standard torque values provided in this manual.

This manual is available in English.

Carefully read the information provided in this manual before attempting to maintain, service, or use the machine.

The Table of Contents and Index will guide you to specific areas within this manual. Examine the Table of Contents and familiarize yourself with the organization of the information.

NOTE:

Keep your MacDon publications up-to-date. The most current version can be downloaded from our Dealer-only site (<https://portal.macdon.com>) (login required).

Keep this manual handy for frequent reference or to pass on to new Operators or Owners. A manual storage case (A) is located inside the endshield on the left side of the header.

Call your MacDon Dealer if you need assistance, information, or additional copies of this manual.

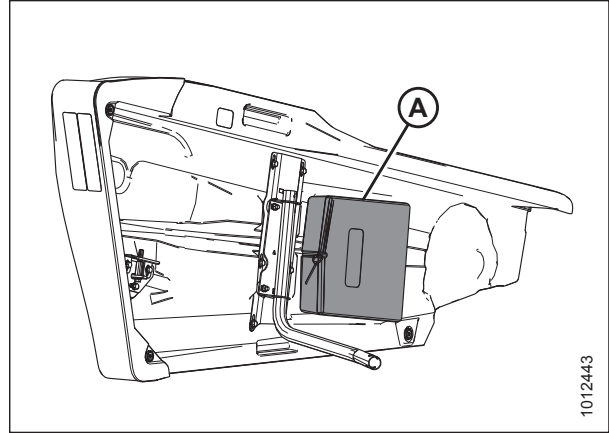


Figure 1. Left Endshield Manual Storage Location

List of Revisions

Summary of Change	Refer to
Included information about conventions used throughout manual.	<i>Inside Front Cover, page 2</i>
Added illustrations for 4.6 m (15 ft.), 6.1 m (20 ft.), and 7.6 m (25 ft.) headers.	<i>1.7 Safety Decal Locations, page 8</i>
Added D1X illustration to topic and updated D1XL illustration in topic.	<i>Removing Endshields, page 37</i>
Added D1X illustration to topic and updated D1XL illustration in topic.	<i>Installing Endshields, page 37</i>
Added D1XL illustrations to topic and updated D1X illustrations.	<i>Checking and Adjusting Endshields, page 38</i>
Added note.	<i>3.14 Upper Cross Auger (UCA), page 88</i>
Added content to show storage position for 4.6 m (15 ft.) headers.	<i>4.1 Attaching Header to M1170/M1240 Windrower, page 107</i>
Added content to show storage position for 4.6 m (15 ft.) headers.	<i>4.2 Detaching Header from M1170/M1240 Windrower, page 110</i>
Updated illustrations to show D1X, D1XL differences.	<i>Installing Timed Knife Drive Belt, page 165</i>
Removed mention of wide draper deflectors—only narrow deflectors are necessary.	<i>5.7.7 Draper Deflectors, page 193</i>
Updated reel-to-cutterbar clearances.	<i>5.8.1 Reel Clearance to Cutterbar, page 196</i>
Updated bundle numbers and descriptions.	<i>6.2.2 Vertical Knife Mounts, page 245</i>
Added bundle numbers for different headers.	<i>6.4.3 Draper Deflector (Wide), page 248</i>
Added note.	<i>6.4.6 Upper Cross Auger (UCA), page 249</i>

Model and Serial Number

Record the model number, serial number, and model year of the header and Slow Speed Transport / Stabilizer Wheel option (if installed) on the lines below.

NOTE:

Right and left designations are determined from the operator's position, facing forward.

Header Model: _____

Serial Number: _____

Year: _____

The serial number plate (A) is located in the upper corner on the left endsheet.

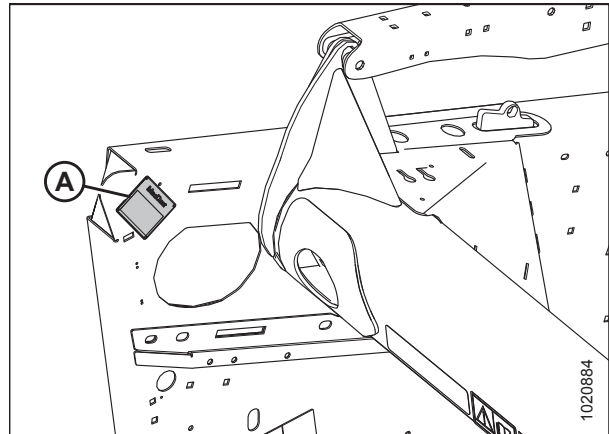


Figure 2. Header, Left Side Endshield

Slow Speed Transport / Stabilizer Wheel Option

Serial Number: _____

Year: _____

The serial number plate (A) is located on the right axle assembly.

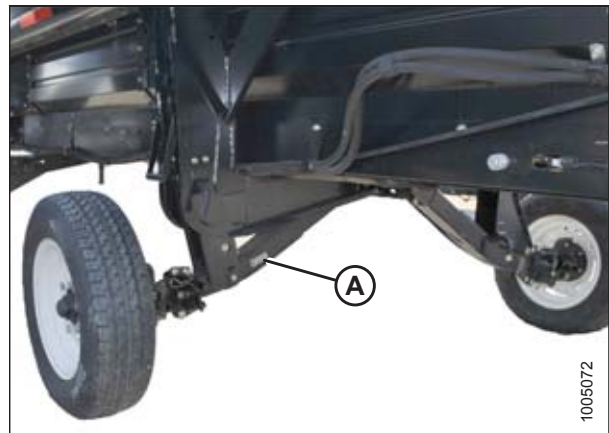


Figure 3. Transport/Stabilizer Option

TABLE OF CONTENTS

Declaration of Conformity	i
Introduction	i
List of Revisions	iii
Model and Serial Number	iv
Chapter 1: Safety	1
1.1 Safety Alert Symbols	1
1.2 Signal Words	2
1.3 General Safety	3
1.4 Maintenance Safety	5
1.5 Hydraulic Safety	6
1.6 Safety Signs	7
1.6.1 Installing Safety Decals	7
1.7 Safety Decal Locations	8
1.8 Understanding Safety Signs	16
Chapter 2: Product Overview	23
2.1 Definitions	23
2.2 Component Identification	26
2.3 Specifications	27
Chapter 3: Operation	31
3.1 Owner/Operator Responsibilities	31
3.2 Operational Safety	32
3.2.1 Header Safety Props	33
3.2.2 Reel Safety Props	33
Engaging Reel Safety Props	33
Disengaging Reel Safety Props	34
3.2.3 Endshields	35
Opening Endshields	35
Closing Endshields	36
Removing Endshields	37
Installing Endshields	37
Checking and Adjusting Endshields	38
3.2.4 Daily Start-Up Check	40
3.3 Break-in Period	41
3.4 Shutting down the Windrower	42
3.5 Cab Controls	43
3.6 Header Setup	44
3.6.1 Header Attachments	44
3.6.2 Header Settings	44
3.6.3 Reel Settings	54
3.7 Header Operating Variables	56

TABLE OF CONTENTS

3.7.1 Cutting Height.....	56
Cutting off the Ground.....	56
Cutting on the Ground.....	60
3.7.2 Header Float.....	61
3.7.3 Header Angle.....	62
Adjusting Header Angle	63
3.7.4 Reel Speed.....	63
Optional Reel Drive Sprockets	63
3.7.5 Ground Speed	64
3.7.6 Draper Speed	65
3.7.7 Knife Speed	65
3.7.8 Reel Height.....	65
3.7.9 Reel Fore-Aft Position	66
Adjusting Reel Fore-Aft Position	66
3.7.10 Reel Tine Pitch.....	67
Reel Cam Settings.....	67
Adjusting Reel Cam	69
3.7.11 Crop Dividers	70
Removing Crop Dividers with Latch Option from Header.....	70
Removing Crop Dividers without Latch Option from Header	71
Installing Crop Dividers with Latch Option onto Header.....	72
Installing Crop Dividers without Latch Option onto Header	73
3.7.12 Crop Divider Rods	75
Removing Crop Divider Rods	75
Installing Crop Divider Rods	76
3.8 Delivery Opening	77
3.8.1 Adjusting Delivery Opening on Header.....	78
3.8.2 Adjusting Delivery Opening on Header using Hydraulic Deck Shift	79
3.9 Double Windrowing	81
3.9.1 Shifting Decks Hydraulically	81
3.10 Windrow Types	82
3.11 Haying Tips.....	84
3.11.1 Curing	84
3.11.2 Topsoil Moisture	84
3.11.3 Weather and Topography	84
3.11.4 Windrow Characteristics	85
3.11.5 Driving on Windrow.....	85
3.11.6 Raking and Tedding	85
3.11.7 Using Chemical Drying Agents	85
3.12 Levelling the Header	86
3.13 Unplugging the Cutterbar.....	87
3.14 Upper Cross Auger (UCA)	88
3.15 Transporting the Header	89
3.15.1 Transporting Header on Windrower	89
3.15.2 Towing.....	90

TABLE OF CONTENTS

Attaching Header to Towing Vehicle	90
Towing the Header.....	90
3.15.3 Converting from Transport to Field Position	91
Removing Tow-Bar	91
Storing the Tow-Bar	92
Moving Front (Left) Wheels into Field Position	94
Moving Rear (Right) Wheels into Field Position.....	95
3.15.4 Converting from Field to Transport Position	98
Moving Front (Left) Wheels into Transport Position	98
Moving Rear (Right) Wheels into Transport Position.....	100
Attaching Tow-Bar	103
Chapter 4: Header Attachment/Detachment.....	107
4.1 Attaching Header to M1170/M1240 Windrower.....	107
4.2 Detaching Header from M1170/M1240 Windrower.....	110
Chapter 5: Maintenance and Servicing	113
5.1 Preparing Machine for Servicing.....	113
5.2 Maintenance Specifications	114
5.2.1 Installing a Roller Chain	114
5.2.2 Installing a Sealed Bearing.....	114
5.3 Maintenance Requirements	115
5.3.1 Maintenance Schedule/Record	116
5.3.2 Break-In Inspection	118
5.3.3 Preseason Servicing	118
5.3.4 End-of-Season Service.....	119
5.3.5 Checking Hydraulic Hoses and Lines.....	120
5.3.6 Lubrication and Servicing.....	121
Greasing Procedure.....	121
Service Intervals.....	122
5.4 Electrical System	127
5.4.1 How It Works	127
5.4.2 Replacing Light Bulbs.....	129
5.4.3 Checking and Adjusting Reel Height Sensor.....	130
5.5 Cutterbar	132
5.5.1 Replacing Knife Section.....	132
5.5.2 Removing Knife	133
5.5.3 Removing Knifehead Bearing.....	133
5.5.4 Installing Knifehead Bearing.....	134
5.5.5 Installing Knife	135
5.5.6 Spare Knife.....	136
5.5.7 Knife Guards.....	136
Adjusting Knife Guards	136
Replacing Pointed Guards.....	138
Replacing Stub Guards	141
Checking Knife Hold-Downs	142

TABLE OF CONTENTS

5.5.8 Knifehead Shield	145
Installing Knifehead Shield	145
5.6 Knife Drive System.....	146
5.6.1 Knife Drive Box	146
Checking Mounting Bolts.....	146
Removing Knife Drive Box.....	147
Removing Knife Drive Box Pulley.....	150
Installing Knife Drive Box Pulley.....	150
Installing Knife Drive Box	151
Changing Oil in Knife Drive Box	158
5.6.2 Knife Drive Belts	159
Untimed Knife Drive Belts.....	159
Timed Double-Knife Drive Belts	163
5.7 Drapers	176
5.7.1 Removing Drapers	176
5.7.2 Installing Drapers	177
5.7.3 Adjusting Draper Tension	179
5.7.4 Adjusting Draper Tracking.....	181
5.7.5 Adjusting Deck Height	182
5.7.6 Draper Roller Maintenance	185
Inspecting Draper Roller Bearing	185
Draper Deck Idler Roller.....	185
Draper Deck Drive Roller	189
5.7.7 Draper Deflectors	193
Removing Narrow Draper Deflectors.....	193
Installing Narrow Draper Deflectors.....	194
5.8 Reel	196
5.8.1 Reel Clearance to Cutterbar.....	196
Measuring Reel Clearance	197
Adjusting Reel Clearance.....	199
5.8.2 Reel Frown	200
Adjusting Reel Frown.....	200
5.8.3 Centering the Reel	201
Centering Double Reels	201
Centering Single Reel	202
5.8.4 Reel Fingers	203
Removing Steel Fingers.....	203
Installing Steel Fingers.....	204
Removing Plastic Fingers.....	205
Installing Plastic Fingers	206
5.8.5 Tine Tube Bushings.....	207
Removing Bushings from Five-, Six-, or Nine-Bat Reels.....	207
Installing Bushings on Five-, Six-, or Nine-Bat Reels	212
5.8.6 Reel Endshields	219
Replacing Reel Endshields.....	219
Replacing Reel Endshields – Right Reel on Double-Reel Header.....	221
Replacing Reel Endshield Supports	222
5.9 Reel System	224

TABLE OF CONTENTS

5.9.1 Reel Drive Cover	224
Removing Reel Drive Cover	224
Installing Reel Drive Cover	225
5.9.2 Reel Drive Chain Tension.....	227
Loosening Reel Drive Chain	227
Tightening Reel Drive Chain	228
5.9.3 Reel Drive Sprocket	230
Removing Reel Drive Sprocket.....	230
Installing Reel Drive Sprocket.....	231
5.9.4 Double-Reel U-Joint	232
Removing Double-Reel U-Joint	232
Installing Double-Reel U-Joint	233
5.9.5 Reel Drive Motor	234
Removing Reel Drive Motor.....	234
Installing Reel Drive Motor	235
5.9.6 Replacing Drive Chain on Double Reel	236
Replacing Chain Using the Reel Drive Method.....	236
Replacing Chain Using Breaking the Chain Method.....	238
5.9.7 Replacing Drive Chain on Single Reel.....	239
5.10 Transport System (Optional)	240
5.10.1 Checking Wheel Bolt Torque	240
5.10.2 Checking Axle Bolt Torque	241
5.10.3 Checking Tire Pressure.....	242
Chapter 6: Options and Attachments	243
6.1 Reel	243
6.1.1 Lodged Crop Reel Finger Kit	243
6.1.2 Reel Endshield Kit.....	243
6.1.3 Tine Tube Reinforcing Kit.....	244
6.2 Cutterbar	245
6.2.1 Stub Guard Conversion Kit.....	245
6.2.2 Vertical Knife Mounts.....	245
6.3 Header	246
6.3.1 Divider Latch Kit.....	246
6.3.2 Stabilizer Wheels	246
6.3.3 Stabilizer Wheels and Slow Speed Transport Package.....	247
6.4 Crop Delivery	248
6.4.1 Double Draper Drive (DDD) Kit.....	248
6.4.2 Draper Deflector (Narrow).....	248
6.4.3 Draper Deflector (Wide).....	248
6.4.4 Draper Extension Kit.....	249
6.4.5 Swath Rods	249
6.4.6 Upper Cross Auger (UCA)	249
6.4.7 Rice Divider Rods	250

TABLE OF CONTENTS

Chapter 7: Unloading and Assembly	251
Chapter 8: Troubleshooting	253
8.1 Crop Loss at Cutterbar	253
8.2 Cutting Action and Knife Components	256
8.3 Reel Delivery	259
8.4 Header and Drapers.....	262
8.5 Cutting Edible Beans.....	264
8.6 Windrow Formation	268
Chapter 9: Reference	269
9.1 Torque Specifications	269
9.1.1 SAE Bolt Torque Specifications	269
9.1.2 Metric Bolt Specifications.....	271
9.1.3 Metric Bolt Specifications Bolting into Cast Aluminum	273
9.1.4 Flare-Type Hydraulic Fittings.....	274
9.1.5 O-Ring Boss (ORB) Hydraulic Fittings (Adjustable).....	275
9.1.6 O-Ring Boss (ORB) Hydraulic Fittings (Non-Adjustable).....	277
9.1.7 O-Ring Face Seal (ORFS) Hydraulic Fittings	278
9.1.8 Tapered Pipe Thread Fittings	279
9.2 Conversion Chart.....	280
Index	281
Recommended Fluids and Lubricants	Inside Back Cover

1 Safety

1.1 Safety Alert Symbols

This safety alert symbol indicates important safety messages in this manual and on safety signs on the machine.

This symbol means:

- **ATTENTION!**
- **BECOME ALERT!**
- **YOUR SAFETY IS INVOLVED!**

Carefully read and follow the safety message accompanying this symbol.

Why is safety important to you?

- Accidents disable and kill
- Accidents cost
- Accidents can be avoided



Figure 1.1: Safety Symbol

1.2 Signal Words

Three signal words, **DANGER**, **WARNING**, and **CAUTION**, are used to alert you to hazardous situations. Signal words are selected using the following guidelines:

DANGER

Indicates an imminently hazardous situation that, if not avoided, will result in death or serious injury.

WARNING

Indicates a potentially hazardous situation that, if not avoided, could result in death or serious injury. It may also be used to alert against unsafe practices.

CAUTION

Indicates a potentially hazardous situation that, if not avoided, may result in minor or moderate injury. It may be used to alert against unsafe practices.

1.3 General Safety

CAUTION

The following are general farm safety precautions that should be part of your operating procedure for all types of machinery.

Protect yourself.

- When assembling, operating, and servicing machinery, wear all protective clothing and personal safety devices that could be necessary for job at hand. Do **NOT** take chances. You may need the following:
 - Hard hat
 - Protective footwear with slip resistant soles
 - Protective glasses or goggles
 - Heavy gloves
 - Wet weather gear
 - Respirator or filter mask
- Be aware that exposure to loud noises can cause hearing impairment or loss. Wear suitable hearing protection devices such as earmuffs or earplugs to help protect against loud noises.



Figure 1.2: Safety Equipment



Figure 1.3: Safety Equipment

- Provide a first aid kit for use in case of emergencies.
- Keep a fire extinguisher on the machine. Be sure fire extinguisher is properly maintained. Be familiar with its proper use.
- Keep young children away from machinery at all times.
- Be aware that accidents often happen when Operator is tired or in a hurry. Take time to consider safest way. Never ignore warning signs of fatigue.

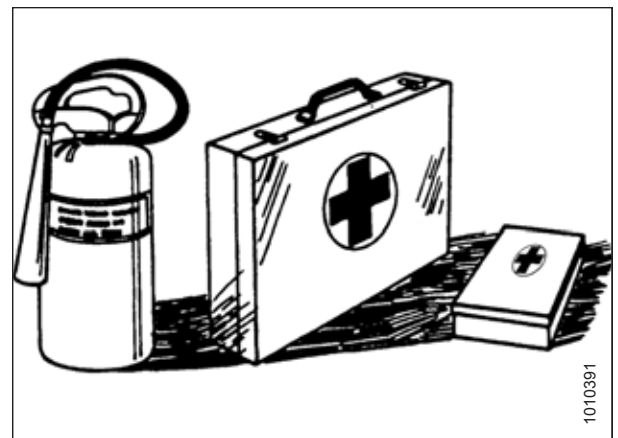


Figure 1.4: Safety Equipment

SAFETY

- Wear close-fitting clothing and cover long hair. Never wear dangling items such as scarves or bracelets.
- Keep all shields in place. **NEVER** alter or remove safety equipment. Make sure driveline guards can rotate independently of shaft and can telescope freely.
- Use only service and repair parts made or approved by equipment manufacturer. Substituted parts may not meet strength, design, or safety requirements.



Figure 1.5: Safety around Equipment

- Keep hands, feet, clothing, and hair away from moving parts. **NEVER** attempt to clear obstructions or objects from a machine while engine is running.
- Do **NOT** modify machine. Unauthorized modifications may impair machine function and/or safety. It may also shorten machine's life.
- To avoid bodily injury or death from unexpected startup of machine, **ALWAYS** stop the engine and remove the key from the ignition before leaving the operator's seat for any reason.

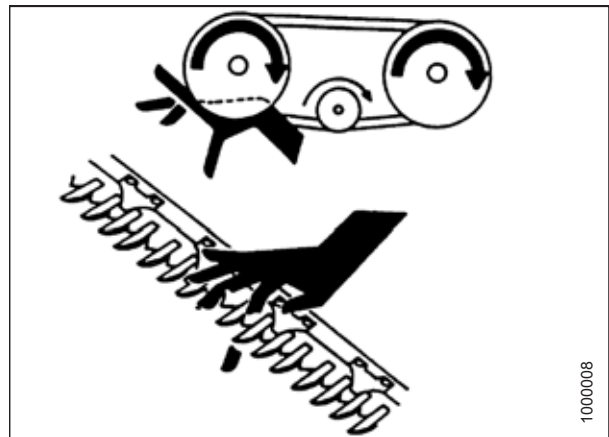


Figure 1.6: Safety around Equipment

- Keep service area clean and dry. Wet or oily floors are slippery. Wet spots can be dangerous when working with electrical equipment. Be sure all electrical outlets and tools are properly grounded.
- Keep work area well lit.
- Keep machinery clean. Straw and chaff on a hot engine is a fire hazard. Do **NOT** allow oil or grease to accumulate on service platforms, ladders, or controls. Clean machines before storage.
- **NEVER** use gasoline, naphtha, or any volatile material for cleaning purposes. These materials may be toxic and/or flammable.
- When storing machinery, cover sharp or extending components to prevent injury from accidental contact.



Figure 1.7: Safety around Equipment

1.4 Maintenance Safety

To ensure your safety while maintaining machine:

- Review operator's manual and all safety items before operation and/or maintenance of machine.
- Place all controls in Neutral, stop the engine, set the park brake, remove the ignition key, and wait for all moving parts to stop before servicing, adjusting, and/or repairing.
- Follow good shop practices:
 - Keep service areas clean and dry
 - Be sure electrical outlets and tools are properly grounded
 - Keep work area well lit
- Relieve pressure from hydraulic circuits before servicing and/or disconnecting machine.
- Make sure all components are tight and that steel lines, hoses, and couplings are in good condition before applying pressure to hydraulic systems.
- Keep hands, feet, clothing, and hair away from all moving and/or rotating parts.
- Clear area of bystanders, especially children, when carrying out any maintenance, repairs, or adjustments.
- Install transport lock or place safety stands under frame before working under machine.
- If more than one person is servicing machine at same time, be aware that rotating a driveline or other mechanically-driven component by hand (for example, accessing a lube fitting) will cause drive components in other areas (belts, pulleys, and knives) to move. Stay clear of driven components at all times.
- Wear protective gear when working on machine.
- Wear heavy gloves when working on knife components.



Figure 1.8: Safety around Equipment

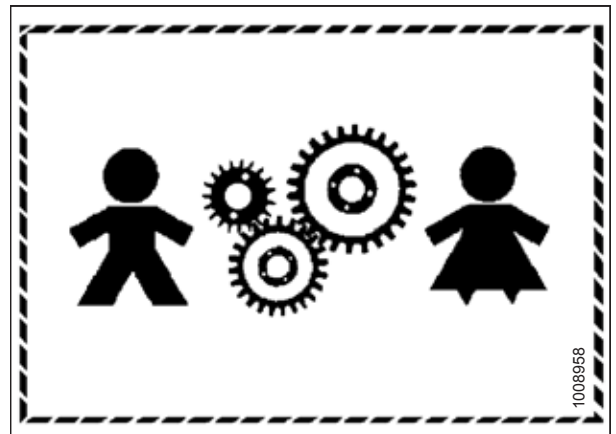


Figure 1.9: Equipment NOT Safe for Children



Figure 1.10: Safety Equipment

1.5 Hydraulic Safety

- Always place all hydraulic controls in Neutral before dismounting.
- Make sure that all components in hydraulic system are kept clean and in good condition.
- Replace any worn, cut, abraded, flattened, or crimped hoses and steel lines.
- Do **NOT** attempt any makeshift repairs to hydraulic lines, fittings, or hoses by using tapes, clamps, cements, or welding. The hydraulic system operates under extremely high pressure. Makeshift repairs will fail suddenly and create hazardous and unsafe conditions.

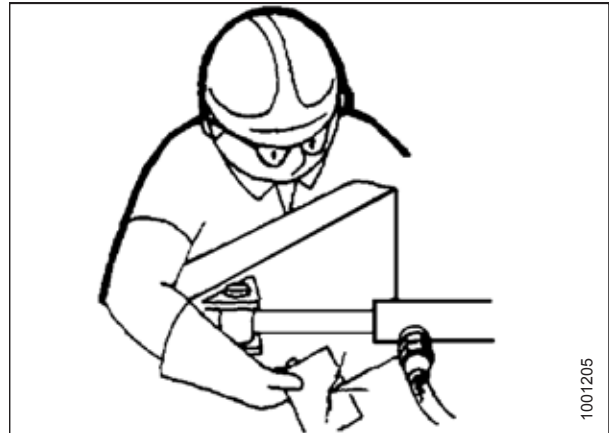


Figure 1.11: Testing for Hydraulic Leaks

- Wear proper hand and eye protection when searching for high-pressure hydraulic leaks. Use a piece of cardboard as a backstop instead of hands to isolate and identify a leak.
- If injured by a concentrated high-pressure stream of hydraulic fluid, seek medical attention immediately. Serious infection or toxic reaction can develop from hydraulic fluid piercing the skin.



Figure 1.12: Hydraulic Pressure Hazard

- Make sure all components are tight and steel lines, hoses, and couplings are in good condition before applying pressure to a hydraulic system.

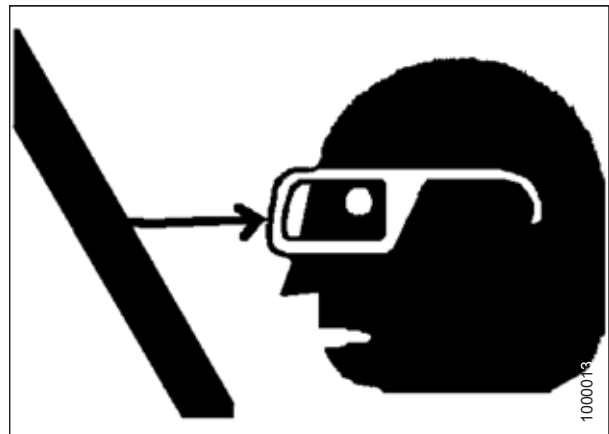


Figure 1.13: Safety around Equipment

1.6 Safety Signs

- Keep safety signs clean and legible at all times.
- Replace safety signs that are missing or become illegible.
- If original part on which a safety sign was installed is replaced, be sure repair part also bears current safety sign.
- Replacement safety signs are available from your MacDon Dealer Parts Department.

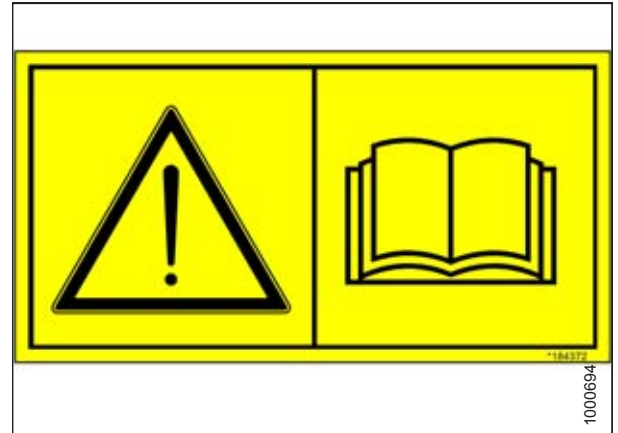


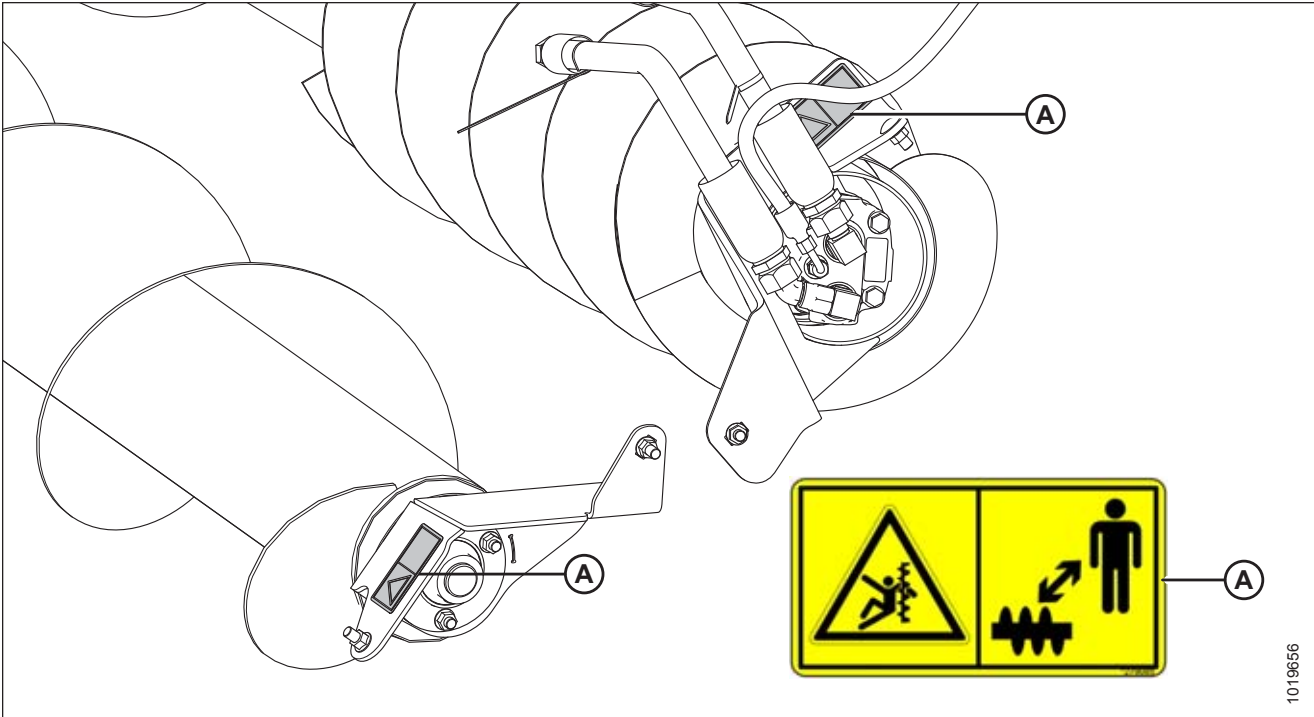
Figure 1.14: Operator's Manual Decal

1.6.1 Installing Safety Decals

1. Clean and dry installation area.
2. Decide on exact location before you remove decal backing paper.
3. Remove smaller portion of split backing paper.
4. Place decal in position and slowly peel back remaining paper, smoothing decal as it is applied.
5. Prick small air pockets with a pin and smooth out.

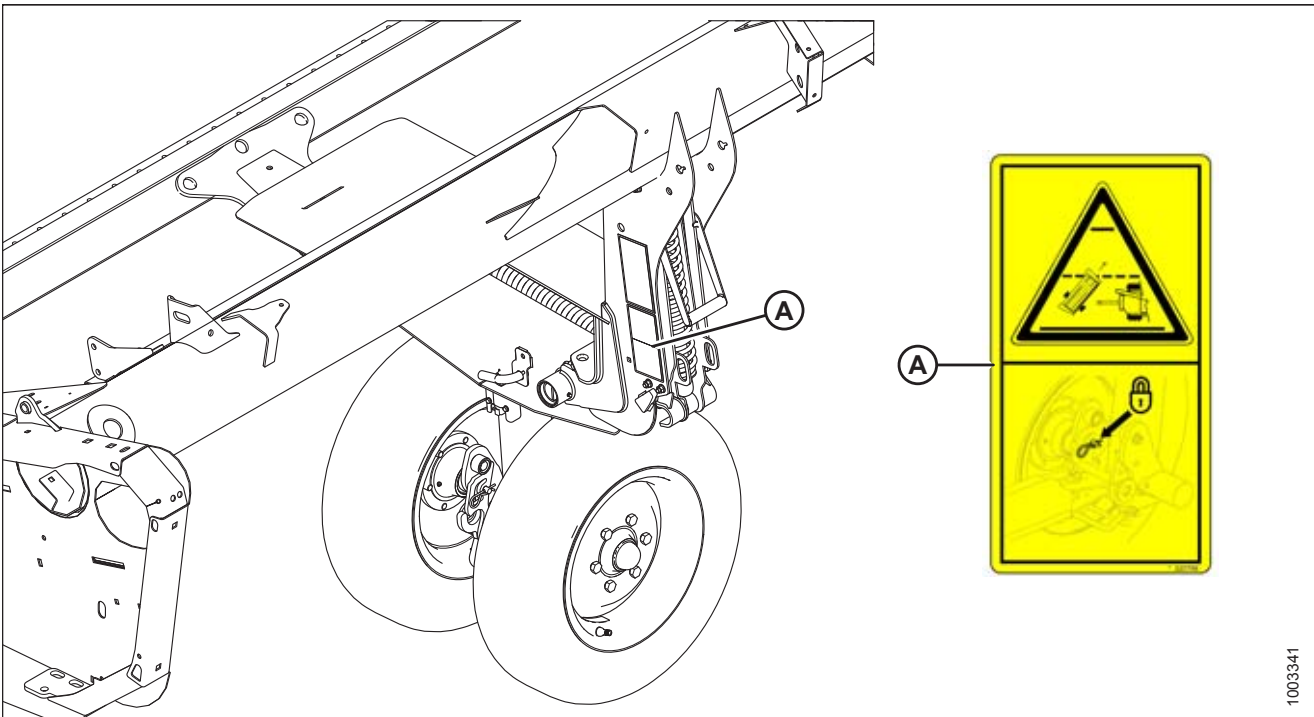
1.7 Safety Decal Locations

Figure 1.15: Upper Cross Auger



A - MD #279085

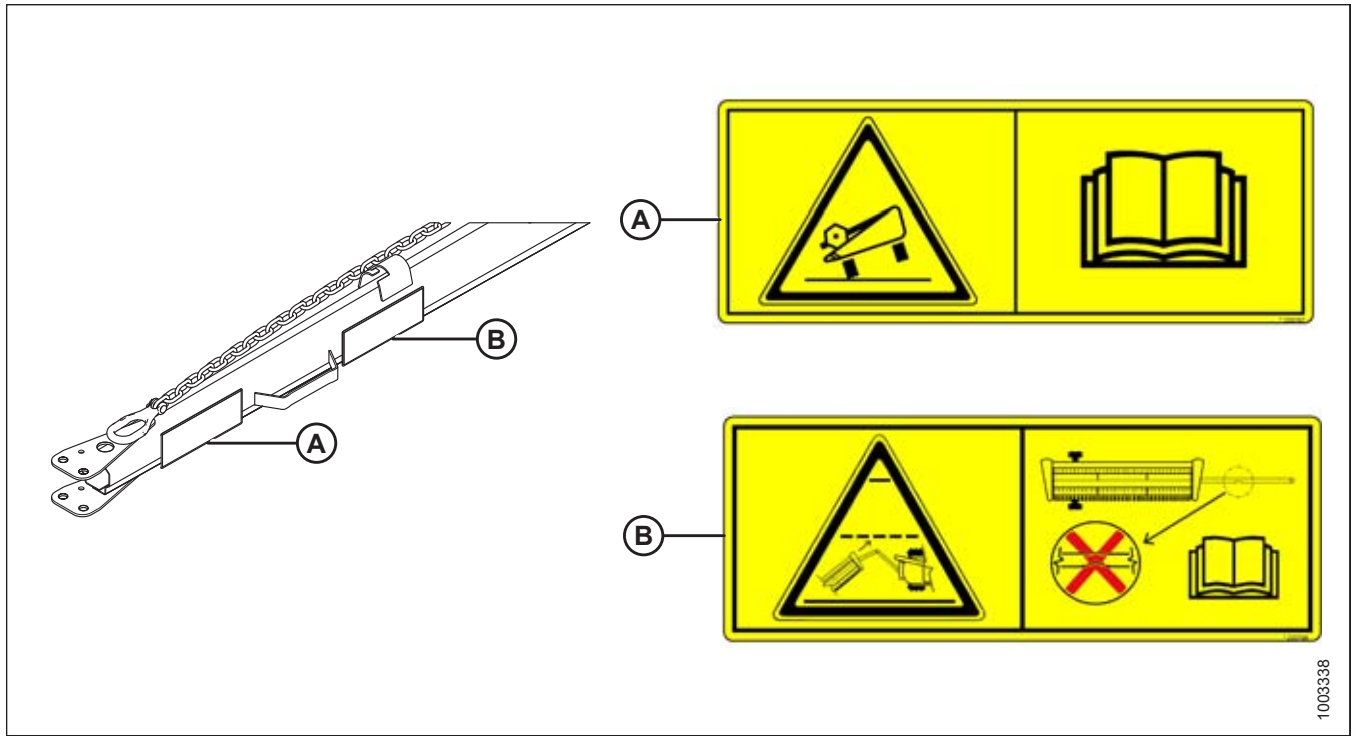
Figure 1.16: Slow Speed Transport



A - MD #220799

SAFETY

Figure 1.17: Slow Speed Transport Tow-Bar

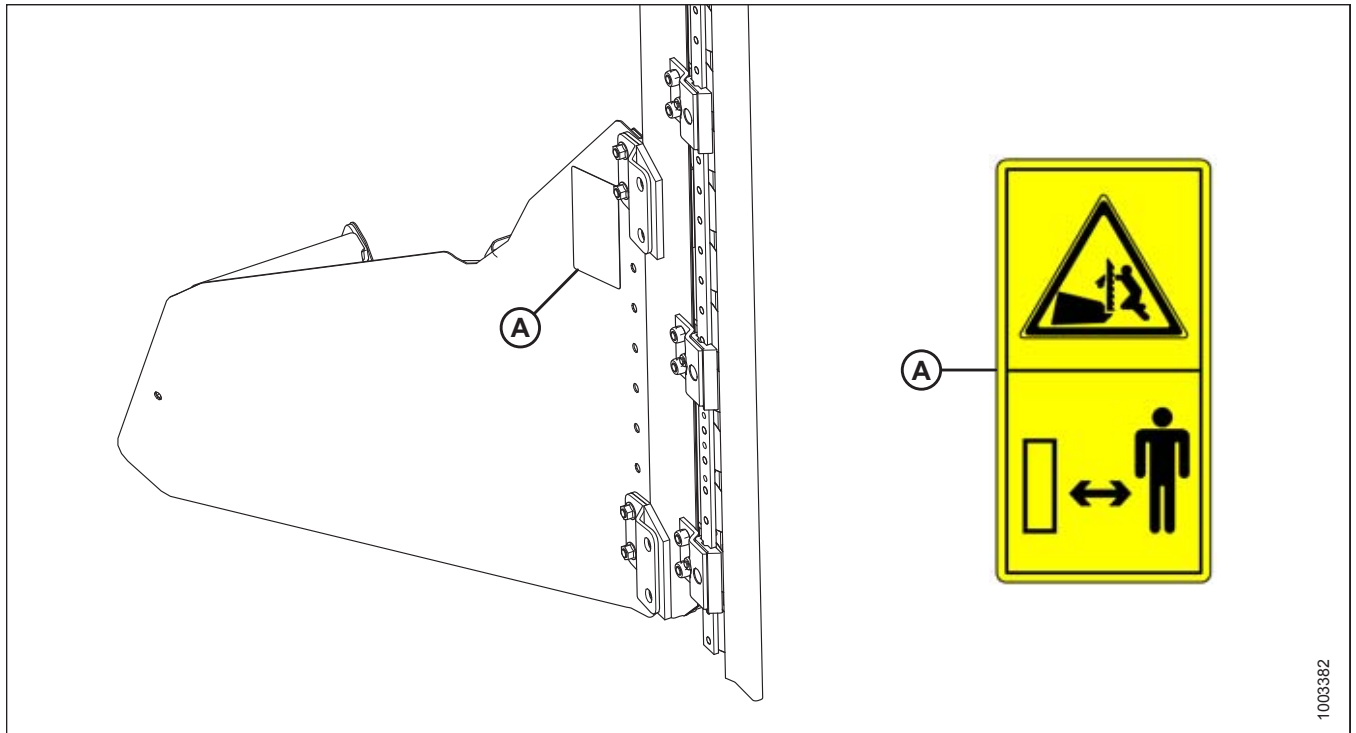


1003338

A - MD #220797

B - MD #220798

Figure 1.18: Vertical Knife

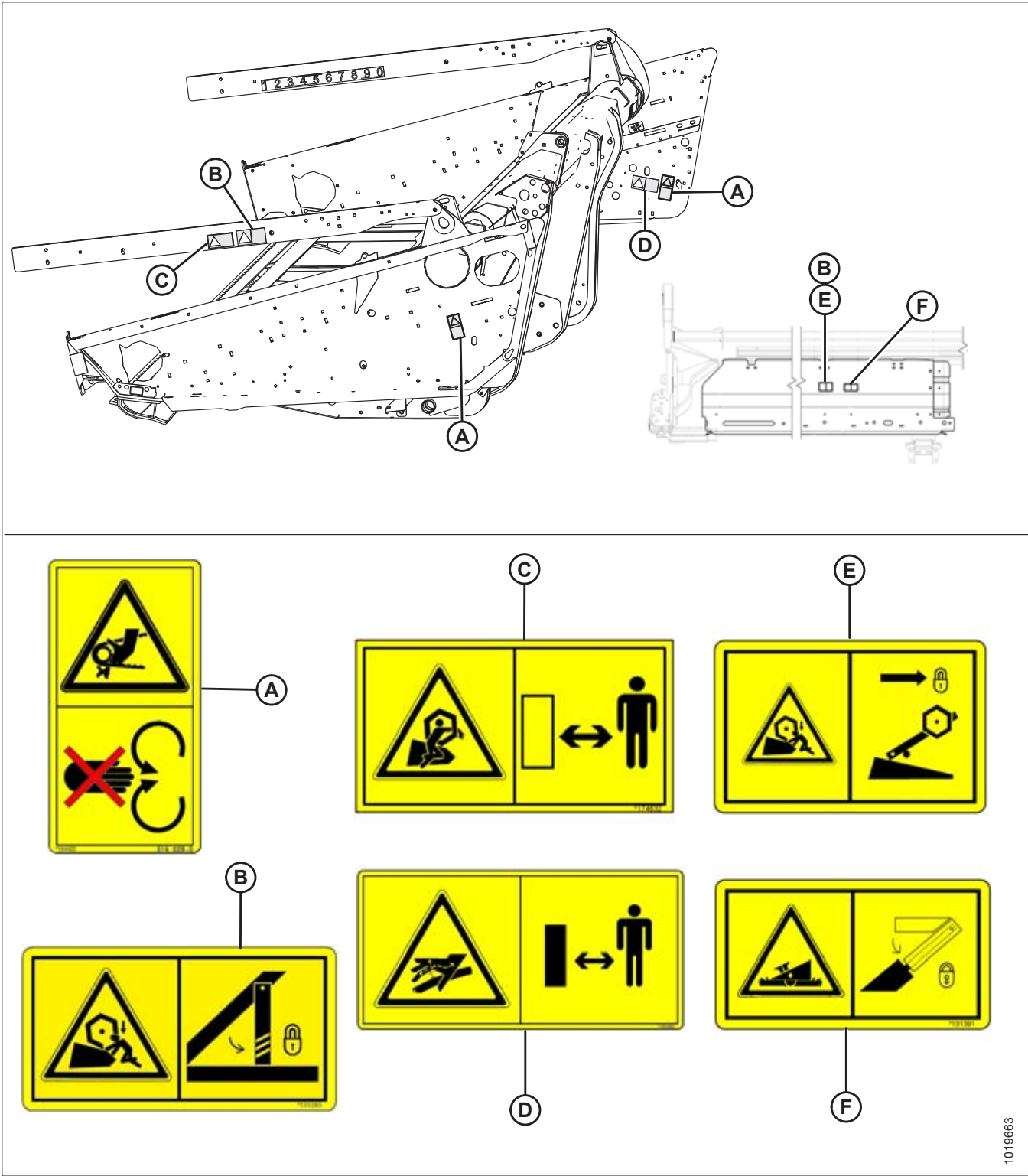


1003382

A - MD #174684

SAFETY

Figure 1.19: Endsheets, Reel Arms, and Backsheet



A - MD #184422 (Four Places)
D - MD #166466 (Two Places)

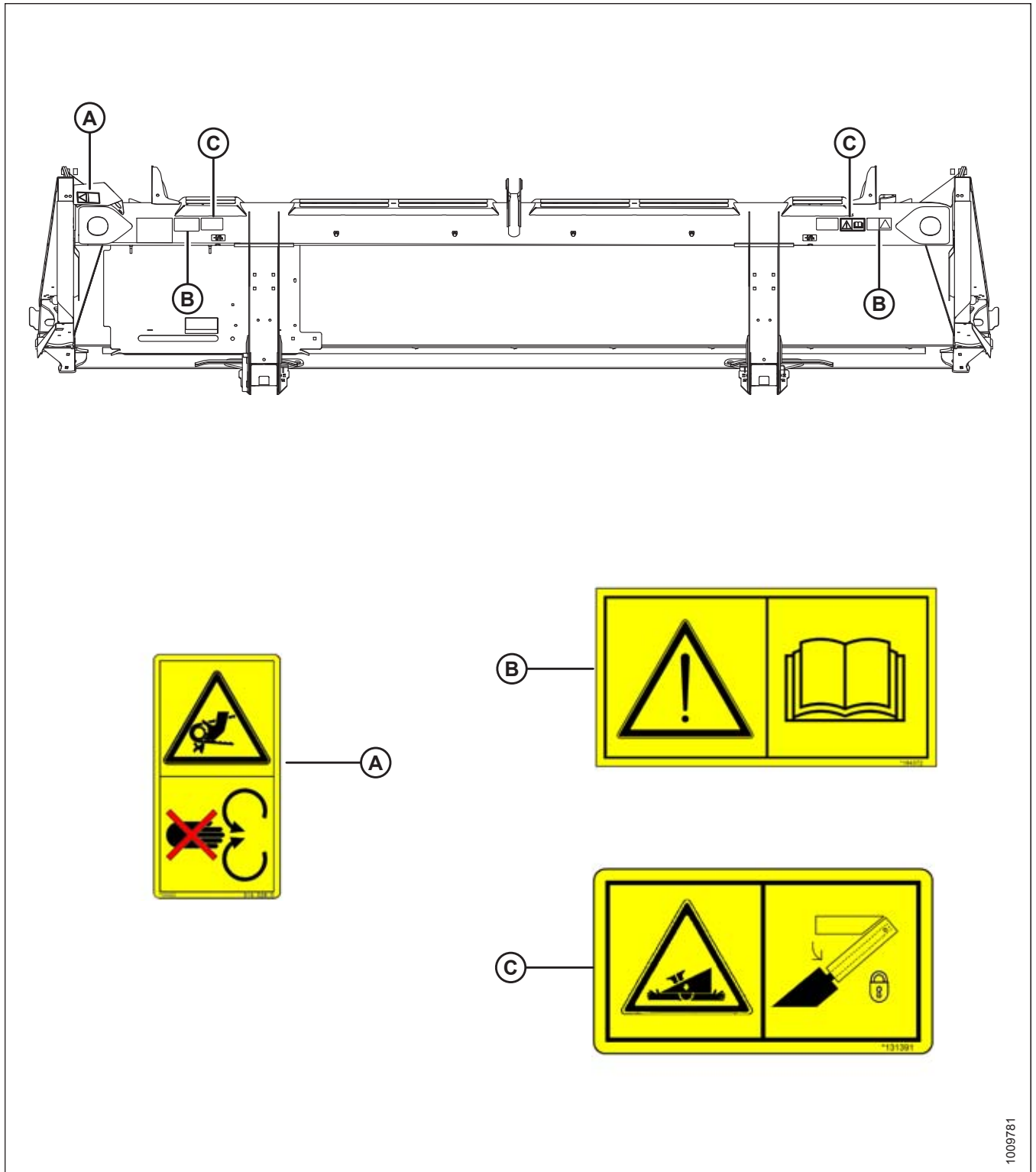
B - MD #131393 (x3 on Single Reel)
E - MD #131392 (Double Reel)

C - MD #174632
F - MD #131391 (Two Places)

1019663

SAFETY

Figure 1.20: Backtube – 4.6 M (15 Ft.) Header



A - MD #184422

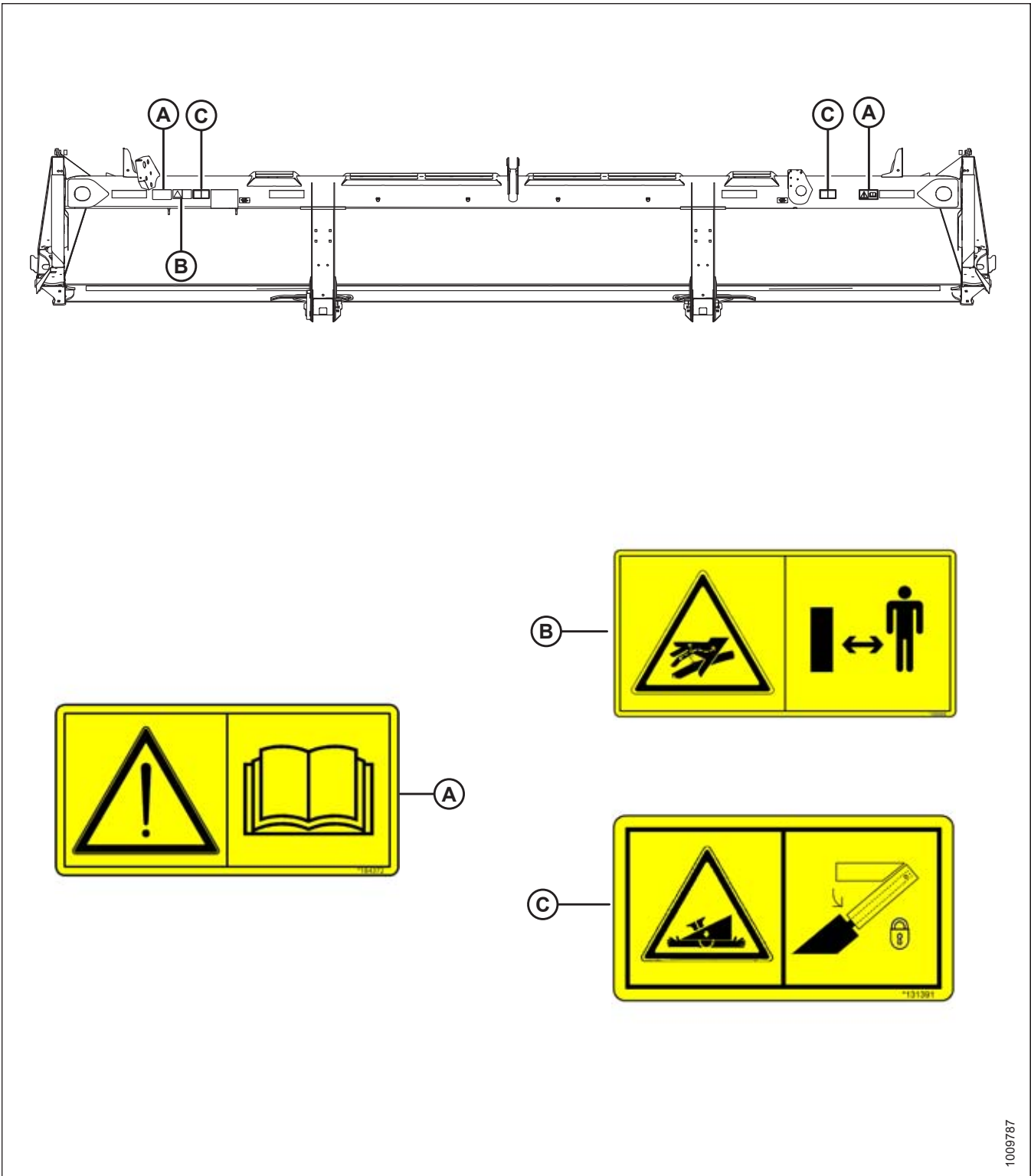
B - MD #184372

C - MD #131391

1009781

SAFETY

Figure 1.21: Backtube – 6.1 M (20 Ft.) Header



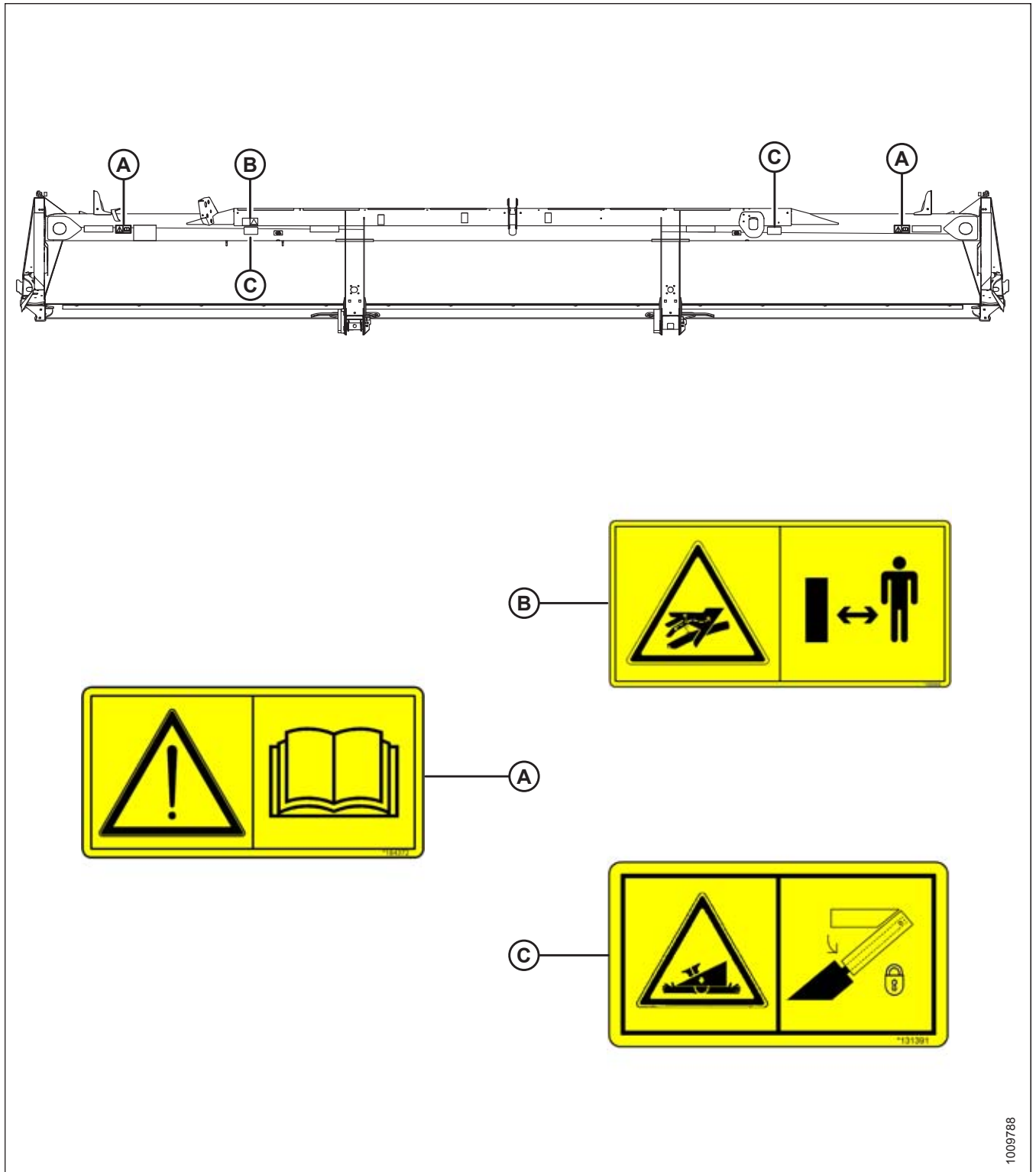
A - MD #184372

B - MD #166466

C - MD #131391

SAFETY

Figure 1.22: Backtube – 7.6 M (25 Ft.) Header



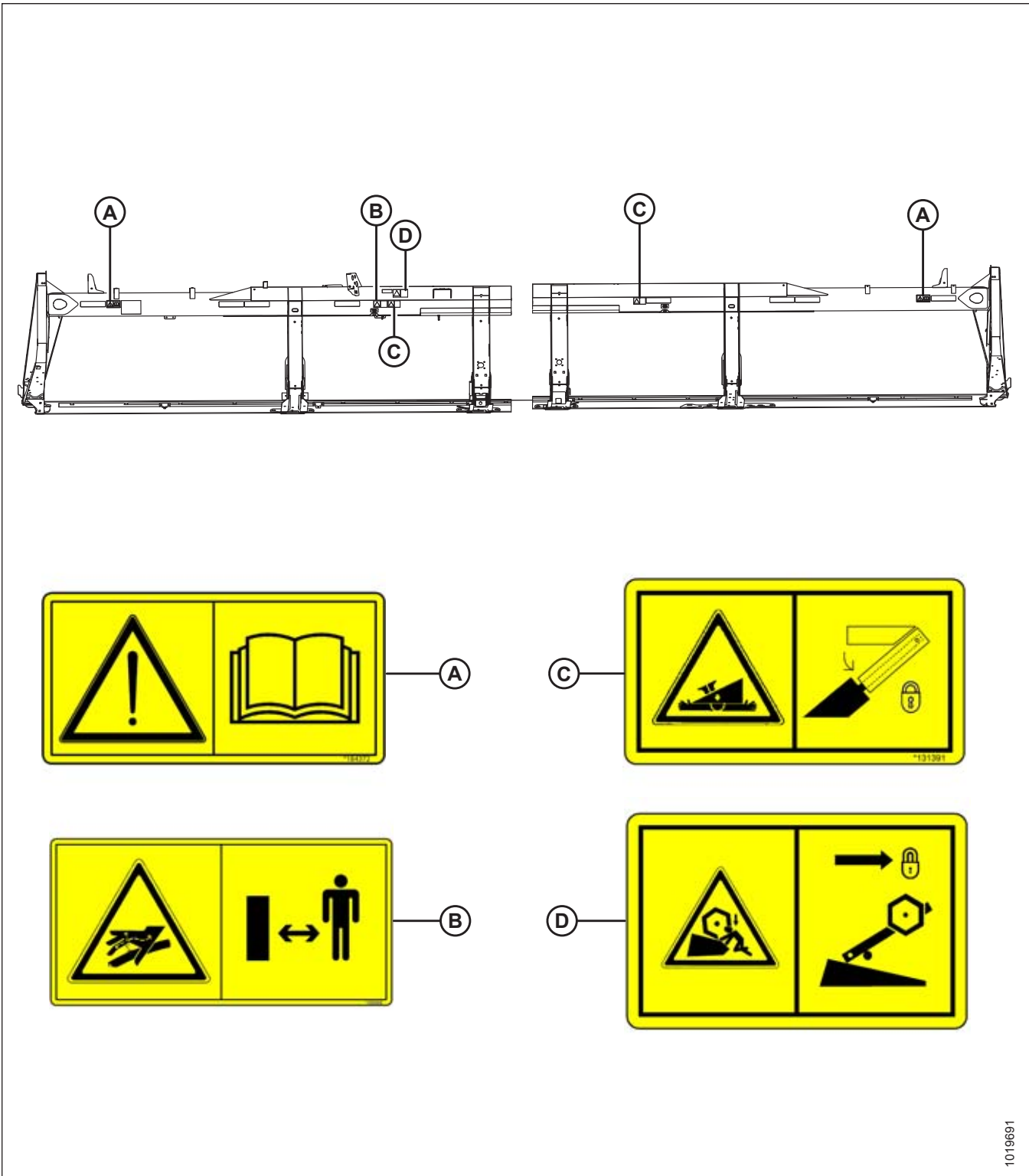
A - MD #184372

B - MD #166466

C - MD #131391

SAFETY

Figure 1.23: Backtube – 10.7 M (35 Ft.) Header (9.1 M [30 Ft.] Header Similar)



A - MD #184372

B - MD #166466

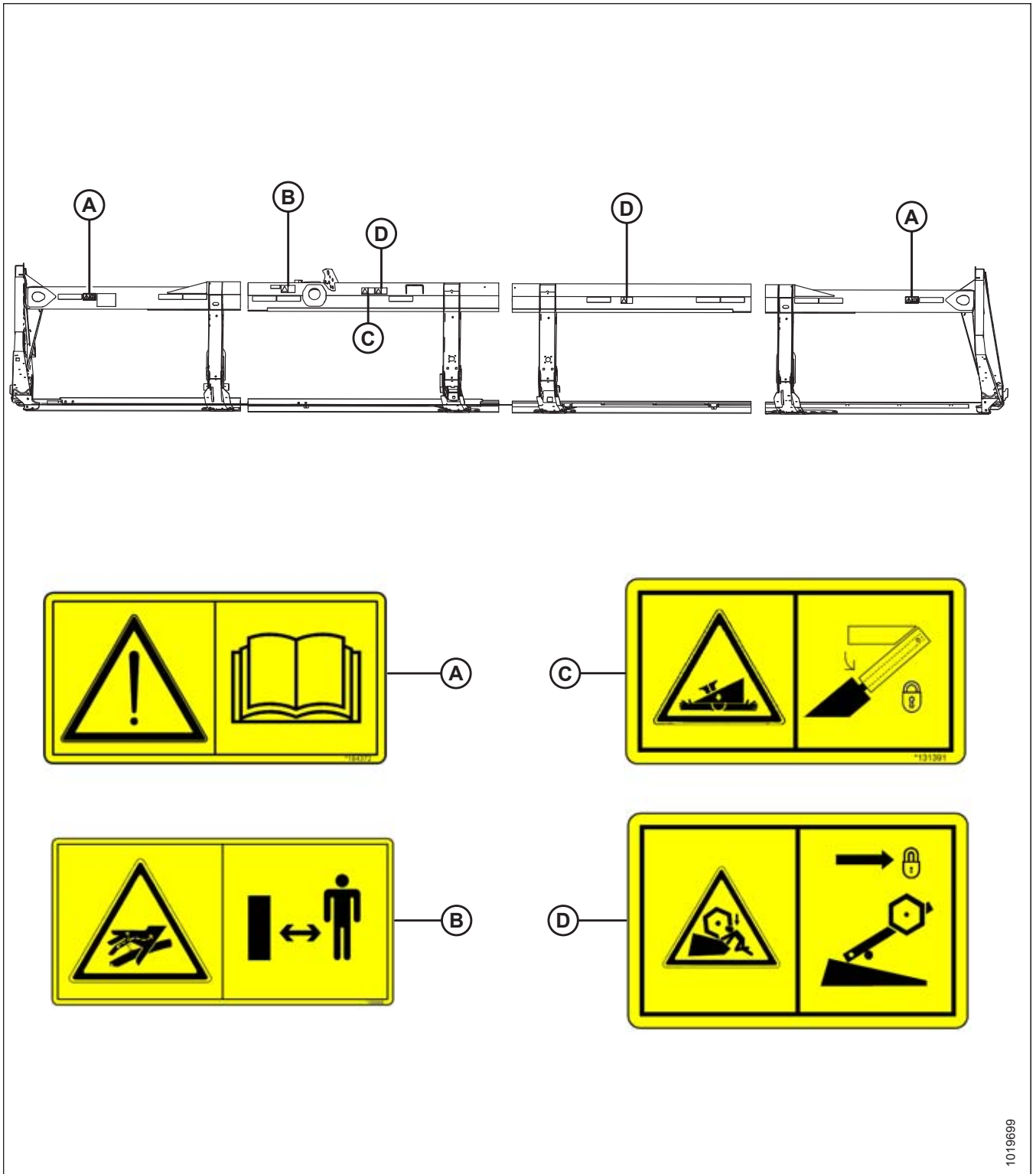
C - MD #131391

D - MD #131392
(10.7 M [35-Ft.] Double Reel Only)

1019691

SAFETY

Figure 1.24: Backtube – 12.2 M (40 Ft.) Header (13.7 M [45 Ft.] Header Similar)



A - MD #184372

B - MD #166466

C - MD #131391

D - MD #131392

1019699

1.8 Understanding Safety Signs

MD #113482

General hazard pertaining to machine operation and servicing

CAUTION

To avoid injury or death from improper or unsafe machine operation:

- Read the operator's manual and follow all safety instructions.
- Do not allow untrained persons to operate the machine.
- Review safety instructions with all Operators every year.
- Ensure that all safety signs are installed and legible.
- Make certain everyone is clear of machine before starting engine and during operation.
- Keep riders off the machine.
- Keep all shields in place and stay clear of moving parts.
- Disengage header drive, put transmission in Neutral, and wait for all movement to stop before leaving operator's position.
- Stop the engine and remove the key before servicing, adjusting, lubricating, cleaning, or unplugging machine.
- Engage safety props to prevent lowering of header or reel before servicing in the raised position.
- Use slow moving vehicle emblem and flashing warning lights when operating on roadways unless prohibited by law.



Figure 1.25: MD #113482

MD #131391

Crushing hazard

DANGER

- Rest header on ground or engage safety props before going under unit.

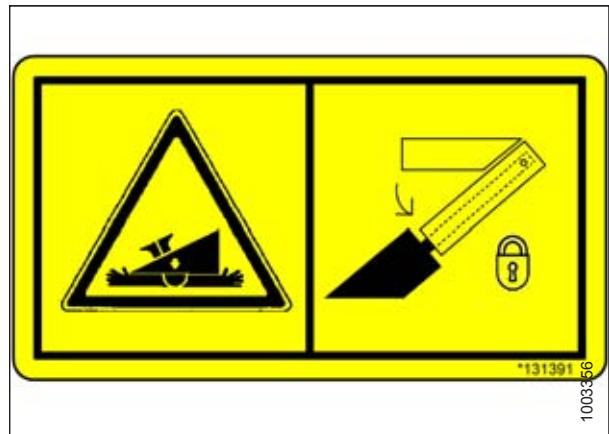


Figure 1.26: MD #131391

SAFETY

MD #131392

Crushing hazard

WARNING

- To avoid injury from fall of raised reel; fully raise reel, stop the engine, remove the key, and engage safety prop on each reel support arm before working on or under reel.

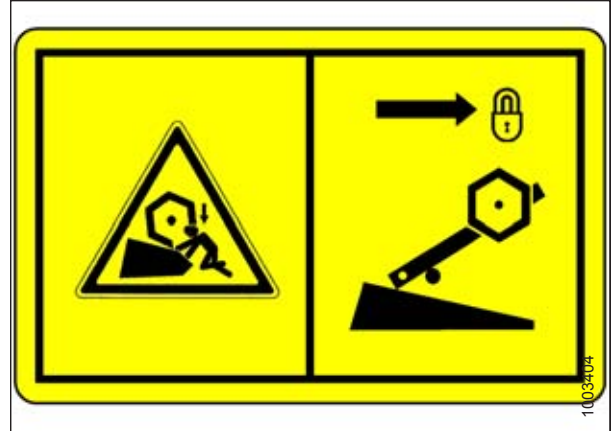


Figure 1.27: MD #131392

MD #131393

Reel hazard

WARNING

- To avoid injury from fall of raised reel; fully raise reel, stop the engine, remove the key, and engage safety prop on each reel support arm before working on or under reel.



Figure 1.28: MD #131393

MD #166466

High pressure oil hazard

WARNING

- Do not go near leaks.
- High pressure oil easily punctures skin causing serious injury, gangrene, or death.
- If injured, seek emergency medical help. Immediate surgery is required to remove oil.
- Do not use finger or skin to check for leaks.
- Lower load or relieve hydraulic pressure before loosening fittings.



Figure 1.29: MD #166466

SAFETY

MD #174436

High pressure oil hazard

WARNING

- Do not go near leaks.
- High pressure oil easily punctures skin causing serious injury, gangrene, or death.
- If injured, seek emergency medical help. Immediate surgery is required to remove oil.
- Do not use finger or skin to check for leaks.
- Lower load or relieve hydraulic pressure before loosening fittings.



Figure 1.30: MD #174436

MD #174632

Reel entanglement hazard

CAUTION

- To avoid injury from entanglement with rotating reel, stand clear of header while machine is running.



Figure 1.31: MD #174632

MD #174684

Sharp component hazard

CAUTION

- Wear heavy canvas or leather gloves when working with knife.
- Be sure no one is near the vertical knife when removing or rotating knife.



Figure 1.32: MD #174684

SAFETY

MD #184372

General hazard pertaining to machine operation and servicing

CAUTION

To avoid injury or death from improper or unsafe machine operation:

- Read the operator's manual and follow all safety instructions.
- Do not allow untrained persons to operate the machine.
- Review safety instructions with all Operators annually.
- Ensure that all safety signs are installed and legible.
- Make certain everyone is clear of machine before starting engine and during operation.
- Keep riders off the machine.
- Keep all shields in place and stay clear of moving parts.
- Disengage header drive, put transmission in Neutral, and wait for all movement to stop before leaving operator's position.
- Stop the engine and remove the key from the ignition before servicing, adjusting, lubricating, cleaning, or unplugging machine.
- Engage safety props to prevent lowering of raised unit before servicing in the raised position.
- Use slow moving vehicle emblem and flashing warning lights when operating on roadways unless prohibited by law.



Figure 1.33: MD #184372

MD #184422

Keep shields in place hazard

WARNING

- Do not place hand.
- To avoid injury, stop the engine and remove the key before opening power drive system shield.
- Keep all shields in place.



Figure 1.34: MD #184422

SAFETY

MD #193147

Transport/roading hazard

WARNING

- Ensure tow-bar lock mechanism is locked.



Figure 1.35: MD #193147

MD #220797

Tipping hazard in transport mode

WARNING

- Read the operator's manual for more information on potential tipping or rollover of header while transporting.

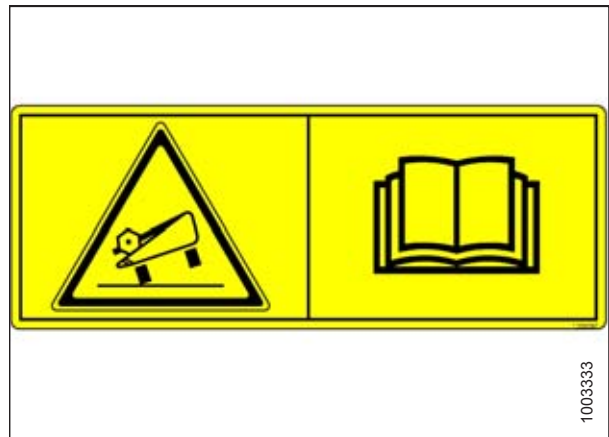


Figure 1.36: MD #220797

MD #220798

Loss of control hazard in transport

CAUTION

- Do not tow the header with a dented or otherwise damaged tow pole (the circle with the red X shows a dent in the pole).
- Consult the operator's manual for more information.



Figure 1.37: MD #220798

SAFETY

MD #220799

Transport/roading hazard

WARNING

- Ensure tow-bar lock mechanism is locked.



Figure 1.38: MD #220799

MD #279085

Auger entanglement hazard

WARNING

- To avoid injury from rotating auger, stand clear of auger while machine is running.



Figure 1.39: MD #279085

2 Product Overview

2.1 Definitions

The following terms and acronyms may be used in this manual.

Term	Definition
API	American Petroleum Institute
ASTM	American Society of Testing and Materials
Bolt	A headed and externally threaded fastener that is designed to be paired with a nut
Cab-forward	Windrower operation with Operator and cab facing in direction of travel
CDM	Cab display module on a windrower
Center-link	A hydraulic cylinder link between header and machine used to change header angle
CGVW	Combined gross vehicle weight
D1X Series header	MacDon D115X, D120X, and D125X rigid draper headers for M1 Series windrowers
D1XL Series header	MacDon D130XL, D135XL, D140XL, and D145XL rigid draper headers for M1 Series windrowers
DK	Double knife
DKD	Double-knife drive
DDD	Double-draper drive
DR	Double reel
DWA	Double Windrow Attachment
Engine-forward	Windrower operation with Operator and engine facing in direction of travel
Export header	Header configuration typical outside North America
FFFT	Flats from finger tight
Finger tight	Finger tight is a reference position where sealing surfaces or components are making contact with each other, and fitting has been tightened to a point where fitting is no longer loose
GSL	Ground speed lever
GVW	Gross vehicle weight
Hard joint	A joint made with use of a fastener where joining materials are highly incompressible
Header	A machine that cuts and lays crop into a windrow and is attached to a windrower
Hex key	A tool of hexagonal cross-section used to drive bolts and screws that have a hexagonal socket in head (internal-wrenching hexagon drive); also known as an Allen key and various other synonyms
HDS	Hydraulic deck shift
hp	Horsepower
HPT display	Harvest Performance Tracker display module on a windrower

PRODUCT OVERVIEW

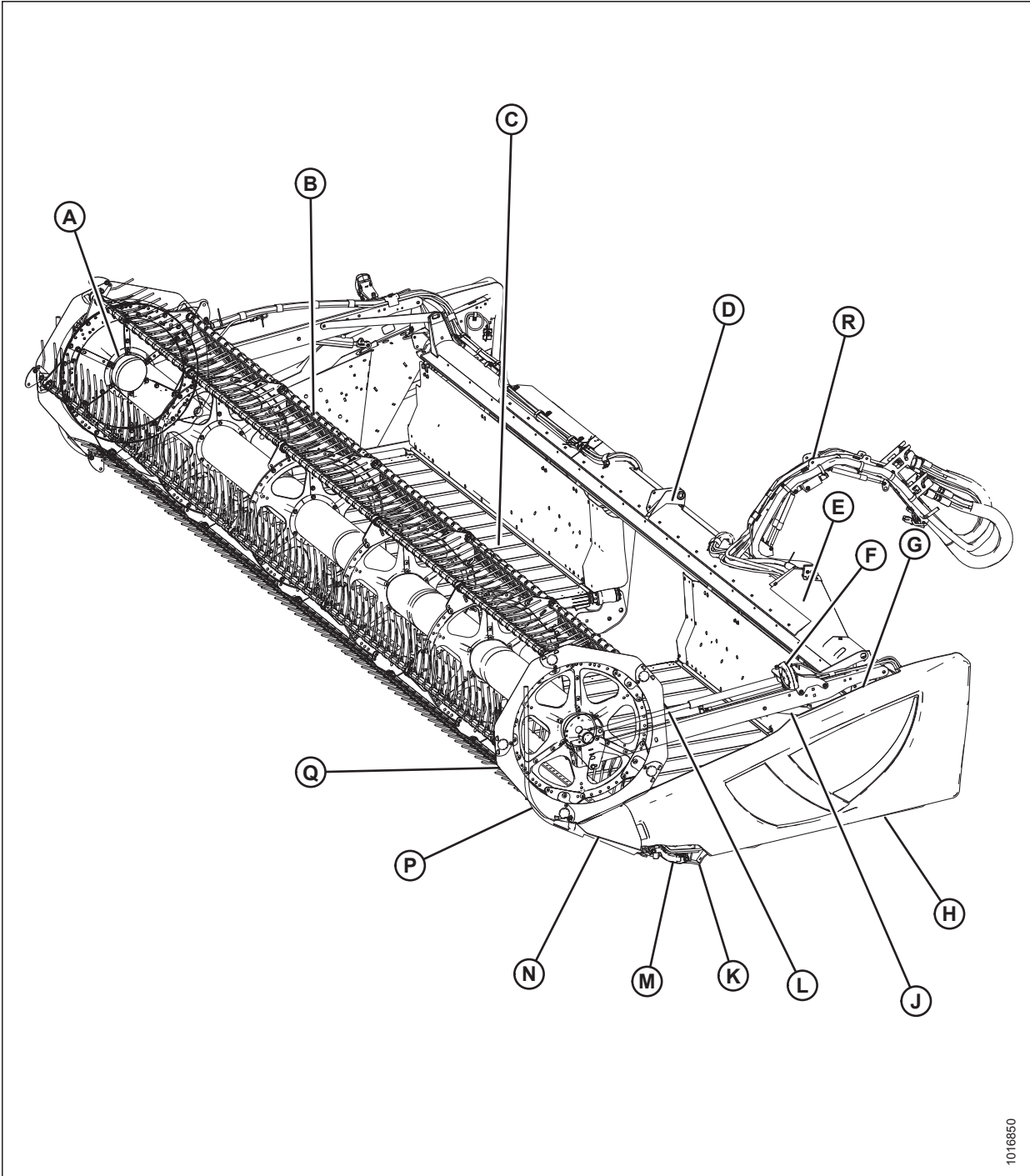
Term	Definition
ISC	Intermediate Speed Control
JIC	Joint Industrial Council: A standards body that developed standard sizing and shape for original 37° flared fitting
Knife	A cutting device which uses a reciprocating cutter (also called a sickle)
n/a	Not applicable
Untimed knife drive	Unsynchronized motion applied at cutterbar to two separately driven knives from a single hydraulic motor or two hydraulic motors
North American header	Header configuration typical in North America
NPT	National Pipe Thread: A style of fitting used for low-pressure port openings. Threads on NPT fittings are uniquely tapered for an interference fit
Nut	An internally threaded fastener that is designed to be paired with a bolt
ORB	O-ring boss: A style of fitting commonly used in port opening on manifolds, pumps, and motors
ORFS	O-ring face seal: A style of fitting commonly used for connecting hoses and tubes. This style of fitting is also commonly called ORS, which stands for O-ring seal
PARK	The slot opposite the NEUTRAL position on operator's console of M1 Series windrowers
RoHS (Reduction of Hazardous Substances)	A directive by the European Union to restrict use of certain hazardous substances (such as hexavalent chromium used in some yellow zinc platings)
rpm	Revolutions per minute
SAE	Society of Automotive Engineers
Screw	A headed and externally threaded fastener that threads into preformed threads or forms its own thread into a mating part
SDD	Single-draped drive
Self-Propelled (SP) Windrower	Self-propelled machine consisting of a power unit with a header
Soft joint	A joint made with use of a fastener where joining materials are compressible or experience relaxation over a period of time
spm	Strokes per minute
SR	Single reel
Tension	Axial load placed on a bolt or screw, usually measured in Newtons (N) or pounds (lb.)
TFFT	Turns from finger tight
Timed knife drive	Synchronized motion applied at cutterbar to two separately driven knives from a single hydraulic motor
Torque	The product of a force X lever arm length, usually measured in Newton-meters (Nm) or foot-pounds (lbf-ft)
Torque angle	A tightening procedure where fitting is assembled to a precondition (finger tight) and then nut is turned farther a number of degrees to achieve its final position

PRODUCT OVERVIEW

Term	Definition
Torque-tension	The relationship between assembly torque applied to a piece of hardware and axial load it induces in bolt or screw
Truck	A four-wheel highway/road vehicle weighing no less than 3400 kg (7500 lb.)
UCA	Upper cross auger
Washer	A thin cylinder with a hole or slot located in the center that is to be used as a spacer, load distribution element, or a locking mechanism
WCM	Windrower control module
Windrower	Power unit of a self-propelled header
WOT	Wide open throttle

2.2 Component Identification

Figure 2.1: Windrower Header Components



- A - Reel Cam
- B - Pick-Up Reel Tines
- C - Draper
- D - Center Reel Arm Prop Handle
- E - Hydraulic Connections
- F - Transport Light
- G - Reel Safety Prop
- H - Endshield
- J - Reel Lift Cylinder
- K - Skid Shoe
- L - Reel Fore-Aft Cylinder
- M - Knife Drive Box
- N - Crop Divider
- P - Crop Divider Rod
- Q - Reel Endshield
- R - Hose Support Arm

1016850

PRODUCT OVERVIEW

2.3 Specifications

The following symbol and letters are used in Table 2.1, page 27 and Table 2.2, page 29:

| D1X | D1XL | Attachments

S: standard / O_F: optional (factory installed) / O_D: optional (dealer installed) / –: not available

Table 2.1 Header Specifications

Cutterbar			
Effective cutting width (distance between crop divider points)			
D115X – 4.6 m (15 ft.) header		4572 mm (180 in.)	S
D120X – 6.1 m (20 ft.) header		6096 mm (240 in.)	S
D125X – 7.6 m (25 ft.) header		7620 mm (300 in.)	S
D130XL – 9.1 m (30 ft.) header		9144 mm (360 in.)	S
D135XL – 10.7 m (35 ft.) header		10,668 mm (420 in.)	S
D140XL – 12.2 m (40 ft.) header		12,192 mm (480 in.)	S
D145XL – 13.7 m (45 ft.) header		13,716 mm (540 in.)	S
Cutterbar lift range at guard tip (center-link fully retracted)		1265 mm (49-13/16 in.)	—
Knife			
Double-knife drive 4.6–10.7 m (15–35 ft.) (timed): One hydraulic motor with two banded-belts to two heavy duty MD knife drive boxes			S
Double-knife drive 12.2–13.7 m (40–45 ft.) (untimed): Two untimed hydraulic motors with cogged-belts to two heavy duty MD knife drive boxes			S
Knife stroke		76 mm (3 in.)	S
Double-knife speed (strokes per minute) ¹	D115X	1500–1900 spm	S
Double-knife speed (strokes per minute) ¹	D120X	1400–1700 spm	S
Double-knife speed (strokes per minute) ¹	D125X	1400–1700 spm	S
Double-knife speed (strokes per minute) ¹	D130XL	1200–1600 spm	S
Double-knife speed (strokes per minute) ¹	D135XL	1200–1400 spm	S
Double-knife speed (strokes per minute) ¹	D140XL	1100–1400 spm	S
Double-knife speed (strokes per minute) ¹	D145XL	1100–1400 spm	S
Knife Sections			
Over-serrated / solid / bolted / 9 serrations per inch			S
Over-serrated / solid / bolted / 14 serrations per inch			O _D
Knife overlap at center (double-knife headers)		3 mm (1/8 in.)	S

1. Under normal cutting conditions, set knife speed at the knife drive pulley between 600 and 640 rpm (1200 and 1280 spm). If set to low side of chart, you could experience knife stalling.

PRODUCT OVERVIEW

Table 2.1 Header Specifications (continued)

Guards and Hold-Downs			
Guard: pointed / forged / double heat treated (DHT) Hold-down: sheet metal / adjustment bolt			O _F
Guard: stub / forged bottom / forged top / adjustment plate			O _D
Guard: stub / forged bottom / sheet metal top / adjustment bolt			O _D
Guard Angle (Cutterbar on Ground)			
Center-link retracted	4.6–7.6 m (15–25 ft.)	7.5 degrees	S
Center-link retracted	9.1–13.7 m (30–45 ft.)	2.5 degrees	S
Center-link extended	4.6–7.6 m (15–25 ft.)	17.0 degrees	S
Center-link extended	9.1–13.7 m (30–45 ft.)	12.0 degrees	S
Conveyor (Draper) and Decks			
Draper width (D1X Series)		1057 mm (41.6 in.)	S
Draper width (D1XL Series)		1270 mm (50 in.)	S
Draper drive		Hydraulic	S
Draper speed		225 m/min. (0–742 fpm)	S
Delivery opening width (center delivery) / variable by shifting decks	4.6 m (15 ft.)	1540–1770 mm (60-5/8 – 69-11/16 in.)	S
Delivery opening width (center delivery) / variable by shifting decks	6.1–13.7 m (20–45 ft.)	1720–1950 mm (67-1/8 – 76-11/16 in.)	S
PR15 Pick-Up Reel			
Quantity of tine tubes		5 or 6	
Center tube diameter	10.7 m (35 ft.) (single reel only)	254 mm (10 in.)	
Center tube diameter	All reel sizes (except 10.7 m [35 ft.] single reel)	203 mm (8 in.)	
Finger tip radius	Factory-set	800 mm (31-1/2 in.)	
Finger tip radius	Adjustment range	766–800 mm (30-3/16 – 31-1/2 in.)	
Effective reel diameter (via cam profile)		1650 mm (65 in.)	
Finger length		290 mm (11 in.)	
Finger spacing (staggered on alternate bats)		150 mm (6 in.)	
Reel drive		Hydraulic	S
Reel speed (auto-adjust from cab using ground speed index)		0–85 rpm	S

PRODUCT OVERVIEW

Table 2.1 Header Specifications (continued)

Header Width (Field Mode)			
Cut width + 384 mm (15-1/8 in.)			S
Header Width (Transport Mode, Reel Fore-Aft Fully Retracted)			
D1XL Series headers	(B) ² (long dividers installed)	2845 mm (112 in.)	S
D1XL Series headers	(A) ² (long dividers removed)	2667 mm (105 in.)	S
D1X Series headers	(B) ² (long dividers installed)	2636 mm (104 in.)	S
D1X Series headers	(A) ² (long dividers removed)	2452 mm (97 in.)	S

Figure 2.2: Header Width

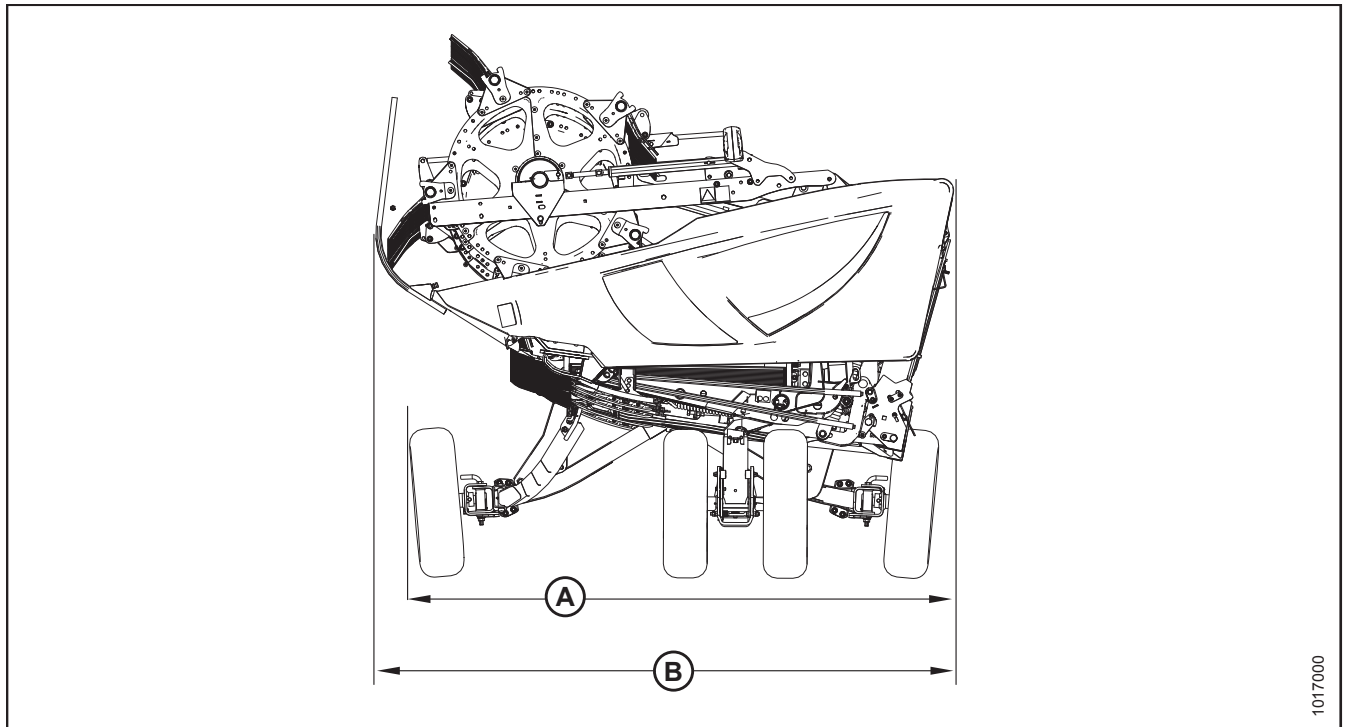


Table 2.2 Header Attachments

Upper Cross Auger			O _D
Outside diameter		305 mm (12 in.)	
Tube diameter	All sizes	152 mm (6 in.)	
Stabilizer Wheel / Slow Speed Transport			O _D
Wheels		15 in.	
Tires		P205/75 R-15	

2. Refer to Figure 2.2, page 29.

PRODUCT OVERVIEW

Table 2.3 Header Weights

Weight	
Estimated weight range with base header (variances are due to different package configurations)	
4.6 m (15 ft.) header (D115X)	1479–1538 kg (3260–3390 lb.)
6.0 m (20 ft.) header (D120X)	1678–1640 kg (3615–3700 lb.)
7.6 m (25 ft.) header (D125X)	1753 kg (3872 lb.)
9.1 m (30 ft.) header (D130XL)	2318 kg (5110 lb.)
10.7 m (35 ft.) header (D135XL)	2562–2730 kg (5649–6018 lb.)
12.2 m (40 ft.) header (D140XL)	2823 kg (6224 lb.)
13.7 m (45 ft.) header (D145XL)	2996 kg (6605 lb.)

3 Operation

3.1 Owner/Operator Responsibilities

CAUTION

- It is your responsibility to read and understand this manual completely before operating the header. Contact your MacDon Dealer if an instruction is not clear to you.
- Follow all safety messages in the manual and on safety decals on the machine.
- Remember that YOU are the key to safety. Good safety practices protect you and the people around you.
- Before allowing anyone to operate the header, for however short a time or distance, make sure they have been instructed in its safe and proper use.
- Review the manual and all safety related items with all Operators annually.
- Be alert for other Operators not using recommended procedures or not following safety precautions. Correct these mistakes immediately, before an accident occurs.
- Do NOT modify the machine. Unauthorized modifications may impair the function and/or safety of the machine and also may reduce the length of service you receive from your machine.
- The safety information given in this manual does not replace safety codes, insurance needs, or laws governing your area. Be sure your machine meets the standards set by these regulations.

3.2 Operational Safety

CAUTION

Adhere to the following safety precautions:

- Follow all safety and operational instructions provided in your operator's manuals. If you do not have a windrower manual, get one from your Dealer and read it thoroughly.
- Never attempt to start the engine or operate the machine except from the windrower seat.
- Check the operation of all controls in a safe, clear area before starting work.
- Do NOT allow riders on the windrower.

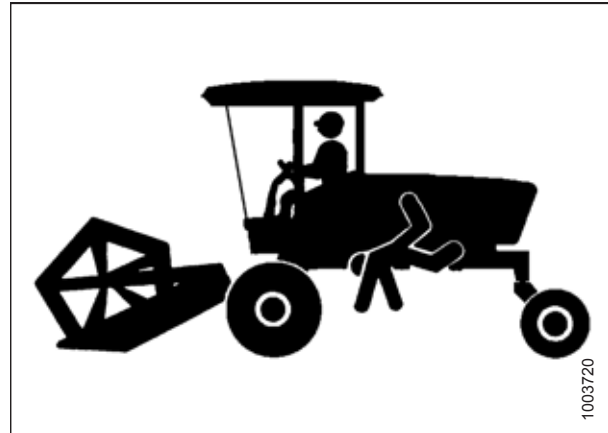


Figure 3.1: No Riders

CAUTION

- Never start or move the machine until you are sure all bystanders have cleared the area.
- Avoid travelling over loose fill, rocks, ditches, or holes.
- Drive slowly through gates and doorways.
- When working on inclines, travel uphill or downhill whenever possible. Be sure to keep transmission in gear when travelling downhill.
- Never attempt to get on or off a moving machine.
- Do NOT leave operator's station while the engine is running.

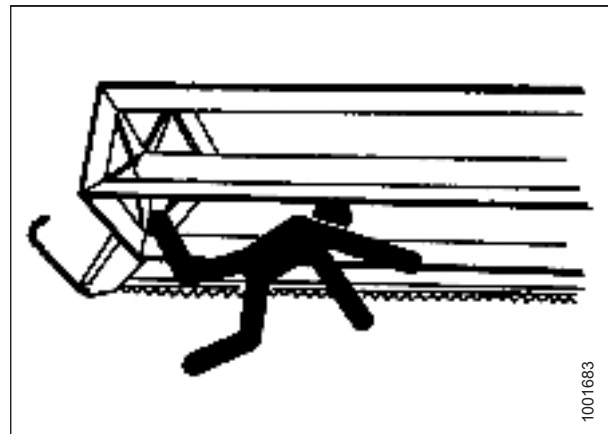


Figure 3.2: Bystander Safety

- To avoid bodily injury or death from unexpected startup of a machine, always stop the engine and remove the key before adjusting or removing plugged material from the machine.
- Check for excessive vibration and unusual noises. If there is any indication of trouble, shut down and inspect the machine. Follow proper shutdown procedure. Refer to [3.4 Shutting down the Windrower, page 42](#).
- Operate only in daylight or good artificial light.

3.2.1 Header Safety Props

The header safety props, located on the header lift cylinders, prevent the lift cylinders from unexpectedly retracting and lowering the header. Refer to your windrower operator's manual for instructions.

⚠ DANGER

To avoid bodily injury or death from unexpected start-up or fall of raised machine, always stop engine, remove key, and engage safety props before going under header for any reason.

3.2.2 Reel Safety Props

The reel safety props, located on the reel support arms, prevent the reel from unexpectedly lowering.

⚠ WARNING

To avoid bodily injury from fall of raised reel, always engage reel safety props before going under raised reel for any reason.

IMPORTANT:

To prevent damage to the reel support arms, do **NOT** transport the header with the reel safety props engaged.

Engaging Reel Safety Props

⚠ DANGER

To prevent bodily injury or death from the unexpected start-up of the machine, always stop the engine and remove the key from the ignition before making adjustments to the machine.

⚠ WARNING

To prevent bodily injury from the fall of a raised reel, always engage the reel safety props before going under the raised reel for any reason.

1. Raise the reel fully.
2. Shut down the engine, and remove the key from the ignition.
3. Move reel safety props (A) to the engaged position (as shown). **The prop MUST be placed on the top surface of raised lug (B), making contact with the cylinder mount, to ensure positive engagement.**

NOTE:

Keep pivot bolt (C) sufficiently tight so that the prop remains in the stored position when not in use, but can still be engaged using hand force.

4. Repeat the previous step on the opposite side of the header.

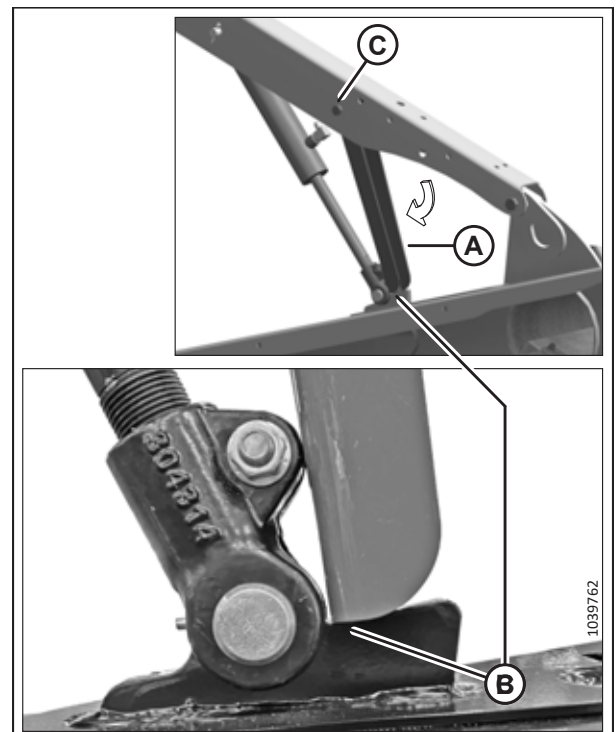


Figure 3.3: Engaged Reel Safety Prop – Left Shown

THE CONTENT ON THIS PAGE HAS CHANGED SINCE THIS MANUAL (214397 REVISION A) WAS PUBLISHED.

OPERATION

4. Use handle (A) to move lock rod to inboard position (B), which engages pin (C) under prop.
5. Lower reel until safety props contact the outer arm cylinder mounts and the center arm pins.

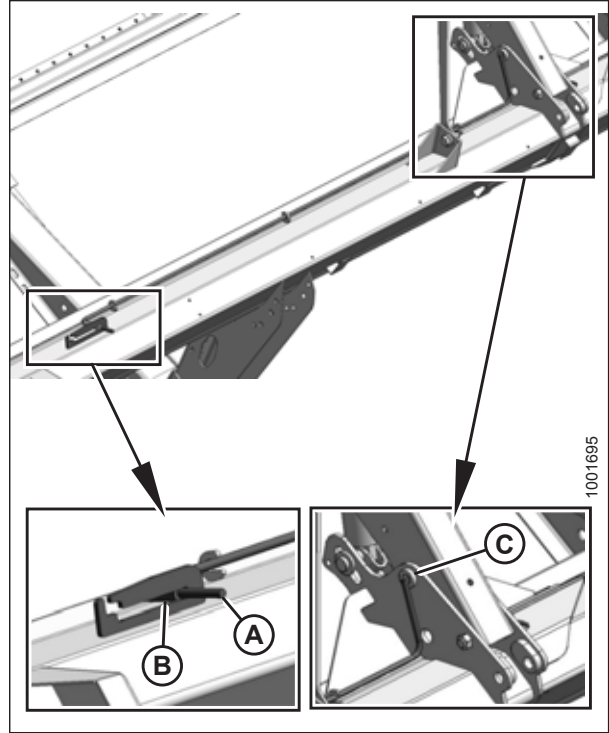


Figure 3.4: Reel Safety Prop – Center Arm

Disengaging Reel Safety Props

1. Raise the reel to maximum height.
2. Move the reel safety props (A) back inside the reel arms.

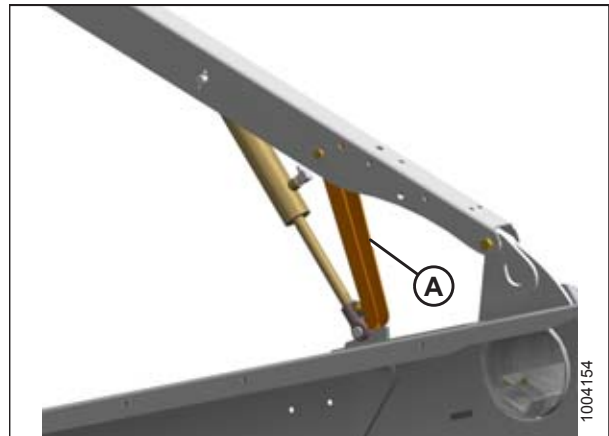


Figure 3.5: Reel Safety Prop – Left Side Shown (Right Opposite)

OPERATION

3. Use the handle (B) to move the lock rod (A) to the outboard position.

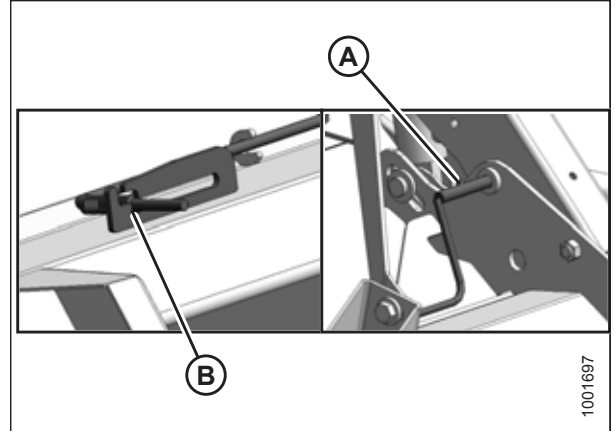


Figure 3.6: Reel Safety Prop – Center Arm

3.2.3 Endshields

A hinged, polyethylene endshield is fitted on each end of the header.

Opening Endshields

1. Push release lever (A) located on the backside of the endshield to unlock the shield.
2. Pull endshield open using handle depression (B).

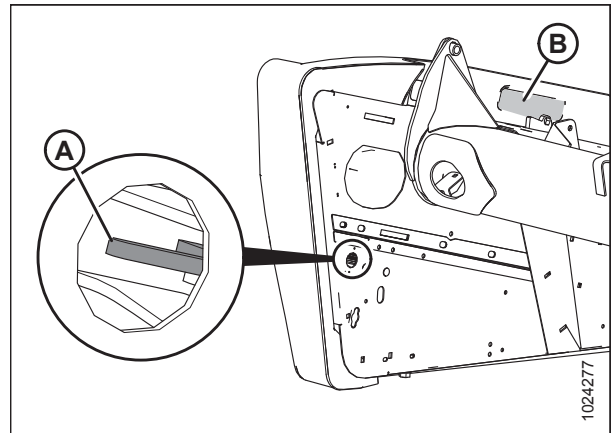


Figure 3.7: Left Endshield

3. Pull endshield at handle depression (A). Endshield is retained by a hinge tab (B) and will open in direction (C).

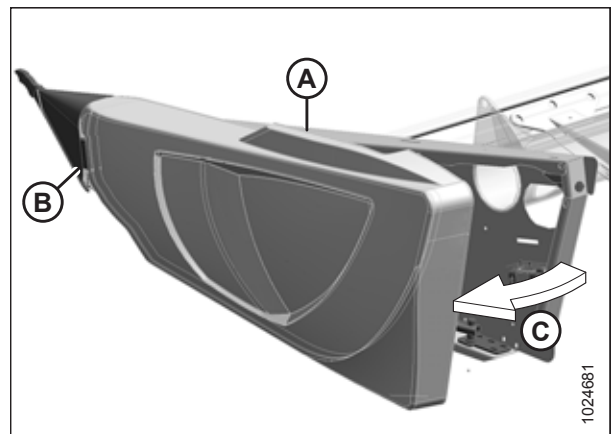


Figure 3.8: Left Endshield

OPERATION

4. If additional clearance is required, pull the endshield free of hinge tab (A) and swing shield towards the rear of the header.
5. Engage safety latch (B) on hinge arm to secure the shield in fully open position.

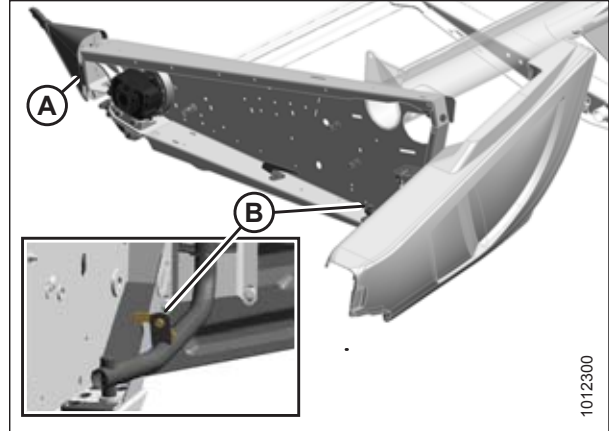


Figure 3.9: Left Endshield

Closing Endshields

1. Disengage lock (B) to allow endshield to move.
2. Insert front of endshield behind hinge tab (A) and into divider cone.

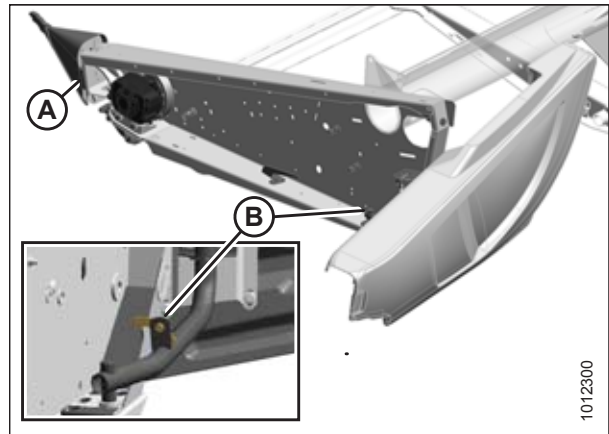


Figure 3.10: Left Endshield

3. Swing endshield in direction (A) into closed position. Engage lock with a firm push.
4. Check that endshield is locked.

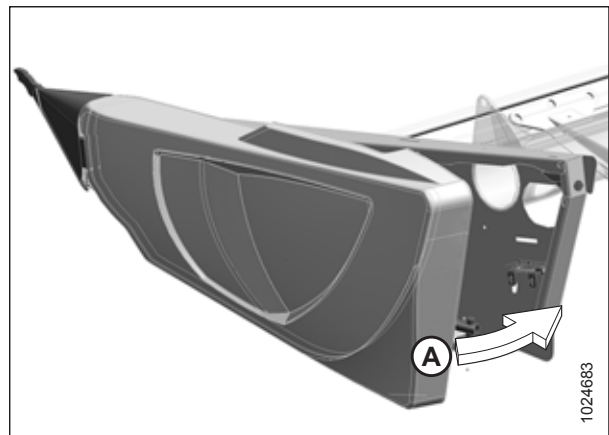


Figure 3.11: Left Endshield

OPERATION

Removing Endshields

NOTE:

D1X header shown in illustration. D1XL header similar.

1. Fully open endshield. Refer to [Opening Endshields, page 35](#).
2. Engage lock (A) to prevent endshield movement.
3. Remove self-tapping screw (B).
4. Slide endshield upwards and remove from hinge arm (C).
5. Place endshield away from work area.

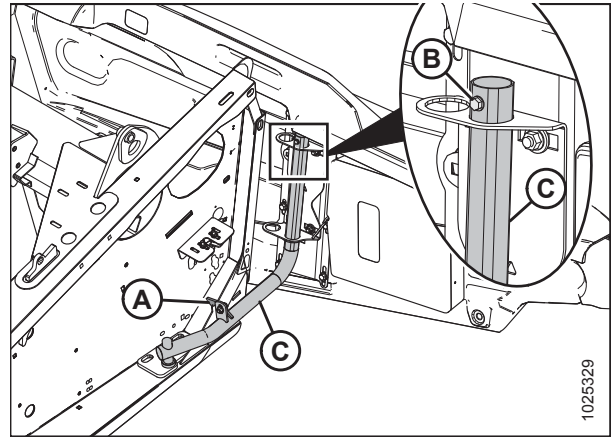


Figure 3.12: Left Endshield on D1X Header

Installing Endshields

NOTE:

D1X header shown in illustration. D1XL header similar.

1. Guide endshield onto hinge arm (C) and slowly slide it downwards.
2. Install self-tapping screw (B).
3. Disengage lock (A) to allow endshield movement.
4. Close endshield. Refer to [Closing Endshields, page 36](#).

NOTE:

Endshields may expand or contract when subjected to large temperature changes. Top pin and lower latch bracket positions can be adjusted to compensate for dimensional changes. Refer to [Checking and Adjusting Endshields, page 38](#).

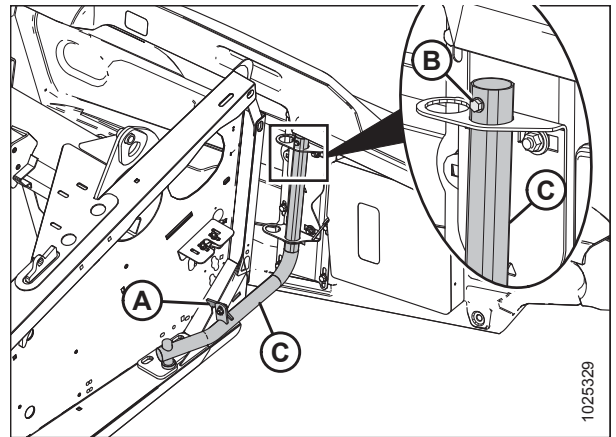


Figure 3.13: Left Endshield on D1X Header

OPERATION

Checking and Adjusting Endshields

Endshields are subject to expansion or contraction caused by large temperature variations. The position of the top pin and lower latch can be adjusted to compensate for dimensional changes.

Checking the endshield:

1. Check gap (X) between front end of shields and header frame and compare to the values in Table 3.1, page 38.

Table 3.1 Endshield Gap at Various Temperatures

Temperature in Degrees °C (°F)	Gap (X) mm (in.)
7 (45)	13–18 (1/2 – 23/32)
18 (65)	10–15 (3/8 – 19/32)
29 (85)	7–12 (9/32 – 15/32)
41 (105)	4–9 (5/32 – 11/32)

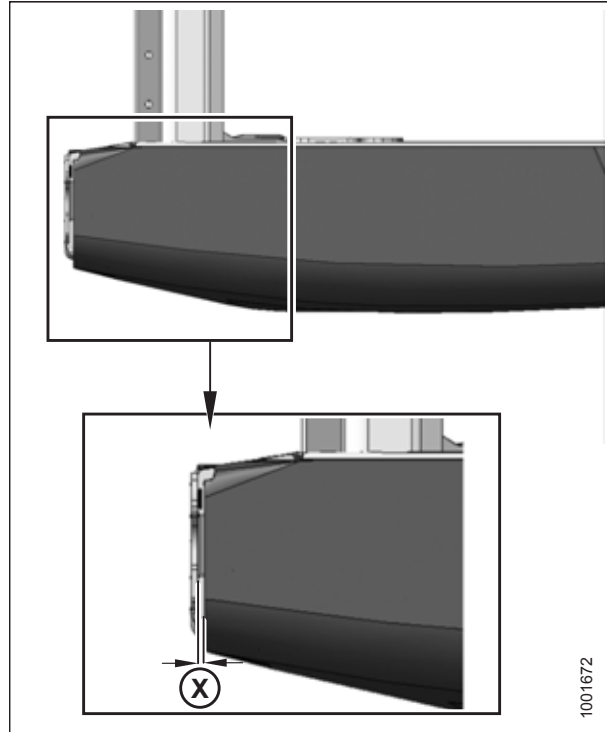


Figure 3.14: Gap between Endshield and Header Frame

Adjusting the endshield gap:

1. Loosen the four bolts (A) on the support tube bracket (B).

NOTE:

D1X header shown in illustration. D1XL header similar.

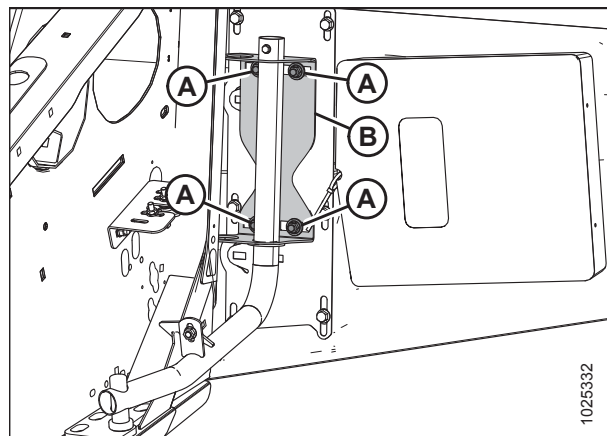


Figure 3.15: Left Endshield Support Tube on D1X Header

OPERATION

2. Loosen the three bolts (A) on latch assembly (B).
3. Adjust latch assembly (B) to achieve the desired gap between the front end of shield and header frame. Refer to Table 3.1, page 38 for recommended endshield gap at various temperatures.
4. Tighten the three bolts (A) on the latch assembly.

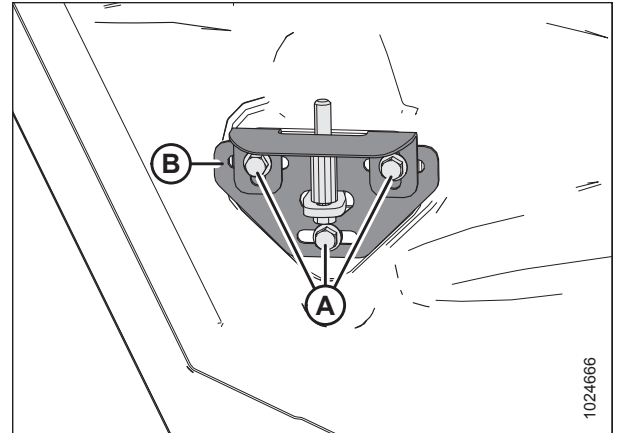


Figure 3.16: Left Endshield Latch Assembly

5. Tighten the four bolts (A) on the support tube bracket (B).
- NOTE:**
D1X header shown in illustration. D1XL header similar.
6. Close endshield.

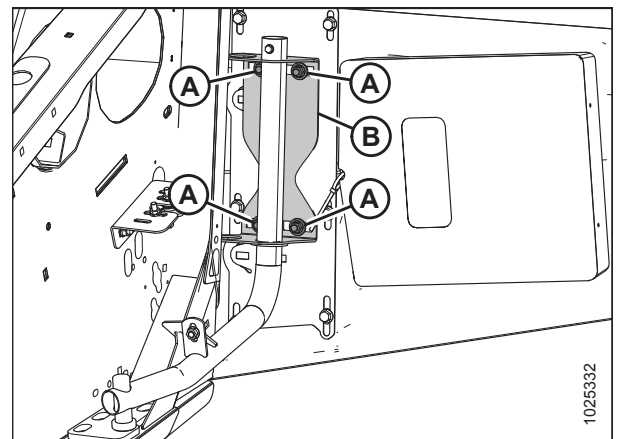


Figure 3.17: Left Endshield Support Tube on D1X Header

3.2.4 Daily Start-Up Check

⚠ CAUTION

- Clear the area of other persons, pets, etc. Keep children away from machinery. Walk around the machine to be sure no one is under, on, or close to it.
- Wear close-fitting clothing and protective shoes with slip-resistant soles.
- Remove foreign objects from the machine and surrounding area.
- Carry with you any protective clothing and personal safety devices that could be necessary through the day. Do NOT take chances. You may need a hard hat, protective glasses or goggles, heavy gloves, a respirator or filter mask, or wet weather gear.



Figure 3.18: Safety Devices

- Protect against noise. Wear a suitable hearing protective device such as ear muffs or ear plugs to protect against objectionable or uncomfortably loud noises.

Complete the following tasks each day before start-up:

1. Check the machine for leaks and any parts that are missing, broken, or not working correctly.

NOTE:

Use proper procedure when searching for pressurized fluid leaks. Refer to [5.3.5 Checking Hydraulic Hoses and Lines, page 120](#).

2. Clean all lights and reflective surfaces on the machine.
3. Perform all daily maintenance. Refer to [5.3.1 Maintenance Schedule/Record, page 116](#).

3.3 Break-in Period

CAUTION

Before investigating an unusual sound or attempting to correct a problem, shut off engine and remove key.

NOTE:

Until you become familiar with the sound and feel of your new header, be extra alert and attentive.

After attaching the header to the header for the first time, follow these steps:

1. Operate the machine with the reels, drapers, and knives running slowly for five minutes. Watch and listen **FROM THE OPERATOR'S SEAT** for binding or interfering parts.

NOTE:

Reels and side drapers will not operate until oil flow fills the lines.

2. Refer to [5.3.2 Break-In Inspection, page 118](#) and perform all the specified tasks.

3.4 Shutting down the Windrower

DANGER

To avoid bodily injury or death from unexpected start-up of machine, always stop engine and remove key from ignition before leaving operator's seat for any reason.

To shut down, and before leaving the windrower seat for any reason, follow these steps:

1. Park on level ground whenever possible.
2. Lower the header fully.
3. Place all controls in NEUTRAL or PARK.
4. Disengage the header drive.
5. Lower and fully retract the reel.
6. Stop the engine and remove the key from the ignition.
7. Wait for all movement to stop.

3.5 Cab Controls

CAUTION

Be sure all bystanders are clear of machine before starting engine or engaging any header drives.

Refer to your windrower operator's manual for identification of the following in-cab controls:

- Header engage/disengage control
- Header height
- Header angle
- Ground speed
- Reel speed
- Reel height
- Reel fore-aft position

3.6 Header Setup

3.6.1 Header Attachments

Several attachments to improve the performance of your header are available as options that can be installed by your MacDon Dealer. Refer to [6 Options and Attachments, page 243](#) for descriptions of available items.

3.6.2 Header Settings

Refer also to [3.6.3 Reel Settings, page 54](#).

Table 3.2 Recommended D1X/D1XL Header Settings for Canola, Stubble Height 102–203 mm (4–8 in.)

Stabilizer Wheels ³	Variable									
Float N (lbf) ⁴	311–445 (70–100)									
Crop Condition	Divider Rods	Header Angle ⁵	Skid Shoe Position ⁶	Reel Cam ⁷	Reel Speed % ⁸	Knife Speed ⁹	Reel Position ¹⁰	Upper Cross Auger		
Light	On	8–10	Variable	2	5–10	Medium	6 or 7	Not required		
Normal	On	8–10	Middle or Down	1	10	Low	6 or 7	Not required		
Heavy	On	8–10	Variable	1	10	Low	3 or 4	Recommended		
Lodged	On	8–10	Middle or Down	2	5–10	Low	3 or 4	Recommended		

3. Stabilizer wheels are used to limit the side-to-side movement when cutting off the ground in rolling terrain and to minimize bouncing.
4. Force required to lift header at ends. Refer to your windrower operator's manual for adjustment procedures.
5. Set header angle as shallow as possible (setting A) with center-link and skid shoes while maintaining cutting height. Refer to *Header Angle*.
6. Skid shoe position is used in combination with header angle to determine the cutting height when cutting on or very close to the ground. Refer to *Adjusting Skid Shoes*.
7. Refer to *Reel Cam Settings*.
8. Percentage above ground speed.
9. Refer to *Knife Speed*.
10. Refer to *Reel Fore-Aft Position*.

Table 3.3 Recommended D1X/D1XL Header Settings for Canola, Stubble Height >203 mm (>8 in.)

Stabilizer Wheels ¹¹	Variable									
Float N (lbf) ¹²	667 (150)									
Crop Condition	Divider Rods	Header Angle ¹³	Skid Shoe Position ¹⁴	Reel Cam ¹⁵	Reel Speed % ¹⁶	Knife Speed ¹⁷	Reel Position ¹⁸	Upper Cross Auger		
Light	On	8–10	Not applicable	2	5–10	Medium	6 or 7	Not required		
Normal	On	8–10	Not applicable	2	10	Low	6 or 7	Not required		
Heavy	On	8–10	Not applicable	3	10	Low	3 or 4	Recommended		
Lodged	On	8–10	Not applicable	3	5–10	Low	3 or 4	Recommended		

11. Stabilizer wheels are used to limit the side-to-side movement when cutting off the ground in rolling terrain and to minimize bouncing.
12. Force required to lift header at ends. Refer to your windrower operator's manual for adjustment procedures.
13. Set header angle as shallow as possible (setting A) with center-link and skid shoes while maintaining cutting height. Refer to *Header Angle*.
14. Skid shoe position is used in combination with header angle to determine the cutting height when cutting on or very close to the ground. Refer to *Adjusting Skid Shoes*.
15. Refer to *Reel Cam Settings*.
16. Percentage above ground speed.
17. Refer to *Knife Speed*.
18. Refer to *Reel Fore-Aft Position*.

Table 3.4 Recommended D1X/D1XL Header Settings for Cereals, Stubble Height <102 mm (<4 in.)

Stabilizer Wheels ¹⁹	Storage									
Float N (lbf) ²⁰	311 (70)									
Crop Condition	Divider Rods	Header Angle ²¹	Skid Shoe Position ²²	Reel Cam ²³	Reel Speed % ²⁴	Knife Speed ²⁵	Reel Position ²⁶	Upper Cross Auger		
Light	On	0–3	Up or Middle	2	10–15	High	6 or 7	Not required		
Normal	On	0–3	Up or Middle	2	10	Medium	6 or 7	Not required		
Heavy	On	4–7	Up or Middle	2	10	Medium	6 or 7	Not required		
Lodged	On	4–7	Up or Middle	3	5–10	Medium	4 or 5	Not required		

19. Stabilizer wheels are used to limit the side-to-side movement when cutting off the ground in rolling terrain and to minimize bouncing.

20. Force required to lift header at ends. Refer to your windrower operator's manual for adjustment procedures.

21. Set header angle as shallow as possible (setting A) with center-link and skid shoes while maintaining cutting height. Refer to *Header Angle*.

22. Skid shoe position is used in combination with header angle to determine the cutting height when cutting on or very close to the ground. Refer to *Adjusting Skid Shoes*.

23. Refer to *Reel Cam Settings*.

24. Percentage above ground speed.

25. Refer to *Knife Speed*.

26. Refer to *Reel Fore-Aft Position*.

Table 3.5 Recommended D1X/D1XL Header Settings for Cereals, Stubble Height 102–203 mm (4–8 in.)

Stabilizer Wheels ²⁷	Variable										
Float N (lbf) ²⁸	311 (70)										
Crop Condition	Divider Rods	Header Angle ²⁹	Skid Shoe Position ³⁰	Reel Cam ³¹	Reel Speed % ³²	Knife Speed ³³	Reel Position ³⁴	Upper Cross Auger			
Light	On	0–3	Middle or Down	2	10–15	High	6 or 7	Not required			
Normal	On	0–3	Middle or Down	2	10	Medium	6 or 7	Not required			
Heavy	On	4–7	Middle or Down	2	10	Medium	6 or 7	Not required			
Lodged	On	4–7	Down	3	5–10	Medium	4 or 5	Not required			

27. Stabilizer wheels are used to limit the side-to-side movement when cutting off the ground in rolling terrain and to minimize bouncing.

28. Force required to lift header at ends. Refer to your windrower operator’s manual for adjustment procedures.

29. Set header angle as shallow as possible (setting A) with center-link and skid shoes while maintaining cutting height. Refer to *Header Angle*.

30. Skid shoe position is used in combination with header angle to determine the cutting height when cutting on or very close to the ground. Refer to *Adjusting Skid Shoes*.

31. Refer to *Reel Cam Settings*.

32. Percentage above ground speed.

33. Refer to *Knife Speed*.

34. Refer to *Reel Fore-Aft Position*.

Table 3.6 Recommended D1X/D1XL Header Settings for Cereals, Stubble Height >203 mm (>8 in.)

Stabilizer Wheels ³⁵	Variable									
Float N (lbf) ³⁶	667 (150)									
Crop Condition	Divider Rods	Header Angle ³⁷	Skid Shoe Position ³⁸	Reel Cam ³⁹	Reel Speed % ⁴⁰	Knife Speed ⁴¹	Reel Position ⁴²	Upper Cross Auger		
Light	On	0–3	Not applicable	2	10–15	High	6 or 7	Not required		
Normal	On	0–3	Not applicable	2	10	Medium	6 or 7	Not required		
Heavy	On	4–7	Not applicable	2	10	Medium	6 or 7	Not required		
Lodged	On	4–7	Not applicable	3	5–10	Medium	4 or 5	Not required		

35. Stabilizer wheels are used to limit the side-to-side movement when cutting off the ground in rolling terrain and to minimize bouncing.

36. Force required to lift header at ends. Refer to your windrower operator's manual for adjustment procedures.

37. Set header angle as shallow as possible (setting A) with center-link and skid shoes while maintaining cutting height. Refer to *Header Angle*.

38. Skid shoe position is used in combination with header angle to determine the cutting height when cutting on or very close to the ground. Refer to *Adjusting Skid Shoes*.

39. Refer to *Reel Cam Settings*.

40. Percentage above ground speed.

41. Refer to *Knife Speed*.

42. Refer to *Reel Fore-Aft Position*.

Table 3.7 Recommended D1X/D1XL Header Settings for Edible Beans, Ground Level Stubble Height (0 mm [0 in.])

Stabilizer Wheels ⁴³	Storage									
Float N (lbf) ⁴⁴	445 (100)									
Crop Condition	Divider Rods	Header Angle ⁴⁵	Skid Shoe Position ⁴⁶	Reel Cam ⁴⁷	Reel Speed % ⁴⁸	Knife Speed ⁴⁹	Reel Position ⁵⁰	Upper Cross Auger		
Light	Off	8–10	Up or Middle	2	5–10	Medium	3 or 4	Not required		
Normal	Off	8–10	Up or Middle	2	5–10	Medium	3 or 4	Not required		
Heavy	Off	8–10	Up or Middle	2	5–10	Medium	3 or 4	Not required		
Lodged	Off	8–10	Up or Middle	3	5–10	Medium	3 or 4	Not required		

43. Stabilizer wheels are used to limit the side-to-side movement when cutting off the ground in rolling terrain and to minimize bouncing.

44. Force required to lift header at ends. Refer to your windrower operator's manual for adjustment procedures.

45. Set header angle as shallow as possible (setting A) with center-link and skid shoes while maintaining cutting height. Refer to *Header Angle*.

46. Skid shoe position is used in combination with header angle to determine the cutting height when cutting on or very close to the ground. Refer to *Adjusting Skid Shoes*.

47. Refer to *Reel Cam Settings*.

48. Percentage above ground speed.

49. Refer to *Knife Speed*.

50. Refer to *Reel Fore-Aft Position*.

Table 3.8 Recommended D1X/D1XL Header Settings for Flax, Stubble Height 51–153 mm (2–6 in.)

Stabilizer Wheels ⁵¹	Variable									
Float N (lbf) ⁵²	311–445 (70–100)									
Crop Condition	Divider Rods	Header Angle ⁵³	Skid Shoe Position ⁵⁴	Reel Cam ⁵⁵	Reel Speed % ⁵⁶	Knife Speed ⁵⁷	Reel Position ⁵⁸	Upper Cross Auger		
Light	On	4–7	Middle or Down	2	5–10	High	6 or 7	Not required		
Normal	On	0–3	Middle or Down	2	10	High	6 or 7	Not required		
Heavy	On	4–7	Middle or Down	2	10	High	6 or 7	Not required		
Lodged	On	8–10	Middle or Down	2	10	High	6 or 7	Not required		

51. Stabilizer wheels are used to limit the side-to-side movement when cutting off the ground in rolling terrain and to minimize bouncing.

52. Force required to lift header at ends. Refer to your windrower operator's manual for adjustment procedures.

53. Set header angle as shallow as possible (setting A) with center-link and skid shoes while maintaining cutting height. Refer to *Header Angle*.

54. Skid shoe position is used in combination with header angle to determine the cutting height when cutting on or very close to the ground. Refer to *Adjusting Skid Shoes*.

55. Refer to *Reel Cam Settings*.

56. Percentage above ground speed.

57. Refer to *Knife Speed*.

58. Refer to *Reel Fore-Aft Position*.

Table 3.9 Recommended D1X/D1XL Header Settings for Grass, Ground Level Stubble Height (0 mm [0 in.])

Stabilizer Wheels ⁵⁹	Storage									
Float N (lbf) ⁶⁰	311–445 (70–100)									
Crop Condition	Divider Rods	Header Angle ⁶¹	Skid Shoe Position ⁶²	Reel Cam ⁶³	Reel Speed % ⁶⁴	Knife Speed ⁶⁵	Reel Position ⁶⁶	Upper Cross Auger		
Light	On	Variable	Up or Middle	2	10	High	6 or 7	Not required		
Normal	On	Variable	Up or Middle	2	10	High	6 or 7	Not required		
Heavy	On	Variable	Up or Middle	2	10	High	6 or 7	Not required		
Lodged	On	Variable	Up or Middle	2	10–15	High	6 or 7	Not required		

59. Stabilizer wheels are used to limit the side-to-side movement when cutting off the ground in rolling terrain and to minimize bouncing.

60. Force required to lift header at ends. Refer to your windrower operator's manual for adjustment procedures.

61. Set header angle as shallow as possible (setting A) with center-link and skid shoes while maintaining cutting height. Refer to *Header Angle*.

62. Skid shoe position is used in combination with header angle to determine the cutting height when cutting on or very close to the ground. Refer to *Adjusting Skid Shoes*.

63. Refer to *Reel Cam Settings*.

64. Percentage above ground speed.

65. Refer to *Knife Speed*.

66. Refer to *Reel Fore-Aft Position*.

Table 3.10 Recommended D1X/D1XL Header Settings for Alfalfa, Ground Level Stubble Height (0 mm [0 in.])

Stabilizer Wheels ⁶⁷	Storage									
Float N (lbf) ⁶⁸	311–445 (70–100)									
Crop Condition	Divider Rods	Header Angle ⁶⁹	Skid Shoe Position ⁷⁰	Reel Cam ⁷¹	Reel Speed % ⁷²	Knife Speed ⁷³	Reel Position ⁷⁴	Upper Cross Auger		
Light	On	Variable	Up or Middle	3	10	High	6 or 7	Not required		
Normal	On	Variable	Up or Middle	2	10	High	6 or 7	Not required		
Heavy	On	Variable	Up or Middle	2	10	High	6 or 7	Not required		
Lodged	On	Variable	Up or Middle	3	10–15	High	6 or 7	Not required		

67. Stabilizer wheels are used to limit the side-to-side movement when cutting off the ground in rolling terrain and to minimize bouncing.

68. Force required to lift header at ends. Refer to your windrower operator's manual for adjustment procedures.

69. Set header angle as shallow as possible (setting A) with center-link and skid shoes while maintaining cutting height. Refer to *Header Angle*.

70. Skid shoe position is used in combination with header angle to determine the cutting height when cutting on or very close to the ground. Refer to *Adjusting Skid Shoes*.

71. Refer to *Reel Cam Settings*.

72. Percentage above ground speed.

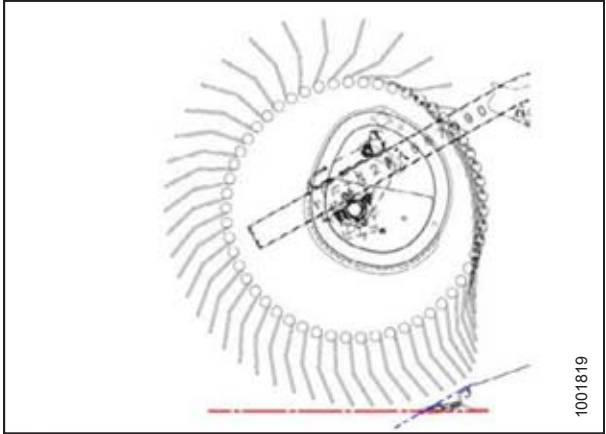
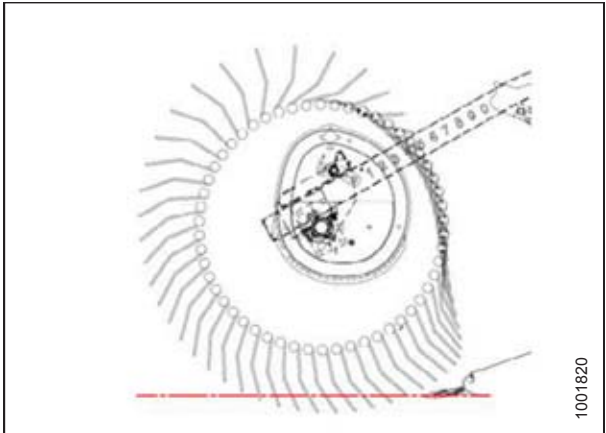
73. Refer to *Knife Speed*.

74. Refer to *Reel Fore-Aft Position*.

3.6.3 Reel Settings

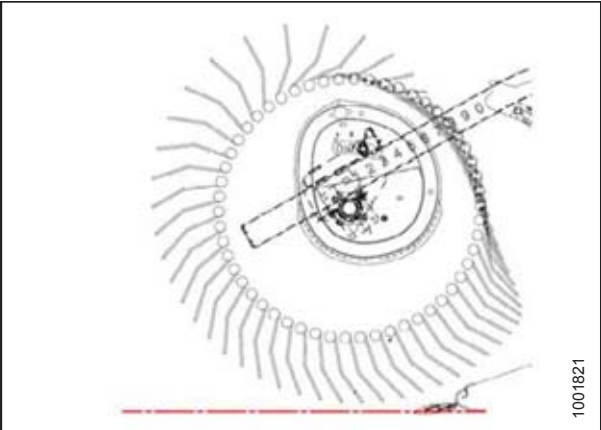
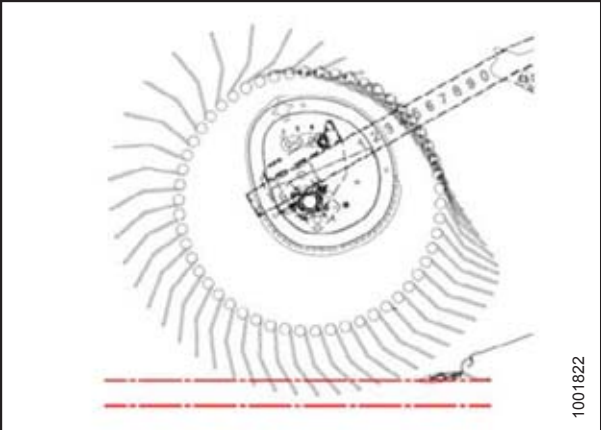
Table 3.11, page 54 illustrates the profile of the reel at each cam or finger pitch setting as well as the reel position relative to the ground at different positions on the reel arm. Refer to 3.6.2 Header Settings, page 44 for the applicability of each finger pattern and reel position.

Table 3.11 Recommended Reel Settings

Cam Setting Number (Finger Speed Gain)	Reel Position Number	Reel Finger Pattern
1 (0)	6 or 7	
2 (20%)	3 or 4	

OPERATION

Table 3.11 Recommended Reel Settings (continued)

Cam Setting Number (Finger Speed Gain)	Reel Position Number	Reel Finger Pattern
3 (30%)	6 or 7	
4 (35%)	2 or 3	

NOTE:

- Adjust the reel forward to get closer to the ground while tilting the header back. Fingers/tines will dig into the ground at extreme reel-forward positions, so adjust skid shoes or header angle to compensate. Adjust the reel rearwards to position the reel farther away from the ground when tilting the header forward.
- Header tilt can be increased to position the reel closer to the ground, or decreased to position the reel farther from the ground, while keeping material flowing onto drapers.
- To leave the maximum amount of stubble behind in lodged crop, raise the header and increase the header tilt to keep the reel close to the ground. Position the reel fully forward.
- The reel may have to be moved back to prevent lumps or plugging on the cutterbar in thinner crops.
- Minimum crop carrying capacity (minimum area of exposed draper between the reel and the header backsheets) occurs with the reel in the farthest aft position.
- Maximum crop carrying capacity (maximum area of exposed draper between the reel and the header backsheets) occurs with the reel in the farthest forward position.
- The tip speed of the fingers/tines at the cutterbar becomes higher than the reel speed at higher cam settings due to the nature of the cam action. Refer to Table 3.11, page 54.

3.7 Header Operating Variables

Satisfactory function of the header in all situations requires making proper adjustments to suit various crops and conditions.

Correct operation reduces crop loss and increases productivity. As well, proper adjustments and timely maintenance will increase the length of service you receive from your machine.

The variables listed in Table 3.12, page 56 and detailed on the following pages will affect the performance of your header.

You will quickly become adept at adjusting the machine to achieve the results you desire. Most of the adjustments have been preset at the factory, but the settings can be changed to suit crop conditions.

Table 3.12 Operating Variables

Variable	Refer to
Cutting height	3.7.1 Cutting Height, page 56
Header float	3.7.2 Header Float, page 61
Header angle	3.7.3 Header Angle, page 62
Reel speed	3.7.4 Reel Speed, page 63
Ground speed	3.7.5 Ground Speed, page 64
Reel height	3.7.8 Reel Height, page 65
Reel fore-aft position	3.7.9 Reel Fore-Aft Position, page 66
Reel tine pitch	3.7.10 Reel Tine Pitch, page 67
Crop divider rods	3.7.12 Crop Divider Rods, page 75

3.7.1 Cutting Height

The header design allows you to cut the crop above the ground in relation to the desired stubble height or to cut the crop at ground level with the header on the ground. Cutting height will vary depending on a range of factors including crop type, crop conditions, etc.

Cutting off the Ground

The stabilizer wheel system is designed to minimize bouncing at the header ends and may be used to float the header to achieve an even cutting height when cutting above ground level in cereal grains. The system produces even stubble height and greatly reduces operator fatigue.

Cutting height is controlled using a combination of the windrower header height control and a stabilizer wheel system (or stabilizer/slow speed transport wheel system).

The header stabilizer wheel system (or stabilizer/slow speed transport wheel system) is available for all header widths.

If stabilizer wheels are installed, refer to [Adjusting Stabilizer Wheels, page 58](#) to change the wheel position.

If stabilizer/slow speed transport wheels are installed, refer to [Adjusting Stabilizer/Slow Speed Transport Wheels, page 57](#) to change the wheel position.

OPERATION

Adjusting Stabilizer/Slow Speed Transport Wheels

A properly adjusted header will achieve a balance between the amount of header weight carried by the float and the amount carried by the stabilizer/slow speed transport wheels.

Refer to *3.6.2 Header Settings, page 44* for recommended use in specific crops and crop conditions.

DANGER

To avoid bodily injury or death from unexpected start-up of machine, always stop engine and remove key from ignition before leaving operator's seat for any reason.

1. Raise the header so the stabilizer wheels are off the ground. Shut down engine and remove the key.
2. Check that the float is working properly. Refer to your windrower operator's manual for instructions.

CAUTION

Handle may be under tension, especially when the wheels are on the ground. Raise header so that wheels are off the ground before making adjustments.

3. Remove hairpin (A) from the latch on the right wheel assembly.
4. Disengage latch (B), lift wheel out of hook, and place wheel on the ground as shown. (This reduces weight of assembly and makes adjusting wheel position easier.)
5. Lift left wheel slightly to support weight of the wheel, and pull handle (C) upwards to release lock.
6. Lift left wheel to desired height and engage support channel into slot (D) in upper support.
7. Push down on handle (C) to lock.
8. Lift right wheel back into field position and ensure latch (B) is engaged.
9. Secure latch with hairpin (A).
10. Support wheel weight by lifting slightly with one hand, and pull up on handle (A) to release lock.
11. Lift wheels to desired height, and engage support channel into slot (B) in upper support.
12. Push down on handle (A) to lock.

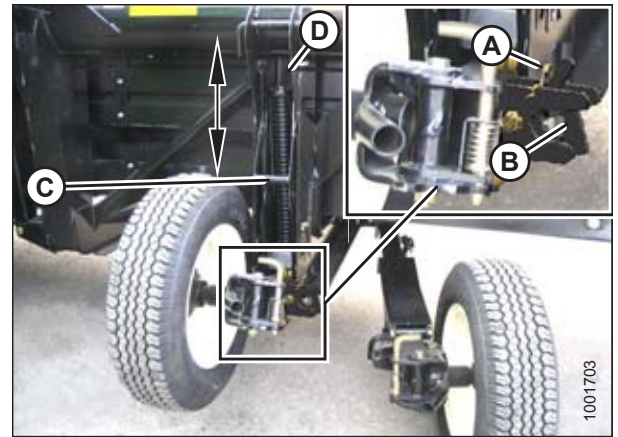


Figure 3.19: Right Wheels

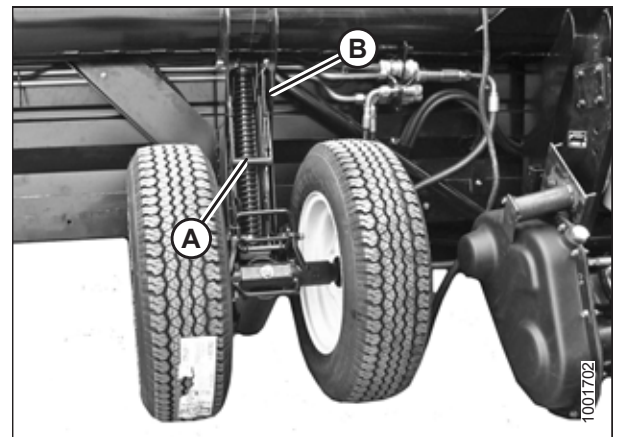


Figure 3.20: Left Wheels

OPERATION

13. Lower header to desired cutting height using the windrower controls.
14. Check the load indicator.

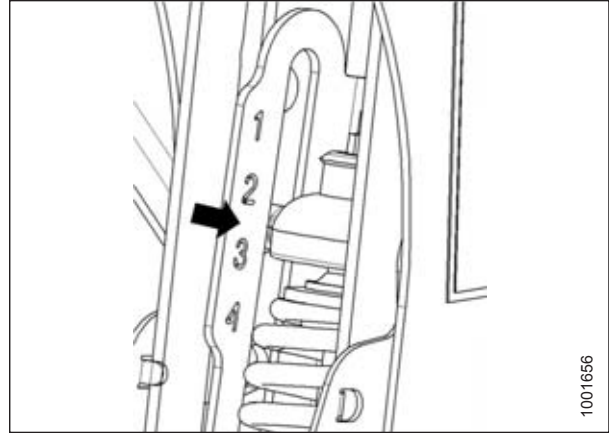


Figure 3.21: Load Indicator

IMPORTANT:

Continuous operation with excessive spring compression (i.e., load indicator reading greater than 4 or a compressed length [A] less than 295 mm [11-5/8 in.]) can result in damage to the suspension system.

15. Adjust the header angle to the desired working angle using the windrower header angle controls. If header angle is not critical, set it to mid-position.
16. Use the windrower Harvest Performance Tracker (HPT) controls to automatically maintain cutting height. Refer to your windrower operator's manual for details.

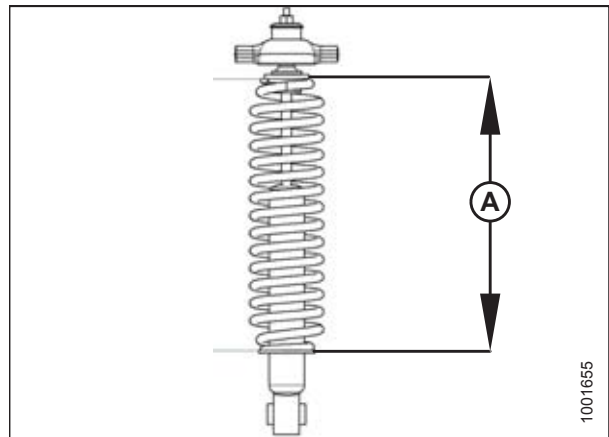


Figure 3.22: Spring Compression

Adjusting Stabilizer Wheels

A properly adjusted header will achieve a balance between the amount of header weight carried by the float and the amount carried by the stabilizer wheels.

Refer to [3.6.2 Header Settings, page 44](#) for recommended use in specific crops and crop conditions.

DANGER

To avoid bodily injury or death from unexpected start-up of machine, always stop engine and remove key from ignition before leaving operator's seat for any reason.

CAUTION

Handle may be under tension—especially when the wheels are on the ground. Raise the header until the wheels are off the ground before making adjustments.

1. Raise the header until the stabilizer wheels are off the ground. Shut down engine and remove the key.
2. Check that the float is working properly. Refer to your windrower manual for instructions.

OPERATION

- Support the wheel weight by lifting slightly with one hand on handle (B), and pull up on handle (A) to release lock.
- Lift the wheel using handle (B), and engage the support channel into center slot (C) in upper support.
- Push down on handle (A) to lock.

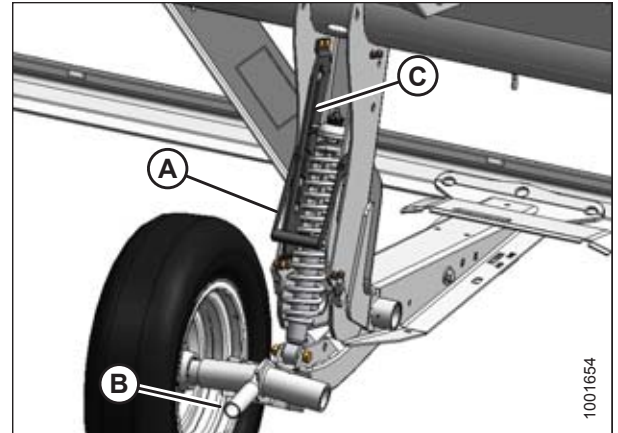


Figure 3.23: Stabilizer Wheel

- Lower header to desired cutting height using windrower controls.
- Check the load indicator.

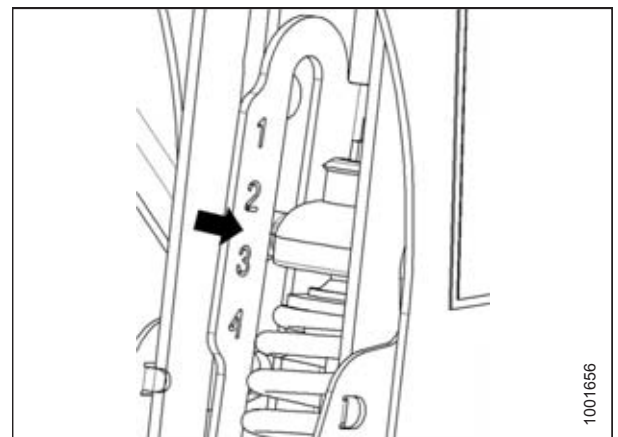


Figure 3.24: Load Indicator

IMPORTANT:

Continuous operation with excessive spring compression (i.e., load indicator reading greater than 4 or a compressed length less than 295 mm [11-5/8 in.]) (A) can result in damage to the suspension system.

- Adjust the header angle to the desired working angle with the windrower header angle controls. If angle is not critical, set it to mid-position.
- Use the Harvest Performance Tracker (HPT) controls to automatically maintain cutting height. Refer to your windrower operator's manual for details.

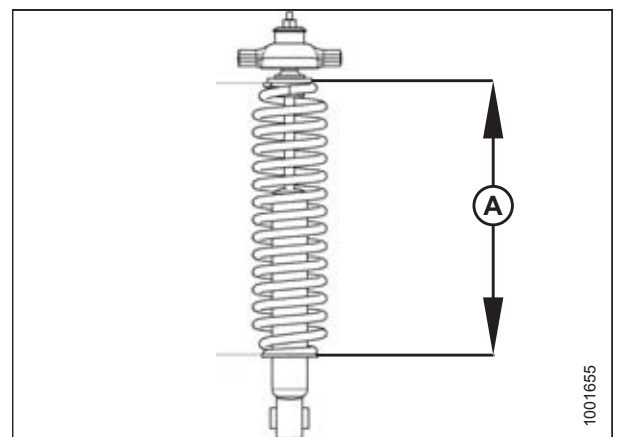


Figure 3.25: Spring Compression

OPERATION

Cutting on the Ground

Cutting on the ground is performed with the header fully lowered and the cutterbar on the ground. The orientation of the knife and knife guards relative to the ground (header angle) is controlled by the skid shoes and the center-link—it is **NOT** controlled by the header lift cylinders. The skid shoes and center-link allow the Operator to adjust to field conditions and maximize the amount of material cut while reducing damage to the knife caused by stones and debris.

The header float system floats the header over the surface to compensate for ridges, trenches, and other variations in ground contour to prevent the cutterbar from pushing into the ground or leaving uncut crop.

Refer to the following for additional information:

- [3.6.2 Header Settings, page 44](#)
- [Adjusting Skid Shoes, page 60](#)
- [3.7.2 Header Float, page 61](#)

Adjusting Skid Shoes



DANGER

To avoid bodily injury or death from unexpected start-up or fall of raised machine, always stop engine, remove key, and engage safety props before going under header for any reason.

1. Raise header to full height, engage safety props, shut off engine, and remove key.
2. Raise the stabilizer wheels or slow speed transport wheels fully (if installed). Refer to the following:
 - [Adjusting Stabilizer/Slow Speed Transport Wheels, page 57](#)
 - [Adjusting Stabilizer Wheels, page 58](#)

OPERATION

IMPORTANT:

Note the adjustment hole position on support (A) and ensure each skid shoe is set to the same position.

3. Remove lynch pin (B) from each skid shoe.
4. Hold shoe and remove pin (C) by disengaging from frame and pulling away from shoe.
5. Raise or lower skid shoe to desired position using holes in support (A) as a guide.
6. Install pin (C), engage in frame, and secure with lynch pin (B).
7. Check that all of the skid shoes are adjusted to the same position.
8. Check header float as described in your windrower operator's manual.

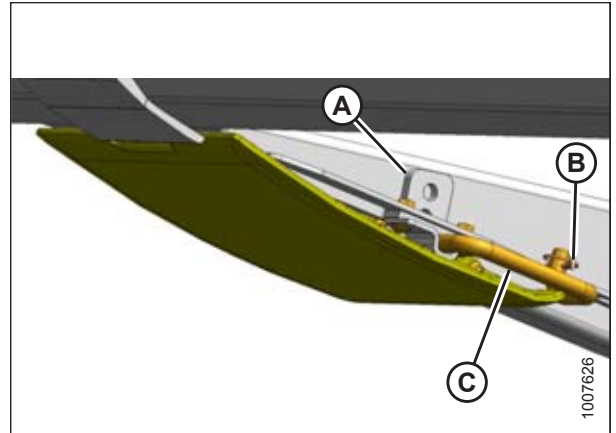


Figure 3.26: Inner Skid Shoe

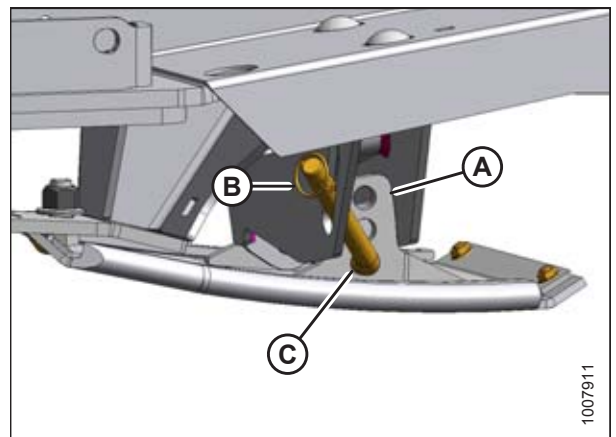


Figure 3.27: Outer Skid Shoe

3.7.2 Header Float

Headers are designed to ride on skid shoes while cutting on the ground. The windrower float system, however, reduces the ground pressure at the cutterbar allowing the header to float over obstacles and follow ground contours instead of being supported by the windrower lift cylinders. Refer to your windrower operator's manual for details about header float adjustments.

OPERATION

3.7.3 Header Angle

Header angle is adjustable to accommodate different crop conditions and/or soil types and can be adjusted using the center-link between the windrower and the header.

Refer to the windrower operator's manual for in-cab adjustment details.

Header angle (A) is the angle between the header and the ground.

The header angle controls the distance (B) between the cutterbar knife and the ground and is a critical component for effective cutting crop at ground level.

Adjusting the header angle pivots the header at the point of skid shoe/ground contact (C).

Guard angle (D) is the angle between the upper surface of the cutterbar guards and the ground.

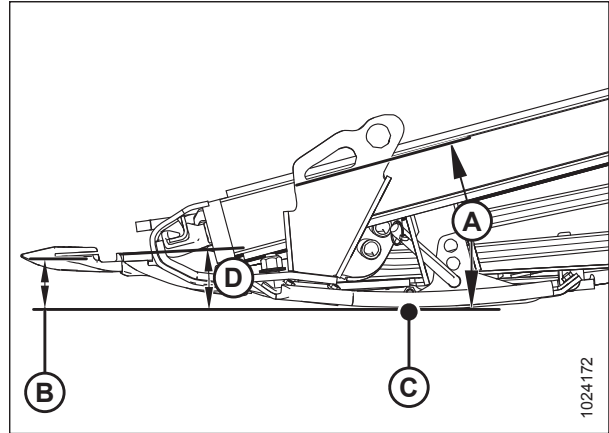


Figure 3.28: Header Angle

1. Set the header angle according to the type and condition of crop and soil as follows:
 - a. Use shallower settings (A) (position A on the indicator) for normal cutting conditions and wet soil to reduce soil build-up at the cutterbar. Shallow angle settings also minimize damage to the knife in stony fields.
 - b. Use steeper settings (D) (position D on the indicator) for lodged crops and crops that are close to the ground such as soybeans.

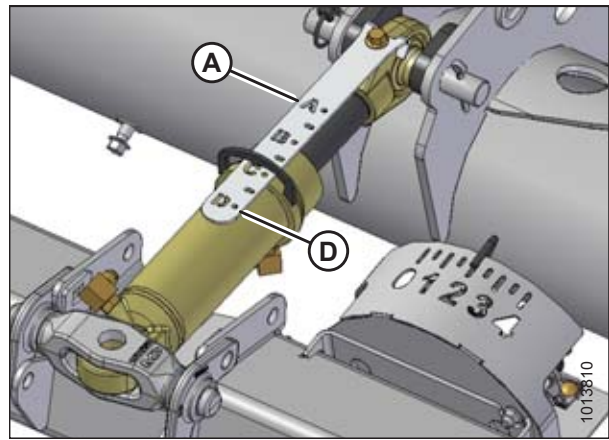


Figure 3.29: Center-Link

The shallowest angle (A) (center-link fully retracted) produces the highest stubble when cutting on the ground.

The steepest angle (D) (center-link fully extended) produces the lowest stubble when cutting on the ground.

Choose an angle that maximizes performance for your crop and field conditions. Refer to the table below for a summary of adjustment ranges.

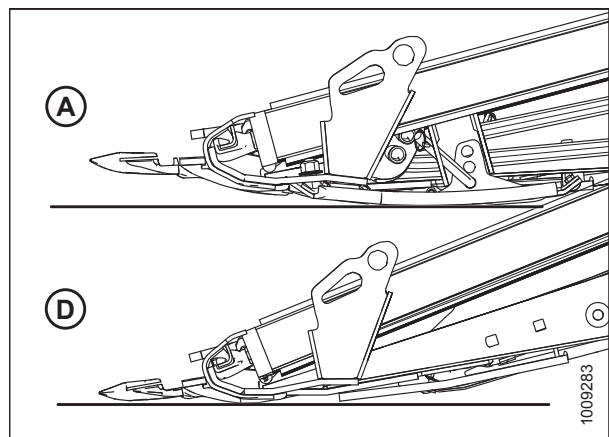


Figure 3.30: Guard Angles

OPERATION

Adjusting Header Angle

Header angle can be adjusted using the center-link between the windrower and the header.

Refer to the windrower operator's manual for adjustment details.

3.7.4 Reel Speed

Reel speed is one of the factors that determines how crop is moved from the cutterbar onto the drapers.

The reel performs best when it appears to be driven by the ground. It should move the cut crop evenly through the cutterbar and onto the drapers without bunching and with minimal disturbance.

In standing crop, reel speed should be slightly higher than, or equal to, ground speed.

In flattened crop or crop that is leaning away from the cutterbar, the reel speed needs to be higher than the ground speed. To achieve this, either increase the reel speed or decrease the ground speed.

Excessive shattering of grain heads or crop loss over the header backtube may indicate that the reel speed is too high. Excessive reel speed also increases reel component wear and overloads the reel drive.

Slower reel speeds can be used with nine-bat reels, which is advantageous in shatter-prone crops.

Refer to [3.6.2 Header Settings, page 44](#) for recommended reel speeds in specific crops and crop conditions.

The reel speed is adjustable using the controls in the windrower cab. Refer to your windrower operator's manual for adjustment details.

Optional Reel Drive Sprockets

Optional reel drive sprockets for use in special crop conditions are available as an alternative to the factory-installed sprocket.

The header is factory-equipped with a 19-tooth sprocket that drives the reel and it is suitable for most crop conditions. Other sprockets are available that provide more torque to the reel in heavy cutting conditions or allow for higher reel speeds in light crops when operating at increased ground speeds. See your MacDon Dealer for ordering information.

For installation details, refer to [5.9.3 Reel Drive Sprocket, page 230](#).

OPERATION

3.7.5 Ground Speed

Operating at the proper ground speed will result in cleanly cut crops and evenly distributed material in uniform windrows.

Refer to [3.10 Windrow Types, page 82](#) for effects of ground speed on windrow formation.

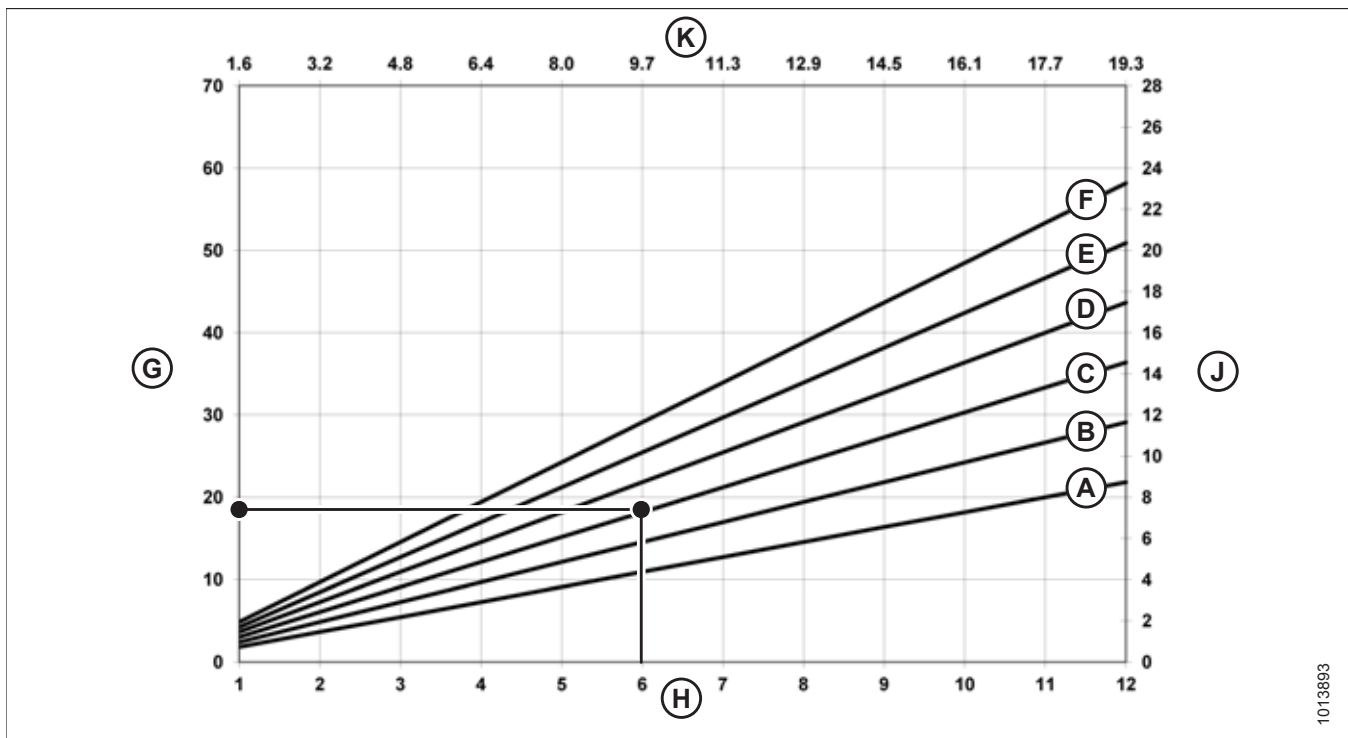
Reduce ground speed in difficult cutting conditions to reduce loads on cutting components and drives.

Use lower ground speeds in very light crops (e.g., short soybeans) to allow the reel to pull in short plants. Start at 4.8–5.8 km/h (3.0–3.5 mph) and adjust as required.

Higher ground speeds may require heavier float settings to prevent excessive bouncing that causes uneven cutting and possible damage to the cutting components. If ground speed is increased, draper and reel speeds should generally be increased to handle the extra material.

Figure 3.31, [page 64](#) illustrates the relationship between ground speed and area cut for the various sized headers.

Figure 3.31: Ground Speed versus Acres



A - 4.6 m (15 ft.)

D - 9.1 m (30 ft.)

G - acres/hour

K - kilometers/hour

B - 6.1 m (20 ft.)

E - 10.7 m (35 ft.)

H - miles/hour

C - 7.6 m (25 ft.)

F - 12.2 m (40 ft.)

J - hectares per hour

Example: A 7.6 m (25 ft.) header operating at a ground speed of 9.7 km/h (6 mph) would produce a cut area of approximately 7.3 hectares (18 acres) in one hour.

OPERATION

3.7.6 Draper Speed

Correct draper speed is an important factor for achieving good flow of the cut crop away from the cutterbar.

The draper speed is controlled with the windrower Harvest Performance Tracker (HPT). Refer to your windrower operator's manual for instructions.

Adjust the draper speed to achieve good feeding of crop for a good windrow. Excessive draper speed will reduce draper life.

3.7.7 Knife Speed

The header knife drive is powered by the windrower hydraulic pump and is controlled using the windrower Harvest Performance Tracker (HPT) (refer to your windrower operator's manual). The default speed is 1200 strokes per minute (spm).

Table 3.13 D1X/D1XL Series Knife Speed

Header Size (m [ft.])	Recommended Knife Speed Range (spm)
4.6 (15)	1500–1900
6.1 (20)	1400–1700
7.6 (25)	1400–1700
9.1 (30)	1200–1600
10.7 (35)	1200–1400
12.2 (40)	1100–1400
13.7 (45)	1100–1400

3.7.8 Reel Height

The reel operating position depends on the type of crop and cutting conditions. You can create preset reel height positions using the Headland Management feature on either an M1170 or M1240 Windrower. To set up this feature, refer to your windrower operator's manual. Set the reel height and fore-aft position to carry material past the knife and onto the drapers with minimal damage to the crop. Refer to [3.7.9 Reel Fore-Aft Position, page 66](#).

The reel height is controlled manually or with button presets on the ground speed lever (GSL) in the windrower cab. Refer to your windrower operator's manual for instructions on controlling reel height or setting up auto reel height presets.

The following conditions might result if the reel is set too low:

- Crop loss over the header backtube
- Crop disturbance on the drapers caused by the reel fingers
- Crop being pushed down by the tine tubes

The following conditions might result if the reel is set too high:

- Cutterbar plugging
- Crop lodging and being left uncut
- Grain stalks dropping ahead of cutterbar

OPERATION

Refer to [3.6.2 Header Settings, page 44](#) for recommended reel heights for specific crops and crop conditions.

IMPORTANT:

Maintain adequate clearance to prevent fingers contacting the knife or the ground. Refer to [5.8.1 Reel Clearance to Cutterbar, page 196](#).

3.7.9 Reel Fore-Aft Position

Reel fore-aft position is a critical factor for achieving the best results in adverse conditions. The factory-set reel position suits normal conditions, but the fore-aft position can be adjusted as required using the controls inside the cab. You can create preset reel fore-aft positions using the Headland Management feature on either an M1170 or M1240 Self-Propelled Windrower. To set up this feature, refer to your windrower operator's manual.

Decal (A) is attached to the right reel support arm for identifying reel position. The aft edge of the cam disc (B) is the reel fore-aft position marker.

For straight standing crop, center the reel over the cutterbar (4–5 on decal).

For crops that are down, tangled, or leaning, it may be necessary to move the reel ahead of the cutterbar (lower number on decal).

NOTE:

If experiencing difficulty picking up flattened crop, adjust to a steeper header angle. Refer to [3.7.3 Header Angle, page 62](#) for adjustment instructions. Adjust reel position only if header angle adjustments are not satisfactory.

For recommended reel positions in specific crops and crop conditions, refer to [3.6.2 Header Settings, page 44](#).

NOTE:

In crops that are difficult to pick up such as rice, or severely lodged crops that require full forward positioning of the reel, set the reel tine pitch to provide proper placement of the crop onto the drapers. Refer to [3.7.10 Reel Tine Pitch, page 67](#) for adjustment details.

Adjusting Reel Fore-Aft Position

1. Operate the hydraulics to move the reel to the desired position while using the gauge as a reference.
2. Check the reel clearance to cutterbar after making changes to the cam setting. Refer to the following for measurement and adjustment procedures:
 - [5.8.1 Reel Clearance to Cutterbar, page 196](#)
 - [Adjusting Reel Frown, page 200](#)

IMPORTANT:

Operating with the reel too far forward can result in the fingers contacting the ground. When operating with the reel in this position, lower the skid shoes or adjust the header tilt as required to prevent damaging the fingers.

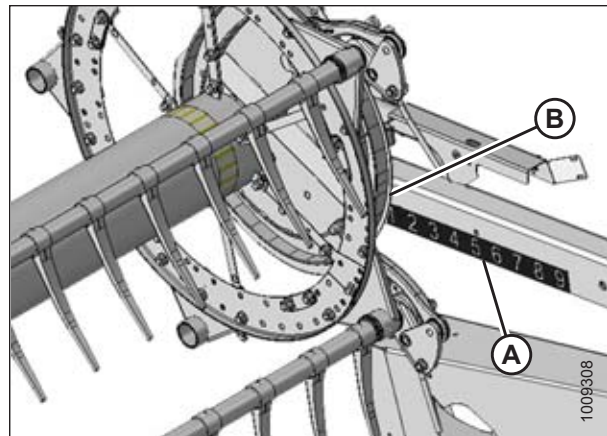


Figure 3.32: Fore-Aft Decal

3.7.10 Reel Tine Pitch

IMPORTANT:

The following describes the conceptual and operational guidelines of the pick-up reel. Please read carefully before operating the machine.

The pick-up reel is designed to pick up flattened and severely lodged crops. Because the cam setting is mainly used to determine how the crop gets delivered onto the drapers, it is not always necessary to increase the tine pitch (select a higher cam setting) to pick up lodged crops.

The positioning of the fingers relative to the ground (tine pitch) is not significantly affected by the cam setting. For example, with the cam position range at 33°, the corresponding finger pitch range is only 5° at the lowest point of the reel's rotation.

For the best results, use the minimum cam setting that delivers the crop past the rear edge of the cutterbar and onto the drapers. Refer to [3.6.2 Header Settings, page 44](#).

Reel Cam Settings

The following outlines the function of each cam setting and provides set-up guidelines for various crop conditions.

The setting numbers are visible above the slots on the cam disc. Refer to [Adjusting Reel Cam, page 69](#).

Cam Position 1, Reel Position 6 or 7 delivers the most even crop flow onto the drapers without fluffing or disturbing the material.

- This setting will release crop close to the cutterbar and works best if the cutterbar is on the ground.
- Some crops will not be delivered past the cutterbar when the cutterbar is raised off the ground and the reel is pushed forward; therefore, set the initial reel speed approximately equal to the ground speed.

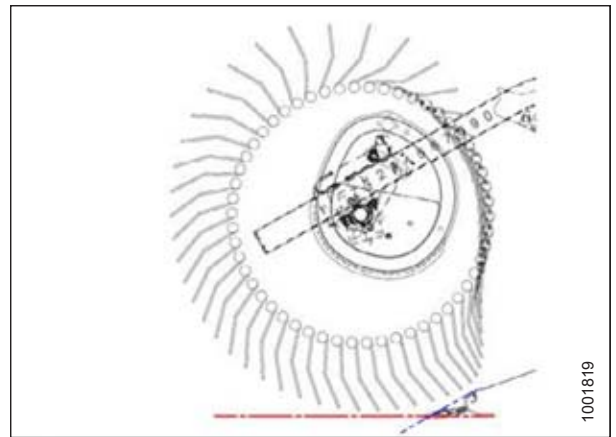


Figure 3.33: Finger Profile – Position 1

Cam Position 2, Reel Position 3 or 4 is the recommended starting position for most crops and conditions.

- If the crop is stalling on the cutterbar when the reel is in the forward position, increase the cam setting to push the crop past the rear edge of the cutterbar.
- If the crop is getting fluffed or if there is a disruption to the flow across the drapers, decrease the cam setting.
- This setting generates a fingertip speed that is approximately 20% faster than the reel speed.

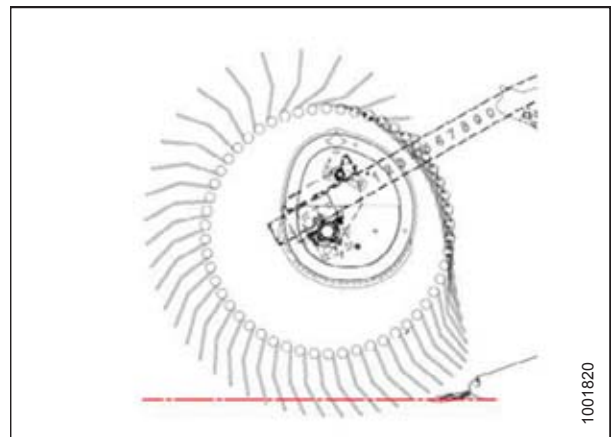


Figure 3.34: Finger Profile – Position 2

OPERATION

Cam Position 3, Reel Position 6 or 7 is mainly used to leave long stubble.

- This position allows the reel to reach forward and lift the crop across the knife and onto the drapers.
- This setting generates a fingertip speed that is approximately 30% faster than the reel speed.

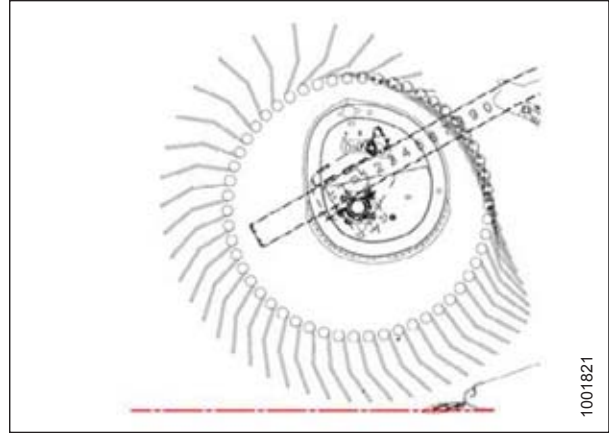


Figure 3.35: Finger Profile – Position 3

Cam Position 4, Reel Position 2 or 3 is used with the reel fully forward to leave the maximum amount of stubble in lodged crops.

- This position allows the reel to reach forward and lift the crop across the knife and onto the drapers.
- This setting generates a fingertip speed that is approximately 35% faster than the reel speed.

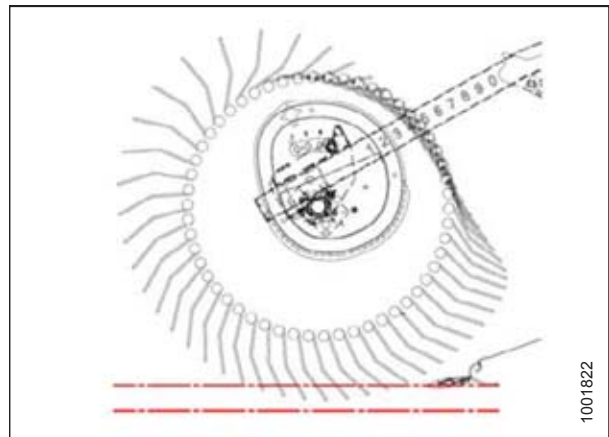


Figure 3.36: Finger Profile – Position 4

Cam Position 4, Header Angle at Maximum, and Reel Fully Forward provides the maximum amount of reel reach below the cutterbar to pick up lodged crops.

- Leaves a significant amount of stubble when cutting height is set to approximately 203 mm (8 in.). In damp materials such as rice, it is possible to double the ground speed because of the reduction of cut material.
- This setting generates a fingertip speed that is approximately 35% faster than the reel speed.

NOTE:

Higher cam settings with the reel fore-aft position set between 4–5 sharply decrease the draper capacity because the reel disrupts the crop flow across the drapers and the fingers engage the crop that is moving on the drapers.

High cam settings are recommended only with the reel at, or close to, full forward settings.

IMPORTANT:

The reel to cutterbar clearance should always be checked following adjustments to reel tine pitch and reel fore-aft position (refer to [5.8.1 Reel Clearance to Cutterbar, page 196](#)). Refer to [3.6.2 Header Settings, page 44](#) for recommended reel tine pitch in specific crops and crop conditions.

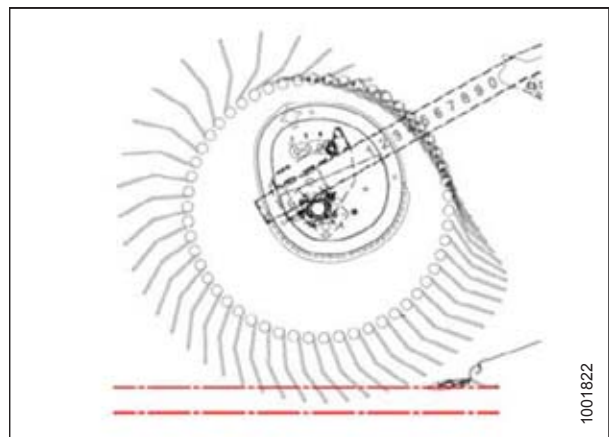


Figure 3.37: Finger Profile – Position 4

OPERATION

Adjusting Reel Cam

DANGER

To avoid bodily injury or death from unexpected start-up of machine, always stop engine and remove key from ignition before leaving operator's seat for any reason.

1. Turn the latch pin (A) counterclockwise using a 3/4 in. wrench to release the cam disc.
2. Use the wrench on bolt (B) to rotate the cam disc and align the latch pin (A) with the desired cam disc hole position (C) (1 to 4).

NOTE:

Bolt (B) is positioned through the cam disc (transparent view shown in illustration for improved clarity).

3. Turn the latch pin (A) clockwise to engage and lock the cam disc.
4. Repeat the above procedure for the opposite reel.

IMPORTANT:

Ensure the cam is secured into position before operating the machine.

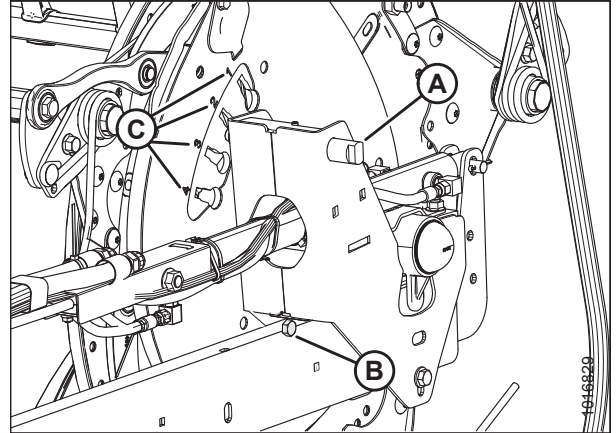


Figure 3.38: Cam Disc Positions

3.7.11 Crop Dividers

Crop dividers are used to help divide the crop when harvesting. They are removable to allow installation of vertical knives and to decrease transport width.

Removing Crop Dividers with Latch Option from Header

⚠ DANGER

To avoid bodily injury or death from unexpected start-up or fall of raised machine, always stop engine, remove key, and engage safety props before going under header for any reason.

1. Lower reel and raise header. Refer to your windrower operator's manual for instructions.
2. Stop engine and remove key.
3. Engage safety props. Refer to your windrower operator's manual for instructions.
4. Open or remove endshields. Refer to [3.2.3 Endshields, page 35](#).
5. Lift safety lever (A).
6. Hold onto crop divider (B), push lever (C) to open latch, and lower crop divider.

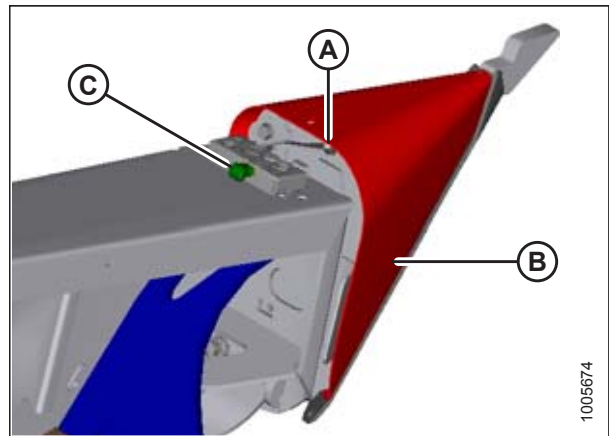


Figure 3.39: Crop Divider

7. Lift crop divider off endsheet and store as follows:
 - a. Insert pin (A) on crop divider into hole in endsheet at location shown.
 - b. Lift crop divider and position lugs (B) on crop divider into bracket on endsheet. Ensure lugs engage bracket.
8. Close or install endshields. Refer to [3.2.3 Endshields, page 35](#).

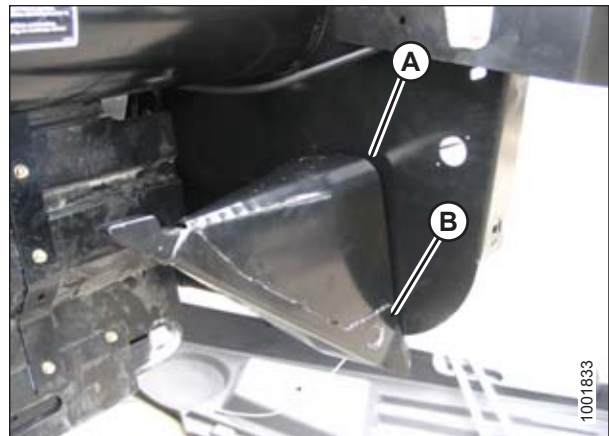


Figure 3.40: Stored Crop Divider

OPERATION

Removing Crop Dividers without Latch Option from Header

DANGER

To avoid bodily injury or death from unexpected start-up or fall of raised machine, always stop engine, remove key, and engage safety props before going under header for any reason.

1. Lower reel and raise header. Refer to your windrower operator's manual for instructions.
2. Stop engine and remove key.
3. Engage safety props. Refer to your windrower operator's manual for instructions.
4. Open or remove endshields. Refer to [3.2.3 Endshields, page 35](#).
5. Remove bolt (A), lock washer, and flat washer.
6. Lower crop divider (B) and then lift to remove from endsheet.
7. Close or install endshields. Refer to [3.2.3 Endshields, page 35](#).

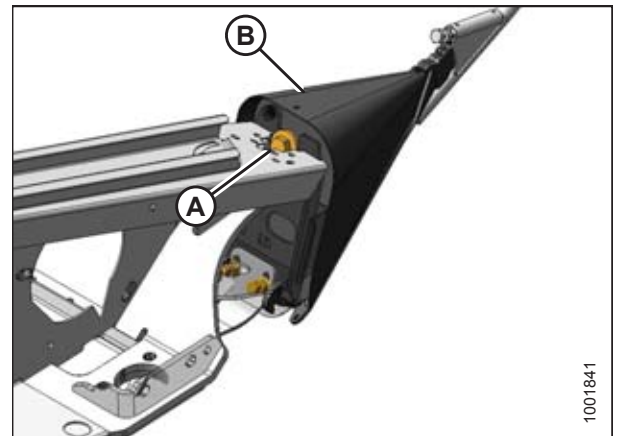


Figure 3.41: Crop Divider

OPERATION

Installing Crop Dividers with Latch Option onto Header

DANGER

To avoid bodily injury or death from unexpected start-up or fall of raised machine, always stop engine, remove key, and engage safety props before going under header for any reason.

1. Lower reel and raise header. Refer to your windrower operator's manual for instructions.
2. Stop engine and remove key.
3. Engage safety props. Refer to your windrower operator's manual for instructions.
4. Open or remove endshields. Refer to [3.2.3 Endshields, page 35](#).
5. Remove crop divider from storage location by lifting crop divider to disengage lugs (A) at lower end and then lowering it slightly to disengage pin (B) from endsheet.

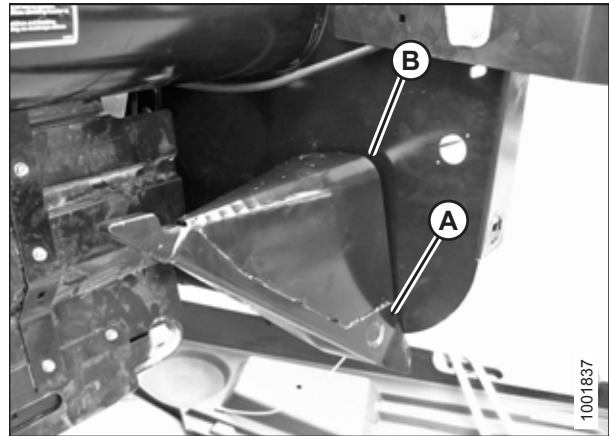


Figure 3.42: Stored Crop Divider

6. Position crop divider as shown by inserting lugs (A) into holes in endsheet.
7. Lift forward end of crop divider until pin (B) at top of crop divider engages and closes latch (C).
8. Push safety lever (D) downwards to lock pin into latch (C).

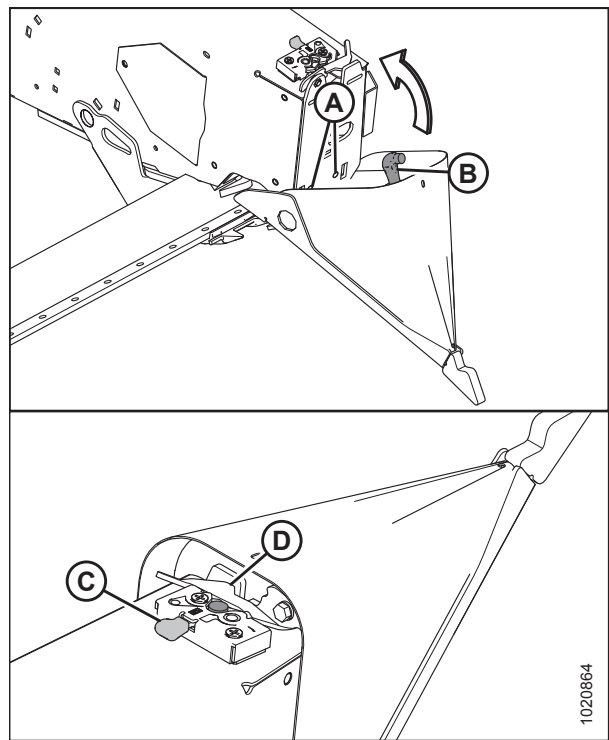


Figure 3.43: Crop Divider

OPERATION

9. Pull the tip of the crop divider to ensure there is no lateral movement. If necessary, adjust bolts (A) to tighten crop divider and eliminate lateral movement.
10. Close or install endshields. Refer to [3.2.3 Endshields](#), page 35.

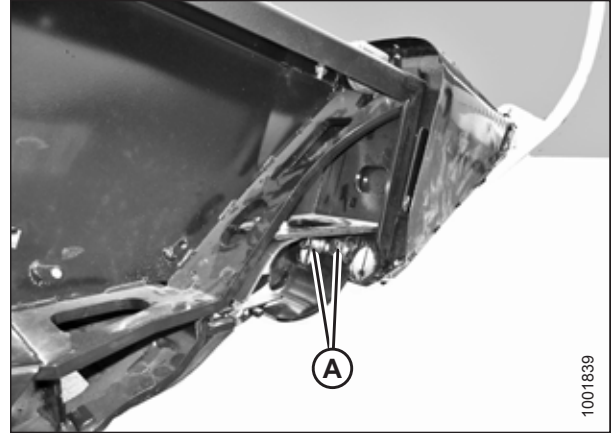


Figure 3.44: Crop Divider

Installing Crop Dividers without Latch Option onto Header

DANGER

To avoid bodily injury or death from unexpected start-up or fall of raised machine, always stop engine, remove key, and engage safety props before going under header for any reason.

1. Lower reel and raise header. Refer to your windrower operator's manual for instructions.
2. Stop engine and remove key.
3. Engage safety props. Refer to your windrower operator's manual for instructions.
4. Open or remove endshields. Refer to [3.2.3 Endshields](#), page 35.
5. Remove crop divider from storage location by lifting crop divider to disengage lugs (A) at lower end and then lowering it slightly to disengage pin (B) from endsheet.

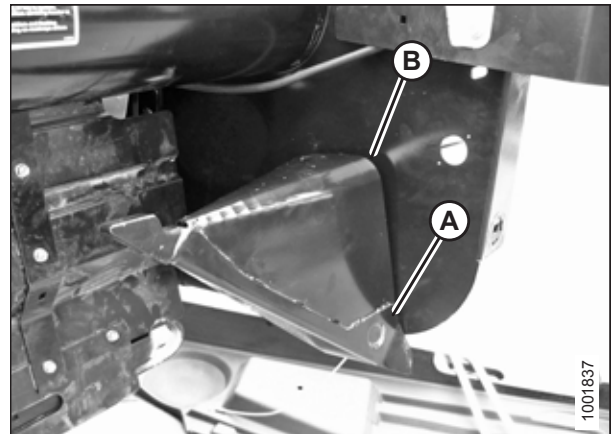


Figure 3.45: Stored Crop Divider

OPERATION

6. Position crop divider as shown by inserting lugs (A) into holes in endsheet.

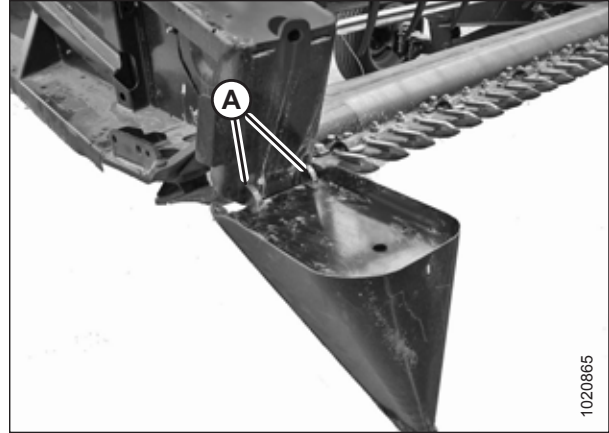


Figure 3.46: Crop Divider

7. Lift forward end of crop divider and install bolt (A) and special stepped washer (B) (step towards divider). Tighten bolt.
8. Pull the tip of the crop divider to ensure there is no lateral movement. If necessary, adjust bolts (C) to tighten crop divider and eliminate lateral movement.
9. Close or install endshields. Refer to [3.2.3 Endshields](#), page 35.

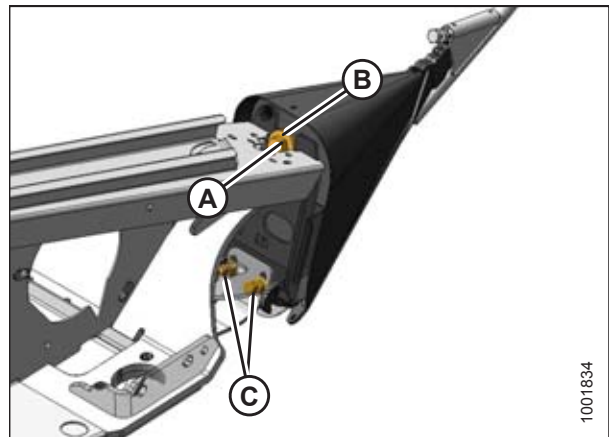


Figure 3.47: Crop Divider

OPERATION

3.7.12 Crop Divider Rods

Crop divider rods are used in conjunction with crop dividers. The removable crop divider rods are most useful when crop is bushy or down. In standing crops, using only crop dividers is recommended.

Table 3.14 Crop Divider Rods Recommended Use

With Divider Rods		Without Divider Rods
Alfalfa	Lodged cereal	Edible beans
Canola	Peas	Milo
Flax	Soybeans	Rice
Grass seed	Sudan grass	Soybeans
Lentils	Winter forage	Standing cereal

Removing Crop Divider Rods

1. Loosen bolt (A) and remove crop divider rod (B) from both sides of header.

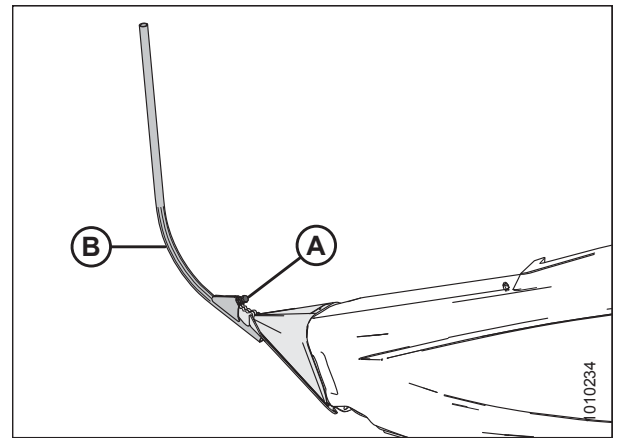


Figure 3.48: Crop Divider Rod

2. Store both crop divider rods (A) inboard on the right side endsheet.

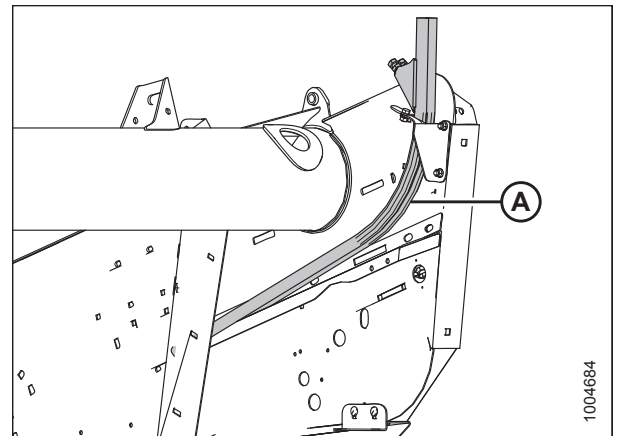


Figure 3.49: Right Side Endsheets

OPERATION

Installing Crop Divider Rods

1. Remove crop divider rods (A) from storage location on inboard of right side endsheet.

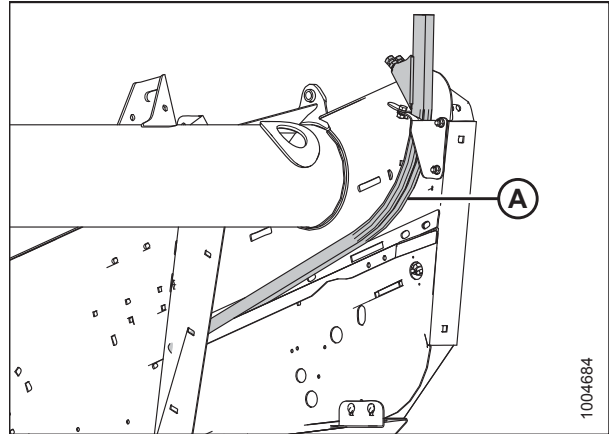


Figure 3.50: Right Side Endsheet

2. Position crop divider rod (B) on tip of crop divider as shown and tighten bolt (A).
3. Repeat procedure at opposite end of header.

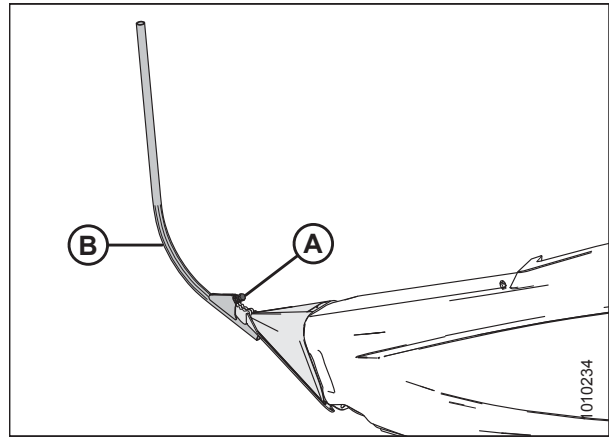


Figure 3.51: Divider Rod on Crop Divider

3.8 Delivery Opening

The width and location of the delivery opening affects the width and configuration of the windrow.

The decision to widen or narrow the center delivery opening, or to double windrow, should be based on the following factors:

- Windrower pick-up capability
- Type and yield of crop
- Weather conditions (rain, humidity, wind, etc.)
- Available drying time

Refer to [3.10 Windrow Types, page 82](#) for the pros and cons of various windrow configurations with respect to these factors, and also refer to [3.9 Double Windrowing, page 81](#).

OPERATION

3.8.1 Adjusting Delivery Opening on Header

Both decks can be moved manually to adjust the delivery opening between 1720 mm and 1950 mm (67-1/8 in. and 76-11/16 in.).

1. Loosen bolts (A) on both decks.
2. Slide decks desired amount. Retighten bolts (A).

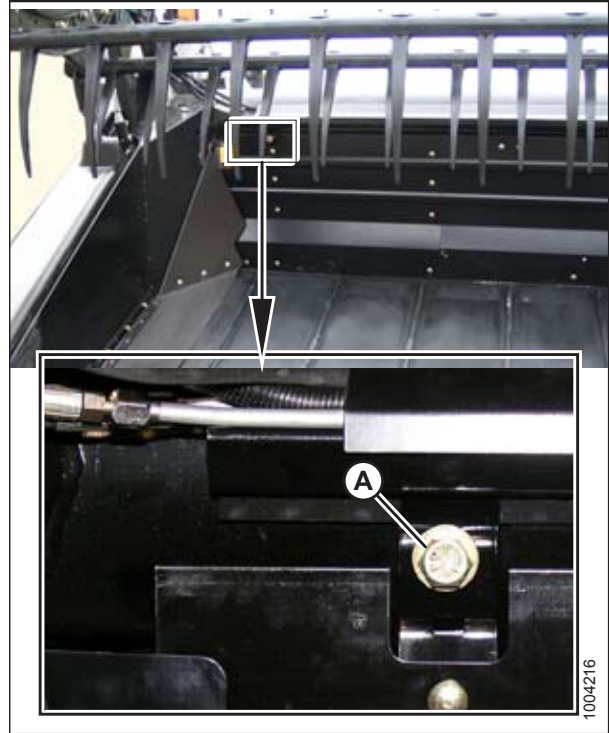


Figure 3.52: Manual Deck Shift

3.8.2 Adjusting Delivery Opening on Header using Hydraulic Deck Shift

The delivery opening can be adjusted by moving the inboard deck shift stops.

Adjusting inboard deck shift stop

1. Remove two 1/4 in. hex head bolts (A) and nuts.
2. Slide stop (B) outboard to decrease the maximum opening size, or slide stop inboard to increase the maximum opening size.

⚠ CAUTION

Adjust the outboard stops to prevent the decks from contacting each other.

3. Install two 1/4 in. hex head bolts (A) and nuts and tighten.

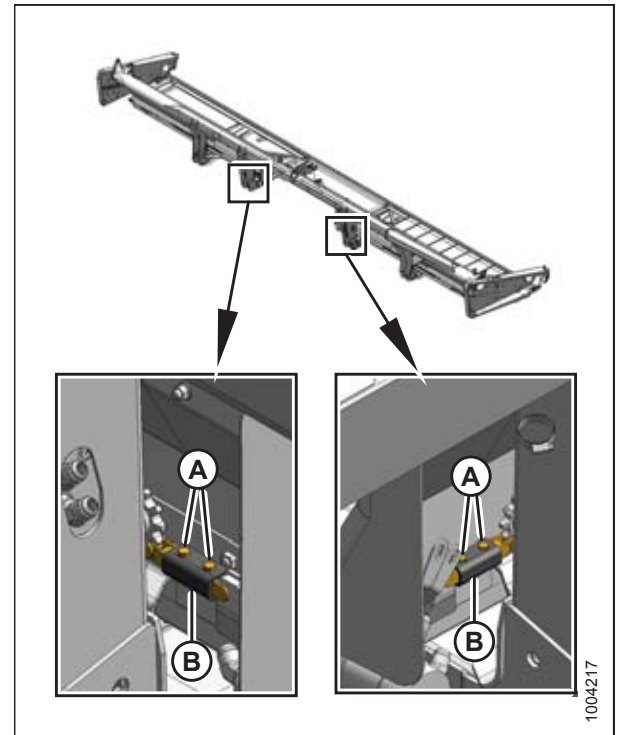


Figure 3.53: Inboard Hydraulic Deck Shift Stops

OPERATION

Adjusting outboard deck shift stop

4. Remove two 1/4 in. hex head bolts (A) and nuts.
5. To prevent decks from contacting each other, slide stop (B) inboard to move decks away from each other, or outboard to move decks closer to each other.
6. Install two 1/4 in. hex head bolts (A) and nuts and tighten.

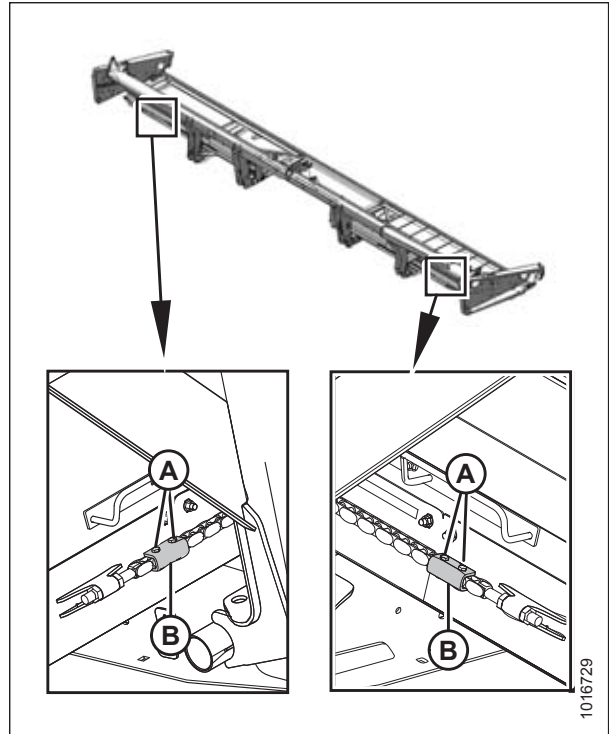


Figure 3.54: Inboard Hydraulic Deck Shift Stops

3.9 Double Windrowing

Double windrowing involves laying two swaths side-by-side. Larger capacity combines or forage harvesters can then pick up twice as much material in a single pass which saves time and fuel.

Double windrowing is performed using the header's deck shifting ability.

Deck shifting is used for crops that don't require conditioning such as grains, canola, and beans. Refer to [3.9.1 Shifting Decks Hydraulically](#), page 81.

3.9.1 Shifting Decks Hydraulically

The hydraulic deck shift option allows the Operator to select center, left, or right delivery from the windrower cab. It is available only on 9.1 m and 10.7 m (30 ft. and 35 ft.) headers. Refer to for ordering information.

Refer to your windrower operator's manual for identification and operation of the deck shift control.

Laying a double windrow

1. Use the deck shift control in the windrower to position decks at the left end of header and deliver crop from right end (A), or shift the decks to the right end of the header and deliver crop from left end (B).

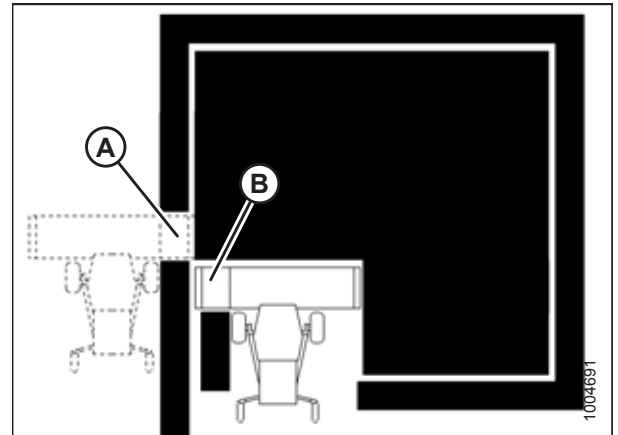


Figure 3.55: Left and Right End Crop Delivery

NOTE:

Raise transport or stabilizer system wheels on 9.1 m (30 ft.) headers to avoid interference with windrow.

2. Shift decks to the left end of the header to deliver crop from the right end (A).
3. Complete one round or one length of the field.
4. Complete the second round or length in the opposite direction to lay a double windrow.

NOTE:

The end delivery opening is designed to provide adequate clearance between the first windrow and standing crop while maintaining optimum space between the two windrows.

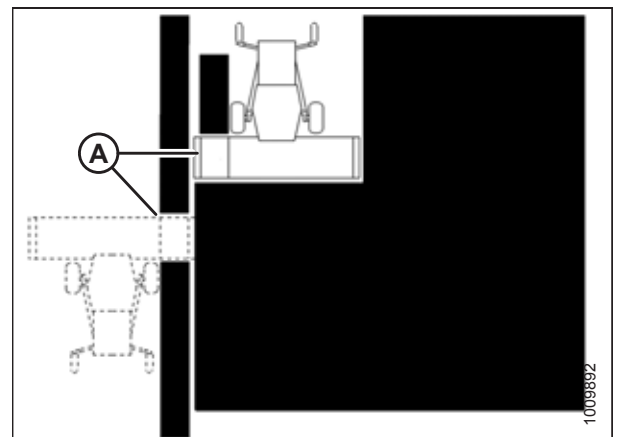


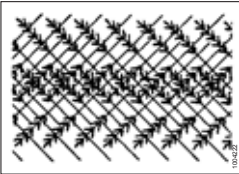
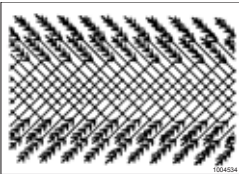
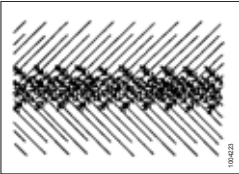
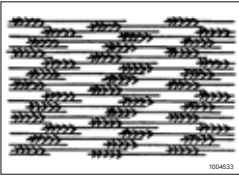
Figure 3.56: Double Windrowing

3.10 Windrow Types

The following criteria determine windrow quality:

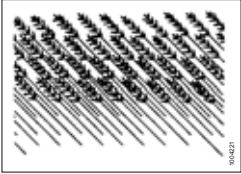
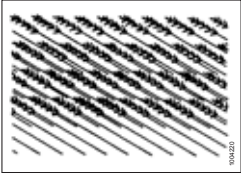
- **Weight Distribution:** Heads and stalks distributed evenly across full width of windrow.
- **Good Curing:** A loose, open windrow for better drying.
- **Good Weatherability:** A well-formed windrow that supports heads off the ground and holds together in extreme weather conditions.

Table 3.15 Windrow Types

Windrow Type	Description	Weight Distribution	Curing	Weatherability	Machine Setting Guidelines
Herringbone 	The most desirable form of windrow, stalks are crossed and interwoven. Heads are distributed across full width of windrow. This windrow can be formed by center delivery only.	Good	Good	Excellent	<ul style="list-style-type: none"> • Reel and ground speed approximately equal • Medium draper speed • Center delivery
Fantail 	The stalks are crossed in the center and the heads are in line along outside edges. This windrow can be formed by center delivery only.	Fair	Fair	Fair	<ul style="list-style-type: none"> • Low draper speed • Low header angle • Center delivery
Dovetail 	The stalks are lined along outside edges of windrow and heads are crossed in center. This windrow can be formed by center delivery only.	Poor	Fair	Poor	<ul style="list-style-type: none"> • High draper speed • High header angle • Center delivery
Parallel 	The stalks are parallel to windrow and heads are evenly distributed across width of windrow. This windrow can be formed by center delivery or end delivery.	Good	Good	Good	<ul style="list-style-type: none"> • Medium draper speed • Medium header angle • Center or end delivery

OPERATION

Table 3.15 Windrow Types (continued)

Windrow Type	Description	Weight Distribution	Curing	Weatherability	Machine Setting Guidelines
<p>45° diagonal</p> 	<p>The stalks are lined along one edge and heads are lined along opposite edge, 45° to windrow perpendicular. This windrow can be formed by end deliver or by center delivery if the crop is leaning to one side.</p>	<p>Poor</p>	<p>Fair</p>	<p>Poor</p>	<ul style="list-style-type: none"> • Low reel speed • Less aggressive tine pitch • End delivery or center delivery if crop is leaning
<p>75° diagonal</p> 	<p>The stalks are closer to parallel than the 45° windrow. Stalk tips are lined along one edge with heads opposite, 75° to windrow perpendicular. This windrow can be formed by end delivery or by center delivery if the crop is leaning to one side.</p>	<p>Fair</p>	<p>Good</p>	<p>Fair</p>	<ul style="list-style-type: none"> • Low reel speed • Less aggressive tine pitch • End delivery or center delivery if crop is leaning

3.11 Haying Tips

3.11.1 Curing

Curing crops quickly helps maintain the highest quality because for each day that hay lies on the ground, 5% of the protein is lost.

Leaving the windrow as wide and fluffy as possible results in the quickest curing. Cured hay should be baled as soon as possible.

3.11.2 Topsoil Moisture

Table 3.16 Topsoil Moisture Levels

Level	% Moisture	Condition
Wet	Over 45%	Soil is muddy
Damp	25–45%	Shows footprints
Dry	Under 25%	Surface is dusty

- On wet soil, the general rule of wide and thin does not apply. A narrower windrow will dry faster than hay left flat on wet ground.
- When the ground is wetter than the hay, moisture from the soil is absorbed by the hay above it. Determine topsoil moisture level before cutting. Use a moisture tester or estimate level.
- If ground is wet due to irrigation, wait until soil moisture drops below 45%.
- If ground is wet due to frequent rains, cut when weather allows and let the forage lie on wet ground until it dries to the moisture level of the ground.
- Cut hay will dry only to the moisture level of the ground beneath it, so consider moving the windrow to drier ground.

3.11.3 Weather and Topography

- Cut as much hay as possible by midday when drying conditions are best.
- Fields sloping south get up to 100% more exposure to the sun’s heat than do north sloping fields. If hay is baled and chopped, consider baling the south facing fields and chopping those facing north.
- When relative humidity is high, the evaporation rate is low and hay dries slowly.
- If there is no wind, saturated air becomes trapped around the windrow. Raking or tedding will expose the hay to fresh, less saturated air.
- Cut hay perpendicular to the direction of the prevailing winds if possible.

3.11.4 Windrow Characteristics

Producing windrows with the recommended characteristics will achieve the greatest results. Refer to [3.7 Header Operating Variables, page 56](#) for instructions on adjusting the header.

Table 3.17 Recommended Windrow Characteristics

Characteristic	Advantage
High and fluffy	Enables airflow through windrow which is more important to the curing process than direct sunlight
Consistent formation (not bunching)	Permits an even flow of material into the baler, chopper, etc.
Even distribution of material across windrow	Results in even and consistent bales to minimize handling and stacking problems
Properly conditioned	Prevents excessive leaf damage

3.11.5 Driving on Windrow

Driving on previously cut windrows that will not be raked can lengthen drying time by a full day. If practical, set forming shields to produce a narrower windrow that the machine can straddle.

NOTE:

Driving on the windrow in high-yield crops may be unavoidable if a full width windrow is necessary.

3.11.6 Raking and Tedding

Raking or tedding speeds up drying; however, the resulting leaf loss may outweigh the benefits. There is little or no advantage to raking or tedding if the ground beneath the windrow is dry.

Large windrows on damp or wet ground should be turned over when moisture levels reach 40–50%. Hay should not be raked or tilled at moisture levels below 25% or excessive yield loss will result.

3.11.7 Using Chemical Drying Agents

Hay drying agents work by removing wax from legume surfaces and enabling water to escape and evaporate faster. However, treated hay lying on wet ground will absorb ground moisture faster.

Before deciding to use a drying agent, carefully compare the relative costs and benefits for your area.

3.12 Levelling the Header

The windrower linkages are factory-set to provide the proper level for the header and should not normally require adjustment.

NOTE:

The float springs are **NOT** used to level the header.

If the header is not level, check the pressure of the windrower's tires to ensure proper inflation (refer to your windrower operator's manual).

If the windrower's tires are properly inflated and the header is still not level, adjust the windrower linkages as required (refer to the appropriate section in the windrower operator's manual).

3.13 Unplugging the Cutterbar

 **DANGER**

To avoid bodily injury or death from unexpected start-up or fall of a raised machine, always stop engine and remove key before leaving the operator's seat, and always engage safety props before going under the machine for any reason.

 **CAUTION**

Wear heavy gloves when working around or handling knives.

 **CAUTION**

Lowering rotating reel on a plugged cutterbar will damage the reel components.

To unplug cutterbar, reverse the windrower feeder house. If still plugged, do the following:

1. Stop the forward movement of the machine and disengage the header drives.
2. Raise the header to prevent it from filling with dirt, and engage the header drive clutch.
3. Disengage the header drive clutch and fully raise the header if plug does **NOT** clear.
4. Shut off the engine, remove the key from the ignition, and engage the park brake.
5. Engage the header safety props.
6. Clean off the cutterbar by hand.

NOTE:

If cutterbar plugging persists, refer to *8 Troubleshooting, page 253*.

3.14 Upper Cross Auger (UCA)

The UCA (A) improves delivery of very bulky crops across the header.

NOTE:

Optional wide draper deflectors are **NOT** compatible with the upper cross auger.

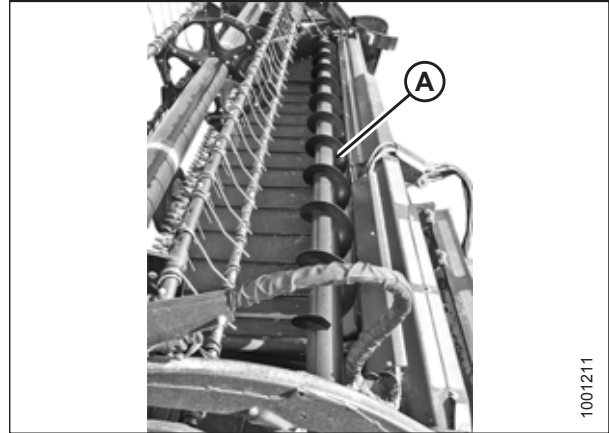


Figure 3.57: Upper Cross Auger

3.15 Transporting the Header

WARNING

Do NOT drive the windrower with header attached on a road or highway at night, or in conditions which reduce visibility, such as fog or rain. The width of the header may not be apparent under these conditions.

3.15.1 Transporting Header on Windrower

CAUTION

- Check local laws for width regulations and lighting or marking requirements before transporting on roads.
- Follow all recommended procedures in your windrower operator's manual for transporting, towing, etc.
- Disengage header drive clutch when travelling to and from the field.
- Before driving windrower on a roadway, be sure flashing amber lamps, red tail lamps, and head lamps are clean and working properly. Pivot amber lamps for best visibility by approaching traffic. Always use lamps when travelling on roads to provide adequate warning to other vehicles.
- Do NOT use field lamps on roads—they may confuse other drivers.
- Before driving on a roadway, clean slow moving vehicle signs and reflectors, adjust rear view mirrors, and clean windows.
- Lower the reel fully and raise the header unless transporting in hills.
- Maintain adequate visibility and be alert for roadside obstructions, oncoming traffic, and bridges.
- When travelling downhill, reduce speed and keep header at a minimum height to provide maximum stability if forward momentum is stopped for any reason. Raise header completely at bottom of grade to avoid contacting the ground.
- Travel at safe speeds to ensure complete machine control and stability at all times.

3.15.2 Towing

Headers with the Slow Speed Transport/Stabilizer Wheel option can be towed behind a properly configured MacDon windrower or an agricultural tractor. For instructions, refer to the windrower operator's manual.

Attaching Header to Towing Vehicle

CAUTION

Adhere to the following slow speed transport instructions to prevent loss of control leading to bodily injury and/or machine damage:

- Weight of towing vehicle must exceed header weight to ensure adequate control and braking performance.
- Do NOT tow with any highway-capable vehicle. Use only an agricultural tractor, agricultural combine, or a properly configured MacDon windrower.
- Ensure reel is fully lowered and back on support arms to increase header stability during transport. For headers with hydraulic reel fore-aft, never connect the fore-aft couplers to each other or the circuit will be complete and the reel could creep forward during transport.
- Check that all pins are properly secured in transport position at wheel supports, cutterbar support, and hitch.
- Check tire condition and pressure prior to transporting.
- Connect hitch to towing vehicle using a proper hitch pin with a spring locking pin or other suitable fastener.
- Attach hitch safety chain to towing vehicle. Adjust safety chain length to provide only enough slack to permit turning.
- Connect header seven-pole plug wiring harness to mating receptacle on towing vehicle. (The seven-pole receptacle is available from your MacDon Dealer parts department.)
- Ensure lights are functioning properly and clean the slow moving vehicle sign and other reflectors. Use flashing warning lights unless prohibited by law.

Towing the Header

CAUTION

Adhere to the following slow speed transport instructions to prevent loss of control leading to bodily injury and/or machine damage:

- Do NOT exceed 32 km/h (20 mph). Reduce transport speed to less than 8 km/h (5 mph) for corners and slippery or rough conditions.
- Turn corners at only very low speeds (8 km/h [5 mph] or less) as header stability is reduced while cornering.
- Do NOT accelerate when making or coming out of a turn.
- Obey all highway traffic regulations in your area when transporting on public roads. Use flashing amber lights unless prohibited by law.

3.15.3 Converting from Transport to Field Position

Removing Tow-Bar

1. Block the tires to prevent the header from rolling, and unhook the header from the towing vehicle.
2. Disconnect the electrical connector (A) on the tow-bar.
3. Remove pin (B) from the tow-bar, and disassemble the outer section (C) from the inner section (D).

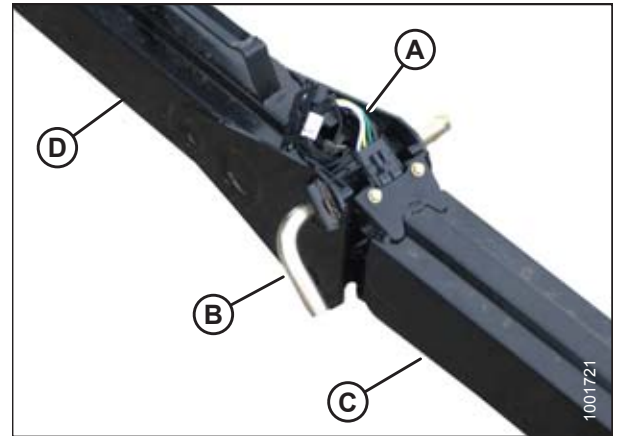


Figure 3.58: Tow-Bar Assembly

4. Disconnect the electrical connector (A) at the front wheel.

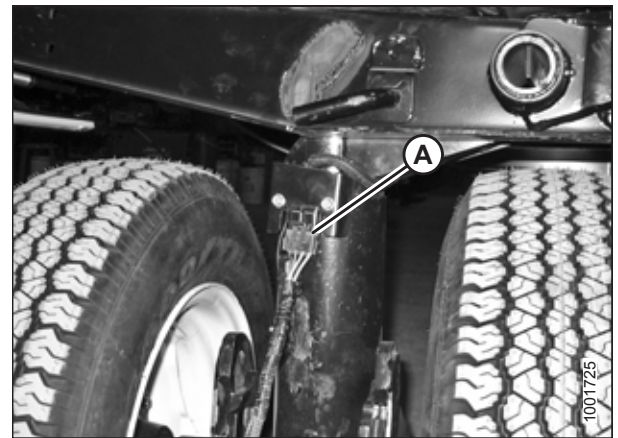


Figure 3.59: Wiring Connector

5. Remove clevis pin (A) and set aside for reinstallation.
6. Push latch (B) and lift the tow-bar (C) from the hook. Release latch.
7. Install clevis pin (A).

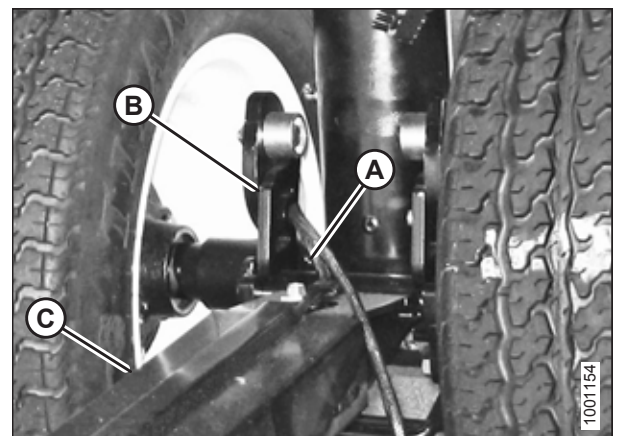


Figure 3.60: Tow-Bar Latch

OPERATION

Storing the Tow-Bar

1. Place the inner end of the outer half of the tow-bar into the cradle (A) on the left side of the header backtube.
2. Secure clevis/pintle end of the tow-bar in support (B) on the endsheet using hitch pin (C). Secure with lynch pin.
3. Install the rubber strap (D) on the cradle (A).

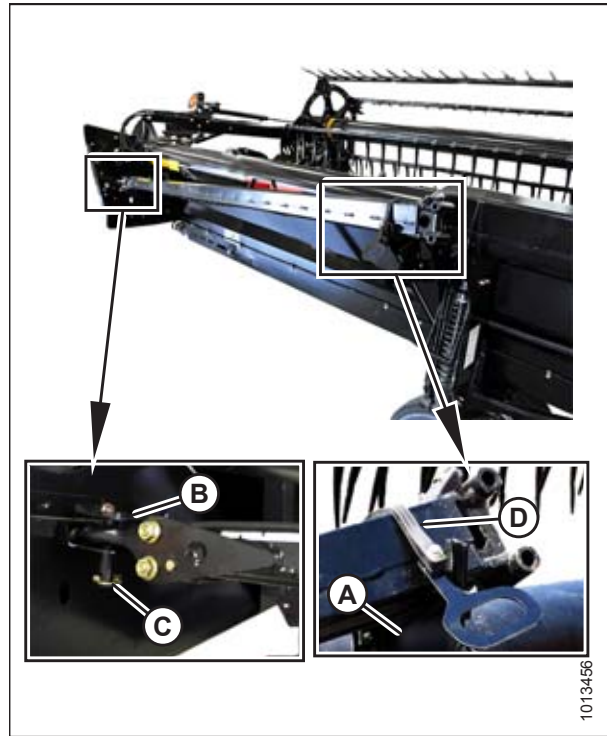


Figure 3.61: Tow-Bar Storage – Left Side

4. Place the inner end of the outer half of the tow-bar into the cradle (A) on the right side of the header backtube.
5. Secure the tube end of the tow-bar in support (B) on the endsheet using hitch pin (C). Secure with hairpin.
6. Install the rubber strap (D) on the cradle (A).

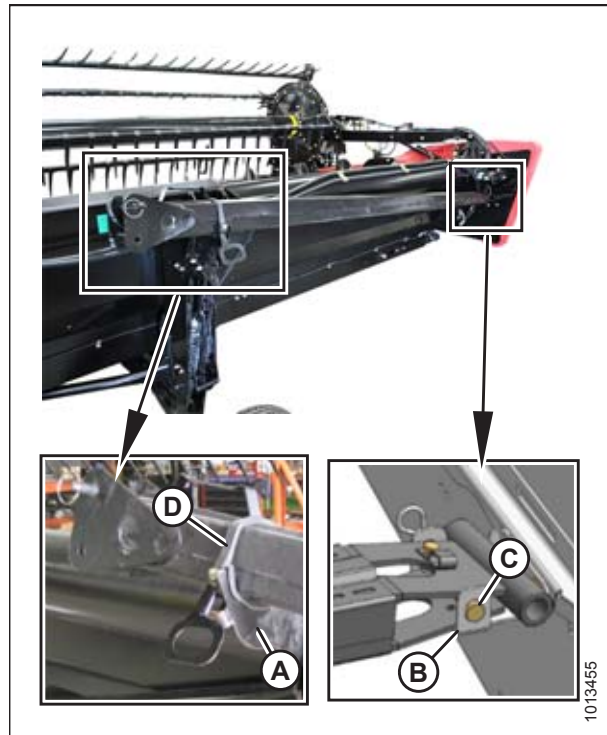


Figure 3.62: Tow-Bar Storage – Right Side

OPERATION

7. **At the right end of the 10.7 m and 12.2 m (35 ft. and 40 ft.) header:**
 - a. Place the inner end of the inner half of the tow-bar in cradle (A) on header backtube.
 - b. Secure tube end in support (B) with clevis pin (C). Secure with hairpin.
 - c. Install rubber strap (D) on cradle (A).

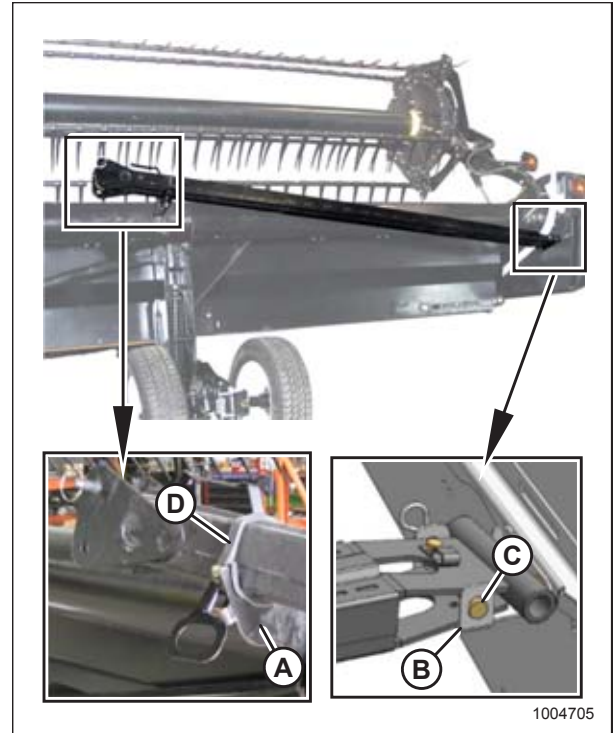


Figure 3.63: 10.7 m and 12.2 m (35 ft. and 40 ft.) Header

8. **At the right end of the 9.1 m (30 ft.) header:**
 - a. Place the inner end of the inner half of the tow-bar in cradle (A) on header backtube.
 - b. Secure tube end in support (B) with pin (C).
 - c. Install rubber strap on cradle (A).

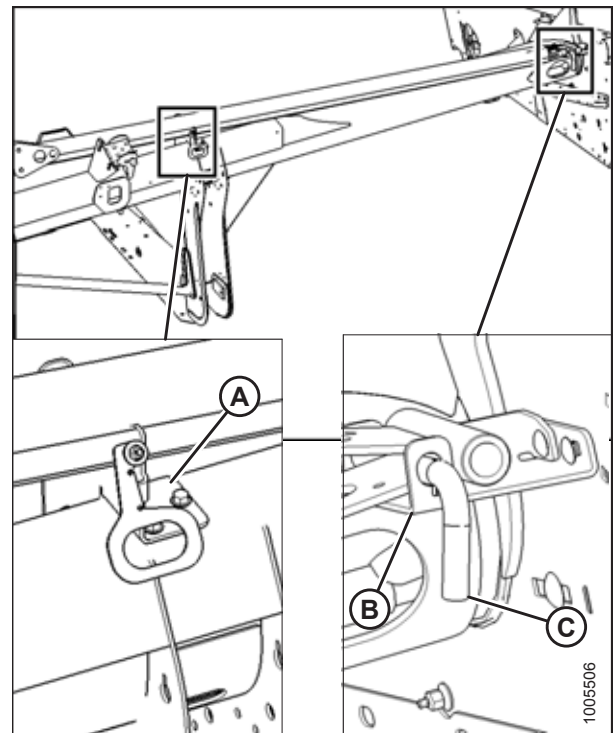


Figure 3.64: 9.1 m (30 ft.) Header

OPERATION

- Attach the header to the windrower. Refer to the windrower operator's manual for instructions.

IMPORTANT:

Carrying the tow-bar on the header will affect the main header float. Refer to the windrower operator's manual for adjustment procedures.

- Place the transport wheels into field position. Refer to the following:

- Moving Front (Left) Wheels into Field Position, page 94*
- Moving Rear (Right) Wheels into Field Position, page 95*

Moving Front (Left) Wheels into Field Position

DANGER

To avoid bodily injury or death from unexpected start-up or fall of raised machine, always stop engine, remove key, and engage safety props before going under header for any reason.

- Raise the header fully and engage the header safety props.
- Swivel the front wheel assembly (A) so the wheels are aligned with the lower frame.
- Remove pin (B) and pull the wheel assembly towards the rear of header. Store the pin in hole (C) at the top of the leg.
- Pull handle (D) upwards to release and lower the linkage into the vertical support.

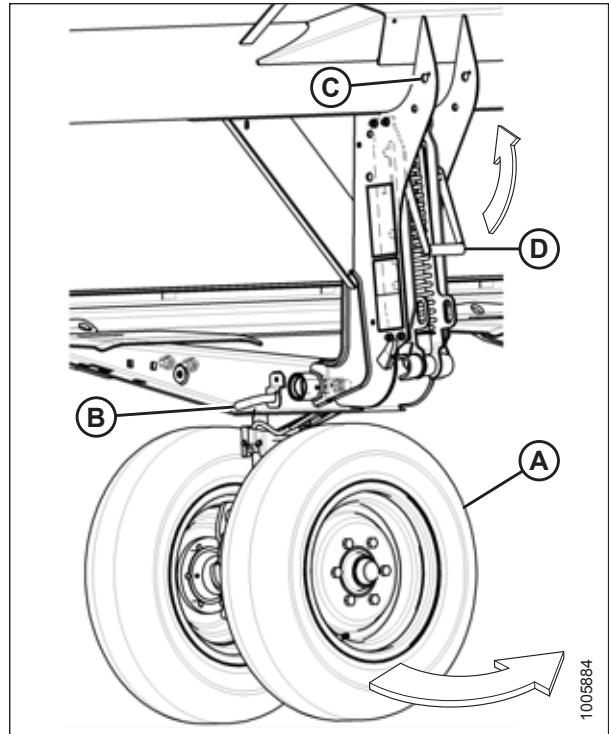


Figure 3.65: Front Wheels

OPERATION

5. Align lift hook (A) with lug (B) and lift the wheel assembly to engage the pin in the lift hook. Ensure latch (C) is engaged.
6. Install clevis pin (D) and secure to the center of the axle with hairpin.

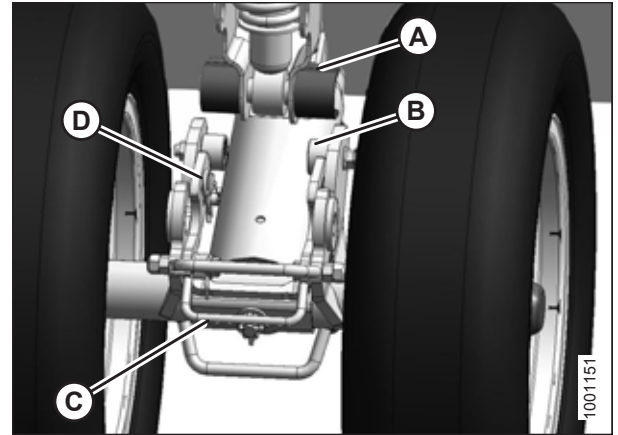


Figure 3.66: Front Wheels

7. Lift the wheel assembly to the desired height and slide the linkage (A) into the appropriate slot in the vertical support.
8. Push down on the handle (B) to lock.

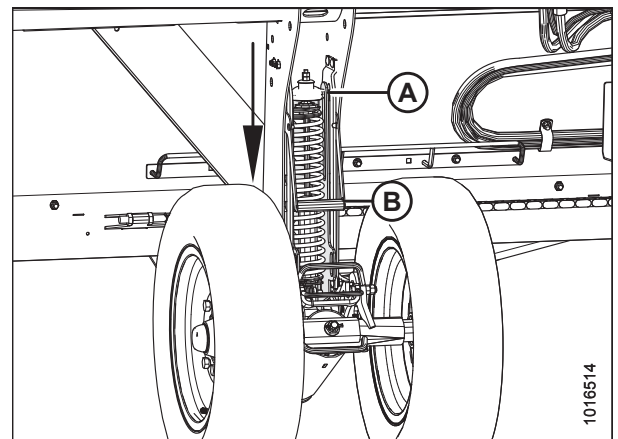


Figure 3.67: Front Wheels

Moving Rear (Right) Wheels into Field Position

1. Pull pin (A) on the left rear wheel. Swivel the wheel clockwise and lock with pin.

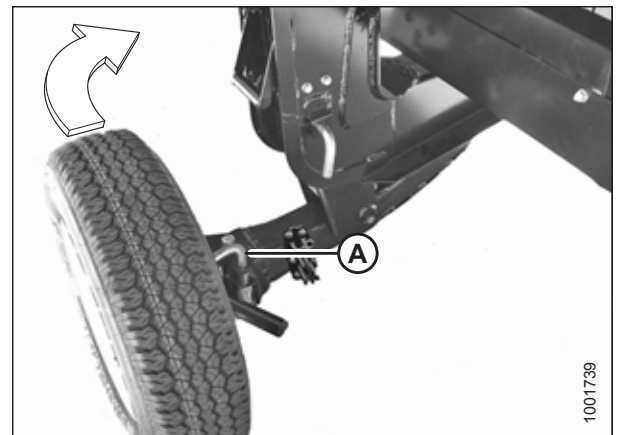


Figure 3.68: Rear Wheel – Left Side

OPERATION

2. Remove pin (A) and store at location (B).
3. Pull handle (C) upwards to release.
4. Lift the wheel to the desired height, and engage the support channel into slot (D) in the vertical support.
5. Push down on handle (C) to lock.

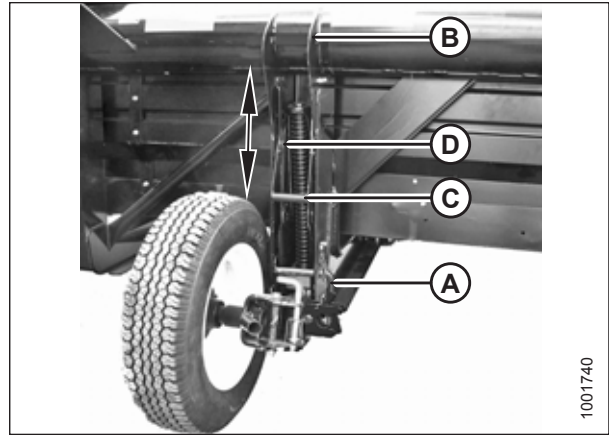


Figure 3.69: Rear Left Wheel

6. Pull the pin (A) on brace (B) on the right wheel in front of the cutterbar. Disengage the brace from the cutterbar, and lower the brace against the axle (C).
7. Remove pin (D), lower support (E) onto axle, and reinsert pin into support.
8. Swing the axle (C) clockwise towards the rear of the header.

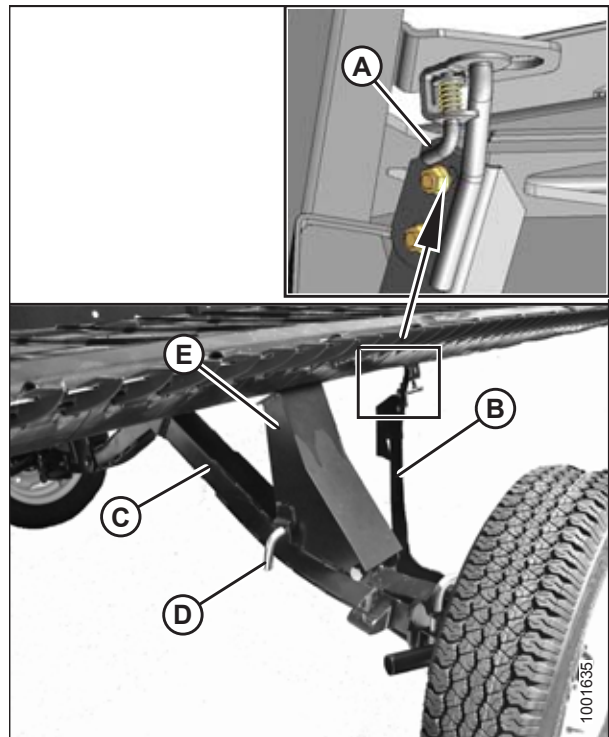


Figure 3.70: Rear Right Wheel

OPERATION

9. Pull pin (A) on right axle, swivel the wheel counterclockwise to position shown, and lock with pin (A).
10. Remove the hairpin (B) from the latch (C).
11. Lift the wheel, lift latch (C), and engage lug (D) onto the left axle. Ensure the latch closes.
12. Secure the latch with hairpin (B), ensuring the open end of the pin faces the rear of the windrower.

NOTE:

The hairpin can become dislodged by crop if installed with the open end facing the cutterbar.

IMPORTANT:

Check that wheels are locked and that handle is in locked position.

13. Complete the conversion by ensuring the left side (A) and right side (B) wheels are in the position shown.

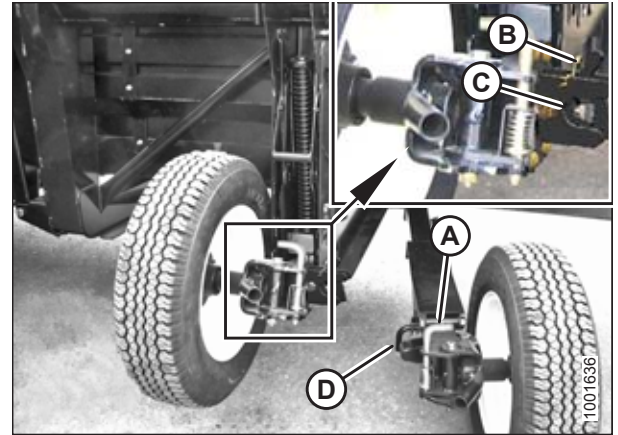


Figure 3.71: Rear Wheels

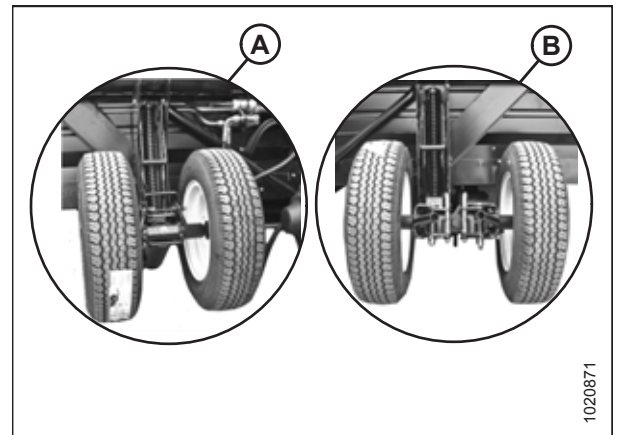


Figure 3.72: Field Position

3.15.4 Converting from Field to Transport Position

Moving Front (Left) Wheels into Transport Position

⚠ DANGER

To avoid bodily injury or death from unexpected start-up or fall of raised machine, always stop engine, remove key, and engage safety props before going under header for any reason.

⚠ CAUTION

Stand clear of wheels and release linkage carefully as wheels will drop once the mechanism is released.

1. Pull the handle (B) upwards to release and raise the linkage (A) fully upwards into the vertical support.
2. Raise the header fully, stop the engine, and remove the key from ignition. Engage the header safety props.

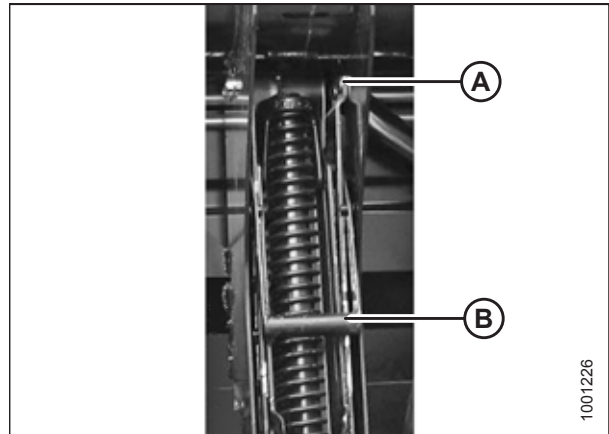


Figure 3.73: Suspension Linkage

3. Remove the hair pin and clevis pin (A).
4. Pull the latch handle (B) to release the suspension linkage (C), and pull the suspension linkage away from the spindle (D).
5. Lower the wheels slowly.

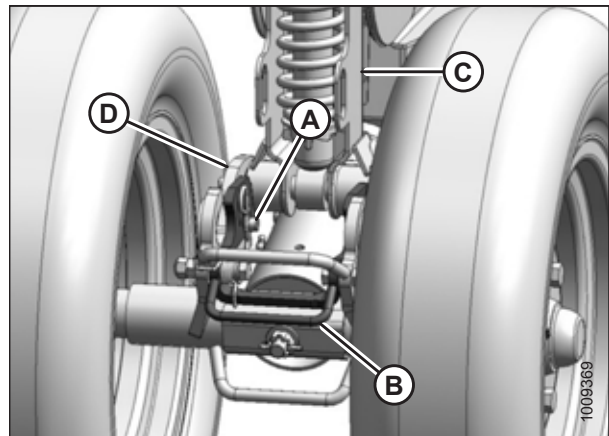


Figure 3.74: Left Front Wheels

OPERATION

6. Lower the handle (B) to lock.

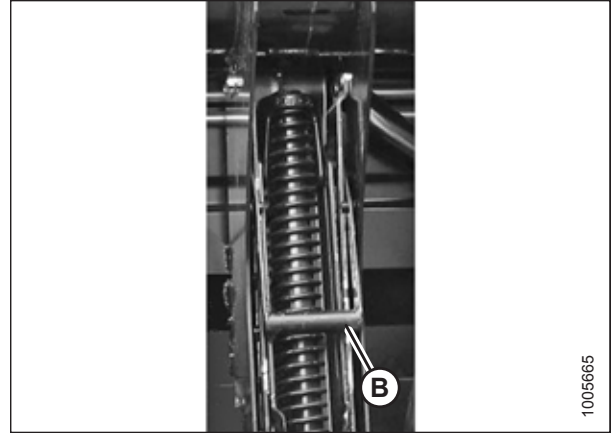


Figure 3.75: Suspension Linkage

7. Remove the pin (A) from storage at the top of the leg (B).
8. Move and swivel the wheels clockwise until the connector (C) is turned towards the front end of the header.
9. Insert pin (A) and turn to lock.
10. Lower the header until the left wheels are just touching the ground.

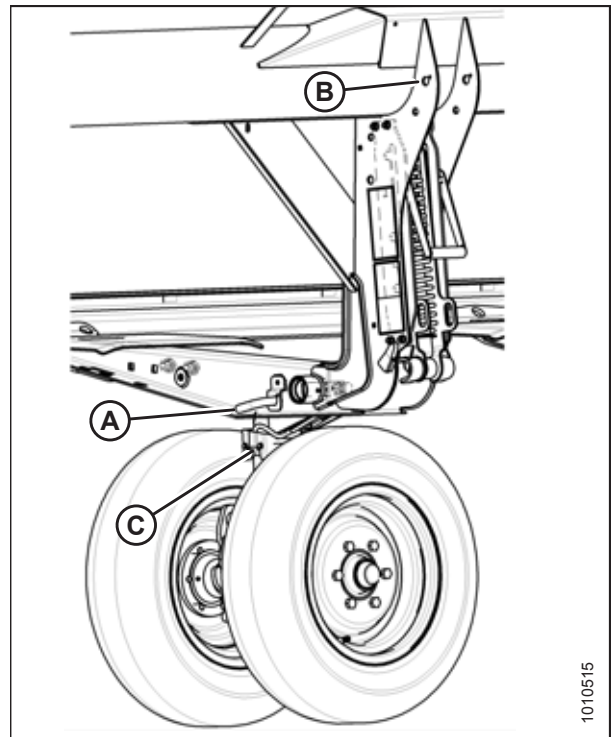


Figure 3.76: Left Front Wheels

OPERATION

Moving Rear (Right) Wheels into Transport Position

1. Remove the hairpin (A) from the latch (B).
2. Lift the latch (B), disengage the right axle (C), and lower to the ground.

CAUTION

Stand clear of wheels and release linkage carefully as wheels will drop once the mechanism is released.

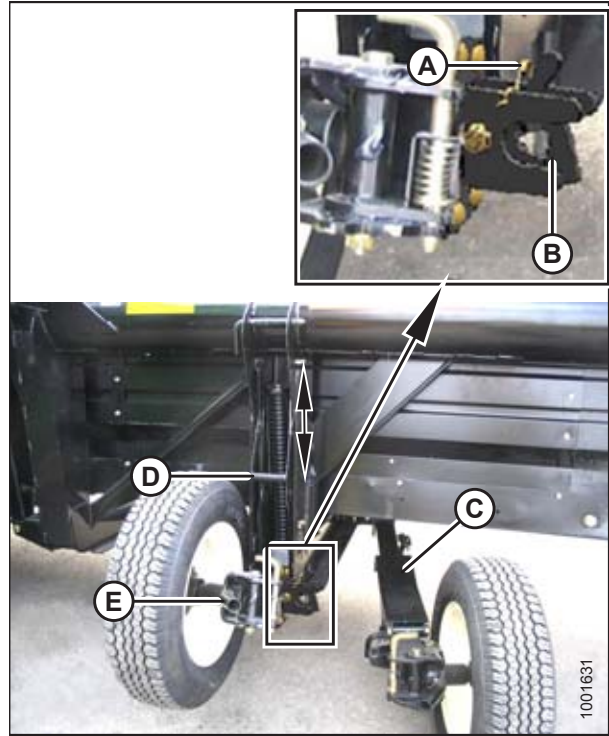


Figure 3.77: Separating Axles

3. Pull handle (D) carefully to release the spring and lower the wheel to the ground.
4. Lift the wheel and linkage with handle (E) and position the linkage in the second slot from the bottom.
5. Lower the handle (C) to lock.
6. Remove the pin (A) and install at location (B) to secure the linkage. Turn the pin to lock.
7. Pull the pin (D), swivel the wheel (C) counterclockwise 90 degrees, and release the pin to lock.

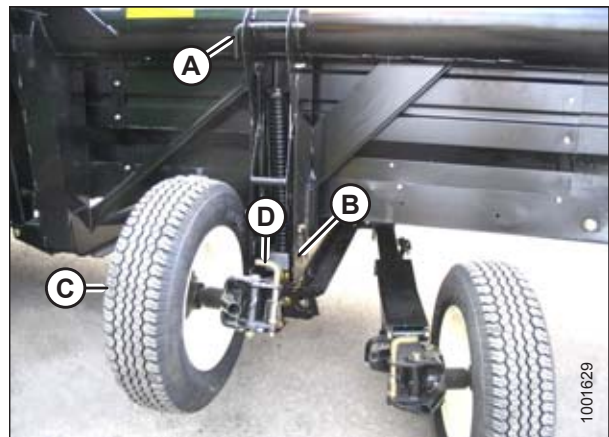


Figure 3.78: Wheel Position

OPERATION

8. Ensure the left wheel is in the transport position as shown.



Figure 3.79: Left Wheel in Transport Position

9. Pull the pin (A) and swivel the right rear wheel (B) clockwise 90 degrees.

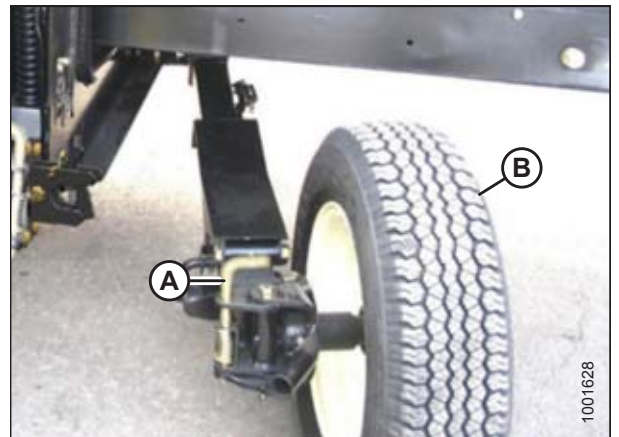


Figure 3.80: Right Rear Wheel

10. Lock the wheel (A) with pin (B). Move the right axle (C) to the front of the header.

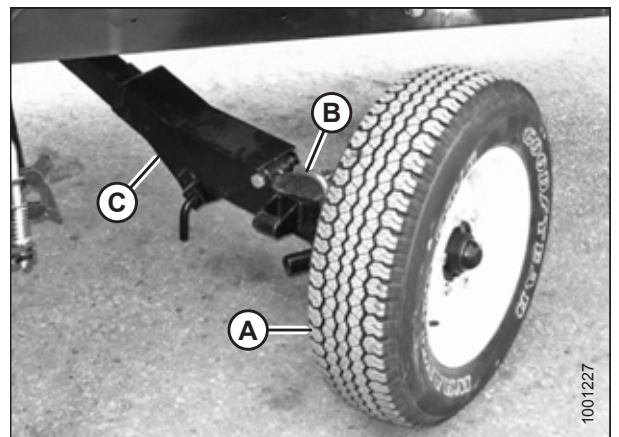


Figure 3.81: Right Rear Wheel

OPERATION

11. Remove the pin (A), raise support (B) to the position shown, and reinsert pin.

IMPORTANT:

Ensure the pin (A) engages the tube on the axle.

12. Swing the brace (C) into the position shown and insert the brace into the slot (D) behind the cutterbar. Position the brace so that pin (E) engages the hole in the bracket (F). The right hand wheel is now in transport position.
13. Disengage the header cylinder lift stops.
14. Detach the header's hydraulic and electrical connections from the windrower. Refer to [4 Header Attachment/Detachment, page 107](#).
15. Start the windrower and lower the header to the ground.

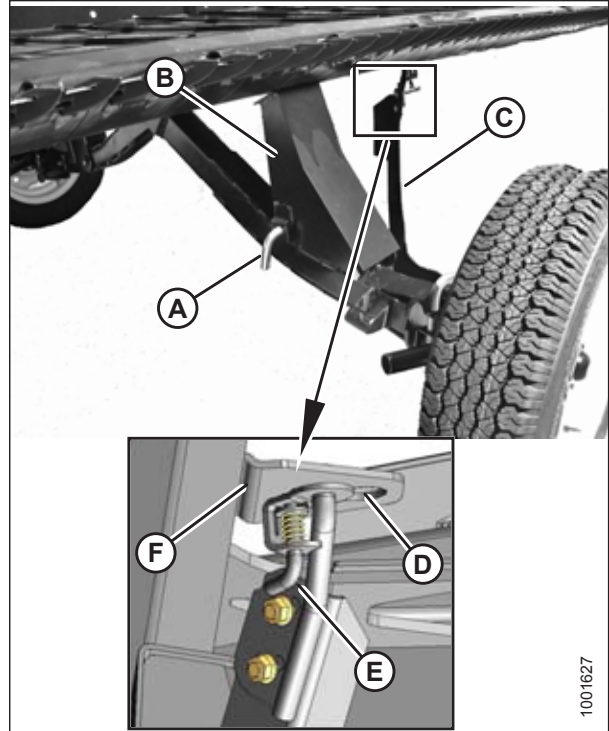


Figure 3.82: Right Rear Wheel Position

OPERATION

Attaching Tow-Bar

The tow-bar consists of two sections making for easier storage and handling.

1. Unhook the rubber strap (D) from the cradle (A) on the right side of the header.
2. Remove the clevis pin (C) and detach the tube end from the support (B).
3. Replace the clevis pin (C).
4. Lift the inner half of the tow-bar off the header and place it near the left side of the header.

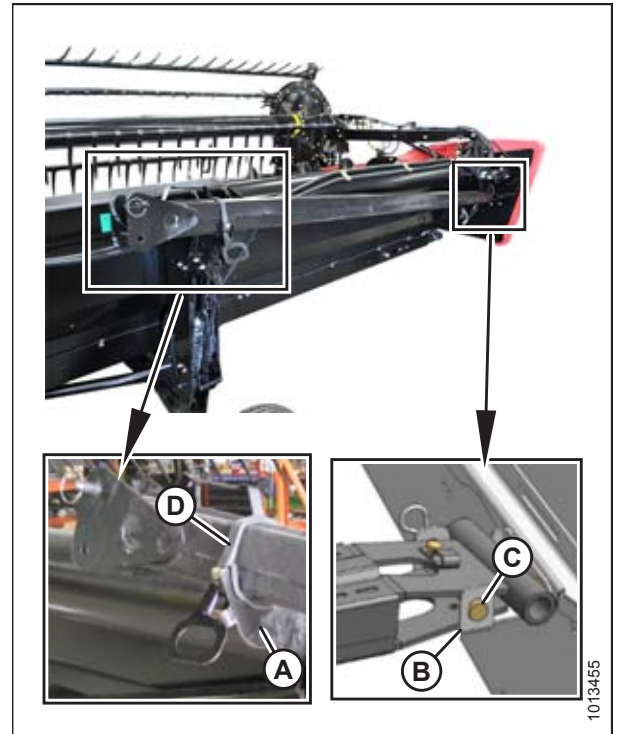


Figure 3.83: Tow-Bar Removal – Right Side

5. Unhook the rubber strap (D) from the cradle (A) on the left side of the header.
6. Remove the hitch pin (C) from the support (B), and remove the tow-bar.
7. Install the rubber strap (D) on the cradle (A).

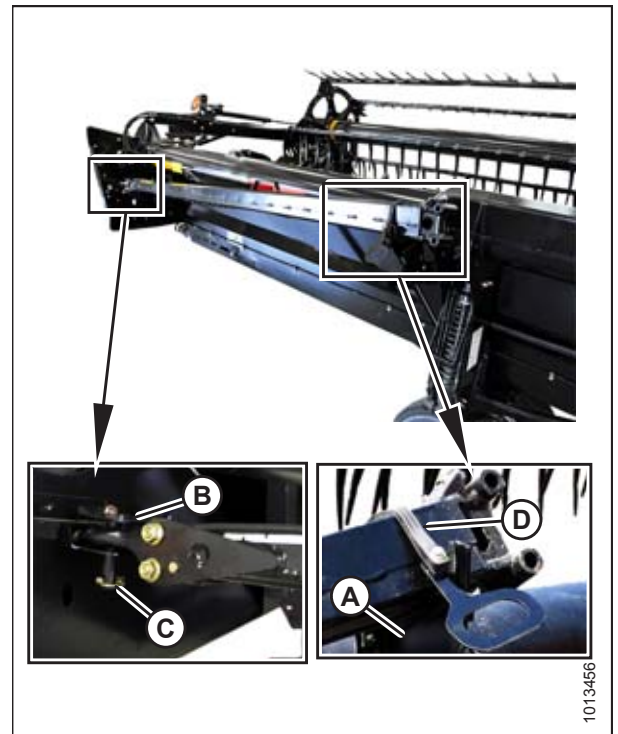


Figure 3.84: Tow-Bar Removal – Left Side

OPERATION

8. Connect the outer half (B) of the tow-bar to the inner half (A).

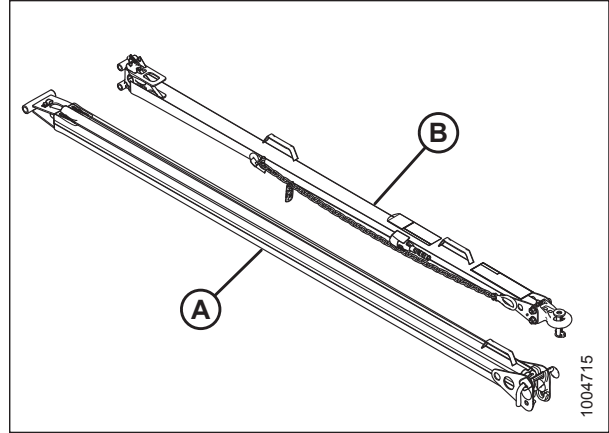


Figure 3.85: Tow-Bar Assembly

9. Lift the outer half (B) and insert it into the inner half (A).

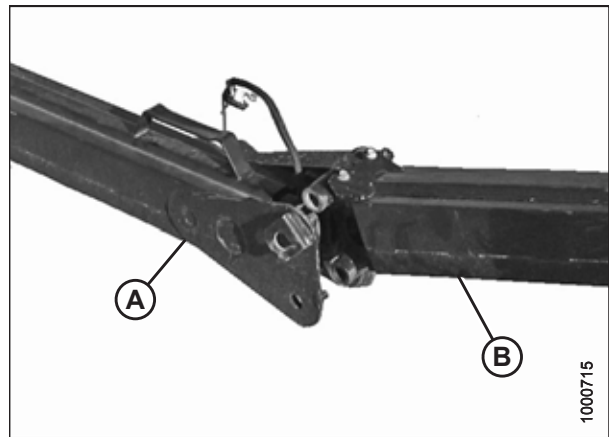


Figure 3.86: Tow-Bar Assembly

10. Secure the two halves together with the L-pin (A) and then turn to lock. Secure the L-pin with ring (B).
11. Connect the electrical harness to connector (C).

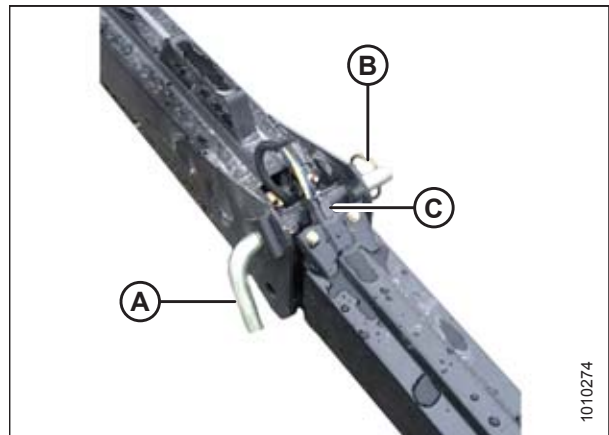


Figure 3.87: Tow-Bar Assembly

OPERATION

12. Position the tow-bar (A) onto the axle, and push against the latch (B) until the tow-bar pins drop into the hooks (C).
13. Check that latch (B) has engaged the tow-bar.
14. Install the clevis pin (D) and secure with hairpin.

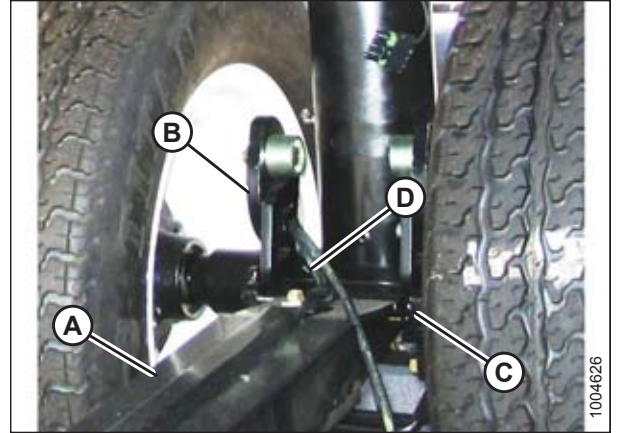


Figure 3.88: Attaching Tow-Bar

15. Connect the electrical harness (A) at the front wheel.

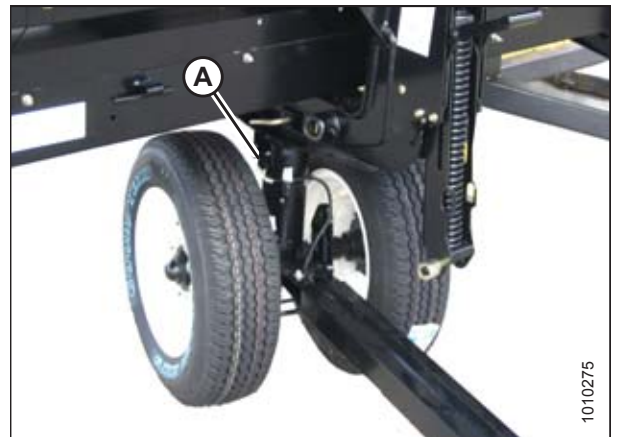


Figure 3.89: Harness Connection

4 Header Attachment/Detachment

This chapter includes instructions for setting up, attaching, and detaching the header.

4.1 Attaching Header to M1170/M1240 Windrower

NOTE:

Attaching the D125X or D1XL Series header to an M1170 or M1240 windrower requires the installation of the hydraulic hose management arm onto the header (see your MacDon Dealer). Refer to your windrower operator's manual for procedures to mechanically attach the header to the windrower.

1. Swing the left side windrower platform backwards.
Refer to windrower operator's manual.

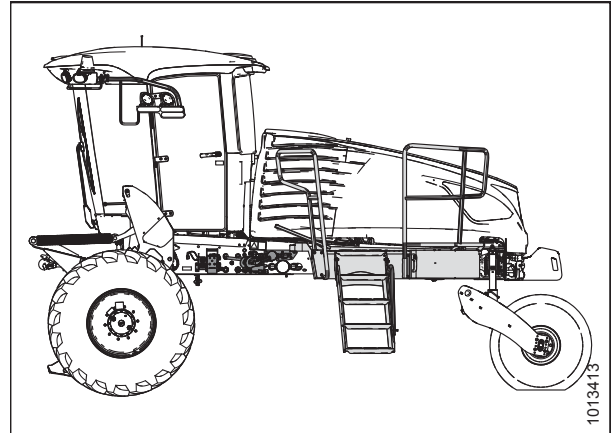


Figure 4.1: Left Side Windrower Platform

For D1X headers 6 m (20 ft.) and larger, and all D1XL headers:

2. Push the lever (A) up and pull the arm (B) to get the pin (C) out of the latch (D).

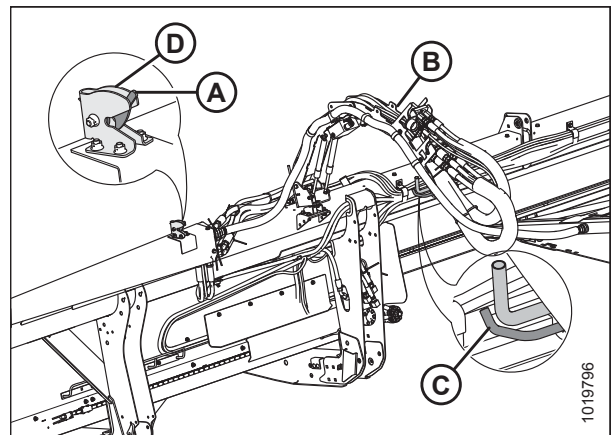


Figure 4.2: Hydraulic Hose Management Arm

HEADER ATTACHMENT/DETACHMENT

For 4.6 m (15 ft.) D1X headers:

3. Pull the hose management arm (A) towards the left outboard end of the header, disengaging the ball stud (B) from the cradle in support (C).

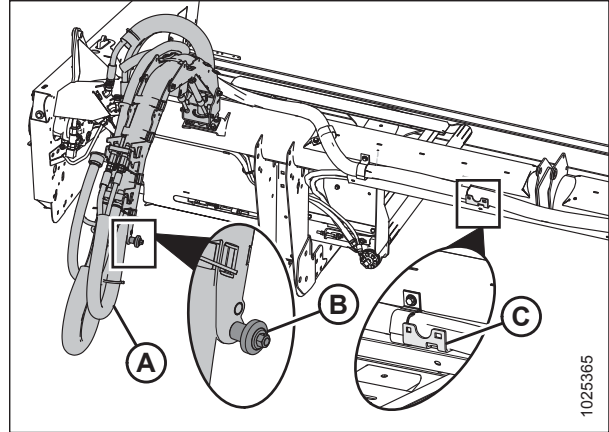


Figure 4.3: Hose Management Arm on 4.6 m (15 ft.) D1X Header

4. Connect the hydraulic hose management arm (A) to the left outer leg of the windrower by pushing the ball stud (B) into the ball stud latch (C).

NOTE:

Hydraulic hoses removed from illustration for clarity.

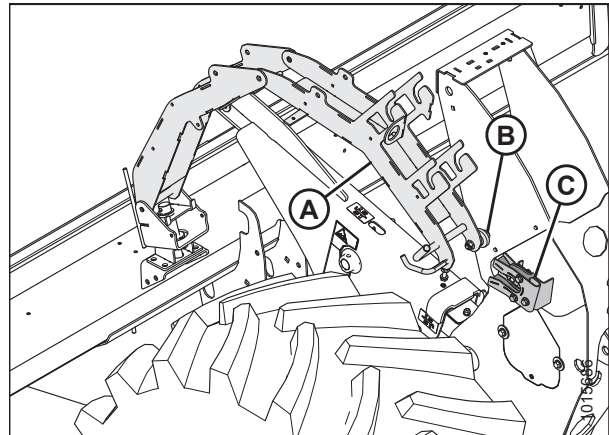


Figure 4.4: Windrower Left Outer Leg

5. Check connectors and ensure they are clean before connecting hydraulics and electrical harnesses.
6. Retrieve draper drive and reel control multicoupler (A) from hose management arm.
7. Push knob (B) on hydraulic receptacle and pull handle (C) fully away from windrower.
8. Open cover (D) and position coupler onto receptacle. Align pins in coupler with slots in handle (C) and push handle toward windrower so that coupler is locked onto receptacle and knob (B) snaps out.
9. Remove cover from electrical connector (E), push electrical connector onto receptacle, and secure by turning collar on electrical connector clockwise.

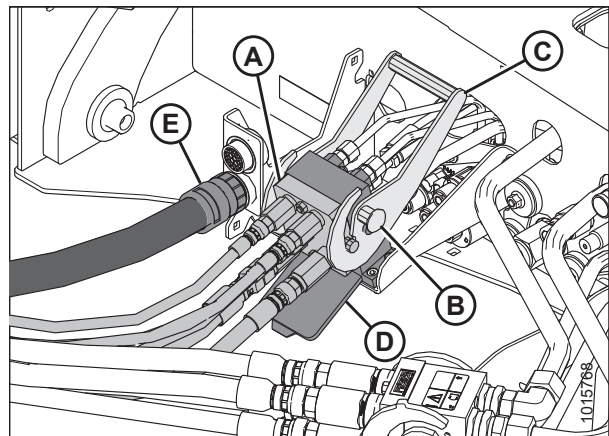


Figure 4.5: Draper/Reel Multicoupler

HEADER ATTACHMENT/DETACHMENT

10. Retrieve knife and reel drive multicoupler (A) from hose management arm.
11. Push knob (B) on hydraulic receptacle and pull handle (C) fully away from windrower.
12. Open cover (D) and position coupler onto receptacle. Align pins in coupler with slots in handle (C) and push handle toward windrower so that coupler is locked onto receptacle and knob (B) snaps out.

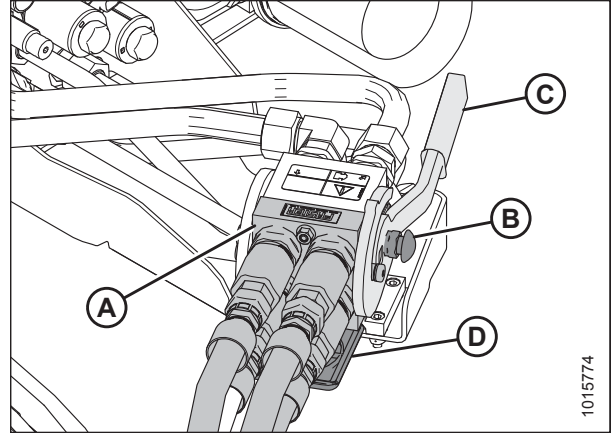


Figure 4.6: Knife/Reel Drive Multicoupler

13. Swing the left side windrower platform forward. Refer to windrower operator's manual.

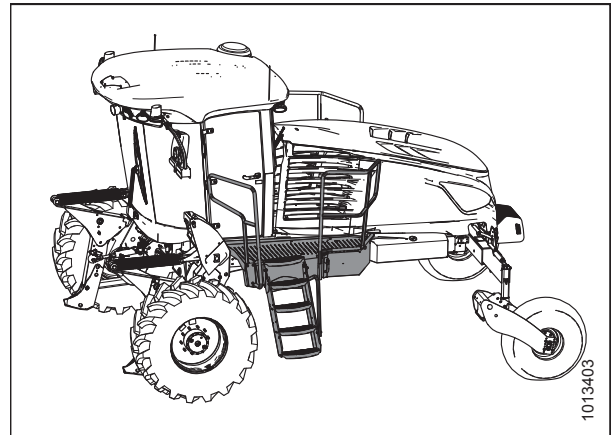


Figure 4.7: Left Side Windrower Platform

14. Ensure hydraulic hose routing is as straight as possible and avoid potential rub/wear points.

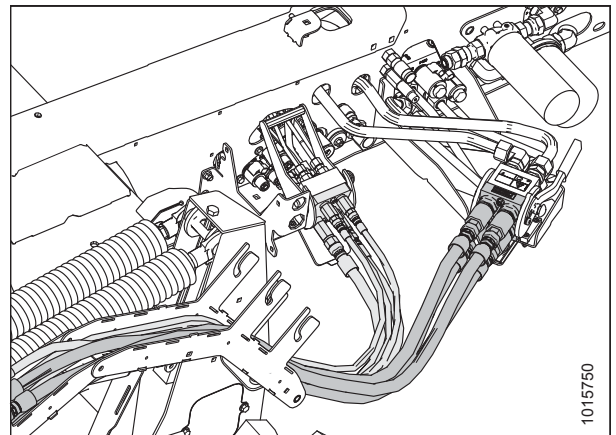


Figure 4.8: Hydraulic Multicouplers and Hose Routing

4.2 Detaching Header from M1170/M1240 Windrower

1. Lower the reel fully.
2. Swing the left side windrower platform backwards. Refer to windrower operator's manual.

NOTE:

Firmly hold handle (C) when disconnecting the multicoupler (A). Pressure may cause the handle to kick back with force.

3. Push lock button (B) and pull handle (C) to disengage multicoupler (A) and disconnect the hydraulics from the windrower knife/reel drive receptacle.
4. Remove any debris that may have accumulated on the receptacle, and close the cover (D).
5. Route hose bundle with multicoupler (A) back to the storage position on the hydraulic hose management arm.
6. Push lock button (B), and pull handle (C) to disengage multicoupler (A) and disconnect the hydraulics from the windrower draper/reel receptacle.
7. Remove any debris that may have accumulated on the windrower front receptacle, and close cover (D).
8. Disconnect electrical connector (E).
9. Route hose bundle with multicoupler back to the storage position on the hydraulic hose management arm.

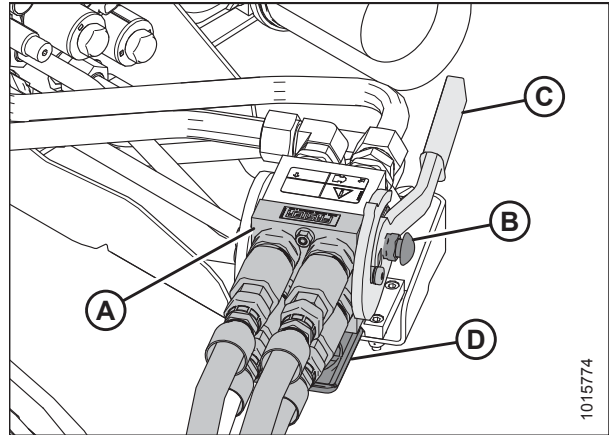


Figure 4.9: Knife/Reel Drive Multicoupler

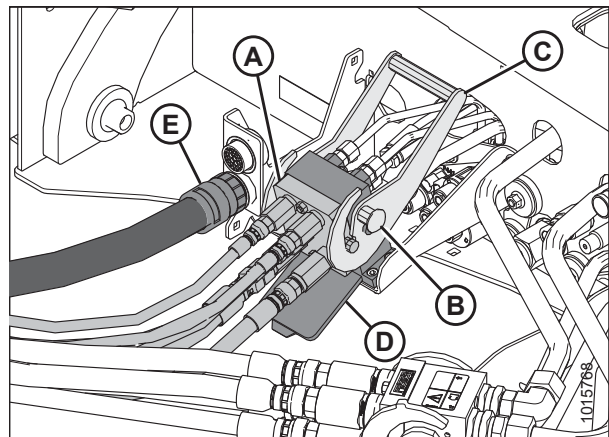


Figure 4.10: Draper/Reel Multicoupler

10. Disconnect the hydraulic hose management arm (A) from the left outer leg of the windrower by pulling ball stud latch handle (C) to disengage the ball stud (B) from the support.

NOTE:

Hydraulic hoses removed from illustration for clarity.

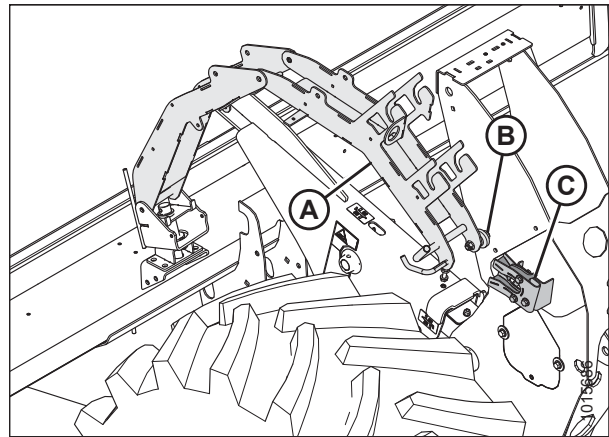


Figure 4.11: Windrower Left Outer Leg

HEADER ATTACHMENT/DETACHMENT

For D1X headers 6 m (20 ft.) and larger, and all D1XL headers:

11. Pull arm (B) to the latch (D) on the left side of the header, and align pin (C) to the latch opening. Push arm (B) so lever (A) can secure the pin.

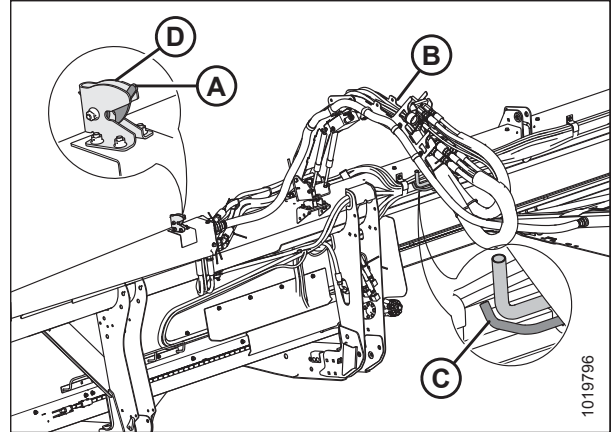


Figure 4.12: Hydraulic Hose Management Arm

For 4.6 m (15 ft.) D1X headers:

12. Pull the hose management arm (A) inboard and towards the center of the header. Set the ball stud (B) into the cradle on support (C).

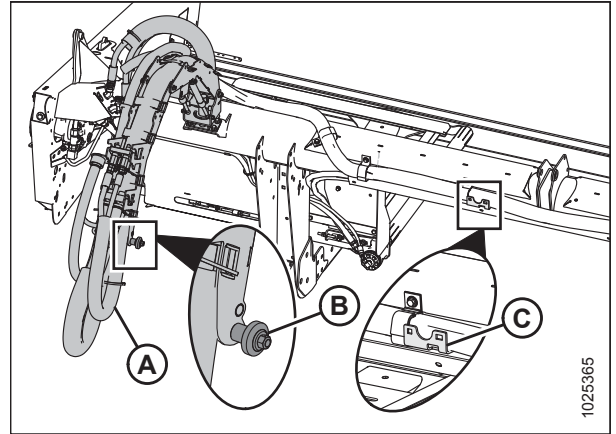


Figure 4.13: Hose Management Arm on 4.6 m (15 ft.) D1X Header

13. Swing the left side windrower platform forwards. Refer to windrower operator's manual.
14. Detach header from windrower. Refer to the windrower operator's manual.

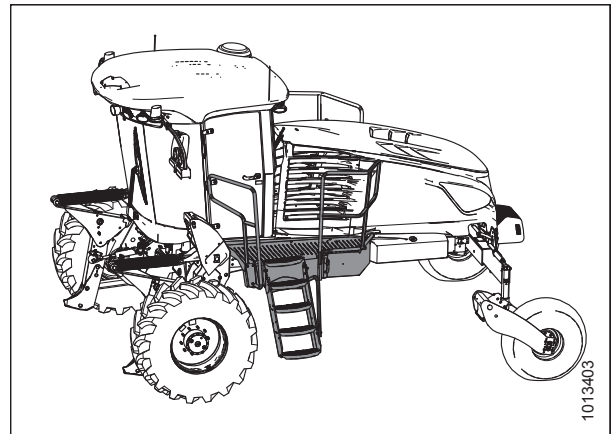


Figure 4.14: Left Side Windrower Platform

5 Maintenance and Servicing

The following instructions provide information about routine header service. Detailed maintenance and service information is available in the technical service manual that is available from your Dealer. A parts catalog is provided in the plastic manual case inside the left endshield of the header.

Log hours of operation and use the maintenance record provided (refer to [5.3.1 Maintenance Schedule/Record, page 116](#)) to keep track of your scheduled maintenance.

5.1 Preparing Machine for Servicing

DANGER

To avoid bodily injury or death from unexpected start-up or fall of a raised machine, always stop engine and remove key before leaving the operator's seat, and always engage safety props before going under the machine for any reason.

CAUTION

To avoid personal injury, follow all the safety precautions listed before servicing header or opening drive covers.

1. Lower the header fully. If it is necessary to service the header in the raised position, always engage the safety props.
2. Stop the engine and remove the key from the ignition.
3. Engage the park brake.
4. Wait for all moving parts to stop.

5.2 Maintenance Specifications

5.2.1 Installing a Roller Chain

DANGER

To avoid bodily injury or death from unexpected start-up of machine, always stop engine and remove key from ignition before leaving operator's seat for any reason.

1. Position the ends of the chain onto the sprocket.
2. Install the pin connector (A) (not available as a MacDon part) into the chain (preferably from backside of sprocket).
3. Install connector (B) onto the pins.
4. Install the spring clip (C) onto the front pin (D) with the closed end of the spring clip facing the direction of sprocket rotation.
5. Position one leg of the spring clip (C) into the groove of the aft pin (E).
6. Press the other leg of the spring clip (C) over the face of the aft pin (E) until it slips into the groove. Do **NOT** press the spring clip lengthwise from the closed end.
7. Ensure the spring clip (C) is seated into the grooves of the front pin (D) and the aft pin (E).

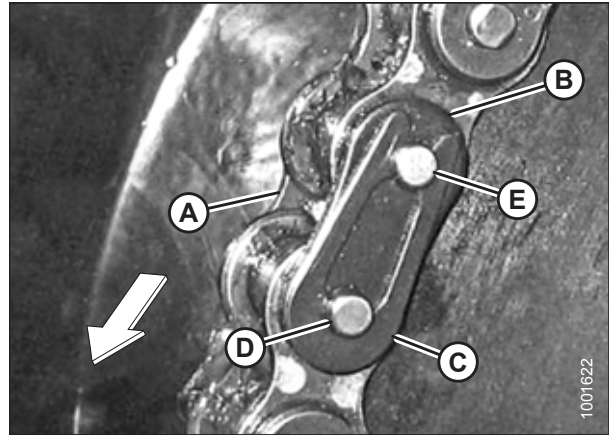


Figure 5.1: Roller Chain

5.2.2 Installing a Sealed Bearing

1. Clean the shaft and apply a rust preventive coating.
 2. Install the flangette (A), bearing (B), second flangette (C), and lock the collar (D).
- NOTE:**
The locking cam is only on one side of the bearing.
3. Install the flangette bolts (E). Do **NOT** tighten.
 4. Position the shaft correctly, and lock the lock collar with a punch. Lock the collar in the same direction the shaft rotates, and tighten the setscrew in the collar.
 5. Tighten the flangette bolts (E).
 6. Loosen the flangette bolts on the mating bearing (one turn) and then retighten. This will allow the bearing to properly line up.

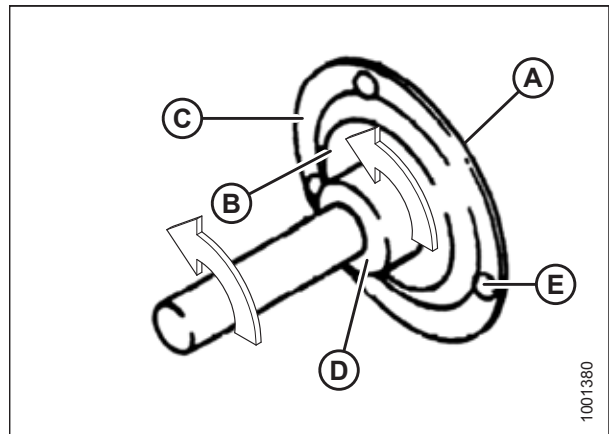


Figure 5.2: Sealed Bearing

5.3 Maintenance Requirements

Periodic maintenance requirements are organized according to service intervals.

Regular maintenance is the best insurance against early wear and untimely breakdowns. Following the maintenance schedule will increase your machine's life.

When servicing the machine, refer to the specific headings in this section and use only fluids and lubricants specified on the inside back cover of this manual.

Log hours of operation, use the maintenance record, and keep copies of your maintenance records (refer to [5.3.1 Maintenance Schedule/Record, page 116](#)).

If a service interval specifies more than one timeframe, e.g., 100 hours or Annually, service the machine at whichever interval is reached first.

IMPORTANT:

Recommended intervals are for average conditions. Service the machine more often if operating under adverse conditions (severe dust, extra heavy loads, etc.).






CAUTION

Carefully follow safety messages. Refer to [5.1 Preparing Machine for Servicing, page 113](#) and [1 Safety, page 1](#).

MAINTENANCE AND SERVICING

5.3.1 Maintenance Schedule/Record

Action		✓ - Check				⬇ - Lubricate				▲ - Change			
	Hour Meter Reading												
	Service Date												
	Serviced By												
First Use		Refer to 5.3.2 Break-In Inspection, page 118											
End of Season		Refer to 5.3.4 End-of-Season Service, page 119											
10 Hours or Daily													
✓	Hydraulic Hoses and Lines - Refer to 5.3.5 Checking Hydraulic Hoses and Lines, page 120 .	NOTE: Keep a record of daily maintenance as evidence of a properly maintained machine; however, daily maintenance records are not required to meet normal warranty conditions.											
✓	Knife Sections, Guards, and Hold-Downs - Refer to 5.5 Cutterbar, page 132 .	NOTE: Keep a record of daily maintenance as evidence of a properly maintained machine; however, daily maintenance records are not required to meet normal warranty conditions.											
✓	Tire Pressure - Refer to 5.10.3 Checking Tire Pressure, page 242 .	NOTE: Keep a record of daily maintenance as evidence of a properly maintained machine; however, daily maintenance records are not required to meet normal warranty conditions.											
⬇	Knife (except in sandy conditions) - Refer to 5.5 Cutterbar, page 132 .	NOTE: Keep a record of daily maintenance as evidence of a properly maintained machine; however, daily maintenance records are not required to meet normal warranty conditions.											
25 Hours													
⬇	Knifehead(s) - Refer to 5.5 Cutterbar, page 132 .	NOTE: Keep a record of daily maintenance as evidence of a properly maintained machine; however, daily maintenance records are not required to meet normal warranty conditions.											
50 Hours													
✓	Draper Roller Bearings - Refer to 5.7.6 Draper Roller Maintenance, page 185 .												
⬇	Knife Drive Box Lubricant (First 50 Hours Only) - Refer to 5.6.1 Knife Drive Box, page 146 .												
250 Hours													
✓	Draper Seal - Refer to 5.7.2 Installing Drapers, page 177 .												
⬇	Reel Drive U-Joint - Refer to 5.9 Reel System, page 224 .												
⬇	Transport Axle Pivot Bushings - Refer to 5.10 Transport System (Optional), page 240 .												
⬇	Upper Cross Auger Center Support and U-Joint - Refer to 5.10, page 124 .												

MAINTENANCE AND SERVICING

Action		✓ - Check				⬇ - Lubricate				▲ - Change			
500 Hours													
✓	Draper Seal - Refer to <i>5.7.2 Installing Drapers, page 177.</i>												
⬇	Reel Drive U-Joint - Refer to <i>5.9 Reel System, page 224.</i>												
⬇	Stabilizer/Slow Speed Transport Wheel Bearings - Refer to <i>5.10 Transport System (Optional), page 240.</i>												
1000 Hours													
▲	Knife Drive Box Lubricant - Refer to <i>5.6.1 Knife Drive Box, page 146.</i>												

5.3.2 Break-In Inspection

Break-in inspection involves checking belts, fluids, and performing general machine inspections for loose hardware or other areas of concern. Break-in inspections ensure that all components can operate for an extended period without requiring service or replacement. The break-in period is the first 50 hours of operation after the machine's initial start up.

Inspection Interval	Item	Refer to
5 Hours	Check for loose hardware and tighten to required torque.	<i>9.1 Torque Specifications, page 269</i>
5 Hours	Check knife drive belts tension (check periodically for first 50 hours).	<ul style="list-style-type: none"> • <i>Checking and Tensioning , page 162</i> • <i>Tensioning Timed Knife Drive Belts, page 168</i>
10 Hours	Check knife drive box mounting bolts.	<i>Checking Mounting Bolts, page 146</i>
50 Hours	Change knife drive box lubricant.	<i>Changing Oil in Knife Drive Box, page 158</i>

5.3.3 Preseason Servicing

Perform the following procedures at the beginning of each operating season:

 **CAUTION**

- Review this manual to refresh your memory on the safety and operating recommendations.
 - Review all the safety decals and other decals on the header and note the hazard areas.
 - Be sure all the shields and guards are properly installed and secured. Never alter or remove safety equipment.
 - Be sure you understand and have practiced safe use of all controls. Know the capacity and operating characteristics of the machine.
 - Ensure you have a first aid kit and fire extinguisher. Know where they are and how to use them.
1. Lubricate the machine completely. Refer to *5.3.6 Lubrication and Servicing, page 121*.
 2. Adjust the tension on the drive belts. Refer to *Checking and Tensioning , page 162* or *Tensioning Timed Knife Drive Belts, page 168*.
 3. Perform all annual maintenance tasks. Refer to *5.3.1 Maintenance Schedule/Record, page 116*.

5.3.4 End-of-Season Service

Perform the following procedures at the end of each operating season:

 **CAUTION**

Never use gasoline, naphtha, or any volatile material for cleaning purposes. These materials may be toxic and/or flammable.

 **CAUTION**

Cover cutterbar and knife guards to prevent injury from accidental contact.

1. Clean the header thoroughly.
2. Bring the machine for storage in a dry and protected place if possible. If storing outside, always cover the machine with a waterproof canvas or other protective material.

NOTE:

If storing the machine outside, remove the drapers and store them in a dark, dry place. If not removing the drapers, store the header with the cutterbar lowered so water and snow will not accumulate on the drapers. The weight of water and snow accumulation puts excessive stress on the drapers and header.

3. Lower the header onto blocks to keep the cutterbar off the ground.
4. Lower the reel completely. If stored outside, tie the reel to the frame to prevent rotation caused by the wind.
5. Repaint all worn or chipped painted surfaces to prevent rust.
6. Loosen the drive belts.
7. Lubricate the header thoroughly leaving excess grease on the fittings to keep moisture out of the bearings.
8. Apply grease to exposed threads, cylinder rods, and sliding surfaces of components.
9. Lubricate the knife. Refer to the inside back cover for recommended lubricants.
10. Check for worn components and repair as necessary.
11. Check for broken components and order replacements from your Dealer. Immediate repair of these items will save time and effort at the beginning of next season.
12. Replace or tighten any missing or loose hardware. Refer to [9.1 Torque Specifications, page 269](#).

5.3.5 Checking Hydraulic Hoses and Lines

Check hydraulic hoses and lines daily for signs of leaks.

WARNING

- Avoid high-pressure fluids. Escaping fluid can penetrate the skin causing serious injury. Relieve pressure before disconnecting hydraulic lines. Tighten all connections before applying pressure. Keep hands and body away from pin holes and nozzles which eject fluids under high pressure.
- If any fluid is injected into the skin, it must be surgically removed within a few hours by a doctor familiar with this type of injury or gangrene may result.



Figure 5.3: Hydraulic Pressure Hazard

- Use a piece of cardboard or paper to search for leaks.

IMPORTANT:

Keep hydraulic coupler tips and connectors clean. Allowing dust, dirt, water, or foreign material to enter the system is the major cause of hydraulic system damage. Do **NOT** attempt to service hydraulic systems in the field. Precision fits require a perfectly clean connection during overhaul.

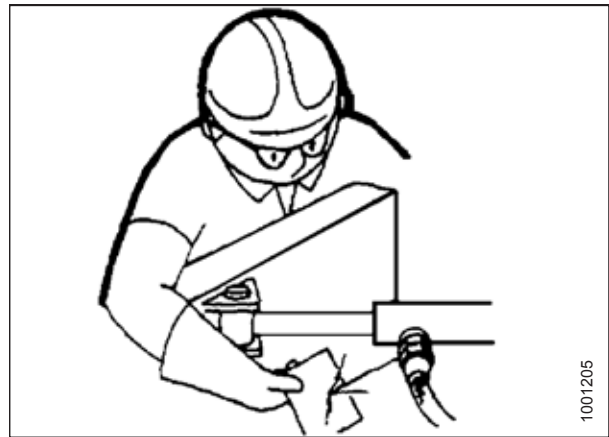


Figure 5.4: Testing for Hydraulic Leaks

5.3.6 Lubrication and Servicing

WARNING

To avoid personal injury, before servicing mower conditioner or opening drive covers, refer to [5.1 Preparing Machine for Servicing, page 113](#).

Greasing points are marked on the machine by decals showing a grease gun and the grease interval in hours of operation.

Refer to the inside back cover of this manual for recommended lubricants.

Log hours of operation and use the Maintenance Record provided to keep a record of scheduled maintenance. Refer to [5.3.1 Maintenance Schedule/Record, page 116](#).

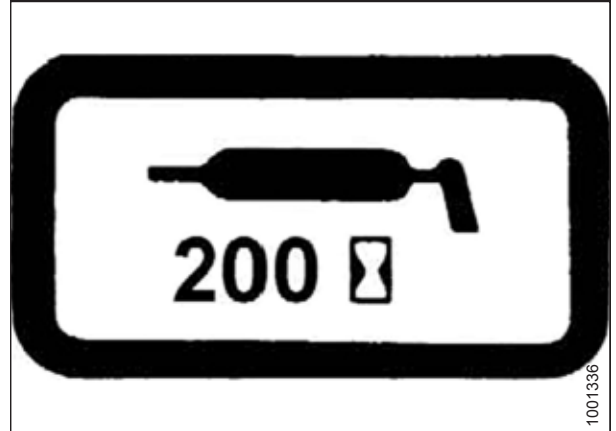


Figure 5.5: Grease Interval Decal

Greasing Procedure

DANGER

To avoid bodily injury or death from unexpected start-up of machine, always stop engine and remove key from ignition before leaving operator's seat for any reason.

1. Open driveshields at ends of header to access greasing points. Refer to [Opening Endshields, page 35](#).
2. Wipe grease fitting with a clean cloth before greasing to avoid injecting dirt and grit.
3. Inject grease through fitting with grease gun until grease overflows fitting, except where noted.

IMPORTANT:

Use only recommended lubricants specified in this manual. Refer to the inside back cover of this manual for recommended lubricants.

4. Leave excess grease on fitting to keep out dirt.
5. Replace any loose or broken fittings immediately.
6. Remove and thoroughly clean any fitting that will not take grease. Also clean lubricant passageway. Replace fitting if necessary.

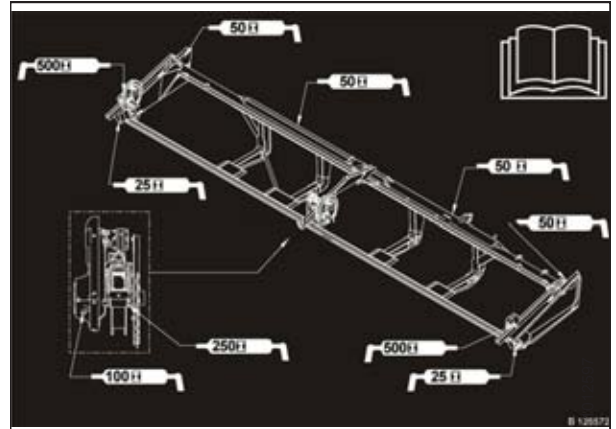


Figure 5.6: Grease Point Location Decal

MAINTENANCE AND SERVICING

Service Intervals

Every 10 Hours

Use high temperature extreme pressure (EP2) performance grease with 1% max molybdenum disulphide (NLGI Grade 2) lithium base unless otherwise specified.

Knife: Lubricate the knife every 10 hours or daily, except in sandy conditions.

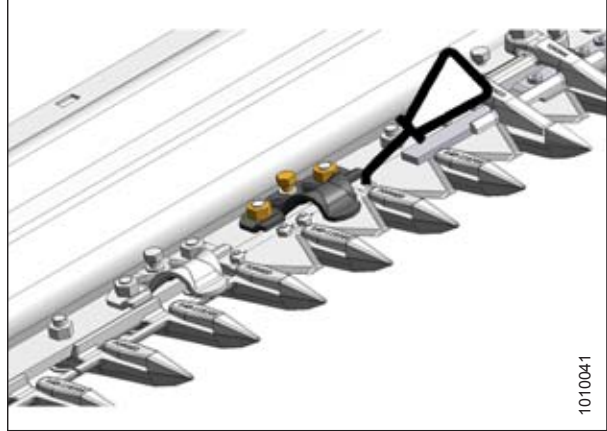


Figure 5.7: Lubricating Knife

Every 25 Hours

Use high temperature extreme pressure (EP2) performance grease with 1% max molybdenum disulphide (NLGI Grade 2) lithium base unless otherwise specified.

Knifehead: Lubricate the knifehead (A) every 25 hours. Check for signs of excessive heating on the first few guards after greasing. If required, relieve the pressure by pressing the check-ball in the grease fitting.

IMPORTANT:

Overgreasing the knifehead puts pressure on the knife causing it to rub against the guards, resulting in excessive wear from binding. Do **NOT** overgrease the knifehead. Apply only one to two pumps using a mechanical grease gun (do **NOT** use an electric grease gun). If more than six to eight pumps of the grease gun are required to fill the cavity, replace the seal in the knifehead. Refer to [5.5.3 Removing Knifehead Bearing, page 133](#).

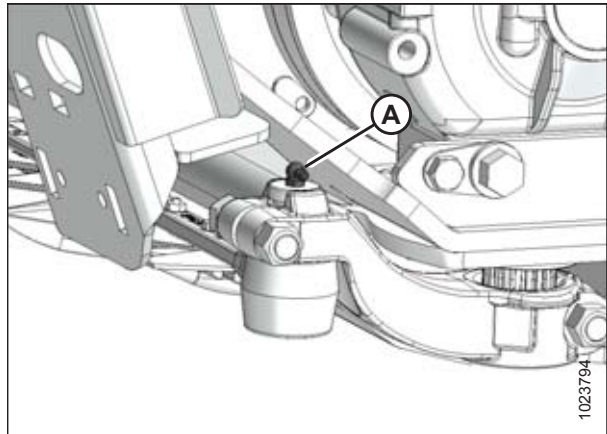


Figure 5.8: Every 25 Hours

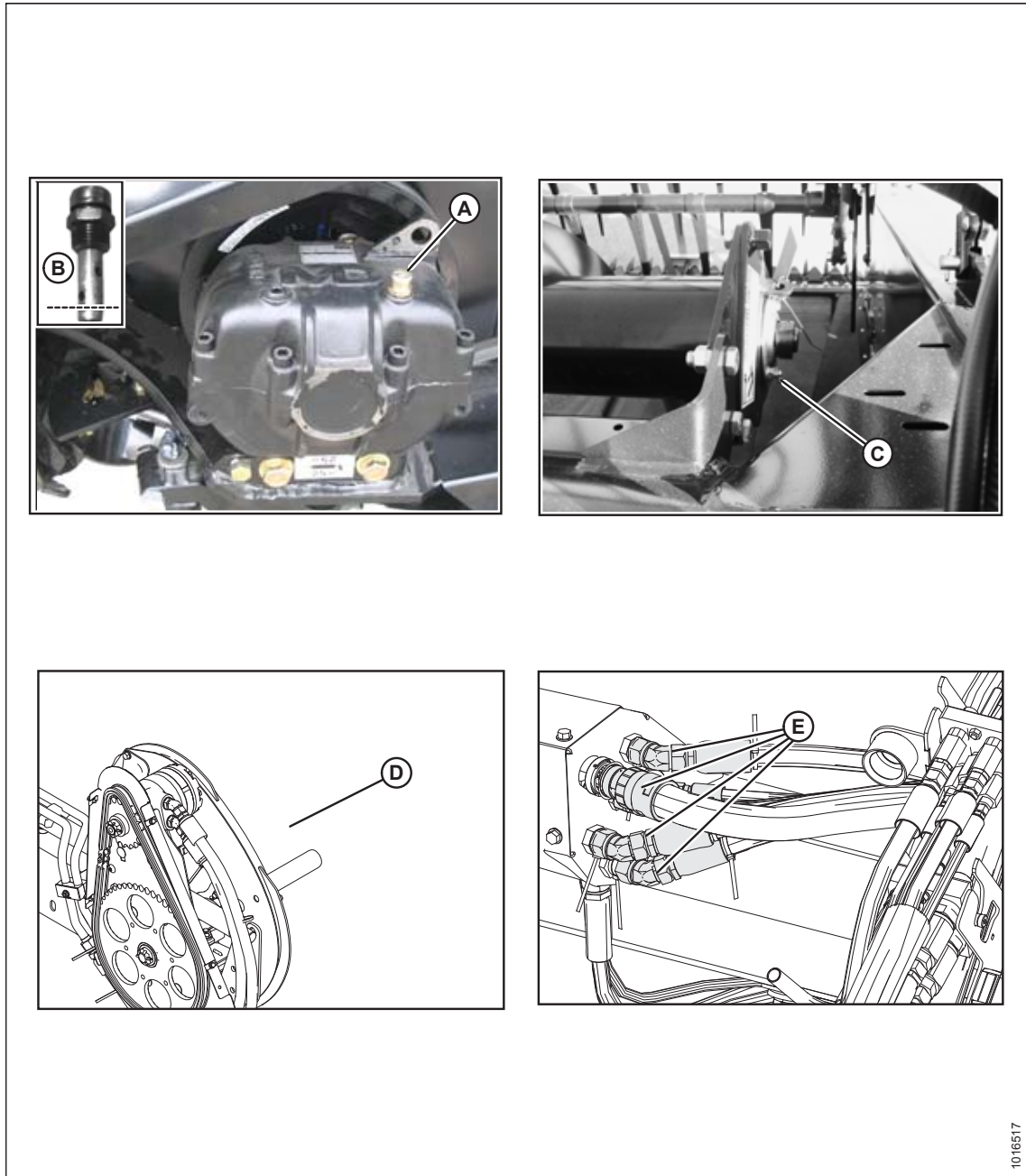
MAINTENANCE AND SERVICING

Every 100 Hours

NOTE:

Use High Temperature Extreme Pressure (EP2) Performance with 1% Max Molybdenum Disulphide (NLGI Grade 2) Lithium Base unless otherwise specified.

Figure 5.9: Every 100 Hours



- A - Knife Drive Box (Check Oil Level with Top of Knife Drive Box in Horizontal Position)
- B - Dipstick (Level between Lower Hole and End of Dipstick)
- C - Upper Cross Auger Bearing
- D - Reel Drive Chain
- E - Hydraulic Couplers (Use WD40® or Equivalent)

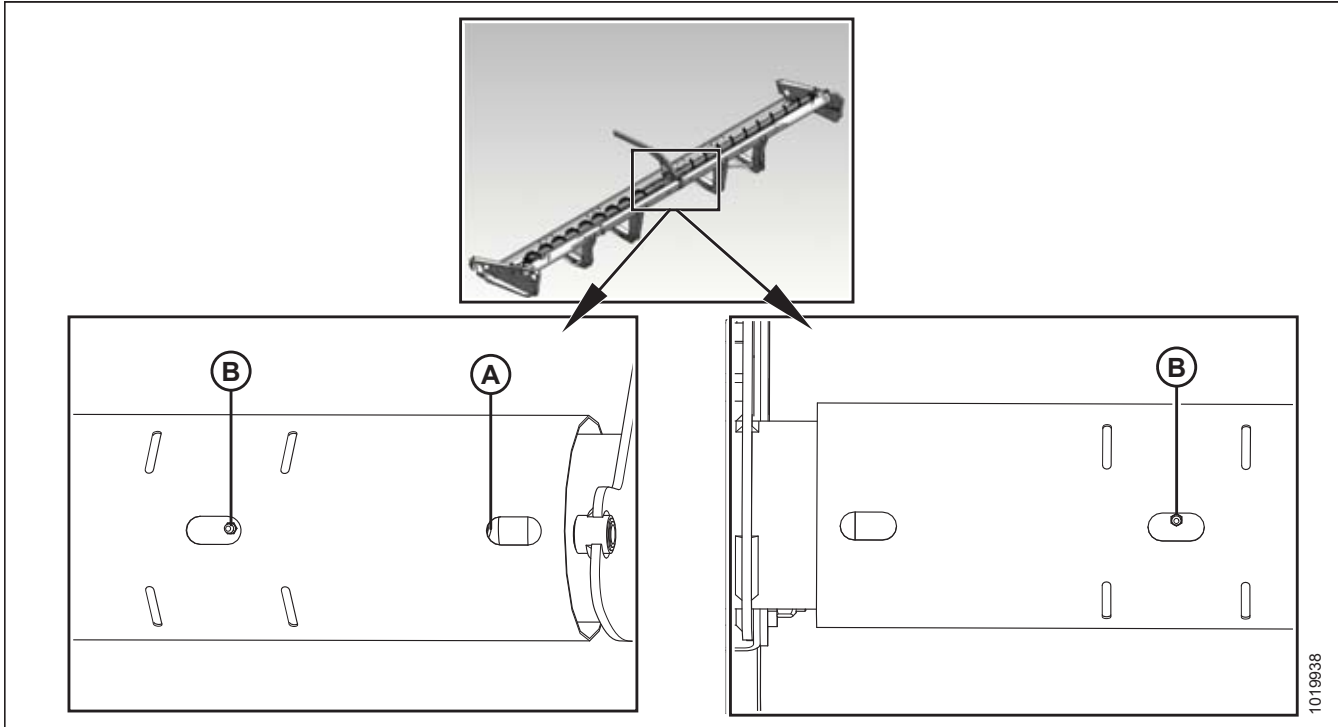
MAINTENANCE AND SERVICING

Every 250 Hours

NOTE:

Use High Temperature Extreme Pressure (EP2) Performance with 1% Max Molybdenum Disulphide (NLGI Grade 2) Lithium Base unless otherwise specified.

Figure 5.10: Every 250 Hours



A - Upper Cross Auger U-Joint⁷⁵

B - Upper Cross Auger Bearing (Two Places)⁷⁶

75. U-joint has an extended lubrication cross and bearing kit. Stop greasing when greasing becomes difficult or if U-joint stops taking grease. Overgreasing will damage U-joint. Six to eight pumps are sufficient at first grease (factory). Decrease grease interval as U-joint wears and requires more than six pumps.

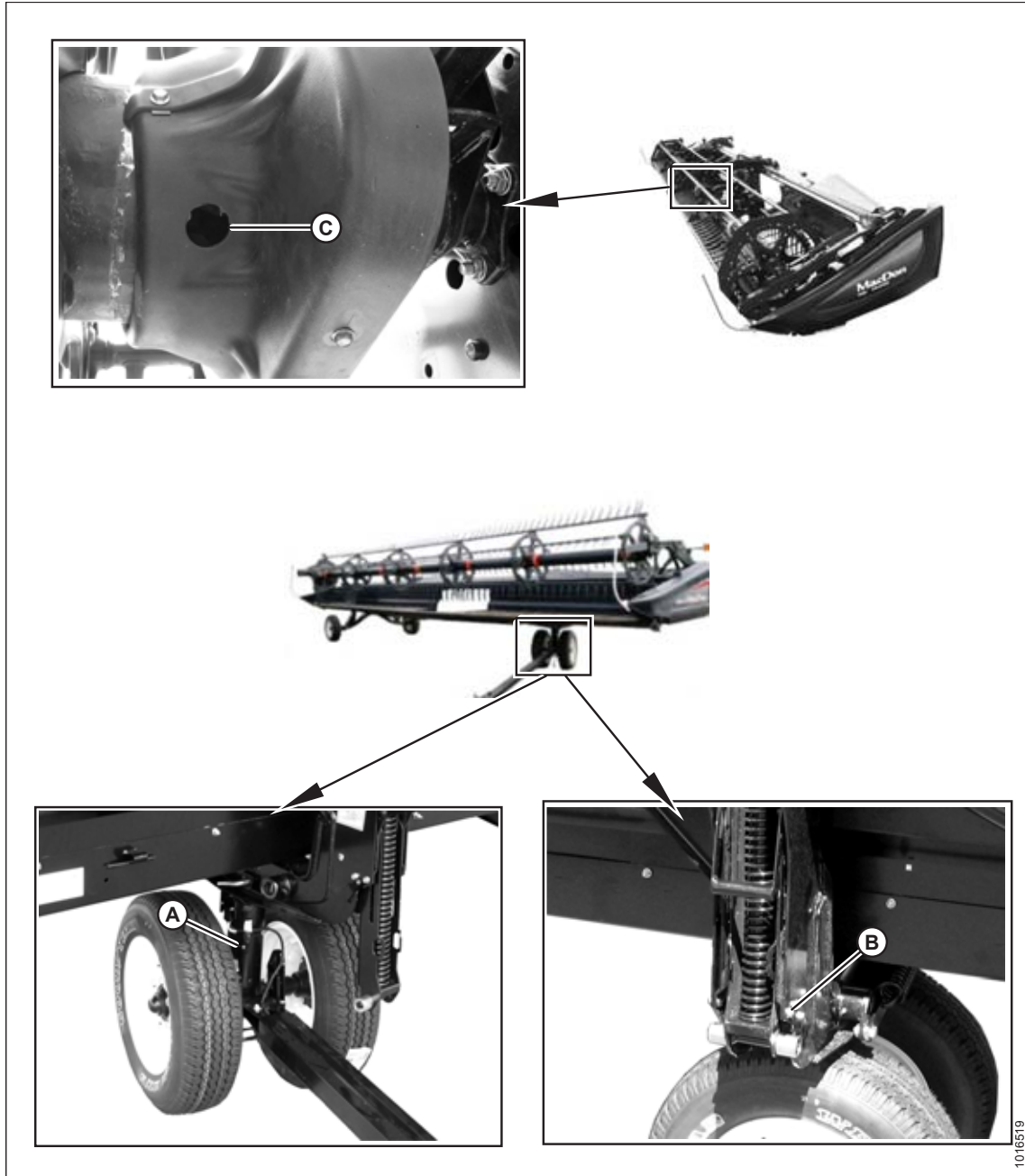
76. Use High Temperature Extreme Pressure (EP2) Performance With 1.5–5.0% Molybdenum Disulphide (NLGI Grade 2) Lithium Base Grease.

MAINTENANCE AND SERVICING

NOTE:

Use High Temperature Extreme Pressure (EP2) Performance with 1% Max Molybdenum Disulphide (NLGI Grade 2) Lithium Base unless otherwise specified.

Figure 5.11: Every 250 Hours



B - Front Wheel Pivot
D - Double Reel U-Joint⁷⁷

C - Frame/Wheel Pivot (Both Sides)

77. U-joint has an extended lubrication cross and bearing kit. Stop greasing when greasing becomes difficult or if U-joint stops taking grease. Overgreasing will damage U-joint. Six to eight pumps are sufficient at first grease (factory). Decrease grease interval as U-joint wears and requires more than six pumps.

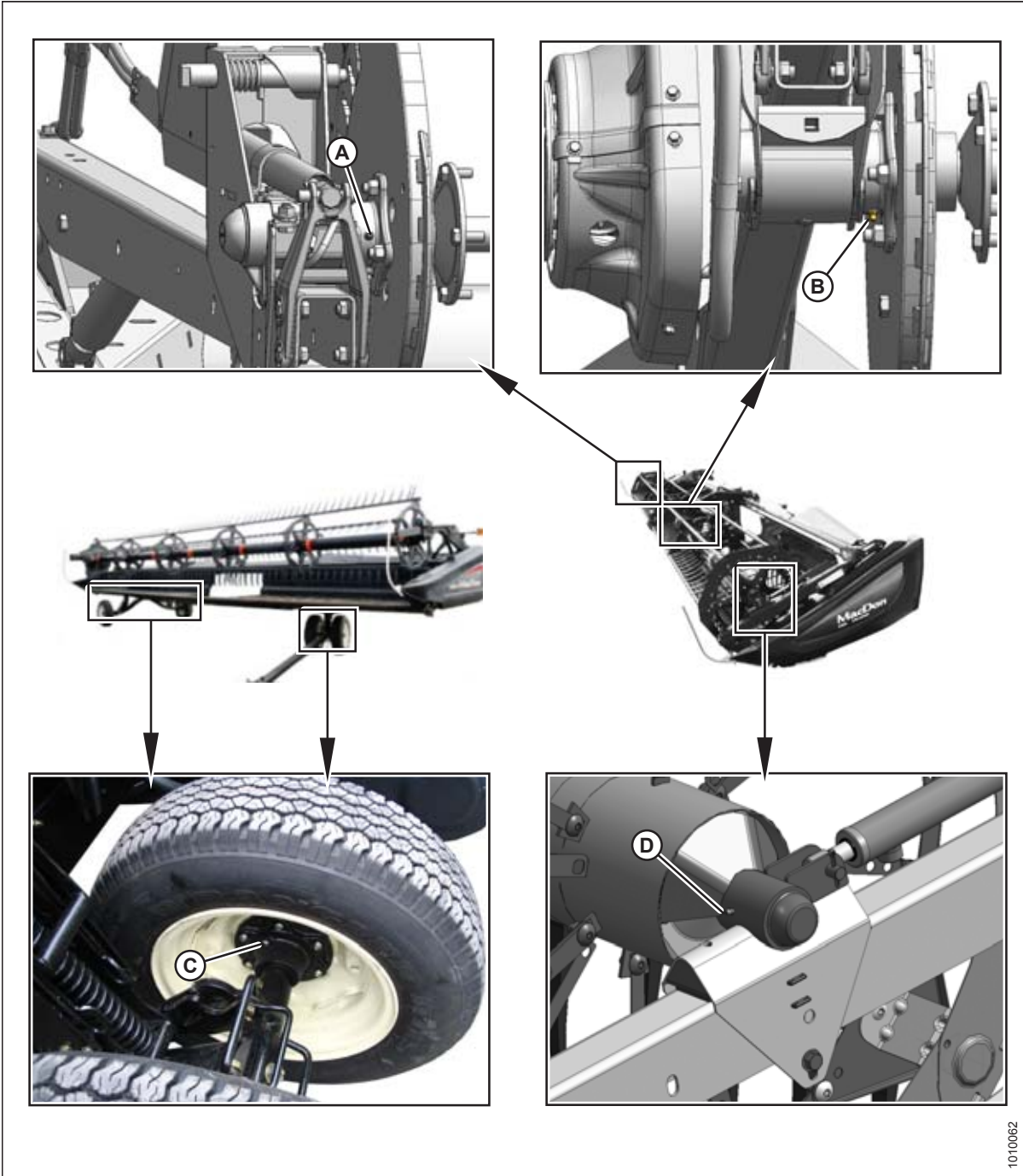
MAINTENANCE AND SERVICING

Every 500 Hours

NOTE:

Use High Temperature Extreme Pressure (EP2) Performance with 1% Max Molybdenum Disulphide (NLGI Grade 2) Lithium Base unless otherwise specified.

Figure 5.12: Every 500 Hours



A - Reel - Right Side Bearing
B - Reel - Center Bearing

C - Wheel Bearings (Four Places)
D - Reel - Left Bearing

5.4 Electrical System

5.4.1 How It Works

The electrical supplies power to solenoids and sensors on the header.

Use electrical tape and wire clips as required to prevent wires from dragging or rubbing.

Keep lights clean and replace defective bulbs.

Electrical wires are identified by a two letter wire location (A), four digit identification number (B), one digit branch wire location (C), one letter for color (D), and two digit wire size (E). The wire identification is printed on each wire covering.

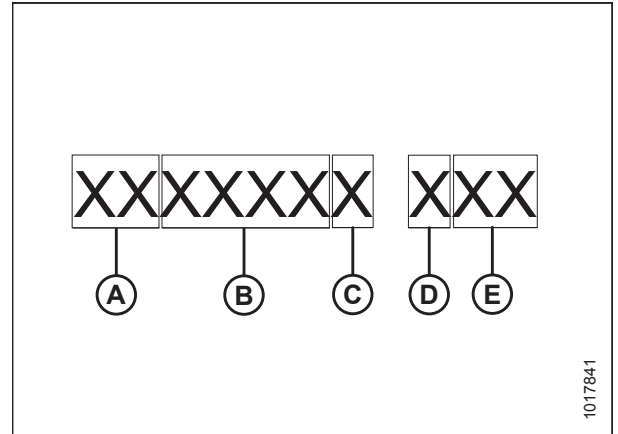


Figure 5.13: Wire Identification

Wire example, CH1234B XXX is located in the chassis harness. The identification number is 1234. The branch wire location is B. This means that there is one splice point before you reach CH1234B.

Table 5.1 D1XL Series Wire Prefix Identification

Wire Prefix	Wire System
HM	D1XL main harness
DS	Header deck shift
HA	Auger/draper adapter
HR	Reel extend
HT	Transport lights
IDA	Header identification (30 ft.)
IDB	Header identification (35 ft.)
IDC	Header identification (40/45 ft.)
XL	Draper speed (left)
XR	Draper speed (right)

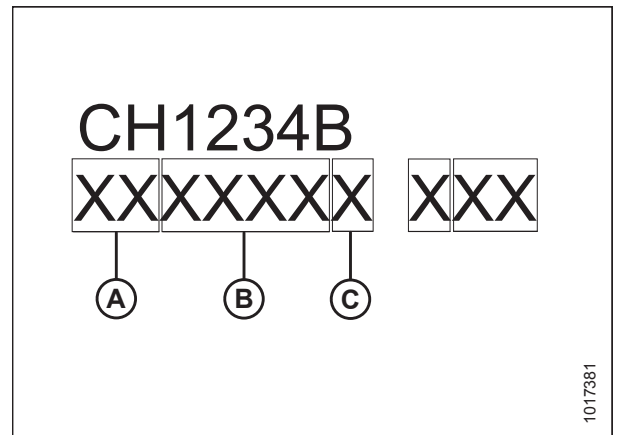


Figure 5.14: Wire Identification

MAINTENANCE AND SERVICING

Table 5.2 D1X Series Wire Prefix Identification

Wire Prefix	Wire System
DS	D1 main harness
DX	D1 reel extension harness
DD	Hydraulic deck shift
HA	Auger/draper adapter

Color codes apply to actual wire colors on the windrower. For the color code legend, refer to Table 5.3, page 128.

Wire example, XXXXXXXX N18. The wire color is brown and the wire gauge is 18.

Table 5.3 Wire Color Identification

ID	Color	Description
B	Black	Black
N	Brown	Brown
DN	Brown	Dark brown
LN	Brown	Light brown
U	Blue	Blue
DU	Blue	Dark blue
LU	Blue	Light blue
G	Green	Green
DG	Green	Dark green
LG	Light green	Light green
P	Purple	Purple
R	Red	Red
W	White	White
Y	Yellow	Yellow
O	Orange	Orange
S	Slate	Slate (gray)
K	Pink	Pink
V	Violet	Violet

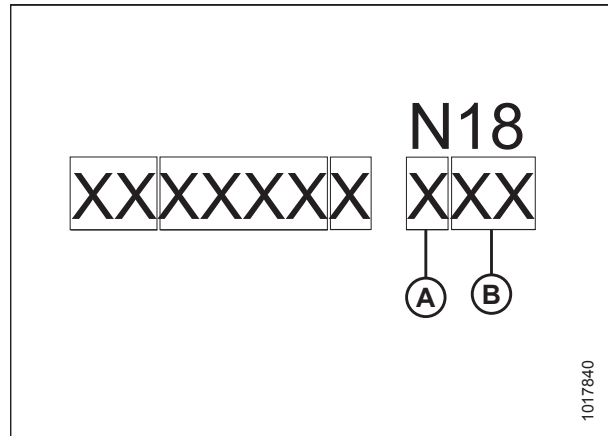


Figure 5.15: Wire Identification

5.4.2 Replacing Light Bulbs

WARNING

To avoid bodily injury or death from unexpected startup of machine, always stop engine and remove key before making adjustments to machine.

1. Use a Phillips screwdriver to remove the screws (A) from the fixture, and remove the plastic lens. Retain screws (A).
2. Replace the bulb, and reinstall the plastic lens and screws.

NOTE:

Use bulb trade #1156 for amber transport lights and #1157 for red tail light (Slow Speed Transport option).

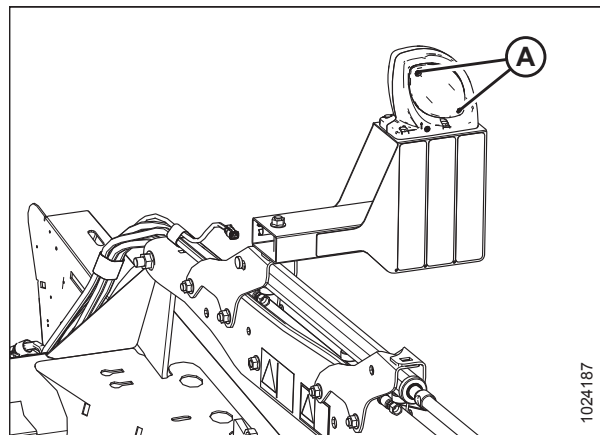


Figure 5.16: Left Transport Light

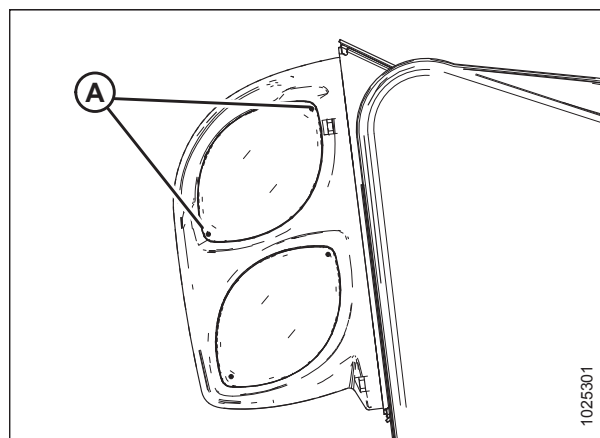


Figure 5.17: Optional Slow Speed Transport (Red and Amber Lights)

5.4.3 Checking and Adjusting Reel Height Sensor

The output voltage range of the auto reel height sensor can be checked from inside the windrower or manually at the sensor. For in-cab instructions, refer to the windrower operator’s manual. To check the voltage range manually, refer to the following procedure.

⚠ DANGER

To avoid bodily injury or death from unexpected start-up of machine, always stop engine and remove key from ignition before leaving operator’s seat for any reason.

⚠ CAUTION

Check to be sure all bystanders have cleared the area.

IMPORTANT:

Ensure minimum reel height is properly set before adjusting reel height sensor. For instructions, refer to [5.8.1 Reel Clearance to Cutterbar, page 196](#).

IMPORTANT:

To measure the output voltage of the reel height sensor, the windrower engine needs to be running and supplying power to the sensor. Always engage the windrower parking brake and stay away from the reel.

Table 5.4 Reel Height Sensor Voltage Limits

Power Unit	Voltage Range	
	X Voltage	Y Voltage
M1 Series Windrower	0.5–0.9 V	4.1–4.5 V

1. Engage the windrower parking brake.
2. Start the engine and fully lower the reel.
3. Use the windrower display or a voltmeter (if measuring the sensor manually) to measure voltage range Y. Refer to [Table 5.4, page 130](#) for range requirements.
4. If using a voltmeter, measure the voltage between the ground (Pin 2 wire) and the signal (Pin 3 wire) at the reel height sensor (B).
5. Stop the engine and remove key.
6. Adjust length of threaded rod (A) to modify voltage range Y.
7. Repeat checking and adjusting until voltage range Y is within the range specified.

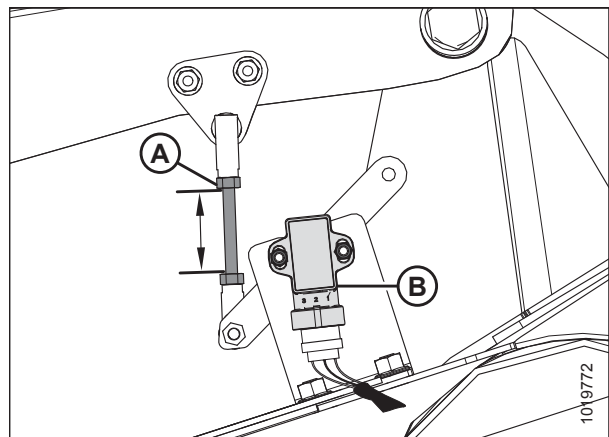


Figure 5.18: Reel Height Sensor – Right Reel Arm (Reel Down)

MAINTENANCE AND SERVICING

8. Start the engine, and fully raise the reel.
9. Use the windrower display or a voltmeter (if measuring the sensor manually), to measure voltage range **X**. Refer to Table 5.4, page 130 for range requirements.
10. If using a voltmeter, measure the voltage between the ground (Pin 2 wire) and the signal (Pin 3 wire) at the reel height sensor (A).
11. Stop the engine and remove the key.
12. Loosen two M5 hex nuts (B) and rotate sensor (A) to achieve voltage range **X**.
13. Repeat checking and adjusting until voltage range **X** is within the range specified.
14. Start the engine and fully lower the reel.
15. Recheck voltage range **Y** and ensure it is still within the range specified. Adjust if required.

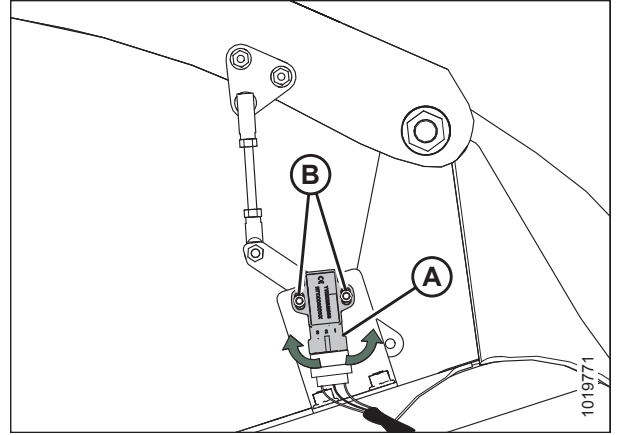


Figure 5.19: Reel Height Sensor – Right Reel Arm (Reel Up)

5.5 Cutterbar

WARNING

Keep hands clear of the area between guards and knife at all times.

CAUTION

To avoid personal injury, before servicing machine or opening drive covers, refer to [5.1 Preparing Machine for Servicing, page 113](#).

CAUTION

Wear heavy gloves when working around or handling knives.



Figure 5.20: Cutterbar Hazard

5.5.1 Replacing Knife Section

Inspect the knife sections daily and ensure they are firmly bolted to the knife back and are not worn or damaged (worn and damaged sections leave behind uncut plants). Worn or damaged sections can be replaced without removing the knife from the cutterbar.

WARNING

To avoid bodily injury or death from unexpected startup of machine, always stop engine and remove key before making adjustments to machine.

1. Shut down the engine, and remove the key from the ignition.
 2. Stroke the knife as required to center the knife section (A) between the guards (E).
 3. Remove and retain nuts (B).
 4. Remove bars (C) and lift the knife section (A) off the knife bar.
 5. Remove the splice bar (D) if knife section is under the bar.
 6. Clean dirt off the knife back, and position the new knife section onto the knife back.
 7. Reposition bars (C) and/or splice bars (D) and install nuts (B).
- NOTE:**
If replacing screws, ensure they are fully inserted. Do **NOT** use nuts to draw screws into the knife bar.
8. Torque nuts to 9.5 Nm (7 lbf-ft).

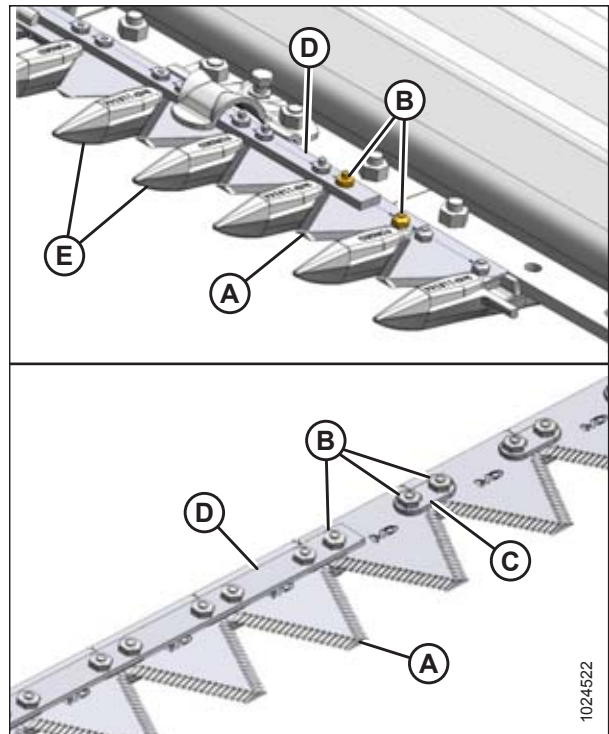


Figure 5.21: Cutterbar

5.5.2 Removing Knife

WARNING

To avoid bodily injury or death from unexpected startup of machine, always stop engine and remove key before making adjustments to machine.

WARNING

Stand to rear of knife during removal to reduce risk of injury from cutting edges. Wear heavy gloves when handling knife.

1. Shut down the engine, and remove the key from the ignition.
2. Manually stroke the knife to its outer limit.
3. Clean the area around the knifehead.
4. Remove the grease fitting (B) from the pin.
5. Remove bolt (A) and nut.
6. Use a screwdriver or chisel in slot (C) to release the load on the knifehead pin.
7. Use a screwdriver or chisel to pry the pin upwards in the pin groove until the pin is clear of the knifehead.
8. Push the knife assembly inboard until it is clear of the output arm.
9. Seal the knifehead bearing with plastic or tape unless it is being replaced.
10. Wrap a chain around the knifehead and pull out the knife.

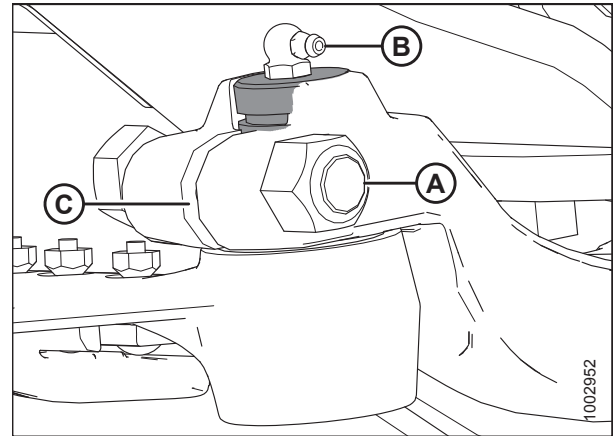


Figure 5.22: Knifehead

5.5.3 Removing Knifehead Bearing

WARNING

To avoid bodily injury or death from unexpected startup of machine, always stop engine and remove key before making adjustments to machine.

WARNING

Stand to rear of knife during removal to reduce risk of injury from cutting edges. Wear heavy gloves when handling knife.

IMPORTANT:

Repeat this procedure for each knife.

1. Shut down the engine, and remove the key from the ignition.
2. Remove the knife. Refer to [5.5.2 Removing Knife, page 133](#).

NOTE:

Because the bearing is being replaced, it is not necessary to wrap the knifehead to protect the bearing.

MAINTENANCE AND SERVICING

- Use a flat-ended tool with the same approximate diameter as the pin (A). Tap the seal (B), bearing (C), plug (D), and O-ring (E) from the underside of the knifehead.

NOTE:

Seal (B) can be replaced without removing the bearing. When changing the seal, check the pin and needle bearing for wear and replace if necessary.

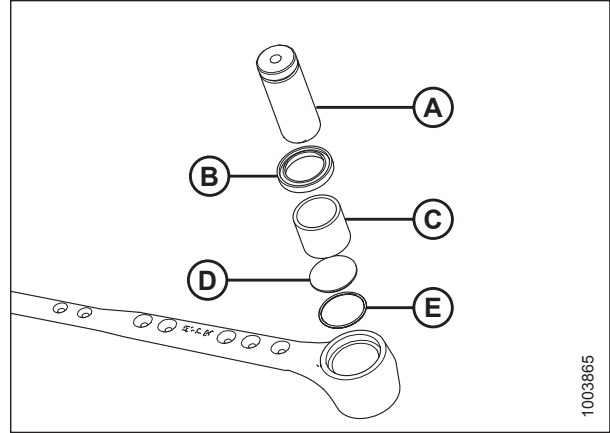


Figure 5.23: Knifehead Bearing Assembly

5.5.4 Installing Knifehead Bearing

- Place O-ring (E) and plug (D) into knifehead.

IMPORTANT:

Install the bearing with the stamped end (the end with the identification markings) facing up.

- Use a flat-ended tool (A) with the same approximate diameter as the bearing (C), and push the bearing into the knifehead until the top of the bearing is flush with the step in the knifehead.
- Install seal (B) into knifehead with the lip facing outwards.

IMPORTANT:

To prevent premature knifehead or knife drive box failure, ensure there's a tight fit between the knifehead pin and the needle bearing, and also between the knifehead pin and the output arm.

- Install the knife. Refer to [5.5.5 Installing Knife, page 135](#).

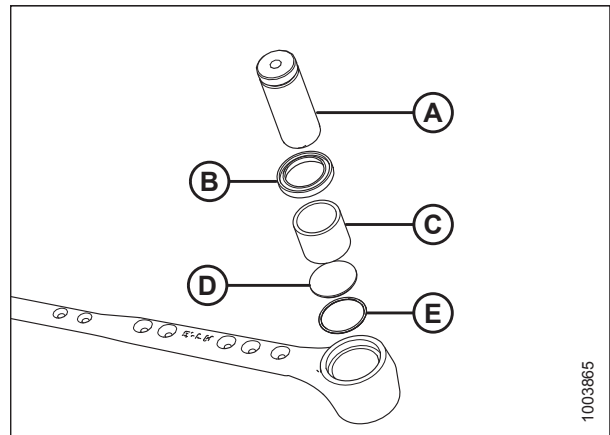


Figure 5.24: Knifehead Bearing Assembly

5.5.5 Installing Knife

WARNING

Stand to rear of knife during installation to reduce risk of injury from cutting edges. Wear heavy gloves when handling knife.

1. Slide the knife into place and align the knifehead with the output arm.

NOTE:

Remove the grease fitting from the knifehead pin for easier installation of knifehead pin.

2. Install the knifehead pin (A) through the output arm (C) and into the knifehead.
3. Set the groove (B) in the knifehead pin 1.5 mm (1/16 in.) above the output arm (C). Secure with 5/8 x 3 in. hex head bolt and nut (D), and torque to 217 Nm (160 lbf-ft).

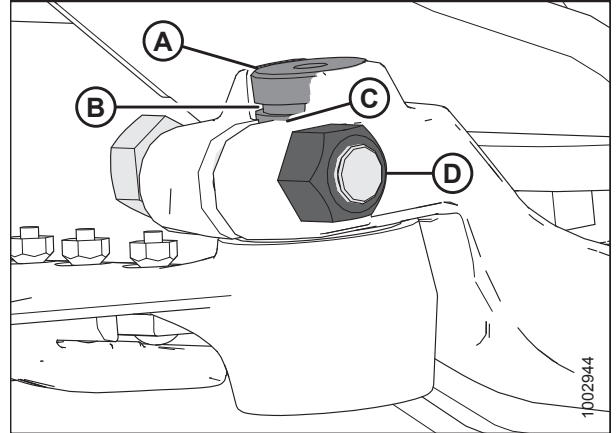


Figure 5.25: Knifehead

4. Install the grease fitting (A) into the knifehead pin, and turn the grease fitting for easy access.

IMPORTANT:

Slowly apply grease to the knifehead until slight downward movement of the knifehead is observed. Do **NOT** overgrease the knifehead. Overgreasing leads to knife misalignment causing excessive heating of guards and overloading of drive systems. If overgreasing occurs, remove the grease fitting to release pressure.

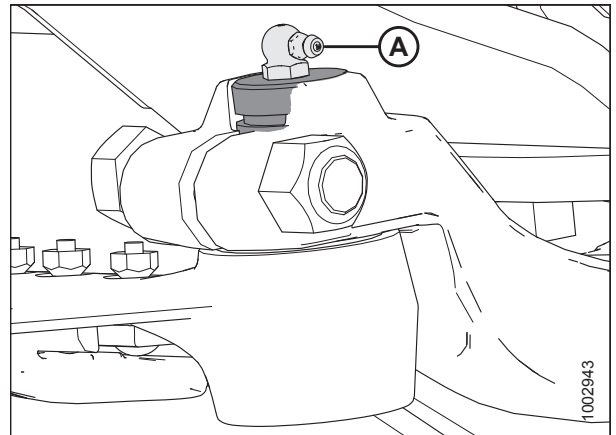


Figure 5.26: Knifehead

5.5.6 Spare Knife

A spare knife can be stored in the header frame tube (A) at the left end. Ensure the spare knife is secured in place.

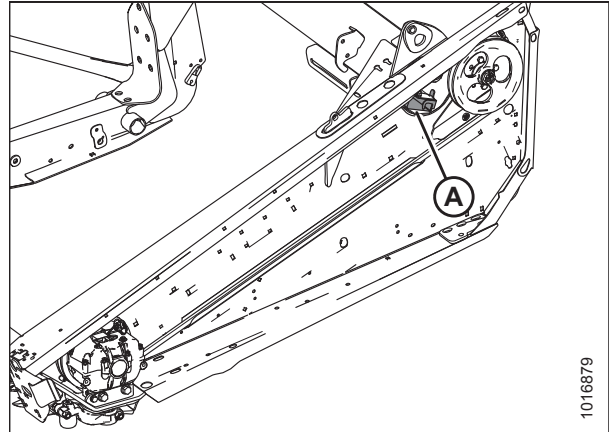


Figure 5.27: Spare Knife

5.5.7 Knife Guards

Perform **DAILY** inspections to ensure the knife guards are aligned and the knife sections are contacting the shear surfaces of the knife guards.

Adjusting Knife Guards

! WARNING

To avoid bodily injury or death from unexpected startup of machine, always stop engine and remove key before making adjustments to machine.

NOTE:

Use guard straightening tool (MD #140135) available from your MacDon Dealer.

1. Position the tool (A) as shown, and pull up to adjust the guard tips upwards.



Figure 5.28: Upward Adjustment

MAINTENANCE AND SERVICING

2. Position the tool (A) as shown, and push down to adjust the guard tips downwards.

NOTE:

If material is tough to cut, install stub guards with top guard and adjuster plate. A kit is available from your MacDon Dealer. Refer to [6.2.1 Stub Guard Conversion Kit](#), page 245.

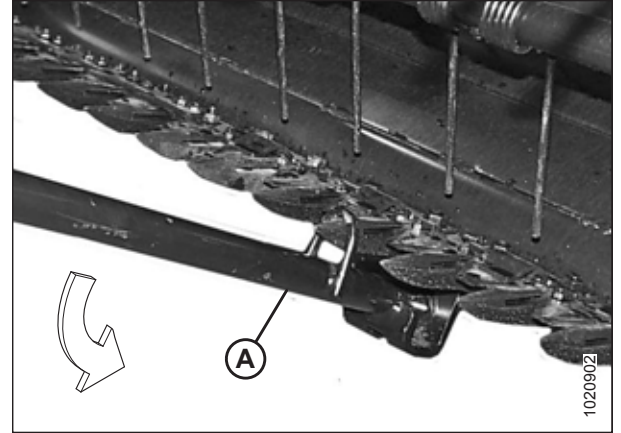


Figure 5.29: Downward Adjustment

Replacing Pointed Guards

⚠ WARNING

To avoid bodily injury or death from unexpected startup of machine, always stop engine and remove key before making adjustments to machine.

Replacing standard and drive side guards

1. Shut down the windrower, and remove the key from the ignition.
2. Stroke the knife manually until the knife sections are spaced midway between the guards.
3. Remove two nuts (B) and bolts attaching the guard (A) and hold-down (C) (if applicable) to the cutterbar.
4. Remove the guard (A), hold-down (C), and plastic wearplate (if installed).

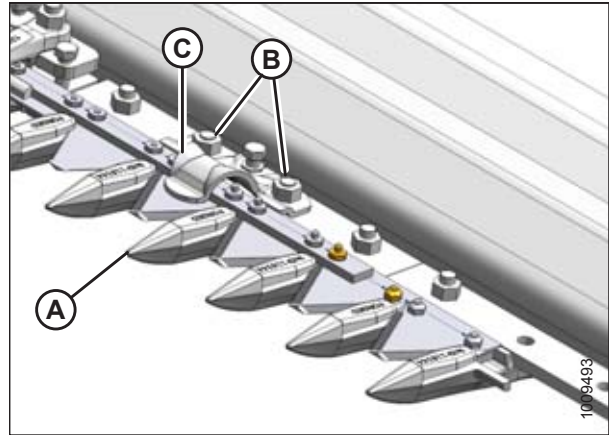


Figure 5.30: Pointed Guards

IMPORTANT:

The first four outboard guards (B) on the drive sides of the header do not have ledger plates. Ensure proper replacement guards are installed at these locations.

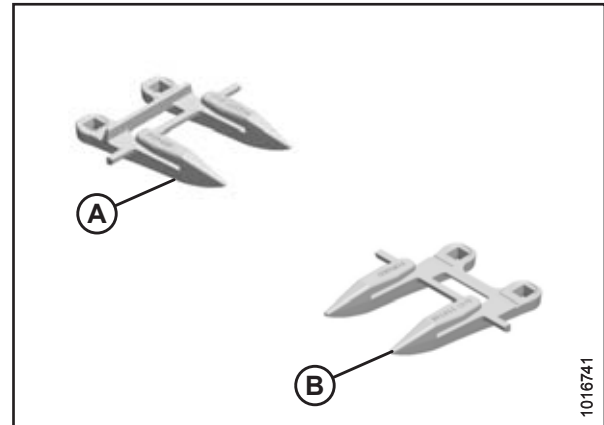


Figure 5.31: Pointed Guards

A - Standard B - Drive Side

MAINTENANCE AND SERVICING

5. Position the new guard (A), hold-down (C), and plastic wearplate (if applicable) onto the cutterbar. Secure with two nuts (B) and bolts, but do **NOT** tighten.
6. Check and adjust the clearance between the hold-downs and the knife. Refer to [Checking Knife Hold-Downs, page 142](#) [Checking Knife Hold-Downs, page 142](#).

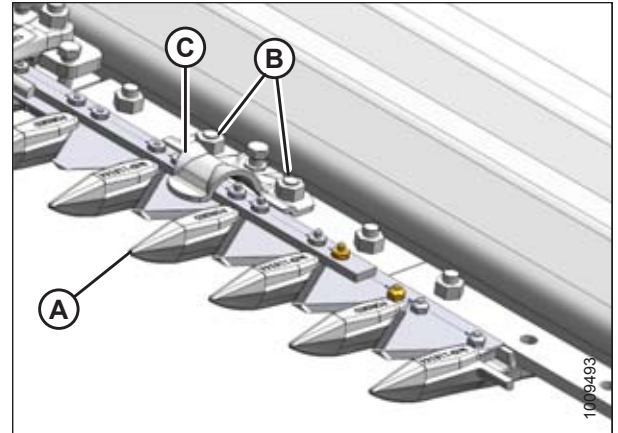


Figure 5.32: Pointed Guards

MAINTENANCE AND SERVICING

Replacing center guard

NOTE:

The guard at the center of a double-knife header (where the two knives overlap) requires a slightly different replacement procedure.

1. Shut down the windrower, and remove the key from the ignition.
2. Remove the two nuts (B) and bolts attaching the guard (A) and top guide (C) to the cutterbar.
3. Remove the guard (A), plastic wearplate (if installed), top guide (C), and adjuster bar (D).

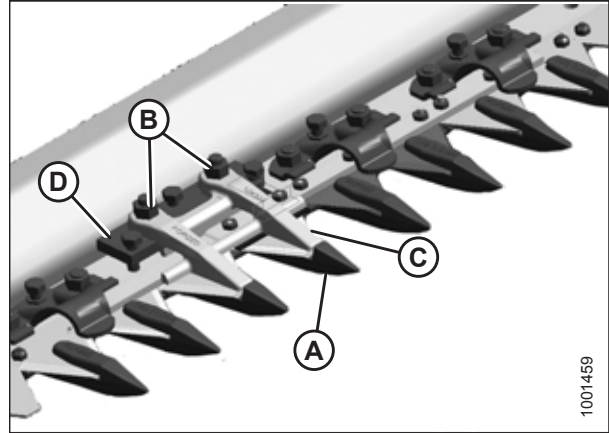


Figure 5.33: Center Guards

4. Position the plastic wearplate (if applicable), replacement center guard (A), adjuster bar, and top guide (B) onto the cutterbar. Install bolts, but do **NOT** tighten.

IMPORTANT:

Ensure the center guard (A) (right of the cutterbar split) has offset cutting surfaces.

NOTE:

The top guide (B) must accommodate the two overlapping knives at the center guard location. Ensure the proper replacement guard is installed at this location.

5. Check and adjust the clearance between the hold-down and knife. Refer to [Checking Knife Hold-Downs, page 142](#).

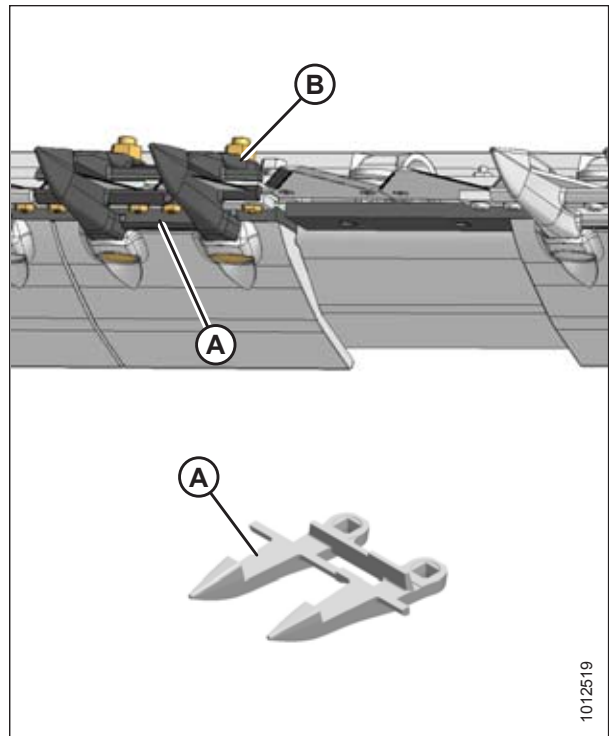


Figure 5.34: Center Guards

Replacing Stub Guards

Stub guards, complete with top guides and adjuster plates, are designed to cut tough crops and are factory-installed at the outer ends of specific headers

⚠ WARNING

To avoid bodily injury or death from unexpected startup of machine, always stop engine and remove key before making adjustments to machine.

Replacing standard, drive side, and end guard

1. Shut down the engine, and remove the key from the ignition.
2. Stroke the knife manually until the knife sections are spaced midway between the guards.
3. Remove the two nuts (A) and bolts attaching the guard (B) and top guide (C) to the cutterbar.
4. Remove the guard (B), plastic wear plate (if installed), top guide (C), and adjuster bar (D).

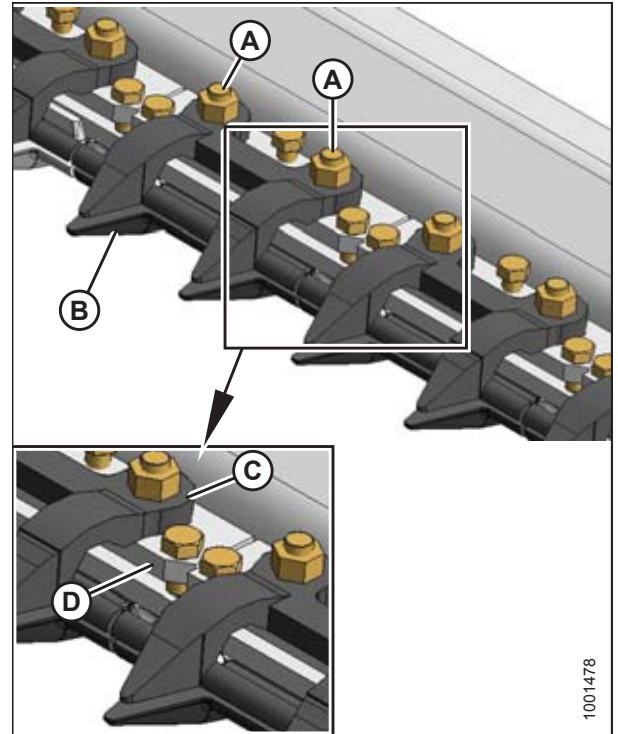


Figure 5.35: Stub Guards

IMPORTANT:

The first four outboard guards (B) on the drive sides of the header do not have ledger plates. Ensure the proper replacement guards are installed at these locations.

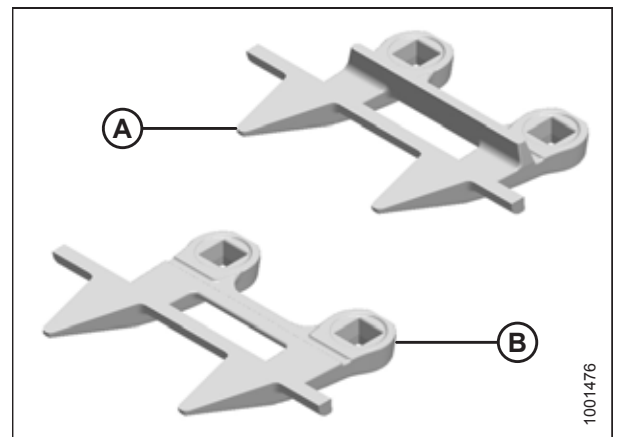


Figure 5.36: Stub Guards

A - Standard Guard

B - Drive Side Guard

MAINTENANCE AND SERVICING

5. Position the plastic wearplate (if applicable), replacement guard (B), adjuster bar (D), top guide (C), and install bolts and nuts (A). Do **NOT** tighten.
6. Check and adjust the clearance between the hold-downs and the knife. Refer to [Checking Knife Hold-Downs, page 142](#) [Checking Knife Hold-Downs, page 142](#).

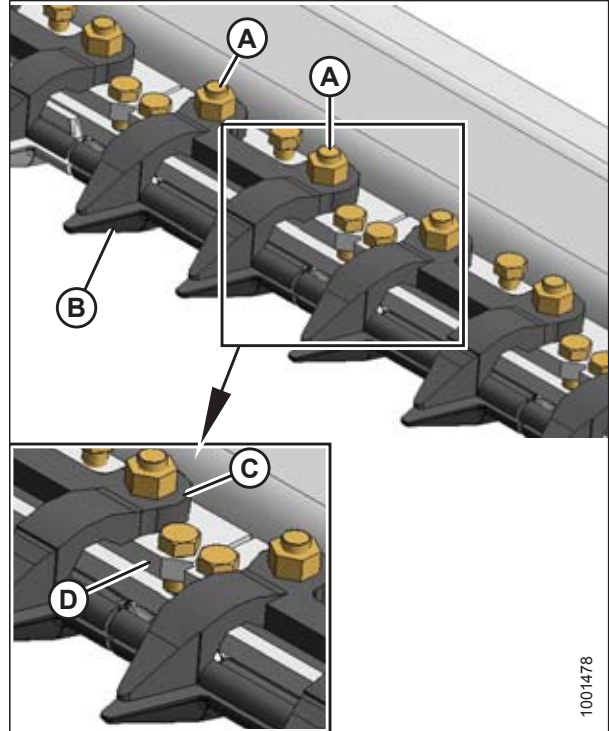


Figure 5.37: Stub Guards

Checking Knife Hold-Downs

Perform daily inspections to ensure the knife hold-downs are preventing the knife sections from lifting off the guards while permitting the knife to slide without binding. Use a feeler gauge to measure the clearance between the hold-downs and knife sections, and refer to the following for adjustment procedures:

- [Adjusting Hold-Downs with Pointed Guards, page 143](#)
- [Adjusting Hold-Downs with Stub Guards, page 144](#)

NOTE:

Align guards prior to adjusting the hold-downs. Refer to [Adjusting Knife Guards, page 136](#).

Adjusting Hold-Downs with Pointed Guards

⚠ WARNING

To avoid bodily injury or death from unexpected startup of machine, always stop engine and remove key before making adjustments to machine.

1. Shut down the engine, and remove the key from the ignition.
2. Use a feeler gauge to measure the clearance between the standard guard hold-down (A) and the knife section. Ensure the clearance is 0.1–0.6 mm (0.004–0.024 in.).
3. To lower the front of the hold-down and decrease clearance, turn bolt (B) clockwise; to raise the front of the hold-down and increase clearance, turn bolt (B) counterclockwise.

NOTE:

For larger adjustments, it may be necessary to loosen nuts (C), turn adjuster bolt (B), and then retighten nuts.

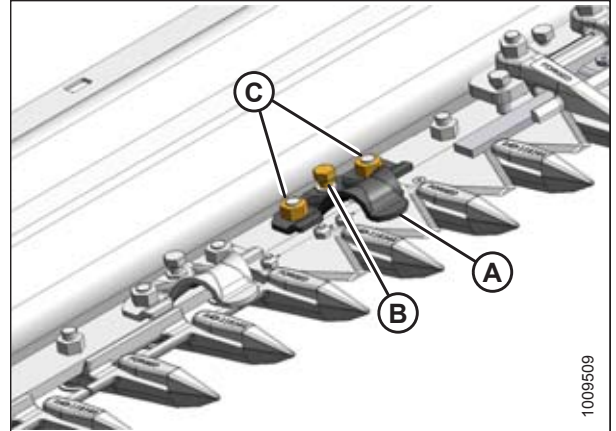


Figure 5.38: Standard Guard Hold-Down

4. Use a feeler gauge to measure the clearance between the center guard hold-down (A) and the knife section. Ensure the clearance is between the following measurements:
 - **At guide tip (B):** 0.1–0.4 mm (0.004–0.016 in.)
 - **At rear of guide (C):** 0.1–1.0 mm (0.004–0.040 in.)
5. Adjust the clearance as follows:
 - a. Tighten nuts (D) until finger tight.
 - b. Turn the three adjuster bolts (E) clockwise to raise the front of the hold-down and increase clearance, or counterclockwise to lower the front of the hold-down and decrease clearance.
 - c. Torque the nuts (D) to 88 Nm (65 lbf-ft) after all the adjustments are complete and the specified clearances are achieved.

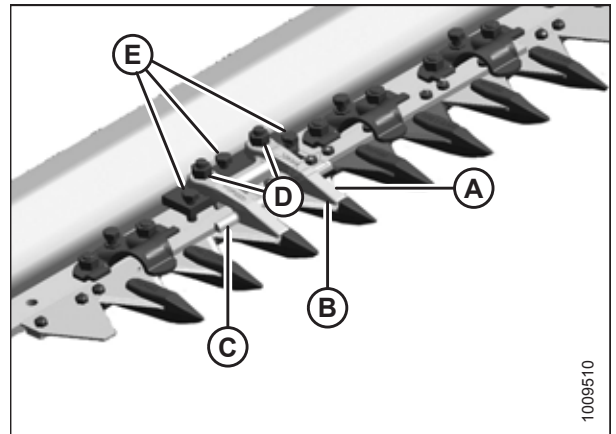


Figure 5.39: Center Guard Hold-Down

⚠ WARNING

Check to be sure all bystanders have cleared the area.

6. Complete the hold-down adjustments, run the header at low engine speed, and listen for noise caused by insufficient clearance.

NOTE:

Insufficient hold-down clearance will result in overheating of the knife and guards—readjust as necessary.

Adjusting Hold-Downs with Stub Guards

⚠ WARNING

To avoid bodily injury or death from unexpected startup of machine, always stop engine and remove key before making adjustments to machine.

1. Shut down the engine, and remove the key from the ignition.
2. Use a feeler gauge to measure the clearance between the stub guard hold-down (A) and the knife section. Ensure the clearance is between the following measurements:
 - **At guide tip (B):** 0.1–0.4 mm (0.004–0.016 in.)
 - **At rear of guide (C):** 0.1–1.0 mm (0.004–0.040 in.)
3. Adjust the clearance as follows:
 - a. Tighten nuts (D) until they are finger tight.
 - b. To lower the front of the hold-down and decrease clearance, turn the three adjuster bolts (E) clockwise; to raise the front of the hold-down and increase clearance, turn the adjuster bolts (E) counterclockwise.
 - c. Torque the nuts (D) to 72 Nm (53 lbf·ft) after all the adjustments are complete and the specified clearances are achieved.

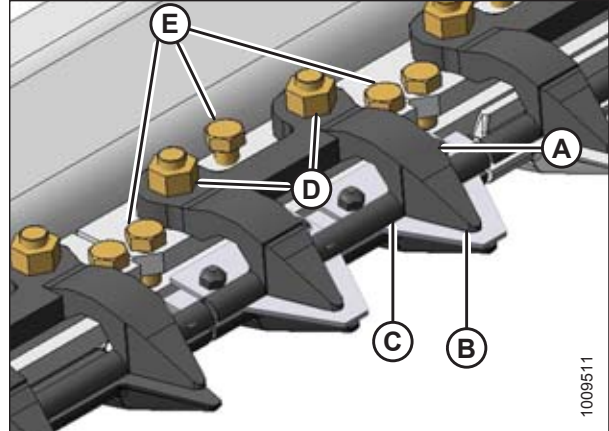


Figure 5.40: Stub Guards

⚠ WARNING

Check to be sure all bystanders have cleared the area.

4. Complete the hold-down adjustments, run the header at low engine speed, and listen for noise caused by insufficient clearance.

NOTE:

Insufficient hold-down clearance will result in overheating of the knife and guards—readjust as necessary.

5.5.8 Knifehead Shield

The knifehead shield attaches to the endsheet and reduces the knifehead opening to prevent cut crop from accumulating in the knifehead cut-out.

The shields and mounting hardware are available from your MacDon Dealer.

IMPORTANT:

Remove the shields when cutting with the cutterbar on the ground in muddy conditions. Mud may pack into the cavity behind the shield which could result in knife drive box failure.

Installing Knifehead Shield

The knifehead shield is supplied in flattened form, but it can be bent to suit installation on pointed or stub guard cutterbars. Knifehead shields differ slightly depending on header size and guard configuration, so ensure you are using the proper knifehead shield for your header. Refer to your parts catalog for proper replacement parts.

DANGER

To avoid bodily injury or death from unexpected start-up or fall of raised machine, always stop engine, remove key, and engage safety props before going under header for any reason.

CAUTION

Wear heavy gloves when working around or handling knives.

1. Raise the reel to its full height, lower the header to the ground.
2. Shut down the engine, and remove the key from the ignition.
3. Engage the reel arm locks.
4. Place the knifehead shield (A) against the endsheet as shown. Align the shield so the cutout matches the profile of the knifehead and/or hold-downs.
5. Bend the knifehead shield (A) along the slit to conform to the endsheet.
6. Align the mounting holes and secure with two 3/8 x 1/2 in. Torx® head bolts (B).
7. Tighten the bolts (B) just enough to hold the knifehead shield (A) in place while allowing it to be adjusted as close to the knifehead as possible.
8. Rotate the knife drive box pulley manually to move the knife and check for areas of contact between the knifehead and knifehead shield (A). Adjust the shield to eliminate interference with the knife if necessary.
9. Tighten the bolts (B).

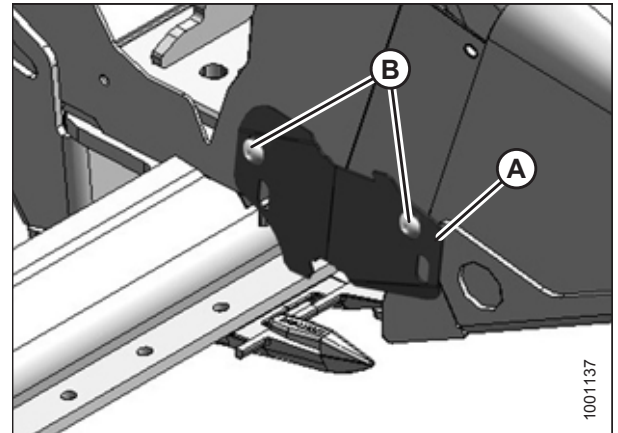


Figure 5.41: Knifehead Shield

5.6 Knife Drive System

5.6.1 Knife Drive Box

CAUTION

To avoid personal injury, before servicing machine or opening drive covers, refer to [5.1 Preparing Machine for Servicing, page 113](#).

Double-knife headers have a knife drive box at each end. Knife drive boxes are belt driven by a hydraulic motor, and convert rotational motion into the reciprocating motion of the knife.

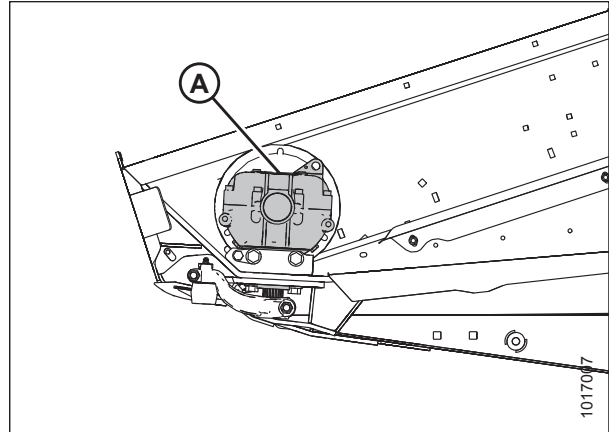


Figure 5.42: Left Side Knife Drive Box Shown – Right Side Similar

Checking Mounting Bolts

Check the torque on the four knife drive box mounting bolts (A) and (B) after the first 10 hours operation and every 100 hours thereafter.

1. Torque the side bolts (A) first, then torque the bottom bolts (B). Torque all bolts to 271 Nm (200 lbf·ft).

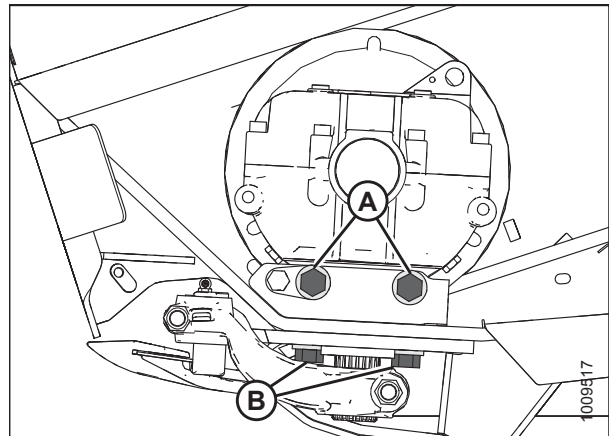


Figure 5.43: Knife Drive Box

Removing Knife Drive Box

⚠ WARNING

To avoid bodily injury or death from unexpected startup of machine, always stop engine and remove key before making adjustments to machine.

For timed double-knife headers:

NOTE:

The procedure is the same for both ends of a timed double-knife header. Images shown are for the left end—the right end is opposite.

1. Shut down the windrower, and remove the key from the ignition.
2. Open the endshield. Refer to [Opening Endshields, page 35](#).
3. Loosen the two nuts (A) enough to allow the idler pulleys (B) to pivot.

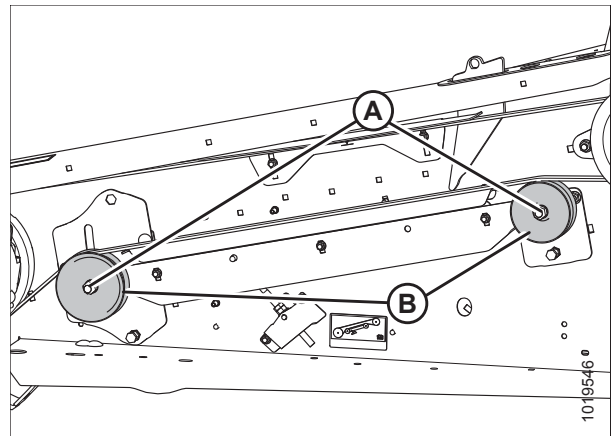


Figure 5.44: Timed Double-Knife Drive

4. Loosen the jam nut (C).
5. Turn flange nut (A) counterclockwise on adjuster bolt (B) to relieve knife drive belt tension.
6. Proceed to Step 5, [page 148](#).

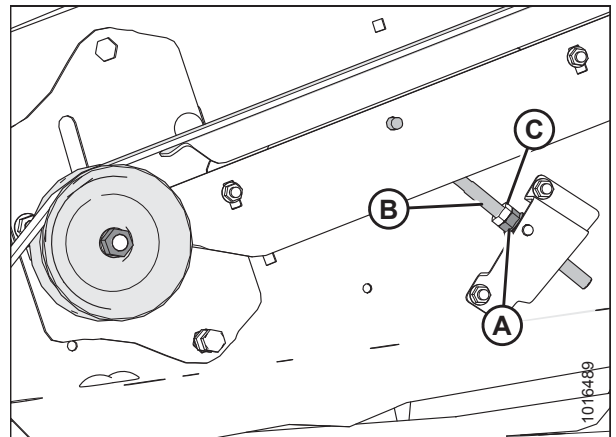


Figure 5.45: Timed Double-Knife Drive

MAINTENANCE AND SERVICING

For untimed double-knife headers:

1. Shut down the windrower, and remove the key from the ignition.
2. Open the endshield. Refer to *Opening Endshields*, page 35.
3. Loosen the two bolts (A) securing the motor assembly to the header endsheet.
4. Loosen the belt tension by turning the tensioning bolt (B) counterclockwise.

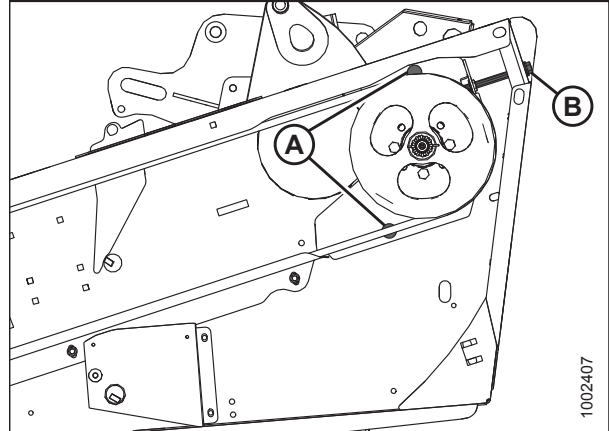


Figure 5.46: Untimed Double-Knife Drive

5. To provide clearance between the knife drive box pulley and the endsheet, open the access cover (A) on the endsheet behind the cutterbar.

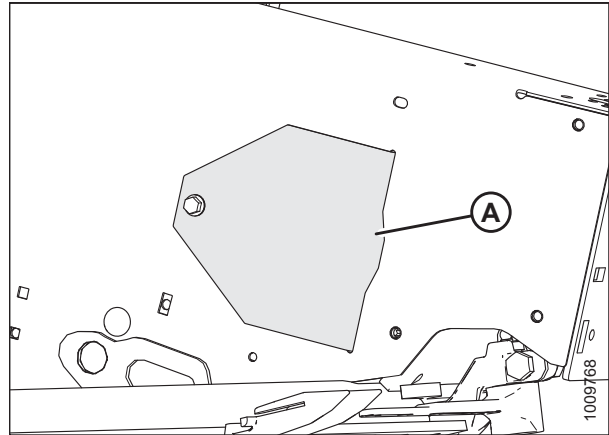


Figure 5.47: Access Cover

6. Remove the belt (A) from the drive pulley (B).
7. Slip the belt (A) over and behind the knife drive box pulley (C). Use the notch in the pulley to assist with belt removal.

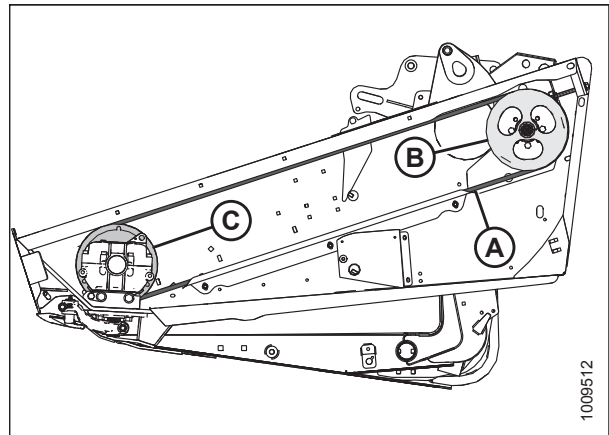


Figure 5.48: Knife Drive

MAINTENANCE AND SERVICING

8. Manually stroke the knife to its outer limit.
9. Clean the area around the knifehead.
10. Remove the grease fitting (B) from the pin.
11. Remove bolt (A) and nut.
12. Use a screwdriver or chisel in slot (C) to release the load on the knifehead pin.
13. Use a screwdriver or chisel to pry the pin upwards in the pin groove until the pin is clear of the knifehead.
14. Push the knife assembly inboard until it is clear of the output arm.
15. Seal the knifehead bearing with plastic or tape unless it is being replaced.
16. Remove the bolt (A) that clamps the knife drive arm (B) to the knife drive box output shaft.
17. Remove the knife drive arm (B) from the knife drive box output shaft.
18. Remove the four knife drive box mounting bolts (C) and (D).

NOTE:

Do **NOT** remove bolt (E); it is factory-set to properly position the knife drive box in the correct fore-aft position.

CAUTION

Knife drive box with pulley weighs over 35 kg (65 lb.) Use care when removing or installing. Lug (L) can be used for lifting.

19. Repeat procedure for the opposite end of the header.

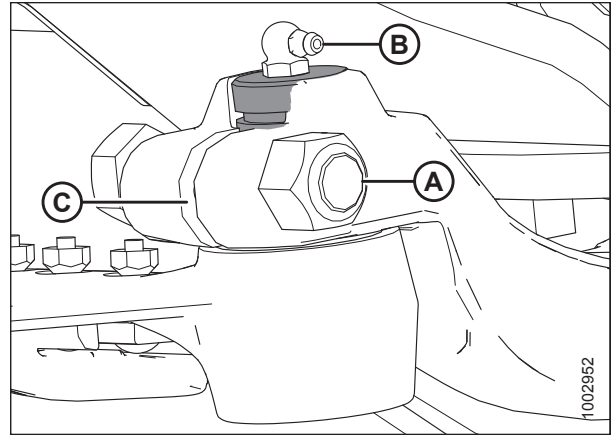


Figure 5.49: Knifehead

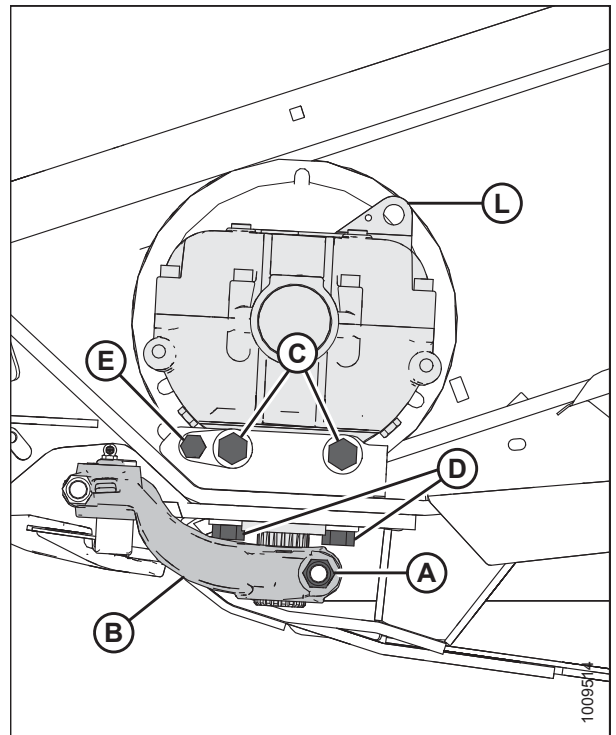


Figure 5.50: Knife Drive Box

MAINTENANCE AND SERVICING

Removing Knife Drive Box Pulley

Before removing the knife drive box pulley, remove the knife drive box from the header. Refer to [Removing Knife Drive Box, page 147](#).

1. Loosen and remove the knife drive box pulley clamping bolt (A) and nut (B).
2. Remove the knife drive box pulley (C) using a three-jaw puller.

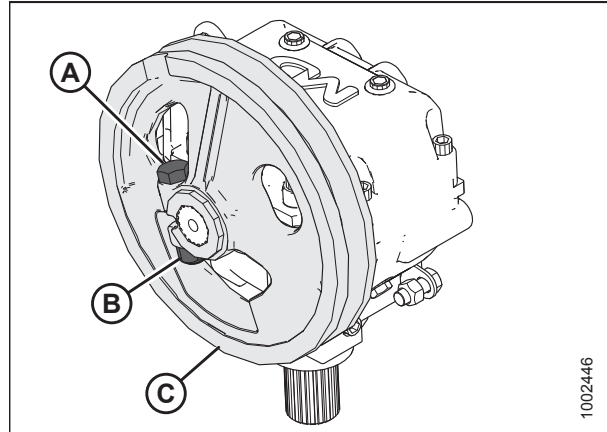


Figure 5.51: Knife Drive Box and Pulley

Installing Knife Drive Box Pulley

Before removing the knife drive box pulley, remove the knife drive box from the header. Refer to [Removing Knife Drive Box, page 147](#).

1. Ensure the splines and bores in the pulley and drive arm are free of paint, oil, and solvents.
2. Apply two bands (A) of medium-strength threadlocker (Loctite® 243 or equivalent) around the shaft as shown at right. Apply one band at the end of the spline and the second band in the middle.
3. Install the pulley (B) until flush with the end of the shaft.
4. Secure the pulley with 5/8 x 3 in. hex head bolt with distorted thread NC lock nut and torque to 217 Nm (160 lbf·ft).

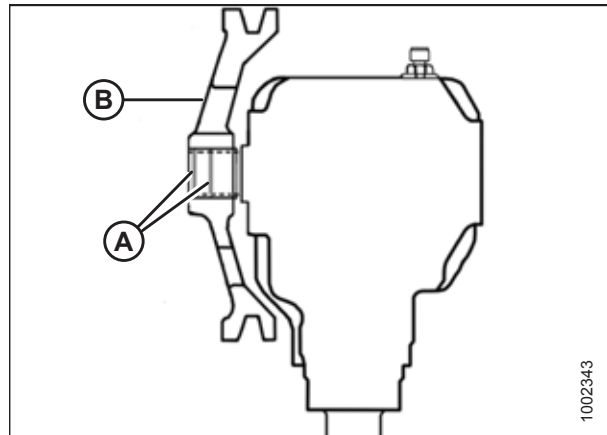


Figure 5.52: Knife Drive Box

MAINTENANCE AND SERVICING

Installing Knife Drive Box

NOTE:

If the pulley was removed from the knife drive box, refer to *Installing Knife Drive Box Pulley, page 150*. If the pulley was **NOT** removed, proceed to Step 1, *page 151*.

CAUTION

Knife drive box with pulley weighs over 35 kg (65 lb.) Use care when removing or installing. Lug (L) can be used for lifting.

1. Position the knife drive box onto the header mount and install the belt onto the pulley.
2. Secure the knife drive box to the frame using two 5/8 x 1-3/4 in. grade 8 hex head bolts (A) on the side and two 5/8 x 2-1/4 in. grade 8 hex head bolts (B) on the bottom.
3. Tighten the knife drive box side bolts (A) slightly, then tighten the bottom bolts (B) to ensure proper contact with the vertical and horizontal mounting surfaces. Do **NOT** torque the bolts at this time.

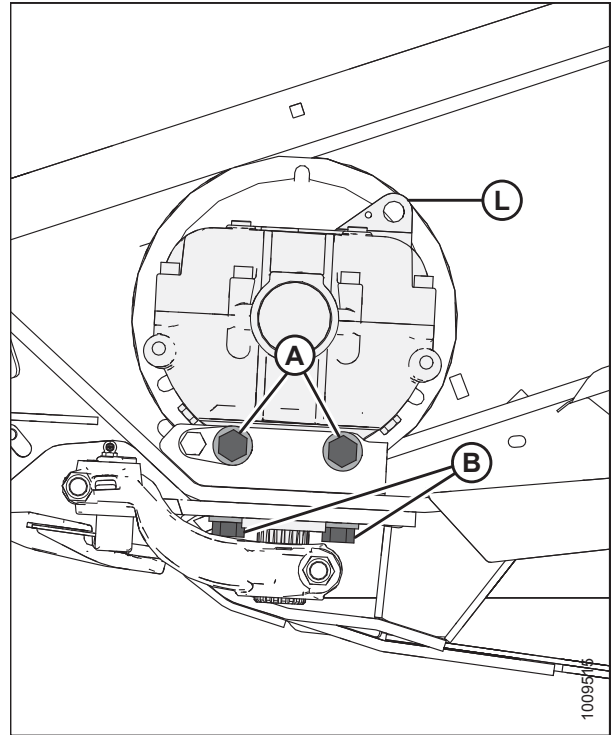


Figure 5.53: Knife Drive Box

4. Apply two bands (A) of medium-strength threadlocker (Loctite® 243 or equivalent) to the output shaft as shown. Apply one band at the end of the output shaft and the second band in the middle.
5. Slide the output arm (B) onto the output shaft. Rotate the pulley to ensure the splines are properly aligned and the drive arm clears the frame on the inboard stroke.

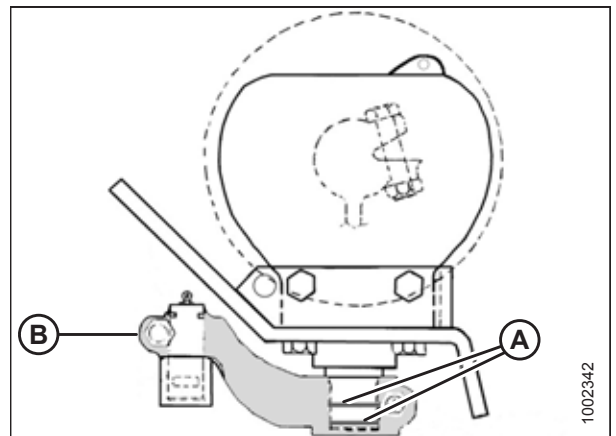


Figure 5.54: Knife Drive Box

MAINTENANCE AND SERVICING

- Position the output arm (A) to the farthest outboard position. Move the output arm (A) up or down on the splined shaft until it is almost contacting the knifehead (B) (exact clearance [C] is set during the knifehead pin installation).

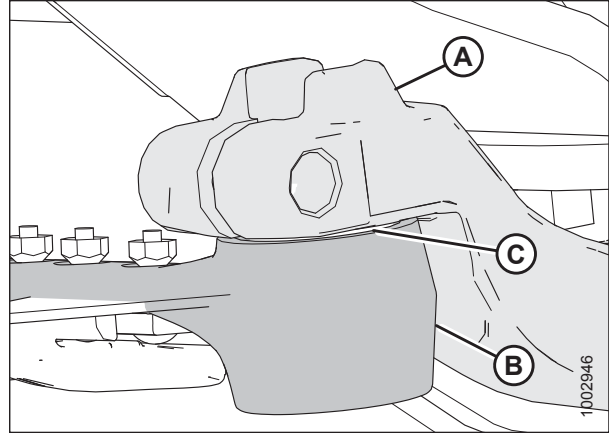


Figure 5.55: Knifehead

- Torque the output arm bolt (A) to 217 Nm (160 lbf-ft).

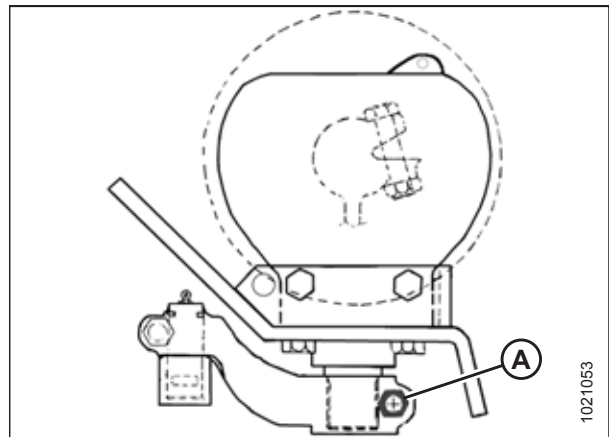


Figure 5.56: Knife Drive Box

- Slide the knife into place and align the knifehead with the output arm.

NOTE:

Remove the grease fitting from the knifehead pin for easier installation of knifehead pin.

- Install the knifehead pin (A) through the output arm (C) and into the knifehead.
- Set the groove (B) in the knifehead pin 1.5 mm (1/16 in.) above the output arm (C). Secure with 5/8 x 3 in. hex head bolt and nut (D), and torque to 217 Nm (160 lbf-ft).

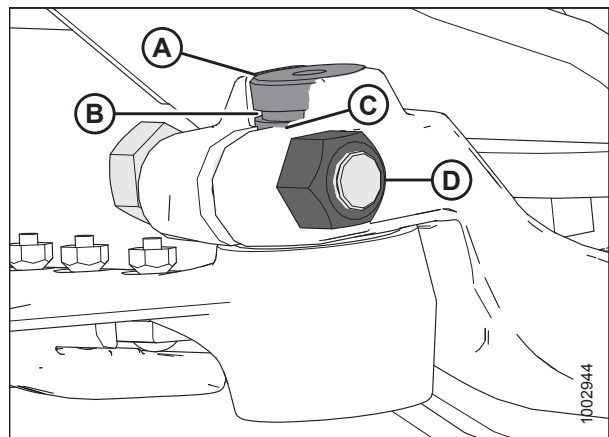


Figure 5.57: Knifehead

MAINTENANCE AND SERVICING

11. Install the grease fitting (A) into the knifehead pin, and turn the grease fitting for easy access.

IMPORTANT:

Slowly apply grease to the knifehead until slight downward movement of the knifehead is observed. Do **NOT** overgrease the knifehead. Overgreasing leads to knife misalignment causing excessive heating of guards and overloading of drive systems. If overgreasing occurs, remove the grease fitting to release pressure.

12. Check the alignment of the knife drive box pulley and the drive pulley. If pulleys require adjustment, contact your MacDon Dealer.

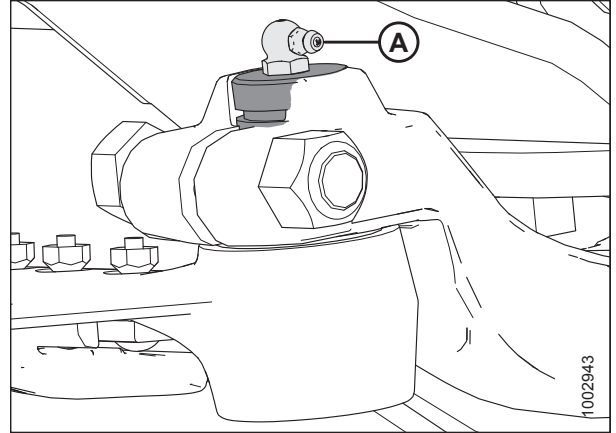


Figure 5.58: Knifehead

13. Tighten the knife drive box side bolts (A) first, then tighten the bottom bolts (B). Torque to 271 Nm (200 lbf·ft).
14. Move the output arm to the mid-stroke position, and ensure the knife bar doesn't contact the front of the first guard. If the knife drive box requires adjustment, contact your MacDon Dealer.
15. Install and tension the knife drive belts.
 - For untimed belts, refer to *Checking and Tensioning*, page 162.
 - For timed belts, refer to *Tensioning Timed Knife Drive Belts*, page 168.
 - For timed double-knife headers, also check the knife timing, refer to *Adjusting Double-Knife Timing*, page 170.
16. Close the endshield. Refer to *Closing Endshields*, page 36.

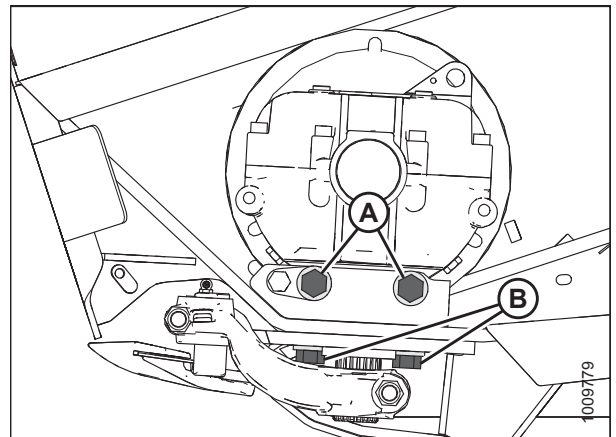


Figure 5.59: Knife Drive Box

MAINTENANCE AND SERVICING

Adjusting Knife Drive Box Squareness

1. Place a straight edge (A) along the face of the knife drive box pulley (B) and measure a distance of 1000 mm (39-3/8 in.) between point (C) and point (D).
2. Measure the distance (E) between the straight edge and endsheet at point (C) and point (D). Check that the measurements at point (C) and point (D) are within a tolerance of +/- 3 mm (1/8 in.).

NOTE:

If the difference between measurements at point (C) and point (D) is greater than 5 mm (3/16 in.), install a shim.

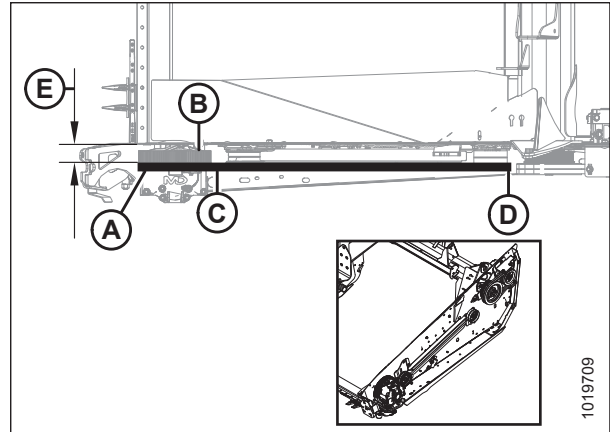


Figure 5.60: Knife Drive Box (Top View)

3. Loosen four bolts (A) securing the knife drive box to the frame.

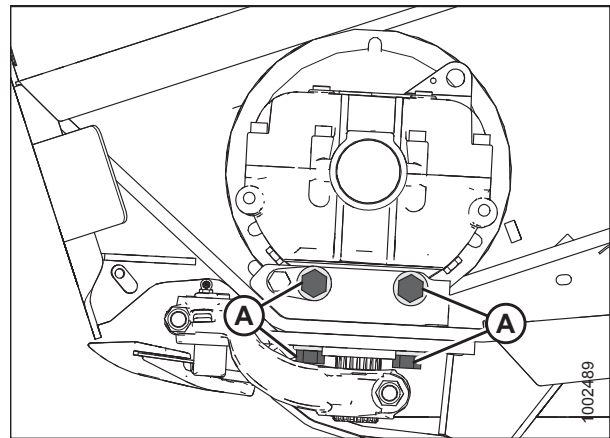


Figure 5.61: Knife Drive Box

4. Manufacture a U-shaped shim (A) to fit under the side bolts securing the knife drive box to the frame. Place the shim between the header mount and the knife drive box. Shim the drive box as required to align the pulley.
5. Refer to *Installing Knife Drive Box*, page 151 for bolt installation instructions.
6. Tighten bolts and recheck squareness.
7. Refer to *Checking and Tensioning*, page 162 for belt tensioning instructions.

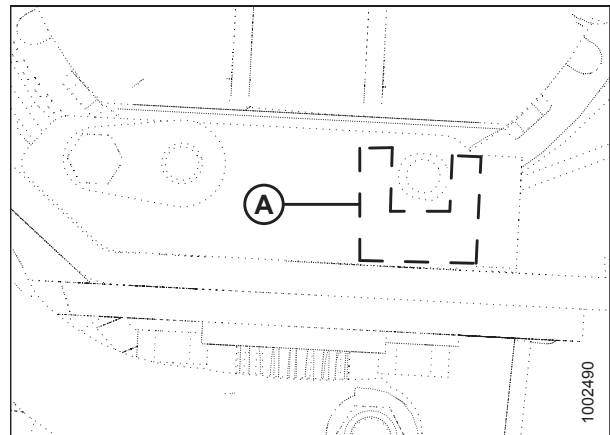


Figure 5.62: U-Shaped Shim

MAINTENANCE AND SERVICING

Adjusting Knife Drive Box Fore-Aft

Perform this procedure if there is contact between the guard and the knife bar, or if adjustments have been made to the alignment tab.

1. Identify the location of contact between the guard and the knife bar to determine which direction to move the knife drive box.

NOTE:

The procedure is the same for both ends of a timed double-knife header. Images shown are for the left end—the right end is opposite.

2. Shut down the windrower, and remove the key from the ignition.
3. Open the endshield. Refer to *Opening Endshields*, page 35.
4. Loosen the two nuts (A) enough to allow the idler pulleys (B) to pivot.

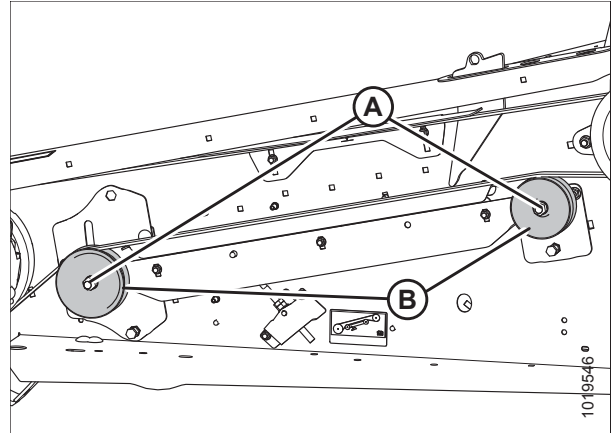


Figure 5.63: Timed Double-Knife Drive

5. Loosen the jam nut (C).
6. Turn flange nut (A) counterclockwise on adjuster bolt (B) to relieve knife drive belt tension.

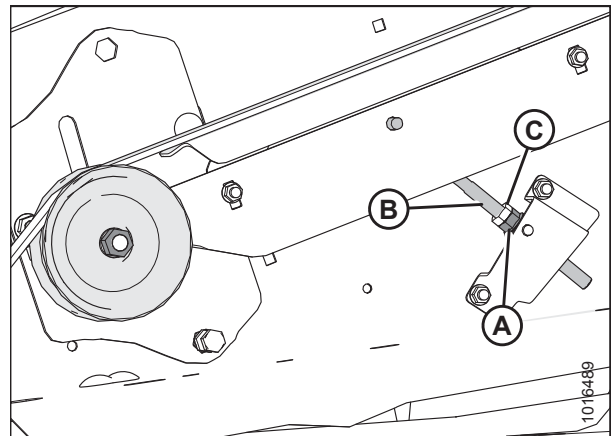


Figure 5.64: Timed Double-Knife Drive

MAINTENANCE AND SERVICING

7. Loosen four bolts (A) securing the knife drive box to the mount.
8. Loosen bolt (C) securing the knife drive box locating tab (B).

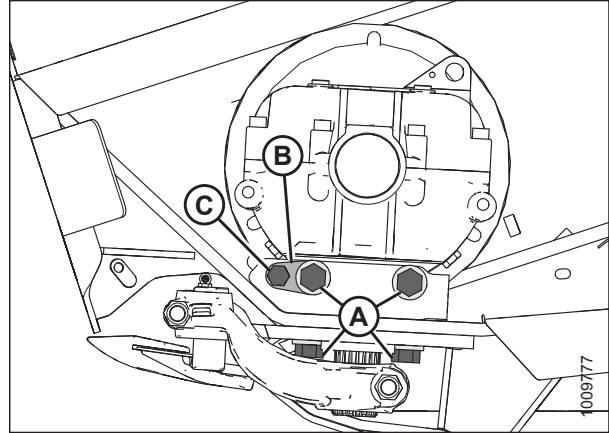


Figure 5.65: Knife Drive Box

9. Move the output arm to the mid-stroke position, and adjust the knife drive box until there is a 1–2 mm (1/32–1/16 in.) gap (B) between the front of knife bar (A) and guard (C).

NOTE:

If the knife bar (A) makes contact with the front of the guard (C), move the knife drive box rearwards. If the knife bar makes contact with the rear of the guard, move the knife drive box forwards.

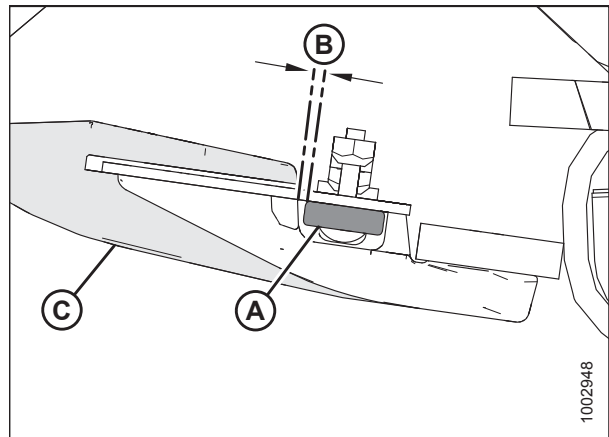


Figure 5.66: Clearance between Guard and Front of Knife Bar

10. Tighten bolt (A) securing the knife drive box locating tab (B).

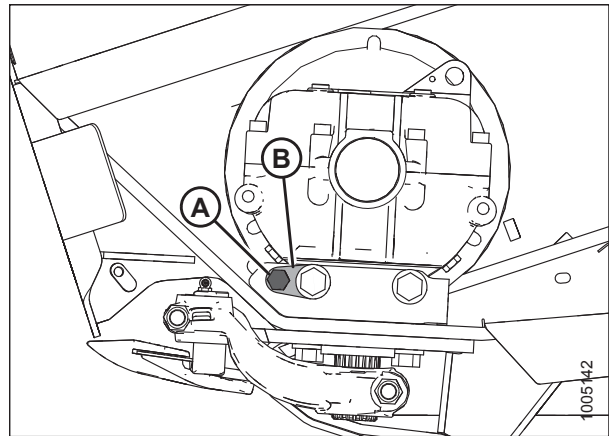


Figure 5.67: Knife Drive Box

MAINTENANCE AND SERVICING

11. Tighten knife drive box side bolts (A) first, then tighten the bottom bolts (B). Torque to 271 Nm (200 lbf-ft).
12. Install and tension the knife drive belts.
 - For non-timed belts, refer to *Checking and Tensioning*, page 162.
 - For timed belts, refer to *Tensioning Timed Knife Drive Belts*, page 168.

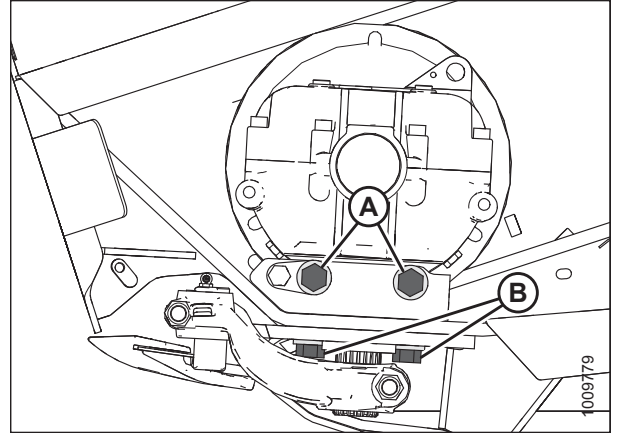


Figure 5.68: Knife Drive Box

Changing Oil in Knife Drive Box

⚠ WARNING

To avoid bodily injury or death from unexpected startup of machine, always stop engine and remove key before making adjustments to machine.

Change the knife drive box lubricant after the first 50 hours of operation and every 1000 hours (or 3 years) thereafter.

1. Shut down the windrower, and remove the key from the ignition.
2. Raise the header and place a container large enough to hold approximately 2.2 liters (2.3 quarts) under the knife drive box to collect the oil.
3. Open the endshield. Refer to *Opening Endshields, page 35*.
4. Remove the breather/dipstick (A) and the drain plug (B).
5. Allow the oil to drain from the knife drive box and into the container placed below it.
6. Reinstall the drain plug (B).
7. Add oil to the knife drive box. Refer to inside back cover for recommended fluids and lubricants.
8. Close the endshield. Refer to *Closing Endshields, page 36*.

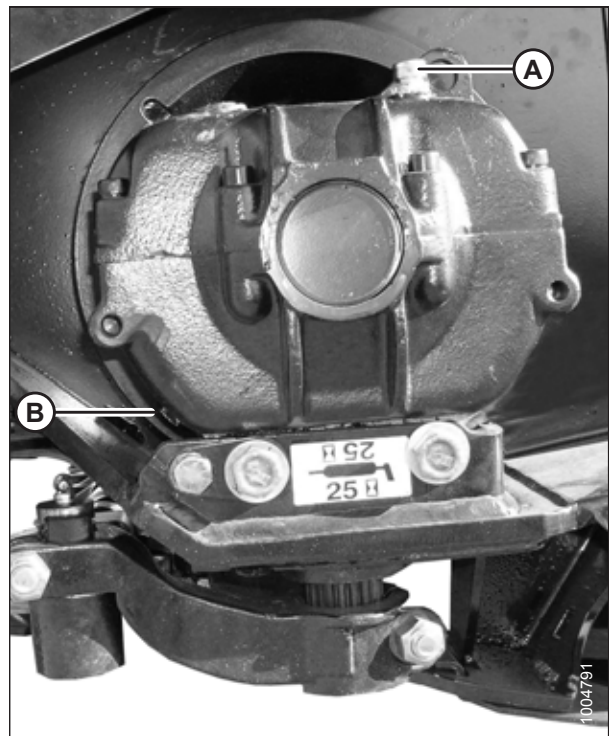


Figure 5.69: Knife Drive Box

5.6.2 Knife Drive Belts

Untimed Knife Drive Belts

The knife drive box is driven by a V-belt that is powered by a hydraulic motor on the header endsheets.

Removing

The is the same for both sides of a double-knife header.

WARNING

To avoid bodily injury or death from unexpected startup of machine, always stop engine and remove key before making adjustments to machine.

1. Shut down the windrower, and remove the key from the ignition.
2. Open the endshield. Refer to [Opening Endshields](#), [page 35](#).
3. Loosen the two bolts (A) securing the motor assembly to the header endsheet.
4. Loosen the belt tension by turning the tensioning bolt (B) counterclockwise.

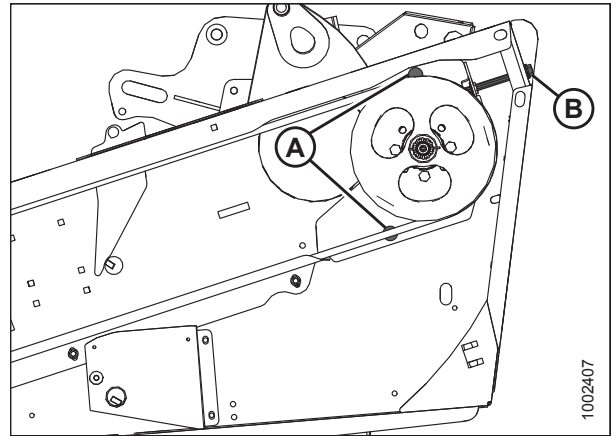


Figure 5.70: Untimed Double-Knife Drive

5. To provide clearance between the knife drive box pulley and the endsheet, open the access cover (A) on the endsheet behind the cutterbar.

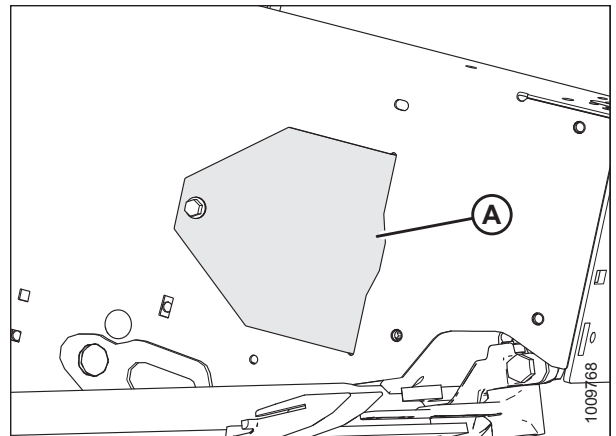


Figure 5.71: Access Cover

MAINTENANCE AND SERVICING

6. Remove the belt (A) from the drive pulley (B).
7. Slip the belt (A) over and behind the knife drive box pulley (C). Use the notch in the pulley to assist with belt removal.

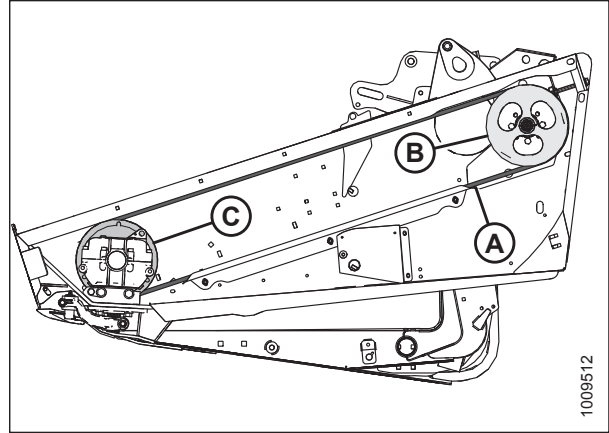


Figure 5.72: Knife Drive

Installing

The procedure for installing untimed knife drive belts is the same for both sides of the header.

WARNING

To avoid bodily injury or death from unexpected startup of machine, always stop engine and remove key before making adjustments to machine.

1. Shut down the windrower, and remove the key from the ignition.
2. Route the knife drive belt (A) around the knife drive box pulley (C) and knife drive pulley (B). Use the notch in the pulley to assist with the belt installation.

NOTE:

Ensure the drive motor is fully forward, do **NOT** pry the belt over the pulley.

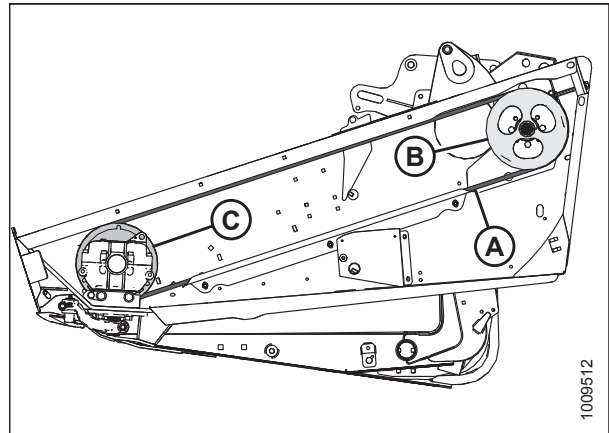


Figure 5.73: Knife Drive

MAINTENANCE AND SERVICING

3. Tension the knife drive belt. Refer to *Checking and Tensioning* , page 162.
4. Install the access cover (A) and secure with bolt.
5. Close the endshield. Refer to *Closing Endshields*, page 36.

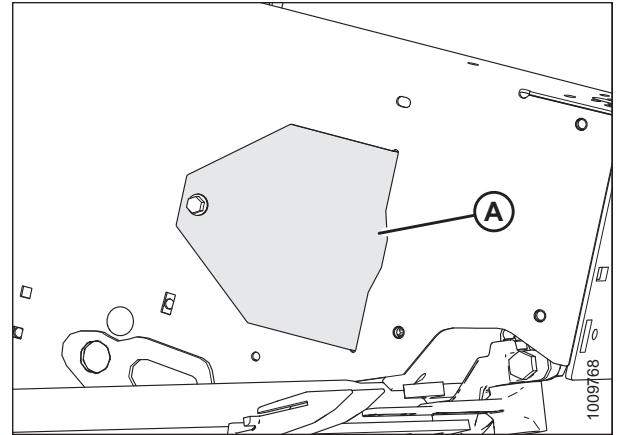


Figure 5.74: Access Cover

Checking and Tensioning

⚠ WARNING

To avoid bodily injury or death from unexpected startup of machine, always stop engine and remove key before making adjustments to machine.

IMPORTANT:

To prolong the belt and drive life, do **NOT** overtighten the belt.

1. Shut down the windrower, and remove the key from the ignition.
2. Open the left endshield. Refer to *Opening Endshields, page 35*.

NOTE:

Belt guide removed for clarity.

3. Loosen the two bolts (A) securing the motor assembly to the header endsheet.
4. Check drive belt tension. A properly tensioned drive belt (C) should deflect 24–28 mm (15/16–1-1/8 in.) when 133 N (30 lbf) of force is applied at the midspan. If the belt needs to be tensioned, turn the adjuster bolt (B) clockwise to move the drive motor until proper tension is set.

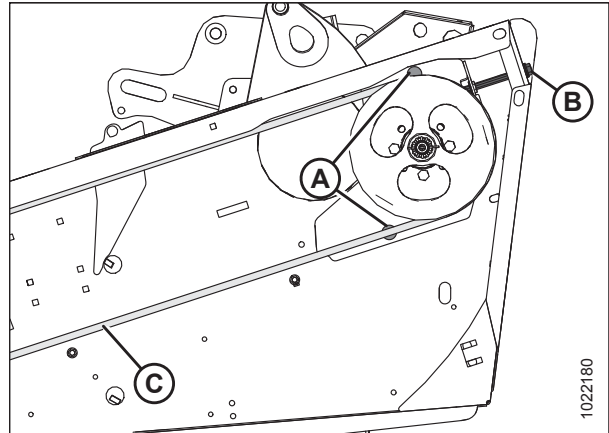


Figure 5.75

5. Ensure the clearance between the belt (A) and the belt guide (B) is 1 mm (1/16 in.).
6. Loosen the three bolts (C), and adjust the position of the guide (B) as required.
7. Tighten the three bolts (C).
8. Close the endshield. Refer to *Closing Endshields, page 36*.

NOTE:

Readjust the tension of a new belt after a short run-in period (about 5 hours).

9. **Double-knife headers only:** Repeat procedure on the other side of the header.

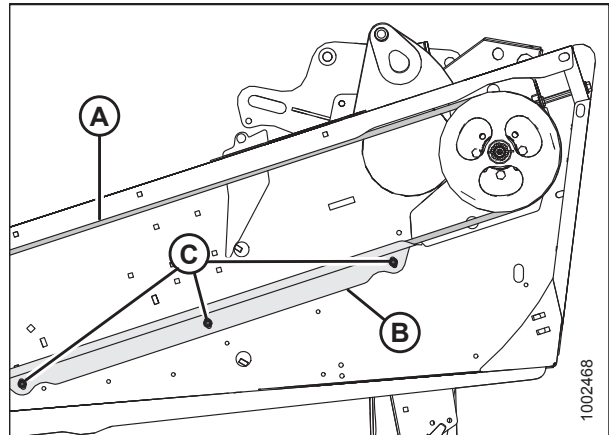


Figure 5.76: Knife Drive

Timed Double-Knife Drive Belts

Removing Timed Drive V-Belts

⚠ WARNING

To avoid bodily injury or death from unexpected startup of machine, always stop engine and remove key before making adjustments to machine.

1. Shut down the windrower, and remove the key from the ignition.
2. Open the endshield. Refer to *Opening Endshields*, page 35.
3. Loosen the two bolts (A) securing the motor assembly to the header endsheet.
4. Turn the adjuster bolt (B) counterclockwise to loosen and remove the two V-belts (C).

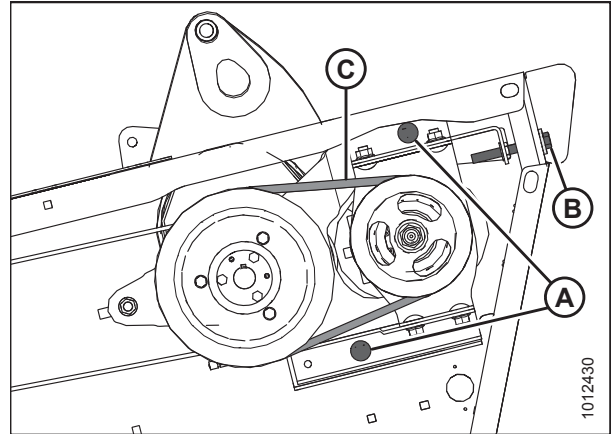


Figure 5.77: Knife Drive V-Belts

Installing Timed Drive V-Belts

NOTE:

Install new V-belts in matching pairs.

1. Shut down the windrower, and remove the key from the ignition.
2. Install the V-belts (C) onto the pulleys.

NOTE:

Ensure the drive motor is fully forward, do **NOT** pry the belts over the pulley.

3. Turn the adjuster bolt (B) clockwise to tighten the V-belts. A properly tensioned V-belt should deflect 4 mm (5/32 in.) when 52–77 N (12–17 lbf) is applied at the midspan.

IMPORTANT:

To prolong the life of V-belts and drives. Do **NOT** overtighten the V-belts.

4. Tighten the two bolts (A) on the endsheet.
5. Close the endshield. Refer to *Closing Endshields*, page 36.
6. Check the tension of the new V-belts after a short run-in period (about five hours).

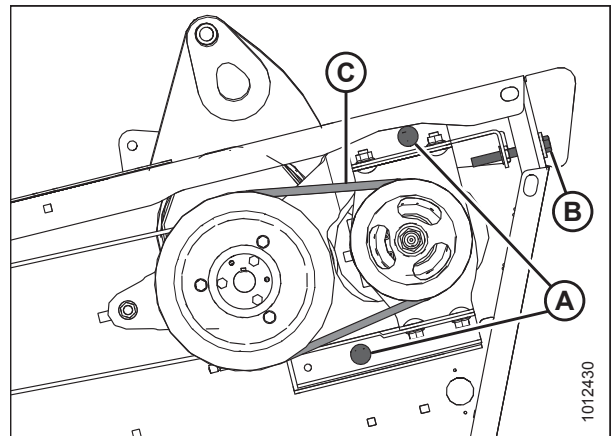


Figure 5.78: Knife Drive V-Belts

MAINTENANCE AND SERVICING

Removing Timed Knife Drive Belt

The timed knife drive belt removal procedure is the same for both sides of the header.

WARNING

To avoid bodily injury or death from unexpected startup of machine, always stop engine and remove key before making adjustments to machine.

1. Shut down the windrower, and remove the key from the ignition.
2. Open the endshield. Refer to [Opening Endshields](#), page 35.
3. Loosen the two nuts (A) enough to allow the idler pulleys (B) to pivot.

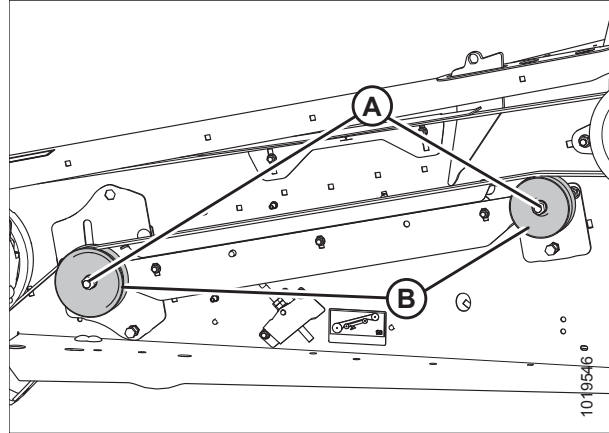


Figure 5.79: Knife Drive

4. Loosen the jam nut (C).
5. To relieve knife drive belt tension, turn flange nut (A) counterclockwise on adjuster bolt (B).

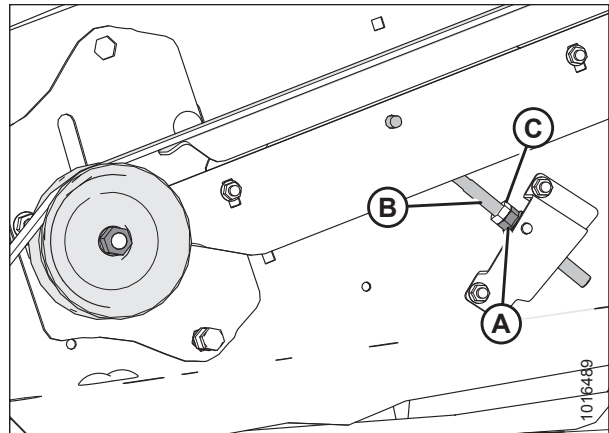


Figure 5.80: Timed Double-Knife Drive

MAINTENANCE AND SERVICING

NOTE:

The following two steps apply only to the left-side drive.

6. Loosen two bolts (A) on the endsheet.
7. Turn the adjuster bolt (B) counterclockwise to loosen and remove the two V-belts (C).

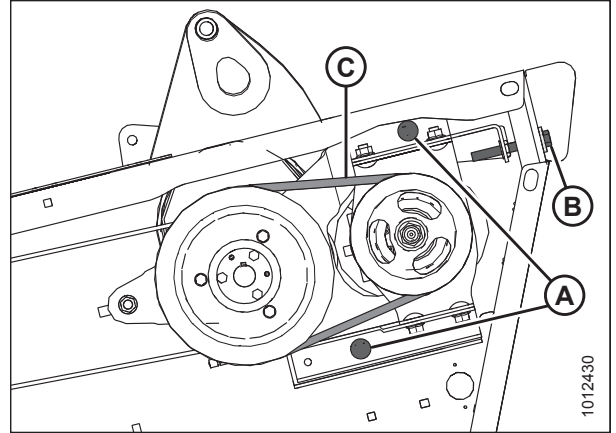


Figure 5.81: Knife Drive V-Belts

8. Open the access cover (A) on the endsheet behind the cutterbar to provide clearance between the knife drive box pulley and the endsheet.
9. Remove the knife drive belt.

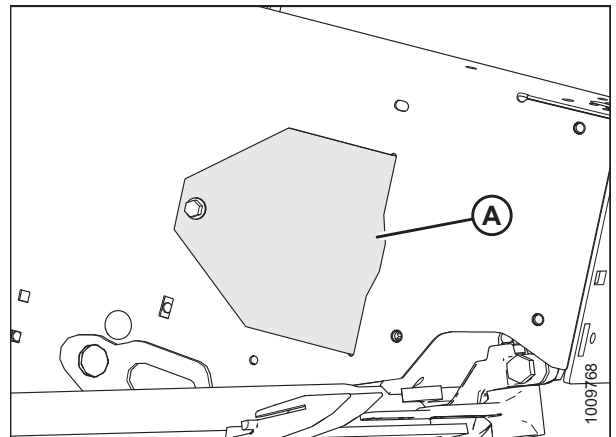


Figure 5.82: Access Cover

Installing Timed Knife Drive Belt

The procedure for installing timed knife drive belts is the same for both sides of the header.

WARNING

To avoid bodily injury or death from unexpected startup of machine, always stop engine and remove key before making adjustments to machine.

If the belt is out of alignment, refer to [Adjusting Belt Tracking, page 172](#).

MAINTENANCE AND SERVICING

1. Shut down the windrower, and remove the key from the ignition.
2. Route the knife drive belt (A) around the pulley (B) and the knife drive box pulley (C).

NOTE:

Ensure the drive motor is fully forward. Do **NOT** pry the belt over the pulley.

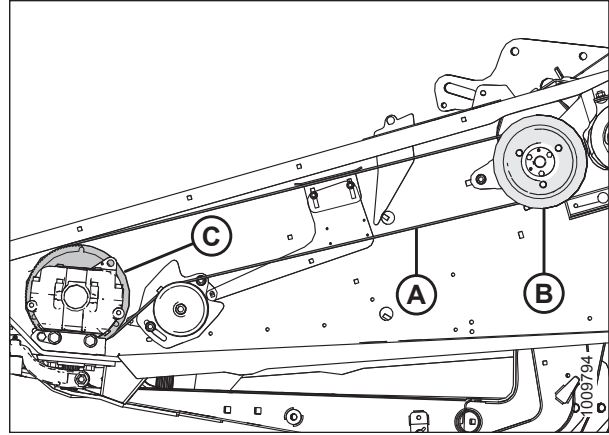


Figure 5.83: D1X Header Left Side Shown – Right Side Similar

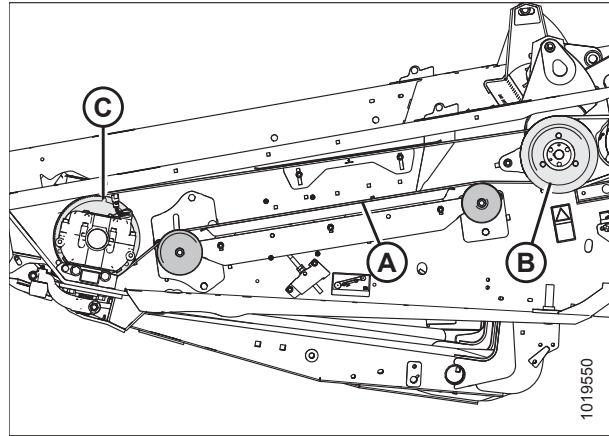


Figure 5.84: D1XL Header Left Side Shown – Right Side Similar

3. Install the V-belts (C) onto the pulleys.

NOTE:

Ensure the drive motor is fully forward, do **NOT** pry the belts over the pulley.

4. Turn the adjuster bolt (B) clockwise to tighten the V-belts. A properly tensioned V-belt should deflect 4 mm (5/32 in.) when 52–77 N (12–17 lbf) is applied at the midspan.

IMPORTANT:

To prolong the life of V-belts and drives. Do **NOT** overtighten the V-belts.

5. Tighten the two bolts (A) on the endsheet.

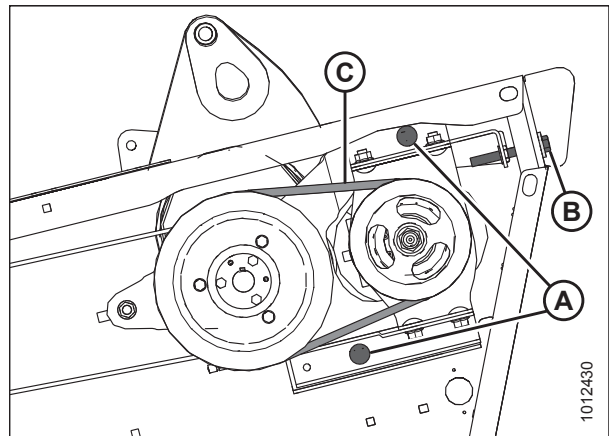


Figure 5.85: Knife Drive V-Belts

MAINTENANCE AND SERVICING

For D1X headers only:

6. Ensure the knives are timed before tightening the belt. Refer to [Adjusting Double-Knife Timing, page 170](#).
7. Slide the idler pulley (A) up on the slot on support bracket (B) to take up the slack in the timing belt.

NOTE:

Ensure nut (C) is as high as possible in the slot on support bracket (B).

8. Tighten nut (D) to 212–234 Nm (157–173 lbf-ft).

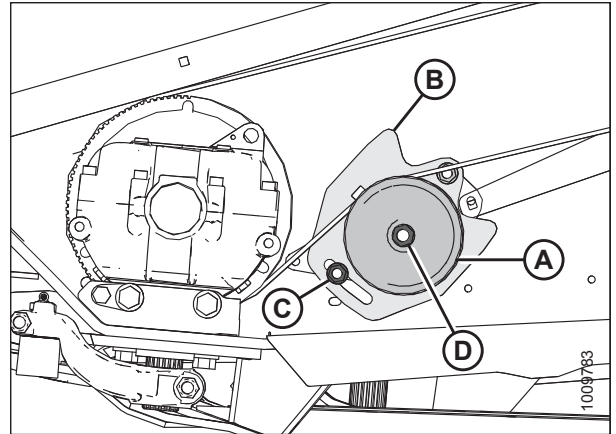


Figure 5.86: Knife Drive (D1X Header Shown)

For D1XL headers only:

9. Ensure the knives are timed before tightening the belt. Refer to [Adjusting Double-Knife Timing, page 170](#).
10. Slide pulley (A) up on the slot on support bracket (B) to take up the slack in the timing belt and tighten adjuster nut (C).

NOTE:

Ensure idler pulley (A) is as high as possible in the support bracket slot.

11. Tighten nut (D) to 212–234 Nm (157–173 lbf-ft).

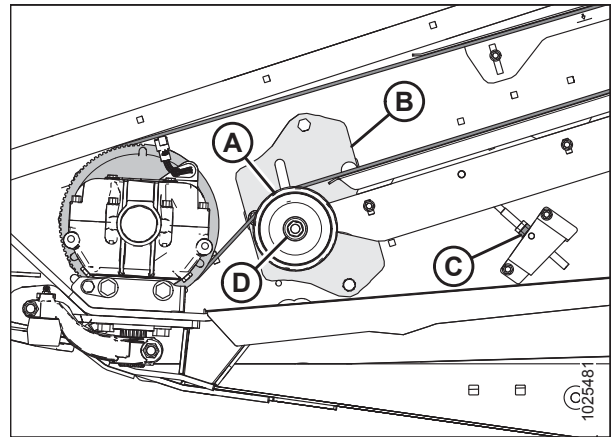


Figure 5.87: Knife Drive (D1XL Header Shown)

12. Tension the knife drive belt. Refer to [Tensioning Timed Knife Drive Belts, page 168](#).
13. Install the access cover (A) and secure with bolt.
14. Close the endshield. Refer to .

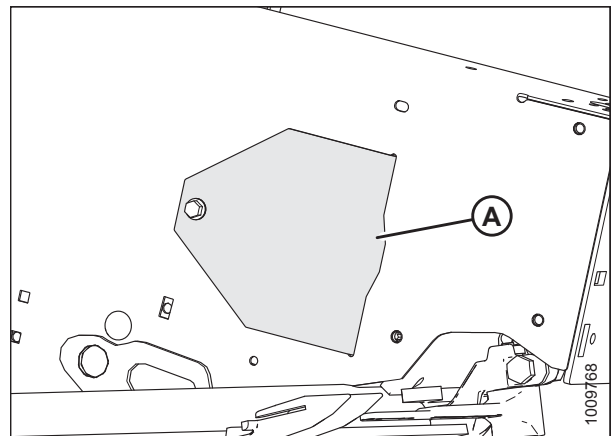


Figure 5.88: Access Cover

MAINTENANCE AND SERVICING

Tensioning Timed Knife Drive Belts

The procedure for tensioning timed knife drive belts is the same for both sides of the header. The illustrations shown are for the left side—the right side is opposite.

IMPORTANT:

To prolong belt and drive life, do **NOT** overtighten belt.

IMPORTANT:

Do **NOT** use the adjuster bolt at the drive pulley to adjust timing belt tension.

1. Shut down the windrower, and remove the key from the ignition.
2. Open the endshield. Refer to *Opening Endshields*, page 35.
3. Loosen two nuts (A) enough to allow the idler pulleys (B) to pivot.

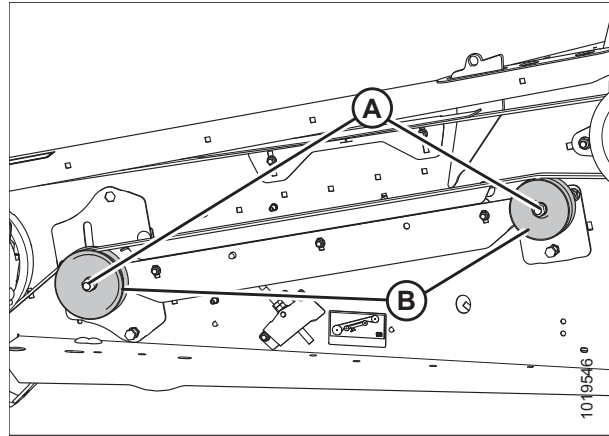


Figure 5.89: Left Knife Drive

4. Thread flange nut (C) down adjuster bolt (B) to push the bracket (A) up.

NOTE:

Tension is checked at midspan of the belts. The belts should deflect 20 mm (3/4 in.) with 89 N (20 lbf) of force applied to belt.

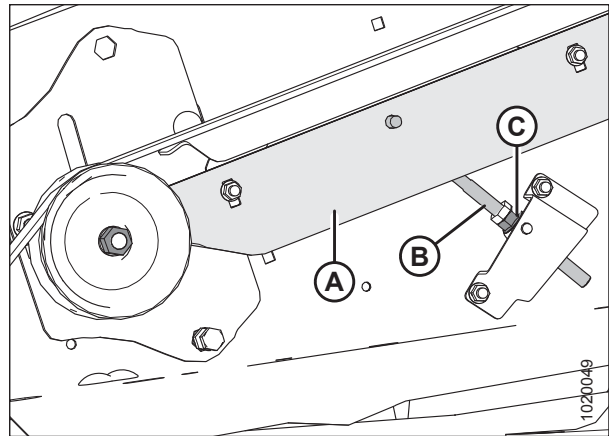


Figure 5.90: Left Knife Drive

MAINTENANCE AND SERVICING

5. Tighten nuts (A) on idler pulleys (B) to 217 Nm (160 lbf-ft).

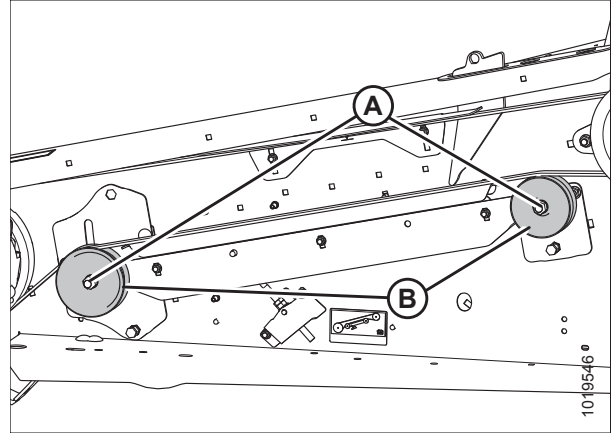


Figure 5.91: Left Knife Drive

6. Tighten jam nut (A) to prevent loosening of the adjuster bolt (B).

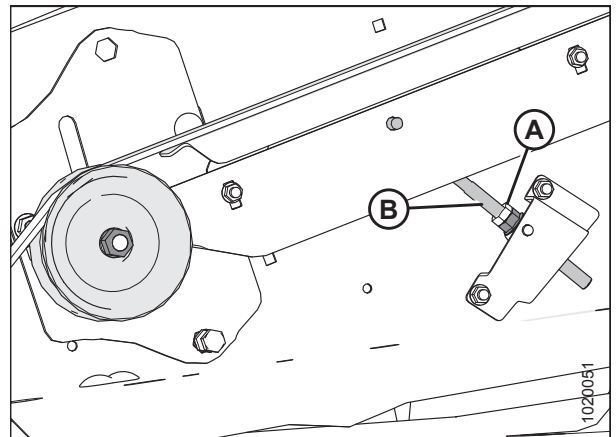


Figure 5.92: Left Knife Drive

7. Ensure there is a clearance of 2.5–3.5 mm (1/8 in.) between the lower belt (A) and lower guide (B).
8. If necessary, loosen the three bolts (C) and adjust lower guide (B) as required. Tighten bolts.
9. Check that upper belt (D) and upper guide (E) have a clearance of 1.5–2.5 mm (1/16–1/8 in.). If necessary, loosen the two bolts (F) and adjust as required. Tighten the bolts.
10. Close the endshield. Refer to [Closing Endshields, page 36](#).
11. Repeat procedure for other side of header.

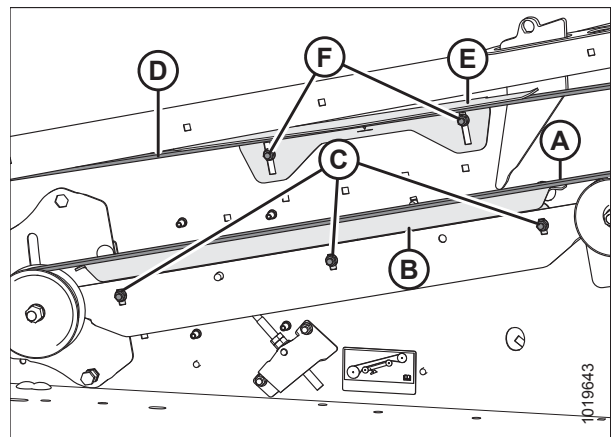


Figure 5.93: Left Knife Drive

MAINTENANCE AND SERVICING

Adjusting Double-Knife Timing

Timed double-knife drive headers (10.7 m [35 ft.] and smaller) require the knives to be properly timed to move in opposite directions.

WARNING

To avoid bodily injury or death from unexpected startup of machine, always stop engine and remove key before making adjustments to machine.

1. Shut down the windrower, and remove the key from the ignition.
2. Open both endshields. Refer to *Opening Endshields*, page 35.
3. Remove the right belt. Refer to *Removing Timed Knife Drive Belt*, page 164.
4. Rotate the left knife drive box driven pulley clockwise until the left knife (A) is at the center of the inboard stroke (B) (moving towards the center of the header).

NOTE:

The center stroke is when the knife sections (C) are centered between the guard points.

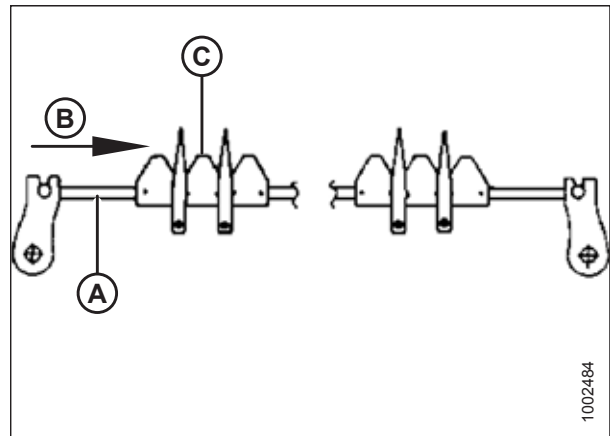


Figure 5.94: Adjusting Timing – Left Side

5. Rotate the right knife drive box pulley counterclockwise until the right knife (A) is at the center of the inboard stroke (B) (moving towards the center of the header).

NOTE:

The center stroke is when the knife sections (C) are centered between the guard points.

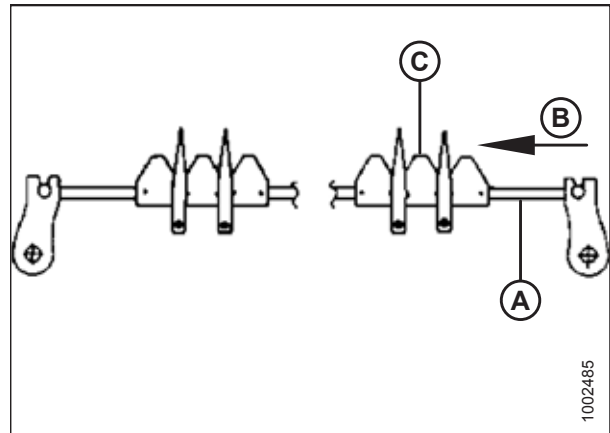


Figure 5.95: Adjusting Timing – Right Side

MAINTENANCE AND SERVICING

6. Install the right-side belt (A).

NOTE:

Ensure the knife drive box drive pulley and driven pulley do **NOT** rotate during belt installation.

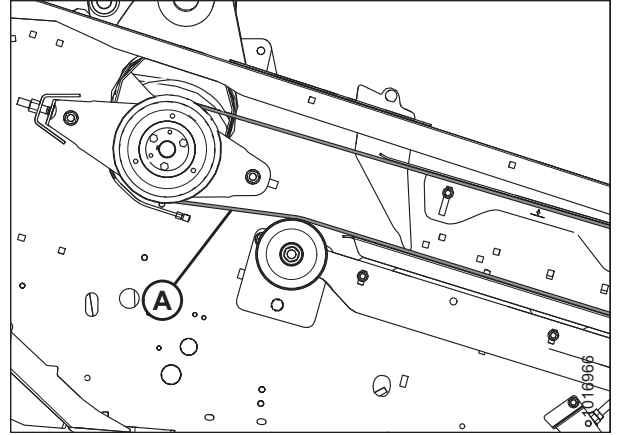


Figure 5.96: Knife Drive – Right Side

7. Slide the idler pulley (A) up by hand to remove most of the belt slack. Tighten the nut (B).

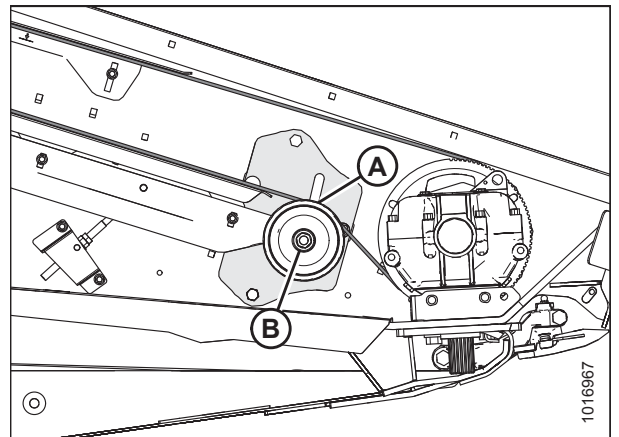


Figure 5.97: Knife Drive – Right Side

8. Pull the idler pulley (A) as high as possible by hand.
9. Thread flange nut (B) down adjuster bolt (C) to achieve final tension.

NOTE:

Tension is checked at midspan of the belts. The belts should deflect 18–22 mm (11/16–7/8 in.) with 89 N (20 lbf) of force applied to belt.

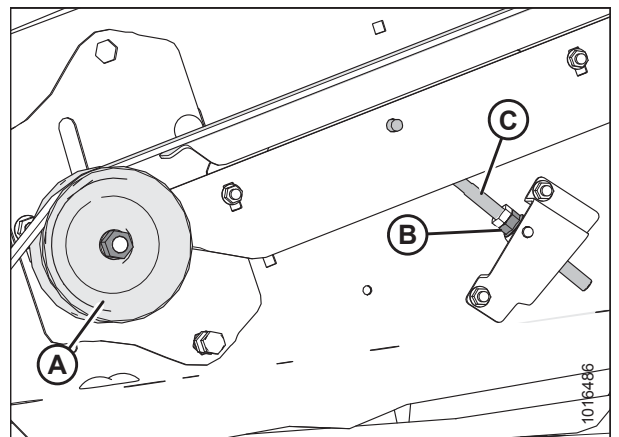


Figure 5.98: Knife Drive– Left Side (Right Side Opposite)

MAINTENANCE AND SERVICING

10. Tighten hex nuts (A) on idler pulleys (B).
11. To check for the correct knife timing, rotate the drive slowly by hand, and observe where the knives overlap at the center of the header.

IMPORTANT:

The knives must begin moving at the exact same time, and must move in opposite directions.

12. If necessary, adjust the knife timing by loosening the right-side drive belt just enough to reposition it to the next cog(s), and proceed as follows:
 - a. If the right knife leads the left knife, rotate the right-side driven pulley (C) clockwise.
 - b. If the right knife lags the left knife, rotate the right-side driven pulley (C) counterclockwise.

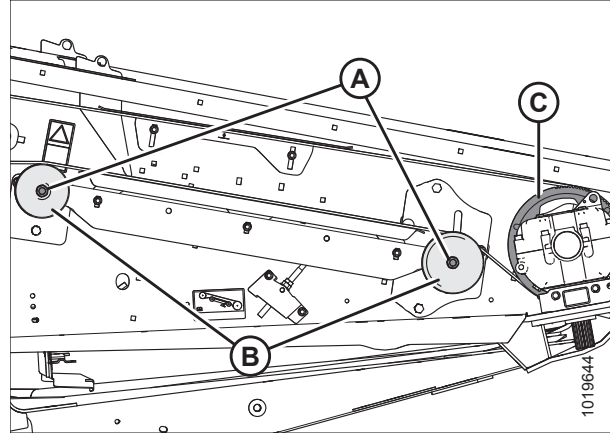


Figure 5.99: Knife Drive – Right Side

13. Ensure the drive pulleys don't rotate, and tension the right-side drive belts (refer to Step 10, page 172 to Step 11, page 172).

IMPORTANT:

Do **NOT** use the adjuster bolt at the drive pulley to adjust the timing belt tension.

14. Recheck the timing (refer to Step 11, page 172) and readjust if necessary (refer to Step 12, page 172).
15. Close both endshields. Refer to *Closing Endshields*, page 36.

Adjusting Belt Tracking

The procedure for adjusting belt tracking is the same for both sides of timed knife headers.

IMPORTANT:

Belts that are not tracking properly are subject to premature failure; ensure the pulleys are aligned and parallel. Follow the belt tensioning procedures in this manual to prevent misalignment.

Cogged timing belts should be centered on the knife drive box pulley and positioned at least 2 mm (3/32 in.) from either edge of the pulley when the header is running (a gap should be visible between the belt and the edge of the pulley).

NOTE:

The belt should not make continuous contact with the flanges of the drive pulley, but occasional contact is acceptable.

DANGER

To avoid bodily injury or death from unexpected start-up of machine, always stop engine and remove key from ignition before leaving operator's seat for any reason.

1. Open both endshields. Refer to *Opening Endshields*, page 35.

CAUTION

Exercise extreme care when operating the header with the endshields open.

2. Operate the header. Observe the belt tracking on both the drive pulley and the knife drive box pulley on both sides of the header. Stop the windrower and remove the key from the ignition before making any adjustments.

MAINTENANCE AND SERVICING

3. If the belt is tracking towards the inboard side of the drive pulley, the likely cause is a toe-out problem (A) and (B). If the belt tends to move towards the low tension [inboard] side of the pulley, proceed to Step 6, [page 174](#).
4. If the belt is tracking towards the outboard side of the drive pulley, the likely cause is a toe-in problem (C) and (D). If the belt tends to move towards the high tension [outboard] side of the pulley, proceed to Step 6, [page 174](#).

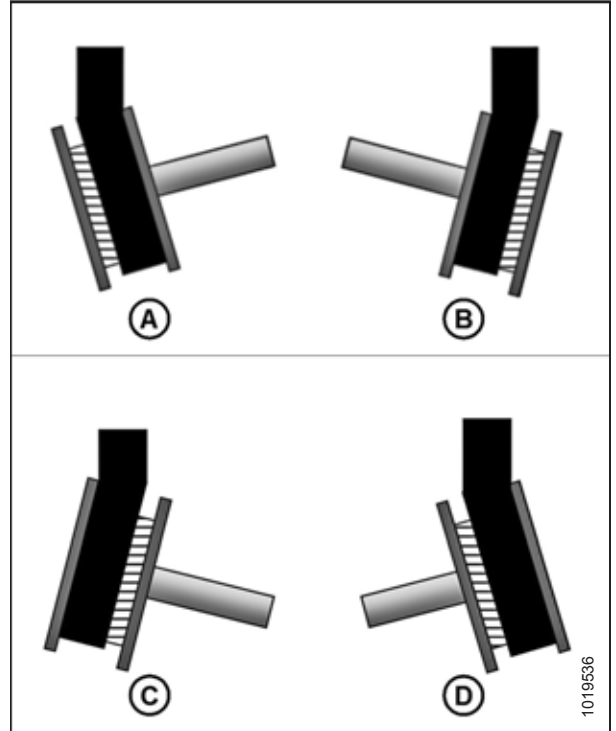


Figure 5.100: Knife Drive Pulley

5. If the belt (A) is tracking to one side of the knife drive box pulley (B), the likely cause is an out-of-position idler pulley (C). Proceed to Step 7, [page 174](#).

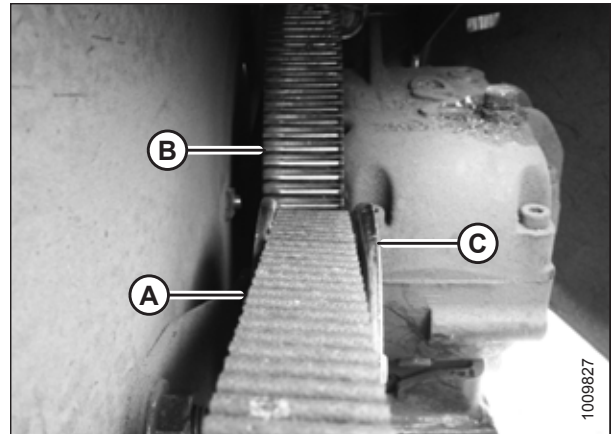


Figure 5.101: Knife Drive Belt

MAINTENANCE AND SERVICING

6. If there is a tracking problem on the drive pulley, adjust the position of the cross-shaft support tube as follows:
 - a. Loosen nut (A) on the support assembly (B).
 - b. To correct a toe-out condition, slide the support assembly (B) rearward in slot (C).
 - c. To correct a toe-in condition, slide the support assembly (B) forward.
 - d. Tighten nut (A).
 - e. Operate the header and check the belt tracking. Adjust the support assembly as required.
 - f. If belt tracking problems continue, proceed to Step 8, page 175.

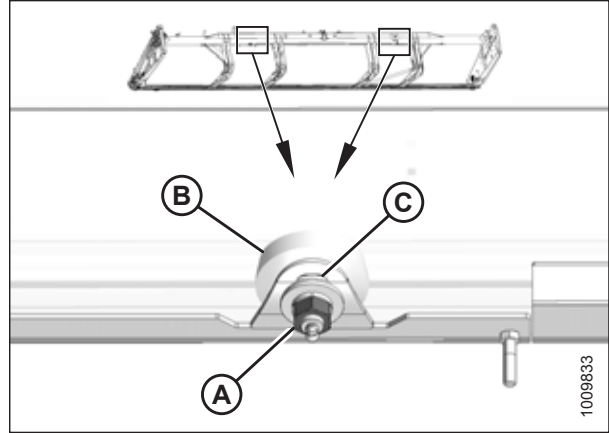


Figure 5.102: Cross-Shaft Support

7. Correct a tracking problem on the knife drive box pulley by adjusting idler positions as follows:
 - a. Loosen jam nuts (A).
 - b. Loosen jam nut and adjuster bolt (B) to relieve belt tension.
 - c. Turn bolts (C) and (D) clockwise to move belt inboard, or counterclockwise to move belt outboard.

NOTE:

Bolts must touch the endsheet to prevent vibration.

- d. Check that belt does not ride against flanges on pulley (E).
- e. Tighten jam nuts (A).
- f. Tension the belt. Refer to *Tensioning Timed Knife Drive Belts*, page 168.
- g. Operate the header and check the belt tracking.

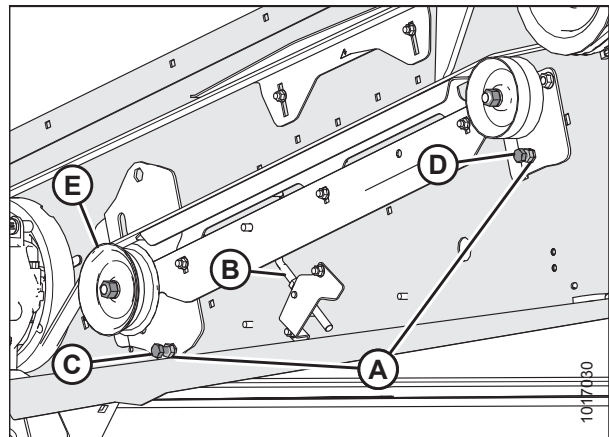


Figure 5.103: Knife Drive – Left Side

MAINTENANCE AND SERVICING

8. If further adjustment is required to correct drive pulley tracking, proceed as follows:
 - a. Loosen jam nuts (A).
 - b. Loosen jam nut and adjuster bolt (B) to relieve belt tension.
 - c. Loosen nuts (C) at the drive pulley location.
 - d. To correct toe-in problems, turn the adjuster bolt (D) clockwise to enable the belt to track inboard.
 - e. To correct toe-out problems, turn the adjuster bolt (D) counterclockwise to enable the belt to track outboard.
 - f. Tighten the nuts (C) at the drive pulley location.
 - g. Tension the belt. Refer to *Tensioning Timed Knife Drive Belts*, page 168.
 - h. Operate the header, check the belt tracking, and readjust the drive pulley as necessary.

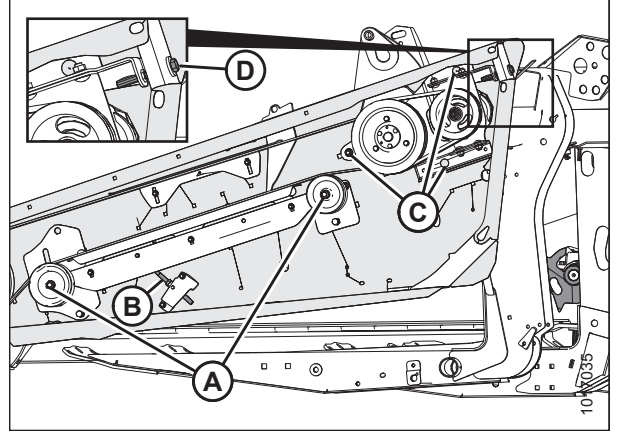


Figure 5.104: Knife Drive – Left Side

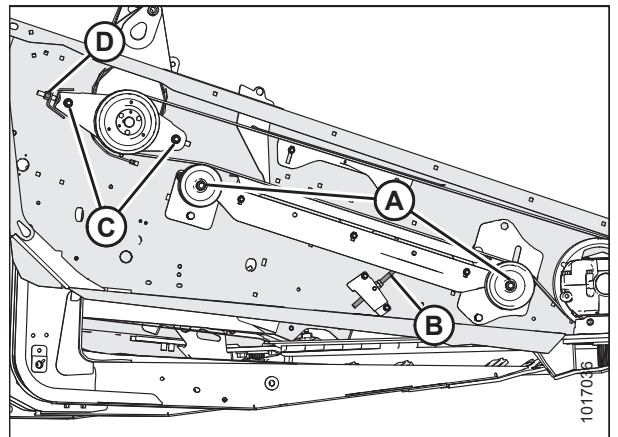


Figure 5.105: Knife Drive – Right Side

5.7 Drapers

Two drapers convey cut crop to center opening. Replace drapers if torn, cracked, or missing slats.

5.7.1 Removing Drapers

DANGER

To avoid bodily injury or death from unexpected start-up or fall of a raised machine, always stop engine and remove key before leaving the operator's seat, and always engage safety props before going under the machine for any reason.

1. Raise the reel and engage the reel safety props.
2. Raise the header and engage the safety props.
3. Move the draper until the draper joint is in the work area.

NOTE:

The deck can also be shifted towards the center to provide an opening at the endsheet.

4. Shut down the windrower, and remove the key from the ignition.
5. Release the tension on the draper. Refer to [5.7.3 Adjusting Draper Tension, page 179](#).
6. Remove the screws (A) and tube connectors (B) at the draper joint.
7. Pull the draper from deck.

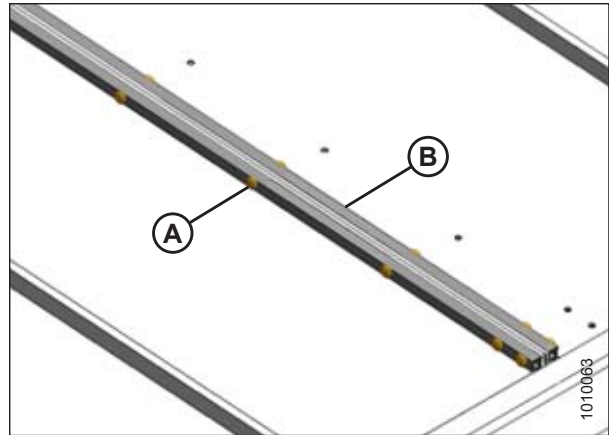


Figure 5.106: Draper Connector

5.7.2 Installing Drapers

WARNING

To avoid bodily injury from fall of raised reel, always engage reel safety props before going under raised reel for any reason.

NOTE:

Check the deck height before installing the drapers. Refer to [5.7.5 Adjusting Deck Height, page 182](#).

1. Apply talc, baby powder, or talc/graphite lubricant mix to the draper surface that forms the seal with the cutterbar and to the underside of the draper guides.
2. Insert the draper into the deck at the outboard end under the rollers. Pull the draper into the deck while feeding it at the end.
3. Feed in the draper until it can be wrapped around the drive roller.
4. Insert the opposite end of the draper into the deck over the rollers. Pull the draper fully into the deck.



Figure 5.107: Installing Draper

5. Loosen the mounting bolts (B) on the rear deck deflector (A) (this may help with draper installation).

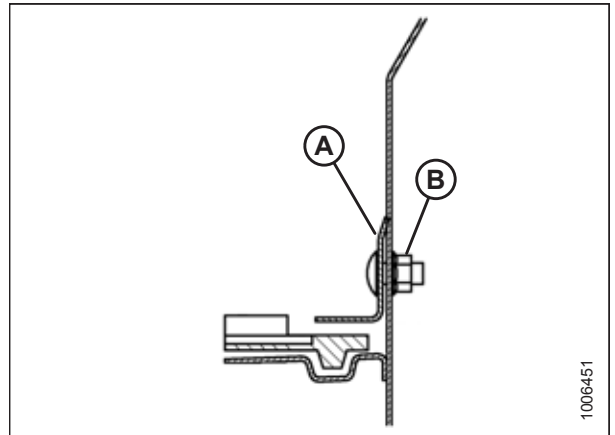


Figure 5.108: Draper Seal

MAINTENANCE AND SERVICING

6. Attach the ends of the draper with tube connectors (B), screws (A) (with the heads facing the center opening), and nuts.
7. Adjust the draper tension. Refer to [5.7.3 Adjusting Draper Tension, page 179](#).

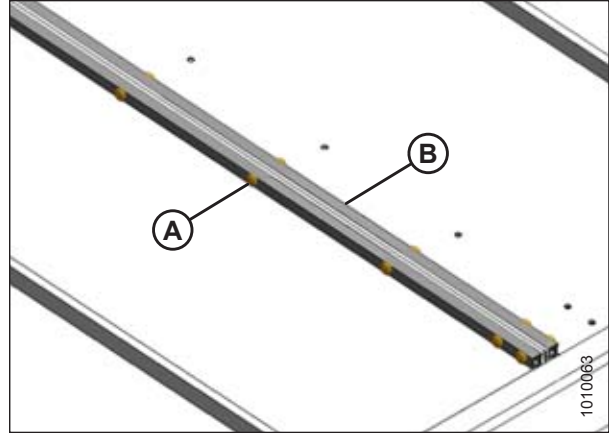


Figure 5.109: Draper Connector

8. Check clearance (A) between drapers (B) and cutterbar (C). It should be 0–3 mm (1/8 in.). Refer to [5.7.5 Adjusting Deck Height, page 182](#) to adjust if necessary.

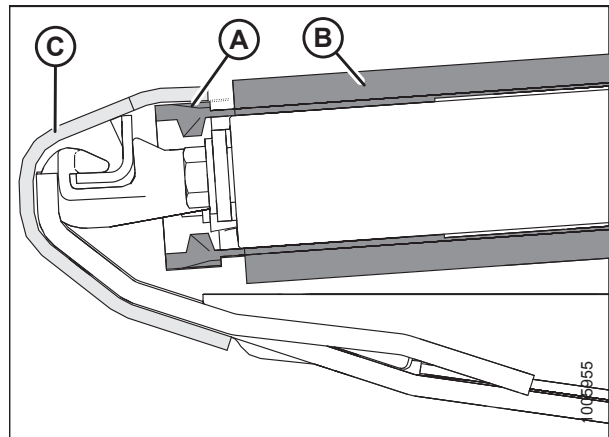


Figure 5.110: Draper Seal

9. If adjustment of the backsheet deflector (A) is required, loosen nut (D) and move the deflector until there is a 1–7 mm (1/32–5/16 in.) gap (C) between the draper (B) and the deflector.
10. Operate the drapers with the engine at idle so the talc or talc/graphite lubricant makes contact and adheres to the draper seal surfaces.

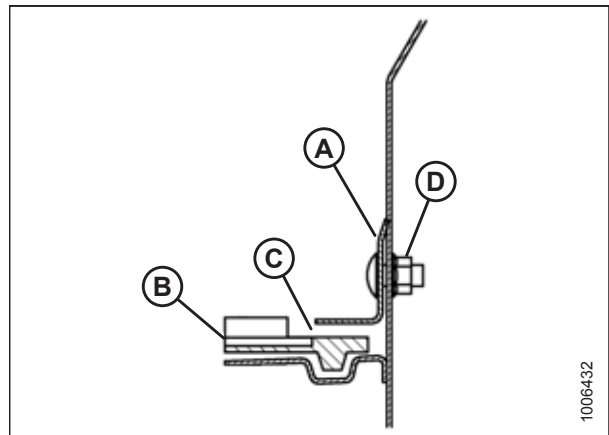


Figure 5.111: Draper Seal

5.7.3 Adjusting Draper Tension

⚠ WARNING

To avoid bodily injury or death from unexpected start-up or fall of raised machine, always stop engine, remove key, and engage safety props before going under machine for any reason.

1. Ensure the white indicator bar (A) is at the halfway point in the window.

⚠ WARNING

Check to be sure all bystanders have cleared the area.

2. Start the engine and fully raise the header.
3. Shut down the windrower, and remove the key from the ignition.
4. Engage the header safety props.

5. Ensure the draper guide (the rubber track on the underside of the draper) is properly engaged in the groove (A) on the drive roller.

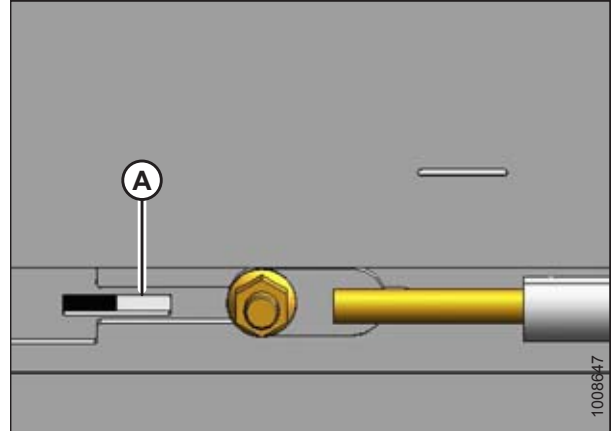


Figure 5.112: Left Side Tension Adjuster Shown – Right Side Opposite

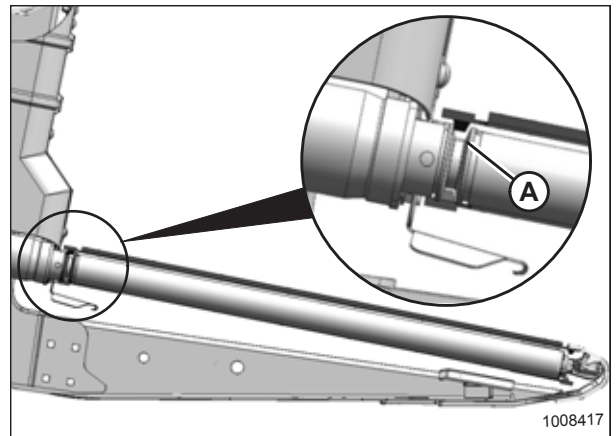


Figure 5.113: Drive Roller

MAINTENANCE AND SERVICING

6. Ensure the idler roller (A) is between the draper guides (B).

NOTE:

The drapers are tensioned at the factory and rarely need adjustment. If adjustment is required, tension the drapers just enough to prevent slipping and to keep the draper from sagging below the cutterbar.

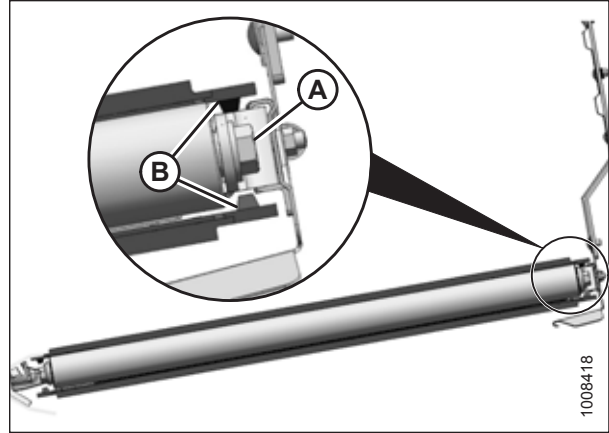


Figure 5.114: Idler Roller

IMPORTANT:

Do **NOT** adjust nut (C). This nut is used for draper alignment only.

7. To loosen the adjuster bolt (A), turn it counterclockwise. The white indicator bar (B) will move outboard in the direction of arrow (D) to indicate that the draper is loosening. Loosen until the white indicator bar is at the halfway point in the window.
8. To tighten the adjuster bolt (A), turn it clockwise. The white indicator bar (B) will move inboard in the direction of arrow (E) to indicate that the draper is tightening. Tighten until the white indicator bar is at the halfway point in the window.

IMPORTANT:

- To avoid premature failure of the draper, draper rollers, and/or tightener components, do not operate with the tension set so the white bar is not visible.
- To prevent scooping dirt, ensure the draper is tight enough that it does not sag below the point where the cutterbar contacts the ground.

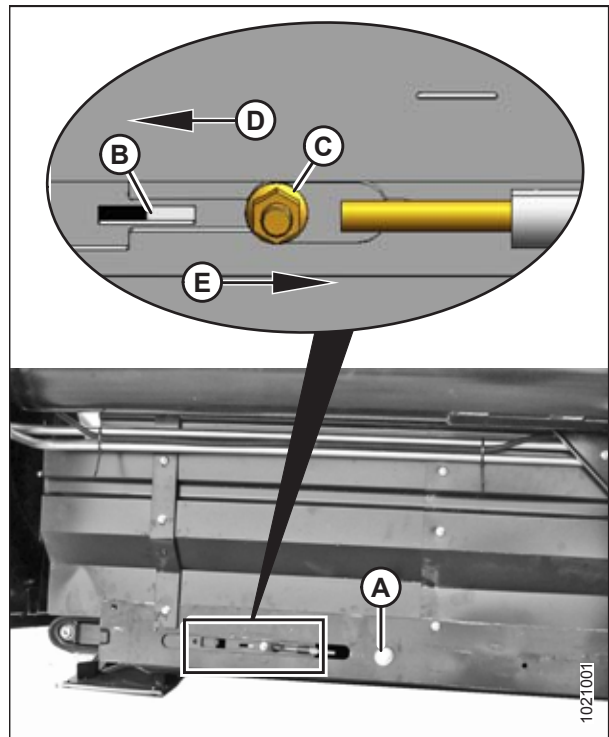


Figure 5.115: Left Side Tension Adjuster Shown – Right Side Opposite

5.7.4 Adjusting Draper Tracking

The draper tracking is adjusted by aligning the drive and idler draper rollers.

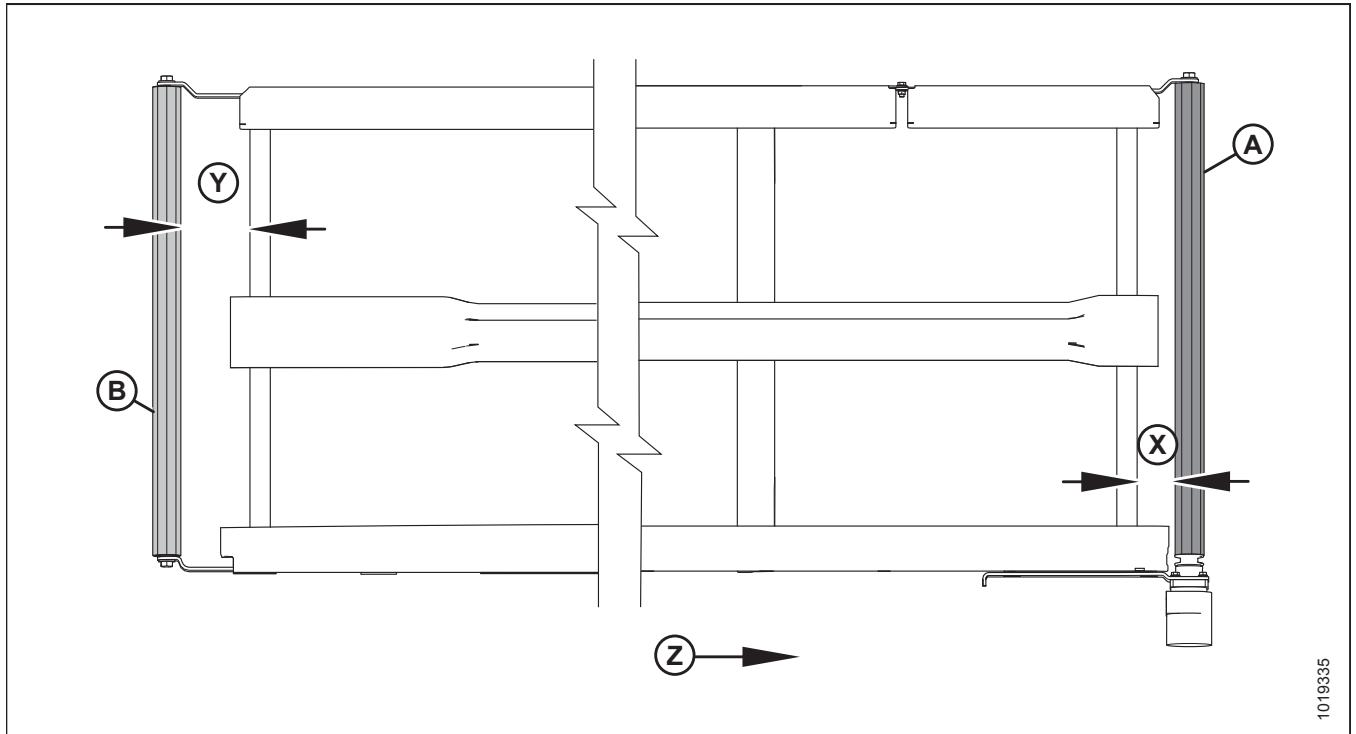
CAUTION

To avoid personal injury, before servicing machine or opening drive covers, refer to *5.1 Preparing Machine for Servicing, page 113*.

NOTE:

The images shown in the following procedure are applicable to the left draper deck. Use opposite views for the right draper deck.

Figure 5.116: Draper Tracking Adjustments



A - Drive Roller
X - Drive Roller Adjust

B - Idler Roller
Y - Idler Roller Adjust

Z - Draper Direction

1. Refer to the following table to determine which roller requires adjustment and which adjustments are necessary.

Table 5.5 Header Draper Tracking

Tracking	At Location	Adjustment	Method
Backward	Drive roller	Increase X	Tighten nut (E)
Forward	Drive roller	Decrease X	Loosen nut (E)
Backward	Idler roller	Increase Y	Tighten nut (H)
Forward	Idler roller	Decrease Y	Loosen nut (H)

MAINTENANCE AND SERVICING

2. Adjust drive roller (A) to change **X** (refer to Table 5.5, page 181) as follows:

- a. Loosen nuts (C) and jam nut (D).
- b. Turn the adjuster nut (E).

NOTE:

Some parts removed from illustration for illustration purposes.

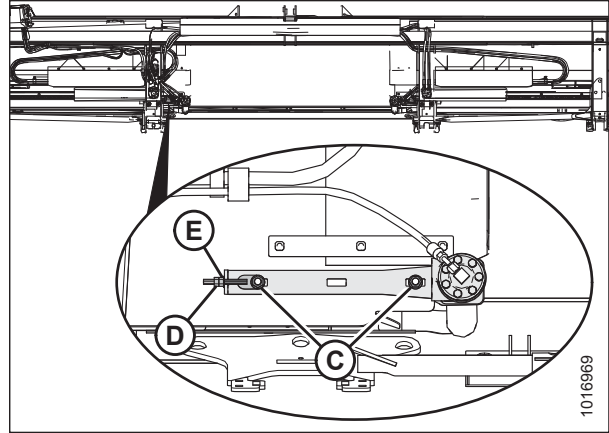


Figure 5.117: Left Deck Drive Roller (Right Opposite)

3. Adjust idler roller (B) to change **Y** (refer to Table 5.5, page 181) as follows:

- a. Loosen nut (F) and jam nut (G).
- b. Turn the adjuster nut (H).

NOTE:

If the draper does not track at the idler roller end after the idler roller adjustment, the drive roller is likely not square to the deck. Adjust the drive roller, and then readjust the idler roller.

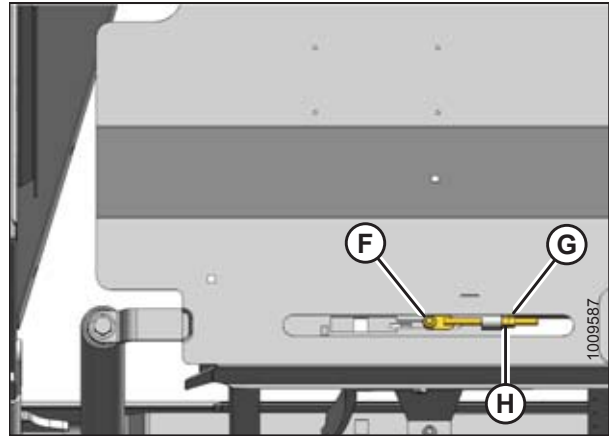


Figure 5.118: Left Deck Idler Roller (Right Opposite)

5.7.5 Adjusting Deck Height

DANGER

To avoid bodily injury or death from unexpected start-up or fall of raised machine, always stop engine, remove key, and engage safety props before going under header for any reason.

IMPORTANT:

New factory-installed drapers are pressure and heat checked at the factory. The gap between draper and cutterbar is set to 0–3 mm (0–1/8 in.). This is to prevent material from entering into the side drapers and stalling them. You may need to decrease the deck clearance to 0–1 mm (1/16 in.).

MAINTENANCE AND SERVICING

1. Shut down the windrower, and remove key from ignition.
2. Check that clearance (A) between draper (B) and cutterbar (C) is 0–3 mm (0–1/8 in.).

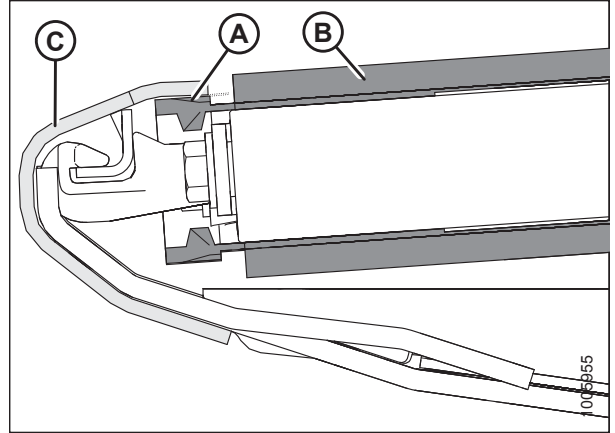


Figure 5.119: Draper Seal

3. Take measurement at deck supports (A) with the header in working position. Depending on the header size, there are between two and five supports per deck.
4. Loosen the draper tension. Refer to [5.7.3 Adjusting Draper Tension, page 179](#).

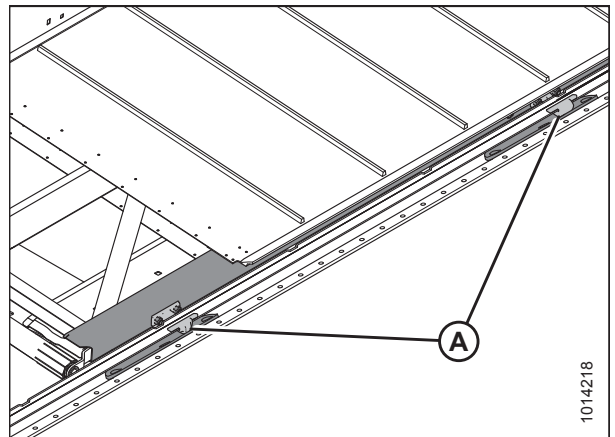


Figure 5.120: Draper Deck Supports

5. Lift the front edge of draper (A) past cutterbar (B) to expose the deck support.
6. Measure and note the thickness of the draper belt.

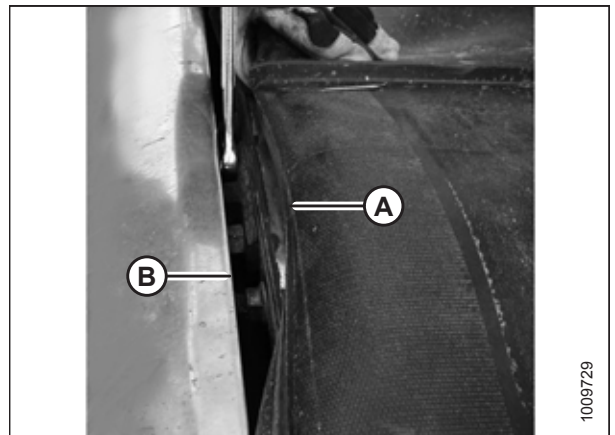


Figure 5.121: Deck Adjustment

MAINTENANCE AND SERVICING

- Loosen the two lock nuts (A) on deck support (B) **ONE HALF-TURN ONLY**.

NOTE:

The number of deck supports (B) is determined by the header reels: four on single-reel headers, and eight on double-reel headers.

- Tap deck (C) to lower the deck relative to the deck supports. Tap deck support (B) using a punch to raise the deck relative to the deck supports.

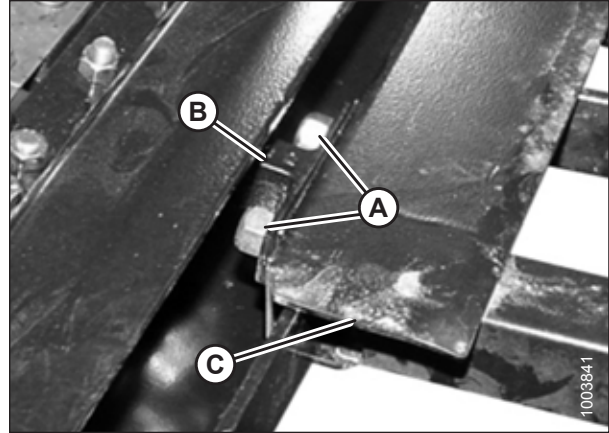


Figure 5.122: Deck Support

- To create a seal, adjust deck (A) so that clearance (B) between cutterbar (C) and deck is 1 mm (1/16 in.) plus the draper thickness as measured in Step 6, [page 183](#).
- Tighten deck support hardware (D).
- Recheck gap (B). Refer to Step 9, [page 184](#).
- Tension the draper. Refer to [5.7.3 Adjusting Draper Tension, page 179](#).

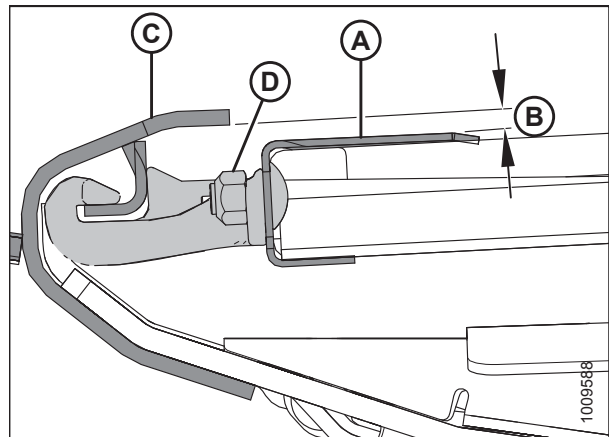


Figure 5.123: Deck Support

- If required, adjust the backsheet deflector (A) by loosening nut (D) and moving the deflector until there is a 1–7 mm (1/32–5/16 in.) gap (C) between draper (B) and the deflector.

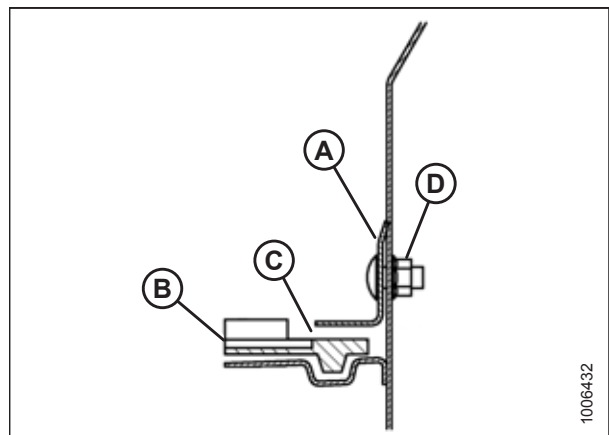


Figure 5.124: Backsheet Deflector

5.7.6 Draper Roller Maintenance

The draper rollers have non-greaseable bearings; however, the external seal should be checked every 200 hours (more frequently in sandy conditions) to achieve maximum bearing life.

Inspecting Draper Roller Bearing

Using an infrared thermometer, check for bad draper roller bearings as follows:

1. Engage the header and run the drapers for approximately three minutes.
2. Check the temperature of the draper roller bearings at each of the roller arms (A), (B), and (C) on each deck. Ensure the temperature does not exceed 44°C (80°F) above the ambient temperature.

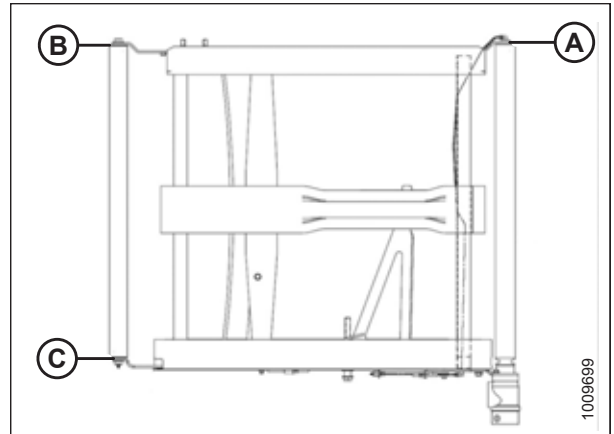


Figure 5.125: Roller Arms

Draper Deck Idler Roller

Removing Draper Idler Roller



To avoid bodily injury or death from unexpected start-up or fall of a raised machine, always stop engine and remove key before leaving the operator's seat, and always engage safety props before going under the machine for any reason.

NOTE:

If the draper connector is not visible, engage the header until the connector is accessible (preferably close to the outboard end of the deck).

1. Start the engine, raise the header, and raise the reel.
2. Shut down the windrower, and remove the key from the ignition.
3. Engage the reel safety props, and engage the header safety props.
4. Loosen the draper by turning adjuster bolt (A) counterclockwise.

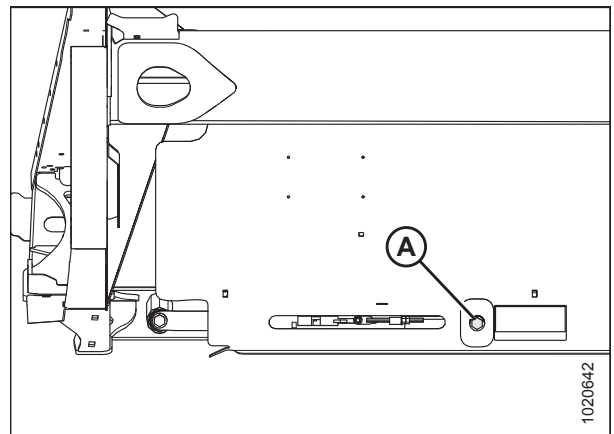


Figure 5.126: Tensioner

MAINTENANCE AND SERVICING

5. Remove the screws (A), tube connectors (B), and nuts from the draper joint to uncouple the draper.
6. Pull the draper off the idler roller.

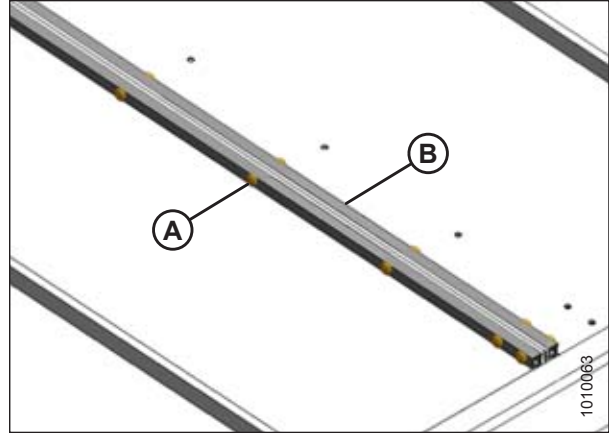


Figure 5.127: Draper Connector

7. Remove the bolts (A) and washer at both ends of the idler roller.

NOTE:

Remove the bolt at the back of the deck first. This will give you extra room to access the bolt under the cutterbar.

8. Spread the roller arms (B) and (C), and remove the idler roller.

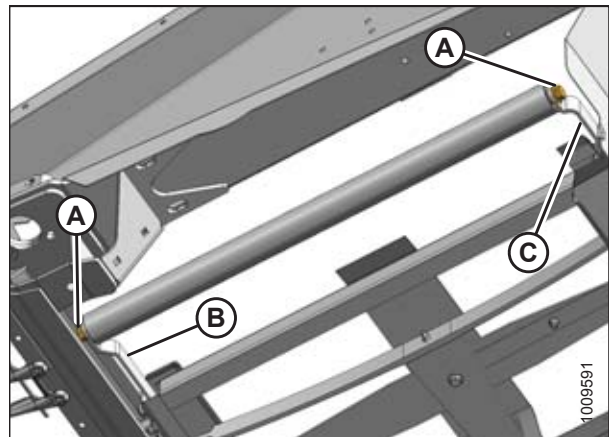


Figure 5.128: Idler Roller

Replacing Draper Idler Roller Bearing

1. Remove draper deck idler roller. Refer to [Removing Draper Idler Roller, page 185](#).
2. Clamp the idler roller (A) in a vise, with cloth wrapped around the roller to prevent damage to the roller.
3. Use a slide hammer to remove bearing assembly (B) and seal (C) from the roller.

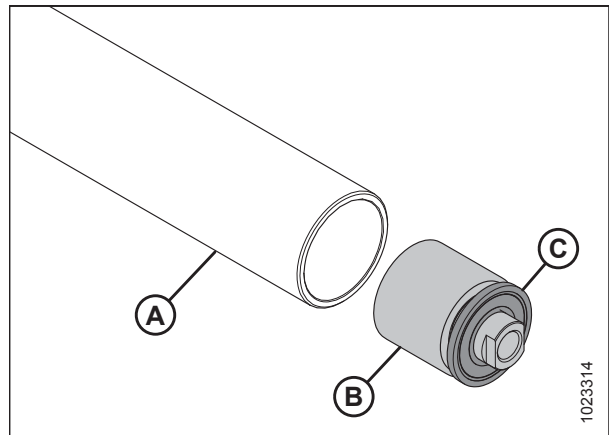


Figure 5.129: Idler Roller Bearing and Seal

MAINTENANCE AND SERVICING

IMPORTANT:

When installing the new bearing, do **NOT** place the end of the roller directly onto the ground. The bearing assembly (A) protrudes past the roller tube (B), and placing the end on the ground will push the bearing farther into the tube.

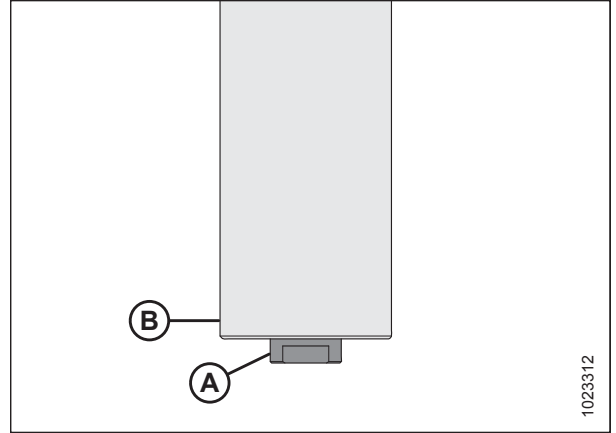


Figure 5.130: Idler Roller

4. Cut a relief (A) into a block of wood.
5. Place the end of idler roller (B) onto the block, with the protruding bearing assembly inside relief (A).

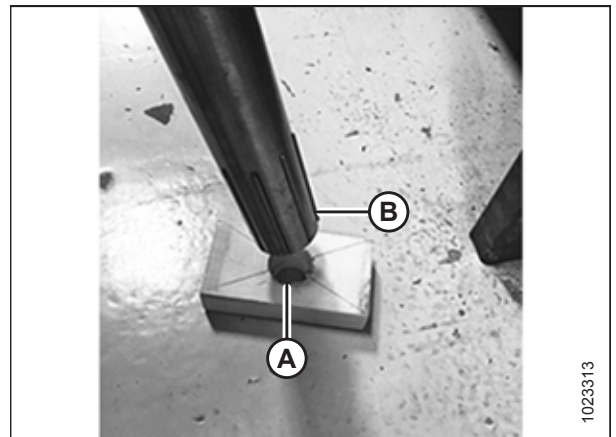


Figure 5.131: Idler Roller

6. Install the new bearing assembly (C) by pressing the outer race of the bearing into the tube until it is 14–15 mm (9/16–19/32 in.) (B) from the outside edge of the tube.

NOTE:

Before installing new seal, fill area (A) with approximately 8 pumps of grease.

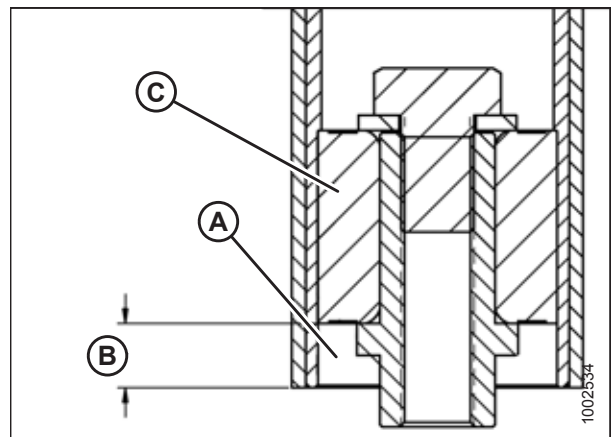


Figure 5.132: Idler Roller Bearing

MAINTENANCE AND SERVICING

7. Install new seal (A) by pressing on the inner and outer race of the seal until it is 3–4 mm (1/8–3/16 in.) (B) from the outside edge of the tube.

NOTE:

The seal can be oriented in either direction.

8. Reinstall idler roller. Refer to *Installing Draper Idler Roller*, page 188.

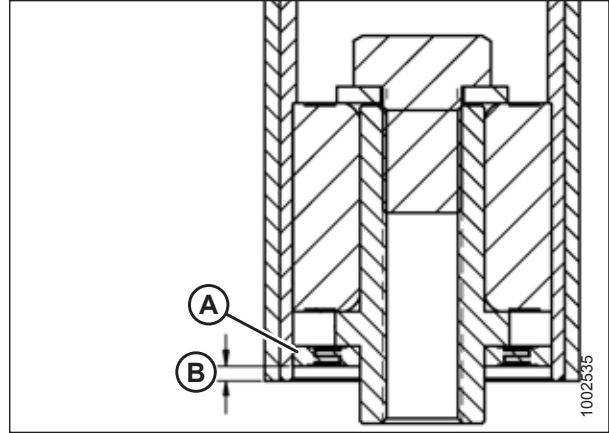


Figure 5.133: Idler Roller Bearing

Installing Draper Idler Roller

1. Install idler roller (A) between the idler arms (B), and secure with two bolts (C) and washers. Tighten bolts to 95 Nm (70 lbf-ft).

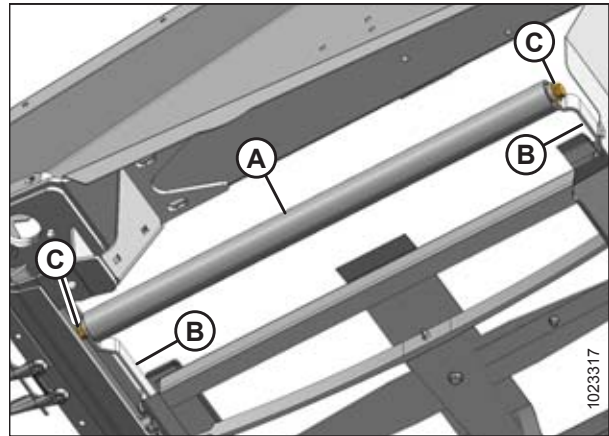


Figure 5.134: Idler Roller

2. Attach the screws (A), tube connectors (B), and nuts to the draper joint to couple the draper. Have the bolt heads leading in the direction of travel.

NOTE:

Use channel lock pliers to bring the tube connectors (B) together. Place the draper seal under the cutterbar.

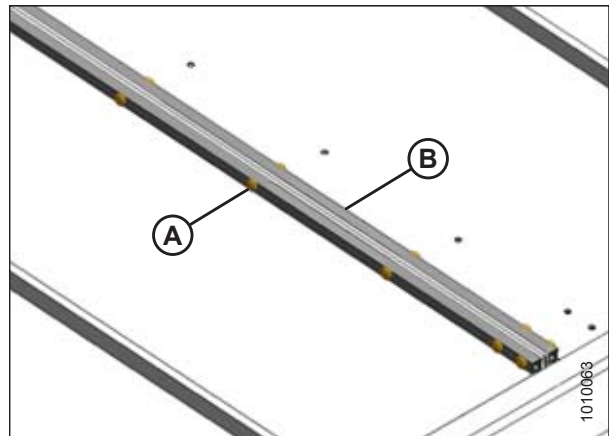


Figure 5.135: Draper Connector

MAINTENANCE AND SERVICING

3. Tighten the draper by turning adjuster bolt (A) clockwise.

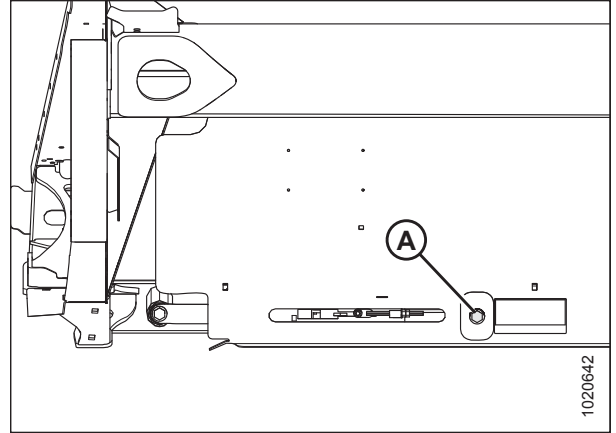


Figure 5.136: Draper Tensioner

4. Disengage the reel and header safety props.

CAUTION

Check to be sure all bystanders have cleared the area.

5. Start the engine and lower the header and reel.
6. Run machine to verify that draper tracks correctly. Refer to [5.7.4 Adjusting Draper Tracking, page 181](#) if further adjustment is necessary.

Draper Deck Drive Roller

Removing Draper Drive Roller

DANGER

To avoid bodily injury or death from unexpected start-up or fall of a raised machine, always stop engine and remove key before leaving the operator's seat, and always engage safety props before going under the machine for any reason.

NOTE:

If the draper connector is not visible, engage the header until the connector is accessible (preferably close to the outboard end of the deck).

1. Start the engine, raise the header, and raise the reel.
2. Shut down the windrower, and remove the key from the ignition.
3. Loosen the draper by turning the adjuster bolt (A) counterclockwise.

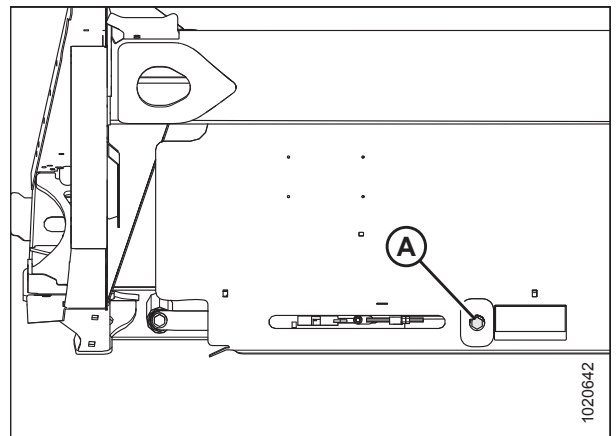


Figure 5.137: Draper Tensioner

MAINTENANCE AND SERVICING

4. Remove the tube connectors (B), screws (A), and nuts from the draper joint to uncouple the draper.
5. Pull the draper off the drive roller.

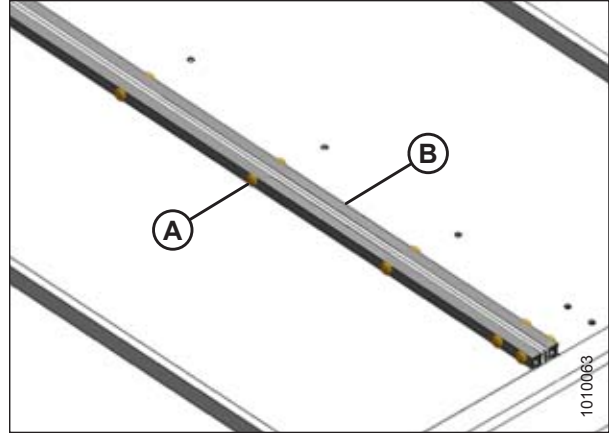


Figure 5.138: Draper Connector

6. Align the setscrews with the hole (A) in the guard. Remove the two setscrews holding the motor onto the drive roller.

NOTE:

The setscrews are 1/4 turn apart.

7. Remove the four bolts (B) securing the motor to the drive roller arm.

NOTE:

It may be necessary to remove the plastic shield (C) to gain access to the top bolt.

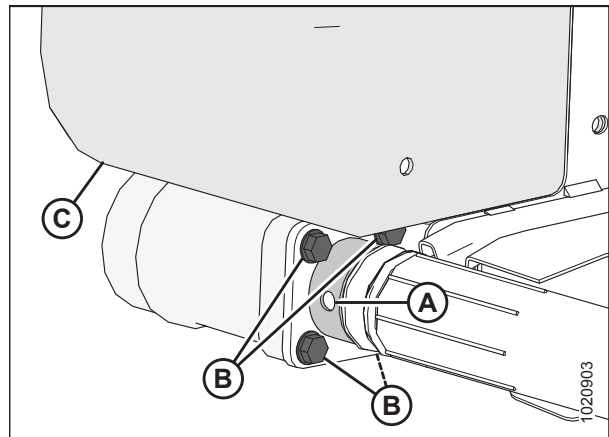


Figure 5.139: Drive Roller

8. Remove the bolt (A) securing the opposite end of the drive roller (B) to the support arm.
9. Remove the drive roller (B).

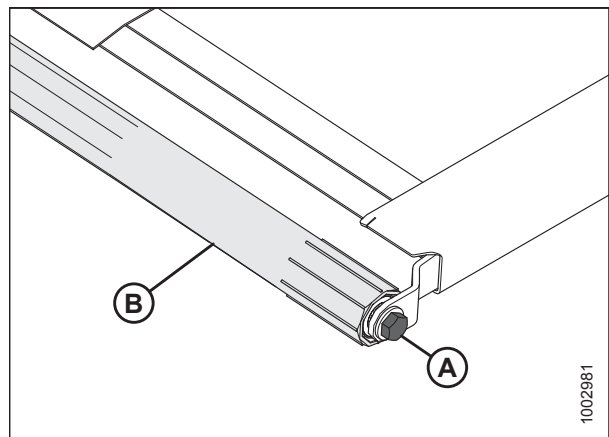


Figure 5.140: Drive Roller

MAINTENANCE AND SERVICING

Replacing Draper Drive Roller Bearing

1. Remove draper idler roller assembly. Refer to *Removing Draper Drive Roller*, page 189.
2. Remove bearing assembly (A) and seal (B) from roller tube (C) as follows:
 - a. Attach a slide hammer (D) to threaded shaft (E) in bearing assembly.
 - b. Tap out the bearing assembly (A) and seal (B).
3. Clean inside of roller tube (C). Check tube for wear or damage, and replace if necessary.

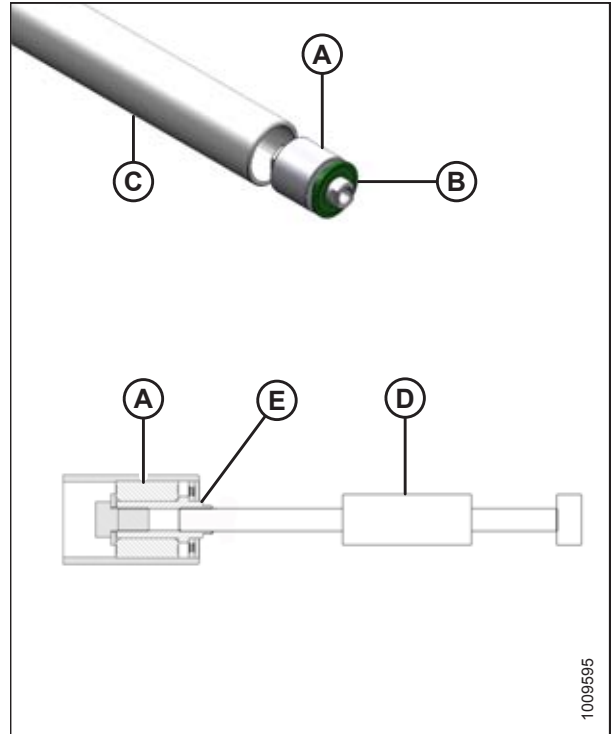


Figure 5.141: Drive Roller Bearing

4. Install new bearing assembly (A) into roller by pushing on the outer race of the bearing. The bearing is properly positioned when a dimension of 14 mm (9/16 in.) (B) is achieved.
5. Apply approximately 8 pumps of high temperature extreme pressure (EP) performance with 1% max. molybdenum disulphide (NLGI Grade 2) lithium base grease in front of bearing.
6. Position seal (C) at roller opening, and position a flat washer (1.0 in. I.D. x 2.0 in. O.D.) onto seal.
7. Tap seal into roller opening using a suitable socket on the washer until it seats on the bearing assembly (A). Seal (C) is properly positioned when a dimension of 3 mm (1/8 in.) (D) is achieved.

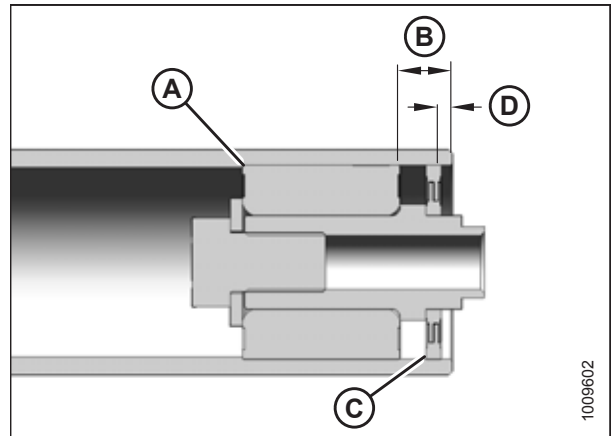


Figure 5.142: Drive Roller Bearing

MAINTENANCE AND SERVICING

Installing Draper Drive Roller

1. Position the drive roller (B) between the roller support arms.
2. Install the bolt (A) to secure the drive roller to the arm closest to the cutterbar. Torque bolt to 95 Nm (70 lbf·ft).
3. Grease the motor shaft and insert into the end of the drive roller (B).

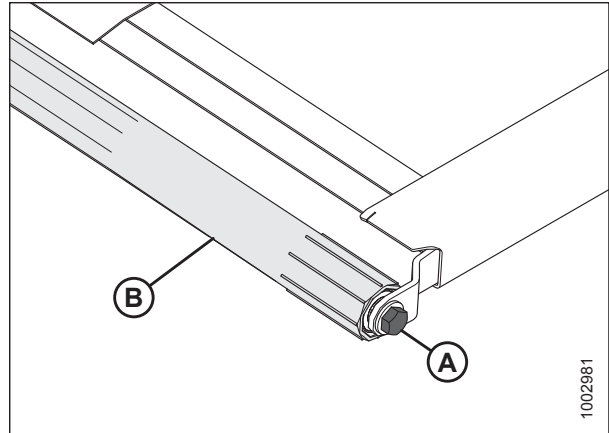


Figure 5.143: Drive Roller

4. Secure the motor to the roller support with four bolts (B). Torque to 27 Nm (20 lbf·ft).

NOTE:

Tighten any loosened bolts and reinstall the plastic shield (C) if previously removed.

5. Ensure the motor is all the way into the roller, and tighten the two setscrews (not shown) through the access hole (A).

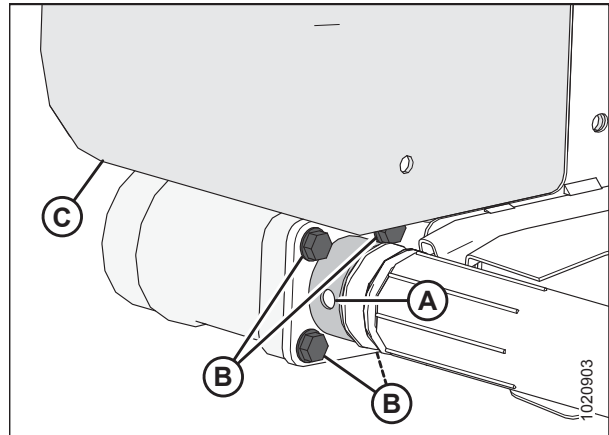


Figure 5.144: Drive Roller

6. Wrap the draper over the drive roller and attach the ends of the draper using the tube connectors (B), screws (A), and nuts.

NOTE:

The heads of the screws must face the center opening.

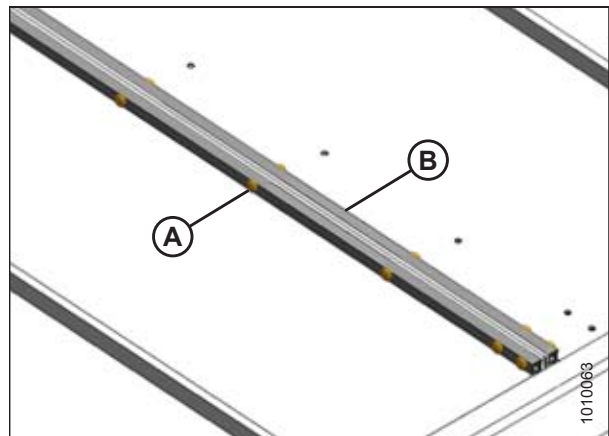


Figure 5.145: Draper Connector

MAINTENANCE AND SERVICING

7. Tension the draper. Locate adjuster bolt (A) and follow the directions on the decal (B) or refer to [5.7.3 Adjusting Draper Tension, page 179](#) for the proper draper tensioning.
8. Disengage the reel and header safety props.
9. Start the engine and lower the header and reel.
10. Run the machine to verify the draper tracks correctly. Refer to [5.7.4 Adjusting Draper Tracking, page 181](#) if further adjustment is necessary.

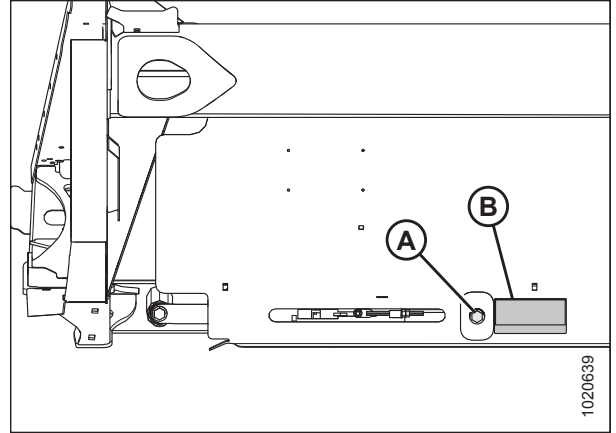


Figure 5.146: Draper Tensioner (Left Side Shown, Right Opposite)

5.7.7 Draper Deflectors

Removing Narrow Draper Deflectors

Narrow draper deflectors can reduce bunching at the ends of the header when decks are set for center delivery.

DANGER

To avoid bodily injury or death from unexpected start-up or fall of a raised machine, always stop engine and remove key before leaving the operator's seat, and always engage safety props before going under the machine for any reason.

1. Raise the reel to its full height and lower the header to the ground.
2. Shift the decks to create a work space at one end of the header if hydraulic deck shift is installed; otherwise, move the decks manually after shutting down the windrower.
3. Stop the engine, remove the key, and engage the reel safety props.
4. Open the endshield. Refer to [Opening Endshields, page 35](#).
5. Remove two Torx® head screws (A) and lock nuts.
6. Remove three carriage bolts (B) and lock nuts and remove the aft deflector (C).

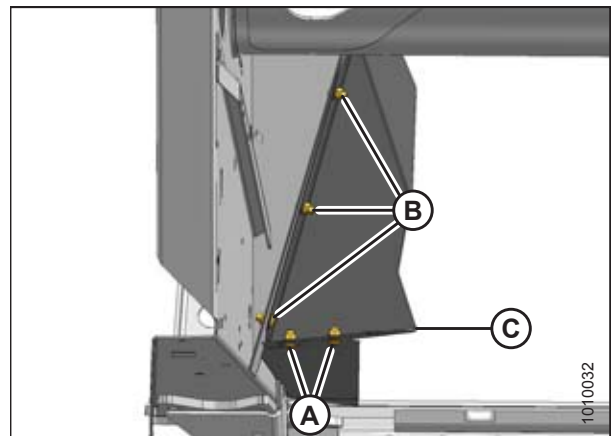


Figure 5.147: Aft Deflector

MAINTENANCE AND SERVICING

7. Remove four screws (A) and remove the deflector (B).
8. Repeat for the opposite end of the header.

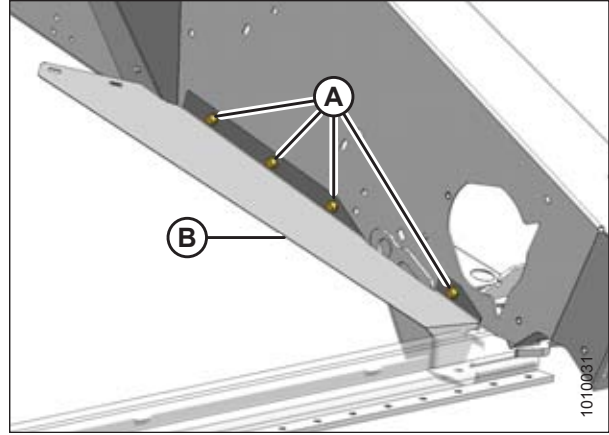


Figure 5.148: Forward Deflector

Installing Narrow Draper Deflectors

Narrow draper deflectors can reduce bunching at the ends of the header when decks are set for center delivery.

DANGER

To avoid bodily injury or death from unexpected start-up or fall of a raised machine, always stop engine and remove key before leaving the operator's seat, and always engage safety props before going under the machine for any reason.

1. Raise the reel to its full height and lower the header to the ground.
2. Shift the decks to create a work space at one end of the header if hydraulic deck shift is installed; otherwise, move the decks manually after shutting down the windrower. Refer to [3.9.1 Shifting Decks Hydraulically, page 81](#) for instructions if hydraulic deck shift is installed.
3. Stop the engine, remove the key, and engage the reel safety props.
4. Open the endshield. Refer to [Opening Endshields, page 35](#).
5. Position the forward deflector (B) onto the endsheet and temporarily install forward and aft $3/8 \times 5/8$ in. self tapping screws (A).
6. Check the fit of the forward end of the deflector (B) on the cutterbar and ensure there is no gap between the deflector and cutterbar. Remove and bend the deflector as required to obtain the best fit.
7. Install two $3/8 \times 5/8$ in. self tapping screws (A) and tighten all four screws.

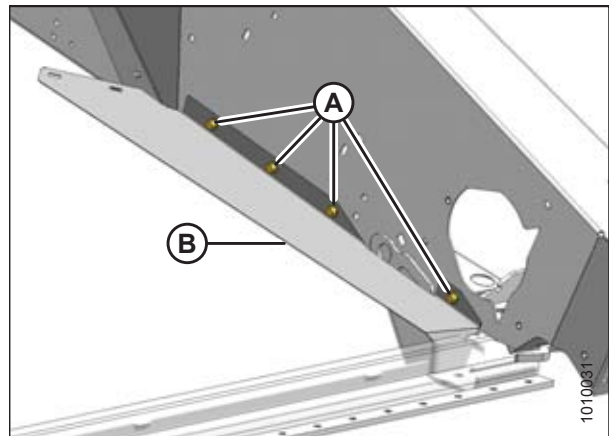


Figure 5.149: Forward Deflector

MAINTENANCE AND SERVICING

8. Position the aft deflector (C) as shown and install three 3/8 x 3/4 in. carriage bolts (B) and lock nuts.
9. Install two Torx® head screws (A) and lock nuts with the heads facing down.
10. Tighten all fasteners.
11. Repeat for the opposite end of the header.

NOTE:

Draper deflector may be damaged by reel tines if reel height is set incorrectly. Refer to [3.7.8 Reel Height](#), [page 65](#).

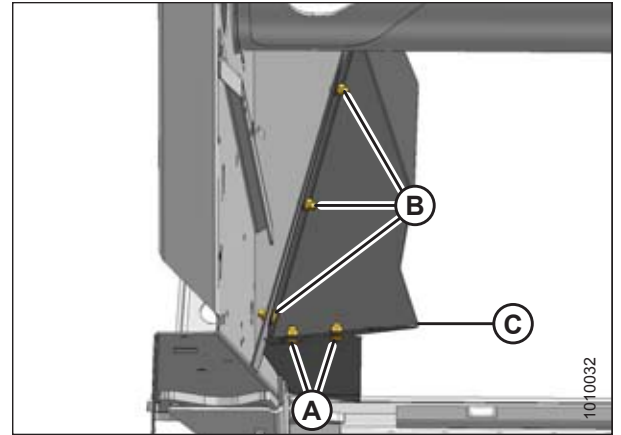


Figure 5.150: Aft Deflector

5.8 Reel

CAUTION

To avoid personal injury, before servicing machine or opening drive covers, refer to [5.1 Preparing Machine for Servicing, page 113](#).

5.8.1 Reel Clearance to Cutterbar

The minimum clearance between the reel fingers and the cutterbar ensures that the reel fingers do not contact the cutterbar during operation. The clearance is set at the factory, but some adjustment may be necessary before operation.

The finger to guard/cutterbar clearances with reels fully lowered are shown in [Table 5.6, page 196](#).

Table 5.6 Finger to Guard/Cutterbar Clearance

Header Width	(X) 3 mm (+/- 1/8 in.) at Reel Ends	
	Single Reel	Double Reel
4.6 m (15 ft.)	20 mm (3/4 in.)	—
6.1 m (20 ft.)	20 mm (3/4 in.)	—
7.6 m (25 ft.)	25 mm (1 in.)	—
9.1 m (30 ft.)	55 mm (2-11/64 in.)	25 mm (1 in.)
10.7 m (35 ft.)	70 mm (2-3/4 in.)	25 mm (1 in.)
12.2 m (40 ft.)	—	25 mm (1 in.)
13.7 m (45 ft.)	—	25 mm (1 in.)

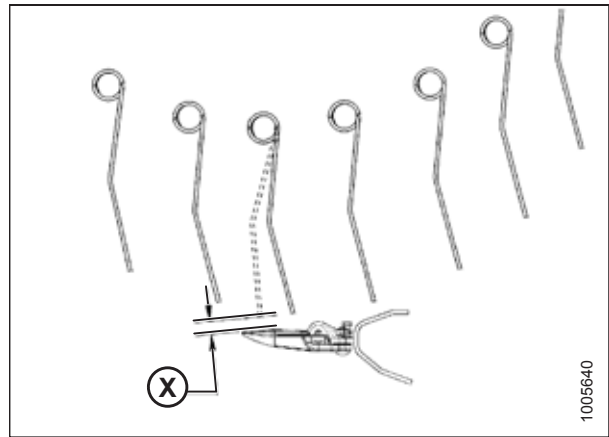


Figure 5.151: Finger Clearance

MAINTENANCE AND SERVICING

Measuring Reel Clearance

DANGER

To avoid bodily injury or death from unexpected start-up or fall of raised machine, always stop engine, remove key, and engage safety props before going under header for any reason.

1. Park the header on level ground.
2. Set the fore-aft position to the middle position 5 on the fore-aft position decal (A).
3. Lower the reel fully.
4. Shut down the engine and remove key from the ignition.

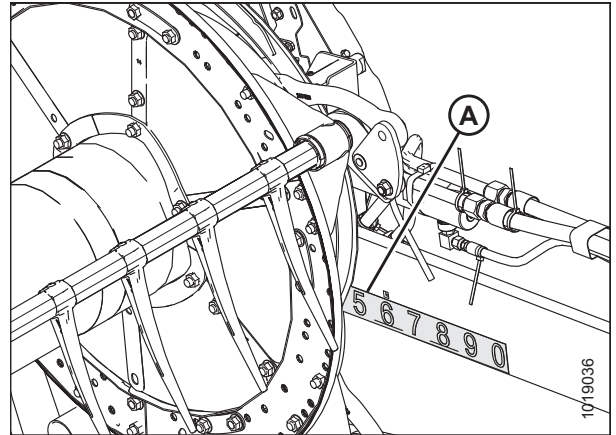


Figure 5.152: Fore-Aft Position

MAINTENANCE AND SERVICING

5. Measure the clearance (X) at all possible points of contact (between points [B] and [C] at the ends of each reel [A]) as shown in Figures 5.154, page 198 and 5.155, page 198.

NOTE:

The reel is factory-set to provide more clearance at the center of the reel than at the ends (frown) to compensate for reel flexing.

NOTE:

When measuring reel clearance at the center of a double-reel header, measure the lowest reel.

6. Check all possible points of contact between points (B) and (C). Depending on the reel fore-aft position, minimum clearance can result at the guard tine, hold-down, or cutterbar.
7. Adjust the reel if necessary. Refer to *Adjusting Reel Clearance*, page 199.

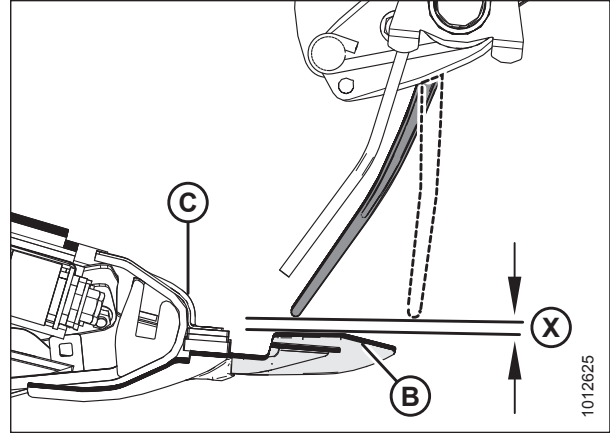


Figure 5.153: Reel Clearance

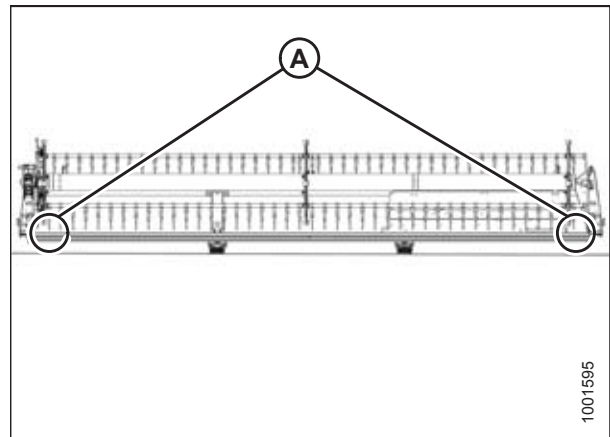


Figure 5.154: Single Reel Measurement Locations (Two Places)

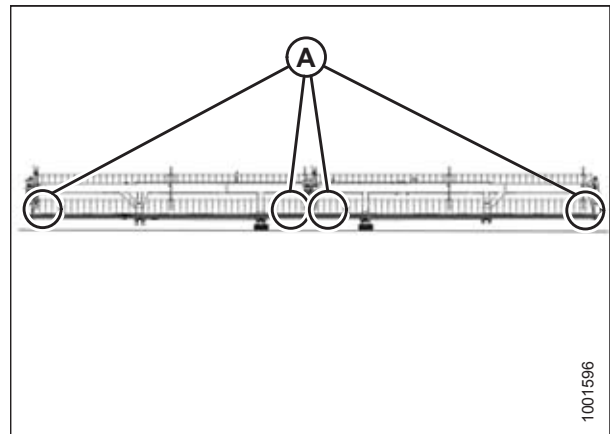


Figure 5.155: Double Reel Measurement Locations (Four Places)

Adjusting Reel Clearance

⚠ DANGER

To avoid bodily injury or death from unexpected start-up or fall of raised machine, always stop engine, remove key, and engage safety props before going under header for any reason.

1. Shut down the engine, and remove the key from the ignition.
2. Adjust outboard reel arm lift cylinders to set clearance at outboard ends of reel as follows:
 - a. Loosen bolt (A).
 - b. Turn cylinder rod (B) out of clevis to raise reel and increase clearance to cutterbar, or turn cylinder rod into clevis to lower reel and decrease clearance.
 - c. Tighten bolt (A).
 - d. Repeat at opposite side.

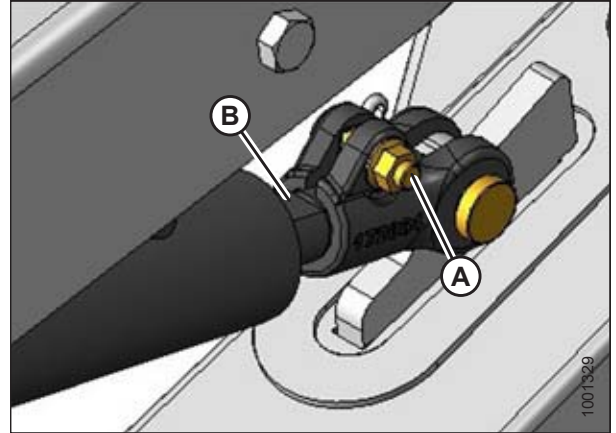


Figure 5.156: Outside Reel Arm

3. **For double reel:** Adjust center arm lift cylinder stop (A) to change clearance at inboard ends of reels as follows:
 - a. Loosen nut (B).
 - b. Turn nut (C) counterclockwise to raise reel and increase clearance to cutterbar, or clockwise to lower reel and decrease clearance.
 - c. Tighten nut (B).

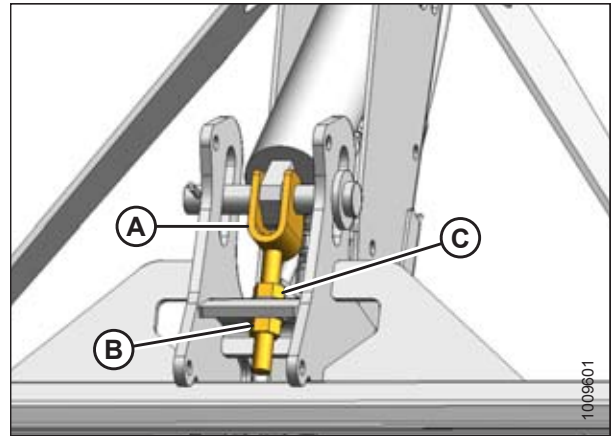


Figure 5.157: Underside of Center Arm

4. Check measurements and if necessary, repeat adjustment procedures.
5. Move reel back to ensure steel end fingers do not contact deflector shields.
6. If contact occurs, adjust reel upward to maintain clearance at all reel fore-aft positions. If contact cannot be avoided after adjusting the reel, trim steel end fingers to obtain proper clearance.
7. Periodically check for evidence of contact, and adjust clearance as required.

5.8.2 Reel Frown

The reel is factory-set to frown (provide more clearance at the center of the reel than at the ends) to compensate for reel flexing.

Adjusting Reel Frown

WARNING

To avoid bodily injury or death from unexpected startup of machine, always stop engine and remove key before making adjustments to machine.

Adjust the frown by repositioning the hardware connecting the reel tube arms to the reel discs.

NOTE:

Measure the frown profile before disassembling the reel for servicing so the profile can be maintained during reassembly.

1. Position the reel over the cutterbar (between **4** and **5** on the fore-aft position decal [A]) to provide adequate clearance at all reel fore-aft positions.
2. Record the measurement at each reel disc location for each reel tube.
3. Shut down the engine, and remove the key from the ignition.

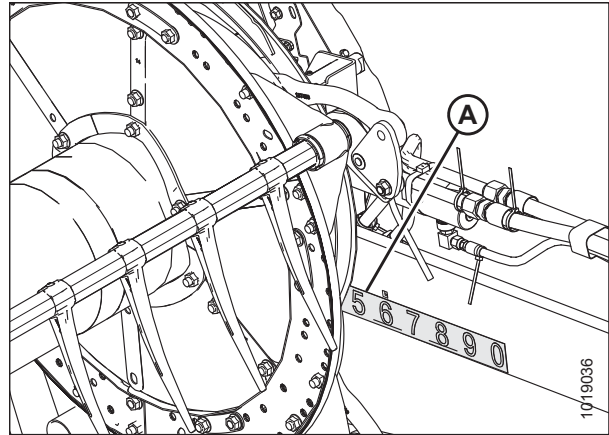


Figure 5.158: Fore-Aft Position Decal

4. Start with the reel disc closest to the center of the header and proceed outward towards the ends adjusting the header profile as follows:
 - a. Remove bolts (A).
 - b. Loosen the bolt (B) and adjust arm (C) until the desired measurement is obtained between the reel tube and cutterbar.

NOTE:

Allow the reel tubes to curve naturally and position the hardware accordingly.

- c. Reinstall the bolts (A) in the aligned holes and tighten.

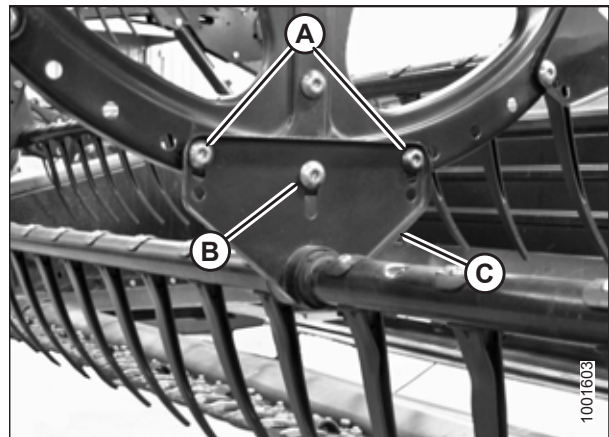


Figure 5.159: Reel Arm

5.8.3 Centering the Reel

To check and center the reel, follow these steps:

⚠ DANGER

To avoid bodily injury or death from unexpected start-up of machine, always stop engine and remove key from ignition before leaving operator's seat for any reason.

⚠ CAUTION

Never start or move the machine until you are sure all bystanders have cleared the area.

Centering Double Reels

⚠ WARNING

To avoid bodily injury or death from unexpected startup of machine, always stop engine and remove key before making adjustments to machine.

1. Loosen bolts (A) on each brace (B) located on both sides of the reel center support arm (C).
2. Move the forward end of the reel center support arm (C) laterally as required, to center both reels.
3. Tighten bolts (A) and torque to 359 Nm (265 lbf-ft).

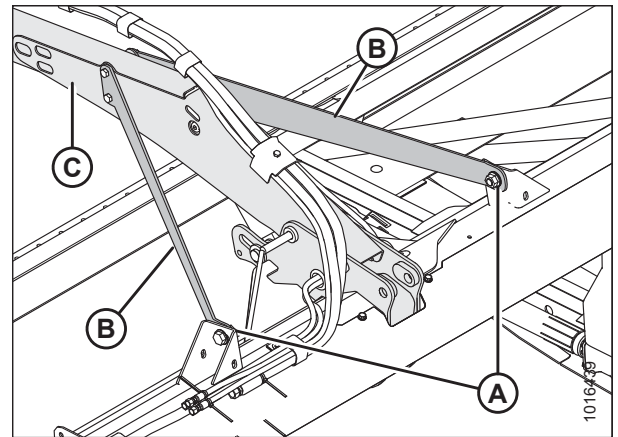


Figure 5.160: Reel Center Support Arm

Centering Single Reel

⚠ WARNING

To avoid bodily injury or death from unexpected startup of machine, always stop engine and remove key before making adjustments to machine.

1. Loosen bolt (A) on the brace (B) at both ends of the reel.
2. Move the forward end of the reel support arm (C) laterally as required, to center the reel.
3. Tighten bolts (A) and torque to 359 Nm (265 lbf-ft).

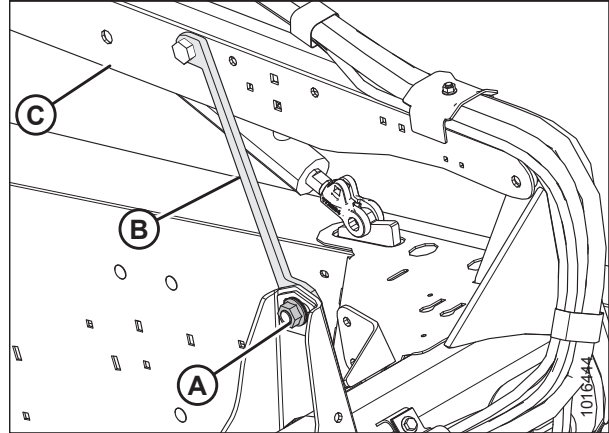


Figure 5.161: Reel Support Arm

5.8.4 Reel Fingers

IMPORTANT:

Keep the reel fingers in good condition and straighten or replace them as necessary.

Removing Steel Fingers

⚠ WARNING

To avoid bodily injury from fall of raised reel, always engage reel safety props before going under raised reel for any reason.

IMPORTANT:

Ensure the tine tube is supported at all times to prevent damage to the tube and other components.

1. Lower the header, raise the reel, and engage the reel safety props.
2. Shut down the windrower, and remove the key from the ignition.
3. Remove the tine tube bushings from the applicable tine tube at the center and left reel discs. Refer to *Removing Bushings from Five-, Six-, or Nine-Bat Reels, page 207*.
4. Attach reel arms (B) (temporarily) to the reel disc at the original attachment locations (A).
5. Cut the damaged finger so it can be removed from the tine tube.
6. Remove bolts from the existing fingers and slide the fingers over to replace the finger that was cut off in Step 4, *page 203* (remove the reel arms [B] from the tine tubes as necessary).

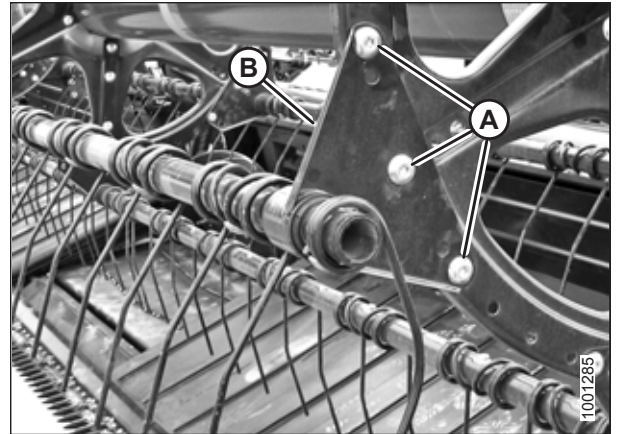


Figure 5.162: Reel Arm

MAINTENANCE AND SERVICING

Installing Steel Fingers

WARNING

To avoid bodily injury from fall of raised reel, always engage reel safety props before going under raised reel for any reason.

IMPORTANT:

Ensure the tine tube is supported at all times to prevent damage to the tube and other components.

1. Remove the applicable finger. Refer to *Removing Steel Fingers, page 203*.
2. Slide the new fingers and reel arm (A) onto the end of the tube.
3. Install the tine tube bushings. Refer to *Installing Bushings on Five-, Six-, or Nine-Bat Reels, page 212*.
4. Attach the fingers to the tine tube with bolts and nuts (B).

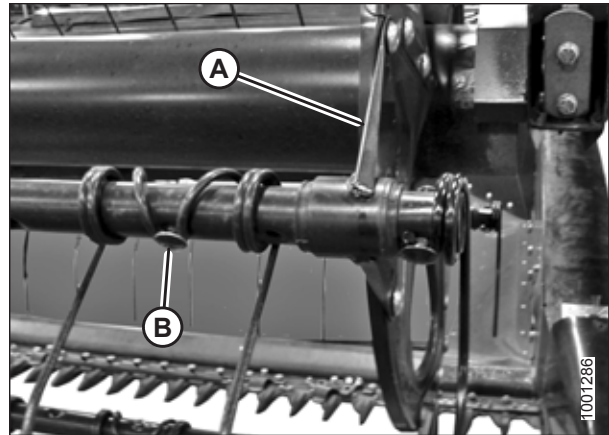


Figure 5.163: Tine Tube

MAINTENANCE AND SERVICING

Removing Plastic Fingers

WARNING

To avoid bodily injury or death from unexpected startup of machine, always stop engine and remove key before making adjustments to machine.

WARNING

To avoid bodily injury from fall of raised reel, always engage reel safety props before going under raised reel for any reason.

1. Shut down the engine and remove key from the ignition.
2. Remove screw (A) using a Torx® Plus 27 IP socket wrench.

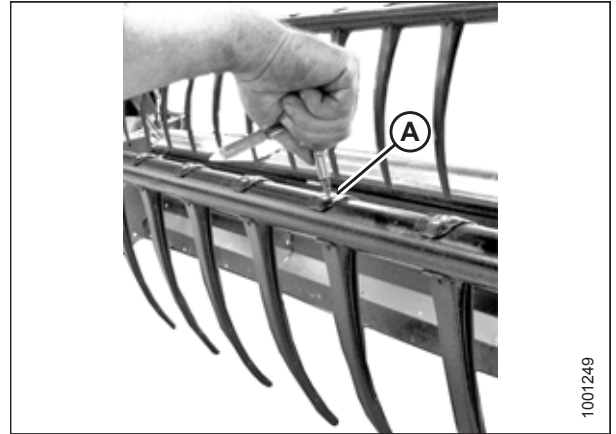


Figure 5.164: Removing Plastic Finger

3. Push the clip at the top of the finger back towards the reel tube as shown and remove the finger from the tube.



Figure 5.165: Removing Plastic Finger

Installing Plastic Fingers

⚠ WARNING

To avoid bodily injury from fall of raised reel, always engage reel safety props before going under raised reel for any reason.

1. Position the finger on the rear of the finger tube and engage the lug at the bottom of the finger in the lower hole in the finger tube.
2. Lift the top flange gently and rotate the finger as shown until the lug in the top of the finger engages the upper hole in the finger tube.



Figure 5.166: Installing Plastic Finger

IMPORTANT:

Do **NOT** apply force to the finger prior to tightening the mounting screw. Applying force without tightening the mounting screw will break the finger or shear the locating pins.

3. Install the screw (A) using a Torx® Plus 27 IP socket wrench and torque to 8.5–9.0 Nm (75–80 lbf-in).

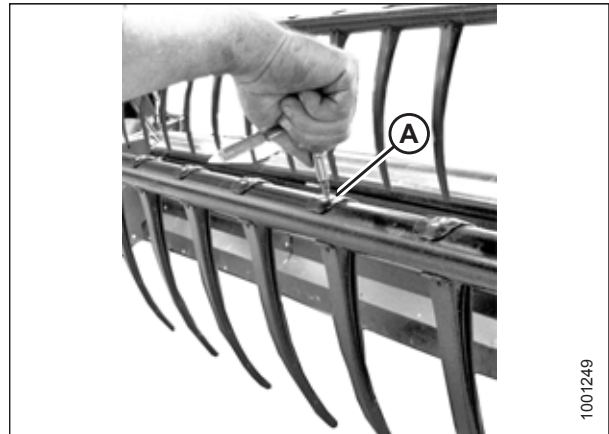


Figure 5.167: Installing Plastic Finger

5.8.5 Tine Tube Bushings

Removing Bushings from Five-, Six-, or Nine-Bat Reels

WARNING

To avoid bodily injury or death from unexpected startup of machine, always stop engine and remove key before making adjustments to machine.

WARNING

To avoid bodily injury from fall of raised reel, always engage reel safety props before going under raised reel for any reason.

IMPORTANT:

Ensure the tine tube is supported at all times to prevent damage to the tube and other components.

1. Lower the header, raise the reel, and engage the reel safety props.
2. Shut down the engine, and remove the key from the ignition.

NOTE:

If replacing only the cam end bushing, refer to Step 8, [page 208](#).

Center disc and tail end bushings

3. Remove the reel endshields and endshield support (C) from the tail end of the reel at the applicable tine tube location.

NOTE:

There are no endshields on the center disc.

4. Remove bolts (A) securing arm (B) to the disc.

IMPORTANT:

Note the hole locations in the arm and disc and ensure the bolts (A) are reinstalled at the original locations.

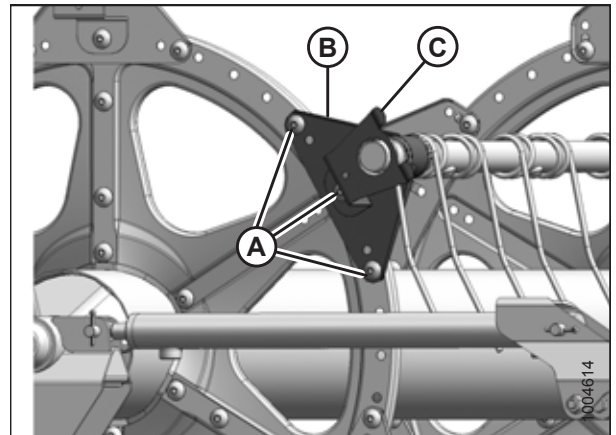


Figure 5.168: Tail End

MAINTENANCE AND SERVICING

5. Release the bushing clamps (A) using a small screwdriver to separate the serrations. Pull the clamp off the tine tube.

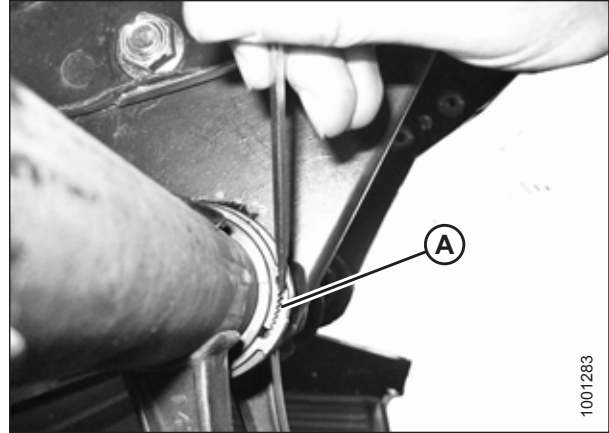


Figure 5.169: Bushing Clamp

6. Rotate the arm (A) until clear of the disc and slide the arm inboard off of bushing (B).
7. Remove the bushing halves (B). If required, remove the next tine or plastic finger so the arm can slide off the bushing. Refer to the following procedures as necessary:
 - [Removing Plastic Fingers, page 205](#)
 - [Removing Steel Fingers, page 203](#)

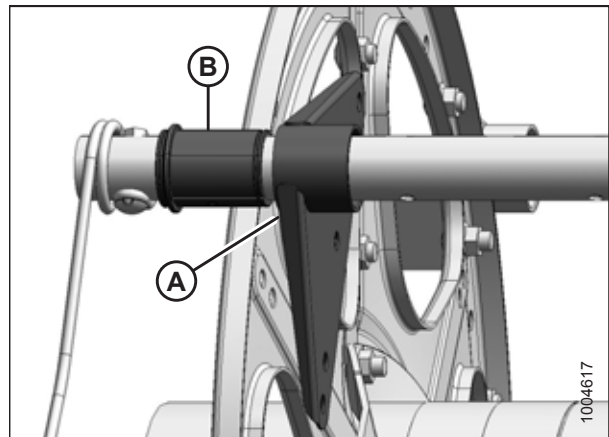


Figure 5.170: Bushing

Cam end bushings

8. Remove the endshields and endshield support (A) at the applicable tine tube location on the cam end.

NOTE:

Removing cam end bushings requires the tine tube be moved through the disc arms to expose the bushing.

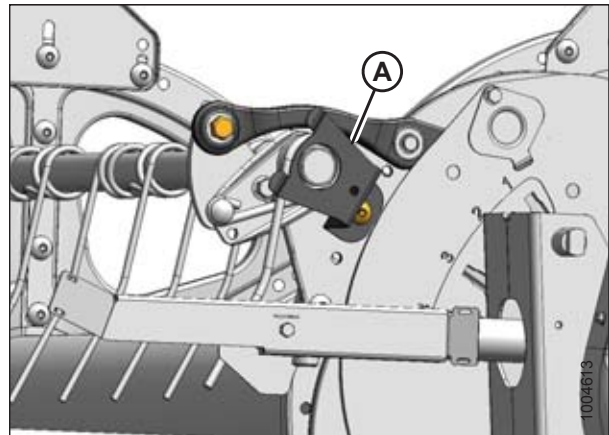


Figure 5.171: Cam End

MAINTENANCE AND SERVICING

- Remove the reel endshields and endshield support (C) from the tail end of the reel at the applicable tine tube location.

NOTE:

There are no endshields on the center disc.

- Remove the bolts (A) securing the arms (B) to the tail and center discs.

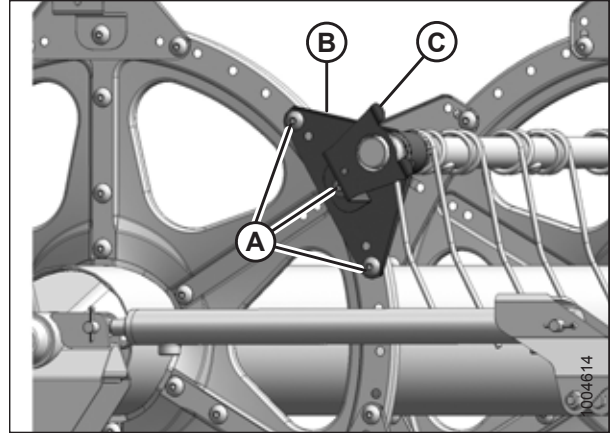


Figure 5.172: Tail End

- Release the bushing clamps or disconnect the support channels from the tine tube support (if installed) depending on which tine tube is being moved. Three tine tubes (A) require channel disconnection and two tine tubes (B) require only bushing clamp removal.

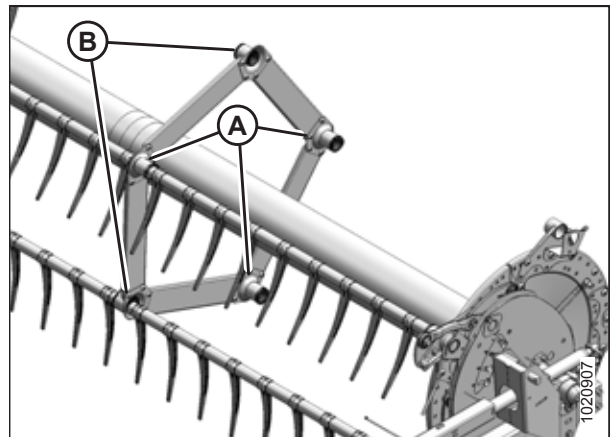


Figure 5.173: Tine Tube Supports

- Remove bolt (A) from the cam linkage so the tine tube (B) is free to rotate.

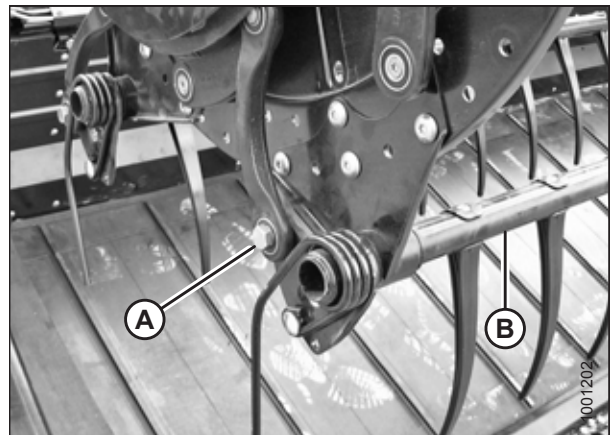


Figure 5.174: Cam End

MAINTENANCE AND SERVICING

13. Release the bushing clamps (A) at the cam disc using a small screwdriver to separate the serrations. Move the clamps off the bushings.

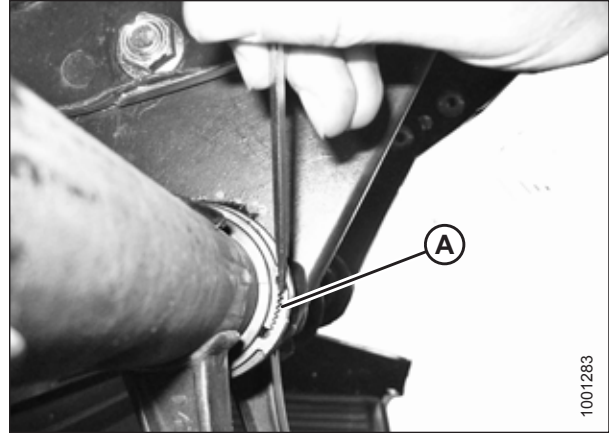


Figure 5.175: Bushing Clamp

14. Slide the tine tube (A) outboard to expose the bushing (B).
15. Remove the bushing halves (B). If required, remove the next tine or plastic finger so the arm can slide off the bushing. Refer to the following procedures if necessary:
 - [Removing Plastic Fingers, page 205](#)
 - [Removing Steel Fingers, page 203](#)

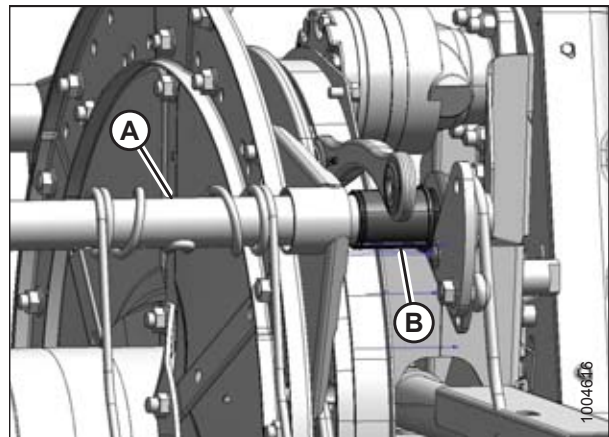


Figure 5.176: Cam End

Tine tube bushings (if installed)

16. Locate the support (A) that requires a new bushing.
17. Remove the four bolts (B) securing channels (C) to the support (A).
18. Remove screw (E) and remove the finger (D) if it is too close to the support to allow access to the bushing. Refer to [Removing Plastic Fingers, page 205](#).

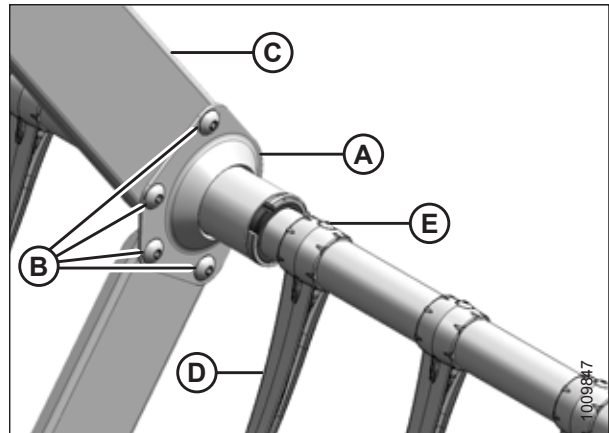


Figure 5.177: Tine Tube Support

MAINTENANCE AND SERVICING

19. Release the bushing clamps (A) using a small screwdriver to separate the serrations.

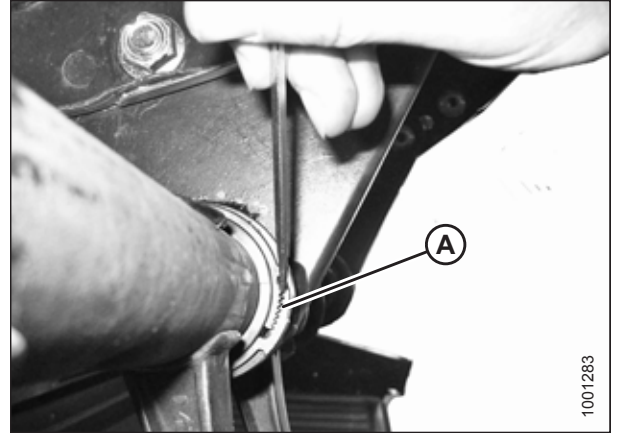


Figure 5.178: Bushing Clamp

20. Move the clamps (A) off the bushings.

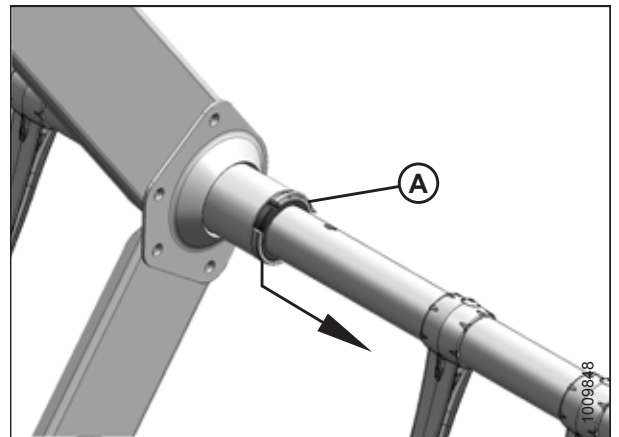


Figure 5.179: Bushing Clamp

21. On each reel, there are three right-facing supports (A). Slide the support off the bushing halves (B).

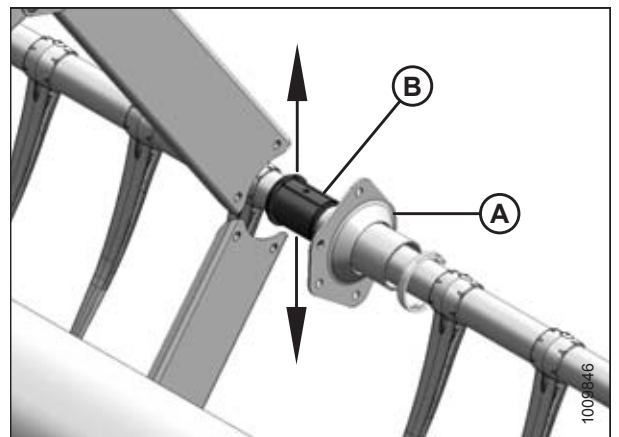


Figure 5.180: Support

MAINTENANCE AND SERVICING

22. On each reel, there are two left-facing supports (A). Rotate the supports until the flanges clear the channels before moving them off the bushing (B). Move the tine tube slightly away from the reel if necessary.
23. Remove the bushing halves (B) from the tine tubes.

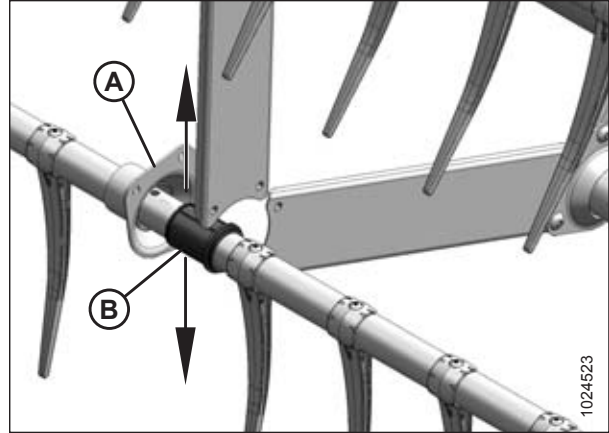


Figure 5.181: Opposite Support

Installing Bushings on Five-, Six-, or Nine-Bat Reels

⚠ WARNING

To avoid bodily injury from fall of raised reel, always engage reel safety props before going under raised reel for any reason.

IMPORTANT:

Ensure tine tube is supported at all times to prevent damage to the tube or other components.

NOTE:

Use a pair of modified channel lock pliers (A) to install bushing clamps (C). Secure pliers in a vise and grind a notch (B) into the end of each arm to fit the clamp as shown.

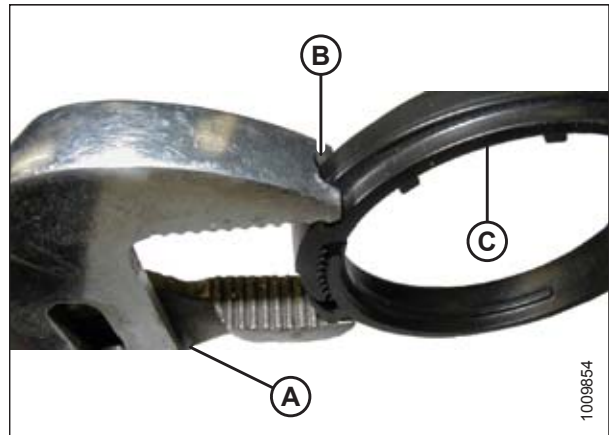


Figure 5.182: Modified Pliers

Cam end bushings

1. Position the bushing halves (B) on the tine tube (A) with the flangeless end adjacent to the reel arm, and position the lug in each bushing half into the hole in the tine tube.
2. Slide the tine tube (A) towards the tail end of the reel to insert the bushing (B) into the reel arm. If the tine tube supports are installed, ensure the bushings at those locations slide into the support.
3. Reinstall the previously removed fingers or tines. Refer to the following procedures as necessary:
 - *Removing Plastic Fingers, page 205*
 - *Removing Steel Fingers, page 203*
4. Install the bushing clamp (A) onto the tine tube adjacent to the flangeless end of the bushing (B).
5. Position the clamp (A) on the bushing (B) so the edges of the clamp and bushing are flush when the clamp is fit into the groove on the bushing and the lock tabs are engaged.

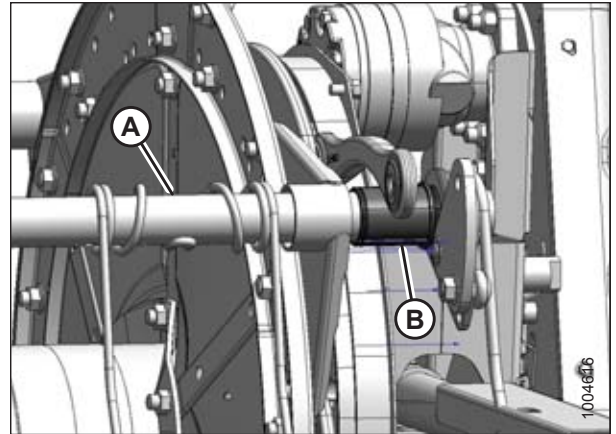


Figure 5.183: Cam End

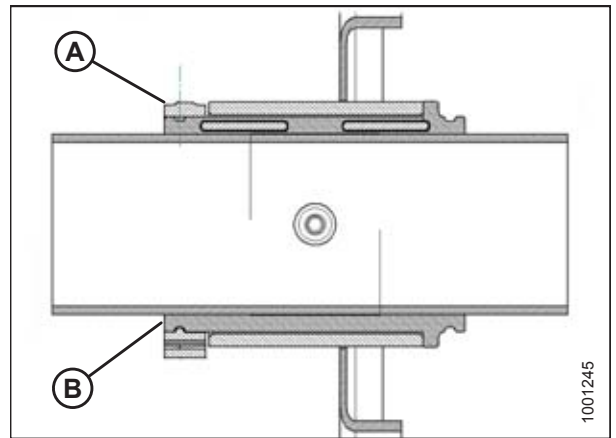


Figure 5.184: Bushing

6. Tighten the clamp (A) using modified channel lock pliers (B) until finger pressure will **NOT** move the clamp.

IMPORTANT:

Overtightening clamp may result in breakage.

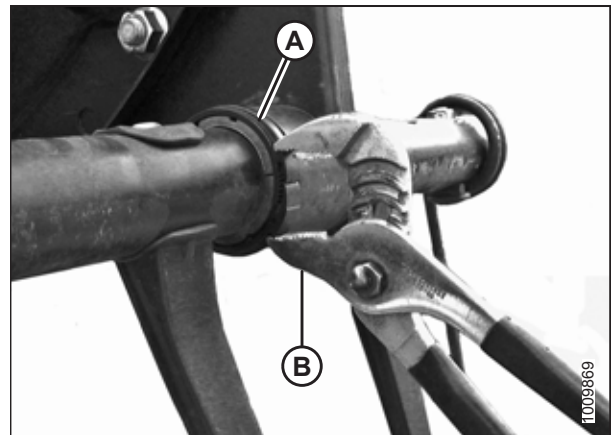


Figure 5.185: Installing Clamp

MAINTENANCE AND SERVICING

7. Line up the tine tube (B) with the cam arm and install bolt (A). Torque bolt to 165 Nm (120 lbf-ft).

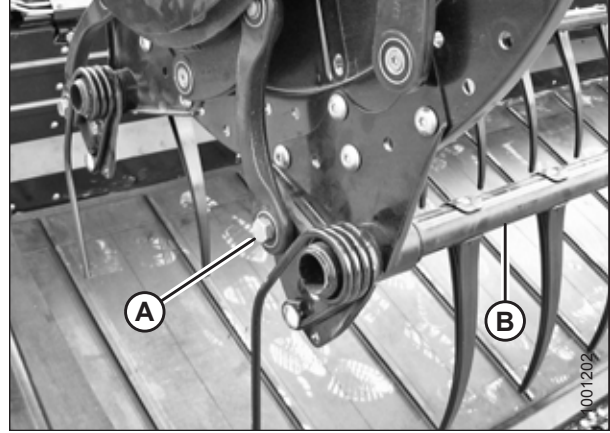


Figure 5.186: Cam End

8. Install the bolts (A) securing the arm (B) to the center disc.
9. Install the reel arm (B) and endshield support (C) to the tail end of the reel at the applicable tine tube location and secure with bolts (A).

NOTE:

There are no endshields on the center discs.

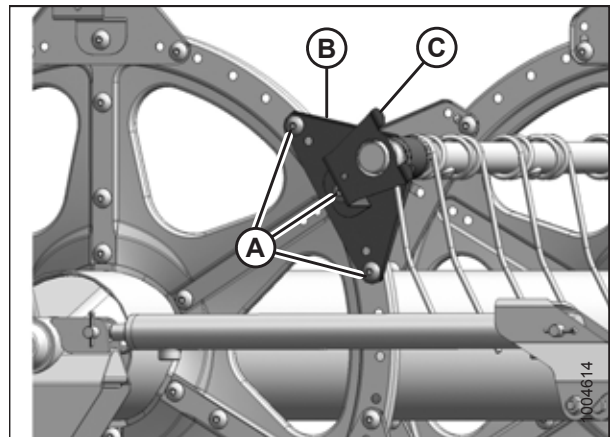


Figure 5.187: Tail End

10. Install the endshield support (A) at the applicable tine tube location at the cam end.
11. Reinstall the reel endshields. Refer to [Replacing Reel Endshields, page 219](#).

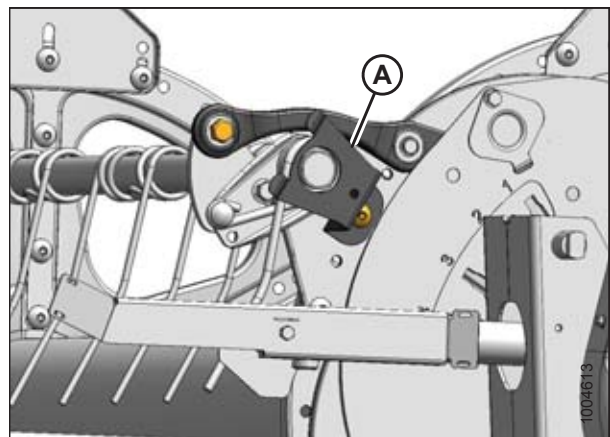


Figure 5.188: Cam End

Center disc and tail end bushings

12. Position the bushing halves (B) on the tine tube (A) with the flangeless end adjacent to the reel arm, and position the lug in each bushing half into the hole in the tine tube.
13. Slide the tine tube (A) onto the bushing (B) and position against the disc at the original location.
14. Reinstall the previously removed fingers or tines. Refer to the following procedures as necessary:

- *Removing Plastic Fingers, page 205*
- *Removing Steel Fingers, page 203*

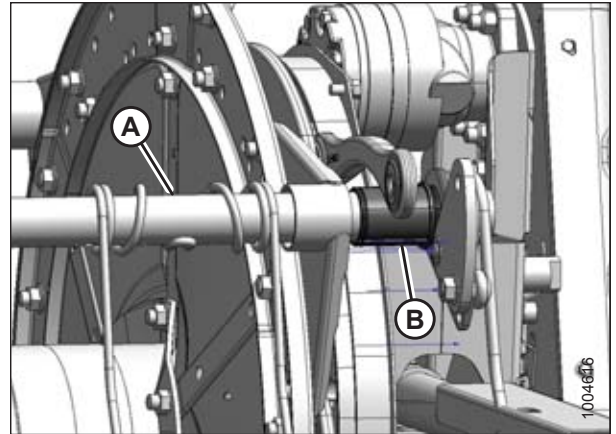


Figure 5.189: Cam End

15. Install the bushing clamp (A) onto the tine tube adjacent to the flangeless end of the bushing (B).
16. Position the clamp (A) on the bushing (B) so the edges of the clamp and bushing are flush when the clamp is fit into the groove on the bushing and the lock tabs are engaged.

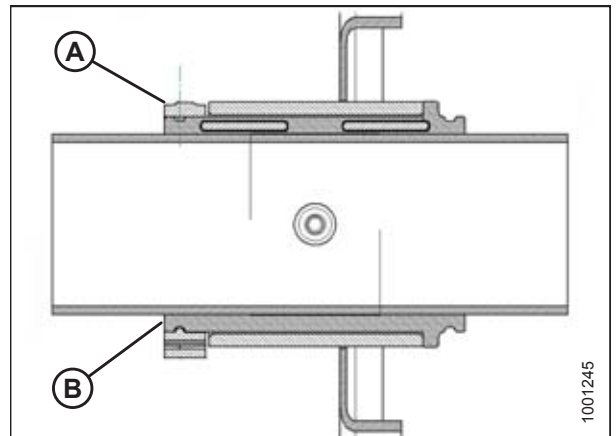


Figure 5.190: Bushing

17. Tighten the clamp (A) using modified channel lock pliers (B) until finger pressure will **NOT** move the clamp.

IMPORTANT:

Overtightening clamp may result in breakage.

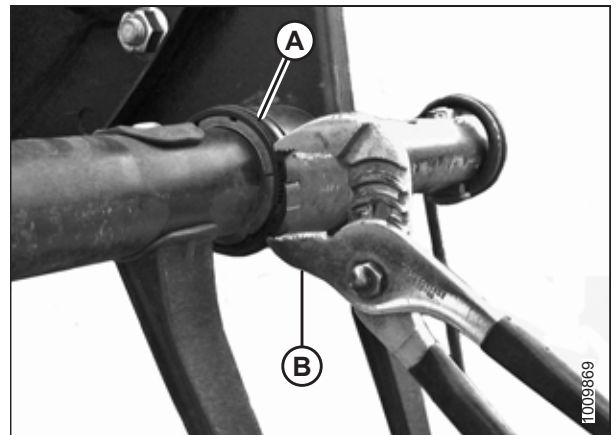


Figure 5.191: Installing Clamp

MAINTENANCE AND SERVICING

18. Install the bolts (A) securing the arm (B) to the center disc.
19. Install the reel arm (B) and endshield support (C) to the tail end of the reel at the applicable tine tube location and secure with bolts (A).

NOTE:

There are no endshields on the center discs.

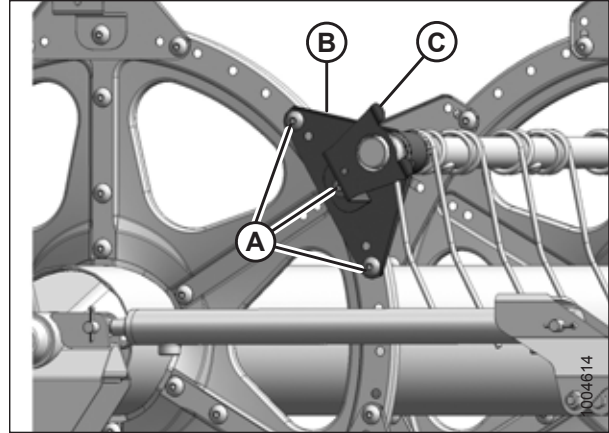


Figure 5.192: Tail End

Tine tube support (if installed) bushings

20. Position the bushing halves (B) on the tine tube (A) with the flangeless end adjacent to the reel arm, and position the lug in each bushing half into the hole in the tine tube.

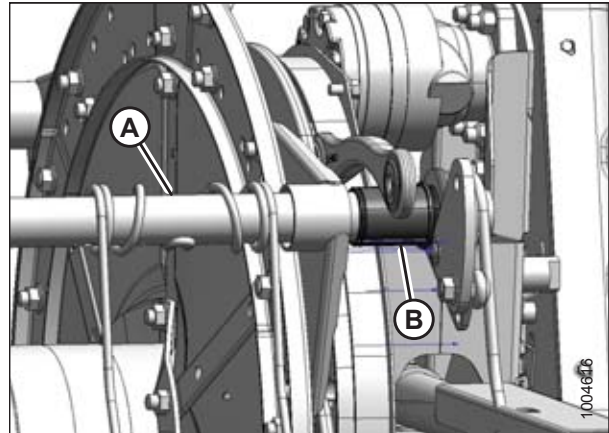


Figure 5.193: Cam End

21. On each reel, there are three right-facing supports (A). Slide the support onto the bushing (B).

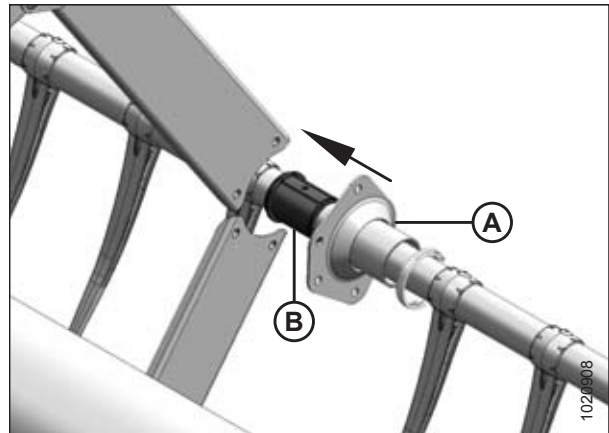


Figure 5.194: Support

MAINTENANCE AND SERVICING

22. On each reel, there are two left-facing supports (A). Rotate the support (A) until its flanges clear the channels (C) before moving the support onto the bushing (B).

NOTE:

If necessary, move the tine tube (D) slightly away from the reel to allow the support flange enough room to clear the channel.

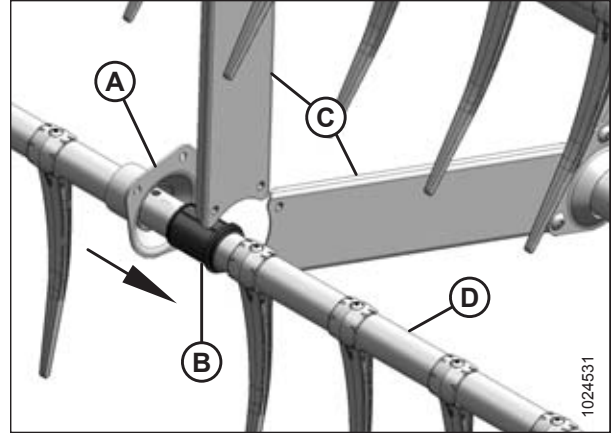


Figure 5.195: Opposite Support

23. Install the bushing clamp (A) onto the tine tube adjacent to the flangeless end of the bushing (B).
24. Position the clamp (A) on the bushing (B) so the edges of the clamp and bushing are flush when the clamp is fit into the groove on the bushing and the lock tabs are engaged.

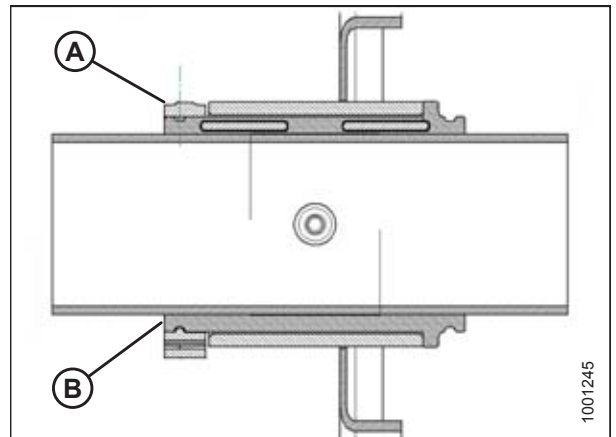


Figure 5.196: Bushing

25. Tighten the clamp (A) using modified channel lock pliers (B) until finger pressure will **NOT** move the clamp.

IMPORTANT:

Overtightening clamp may result in breakage.

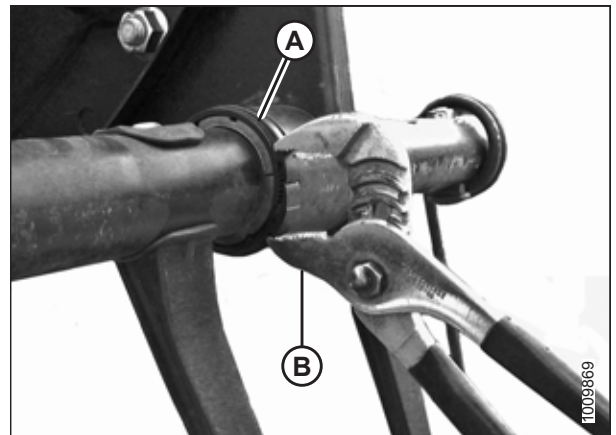


Figure 5.197: Installing Clamp

MAINTENANCE AND SERVICING

26. Reattach the channels (C) to the three right-facing supports (A) on each reel with screws (B) and nuts. Torque screws to 43 Nm (32 lbf-ft).
27. Using screws (E), reinstall any fingers (D) that were previously removed. Refer to *Installing Plastic Fingers*, page 206.

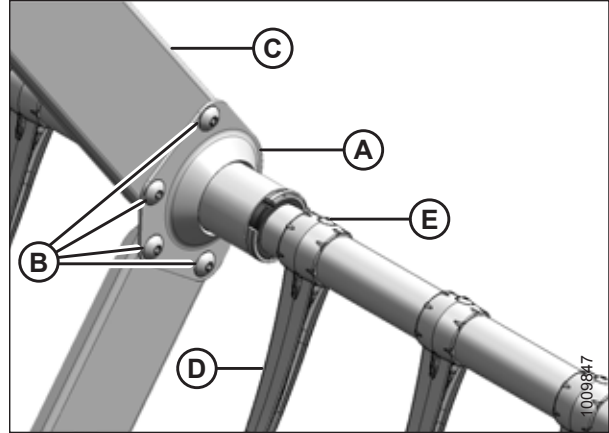


Figure 5.198: Support

28. Reattach the channels (C) to the two left-facing supports (A) on each reel with screws (B) and nuts. Torque screws to 43 Nm (32 lbf-ft).
29. Using screws (E), reinstall any fingers (D) that were previously removed. Refer to *Installing Plastic Fingers*, page 206.

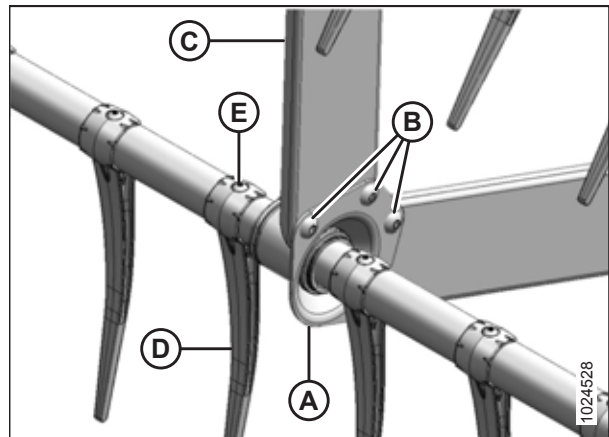


Figure 5.199: Opposite Support

5.8.6 Reel Endshields

Reel endshields and supports do not require regular maintenance, but they should be checked periodically for damage and loose or missing fasteners. Slightly dented or deformed endshields and supports are repairable, but it's necessary to replace severely damaged components.

You can attach reel endshields to either end of the reel.

Replacing Reel Endshields

DANGER

To avoid bodily injury or death from unexpected start-up of machine, always stop engine and remove key from ignition before leaving operator's seat for any reason.

1. Lower the header and reel.
2. Shut down the engine, and remove the key from the ignition.
3. Rotate the reel manually until the reel endshield (A) requiring replacement is accessible.
4. Remove three bolts (B).

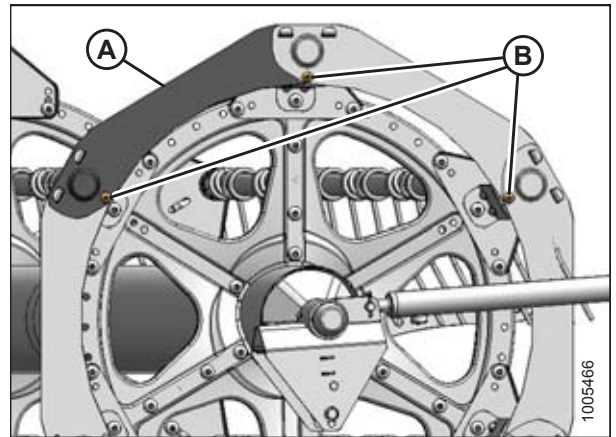


Figure 5.200: Reel Endshields

5. Lift end of reel endshield (A) off support (B).

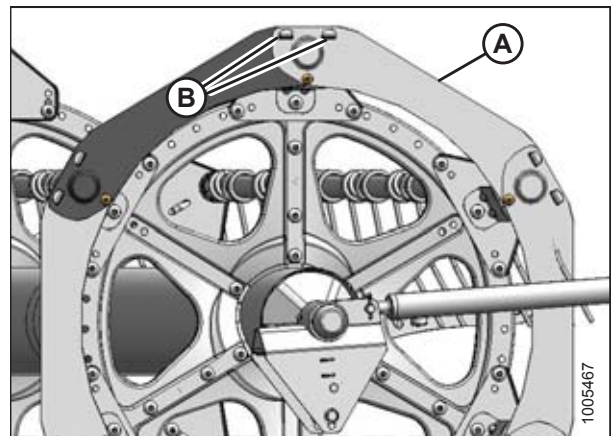


Figure 5.201: Reel Endshields

MAINTENANCE AND SERVICING

6. Remove the reel endshield from the supports.

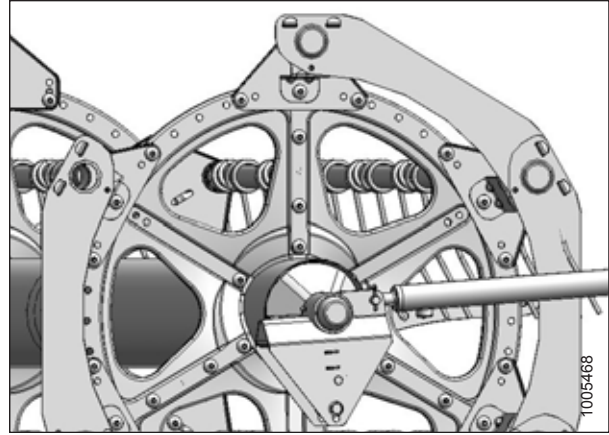


Figure 5.202: Reel Endshields

7. Remove the reel endshield (A) from support (B).
8. Install new reel endshield (C) onto support (B).
9. Reattach reel endshield (A) onto support (B) ensuring it is installed on top of reel endshield (C).
10. Reinstall bolts (D).
11. Tighten all hardware.

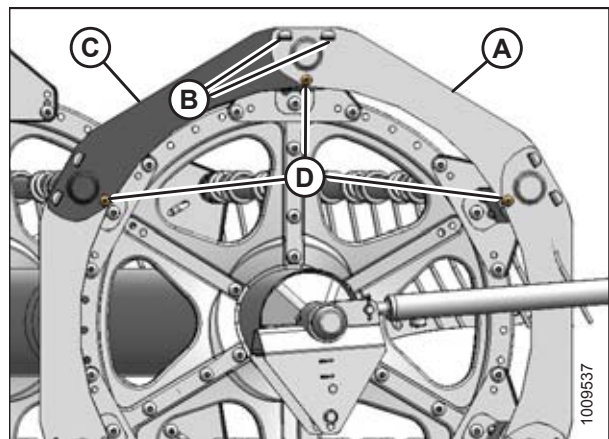


Figure 5.203: Reel Endshields

Replacing Reel Endshields – Right Reel on Double-Reel Header

⚠ DANGER

To avoid bodily injury or death from unexpected start-up of machine, always stop engine and remove key from ignition before leaving operator's seat for any reason.

1. Lower the header and reel, shut down the engine, and remove the key from the ignition.
2. Rotate the reel manually until the reel endshield (A) requiring replacement is accessible.
3. Remove six bolts (B). Retain hardware.

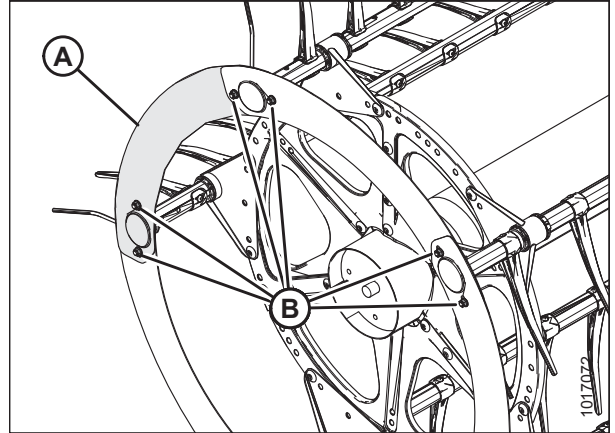


Figure 5.204: Reel Endshields

4. Lift end of reel endshield (A) off endshield (E) and rotate down.
5. Remove bolt (B), steel tine (C), and bushing (D). Retain hardware.
6. Remove the reel endshield (E).

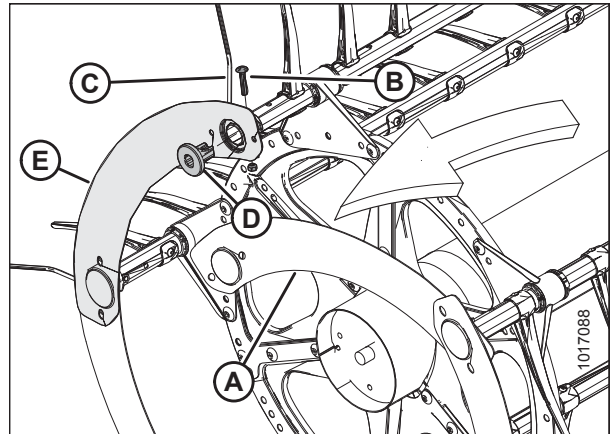


Figure 5.205: Reel Endshields

7. Install new reel endshield (A) onto reel.
8. Reattach bushing (B) and steel tine (C) using retained hardware (D).
9. Rotate endshield (E) to connect with endshield (A).

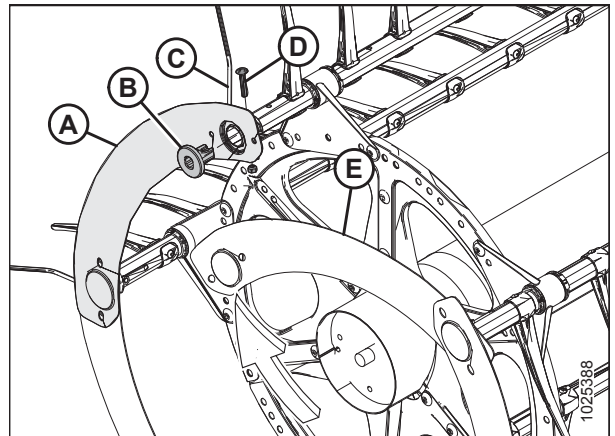


Figure 5.206: Reel Endshields

MAINTENANCE AND SERVICING

10. Reinstall bolts (A).
11. Tighten all hardware.

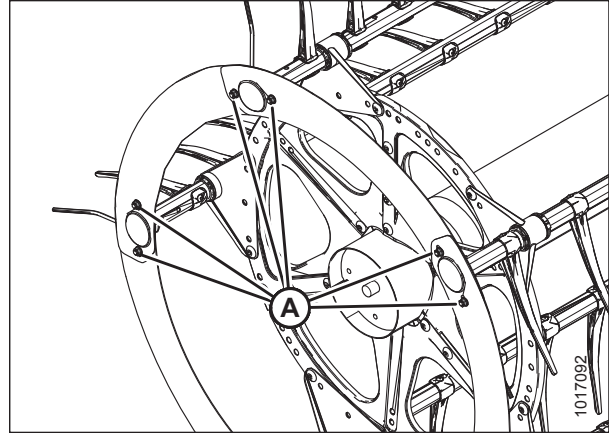


Figure 5.207: Reel Endshields

Replacing Reel Endshield Supports

DANGER

To avoid bodily injury or death from unexpected start-up of machine, always stop engine and remove key from ignition before leaving operator's seat for any reason.

1. Lower the header and reel.
2. Shut down the engine, and remove the key from the ignition.
3. Rotate the reel manually until the reel endshield requiring replacement is accessible.
4. Remove bolt (B) from support (A).
5. Remove bolts (C) from support (A) and two adjacent supports.

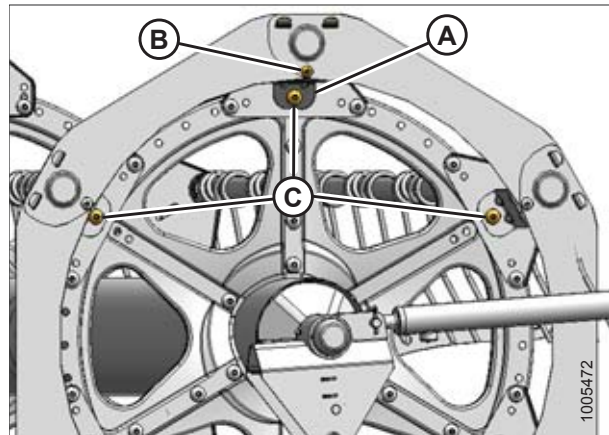


Figure 5.208: Reel Endshield Supports

MAINTENANCE AND SERVICING

6. Move the reel endshields (A) away from the tine tube and rotate the support (B) towards the reel to remove it.
7. Insert tabs of new support (B) into the slots in the reel endshields (A). Ensure the tabs engage both reel endshields.
8. Secure support (B) to the disc with bolt (C) and nut. Do **NOT** tighten.
9. Secure the reel endshields (A) to support (B) with bolt (D) and nut. Do **NOT** tighten.
10. Reattach the supports with bolts (E) and nuts.
11. Check the clearance between the tine tube and reel endshield support and adjust if necessary.
12. Torque nuts to 27 Nm (20 lbf·ft).

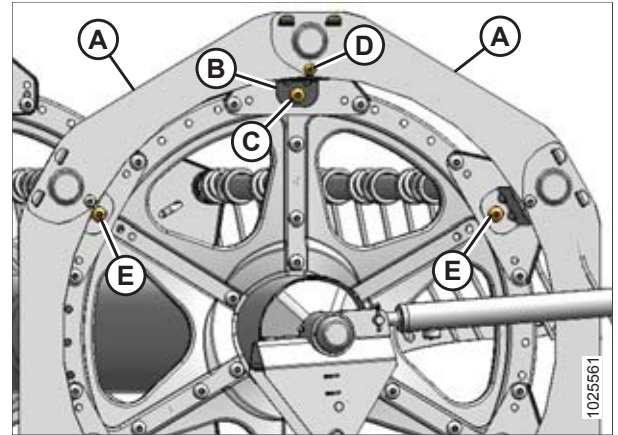


Figure 5.209: Reel Endshield Supports

5.9 Reel System

The hydraulically driven reel motor drives the chain case that is attached to the right end of the reel on a single-reel header, and between the reels on a double-reel header.

5.9.1 Reel Drive Cover

Removing Reel Drive Cover

DANGER

To avoid bodily injury or death from unexpected start-up of machine, always stop engine and remove key from ignition before leaving operator's seat for any reason.

Single-reel drive:

1. Shut down the engine, and remove the key from the ignition.
2. Remove four bolts (A) securing the cover (B) to the reel drive.

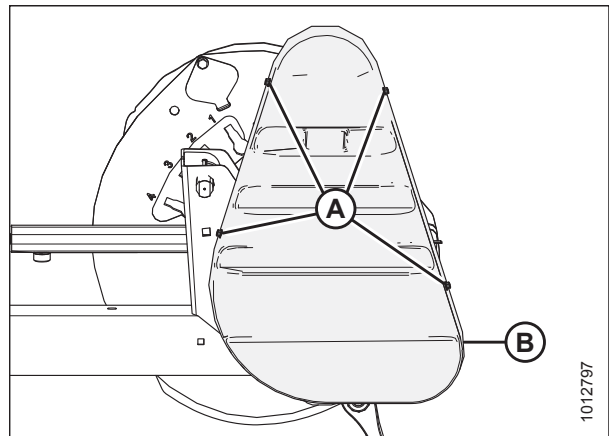


Figure 5.210: Drive Cover – Single Reel

Double-reel drive:

3. Shut down the engine, and remove the key from the ignition.
4. Remove six bolts (A) securing the upper cover (B) to the reel drive and lower cover (C).

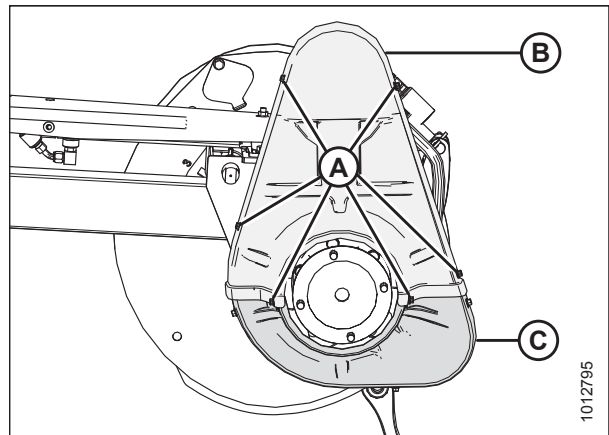


Figure 5.211: Drive Cover – Double Reel

MAINTENANCE AND SERVICING

5. Remove three bolts (A) and remove the lower cover (B) if necessary.

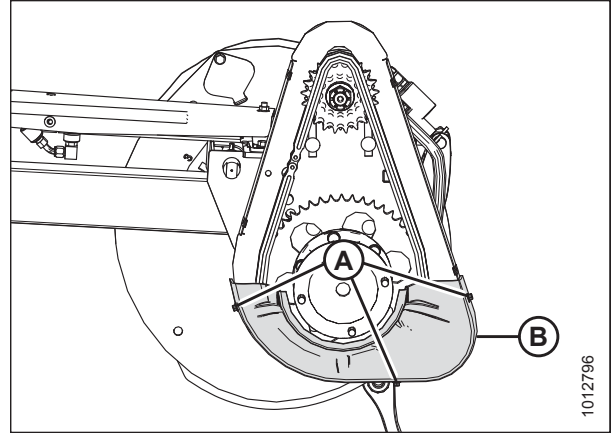


Figure 5.212: Lower Drive Cover (Upper Cover Removed)

Installing Reel Drive Cover

DANGER

To avoid bodily injury or death from unexpected start-up of machine, always stop engine and remove key from ignition before leaving operator's seat for any reason.

Single-reel drive:

1. Position the drive cover (B) onto the reel drive, and secure with four bolts (A).

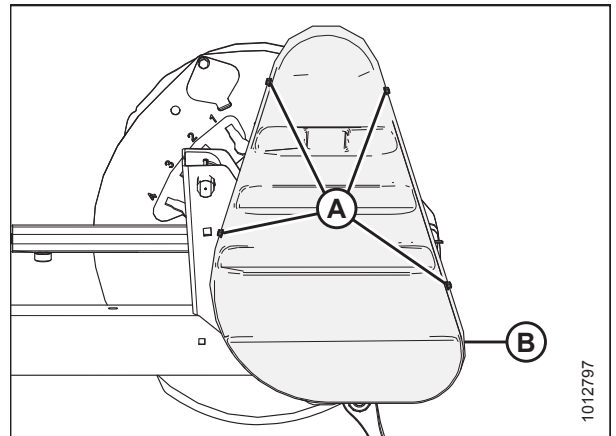


Figure 5.213: Drive Cover – Single Reel

MAINTENANCE AND SERVICING

Double-reel drive:

2. Position the lower drive cover (B) onto the reel drive (if previously removed), and secure with three bolts (A).

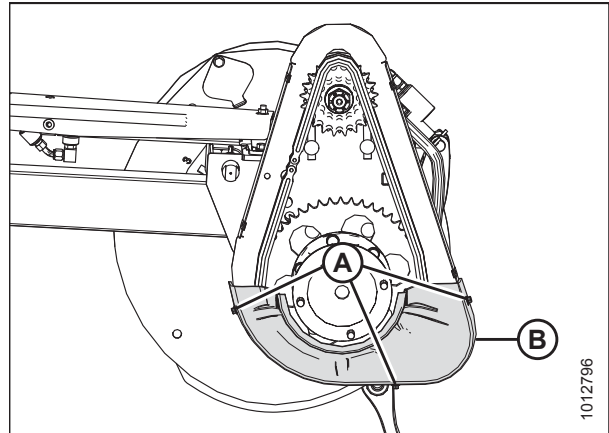


Figure 5.214: Lower Drive Cover – Double Reel

3. Position the upper drive cover (B) onto the reel drive and lower cover (C), and secure with six bolts (A).

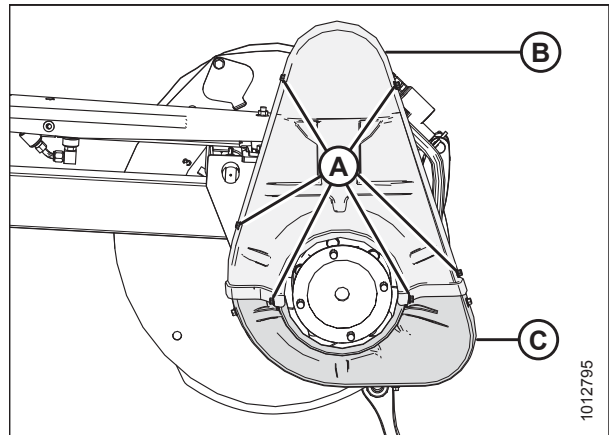


Figure 5.215: Drive Cover – Double Reel

5.9.2 Reel Drive Chain Tension

Loosening Reel Drive Chain

DANGER

To avoid bodily injury or death from unexpected start-up of machine, always stop engine and remove key from ignition before leaving operator's seat for any reason.

1. Shut down the engine, and remove the key from the ignition.
2. Remove the drive cover. Refer to [Removing Reel Drive Cover, page 224](#).
3. Loosen six nuts (A). Slide the motor (B) and motor mount (C) down towards the reel shaft.

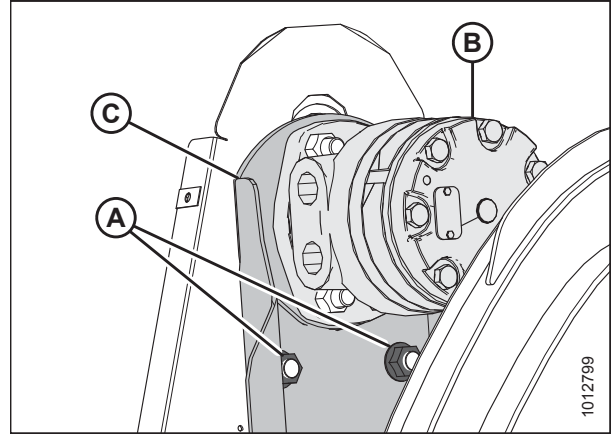


Figure 5.216: Single-Reel Drive

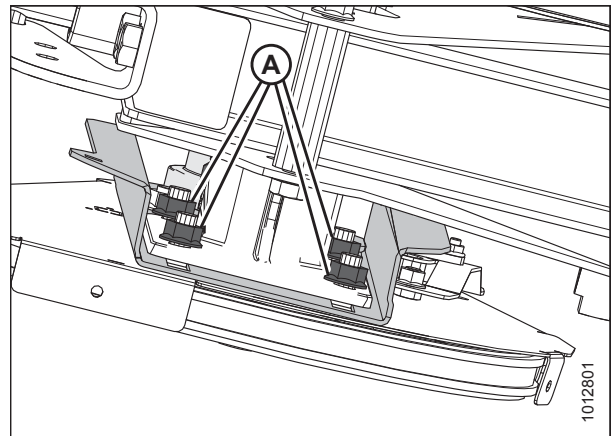


Figure 5.217: Single-Reel Drive – Viewed from Underside of Reel

MAINTENANCE AND SERVICING

Tightening Reel Drive Chain

DANGER

To avoid bodily injury or death from unexpected start-up of machine, always stop engine and remove key from ignition before leaving operator's seat for any reason.

1. Shut down the engine, and remove the key from the ignition.
2. Ensure the six bolts (A) securing the motor mount to the chain case are loose.

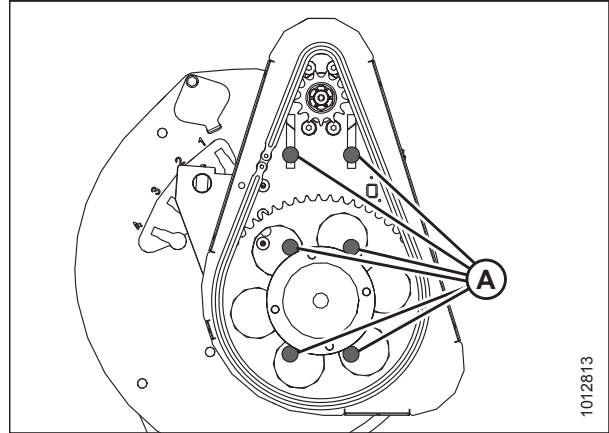


Figure 5.218: Single-Reel Drive Shown – Double Reel Similar

3. Slide the motor (A) and motor mount (B) upward until the chain (C) is tight.

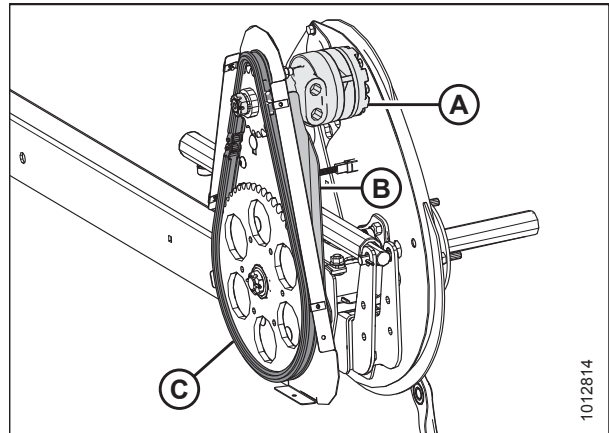


Figure 5.219: Single-Reel Drive Shown – Double Reel Similar

MAINTENANCE AND SERVICING

4. Tighten six nuts (A).
5. Ensure there is 3 mm (1/8 in.) of slack at the chain midspan. Adjust if necessary.
6. Torque nuts (A) to 73 Nm (54 lbf-ft).
7. Install the drive cover. Refer to *Installing Reel Drive Cover*, page 225.

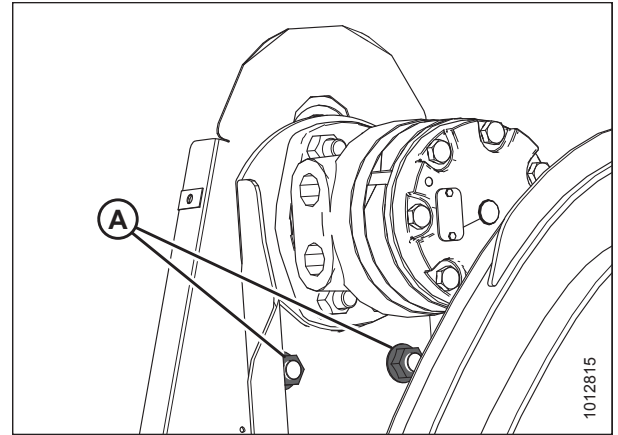


Figure 5.220: Single-Reel Drive Shown – Double Reel Similar

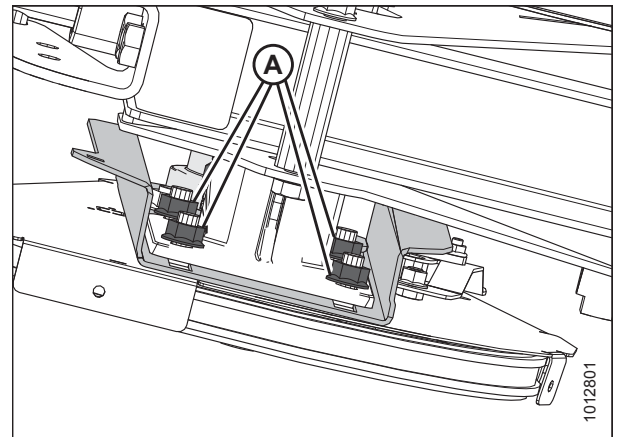


Figure 5.221: Single-Reel Drive – Viewed from Underside of Reel

5.9.3 Reel Drive Sprocket

Removing Reel Drive Sprocket

⚠ DANGER

To avoid bodily injury or death from unexpected start-up of machine, always stop engine and remove key from ignition before leaving operator's seat for any reason.

1. Shut down the engine, and remove the key from the ignition.
2. Loosen the drive chain (A). Refer to [Loosening Reel Drive Chain, page 227](#).
3. Remove the drive chain (A) from the drive sprocket (B).

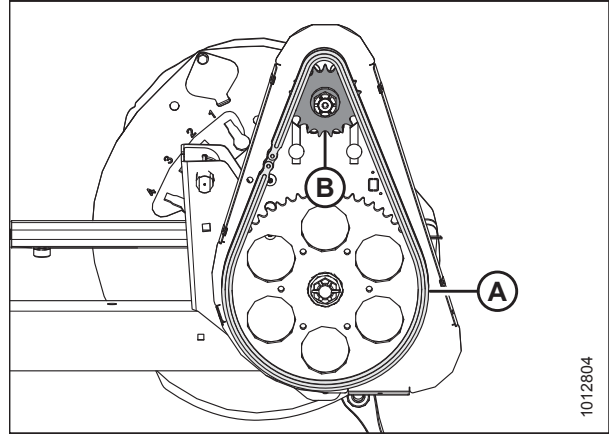


Figure 5.222: Reel Drive

4. Remove the cotter pin (A), slotted nut (B), and flat washer (C) from the motor shaft.
5. Remove the drive sprocket (D). Ensure the key remains in the shaft.

IMPORTANT:

To avoid damaging the motor, use a puller if the drive sprocket (D) does not come off by hand. Do **NOT** use a pry bar and/or hammer to remove the drive sprocket.

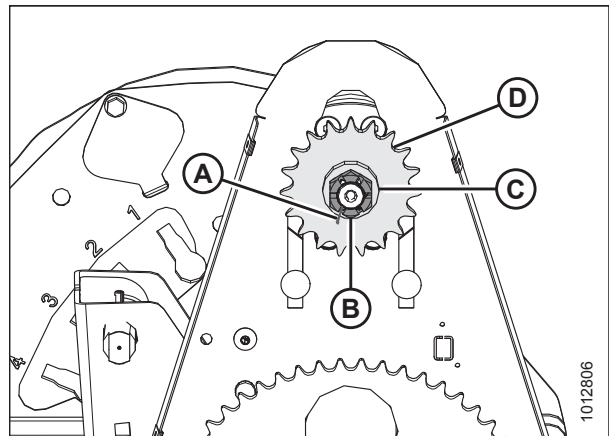


Figure 5.223: Reel Drive

Installing Reel Drive Sprocket

⚠ DANGER

To avoid bodily injury or death from unexpected start-up of machine, always stop engine and remove key from ignition before leaving operator's seat for any reason.

1. Align the keyway in sprocket (D) with the key on the motor shaft, and slide the sprocket onto the shaft. Secure with flat washer (C) and slotted nut (B).
2. Torque slotted nut (B) to 54 Nm (40 lbf-ft).
3. Install cotter pin (A). If necessary, tighten the slotted nut (B) to the next slot to install the cotter pin.

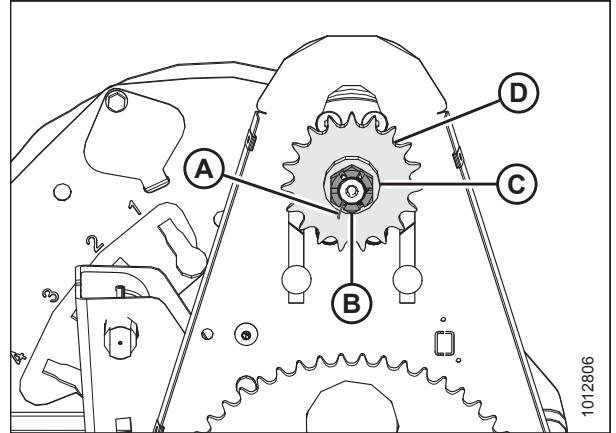


Figure 5.224: Reel Drive

4. Install the drive chain (A) onto the drive sprocket (B).
5. Tighten the drive chain. Refer to *Tightening Reel Drive Chain, page 228*.

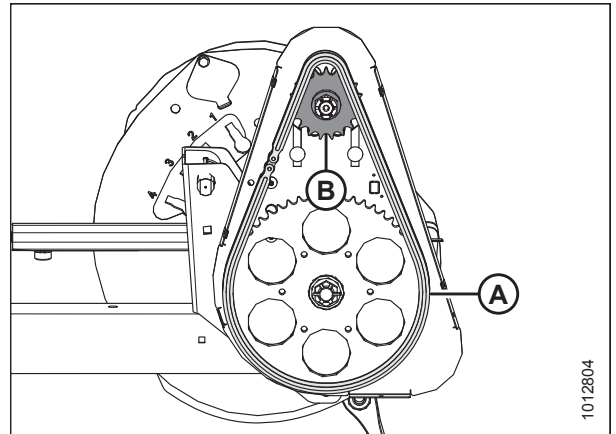


Figure 5.225: Reel Drive

5.9.4 Double-Reel U-Joint

The double-reel drive U-joint allows each reel to move independently of the other.

Lubricate the U-joint according to the specifications. Refer to [5.3.6 Lubrication and Servicing, page 121](#).

Replace the U-joint if severely worn or damaged. Refer to [Removing Double-Reel U-Joint, page 232](#).

Removing Double-Reel U-Joint

DANGER

To avoid bodily injury or death from unexpected start-up of machine, always stop engine and remove key from ignition before leaving operator's seat for any reason.

1. Shut down the engine, and remove the key from the ignition.
2. Remove the drive cover. Refer to [Removing Reel Drive Cover, page 224](#).
3. Support the inboard end of the right reel with a front end loader and nylon slings (A) (or equivalent lifting device).

IMPORTANT:

Avoid damaging or denting the center tube by supporting the reel as close to the end disc as possible.

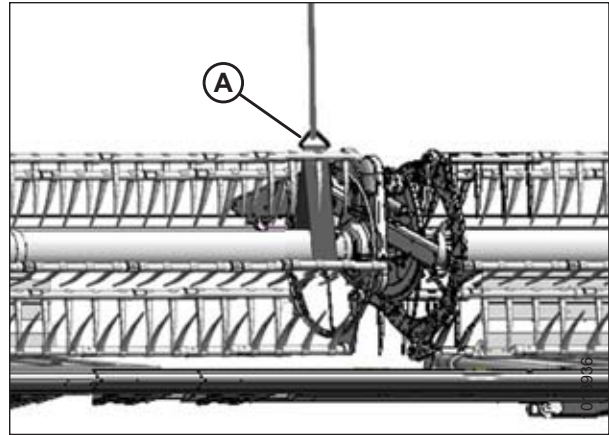


Figure 5.226: Supporting Reel

4. Remove the six bolts (A) attaching U-joint flange (B) to driven sprocket (C).
5. Remove the U-joint.

NOTE:

It may be necessary to move the right reel sideways so that the U-joint can clear the tube.

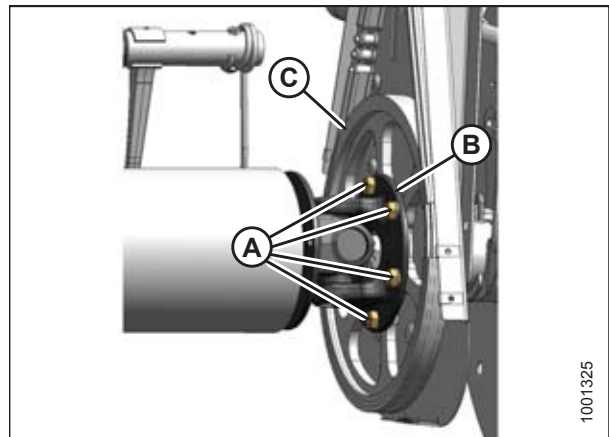


Figure 5.227: U-Joint

Installing Double-Reel U-Joint

NOTE:

It may be necessary to move the right reel sideways so that the U-joint can clear the reel tube.

1. Position U-joint flange (B) onto driven sprocket (C) as shown. Install six bolts (A) and hand-tighten. Do **NOT** torque the bolts.

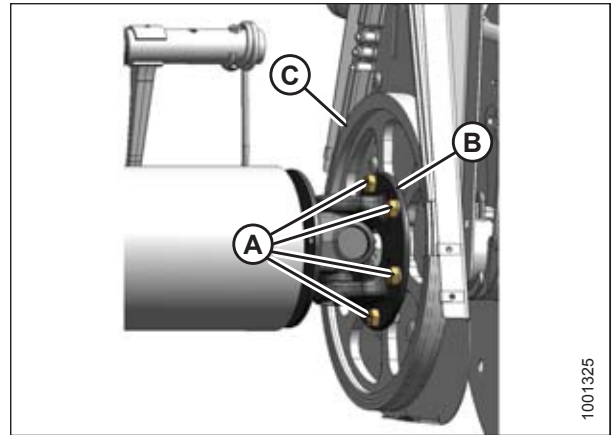


Figure 5.228: U-Joint

2. Position the right reel tube against the reel drive and engage the stub shaft into the U-joint pilot hole.
3. Rotate the reel until the holes in the end of the reel tube and U-joint flange (B) line up.
4. Apply medium-strength threadlocker (Loctite® 243 or equivalent) to four 1/2 in. bolts (A) and secure with lock washers.
5. Torque to 102–115 Nm (75–85 lbf-ft).

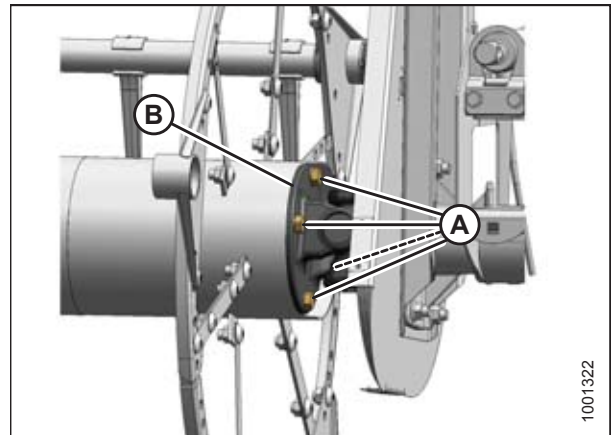


Figure 5.229: U-Joint

6. Remove temporary reel support (A).
7. Install the drive cover. Refer to [Installing Reel Drive Cover, page 225](#).

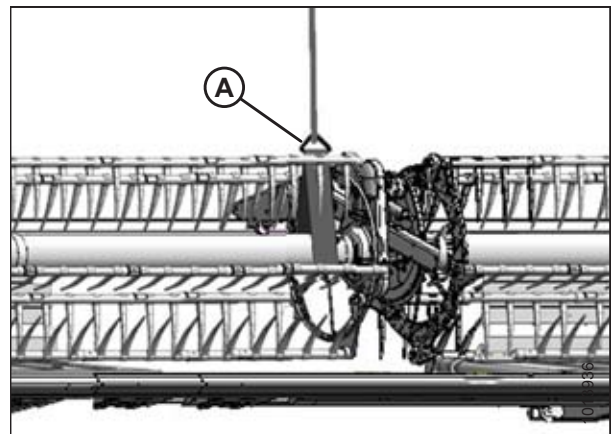


Figure 5.230: Supporting Reel

5.9.5 Reel Drive Motor

The reel drive motor does not require regular maintenance or servicing. If problems occur with the motor, remove it and have it serviced by your MacDon Dealer.

Removing Reel Drive Motor

DANGER

To avoid bodily injury or death from unexpected start-up of machine, always stop engine and remove key from ignition before leaving operator's seat for any reason.

1. Shut down the engine, and remove the key from the ignition.
2. Loosen the drive chain. Refer to [Loosening Reel Drive Chain, page 227](#).
3. Remove the drive sprocket. Refer to [Removing Reel Drive Sprocket, page 230](#).
4. Mark hydraulic lines (A) and their locations in the motor (B) to ensure correct reinstallation.
5. Disconnect hydraulic lines (A) at motor (B). Cap or plug open ports and lines.
6. Remove four nuts and bolts (C), and remove the motor (B). Retrieve the spacer (if installed) from between motor (B) and the motor mount.
7. If the motor is being replaced, remove the hydraulic fittings from the old motor and install them in the new motor using the same orientations. Refer to [9 Reference, page 269](#) for torque specifications.

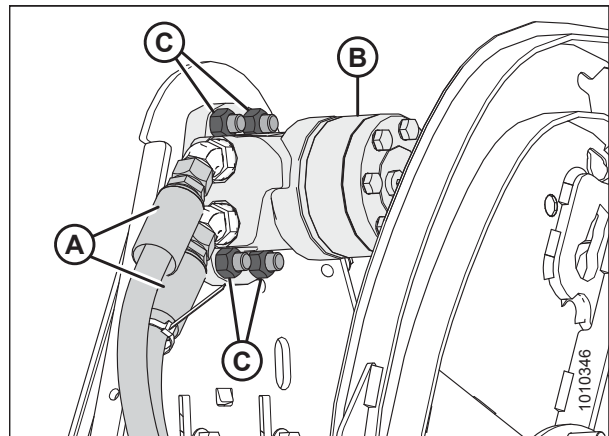


Figure 5.231: Reel Motor and Hoses

MAINTENANCE AND SERVICING

Installing Reel Drive Motor

1. Slide motor mount (A) up or down so the motor mounting holes (B) are accessible through the openings in the chain case.

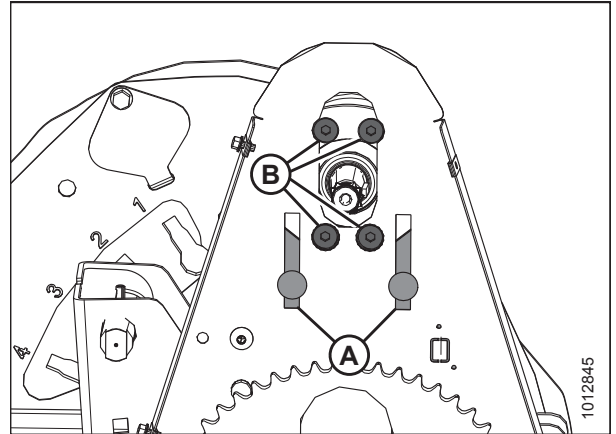


Figure 5.232: Reel Drive Motor Mounting Holes

2. Attach motor (A) (and spacer if previously removed) to motor mount (B) with four 1/2 x 1-3/4 in. countersunk bolts and nuts (C).
3. Torque nuts (C) to 73 Nm (54 lbf-ft).
4. If installing a new motor, install the hydraulic fittings (not shown) from the original motor and torque to 110–120 Nm (81–89 lbf-ft).

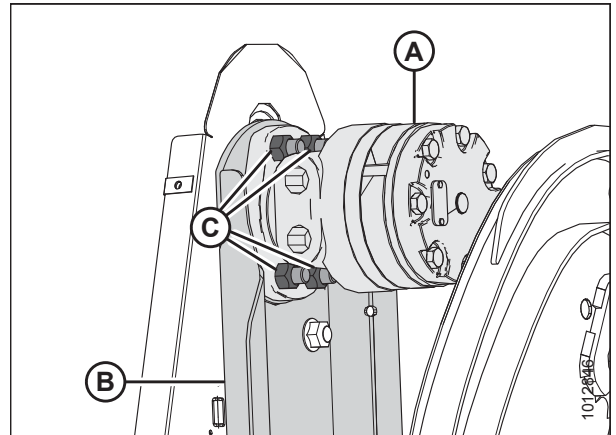


Figure 5.233: Reel Drive Motor

5. Remove the caps or plugs from the ports and lines and connect hydraulic lines (A) to hydraulic fittings (B) on motor (C).

NOTE:

Ensure hydraulic lines (A) are installed in their original locations.

6. Install the drive sprocket. Refer to [Installing Reel Drive Sprocket, page 231](#).
7. Tighten the drive chain. Refer to [Tightening Reel Drive Chain, page 228](#).

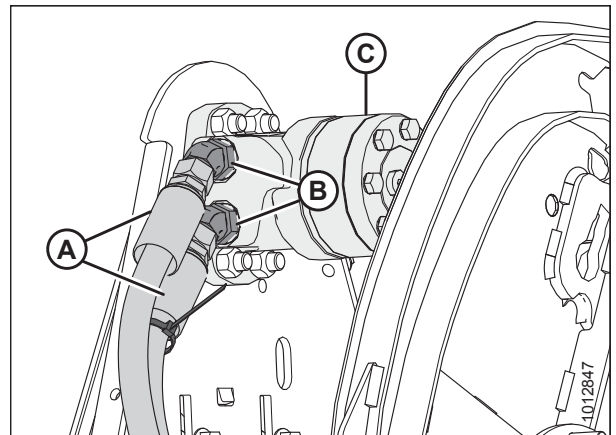


Figure 5.234: Reel Motor and Hoses

5.9.6 Replacing Drive Chain on Double Reel

Refer to the following two methods for replacing the drive chain on a double-reel drive:

- [Replacing Chain Using the Reel Drive Method, page 236](#)
- [Replacing Chain Using Breaking the Chain Method, page 238](#)

Both procedures are acceptable, but disconnecting the reel drive method is preferable because it doesn't affect the chain's integrity.

Replacing Chain Using the Reel Drive Method

⚠ DANGER

To avoid bodily injury or death from unexpected start-up of machine, always stop engine and remove key from ignition before leaving operator's seat for any reason.

1. Loosen the drive chain. Refer to [Loosening Reel Drive Chain, page 227](#).
2. Stop the engine, and remove the key from the ignition.
3. Support the inboard end of the right reel with a front end loader and nylon slings (A) (or equivalent lifting device).

IMPORTANT:

Avoid damaging or denting the center tube by supporting the reel as close to the end disc as possible.

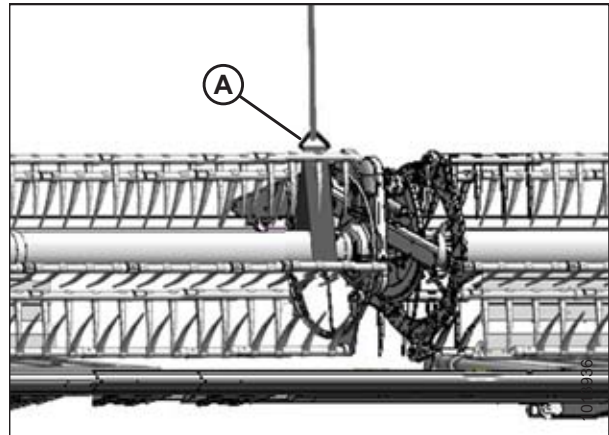


Figure 5.235: Supporting Reel

4. Remove the four bolts (A) securing the reel tube to U-joint flange (B).

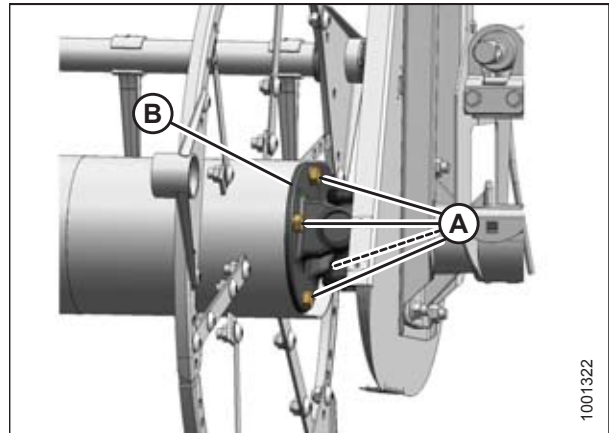


Figure 5.236: U-Joint

MAINTENANCE AND SERVICING

5. Move the right reel sideways to separate reel tube (A) from U-joint (B).
6. Remove drive chain (C).
7. Route new chain (C) over U-joint (B), and position onto the sprockets.
8. Position right reel tube (A) against the reel drive, and engage the stub shaft into the U-joint pilot hole.
9. Rotate the reel until the holes in end of the reel tube and U-joint flange (B) line up.

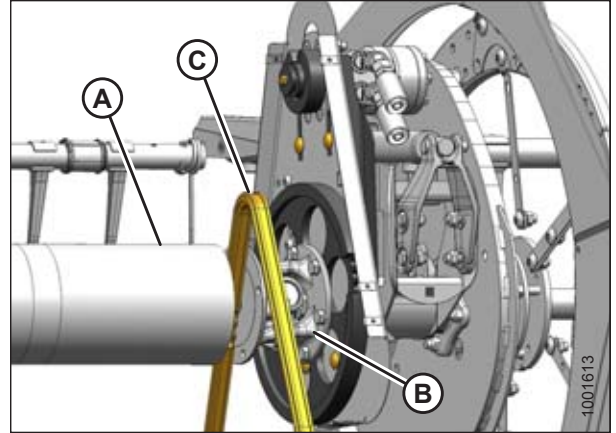


Figure 5.237: Replacing Chain

10. Apply medium-strength threadlocker (Loctite® #243 or equivalent) to four 1/2 in. bolts (A), and secure with lock washers.
11. Torque to 102–115 Nm (75–85 lbf-ft).

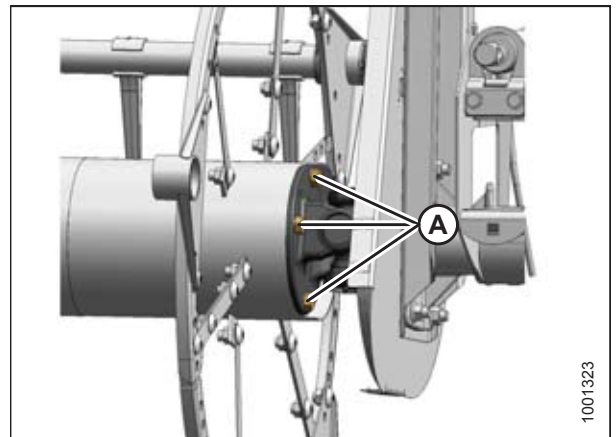


Figure 5.238: U-Joint

12. Remove the temporary reel support (A).

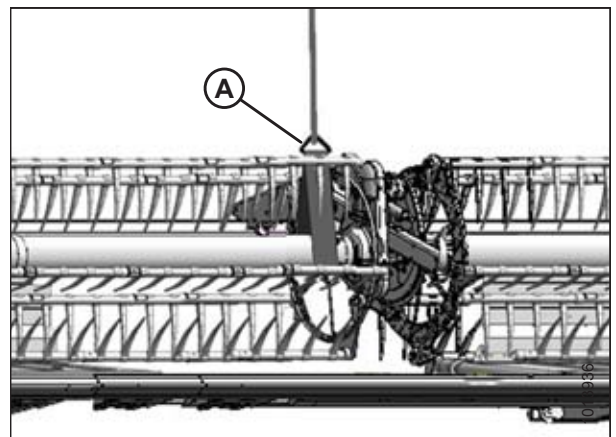


Figure 5.239: Supporting Reel

MAINTENANCE AND SERVICING

Replacing Chain Using Breaking the Chain Method

1. Grind off the head of a link rivet on chain (A), punch out the rivet, and remove the chain.
2. Grind off the head of a link rivet on the new chain, punch out the rivet, and separate the chain.
3. Position the ends of the new chain onto the sprocket (B).

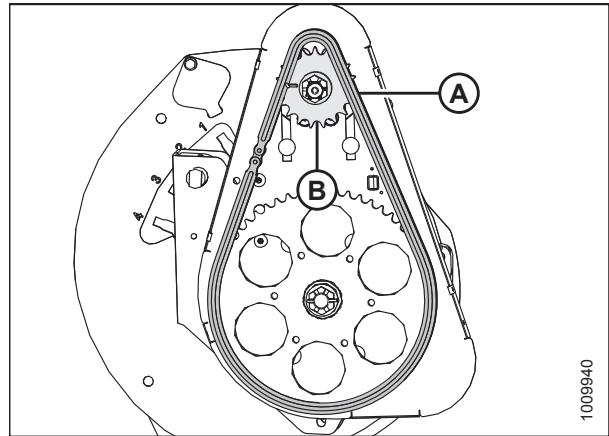


Figure 5.240: Reel Drive

4. Install pin connector (A) (not available as a MacDon part) into the chain, preferably from the backside of the sprocket.
5. Install connector (B) onto pins.
6. Install spring clip (C) onto front pin (D) with the closed end of the spring clip facing the direction of the sprocket rotation.
7. Position one leg of spring clip (C) into the groove of aft pin (E).
8. Press the other leg of spring clip (C) over the face of aft pin (E) until it slips into the groove. Do **NOT** press the spring clip lengthwise from the closed end.
9. Ensure spring clip (C) is seated into the grooves of front pin (D) and aft pin (E).
10. Tighten the drive chain. Refer to [Tightening Reel Drive Chain, page 228](#).

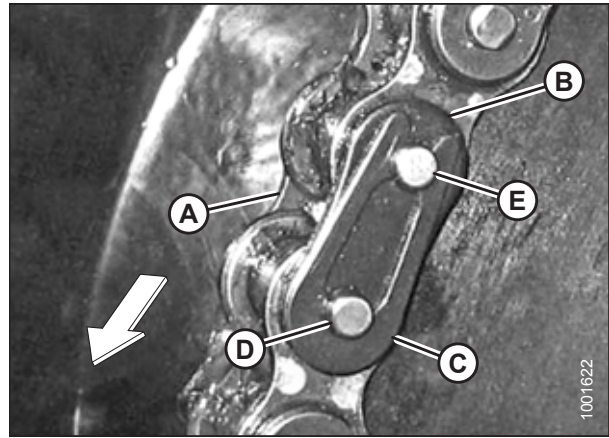


Figure 5.241: Chain

5.9.7 Replacing Drive Chain on Single Reel

1. Loosen the drive chain. Refer to *Loosening Reel Drive Chain, page 227*.
2. Lift chain (A) off drive sprocket (B).
3. Lower the chain until free of lower sprocket (C) and remove the chain from the drive.
4. Position new chain (A) around the bottom teeth on lower sprocket (C).
5. Lift the chain onto drive sprocket (B) ensuring all the links are properly engaged in the teeth.
6. Tighten the drive chain. Refer to *Tightening Reel Drive Chain, page 228*.

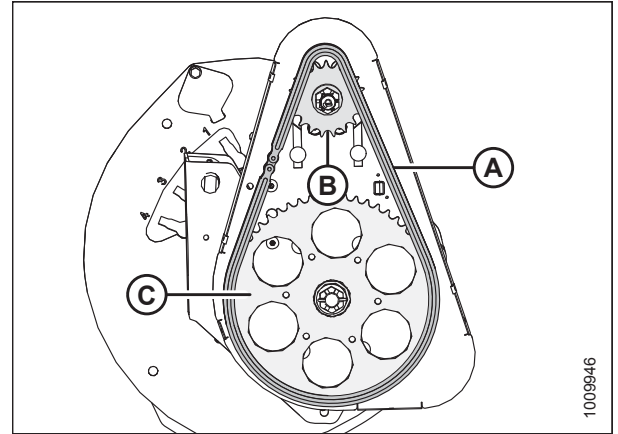


Figure 5.242: Reel Drive

5.10 Transport System (Optional)

Refer to *6.3.3 Stabilizer Wheels and Slow Speed Transport Package, page 247* for more information.

5.10.1 Checking Wheel Bolt Torque

If a transport system is installed, adhere to the following procedure for torquing the wheel bolts:

WARNING

To avoid bodily injury or death from unexpected startup of machine, always stop engine and remove key before making adjustments to machine.

1. Turn off the engine and remove key.
2. Follow the bolt tightening sequence shown, and torque the wheel bolts to 110–120 Nm (80–90 lbf-ft).

IMPORTANT:

Whenever a wheel is removed and reinstalled, check the wheel bolt torque after one hour of operation and every 100 hours thereafter.

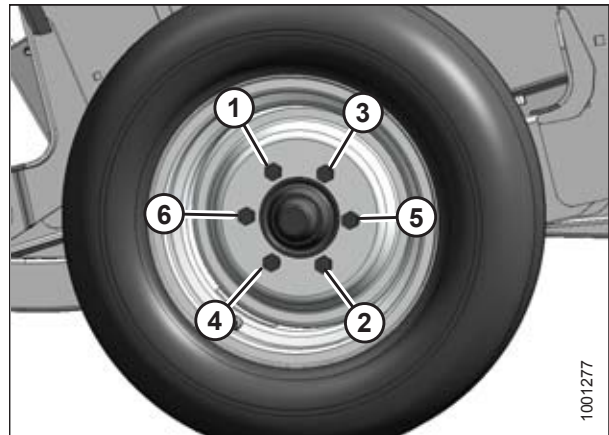


Figure 5.243: Bolt Tightening Sequence

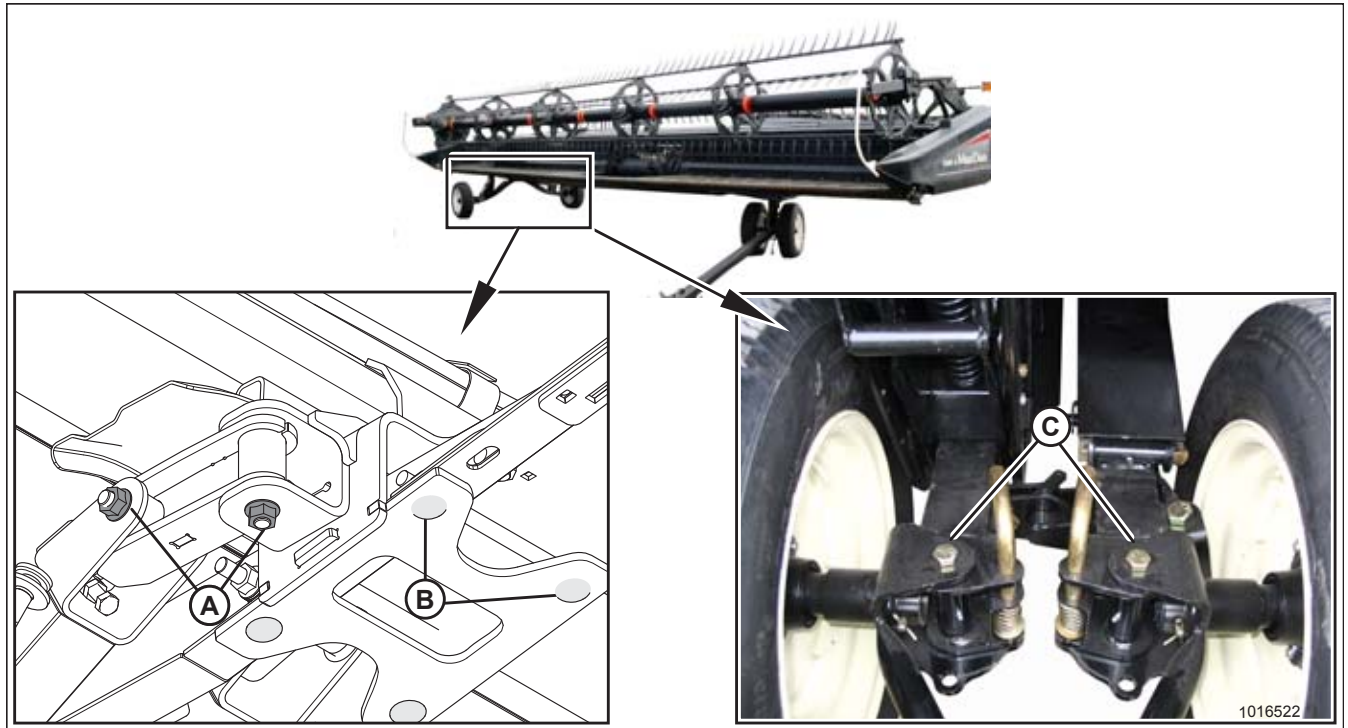
5.10.2 Checking Axle Bolt Torque

If a transport system is installed, adhere to the following procedure for torquing the axle bolts:

WARNING

To avoid bodily injury or death from unexpected startup of machine, always stop engine and remove key before making adjustments to machine.

Figure 5.244: Axle Bolts



1. Check and tighten axle bolts **DAILY** until torque is maintained as follows:

- (A): 244 Nm (180 lbf-ft)
- (B): 203 Nm (150 lbf-ft)
- (C): 244 Nm (180 lbf-ft)

5.10.3 Checking Tire Pressure

Check the tire inflation pressure and inflate according to the information provided in Table 5.7, page 242.

⚠ WARNING

- Service tires safely.
- A tire can explode during inflation, which could cause serious injury or death.
- Do NOT stand over tire. Use a clip-on chuck and extension hose.
- Do NOT exceed maximum inflation pressure indicated on tire label or sidewall.
- Replace tires that have defects.
- Replace wheel rims that are cracked, worn, or severely rusted.
- Never weld a wheel rim.
- Never use force on an inflated or partially inflated tire.
- Make sure the tire is correctly seated before inflating to operating pressure.
- If the tire is not correctly positioned on the rim or is overinflated, the tire bead can loosen on one side causing air to escape at high speed and with great force. An air leak of this nature can thrust the tire in any direction endangering anyone in the area.
- Make sure all the air is removed from the tire before removing the tire from the rim.
- Do NOT remove, install, or repair a tire on a rim unless you have the proper equipment and experience to perform the job.
- Take the tire and rim to a qualified tire repair shop.



Figure 5.245: Inflation Warning

Table 5.7 Tire Pressure

Size	Load Range	Pressure
ST205/75 R15	D	448 kPa (65 psi)
ST205/75 R15	E	552 kPa (80 psi)

6 Options and Attachments

The following options and attachments are available for use with your header. See your MacDon Dealer for availability and ordering information.

6.1 Reel

6.1.1 Lodged Crop Reel Finger Kit

The steel fingers attach to the ends of every other tine bar and help clear material in heavy, hard-to-cut crops such as lodged rice.

Each kit contains three fingers for the cam end and three fingers for the tail end of the reel. Hardware and installation and adjustment instructions are included with the kit.

MD #B4831



Figure 6.1: Lodged Crop Finger

6.1.2 Reel Endshield Kit

The steel shields provided in the reel endshield kit attach to the ends of the reels and help to clear material in heavy, hard-to-cut crops. They are standard equipment on all headers (except those with nine-bat reels). Hardware and installation instructions are included in the kit.

See your MacDon Dealer for more information.

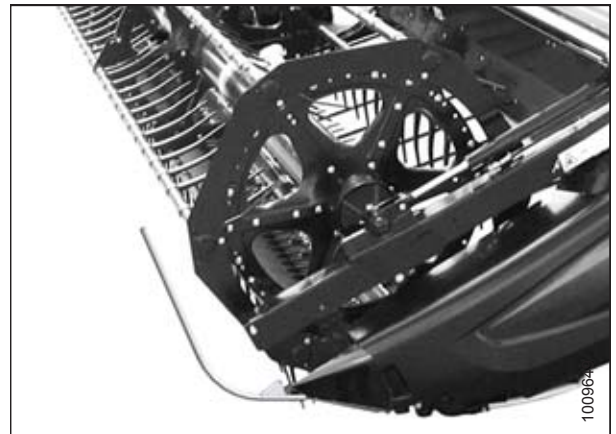


Figure 6.2: Reel Endshields

OPTIONS AND ATTACHMENTS

6.1.3 Tine Tube Reinforcing Kit

Tine tube reinforcing kits are available for five- and six-bat reels. They are designed to support high reel loads when cutting extremely heavy crops. Installation instructions are provided in the kit.

- Five-Bat Reels – MD #B5825
- Six-Bat Reels – MD #B5826

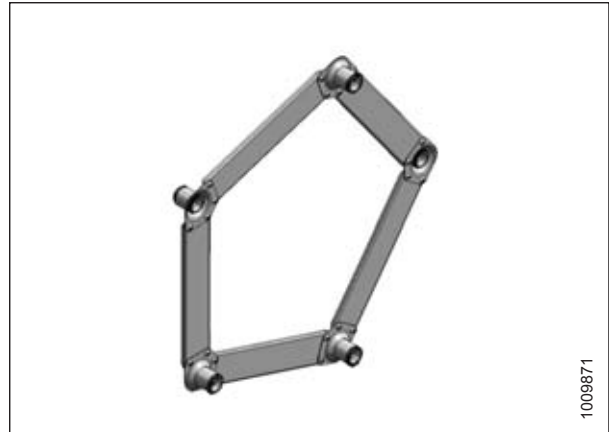


Figure 6.3: Five-Bat Reinforcing Kit Shown – Six-Bat Reinforcing Kit Similar

6.2 Cutterbar

6.2.1 Stub Guard Conversion Kit

Stub guards, complete with top guides and adjuster shoes, are designed to cut tough crops.

Installation and adjustment instructions are included in the kits.

Order one of the following bundles according to your header size:

- 4.6 m (15 ft.) – MD #B5009
- 6.1 m (20 ft.) – MD #B5010
- 7.6 m (25 ft.) – MD #B5011
- 9.1 m (30 ft.) – MD #B5012
- 10.7 m (35 ft.) – MD #B5013

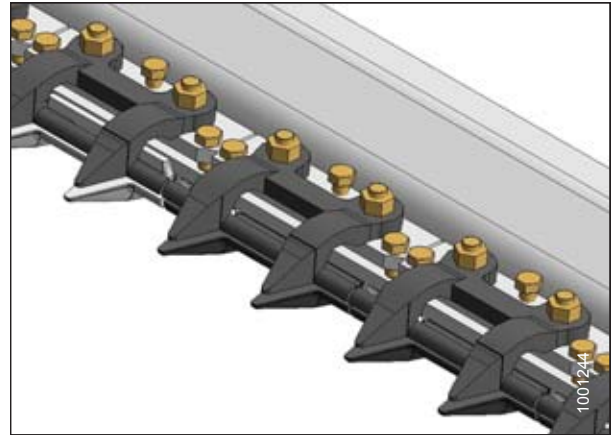


Figure 6.4: Stub Guards

6.2.2 Vertical Knife Mounts

The vertical knife mounts allow the installation of vertically oriented knives onto both ends of the header.

The vertical knives themselves are not sold by MacDon and must be purchased from a separate supplier.

Installation and adjustment instructions are included in the kits.

Order mount kits based on whether they will be installed on the left or right side of the header:

NOTE:

While the Right Vertical Knife Mount kit can be installed independently of the Left Vertical Knife Mount kit, the Left Vertical Knife Mount kit **must** be installed with the Right Vertical Knife Mount kit.

NOTE:

Additional plumbing may be required by Dealer depending on header size/attachments. If mounting onto multiple headers, you will also require the Auxiliary Vertical knife plumbing kit MD #B5406.

- Left – MD #B5757 (includes hardware and some plumbing. This mount requires installation of MD #B6572)
- Right – MD #B6572 (includes flow control, template, hardware, and some plumbing. This mount can be installed individually or with MD #B5757)

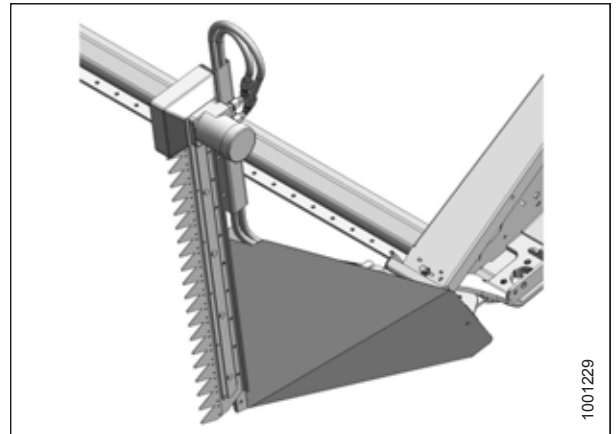


Figure 6.5: Vertical Knife Mount

6.3 Header

6.3.1 Divider Latch Kit

Divider latch kits attach to the endsheets. They allow for quick removal and storage of endsheet divider cones and, if required, reduce the transport width of the header. Installation instructions are included in the kit.

MD #B6158

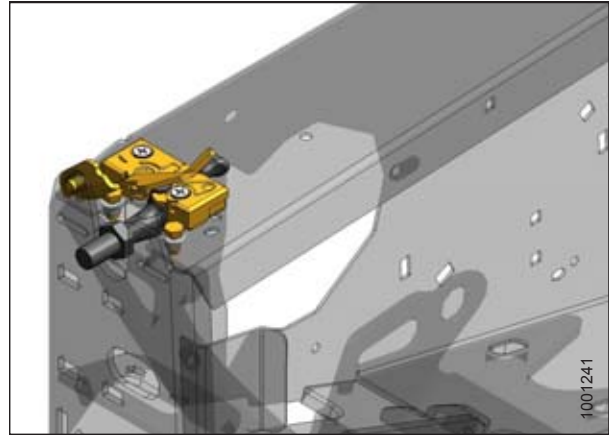


Figure 6.6: Divider Latch

6.3.2 Stabilizer Wheels

Stabilizer wheels help to stabilize the header in field conditions that would otherwise cause the header to bounce, resulting in uneven cutting heights. Installation and adjustment instructions are included in the kit.

Available as an attachment for use with 9.1–13.7 m (30–45 ft.) headers.

MD #C1986

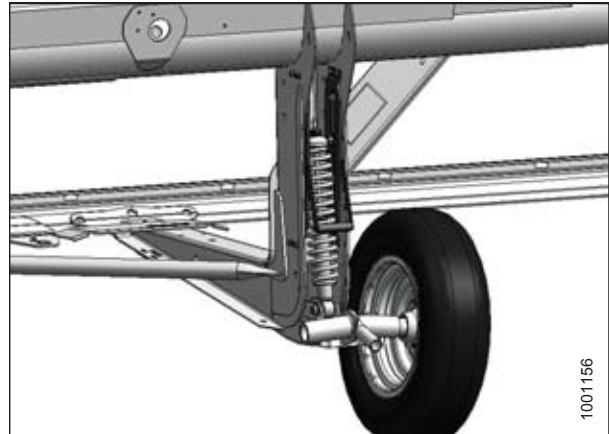


Figure 6.7: Stabilizer Wheel

6.3.3 Stabilizer Wheels and Slow Speed Transport Package

The Stabilizer Wheels and Slow Speed Transport Package help to stabilize the header in field conditions that would otherwise cause the header to bounce, resulting in uneven cutting heights. This system is similar to the Stabilizer Wheel (MD #C1986) option. Refer to [6.3.2 Stabilizer Wheels, page 246](#).

The Stabilizer Wheels and Slow Speed Transport Package are used to convert the header into transport mode for slow-speed towing behind a properly-configured windrower (or agricultural tractor). A tow pole and installation instructions are included in the kit.

This option is available for use with 9.1 m (30 ft.) and wider headers.

MD #C2009



Figure 6.8: Stabilizer Wheels Slow Speed Transport

6.4 Crop Delivery

6.4.1 Double Draper Drive (DDD) Kit

The DDD kit provides power to four draper rollers instead of the usual two in order to minimize draper slipping when using the side delivery feature in heavy forage crops.

Installation instructions are included in the kit.

NOTE:

The draper slip sensor is disabled with the installation of this kit.

- D1X Series – MD #B5653
- D1XL Series – MD #B6039

6.4.2 Draper Deflector (Narrow)

Narrow metal draper deflectors attach to the inboard side of the endsheets to prevent material from falling through the gap between the endsheet and the draper while minimizing reel carryover in bushy crops.

NOTE:

Narrow draper deflectors are not recommended for double windrowing; wide draper deflectors are available for this purpose.

Refer to the header parts catalog for the necessary parts.

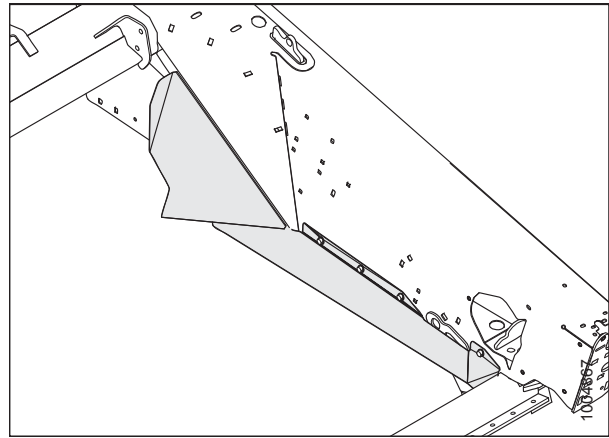


Figure 6.9: Draper Deflector (Narrow)

6.4.3 Draper Deflector (Wide)

Wide metal draper deflectors attach to the inboard side of the endsheets to prevent material from falling through the gap between the endsheet and the draper.

NOTE:

Required for double swathing only (leaves a gap between the standing crop and the swath for the divider to run through).

MD #B6551 - includes extra parts for various cutterbar layouts.

MD #B6552 - for D1XL

IMPORTANT:

The wide draper deflector is **NOT** compatible with the Upper Cross Auger option.

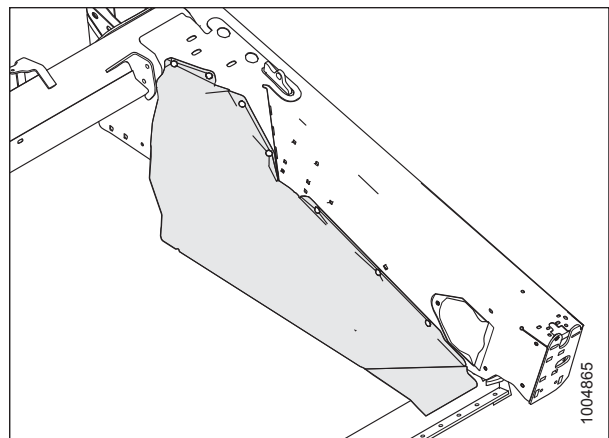


Figure 6.10: Draper Deflector (Wide)

6.4.4 Draper Extension Kit

The draper extension kit increases the inboard length of each deck up to 500 mm (20 in.) which narrows the header opening and decreases windrow width when cutting light/thin crops.

The kit includes roller support extensions, a draper repair kit, all necessary hardware, and installation instructions.

- D1X Series – MD #B5407
- D1XL Series – MD #B6378

6.4.5 Swath Rods

End delivery deflector rods are used for double swathing with end delivery only.

The deflector rods help prevent delivered crop at the opening from interfering with the standing crop.

Installation and adjustment instructions are included in the kit.

Kits are available for installation on the left or the right side of the header:

- Left side: MD #B5088
- Right side: MD #B5089

For center delivery, order MD #B4803.

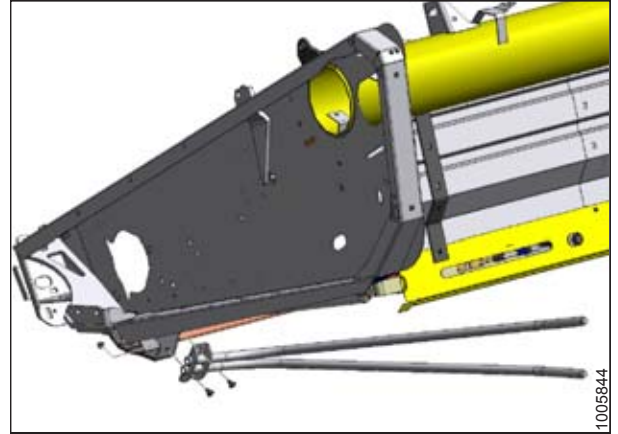


Figure 6.11: Swath Deflector

6.4.6 Upper Cross Auger (UCA)

The upper cross auger (A) attaches in front of the backtube and improves crop feeding into the center of the header in heavy crop conditions. It is ideal for high-volume harvesting of forages, oats, canola, mustard, and other tall, bushy, hard-to-feed crops.

Order from the following list of kits according to your header size:

- D115X – MD #B6280
- D120X – MD #B6281
- D125X – MD #B6461
- D130XL – MD #B6462
- D135XL – MD #B6463
- D140XL – MD #B6264
- D145XL⁷⁸ – MD #B6465

NOTE:

The wide draper deflector option is **NOT** compatible with the upper cross auger option.

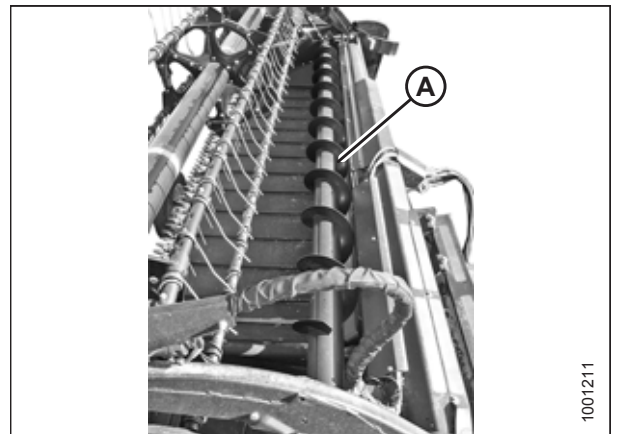


Figure 6.12: Upper Cross Auger

78. This is a 12.2 m (40 ft.) auger, and is backtube mounted. It does **NOT** span the full length of the header.

6.4.7 Rice Divider Rods

Rice divider rods attach to the left and right crop dividers and divide tall and tangled rice crops in a similar manner to standard crop divider rods performing in standing crops. Installation instructions are included in the kit.

MD #B5609



Figure 6.13: Rice Divider Rod

7 Unloading and Assembly

Refer to the header-specific instructions for unloading, assembly, and setup procedures that are included with your shipment.

Table 7.1 Unloading and Assembly Instructions

Shipping Destination	Header Description
North America	D1X and D1XL Series Draper Header for Windrowers

8 Troubleshooting

8.1 Crop Loss at Cutterbar

Symptom	Problem	Solution	Refer to
Does not pick up downed crop	Cutterbar too high	Lower cutterbar	<ul style="list-style-type: none"> Cutting off the Ground, page 56 Cutting on the Ground, page 60
Does not pick up downed crop	Header angle too low	Increase header angle	3.7.3 Header Angle, page 62
Does not pick up downed crop	Reel too high	Lower reel	3.7.8 Reel Height, page 65
Does not pick up downed crop	Reel too far back	Move reel forward	3.7.9 Reel Fore-Aft Position, page 66
Does not pick up downed crop	Ground speed too fast for reel speed	Increase reel speed or reduce ground speed	<ul style="list-style-type: none"> 3.7.4 Reel Speed, page 63 3.7.5 Ground Speed, page 64
Does not pick up downed crop	Reel fingers not lifting crop sufficiently	Increase finger pitch aggressiveness	3.7.10 Reel Tine Pitch, page 67
Does not pick up downed crop	Reel fingers not lifting crop sufficiently	Install lifter guards	See your MacDon Dealer
Heads shattering or breaking off	Reel speed too fast	Reduce reel speed	3.7.4 Reel Speed, page 63
Heads shattering or breaking off	Reel too low	Raise reel	3.7.8 Reel Height, page 65
Heads shattering or breaking off	Ground speed too fast	Reduce ground speed	3.7.5 Ground Speed, page 64
Heads shattering or breaking off	Crop too ripe	Operate at night when humidity is higher	—
Material accumulating in gap between cut-out in endsheet and knifehead	Crop heads leaning away from knifehead hole in endsheet	Add knifehead shields (except in damp or sticky soils)	5.5.8 Knifehead Shield, page 145
Strips of uncut material	Crowding uncut crop	Allow enough room for crop to be fed to cutterbar	—
Strips of uncut material	Broken knife sections	Replace broken sections	5.5.1 Replacing Knife Section, page 132

TROUBLESHOOTING

Symptom	Problem	Solution	Refer to
Excessive bouncing at normal field speed	Float set too light	Adjust header float	3.7.2 Header Float, page 61
Divider rod running down standing crop	Divider rods too long	Remove divider rod	3.7.11 Crop Dividers, page 70
Crop not being cut at ends	Reel not frowning or not centered in header	Adjust reel horizontal position or reel frown	<ul style="list-style-type: none"> • 3.7.9 Reel Fore-Aft Position, page 66 • 5.8.2 Reel Frown, page 200
Crop not being cut at ends	Knife hold-downs not adjusted properly	Adjust hold-downs so knife works freely but still keep sections from lifting off guards	<ul style="list-style-type: none"> • Adjusting Hold-Downs with Pointed Guards, page 143 • Adjusting Hold-Downs with Stub Guards, page 144
Crop not being cut at ends	Knife sections or guards are worn or broken	Replace all worn and broken cutting parts	5.5 Cutterbar, page 132
Crop not being cut at ends	Header is not level	Level header	3.12 Levelling the Header, page 86
Crop not being cut at ends	Reel fingers not lifting crop properly ahead of knife	Adjust reel position and/or finger pitch	<ul style="list-style-type: none"> • 3.7.9 Reel Fore-Aft Position, page 66 • 3.7.10 Reel Tine Pitch, page 67
Crop not being cut at ends	Divider runs down thick crop at ends preventing proper feeding due to material bridging the cutter guards	Replace 3–4 end guards with stub guards	<ul style="list-style-type: none"> • 5.5.7 Knife Guards, page 136 • 6.2.1 Stub Guard Conversion Kit, page 245 • See your MacDon Dealer
Bushy or tangled crop flows over divider rod, builds up on endsheets	Divider rods providing insufficient separation	Install long divider rods	3.7.11 Crop Dividers, page 70
Cut grain falling ahead of cutterbar	Ground speed too slow	Increase ground speed	3.7.5 Ground Speed, page 64
Cut grain falling ahead of cutterbar	Reel speed too slow	Increase reel speed	3.7.4 Reel Speed, page 63
Cut grain falling ahead of cutterbar	Reel too high	Lower reel	3.7.8 Reel Height, page 65

TROUBLESHOOTING

Symptom	Problem	Solution	Refer to
Cut grain falling ahead of cutterbar	Cutterbar too high	Lower cutterbar	<ul style="list-style-type: none"> • <i>Cutting off the Ground, page 56</i> • <i>Cutting on the Ground, page 60</i>
Cut grain falling ahead of cutterbar	Reel too far forward	Move reel back on arms	<i>3.7.9 Reel Fore-Aft Position, page 66</i>
Cut grain falling ahead of cutterbar	Cutting at speeds over 10 km/h (6 mph) with 10-tooth reel drive sprocket	Replace with 19-tooth reel drive sprocket	<i>5.9.3 Reel Drive Sprocket, page 230</i>
Cut grain falling ahead of cutterbar	Worn or broken knife components	Replace components	<i>5.5 Cutterbar, page 132</i>

TROUBLESHOOTING

8.2 Cutting Action and Knife Components

Symptom	Problem	Solution	Refer to
Ragged or uneven cutting of crop	Knife hold-downs not properly adjusted	Adjust hold-downs	<i>Checking Knife Hold-Downs, page 142</i>
Ragged or uneven cutting of crop	Knife sections or guards are worn or broken	Replace all worn and broken cutting parts	<i>Checking Knife Hold-Downs, page 142</i>
Ragged or uneven cutting of crop	Knife is not operating at recommended speed	Check engine speed of windrower	Refer to the windrower operator's manual
Ragged or uneven cutting of crop	Ground speed too fast for reel speed	Reduce ground speed or increase reel speed	<ul style="list-style-type: none"> • <i>3.7.4 Reel Speed, page 63</i> • <i>3.7.5 Ground Speed, page 64</i>
Ragged or uneven cutting of crop	Reel fingers not properly lifting crop ahead of knife	Adjust reel position and/or finger pitch	<ul style="list-style-type: none"> • <i>3.7.9 Reel Fore-Aft Position, page 66</i> • <i>3.7.10 Reel Tine Pitch, page 67</i>
Ragged or uneven cutting of crop	Cutterbar too high	Lower cutting height	<i>3.7.1 Cutting Height, page 56</i>
Ragged or uneven cutting of crop	Header angle too flat	Steepen header angle	<i>3.7.3 Header Angle, page 62</i>
Ragged or uneven cutting of crop	Bent knife causing binding of cutting parts	Straighten bent knife, and align guards	<i>5.5.7 Knife Guards, page 136</i>
Ragged or uneven cutting of crop	Cutting edge of guards not close enough or parallel to knife sections	Align guards	<i>5.5.7 Knife Guards, page 136</i>
Ragged or uneven cutting of crop	Tangled crop tough to cut	Install stub guards	<ul style="list-style-type: none"> • <i>5.5.7 Knife Guards, page 136</i> • <i>6.2.1 Stub Guard Conversion Kit, page 245</i> • See your MacDon Dealer
Ragged or uneven cutting of crop	Reel too far back	Move reel forward	<i>3.7.9 Reel Fore-Aft Position, page 66</i>
Ragged or uneven cutting of crop	Loose knife drive belt	Adjust drive belt tension	<ul style="list-style-type: none"> • <i>Checking and Tensioning, page 162</i> • <i>Tensioning Timed Knife Drive Belts, page 168</i>

TROUBLESHOOTING

Symptom	Problem	Solution	Refer to
Knife plugging	Reel too high or too far forward	Lower reel or move reel rearward	<ul style="list-style-type: none"> • 3.7.8 Reel Height, page 65 • 3.7.9 Reel Fore-Aft Position, page 66
Knife plugging	Ground speed too slow	Increase ground speed	3.7.5 Ground Speed, page 64
Knife plugging	Loose knife drive belt	Adjust drive belt tension	<ul style="list-style-type: none"> • Checking and Tensioning, page 162 • Tensioning Timed Knife Drive Belts, page 168
Knife plugging	Improper knife hold-down adjustment	Adjust hold-down	Checking Knife Hold-Downs, page 142
Knife plugging	Dull or broken knife sections	Replace knife sections	5.5.1 Replacing Knife Section, page 132
Knife plugging	Bent or broken guards	Align or replace guards	5.5.7 Knife Guards, page 136
Knife plugging	Reel fingers not properly lifting crop ahead of knife	Adjust reel position and/or finger pitch	<ul style="list-style-type: none"> • 3.7.9 Reel Fore-Aft Position, page 66 • 3.7.10 Reel Tine Pitch, page 67
Knife plugging	Steel pick-up fingers contacting knife	Increase reel clearance to cutterbar or adjust frown	<ul style="list-style-type: none"> • Measuring Reel Clearance, page 197 • 5.8.2 Reel Frown, page 200
Knife plugging	Float is set too heavy	Adjust springs for lighter float	3.7.2 Header Float, page 61
Knife plugging	Mud or dirt build-up on cutterbar	Raise cutterbar by lowering skid shoes	Cutting on the Ground, page 60
Knife plugging	Mud or dirt build-up on cutterbar	Install cut-out sections	See your MacDon Dealer
Knife plugging	Mud or dirt build-up on cutterbar	Flatten header angle	Adjusting Header Angle, page 63
Knife plugging	Knife is not operating at recommended speed	Check engine speed of windrower	Refer to the windrower operator's manual
Knife back breakage	Bent or broken guard	Straighten or replace guard	5.5.7 Knife Guards, page 136
Knife back breakage	Worn knifehead pin	Replace knifehead pin	5.5.3 Removing Knifehead Bearing, page 133

TROUBLESHOOTING

Symptom	Problem	Solution	Refer to
Knife back breakage	Dull knife	Replace knife	<ul style="list-style-type: none"> • 5.5.2 Removing Knife, page 133 • 5.5.5 Installing Knife, page 135
Excessive header vibration	Knife hold-downs not properly adjusted	Adjust hold-downs	Checking Knife Hold-Downs, page 142
Excessive header vibration	Knives on double-knife drive not timed	Adjust knife timing	Adjusting Double-Knife Timing, page 170
Excessive header vibration	Knife not operating at recommended speed	Check engine speed of windrower	Refer to the windrower operator's manual
Excessive header vibration	Excessive knife wear	Replace knife	<ul style="list-style-type: none"> • 5.5.2 Removing Knife, page 133 • 5.5.5 Installing Knife, page 135
Excessive header vibration	Loose or worn knifehead pin or drive arm	Tighten or replace parts	<ul style="list-style-type: none"> • 5.5.3 Removing Knifehead Bearing, page 133 • 5.6.1 Knife Drive Box, page 146
Excessive header vibration	Bent cutterbar	Straighten cutterbar	See your MacDon Dealer
Excessive breakage of knife sections or guards	Knife hold-downs not properly adjusted	Adjust hold-downs	Checking Knife Hold-Downs, page 142
Excessive breakage of knife sections or guards	Cutterbar operating too low in stony conditions	Raise cutterbar using skid shoes	Cutting on the Ground, page 60
Excessive breakage of knife sections or guards	Float is set too heavy	Adjust springs for lighter float	3.7.2 Header Float, page 61
Excessive breakage of knife sections or guards	Bent or broken guard	Straighten or replace guard	5.5.7 Knife Guards, page 136
Excessive breakage of knife sections or guards	Header angle too steep	Flatten header angle	Adjusting Header Angle, page 63

TROUBLESHOOTING

8.3 Reel Delivery

Symptom	Problem	Solution	Refer to
Reel not releasing material in normal standing crop	Reel speed too fast	Reduce reel speed	<i>3.7.4 Reel Speed, page 63</i>
Reel not releasing material in normal standing crop	Reel too low	Raise reel	<i>3.7.8 Reel Height, page 65</i>
Reel not releasing material in normal standing crop	Reel tines too aggressive	Reduce cam setting	<i>3.7.10 Reel Tine Pitch, page 67</i>
Reel not releasing material in normal standing crop	Reel too far back	Move reel forward	<i>3.7.9 Reel Fore-Aft Position, page 66</i>
Reel not releasing material in lodged and standing crop (reel fully lowered)	Reel tines too aggressive for standing crop	Reduce cam setting	<i>3.7.10 Reel Tine Pitch, page 67</i>
Wrapping on reel end	Reel tines too aggressive	Reduce cam setting	<i>3.7.10 Reel Tine Pitch, page 67</i>
Wrapping on reel end	Reel too low	Raise reel	<i>3.7.8 Reel Height, page 65</i>
Wrapping on reel end	Reel speed too fast	Reduce reel speed	<i>3.7.4 Reel Speed, page 63</i>
Wrapping on reel end	Crop conditions	Install optional endshields	See your MacDon Dealer
Wrapping on reel end	Reel not centered in header	Center reel in header	<i>5.8.3 Centering the Reel, page 201</i>
Reel releases crop too quickly	Reel tines not aggressive enough	Increase cam setting	<i>3.7.10 Reel Tine Pitch, page 67</i>
Reel releases crop too quickly	Reel too far forward	Move reel back	<i>3.7.9 Reel Fore-Aft Position, page 66</i>
Reel will not lift	Reel lift couplers are incompatible or defective	Change quick coupler	—
Reel will not turn	Control set at '0'	Activate reel speed control	<i>3.7.4 Reel Speed, page 63</i>
Reel will not turn	Quick couplers not properly connected	Connect couplers	<i>4 Header Attachment/ Detachment, page 107</i>
Reel will not turn	Reel drive chain disconnected	Connect reel drive chain	<i>5.9.7 Replacing Drive Chain on Single Reel, page 239</i>
Reel motion uneven under no load	Excessive slack in reel drive chain	Tighten drive chain	<i>5.9.2 Reel Drive Chain Tension, page 227</i>

TROUBLESHOOTING

Symptom	Problem	Solution	Refer to
Reel motion is uneven or stalls in heavy crops	Reel speed too fast	Reduce reel speed	3.7.4 Reel Speed, page 63
Reel motion is uneven or stalls in heavy crops	Reel fingers not aggressive enough	Move to a more aggressive finger pitch notch	3.7.10 Reel Tine Pitch, page 67
Reel motion is uneven or stalls in heavy crops	Reel too low	Raise reel	3.7.8 Reel Height, page 65
Reel motion is uneven or stalls in heavy crops	Relief valve on windrower has low relief pressure setting	Increase relief pressure to manufacturer's recommendations	Refer to the windrower operator's manual
Reel motion is uneven or stalls in heavy crops	Low oil level in reservoir on windrower NOTE: There may be more than one reservoir.	Fill to proper level	Refer to the windrower operator's manual
Reel motion is uneven or stalls in heavy crops	Relief valve malfunction	Replace relief valve	Refer to the windrower operator's manual
Reel motion is uneven or stalls in heavy crops	Cutting tough crops with standard torque (19-tooth) reel drive sprocket	Replace with high torque (10-tooth) or 14-tooth reel drive sprocket	5.9.3 Reel Drive Sprocket, page 230
Plastic fingers cut at tip	Insufficient reel to cutterbar clearance	Increase clearance	5.8.1 Reel Clearance to Cutterbar, page 196
Plastic fingers bent rearward at tip	Reel digging into ground with reel speed slower than ground speed	Raise header	3.7.1 Cutting Height, page 56
Plastic fingers bent rearward at tip	Reel digging into ground with reel speed slower than ground speed	Decrease header tilt	3.7.3 Header Angle, page 62
Plastic fingers bent rearward at tip	Reel digging into ground with reel speed slower than ground speed	Move reel aft	3.7.9 Reel Fore-Aft Position, page 66
Plastic fingers bent forward at tip	Reel digging into ground with reel speed faster than ground speed	Raise header	3.7.1 Cutting Height, page 56
Plastic fingers bent forward at tip	Reel digging into ground with reel speed faster than ground speed	Decrease header tilt	3.7.3 Header Angle, page 62
Plastic fingers bent forward at tip	Reel digging into ground with reel speed faster than ground speed	Move reel aft	3.7.9 Reel Fore-Aft Position, page 66

TROUBLESHOOTING

Symptom	Problem	Solution	Refer to
Plastic fingers bent close to tine tube	Excessive plugging at cutterbar with wads of crop accumulating at cutterbar while maintaining reel operation	Correct plugging and cutting issues	<i>3.13 Unplugging the Cutterbar, page 87</i>
Plastic fingers bent close to tine tube	Excessive plugging at cutterbar with wads of crop accumulating at cutterbar while maintaining reel operation	Stop reel before plugging becomes excessive	—

TROUBLESHOOTING

8.4 Header and Drapers

Symptom	Problem	Solution	Refer to
Insufficient header lift	Low relief pressure	Increase relief pressure	See your MacDon Dealer
Insufficient side draper speed	Speed control set too low	Increase speed control setting	3.7.6 Draper Speed, page 65
Insufficient side draper speed	Windrower header drive too slow	Adjust to correct speed for windrower model	Refer to the windrower operator's manual
Insufficient feed draper speed	Relief pressure too low	Increase relief pressure to recommended setting	See your MacDon Dealer
Insufficient feed draper speed	Windrower header drive too slow	Adjust to correct speed for windrower model	Refer to the windrower operator's manual
Insufficient draper speed	Worn out gear pump	Replace gear pump	See your MacDon Dealer
Insufficient draper speed	Pressure compensator (V7) set too low	Adjust to increase setting	Refer to the windrower operator's manual
Feed draper will not move	Drapers are loose	Tighten drapers	5.7.3 Adjusting Draper Tension, page 179
Feed draper will not move	Drive or idler roller wrapped with material	Loosen draper and clean rollers	5.7.3 Adjusting Draper Tension, page 179
Feed draper will not move	Slat or connector bar jammed by frame or material	Loosen draper and clear obstruction	5.7.3 Adjusting Draper Tension, page 179
Feed draper will not move	Roller bearing seized	Replace roller bearing	5.7.6 Draper Roller Maintenance, page 185
Feed draper will not move	Low hydraulic oil	Fill windrower hydraulic oil reservoir to full level	Refer to the windrower operator's manual
Draper stalling	Material not feeding evenly off knife	Lower reel	3.7.8 Reel Height, page 65
Draper stalling	Material not feeding evenly off knife	Install stub guards	<ul style="list-style-type: none"> • 5.5.7 Knife Guards, page 136 • 6.2.1 Stub Guard Conversion Kit, page 245 • See your MacDon Dealer
Hesitation in flow of bulky crop	Header angle too low	Increase header angle	3.7.3 Header Angle, page 62
Hesitation in flow of bulky crop	Material overload on drapers	Increase side draper speed	3.7.6 Draper Speed, page 65
Hesitation in flow of bulky crop	Material overload on drapers	Install upper cross auger	6.4.6 Upper Cross Auger (UCA), page 249

TROUBLESHOOTING

Symptom	Problem	Solution	Refer to
Hesitation in flow of bulky crop	Material overload on drapers	Add fighting extensions	See your MacDon Dealer
Drapers back feed	Drapers running too slow in heavy crop	Increase draper speed	3.7.6 Draper Speed, page 65
Crop is thrown across opening and under opposite side draper	Drapers running too fast in light crop	Reduce draper speed	3.7.6 Draper Speed, page 65
Material accumulates inside or under front edge of draper	Deck height improperly adjusted	Adjust deck height	5.7.5 Adjusting Deck Height, page 182
Material accumulating on end deflectors and releasing in bunches	End deflectors too wide	For headers with manual deck shift only, trim deflector or replace with narrow deflector (MD #172381)	3.13 Unplugging the Cutterbar, page 87

8.5 Cutting Edible Beans

Symptom	Problem	Solution	Refer to
Plants being stripped and complete or partial plants left behind	Header off ground	Lower header to ground and run on skid shoes and/or cutterbar	<i>Cutting on the Ground, page 60</i>
Plants being stripped and complete or partial plants left behind	Float set too light—rides on high spots and does not lower soon enough	Set float for the following conditions: - Dry ground: 100–150 lbf - Wet ground: 50–100 lbf	<i>3.7.2 Header Float, page 61</i>
Plants being stripped and complete or partial plants left behind	Reel too high	Fully retract reel cylinders	<i>3.7.8 Reel Height, page 65</i>
Plants being stripped and complete or partial plants left behind	Reel too high with cylinders fully retracted	Adjust reel height	<i>3.7.8 Reel Height, page 65</i>
Plants being stripped and complete or partial plants left behind	Finger pitch not aggressive enough	Adjust finger pitch	<i>3.7.10 Reel Tine Pitch, page 67</i>
Plants being stripped and complete or partial plants left behind	Reel too far aft	Move reel forward until the fingertips skim the soil surface with header on the ground and the center-link properly adjusted	<i>3.7.9 Reel Fore-Aft Position, page 66</i>
Plants being stripped and complete or partial plants left behind	Header angle too shallow	Lengthen center-link	<i>Adjusting Header Angle, page 63</i>
Plants being stripped and complete or partial plants left behind	Header angle too shallow	Increase header angle by fully retracting lift cylinders (if cutting on ground)	<i>Adjusting Header Angle, page 63</i>
Plants being stripped and complete or partial plants left behind	Reel too slow	Adjust reel speed to be marginally faster than ground speed	<i>3.7.4 Reel Speed, page 63</i>
Plants being stripped and complete or partial plants left behind	Ground speed too fast	Lower ground speed	<i>3.7.5 Ground Speed, page 64</i>
Plants being stripped and complete or partial plants left behind	Skid shoes too low	Raise skid shoes to highest setting	<i>Cutting on the Ground, page 60</i>
Plants being stripped and complete or partial plants left behind	Dirt packs on bottom of cutterbar and raises cutterbar off the ground	Install plastic wear strips on bottom of cutterbar and skid shoes	See your MacDon Dealer

TROUBLESHOOTING

Symptom	Problem	Solution	Refer to
Plants being stripped and complete or partial plants left behind	Dirt packing on bottom of cutterbar with plastic wear strips on cutterbar and raises cutterbar off the ground	Ground too wet – allow soil to dry	—
Plants being stripped and complete or partial plants left behind	Dirt packing on bottom of cutterbar with plastic wear strips on cutterbar and raises cutterbar off the ground	Manually clean the bottom of cutterbar when excessive accumulation occurs	—
Plants being stripped and complete or partial plants left behind	Plastic wear strip for cutterbar has been installed over top of steel wear plates	Remove steel cutterbar wear plates when installing the plastic wear strips for cutterbar	—
Plants being stripped and complete or partial plants left behind	Header not level	Level header	3.12 Levelling the Header, page 86
Plants being stripped and complete or partial plants left behind	Worn or damaged knife sections	Replace sections or replace knife	5.5 Cutterbar, page 132
Plants being stripped and complete or partial plants left behind	Parts of vines get caught in pointed guard tip. (Occurs more in row-cropped beans that are hilled from cultivating.)	Install stub guard conversion kit	6.2.1 Stub Guard Conversion Kit, page 245
Excessive losses at dividers	Divider rod running down crop and shattering pods	Remove divider rod	3.7.11 Crop Dividers, page 70
Excessive losses at dividers	Vines and plants build up on endsheet	Install divider rod	3.7.11 Crop Dividers, page 70
Plant vines pinched between top of draper and cutterbar	Cutterbar fills with debris when draper to cutterbar gap is properly adjusted	Raise header fully at each end of field (or as required) and shift decks back and forth to help clean out cutterbar	—
Plant vines pinched between top of draper and cutterbar	Shifting the decks with header raised does not clean out cutterbar debris.	Manually remove debris from cutterbar cavity to prevent damaging the drapers	—
Crop accumulating at guards and not moving rearward onto drapers	Reel finger pitch not aggressive enough	Increase finger aggressiveness (cam position)	3.7.10 Reel Tine Pitch, page 67
Crop accumulating at guards and not moving rearward onto drapers	Reel too high	Lower reel	3.7.8 Reel Height, page 65

TROUBLESHOOTING

Symptom	Problem	Solution	Refer to
Crop accumulating at guards and not moving rearward onto drapers	Minimum reel clearance to cutterbar setting too high	Adjust minimum reel height with cylinders fully retracted	5.8.1 Reel Clearance to Cutterbar, page 196
Crop accumulating at guards and not moving rearward onto drapers	Reel too far forward	Reposition reel	3.7.9 Reel Fore-Aft Position, page 66
Crop wrapping around reel	Reel too low	Raise reel	3.7.8 Reel Height, page 65
Reel shattering pods	Reel too far forward	Reposition reel	3.7.9 Reel Fore-Aft Position, page 66
Reel shattering pods	Reel speed too high	Reduce reel speed	3.7.4 Reel Speed, page 63
Reel shattering pods	Bean pods too dry	Cut at night when heavy dew is present and pods have softened	—
Reel shattering pods	Reel finger pitch not aggressive enough	Increase finger aggressiveness (cam position)	3.7.10 Reel Tine Pitch, page 67
Cutterbar guards breaking	Float insufficient (float setting too heavy)	Increase float (adjust to lighter float setting)	3.7.2 Header Float, page 61
Cutterbar guards breaking	Excessive number of rocks in field	Consider installing optional stub guards Tip: Install a few guards on one section of the cutterbar and compare the performance of the two different guard styles	<ul style="list-style-type: none"> • 5.5.7 Knife Guards, page 136 • 6.2.1 Stub Guard Conversion Kit, page 245
Cutterbar pushing too much debris and dirt	Header too heavy	Readjust float to make header lighter	3.7.2 Header Float, page 61
Cutterbar pushing too much debris and dirt	Header angle too steep	Decrease header angle with center-link	3.7.3 Header Angle, page 62
Cutterbar pushing too much debris and dirt	Header angle too steep	Shorten the center-link	3.7.3 Header Angle, page 62
Cutterbar pushing too much debris and dirt	Guards plug with debris or and soil	Install stub guard kit	6.2.1 Stub Guard Conversion Kit, page 245
Cutterbar pushing too much debris and dirt	Insufficient support for header	Install center skid shoes on header	Cutting on the Ground, page 60
Crop wrapping around reel ends	Uncut crop interfering on reel ends	Add reel endshields	Refer to the header parts catalog
Cutterbar fills up with dirt	Excessive gap between draper and cutterbar	Adjust front deck supports to achieve proper clearance between cutterbar and draper	5.7.5 Adjusting Deck Height, page 182

TROUBLESHOOTING

Symptom	Problem	Solution	Refer to
Cutterbar fills up with dirt	Excessive gap between draper and cutterbar	Raise header fully at each end of field (or as required) and shift decks back and forth to help clean out cutterbar	—
Reel occasionally carries over plants in same location	Steel fingers bent and hooking plants from drapers	Straighten fingers (steel)	—
Reel occasionally carries over plants in same location	Dirt accumulation on end of fingers preventing plants from falling off fingers onto drapers	Raise reel	3.7.8 Reel Height, page 65
Reel occasionally carries over plants in same location	Dirt accumulation on end of fingers preventing plants from falling off fingers onto drapers	Adjust reel fore-aft position to move fingers out of the ground	3.7.9 Reel Fore-Aft Position, page 66
Cutterbar pushing soil	Tire tracks or row crop ridges	Cut at angle to crop rows or ridges	—
Cutterbar pushing soil	Rolling terrain along length of field	Cut at 90° to undulations (provided knife floats across without digging in)	—
Reel carries over an excessive amount of plants or wads	Excessive accumulation of crop on drapers (up to reel center tube)	Increase draper speed	3.7.6 Draper Speed, page 65
Reel carries over an excessive amount of plants or wads	Finger pitch too slow	Increase finger pitch	3.7.10 Reel Tine Pitch, page 67

TROUBLESHOOTING

8.6 Windrow Formation

Symptom	Problem	Solution	Section
Heads on ground and scattered	Draper speed too slow	Increase draper speed	3.7.6 Draper Speed, page 65
Heads on ground and scattered	Draper angle too flat	Increase header angle	3.7.3 Header Angle, page 62
Heads on ground and scattered	Ground speed too slow	Increase ground speed	3.7.5 Ground Speed, page 64
Heads on ground and scattered	Crop too ripe	Cut crop before too mature	—
Hollow in center	Draper speed too slow	Increase draper speed	3.7.6 Draper Speed, page 65
Hollow in center	Delivery opening too wide	Decrease delivery opening width	3.8 Delivery Opening, page 77
All heads in center	Draper speed too fast or header angle too steep	Reduce draper speed and/or decrease header angle	3.7.6 Draper Speed, page 65
All heads in center	Draper speed too fast or header angle too steep	Reduce draper speed and/or decrease header angle	3.7.3 Header Angle, page 62
All heads in center	Ground speed too fast	Reduce ground speed	3.7.5 Ground Speed, page 64
All heads in center	Crop too green	Allow crop to mature	—
All heads to one side	Crop leaning to one side and reel too slow	Increase reel speed to re-orient crop parallel to draper slats and/or increase finger pitch aggressiveness	<ul style="list-style-type: none"> • 3.7.4 Reel Speed, page 63 • 3.7.10 Reel Tine Pitch, page 67
Uneven windrow (any crop condition)	Ground speed too fast for drapers, causing heads to fan out and crop to leave drapers unevenly	Reduce ground speed or increase draper speed	<ul style="list-style-type: none"> • 3.7.5 Ground Speed, page 64 • 3.7.6 Draper Speed, page 65
Uneven windrow (any crop condition)	Reel too low	Raise reel	3.7.8 Reel Height, page 65
Uneven windrow (any crop condition)	Reel speed too fast	Reduce reel speed	3.7.4 Reel Speed, page 63

REFERENCE

Table 9.2 SAE Grade 5 Bolt and Grade F Distorted Thread Nut

Nominal Size (A)	Torque (Nm)		Torque (lbf-ft) (*lbf-in)	
	Min.	Max.	Min.	Max.
1/4-20	8.1	9	*72	*80
5/16-18	16.7	18.5	*149	*164
3/8-16	30	33	22	24
7/16-14	48	53	35	39
1/2-13	73	80	54	59
9/16-12	105	116	77	86
5/8-11	144	160	107	118
3/4-10	259	286	192	212
7/8-9	413	456	306	338
1-8	619	684	459	507

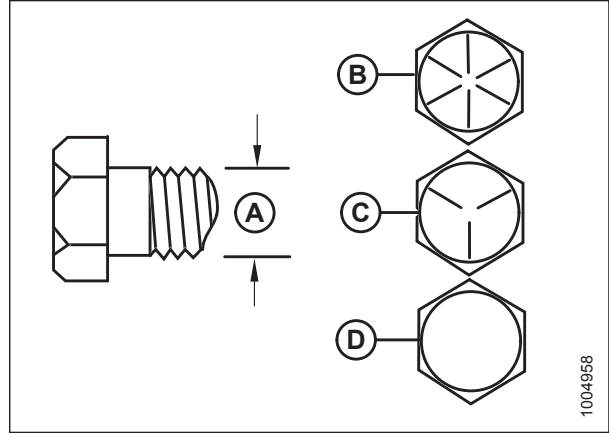


Figure 9.2: Bolt Grades

A - Nominal Size
 B - SAE-8
 C - SAE-5
 D - SAE-2

Table 9.3 SAE Grade 8 Bolt and Grade G Distorted Thread Nut

Nominal Size (A)	Torque (Nm)		Torque (lbf-ft) (*lbf-in)	
	Min.	Max.	Min.	Max.
1/4-20	16.8	18.6	*150	*165
5/16-18	24	26	18	19
3/8-16	42	46	31	34
7/16-14	67	74	50	55
1/2-13	102	113	76	84
9/16-12	148	163	109	121
5/8-11	204	225	151	167
3/4-10	362	400	268	296
7/8-9	583	644	432	477
1-8	874	966	647	716

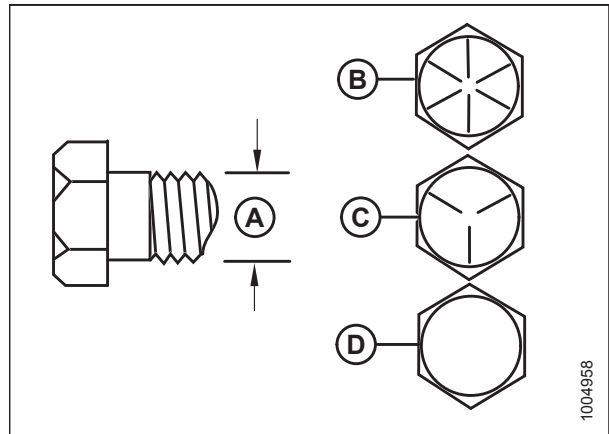


Figure 9.3: Bolt Grades

A - Nominal Size
 B - SAE-8
 C - SAE-5
 D - SAE-2

REFERENCE

Table 9.4 SAE Grade 8 Bolt and Grade 8 Free Spinning Nut

Nominal Size (A)	Torque (Nm)		Torque (lbf·ft) (*lbf·in)	
	Min.	Max.	Min.	Max.
1/4-20	16.8	18.6	*150	*165
5/16-18	35	38	26	28
3/8-16	61	68	46	50
7/16-14	98	109	73	81
1/2-13	150	166	111	123
9/16-12	217	239	160	177
5/8-11	299	330	221	345
3/4-10	531	587	393	435
7/8-9	855	945	633	700
1-8	1165	1288	863	954

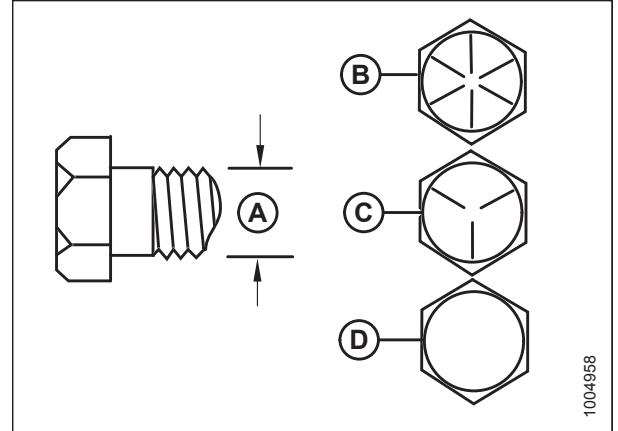


Figure 9.4: Bolt Grades

A - Nominal Size
C - SAE-5

B - SAE-8
D - SAE-2

9.1.2 Metric Bolt Specifications

Table 9.5 Metric Class 8.8 Bolts and Class 9 Free Spinning Nut

Nominal Size (A)	Torque (Nm)		Torque (lbf·ft) (*lbf·in)	
	Min.	Max.	Min.	Max.
3-0.5	1.4	1.6	*13	*14
3.5-0.6	2.2	2.5	*20	*22
4-0.7	3.3	3.7	*29	*32
5-0.8	6.7	7.4	*59	*66
6-1.0	11.4	12.6	*101	*112
8-1.25	28	30	20	23
10-1.5	55	60	40	45
12-1.75	95	105	70	78
14-2.0	152	168	113	124
16-2.0	236	261	175	193
20-2.5	460	509	341	377
24-3.0	796	879	589	651

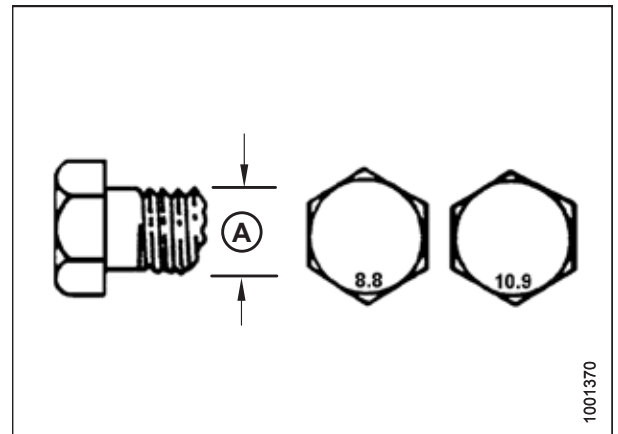


Figure 9.5: Bolt Grades

REFERENCE

Table 9.6 Metric Class 8.8 Bolts and Class 9 Distorted Thread Nut

Nominal Size (A)	Torque (Nm)		Torque (lbf-ft) (*lbf-in)	
	Min.	Max.	Min.	Max.
3-0.5	1	1.1	*9	*10
3.5-0.6	1.5	1.7	*14	*15
4-0.7	2.3	2.5	*20	*22
5-0.8	4.5	5	*40	*45
6-1.0	7.7	8.6	*69	*76
8-1.25	18.8	20.8	*167	*185
10-1.5	37	41	28	30
12-1.75	65	72	48	53
14-2.0	104	115	77	85
16-2.0	161	178	119	132
20-2.5	314	347	233	257
24-3.0	543	600	402	444

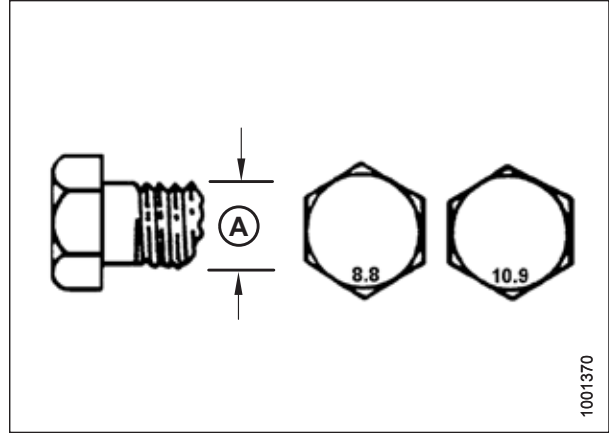


Figure 9.6: Bolt Grades

Table 9.7 Metric Class 10.9 Bolts and Class 10 Free Spinning Nut

Nominal Size (A)	Torque (Nm)		Torque (lbf-ft) (*lbf-in)	
	Min.	Max.	Min.	Max.
3-0.5	1.8	2	*18	*19
3.5-0.6	2.8	3.1	*27	*30
4-0.7	4.2	4.6	*41	*45
5-0.8	8.4	9.3	*82	*91
6-1.0	14.3	15.8	*140	*154
8-1.25	38	42	28	31
10-1.5	75	83	56	62
12-1.75	132	145	97	108
14-2.0	210	232	156	172
16-2.0	326	360	242	267
20-2.5	637	704	472	521
24-3.0	1101	1217	815	901

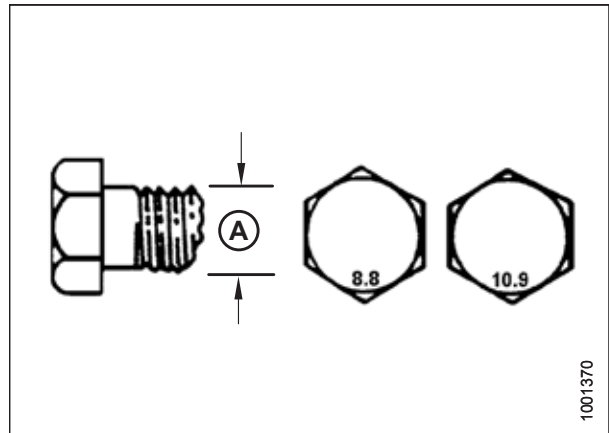


Figure 9.7: Bolt Grades

REFERENCE

Table 9.8 Metric Class 10.9 Bolts and Class 10 Distorted Thread Nut

Nominal Size (A)	Torque (Nm)		Torque (lbf-ft) (*lbf-in)	
	Min.	Max.	Min.	Max.
3-0.5	1.3	1.5	*12	*13
3.5-0.6	2.1	2.3	*19	*21
4-0.7	3.1	3.4	*28	*31
5-0.8	6.3	7	*56	*62
6-1.0	10.7	11.8	*95	*105
8-1.25	26	29	19	21
10-1.5	51	57	38	42
12-1.75	90	99	66	73
14-2.0	143	158	106	117
16-2.0	222	246	165	182
20-2.5	434	480	322	356
24-3.0	750	829	556	614

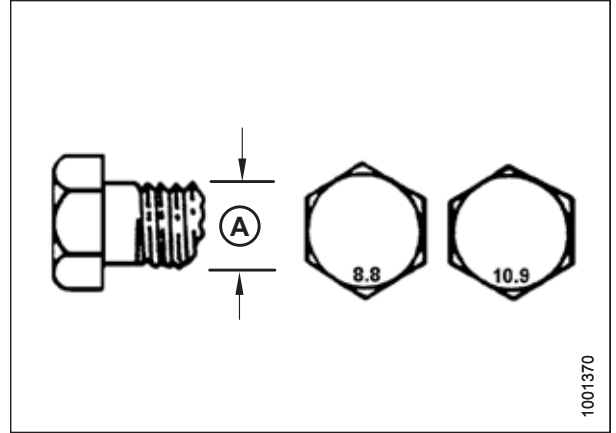


Figure 9.8: Bolt Grades

9.1.3 Metric Bolt Specifications Bolting into Cast Aluminum

Table 9.9 Metric Bolt Bolting into Cast Aluminum

Nominal Size (A)	Bolt Torque			
	8.8 (Cast Aluminum)		10.9 (Cast Aluminum)	
	Nm	lbf-ft	Nm	lbf-ft
M3	–	–	–	1
M4	–	–	4	2.6
M5	–	–	8	5.5
M6	9	6	12	9
M8	20	14	28	20
M10	40	28	55	40
M12	70	52	100	73
M14	–	–	–	–
M16	–	–	–	–

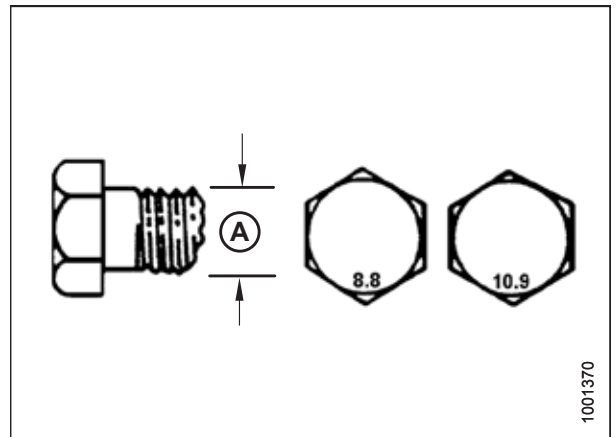


Figure 9.9: Bolt Grades

REFERENCE

9.1.4 Flare-Type Hydraulic Fittings

1. Check flare (A) and flare seat (B) for defects that might cause leakage.
2. Align tube (C) with fitting (D) and thread nut (E) onto fitting without lubrication until contact has been made between flared surfaces.
3. Torque fitting nut (E) to specified number of flats from finger tight (FFFT) or to a given torque value in Table 9.10, page 274.
4. Use two wrenches to prevent fitting (D) from rotating. Place one wrench on fitting body (D), and tighten nut (E) with other wrench to torque shown.
5. Assess final condition of connection.

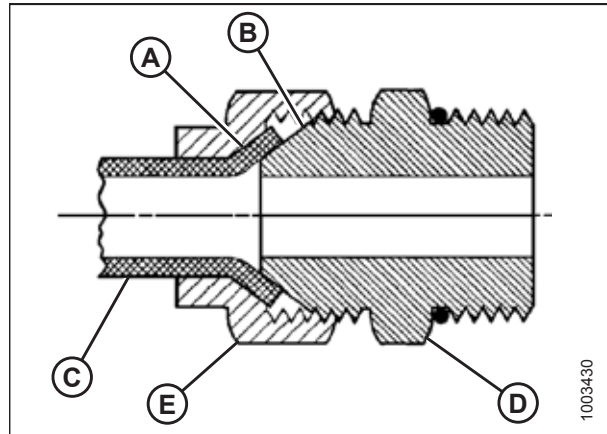


Figure 9.10: Hydraulic Fitting

Table 9.10 Flare-Type Hydraulic Tube Fittings

SAE Dash Size	Thread Size (in.)	Torque Value ⁷⁹		Flats from Finger Tight (FFFT)	
		Nm	lbf-ft	Tube	Swivel Nut or Hose
-2	5/16-24	4-5	3-4	—	—
-3	3/8-24	7-8	5-6	—	—
-4	7/16-20	18-19	13-14	2-1/2	2
-5	1/2-20	19-21	14-15	2	2
-6	9/16-18	30-33	22-24	2	1-1/2
-8	3/4-16	57-63	42-46	2	1-1/2
-10	7/8-14	81-89	60-66	1-1/2	1-1/2
-12	1-1/16-12	113-124	83-91	1-1/2	1-1/4
-14	1-3/16-12	136-149	100-110	1-1/2	1-1/4
-16	1-5/16-12	160-176	118-130	1-1/2	1
-20	1-5/8-12	228-250	168-184	1	1
-24	1-7/8-12	264-291	195-215	1	1
-32	2-1/2-12	359-395	265-291	1	1
-40	3-12	—	—	1	1

79. Torque values shown are based on lubricated connections as in reassembly.

REFERENCE

9.1.5 O-Ring Boss (ORB) Hydraulic Fittings (Adjustable)

1. Inspect O-ring (A) and seat (B) for dirt or obvious defects.
2. Back off lock nut (C) as far as possible. Ensure that washer (D) is loose and is pushed toward lock nut (C) as far as possible.
3. Check that O-ring (A) is **NOT** on threads and adjust if necessary.
4. Apply hydraulic system oil to O-ring (A).

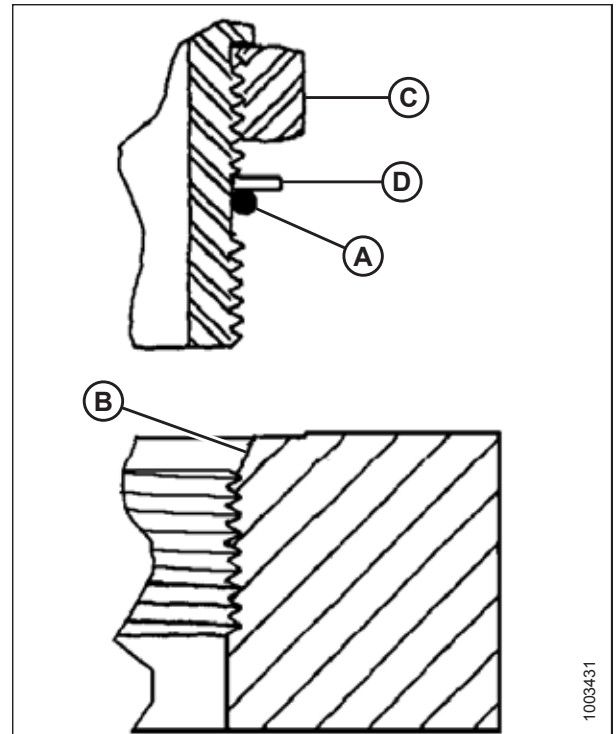


Figure 9.11: Hydraulic Fitting

5. Install fitting (B) into port until back up washer (D) and O-ring (A) contact part face (E).
6. Position angle fittings by unscrewing no more than one turn.
7. Turn lock nut (C) down to washer (D) and tighten to torque shown. Use two wrenches, one on fitting (B) and other on lock nut (C).
8. Check final condition of fitting.

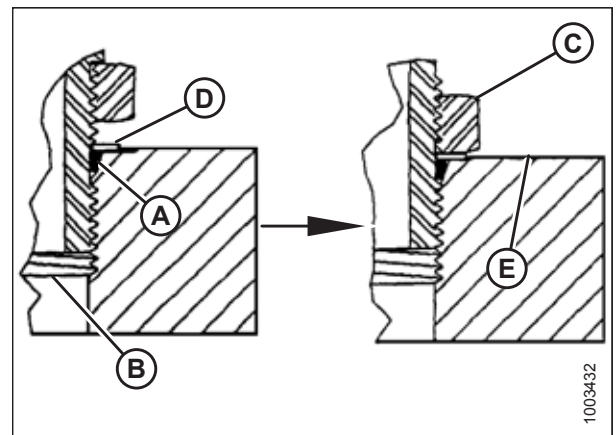


Figure 9.12: Hydraulic Fitting

REFERENCE

Table 9.11 O-Ring Boss (ORB) Hydraulic Fittings (Adjustable)

SAE Dash Size	Thread Size (in.)	Torque Value ⁸⁰	
		Nm	lbf·ft (*lbf·in)
-2	5/16-24	6-7	*53-62
-3	3/8-24	12-13	*106-115
-4	7/16-20	19-21	14-15
-5	1/2-20	21-33	15-24
-6	9/16-18	26-29	19-21
-8	3/4-16	46-50	34-37
-10	7/8-14	75-82	55-60
-12	1-1/16-12	120-132	88-97
-14	1-3/8-12	153-168	113-124
-16	1-5/16-12	176-193	130-142
-20	1-5/8-12	221-243	163-179
-24	1-7/8-12	270-298	199-220
-32	2-1/2-12	332-365	245-269

80. Torque values shown are based on lubricated connections as in reassembly.

REFERENCE

9.1.6 O-Ring Boss (ORB) Hydraulic Fittings (Non-Adjustable)

1. Inspect O-ring (A) and seat (B) for dirt or obvious defects.
2. Check that O-ring (A) is **NOT** on threads and adjust if necessary.
3. Apply hydraulic system oil to O-ring.
4. Install fitting (C) into port until fitting is hand-tight.
5. Torque fitting (C) according to values in Table 9.12, page 277.
6. Check final condition of fitting.

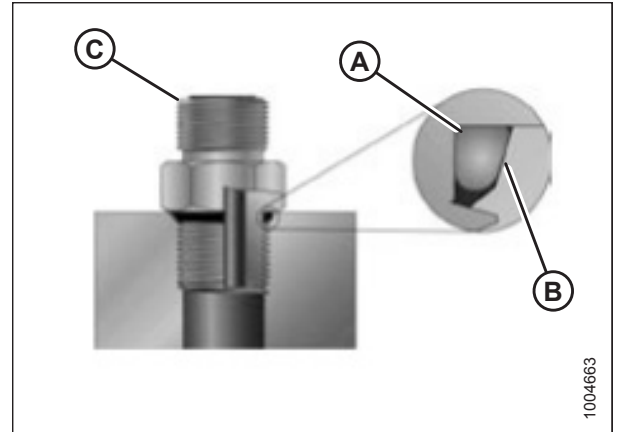


Figure 9.13: Hydraulic Fitting

Table 9.12 O-Ring Boss (ORB) Hydraulic Fittings (Non-Adjustable)

SAE Dash Size	Thread Size (in.)	Torque Value ⁸¹	
		Nm	lbf·ft (*lbf·in)
-2	5/16–24	6–7	*53–62
-3	3/8–24	12–13	*106–115
-4	7/16–20	19–21	14–15
-5	1/2–20	21–33	15–24
-6	9/16–18	26–29	19–21
-8	3/4–16	46–50	34–37
-10	7/8–14	75–82	55–60
-12	1-1/16–12	120–132	88–97
-14	1-3/8–12	153–168	113–124
-16	1-5/16–12	176–193	130–142
-20	1-5/8–12	221–243	163–179
-24	1-7/8–12	270–298	199–220
-32	2-1/2–12	332–365	245–269

81. Torque values shown are based on lubricated connections as in reassembly.

REFERENCE

9.1.7 O-Ring Face Seal (ORFS) Hydraulic Fittings

1. Check components to ensure that sealing surfaces and fitting threads are free of burrs, nicks, scratches, or any foreign material.



Figure 9.14: Hydraulic Fitting

2. Apply hydraulic system oil to O-ring (B).
3. Align tube or hose assembly so that flat face of sleeve (A) or (C) comes in full contact with O-ring (B).
4. Thread tube or hose nut (D) until hand-tight. The nut should turn freely until it is bottomed out.
5. Torque fittings according to values in Table 9.13, page 278.

NOTE:

If applicable, hold hex on fitting body (E) to prevent rotation of fitting body and hose when tightening fitting nut (D).

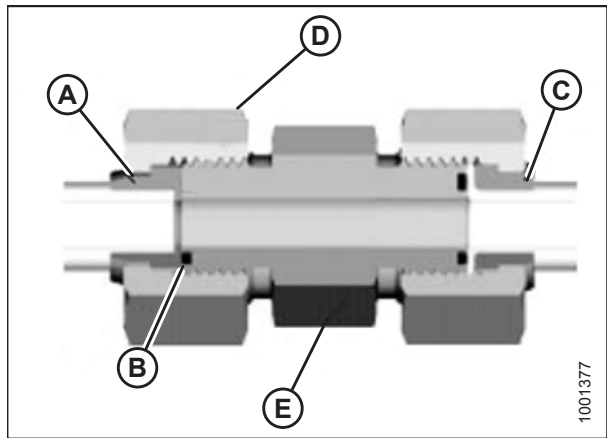


Figure 9.15: Hydraulic Fitting

6. Use three wrenches when assembling unions or joining two hoses together.
7. Check final condition of fitting.

Table 9.13 O-Ring Face Seal (ORFS) Hydraulic Fittings

SAE Dash Size	Thread Size (in.)	Tube O.D. (in.)	Torque Value ⁸²	
			Nm	lbf-ft
-3	Note ⁸³	3/16	–	–
-4	9/16	1/4	25–28	18–21
-5	Note ⁸³	5/16	–	–
-6	11/16	3/8	40–44	29–32
-8	13/16	1/2	55–61	41–45
-10	1	5/8	80–88	59–65
-12	1-3/16	3/4	115–127	85–94

82. Torque values and angles shown are based on lubricated connection as in reassembly.

83. O-ring face seal type end not defined for this tube size.

REFERENCE

Table 9.13 O-Ring Face Seal (ORFS) Hydraulic Fittings (continued)

SAE Dash Size	Thread Size (in.)	Tube O.D. (in.)	Torque Value ⁸⁴	
			Nm	lbf·ft
-14	Note ⁸³	7/8	–	–
-16	1-7/16	1	150–165	111–122
-20	1-11/16	1-1/4	205–226	151–167
-24	1–2	1-1/2	315–347	232–256
-32	2-1/2	2	510–561	376–414

9.1.8 Tapered Pipe Thread Fittings

Assemble pipe fittings as follows:

1. Check components to ensure that fitting and port threads are free of burrs, nicks and scratches, or any form of contamination.
2. Apply pipe thread sealant (paste type) to external pipe threads.
3. Thread fitting into port until hand-tight.
4. Torque connector to appropriate torque angle. The Turns From Finger Tight (TFFT) values are shown in Table 9.14, page 279. Make sure that tube end of a shaped connector (typically 45 degree or 90 degree) is aligned to receive incoming tube or hose assembly. Always finish alignment of fitting in tightening direction. Never back off (loosen) pipe threaded connectors to achieve alignment.
5. Clean all residue and any excess thread conditioner with appropriate cleaner.
6. Assess final condition of fitting. Pay special attention to possibility of cracks to port opening.
7. Mark final position of fitting. If a fitting leaks, disassemble fitting and check for damage.

NOTE:

Overtorque failure of fittings may not be evident until fittings are disassembled.

Table 9.14 Hydraulic Fitting Pipe Thread

Tapered Pipe Thread Size	Recommended TFFT	Recommended FFFT
1/8–27	2–3	12–18
1/4–18	2–3	12–18
3/8–18	2–3	12–18
1/2–14	2–3	12–18
3/4–14	1.5–2.5	12–18
1–11 1/2	1.5–2.5	9–15
1 1/4–11 1/2	1.5–2.5	9–15
1 1/2–11 1/2	1.5–2.5	9–15
2–11 1/2	1.5–2.5	9–15

84. Torque values and angles shown are based on lubricated connection as in reassembly.

REFERENCE

9.2 Conversion Chart

Table 9.15 Conversion Chart

Quantity	SI Units (Metric)		Factor	US Customary Units (Standard)	
	Unit Name	Abbreviation		Unit Name	Abbreviation
Area	hectare	ha	$\times 2.4710 =$	acre	acres
Flow	liters per minute	L/min	$\times 0.2642 =$	US gallons per minute	gpm
Force	Newton	N	$\times 0.2248 =$	pound force	lbf
Length	millimeter	mm	$\times 0.0394 =$	inch	in.
Length	meter	m	$\times 3.2808 =$	foot	ft.
Power	kilowatt	kW	$\times 1.341 =$	horsepower	hp
Pressure	kilopascal	kPa	$\times 0.145 =$	pounds per square inch	psi
Pressure	megapascal	MPa	$\times 145.038 =$	pounds per square inch	psi
Pressure	bar (Non-SI)	bar	$\times 14.5038 =$	pounds per square inch	psi
Torque	Newton meter	Nm	$\times 0.7376 =$	pound feet or foot pounds	lbf-ft
Torque	Newton meter	Nm	$\times 8.8507 =$	pound inches or inch pounds	lbf-in
Temperature	degrees Celsius	°C	$(^{\circ}\text{C} \times 1.8) + 32 =$	degrees Fahrenheit	°F
Velocity	meters per minute	m/min	$\times 3.2808 =$	feet per minute	ft/min
Velocity	meters per second	m/s	$\times 3.2808 =$	feet per second	ft/s
Velocity	kilometers per hour	km/h	$\times 0.6214 =$	miles per hour	mph
Volume	liter	L	$\times 0.2642 =$	US gallon	US gal
Volume	milliliter	ml	$\times 0.0338 =$	ounce	oz.
Volume	cubic centimeter	cm ³ or cc	$\times 0.061 =$	cubic inch	in. ³
Weight	kilogram	kg	$\times 2.2046 =$	pound	lb.

Index

A

API	
definition	23
ASTM	
definition	23
axle bolts	241

B

bearings	
header draper	
inspecting draper roller bearing	185
idler roller bearings	
replacing	186
knifehead bearings	
installing	134
removing	133
belts	
adjusting belt tracking	172
knife drive belts	159
timed V-belts	
installing	163
removing	163
timed, DK	
tensioning	168
timed, double knife	163
installing	165
removing	164
untimed	159
installing	160
removing	159
tensioning	162
bolts	
definition	23
break-in inspections	118
break-in periods	41

C

cab-forward	
definition	23
cams	
adjusting reel cam	69
reel cam settings	67
center-links	23
definition	23
centering	
double reel	201
single reel	202
CGVW	

definition	23
chains	
reel drive chain	
adjusting chain tension	227
loosening	227
replacing on single-reel drive	239
tightening	228
combines	
transporting header	
towing the header	90
attaching to towing vehicle	90
component identification	26
conversion chart	280
crop delivery	
options	248
crop divider rods	75
installing	76
removing	75
crop dividers	70
installing on header with latch option	72
installing on header without latch option	73
removing from header with latch option	70
removing from header without latch option	71
cutterbars	132
options	245
unplugging	87
cutting	
height	56
off the ground	56
adjusting stabilizer wheels	58
adjusting stabilizer/slow speed transport	
wheels	57
on the ground	60

D

D1X series headers	
definition	23
D1XL series headers	
definition	23
daily start-up checks	40
DDD	
definition	23
decals locations	8
definition of terms	23
delivery openings	77
adjusting using hydraulic deck shift	79
adjusting using manual deck shift	78
divider latch kits	246
divider rods	75
installing	76

INDEX

removing	75
DK	
definition	23
DKD	
definition	23
double draper drives	248
DR	
definition	23
draper decks	
adjusting deck height	182
drive rollers	189
idler rollers	185
shifting decks hydraulically	81
draper deflectors	
narrow	248
installing	194
removing	193
replacing	193
wide	
wide draper deflector option	248
draper drive systems	
adjusting draper tension	179
draper	
adjusting draper tracking	181
header draper	
maintaining draper rollers	185
draper extension kits	249
draper roller bearings	
inspecting	185
drapers	176
adjusting	
draper tension	179
draper tracking	181
draper decks	
drive rollers	189
installing	192
removing	189
replacing bearing	191
idler rollers	185
installing	188
removing	185
replacing bearing	186
draper rollers	
maintaining	185
installing drapers	177
removing drapers	176
speed	65
drying agents	85
DWA	
definition	23

E

electrical system	
how it works	127
maintaining electrical system	127
replacing light bulbs	129
endshields	35
checking and adjusting	38
closing	36
installing	37
opening	35
removing	37
engine-forward	
definition	23

F

FFFT	
definition	23
finger tight	
definition	23
fingers	
plastic reel fingers	
installing	206
removing	205
steel reel fingers	
installing	204
removing	203
frown	
adjusting reel frown	200

G

glossary	23
greasing	
every 10 hours	122
every 100 hours	123
every 25 hours	122
every 250 hours	124
every 500 hours	126
maintenance schedule/records	116
ground speeds	64
guards	136
<i>See also</i> hold-downs	
knife guards	136
adjusting knife guards	136
replacing pointed guards	138
replacing stub guards	141
stub guard conversion kit	245
GVW	
definition	23

INDEX

H

hard joint	
definition	23
hayage tips	84
chemical drying agents	85
curing	84
driving on windrows	85
raking and tedding	85
topsoil moisture	84
weather and topography	84
windrow characteristics	85
HDS	
definition	23
header	
definition	23
header angles	
adjusting	63
adjustment range	62
header drapers	
inspecting draper roller bearing	185
header float	61
header safety props	33
headers	
assembly	251
attaching headers	
M1170 windrowers	107
M1240 windrowers	107
attachments	44
controls	43
detaching headers	
M1170 windrowers	110
M1240 windrowers	110
operating variables	56
options	246
recommended settings	44
setup	44
towing the header	90
transporting header	
towing the header	90
attaching to towing vehicle	90
transporting on windrowers	89
hex keys	
definition	23
hold-downs	
adjusting hold-downs with pointed guards	143
adjusting hold-downs with stub guards	144
checking hold-downs	142
hoses and lines	
hydraulic	120
hp	
definition	23
hydraulic deck shifts	81
hydraulics	

fittings	
flare-type	274
O-ring boss (ORB) adjustable	275
O-ring boss (ORB) non-adjustable	277
O-ring face seal (ORFS)	278
tapered pipe thread fittings	279
hoses and lines	120
hydraulic safety	6

I

idler rollers	
replacing idler roller bearing	186
inspections	
break-in inspections	118
maintenance schedule/records	116
ISC	
definition	23

J

JIC	
definition	23

K

knife	
definition	23
knife drive belts, <i>See</i> belts	
knife drive boxes	
adjusting fore-aft	155
adjusting squareness	154
changing oil	158
checking mounting bolts	146
installing box	151
installing pulley	150
removing box	147
removing pulley	150
knife drive system	146
knife drive box	146
knife drives	
adjusting double knife timing	170
hold-downs	
adjusting hold-downs with pointed guards	143
adjusting hold-downs with stub guards	144
checking knife hold-downs	142
knife drive belts, <i>See</i> belts	
knife guards	136
<i>See also</i> hold-downs	
adjusting guards	136
checking guards	136
replacing pointed guards	138

INDEX

replacing stub guards	141
knifehead bearings	
installing	134
removing	133
knifehead shields	145
installing	145
knives	
installing knife	135
knife sections	
replacing	132
knife speed	65
removing knife	133
spare knife location	136

L

light bulbs	
replacing	129
lodged crop reel finger kits	243
lubrication and servicing	121

M

maintenance and servicing	113
electrical	127
lubrication	122
maintenance requirements	115
maintenance specifications	114
preparing for servicing	113
preseason servicing	118
safety	5
schedule	116
service intervals	122
maintenance requirements	
lubrication and servicing	121
greasing procedure	121
maintenance records	116
servicing	
break-in inspections	118
end of season servicing	119
maintenance schedule/records	116
MDS	
definition	23
metric bolts – torque specifications	271
model numbers	
records	iv
moisture	84
motors	
reel drive motors	234
installing	235
removing	234

N

N-DETENT	
definition	23
n/a	
definition	23
NPT	
definition	23
nut	
definition	23

O

oils	
changing knife drive box oil	158
operating variables	
headers	56
operations	31
operator responsibilities	31
options	243
crop delivery	248
double draper drive (DDD) kit	248
draper deflector (narrow)	248
draper deflector (wide)	248
draper extension kit	249
swath rods	
center delivery	249
end delivery	249
upper cross auger (UCA)	88, 249
cutterbars	245
stub guard conversion kit	245
vertical knife mount kit	245
header	246
divider latch kits	246
rice divider rods	250
wheels	
stabilizer wheels	246
stabilizer wheels and slow speed transport	
package	247
knifehead shields	145
installing	145
lodged crop reel finger kit	243
PR15 pick-up reels	
reel endshield kit	243
reel drive sprockets	63
reels	243
reel endshield kit	243
tine tube reinforcing kit	244
transport systems	240
ORB	
definition	23
ORFS	
definition	23
owner responsibilities	31

INDEX

P

pick-up reels, See PR15 pick-up reels	
PR15 pick-up reels	196
centering	
double reels	201
single reel	202
drive chains	
replacing (DR)	236
using break the chain method	238
using reel drive method	236
frown	200
adjusting reel frown	200
options	243
reel cam	
adjusting reel cam	69
settings and guidelines	67
reel clearance	196
adjusting	199
measuring	197
reel drive chains	
adjusting chain tension	227
loosening	227
replacing on single-reel drive	239
tightening	228
reel drive motors	234
installing	235
removing	234
reel drives	
covers	224
installing	225
removing	224
double-reel U-joint	232
installing	233
removing	232
drive sprockets	230
installing	231
removing	230
reel endshields	219
replacing endshield supports	222
replacing endshields	219
replacing right reel on double-reel header	221
reel fingers	203
installing plastic fingers	206
installing steel fingers	204
removing plastic fingers	205
removing steel fingers	203
reel height	65
reel height sensor	130
reel safety props	33
disengaging	34
engaging	33
reel speed	63
reel system	224

reel tine pitch	67
tine tube bushings	207
installing on 5-, 6- or 9-bat reels	212
removing from 5-, 6-, or 9-bat reels	207
preseason servicing	118
product overview	23

R

raking	85
recommended fluids and lubricants	289
recommended settings	
header	44
reels	54
reel clearance	
adjusting	199
measuring	197
reel drive chains	
loosening	227
replacing on single-reel drive	239
tightening	228
reel drive motors	234
installing	235
removing	234
reel drives	
double-reel U-joint	232
installing	233
removing	232
drive chains	
replacing chain (DR)	236
using break the chain method	238
using reel drive method	236
sprockets	63
reel endshields	219
kit	243
replacing endshield supports	222
replacing endshields	219, 221
reel fingers	203
plastic	
installing	206
removing	205
steel	
installing	204
removing	203
reel fore-aft positions	66
adjusting	66
reel frown	200
adjusting	200
reel safety props	33
disengaging	34
engaging	33
reel speeds	63
reel system	224

INDEX

- reels
 - centering
 - double reel 201
 - single reel 202
 - centering the reel 201
 - fore-aft positions
 - adjusting 66
 - recommended settings 54
 - reference
 - maintenance requirements 115
 - rice divider rods (option)..... 250
 - RoHS
 - definition 23
 - roller chains
 - installing 114
 - rpm
 - definition 23
- S**
- SAE
 - bolt torques 269
 - definition 23
 - safety 1
 - daily start-up checks 40
 - decals 8
 - general safety 3
 - header safety props 33
 - hydraulic safety 6
 - maintenance safety 5
 - operational safety 32
 - reel safety props 33
 - safety alert symbols 1
 - safety sign decals 7
 - installing decals 7
 - interpreting decals 16
 - signal words 2
 - screws
 - definition 23
 - SDD
 - definition 23
 - sealed bearings
 - installing 114
 - self-propelled windrower
 - definition 23
 - sensors
 - checking and adjusting reel height sensor 130
 - serial numbers
 - locations iv
 - records iv
 - service intervals
 - lubrication 122
 - servicing, See maintenance and servicing
 - setting up the header 251
 - shutting down procedures 42
 - skid shoes
 - adjusting 60
 - slow speed transport package 247
 - soft joint
 - definition 23
 - spare knives 136
 - specifications
 - product specifications 27
 - torque specifications 269
 - speeds
 - draper speed 65
 - ground speed 64
 - reel speed 63
 - spm
 - definition 23
 - sprockets 224–225, 230
 - adjusting reel drive chain tension 227
 - installing reel drive sprocket 231
 - loosening reel drive chain 227
 - optional reel drive sprockets 63
 - removing reel drive sprocket 230
 - tightening reel drive chain 228
 - SR
 - definition 23
 - stabilizer wheels 246–247
 - adjusting 58
 - stabilizer/slow speed transport wheels
 - adjusting 57
 - start-up
 - daily checks 40
 - stub guard conversion kits 245
 - swath rods
 - center delivery (option) 249
 - end delivery (option) 249
- T**
- tedding 85
 - tension
 - definition 23
 - TFFT
 - definition 23
 - tine tubes
 - bushings
 - installing on 5-, 6- or 9-bat reels 212
 - removing from 5-, 6-, or 9-bat reels 207
 - tine tube reinforcing kit 244
 - tire inflation/pressures 242
 - topography 84
 - torque
 - definition 23

INDEX

torque angles		
definition	23	
torque specifications	269	
axle bolts	241	
flare-type hydraulic fittings	274	
metric bolt specifications	271	
bolting into cast aluminum	273	
O-ring boss (ORB) hydraulic fittings		
(adjustable)	275	
O-ring boss (ORB) hydraulic fittings (non-adjustable)	277	
O-ring face seal (ORFS) fittings	278	
SAE bolt torque specifications	269	
tapered pipe thread fittings	279	
torque-tension		
definition	23	
tow-bars		
attaching	103	
removing	91	
storing	92	
towing the header	90	
attaching to towing vehicle	90	
attaching tow-bars	103	
converting from field to transport	98	
moving wheels		
front (left) wheels to transport position	98	
rear (right) wheels to transport position	100	
converting from transport to field	91	
moving wheels		
front (left) wheels to field position	94	
rear (right) wheels to field position	95	
removing tow-bar	91	
storing tow-bar	92	
transport systems	240	
axle bolt torques	241	
converting from field to transport	98	
moving rear (right) wheels to transport position	100	
moving wheels		
front (left) wheels to transport position	98	
converting from transport to field	91	
moving wheels		
front (left) wheels to field position	94	
rear (right) wheels to field position	95	
removing tow-bar	91	
storing tow-bar	92	
header on windrower	89	
tire inflation/pressures	242	
tow-bars		
attaching	103	
transporting header	89	
towing the header	90	
attaching to towing vehicle	90	
wheel bolt torques	240	
troubleshooting	253	
crop loss at cutterbar	253	
cutting action and knife components	256	
cutting edible beans	264	
header and drapers	262	
reel delivery	259	
windrow formation	268	
trucks		
definition	23	
U		
U-joints		
double-reel U-joint	232	
installing	233	
removing	232	
UCA		
definition	23	
unloading	251	
unplugging		
cutterbar	87	
upper cross augers (option)	88, 249	
V		
vertical knife mount kit	245	
W		
washers		
definition	23	
weather	84	
wheels and tires		
stabilizer wheels (option)	246	
stabilizer wheels and slow speed transport package (option)	247	
tire inflation/pressures	242	
wheel bolt torques	240	
windrowers		
attaching headers		
M1170 windrowers	107	
M1240 windrowers	107	
definition	23	
detaching headers		
M1170 windrowers	110	
M1240 windrowers	110	
header attachment/detachment	107	
transporting headers	89	
windrows		
delivery openings	77	
double windrowing	81	
driving on windrows	85	

INDEX

types of windrows	82
windrow characteristics	85
wobble boxes, See knife drive system, knife drive box	

Recommended Fluids and Lubricants

Ensure your machine operates at top efficiency by using clean fluids and lubricants only.

- Use clean containers to handle all fluids and lubricants.
- Store fluids and lubricants in an area protected from dust, moisture, and other contaminants.

Table .16 Recommended Fluids and Lubricants

Lubricant	Specification	Description	Use	Capacities
Grease	SAE multi-purpose	High temperature extreme pressure (EP) performance with 1% max. Molybdenum Disulphide (NLGI Grade 2) lithium base	As required unless otherwise specified	—
Gear lubricant	SAE 85W-140	API service class GL-5	Knife drive box	2.2 liters (2.3 quarts)



MacDon Industries Ltd.

680 Moray Street
Winnipeg, Manitoba
Canada R3J 3S3
t. (204) 885-5590 f. (204) 832-7749

MacDon, Inc.

10708 N. Pomona Avenue
Kansas City, Missouri
United States 64153-1924
t. (816) 891-7313 f. (816) 891-7323

MacDon Australia Pty. Ltd.

A.C.N. 079 393 721
P.O. Box 103 Somerton, Victoria, Australia
Australia 3061
t.+61 3 8301 1911 f.+61 3 8301 1912

MacDon Brasil Agribusiness Ltda.

Rua Grã Nicco, 113, sala 202, B. 02
Mossunguê, Curitiba, Paraná
CEP 81200-200 Brasil
t. +55 (41) 2101-1713 f. +55 (41) 2101-1699

LLC MacDon Russia Ltd.

123317 Moscow, Russia
10 Presnenskaya nab, Block C
Floor 5, Office No. 534, Regus Business Centre
t. +7 495 775 6971 f. +7 495 967 7600

CUSTOMERS

MacDon.com

DEALERS

Portal.MacDon.com

Trademarks of products are the marks of their
respective manufacturers and/or distributors.

Printed in Canada