

MacDon[®] *The Harvesting Specialists.*



Performance Options

D1 Draper & FD1 FlexDraper[®] for Combine

Performance Options

MacDon 1 Series FlexDraper® and Draper headers are designed to maximize productivity in the most challenging harvesting conditions. Depending on your crop or field conditions you might need an extra oomph to get the absolute most from your harvest. MacDon Performance Options make a good thing even better with unique performance enhancements created to meet your specific harvesting challenges. Performance Options are built tough to deliver MacDon's legendary performance and reliability.

Any crop. Any condition. Every harvest.

MacDon Performance Options take your 1 Series headers to the next level.



TABLE OF CONTENTS

Upper Cross Auger	3
Spare Knife	7
In-Cab Draper Speed Control	8
Auto Lateral Tilt Kit	10
Header Tilt Foot Switch	12
Rock Retarder Kit	13
Crop Lifters & Crop Lifter Rack	15
Short Brace Kits (For Outboard Reel Arms & Center Reel Arm)	17
Multi-Crop Rapid Reel Conversion Kit	19
Hillside Extension Kit (For Hydraulic Reservoir Fill)	21
Feed Auger Flighting Extension Kit	23
Stripper Bar Kits	25
Rice Divider Rods	27
Divider Latches	28
Slow Speed Transport Package / Stabilizer Wheels	30
Stabilizer Wheel Kits	36
Spare Cutterbar Wearplates	39
Stub Guards	40
Tine Tube Reinforcing Kit (For Rigid Headers)	42
6 Bat & 9 Bat Reel Conversion Kits	44
Stubble Light Kit	48
Contour Buddy (Contour Wheels)	49
Extended Center Filler	51
Steel Skid Shoes	52

Upper Cross Auger



WHAT IT IS/DOES

The upper cross auger attaches in front of the backtube and improves crop feeding into the center of the header in heavy crop conditions. It is ideal for high-volume harvesting of forages, peas, canola, mustard and other tall, bushy, hard to feed crops. It prevents crop from balling up on the drapers and flowing over the backtube.

FEATURES/BENEFITS

- » Moves heavy, bushy, high-volume crops to the center of the header for smooth feeding
- » Runs the full length of the header on sizes up to 40 feet*
- » Twin pitch flighting at the center of the auger aggressively drives crop into the combine
- » Features a shut-off valve to disengage the drive when the auger is not required

Notes:

* On 45 foot model the Upper Cross Auger does not run the full length of the header.

IDEAL FOR THESE CROP CONDITIONS

High volume and bushy crop conditions.

IDEAL FOR THESE FIELD CONDITIONS

Any field condition.

IDEAL FOR THESE AREAS

Any area.



SPECIFICS

Available For:

D1 & FDI (All Sizes)

Bundle #:

15' (4.6 m)	B6280
20' (6.1 m)	B6281
25' (7.6 m) Rigid	B6461
25' (7.6 m) Flex	B6872
30' (9.1 m)	B6462
35' (10.7 m)	B6463
40' (12.2 m)	B6464
45' (13.7 m)	B6465

Weight:

15' (4.6 m)	115lbs (53kg)
20' (6.1 m)	135 lbs (61 kg)
25' (7.6 m) Rigid	205 lbs (93 kg)
25' (7.6 m) Flex	205 lbs (93 kg)
30' (9.1 m)	235 lbs (106.5 kg)
35' (10.7 m)	265 lbs (120 kg)
40' (12.2 m)	295 lbs (134 kg)
45' (13.7 m)	300 lbs (136 kg)

Dealer Set-Up Time:

All Sizes	3.5 hours
-----------	-----------

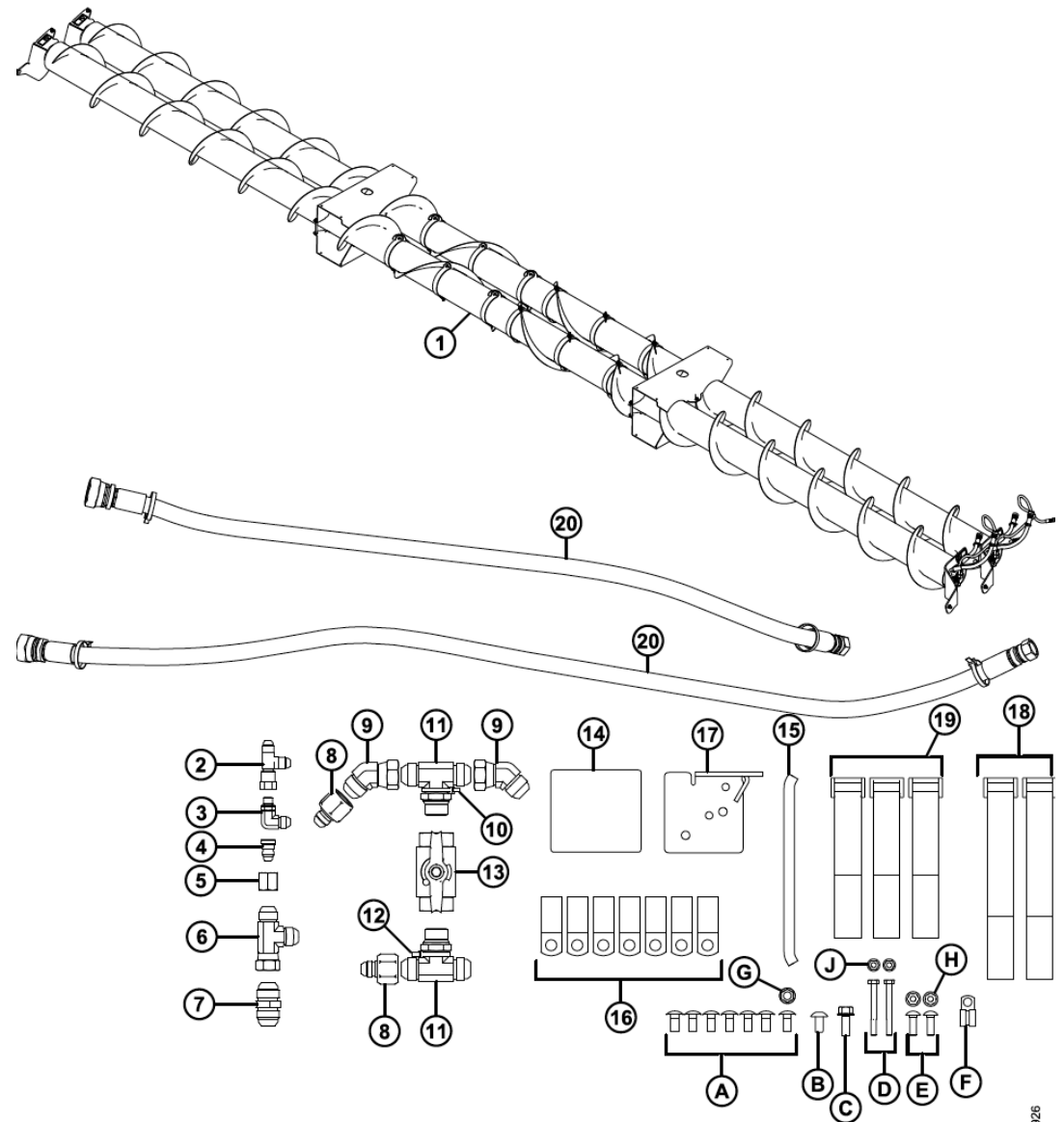


Download Installation Instructions

1. Click on this download icon
2. Log into the MacDon Dealer Portal
3. Search for **214389**

PARTS LIST - Upper Cross Auger (25 foot D1 headers)

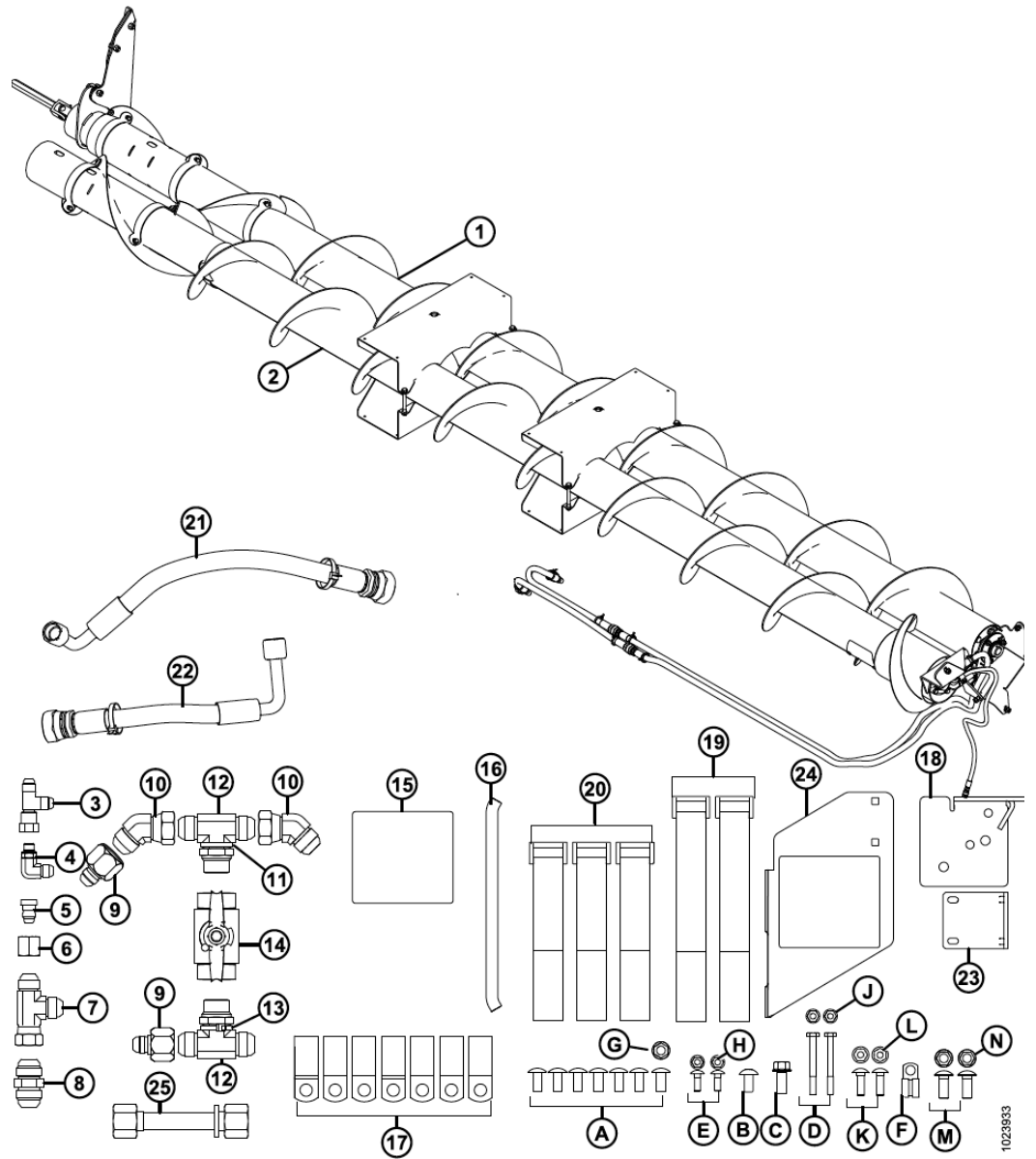
REF	PART #	DESCRIPTION	QTY
1	294431	ASSY – UPPER CROSS AUGER (UCA) NA	1
2	94550	ASSY – UPPER CROSS AUGER (UCA) EU	1
2	294194	FITTING – HYD.TEE	1
3	50104	FITTING – ELBOW HYD	1
4	30981	FITTING – ADAPTER HYD REDUCER 1/2 X 3/8	1
5	21069	NUT – TUBE 37° JIC 1/2"	1
6	108268	FITTING – HYD TEE	1
7	30376	FITTING – UNION HYD	1
8	136952	FITTING – ADAPTER HYD	2
9	135240	FITTING – ELBOW 45° HYD	2
10	252795	FASTENER – CABLE TIE, PINK	5
11	50050	FITTING – HYD.STR. THD. BRANCH TEE C/W O – RING	2
12	252794	FASTENER – CABLE TIE, PURPLE	1
13	294263	VALVE – BALL	1
14	294050	DECAL – UPPER CROSS AUGER VALVE	1
15	45427	MOULDING – RH	1
16	103738	CLAMP – PVC INSULATED 13/16" TUBE SIZE	7
17	279966	BRACKET – BV MOUNT, RIGID	1
18	135444	CINCH STRAP 6" LG	2
19	135443	CINCH STRAP 4" LG	3
20	294220	HOSE – HYD	2
A	21863	BOLT – RHSSN 3/8 NC X 0.75 LG GR 5 ZP	7
B	135157	SCREW – MACHINE	1
C	135966	BOLT – HH FLG (SM FACE) 3/8 NC X 1.0 GR 5 ZP	1
D	21854	BOLT – HH 1/4 NC X 2.5 LG GR 5 ZP	2
E	136824	BOLT – RHSSN M8X1.25X25 – 8.8 – A2L	2
F	135818	CLAMP – INSULATED 1/2"	1
G	30228	NUT – FLANGE DT SMOOTH FACE 0.375 – 16UNC	20
H	135337	NUT – HEX FLG CTR LOC M8X1.25 – 8 – A2L	2
J	135248	NUT – HEX FLG CTR LOC	2



Note: This is a complete parts list, some parts are assembled before delivery.

PARTS LIST - Upper Cross Auger (30-40 foot DI /FDI headers)

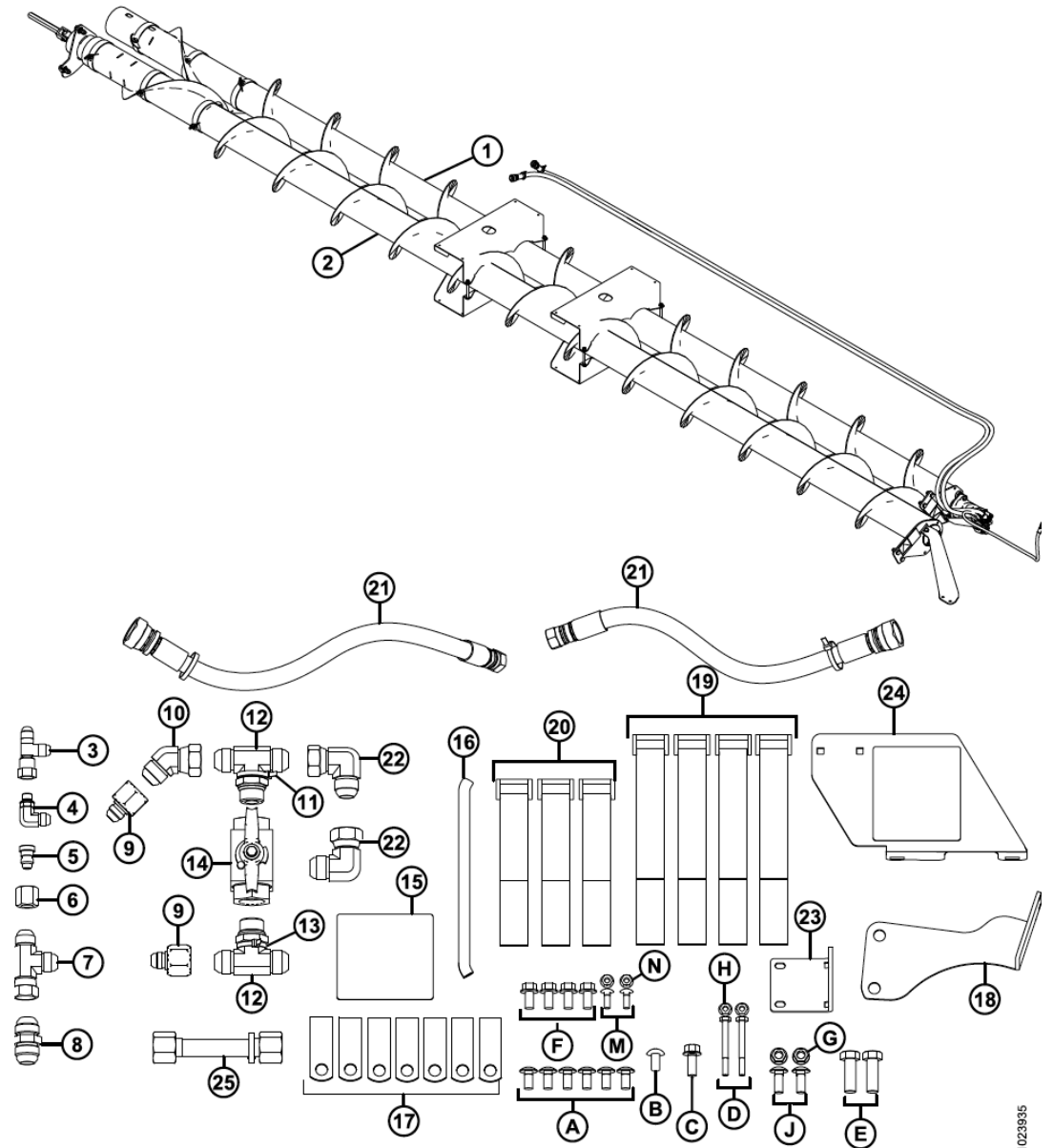
REF	PART #	DESCRIPTION	QTY
1	294432	ASSY – UPPER CROSS AUGER (UCA) – RIGHT 9.1 M (30 FT) NA AND EU	1
1	294433	ASSY – UPPER CROSS AUGER (UCA) – RIGHT 9.1 M (35 FT) NA AND EU	1
1	294434	ASSY – UPPER CROSS AUGER (UCA) – RIGHT 9.1 M (40 FT) NA AND EU	1
2	294195	ASSY – UPPER CROSS AUGER (UCA) – LEFT 9.1 M (30 FT) NA	1
2	94196	ASSY – UPPER CROSS AUGER (UCA) – LEFT 9.1 M (35 FT) NA	1
2	94197	ASSY – UPPER CROSS AUGER (UCA) – LEFT 9.1 M (40 FT) NA	1
2	94551	ASSY – UPPER CROSS AUGER (UCA) – LEFT 9.1 M (30 FT) EU	1
2	94552	ASSY – UPPER CROSS AUGER (UCA) – LEFT 9.1 M (35 FT) EU	1
2	94553	ASSY – UPPER CROSS AUGER (UCA) – LEFT 9.1 M (40 FT) EU	1
3	294194	FITTING – HYD.TEE	1
4	50104	FITTING – ELBOW HYD	1
5	30981	FITTING – ADAPTER HYD REDUCER 1/2 X 3/8	1
6	21069	NUT – TUBE 37° JIC 1/2"	1
7	108268	FITTING – HYD TEE	1
8	30376	FITTING – UNION HYD	1
9	136952	FITTING – ADAPTER HYD	2
10	135240	FITTING – ELBOW 45° HYD	2
11	252795	FASTENER – CABLE TIE, PINK	5
12	50050	FITTING – HYD.STR. THD. BRANCH TEE C/W O – RING	2
13	252794	FASTENER – CABLE TIE, PURPLE	1
14	294263	VALVE – BALL	1
15	294050	DECAL – UPPER CROSS AUGER VALVE	1
16	45427	MOULDING – RH	1
17	103738	CLAMP – PVC INSULATED 13/16" TUBE SIZE	7
18	279966	BRACKET – BV MOUNT, RIGID	1
19	135444	CINCH STRAP 6" LG	2
20	135443	CINCH STRAP 4" LG	3
21	279717	HOSE – HYD	1
22	279716	HOSE – HYD	1
23	294009	BRACKET – HANGER, VALVE MOUNT	1
24	294463	BRACKET – BV MOUNT C/W DECAL	1
25	294007	LINE – HYDRAULIC	1
A	21863	BOLT – RHSSN 3/8 NC X 0.75 LG GR 5 ZP	7
B	135157	SCREW – MACHINE	1
C	135966	BOLT – HH FLG (SM FACE) 3/8 NC X 1.0 GR 5 ZP	1
D	21854	BOLT – HH 1/4 NC X 2.5 LG GR 5 ZP	2
E	136824	BOLT – RHSSN M8X1.25X25 – 8 – A2L	2
F	135818	CLAMP – INSULATED 1/2"	1
G	30228	NUT – FLANGE DT SMOOTH FACE 0.375 – 16UNC	20
H	135337	NUT – HEX FLG CTR LOC M8X1.25 – 8 – A2L	2
J	135248	NUT – HEX FLG CTR LOC	2
K	100456	BOLT – RHSSN 3/8 NC X 1.0 GR 5 ZP	2
L	30228	NUT – FLANGE DT SMOOTH FACE 0.375 – 16UNC	11
M	21476	BOLT – RHSSN 1/4 – 20X.75 – GR5 – ZP	2
N	135248	NUT – HEX FLG CTR LOC	4



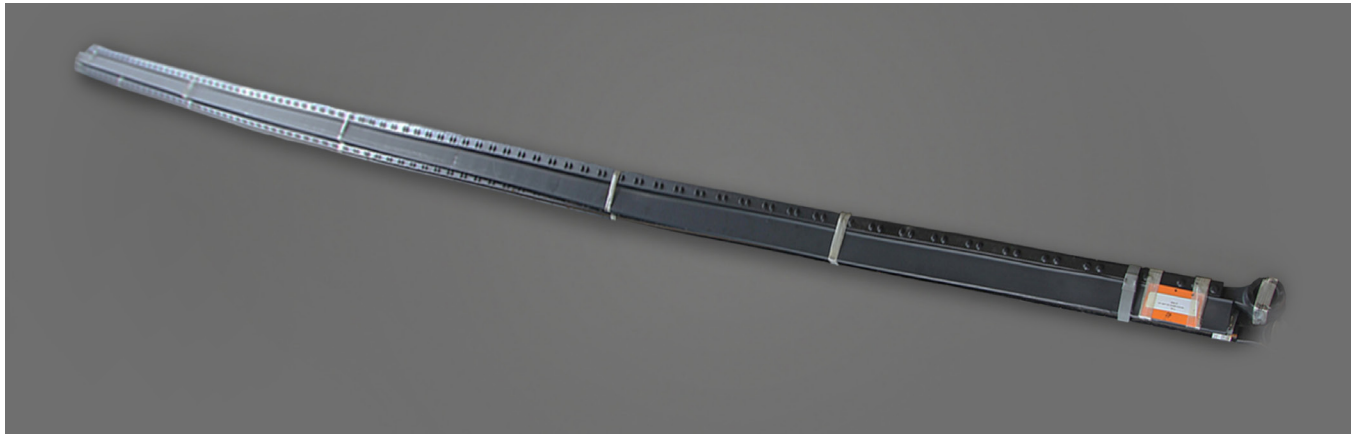
Note: This is a complete parts list, some parts are assembled before delivery.

PARTS LIST - Upper Cross Auger (45 foot D1 /FDI headers)

REF	PART #	DESCRIPTION	QTY
1	275586	ASSY – UPPER CROSS AUGER (UCA) – RIGHT 13.7 M (45 FT) NA AND EU	1
2	294198	ASSY – UPPER CROSS AUGER (UCA) – LEFT 13.7 M (45 FT) NA	1
3	294554	ASSY – UPPER CROSS AUGER (UCA) – LEFT 13.7 M (45 FT) EU	1
4	294194	FITTING – HYD.TEE	1
5	50104	FITTING – ELBOW HYD	1
6	30981	FITTING – ADAPTER HYD REDUCER 1/2 X 3/8	1
7	21069	NUT – TUBE 37° JIC 1/2"	1
8	108268	FITTING – HYD TEE	1
9	30376	FITTING – UNION HYD	1
10	136952	FITTING – ADAPTER HYD	2
11	135240	FITTING – ELBOW 45° HYD	2
12	252795	FASTENER – CABLE TIE, PINK	5
13	50050	FITTING – HYD.STR. THD. BRANCH TEE C/W O – RING	2
14	252794	FASTENER – CABLE TIE, PURPLE	1
15	294263	VALVE – BALL	1
16	294050	DECAL – UPPER CROSS AUGER VALVE	1
17	45427	MOULDING – RH	1
18	103738	CLAMP – PVC INSULATED 13/16" TUBE SIZE	7
19	279834	BRACKET – BALL VALVE	1
20	135444	CINCH STRAP 6" LG	4
21	135443	CINCH STRAP 4" LG	3
22	279715	HOSE – HYD	2
23	50175	FITTING – ELBOW 90° HYD	2
24	294009	BRACKET – HANGER, VALVE MOUNT	1
25	294463	BRACKET – BV MOUNT C/W DECAL	1
	294007	LINE – HYDRAULIC	1
A	21863	BOLT – RHSSN 3/8 NC X 0.75 LG GR 5 ZP	6
B	135157	SCREW – MACHINE	1
C	135966	BOLT – HH FLG (SM FACE) 3/8 NC X 1.0 GR 5 ZP	1
D	21854	BOLT – HH 1/4 NC X 2.5 LG GR 5 ZP	2
E	18723	BOLT – HH 1/2 NC X 1.5 LG TFL GR 5 ZP	2
F	101897	SCREW – HEX WASH HD THD ROLLING 3/8 NC X 3/4	4
G	30228	NUT – FLANGE DT SMOOTH FACE 0.375 – 16UNC	8
H	135248	NUT – HEX FLG CTR LOC	2
J	100456	BOLT – RHSSN 3/8 NC X 1.0 GR 5 ZP	2



Note: This is a complete parts list, some parts are assembled before delivery.



WHAT IT IS/DOES

This kit is used to replace a damaged knife while in the field with a full length factory replacement. The spare knife is installed at the factory into the backtube of the header before shipping. Never be without a spare knife in the field.

FEATURES/BENEFITS

- » The spare knife is stored out of the way inside the backtube of D1 & FD1 Series headers

IDEAL FOR THESE CROP CONDITIONS

Any condition.

IDEAL FOR THESE FIELD CONDITIONS

Any field condition.

IDEAL FOR THESE AREAS

Any area.



SPECIFICS

Available For:

D1 & FD1 (All Sizes)

Bundle #:

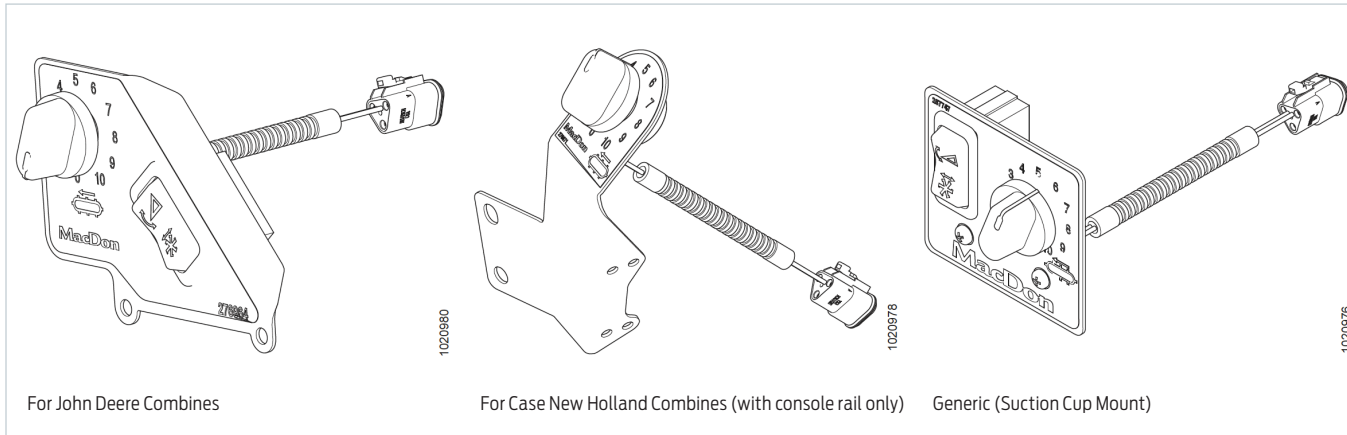
25' (7.6 m) Single Knife Rigid	B4832
25' (7.6 m) Single Knife Flex	B6874
30' (9.1 m) Single Knife	B4833
35' (10.7 m) Single Knife	B4834
40' (12.2 m) Single Knife	B4835
40' (12.2 m) Double Knife	B5610
45' (13.7 m) Double Knife	B5611

Weight:

25' (7.6 m) Single Knife Rigid	46 lbs (20.9 kg)
25' (7.6 m) Single Knife Flex	46 lbs (20.9 kg)
30' (9.1 m) Single Knife	55 lbs (25 kg)
35' (10.7 m) Single Knife	65 lbs (29.5 kg)
40' (12.2 m) Single Knife	75 lbs (34 kg)
40' (12.2 m) Double Knife	80 lbs (36.3 kg)
45' (13.7 m) Double Knife	88 lbs (40 kg)

In-Cab Draper Speed Control

MacDon



WHAT IT IS/DOES

Part of MacDon's FeedMaX™ system, the in-cab side draper speed control allows on-the-go adjustment at the operator's finger tips. This adjustment allows the operator to fine tune the crop flow into the combine for smoother, more consistent threshing as conditions change.

FEATURES/BENEFITS

- » Up to 60% more side draper capacity (over prior models)
- » Combine optimized feeding capacity for peak efficiency
- » In-cab on-the-go control at the operator's finger tips

IDEAL FOR THESE CROP CONDITIONS

Any condition.

IDEAL FOR THESE FIELD CONDITIONS

Any field condition.

IDEAL FOR THESE AREAS

Any area.



SPECIFICS

Available For:

D1 & FD1 (All Sizes) and All Major Combine Brands

Combine Type:

Bundle #:

John Deere	B6701
CNH (with console rail only)	B6702
Generic (Suction Cup Mount)	B6703

Weight:

All types 3 lbs (1.4 kg)

Dealer Set-Up Time:

All Combine Types 1 hour

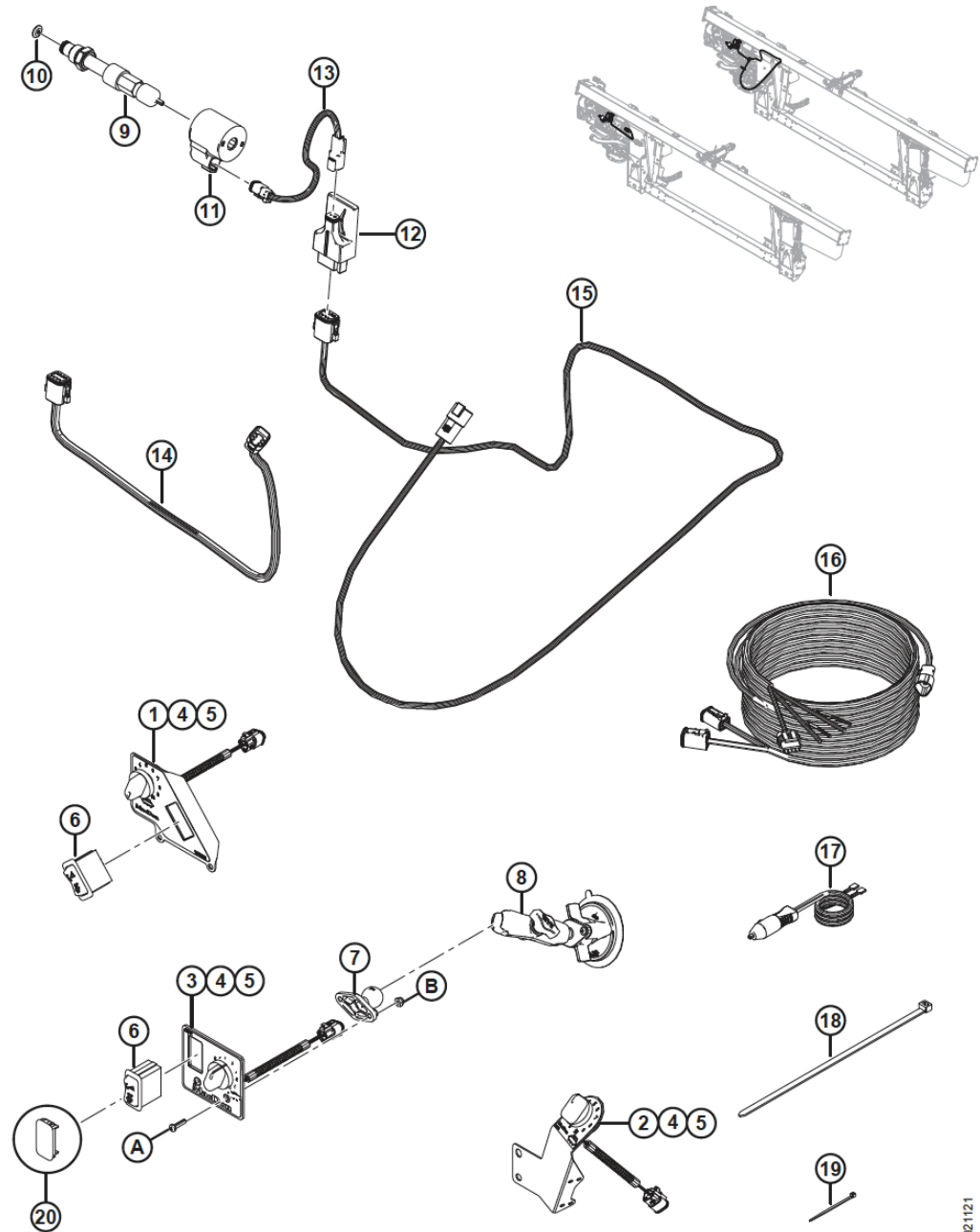


Download Installation Instructions

1. Click on this download icon
2. Log into the MacDon Dealer Portal
3. Search for **214912**

PARTS LIST - In-Cab Draper Speed Control

REF	PART #	DESCRIPTION	QTY		
			B6208	B6385	B6387
	B6208	KIT – IN-CAB SIDE DRAPER SPEED CONTROL (JOHN DEERE)	1	–	–
	B6385	KIT – IN-CAB SIDE DRAPER SPEED CONTROL (CNH) – 1 –	–	–	1
	B6387	KIT – IN-CAB SIDE DRAPER SPEED CONTROL (GENERIC)	–	–	1
1	287945	CONTROL PANEL – ICSDESC, JD	1	–	–
2	276671	CONTROL PANEL – ICSDESC, CNH	–	1	–
3	287944	CONTROL PANEL – ICSDESC, GENERIC	–	–	1
4	213459	POTENTIOMETER – 5K	1	1	1
5	109773	KNOB – PLASTIC	1	1	1
6	287797	SWITCH – ROCKER, TILT	1	–	1
7	287749	BASE – BALL MOUNT	–	–	1
8	287859	BASE – SUCTION CUP WITH ARM	–	–	1
9	276631	VALVE – FLOW CONTROL	1	1	1
	295267	VALVE – FLOW CONTROL	1	1	1
	252351	KIT – SEAL	1	1	1
10	287227	ORIFICE PLATE – 0.18 IN.	1	1	1
11	209045	COIL – SOLENOID	1	1	1
12	213275	VALVE DRIVER – PWM	1	1	1
13	213812	HARNESS – SOLENOID	1	1	1
14	213813	HARNESS – VALVE DRIVER (CNH)	–	1	–
15	287894	HARNESS – VALVE DRIVER	1	–	1
16	213667	HARNESS – CAB DRAPER CONTROL	–	1	1
17	220570	HARNESS – AUX PWR TO QUICK DISC	1	1	1
18	30753	FASTENER – CABLE TIE, BLACK, 305 MM LG	2	2	2
19	16661	FASTENER – CABLE TIE, BLACK, 69 MM LG	15	15	15
20	287784	PLUG – PANEL5	–	–	1
A	135161	SCREW – MACHINE, #10-32 UNF X 0.75 IN.	–	–	2
B	20012	NUT – NYLOC #10-32-GR5-AA3L	–	–	2



Note: This is a complete parts list, some parts are assembled before delivery.

Auto Lateral Tilt Kit

MacDon



WHAT IT IS/DOES

The Auto Lateral Tilt Kit consists of two sensors added to the header height sensing circuit. These sensors provide inputs to enable automatic function of the combines feeder house lateral tilt function, in addition to the standard automatic height control. This provides an increased range of automatic terrain following over rolling or uneven terrain.

FEATURES/BENEFITS

- » Faster feeder house lateral tilt response in rolling and uneven terrain.

Notes:

*Not recommended for use on steep hills.
Not compatible with New Holland combine
10 volt AHHC system.*

IDEAL FOR THESE CROP CONDITIONS

Any condition.

IDEAL FOR THESE FIELD CONDITIONS

Rolling and uneven field condition.
Not ideal for steep hills.

IDEAL FOR THESE AREAS

Areas with rolling and uneven terrain.



SPECIFICS

Available For:

D1 & FD1 (All Sizes) and All Major Combine Brands

Bundle #:

B6211

Weight:

5 lbs (2.3 kg)

Dealer Set-Up Time:

1 hour

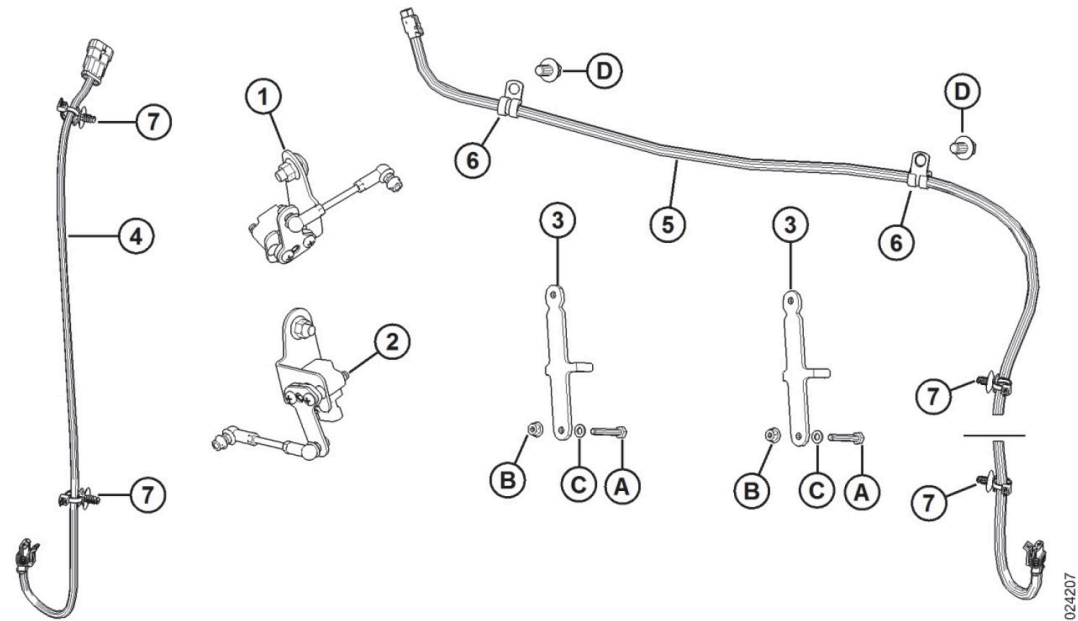


Download Installation Instructions

1. Click on this download icon
2. Log into the MacDon Dealer Portal
3. Search for **214143**

PARTS LIST - Auto Lateral Tilt Kit

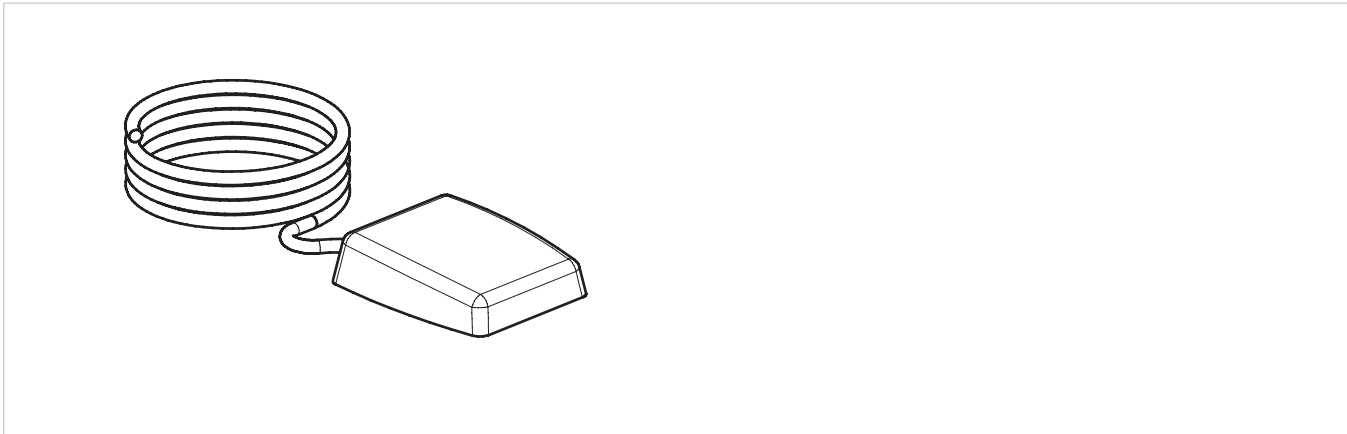
REF	PART #	DESCRIPTION	QTY
1	248843	AHHC SENSOR ASSEMBLY, LH	1
2	213769	AHHC SENSOR ASSEMBLY, RH	1
3	295179	BRACKET - SENSOR LINK	2
4	276201	HARNES - LH HEIGHT SENSOR	1
5	276871	HARNES - RH HEIGHT SENSOR	1
6	136410	CLAMP - INSULATED 3/8 IN.	2
7	136655	FASTENER - FIR TREE MT W/ TIE	4
A	135671	BOLT - HEX HD TFL M6X1X40-8.8-A2L	2
B	152668	NUT - HEX FLG CTR LOC M6X1-8-A2L	2
C	184705	WASHER - FLAT M6-200HV-A2L	2
D	136151	BOLT - HEX FLG HD TFL M10X1.5X16-8.8-A3L	2



1024207

Note: This is a complete parts list, some parts are assembled before delivery.

Header Tilt Foot Switch



WHAT IT IS/DOES

An alternative to the standard MacDon console toggle, this foot switch is placed on the floor of the cab for foot operation. This allows the operator to change between reel fore/aft and header tilt without taking his hand off the multifunction handle

Notes:

*John Deere and AGCO combines only.
In addition to standard rocker switch.*

IDEAL FOR THESE CROP CONDITIONS

Any condition.

IDEAL FOR THESE FIELD CONDITIONS

Any field condition.

IDEAL FOR THESE AREAS

Any area.



SPECIFICS

Available For:

John Deere and AGCO combines only

Bundle #:

B6212

Weight:

1 lbs (.45 kg)

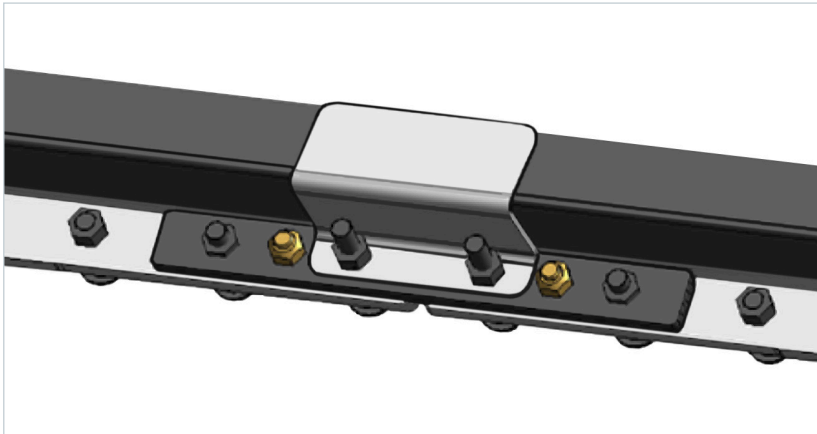
Dealer Set-Up Time:

0.25 hour



Download Installation Instructions

1. Click on this download icon
2. Log into the MacDon Dealer Portal
3. Search for **214105**



WHAT IT IS/DOES

The rock retarder kit is ideal for situations where cutting low is necessary in rocky field conditions. In these rocky conditions, this kit will help prevent rock ingestion by preventing most stones up to the size of a baseball from getting onto the drapers.

FEATURES/BENEFITS

- » Allows ground level cutting in rocky field conditions
- » Prevents most smaller rocks from getting onto the drapers and into the combine

Notes:

Rock Retarder kits cannot be installed on headers that have Stub Guards installed.

This kit may impede crop flow in short crops.

IDEAL FOR THESE CROP CONDITIONS

Most crop condition.

IDEAL FOR THESE FIELD CONDITIONS

Rocky field conditions.

IDEAL FOR THESE AREAS

Areas with rocky terrain.



SPECIFICS

Available For:

FDI (All Sizes)

Bundle #:

25' (7.6 m)	B5084
30' (9.1 m)	B5084
35' (10.7 m)	B5084
40' (12.2 m)	B5085
45' (13.7 m)	B5085

Weight:

25' (7.6 m)	40 lbs (18.15 kg)
30' (9.1 m)	40 lbs (18.15 kg)
35' (10.7 m)	40 lbs (18.15 kg)
40' (12.2 m)	50 lbs (22.7 kg)
45' (13.7 m)	50 lbs (22.7 kg)

Dealer Set-Up Time:

25' (7.6 m)	4
30' (9.1 m)	4
35' (10.7 m)	4
40' (12.2 m)	5
45' (13.7 m)	5

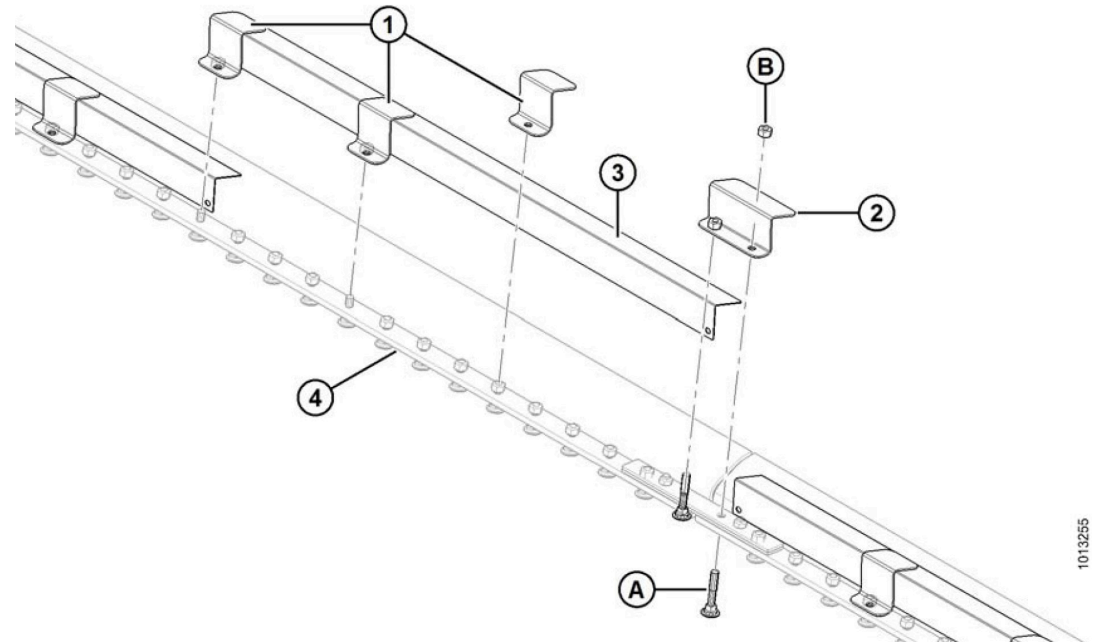


Download Installation Instructions

1. Click on this download icon
2. Log into the MacDon Dealer Portal
3. Search for **169107**

PARTS LIST - Rock Retarder Kit

REF	PART #	DESCRIPTION	QTY			
1	129577	SUPPORT – ROCK RETARDER CLAMP	30	32	36	40
2	129578	SUPPORT – ROCK RETARDER CLAMP (Used at flex joint)	2	2	2	2
3	129589	SUPPORT – ROCK RETARDER, 1066 MM LG	2	2	2	2
1	29581	SUPPORT – ROCK RETARDER, 990 MM LG	3	3	3	3
1	29582	SUPPORT – ROCK RETARDER, 913 MM LG	4	4	4	4
1	72504	SUPPORT – ROCK RETARDER, 762 MM LG	–	2	4	6
4		REF CUTTERBAR	–	–	–	–
A	279575	BOLT – RHSN 7/16-14 X 2.5 LG GR 5 ZP (Used at flex joint)	4	4	4	4
B	18654	NUT – HEX 7/16 – 14 UNC GR 5 ZP (Used at flex joint)	4	4	4	4



1013255

Note: This is a complete parts list, some parts are assembled before delivery.

Crop Lifters & Crop Lifter Rack



WHAT IT IS/DOES

The crop lifters attach to the cutterbar and are designed to lift downed and lodged crops. For use when the crop is flat to the ground, and some extra lifting action is required, or a taller stubble height is needed.

The crop lifter rack comes as a set of two and mounts to the back tube of the header allowing for convenient storage of the crop lifters when they are not in use.

FEATURES/BENEFITS

- » Aids the header in lifting downed and lodged crops
- » Attaches and detaches quickly and conveniently stores on-board with the crop lifter rack

IDEAL FOR THESE CROP CONDITIONS

Downed and lodged crop conditions.

IDEAL FOR THESE FIELD CONDITIONS

Any field condition.

IDEAL FOR THESE AREAS

Any area.



SPECIFICS

Available For:

D1 & FDI (All Sizes)

Bundle #:

Crop Lifters (Box of 10)	B6411
Crop Lifter Rack	B6376

Weight:

Crop Lifters (Box of 10)	26 lbs (11.8 kg)
Crop Lifter Rack	15 lbs (6.8 kg)

Dealer Set-Up Time:

Crop Lifters (Box of 10)	0.5 hours
Crop Lifter Rack	1 hours

Crop Lifter boxes needed by header size:

25' (7.6 m)	3 Boxes / B6411
30' (9.1 m)	3 Boxes / B6411
35' (10.7 m)	4 Boxes / B6411
40' (12.2 m)	4 Boxes / B6411
45' (13.7 m)	5 Boxes / B6411

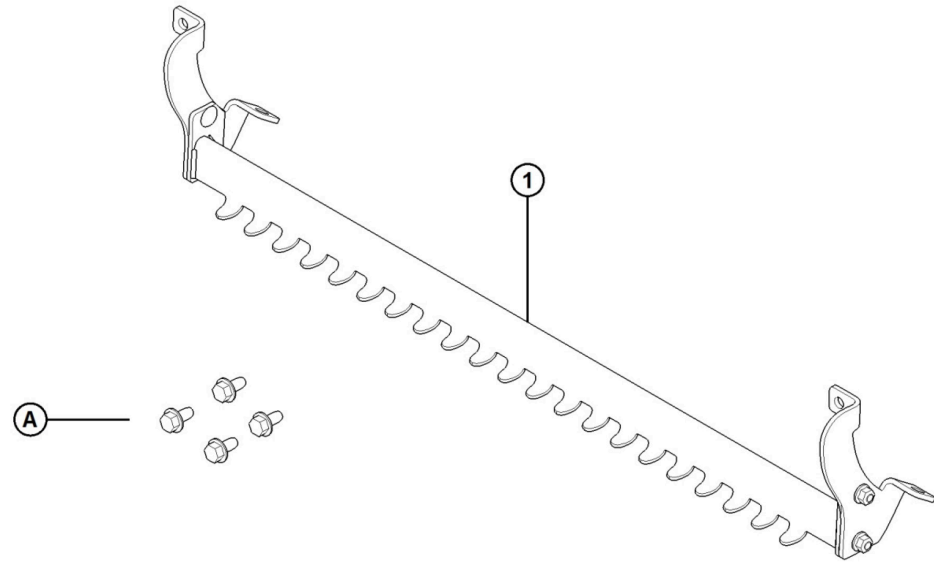


Download Installation Instructions

1. Click on this download icon
2. Log into the MacDon Dealer Portal
3. Search for **214168** Crop Lifter Rack

PARTS LIST - Crop Lifter Rack

REF	PART #	DESCRIPTION	QTY
1	279636	SUPPORT – LIFTER RACK WELDT	2
A	136209	SCREW – HEX WASHER HD M10X1.5X20-450HV-A3L	8

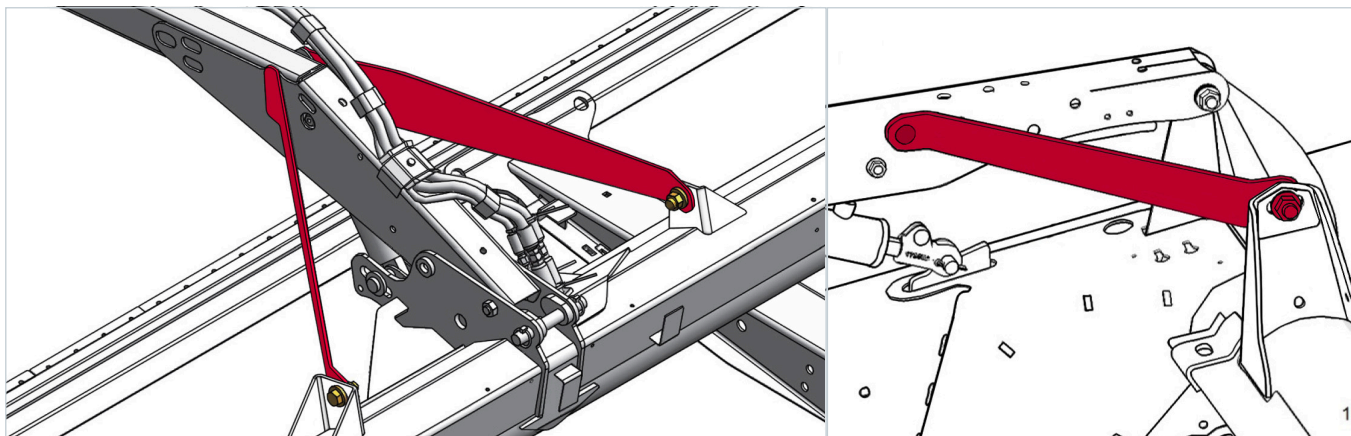


1020255

Note: This is a complete parts list, some parts are assembled before delivery.

Short Brace Kits (For Outboard Reel Arms & Center Reel Arm)

MacDon



WHAT IT IS/DOES

Short brace kits are required to move the reel to the rear fore/aft range (canola position). Performance improvements can be seen in straight cut canola applications when used in conjunction with an Upper Cross Auger.

FEATURES/BENEFITS

- » Improves header performance in straight cut canola applications when used in conjunction with an upper cross auger
- » Minimizes crop disturbance

Notes:

Double span reel applications are recommended to be used with Multi-Crop Rapid Reel Conversion Kit (B6590). See page 19 for details.

IDEAL FOR THESE CROP CONDITIONS

Tall bushy crops conditions.

IDEAL FOR THESE FIELD CONDITIONS

Any field condition.

IDEAL FOR THESE AREAS

Any area.



SPECIFICS (Outboard Reel Arm)

Available For:

FD125 (Single Reel Header)

Bundle #:

B6890

Weight:

15 lbs (6.8 kg)

Dealer Set-Up Time:

1 hour

SPECIFICS (Center Reel Arm)

Available For:

D1 & FD1 (Double Span Reel Headers)

Bundle #:

B5605

Weight:

15 lbs (7 kg)

Dealer Set-Up Time:

0.5 hour



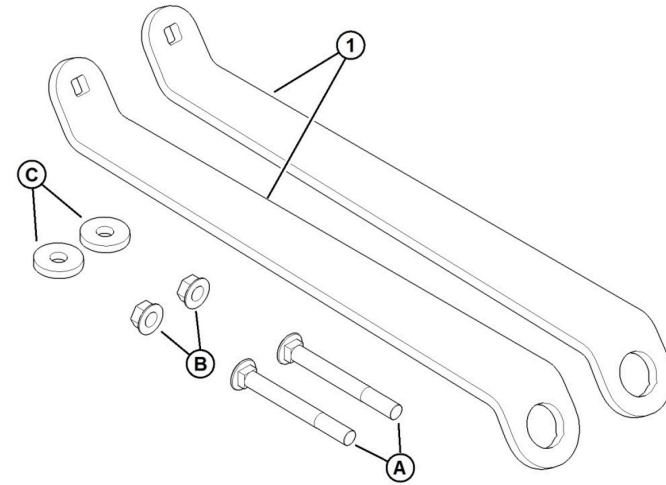
Download Installation Instructions

1. Click on this download icon
2. Log into the MacDon Dealer Portal
- 3A. Search for **214177** (Outboard)
- 3B. Search for **169572** (Center)

PARTS LIST - Short Brace Kit (Outboard Reel Arms)

REF	PART #	DESCRIPTION	QTY
1	255831	BRACE – DIAGONAL, SHORT	2
A	129847	BOLT – RHSN 1/2 NC X 4.5 LG GR 5 ZP	2
B	50186	NUT – FLANGE LOCK SM FACE DT 0.500-13UNC GR5	2
C	18770	WASHER – FLAT	2

Short Brace Kit (Outboard Reel Arms)

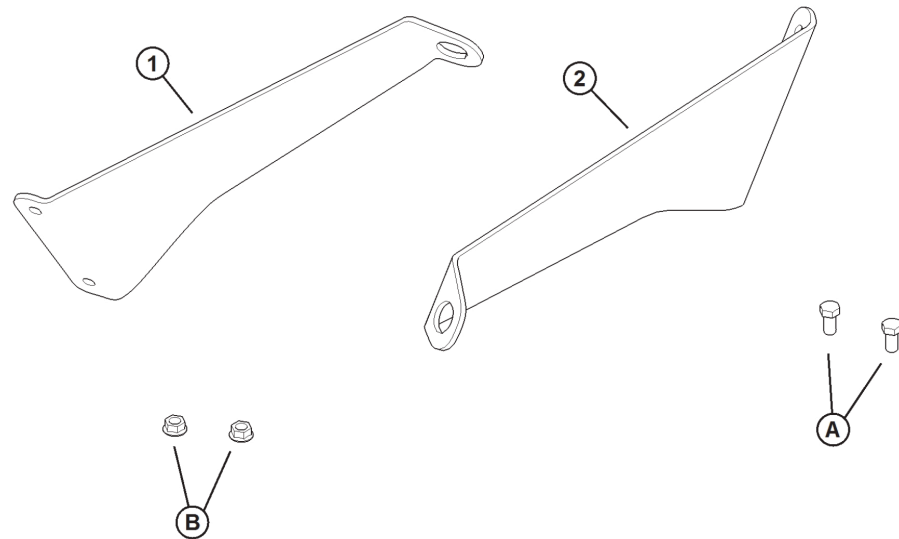


1021102

PARTS LIST - Short Brace Kit (Center Reel Arm)

REF	PART #	DESCRIPTION	QTY
1	164800	BRACE – SHORT, RH	1
2	164825	BRACE – SHORT, LH	1
A	21575	BOLT – HEX HD 1/2 NC X 1.0 LG GR 5 ZP	2
B	50186	NUT – FLANGE LOCK SM FACE DT 0.500-13 UNC GR 5	2

Short Brace Kit (Center Reel Arm)



1018075

Note: This is a complete parts list, some parts are assembled before delivery.

Multi-Crop Rapid Reel Conversion Kit

MacDon



WHAT IT IS/DOES

The multi-crop rapid reel conversion kit decreases the time required to change the fore-aft cylinder position on the reel support arms from the normal operating location to a farther rearward fore/aft location that minimizes crop disturbance.

FEATURES/BENEFITS

- » Faster in-field positioning of the reel
- » Minimizes crop disturbance

Notes:

*For use on double span reel headers only.
Must be used in conjunction with the Short Brace Kits for Center Reel Arm (B5605). See page 17 for details.*

IDEAL FOR THESE CROP CONDITIONS

High volume and bushy crops conditions.

IDEAL FOR THESE FIELD CONDITIONS

Any field condition.

IDEAL FOR THESE AREAS

Any area.



SPECIFICS

Available For:

D1 & FDI (All Sizes)

Bundle #:

B6590

Weight:

22 lbs (10 kg)

Dealer Set-Up Time:

1 hour

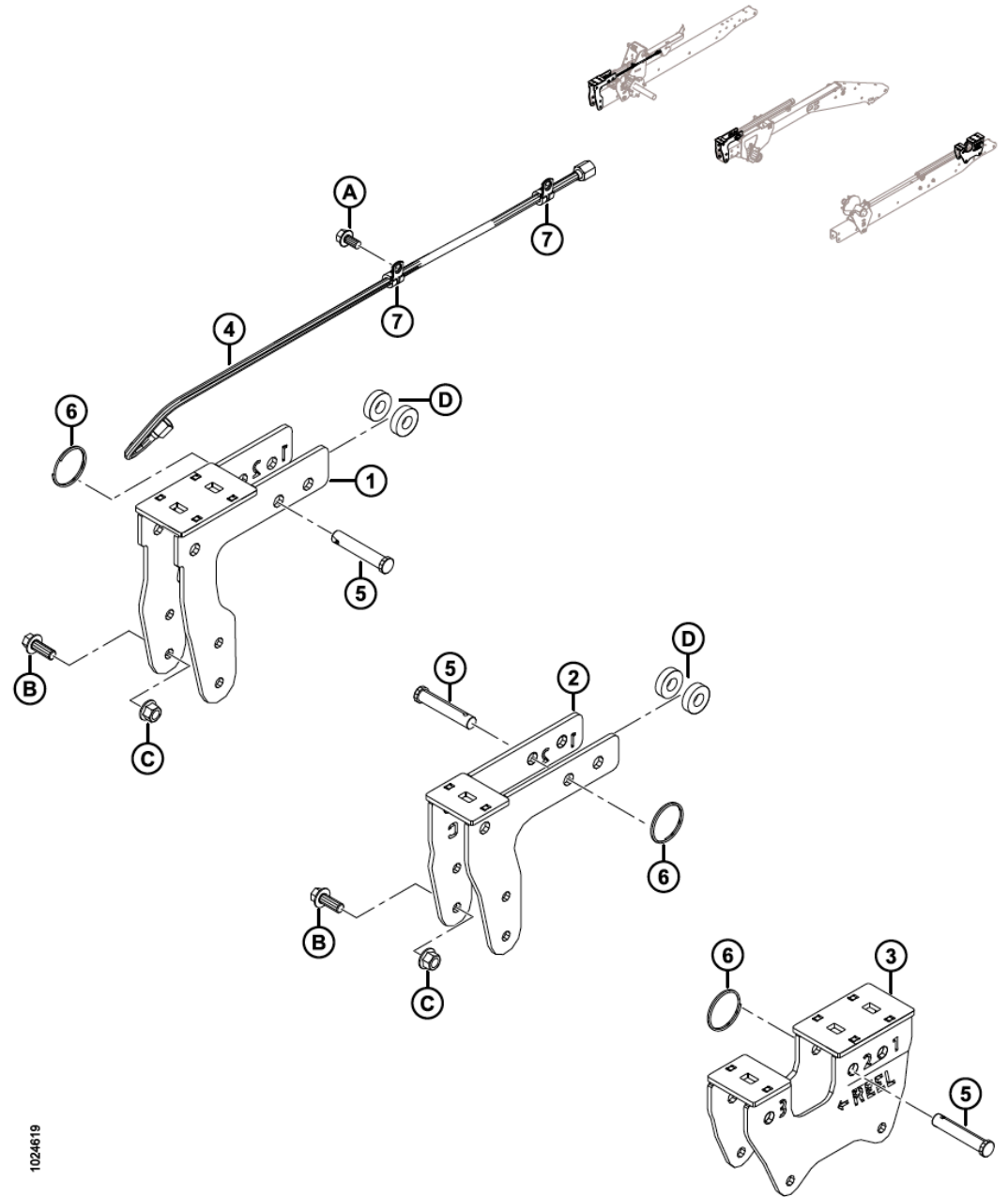


Download Installation Instructions

1. Click on this download icon
2. Log into the MacDon Dealer Portal
3. Search for **214594**

PARTS LIST - Multi-Crop Rapid Reel Conversion Kit

REF	PART #	DESCRIPTION	QTY
1	294598	BRACKET – RHS CAM BRKT	1
2	294601	BRACKET – CTR CAM BRKT	1
3	294599	BRACKET – LHS CAM BRKT	1
4	245362	HOSE – HYDRAULIC	1
5	18624	PIN – CLEVIS	3
6	118137	RING	3
7	135233	CLAMP – DOUBLE HOSE INSULATED	2
A	101898	SCREW – HEX WASH HD THD ROLLING 3/8 NC X 5/8	1
B	148798	BOLT – HEX FLG HD M12 X 1.75 X 30-10.9-A3L	8
C	136431	NUT – HEX FLG CTR LOC M12 X 1.75-10-A3L	8
D	40915	WASHER – FLAT	4



Note: This is a complete parts list, some parts are assembled before delivery.

Hillside Extension Kit (For Hydraulic Reservoir Fill)



WHAT IT IS/DOES

The hillside extension kit allows D1 and FD1 Series headers to operate on steep hillsides while maintaining oil supply to the suction side of the pump.

FEATURES/BENEFITS

- » Prevents the pump running dry of hydraulic oil at extreme angles

IDEAL FOR THESE CROP CONDITIONS

Any crop condition.

IDEAL FOR THESE FIELD CONDITIONS

Hilly terrain field condition.

IDEAL FOR THESE AREAS

Any area with hilly terrain.



SPECIFICS

Available For:

D1 & FD1 (All Sizes)

Bundle #:

B6057

Weight:

4 lbs (1.8 kg)

Dealer Set-Up Time:

0.75 hour

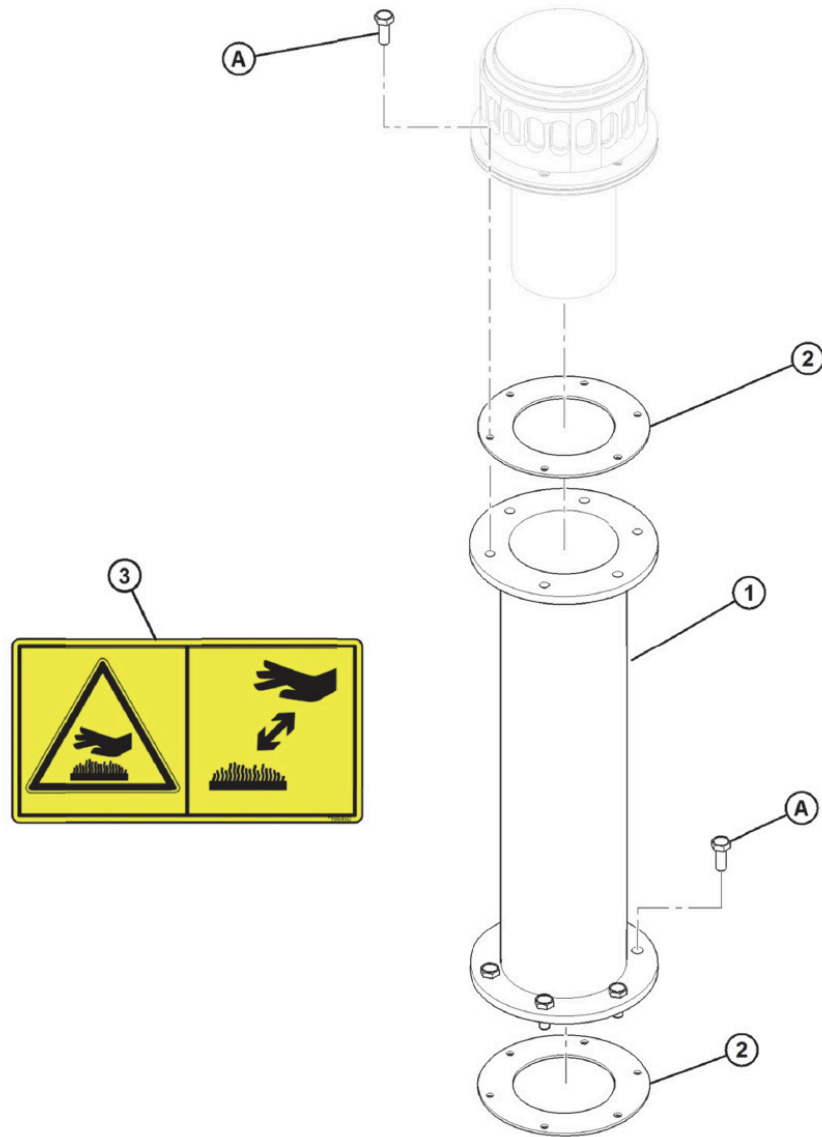


Download Installation Instructions

1. Click on this download icon
2. Log into the MacDon Dealer Portal
3. Search for **147772**

PARTS LIST - Hillside Extension Kit (For Hydraulic Reservoir Fill)

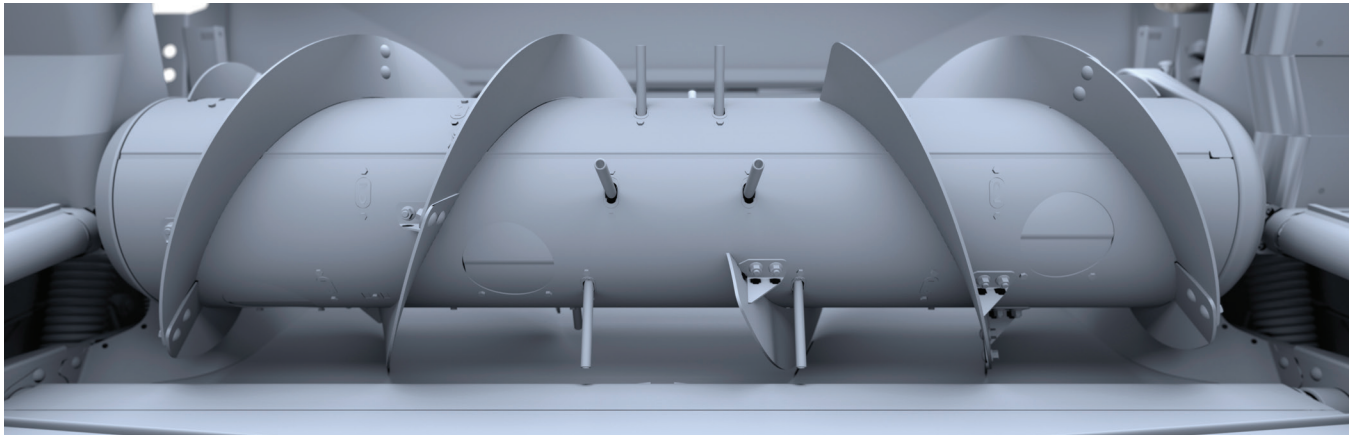
REF	PART #	DESCRIPTION	QTY
1	248953	HILLSIDE EXTENSION	1
2	245621	GASKET	2
3	166450	DECAL - WARNING HOT SURFACE	2
A	135873	SCREW - MACH #10-32 X 0.5 IN. HEX	12



Note: This is a complete parts list, some parts are assembled before delivery.

Feed Auger Flighting Extension Kit

MacDon



WHAT IT IS/DOES

The feed auger flighting extension kit allows better feeding of crop in green/wet straw conditions and is recommended for rice applications. Please refer to the feed auger configuration chart on pages 25 and 26 for flighting combinations and standard Float Module flighting.

FEATURES/BENEFITS

- » Moves green/wet crop to the center of the feed auger for smoother feeding in these conditions

Notes:

Up to two flighting segments can be attached together on each helix (four kits total)

If installing this kit on to a feed auger equipped with the short flighting extensions (Which is the factory configuration for most combines, with the exception of Gleaner combines) the short extensions must be removed first.

IDEAL FOR THESE CROP CONDITIONS

Green/wet straw conditions and rice.

IDEAL FOR THESE FIELD CONDITIONS

Wet field condition.

IDEAL FOR THESE AREAS

Any area with wet conditions.



SPECIFICS

Available For:

D1 & FDI (All Sizes)

Bundle #:

B6400

Weight:

12 lbs (5.4 kg)

Dealer Set-Up Time:

2 hours

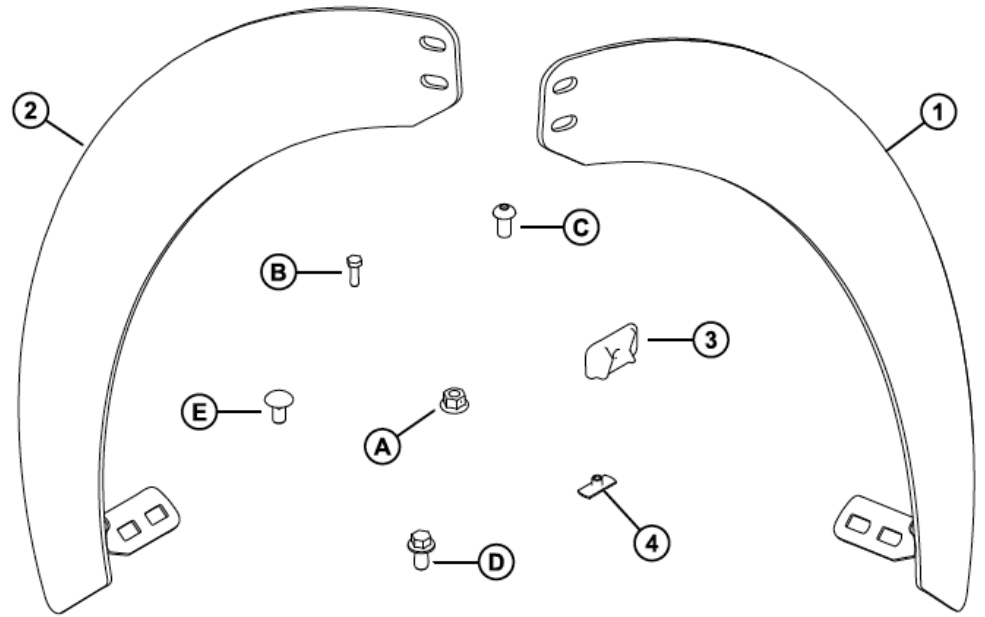


Download Installation Instructions

1. Click on this download icon
2. Log into the MacDon Dealer Portal
3. Search for **214002**

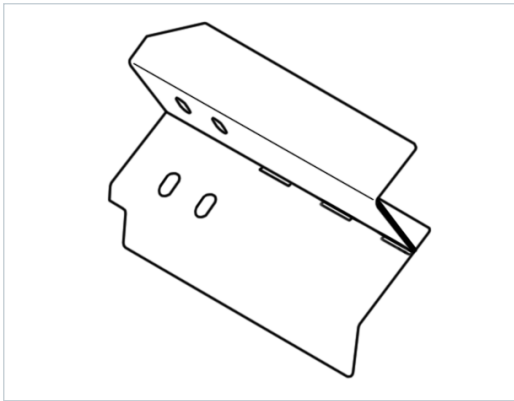
PARTS LIST - (Feed Auger) Flighting Extension Kit

REF	PART #	DESCRIPTION	QTY
1	287890	FLIGHTING, FEED AUGER – RH LNG HIWEAR	1
2	287889	FLIGHTING, FEED AUGER – LH LNG HIWEAR	1
3	213084	PLUG – FLIGHTING SLOT	2
4	197263	NUT – TEE, M6 X 1	2
A	135799	NUT – HEX FLG CTR LOC M10 X 1.5 10 A3L	12
B	252703	BOLT – HEX HD TFL M6 X 1 X 20 X SPCL 12.9 AA2L	2
C	135723	SCREW – HEX SOC BTN HD M10 X 1.5 X 20 10.9 A3L	4
D	152655	BOLT – HEX FLG HD M10 X 1.5 X 20 8.8 A3L	8
E	136178	BOLT – RHSN M10 X 1.5 X 20 8.8 A3L	12



10/19398

Note: This is a complete parts list, some parts are assembled before delivery.



SPECIFICS

Bundle #	Stripper Bar Length	Opening Width (on FM100)	Recommended / Feeder House Width	Combine Model
B6042	265 mm (10-7/16 in)	1317 mm (52 in)	1250–1350 mm (49-1/4 – 53 in)	Case AFX 240 New Holland CR90X0 (wide) CLAAS Lexion 740/750/760 (narrow)
B6043	265 mm (10-1/2 in)	1317 mm (52 in)	John Deere S6X0 only	John Deere S6X0 only
B6045	365 mm (14-3/8 in)	1117 mm (44 in)	1100 mm (43-5/16 in)	New Holland CR8XX0 (narrow)

WHAT IT IS/DOES

Stripper bars can be used to improve feeding in certain crops such as rice. Each stripper bar kit contains one left and one right stripper bar, and the hardware required to attach them to a MacDon FM100 Float Module. There are three different stripper bar kits, each containing stripper bars designed for a particular combine feeder house width. Refer to the table above to determine which kit to install.

FEATURES/BENEFITS

» Improves feeding in rice and other specialty crops

IDEAL FOR THESE CROP CONDITIONS

Green/wet straw conditions and rice.

IDEAL FOR THESE FIELD CONDITIONS

Wet field condition.

IDEAL FOR THESE AREAS

Any area with wet conditions.



Available For:

D1 & FD1 (All Sizes)

Weight:

B6042	8 lbs (3.6 kg)
B6043	7.5 lbs (3.4 kg)
B6045	9 lbs (4 kg)

Dealer Set-Up Time:

For All Kits	0.5 hour
--------------	----------

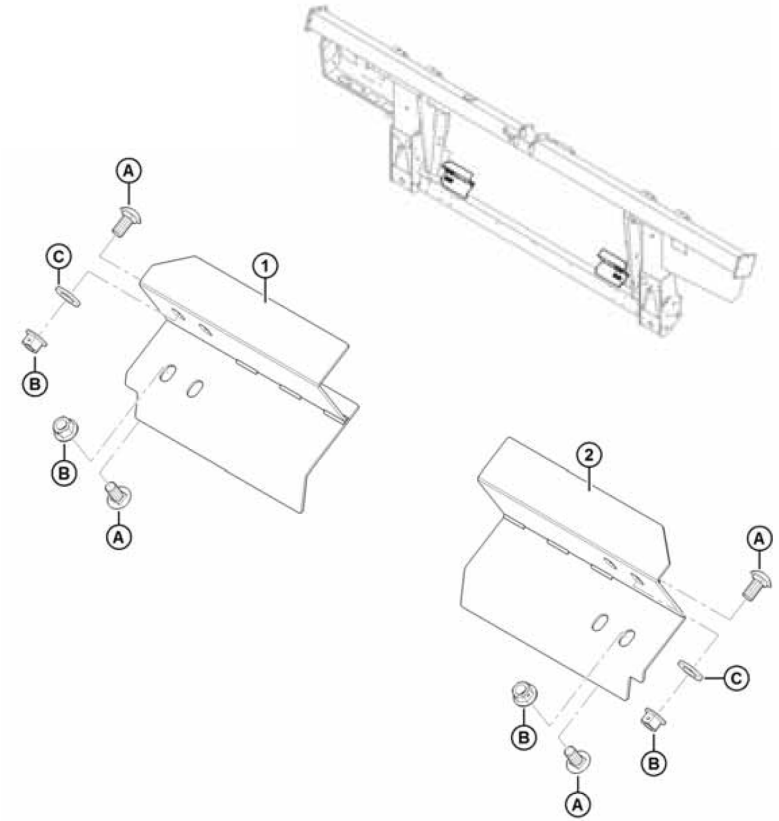


Download Installation Instructions

1. Click on this download icon
2. Log into the MacDon Dealer Portal
3. Search for **214170**

PARTS LIST - Stripper Bar Kits

REF	PART #	DESCRIPTION	QTY		
			B6042	B6043	B6045
1	213523	STRIPPER BAR, LEFT	1	0	0
	276899	STRIPPER BAR, LEFT	0	1	0
	213567	STRIPPER BAR, LEFT	0	0	1
2	213525	STRIPPER BAR, RIGHT	1	0	0
	276900	STRIPPER BAR, RIGHT	0	1	0
	213568	STRIPPER BAR, RIGHT	0	0	1
A	135903	BOLT – RHSN M12 X 1.75 X 25-8.8-A3L	8	8	8
B	136431	NUT – HEX FLG CTR LOC M12 X 1.75-10-A3L	8	8	8
C	184717	WASHER – FLAT REG M16-200HV-AAIJ	8	8	8



Note: This is a complete parts list, some parts are assembled before delivery.

Rice Divider Rods



WHAT IT IS/DOES

Rice divider rods attach to both the left and right crop dividers. They divide tall and tangled rice crops allowing the header to flow through the crop smoothly and aid in making a clean cut.

IDEAL FOR THESE CROP CONDITIONS

Severe lodged rice crop conditions.

IDEAL FOR THESE FIELD CONDITIONS

Wet field condition.

IDEAL FOR THESE AREAS

Any area rice grows.



SPECIFICS

Available For:

D1 & FDI (All Sizes)

Bundle #:

B5609

Weight:

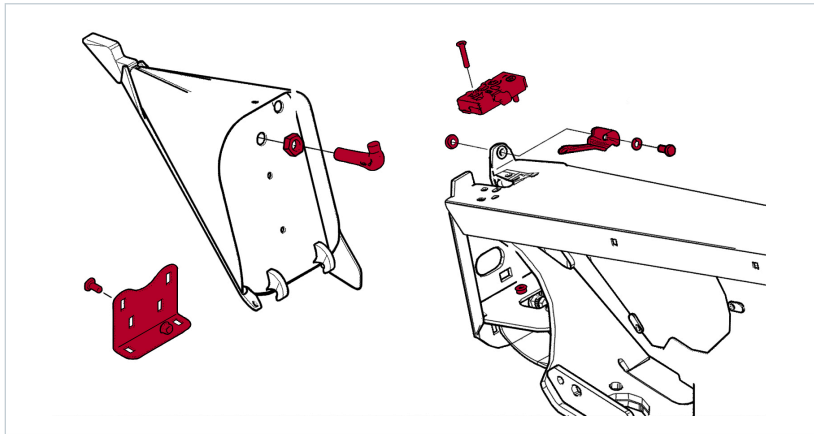
15 lbs (6.8 kg)

Dealer Set-Up Time:

0.25 hour

Divider Latches

MacDon



WHAT IT IS/DOES

Divider latch kits attach to the endsheets. They allow for quick removal and storage of endsheet divider cones and, if required, reduce the transport width of the header.

FEATURES/BENEFITS

- » Recommended for use with vertical knives
- » Allow for quick disconnect of divider cones
- » Divider cones store on the header

IDEAL FOR THESE CROP CONDITIONS

Any crop condition.

IDEAL FOR THESE FIELD CONDITIONS

Any field condition.

IDEAL FOR THESE AREAS

Any area.



SPECIFICS

Available For:

D1 & FD1 (All Sizes)

Bundle #:

B6158

Weight:

7 lbs (3.2 kg)

Dealer Set-Up Time:

0.75 hour

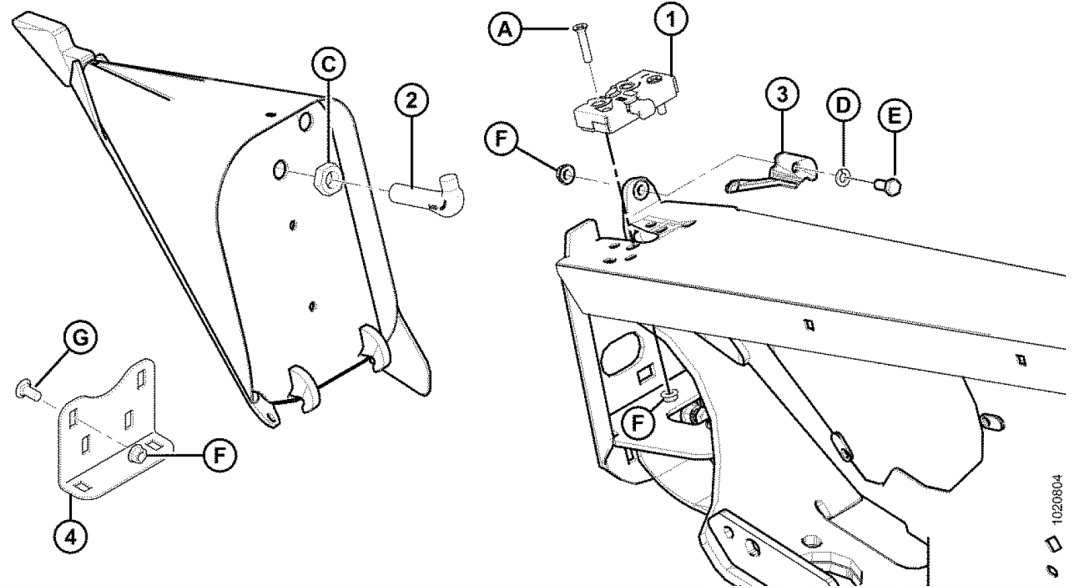


Download Installation Instructions

1. Click on this download icon
2. Log into the MacDon Dealer Portal
3. Search for **147891**

PARTS LIST - Divider Latches

REF	PART #	DESCRIPTION	QTY
1	120932	LATCH – LH	1
1	120933	LATCH – RH	1
2	132773	HOOK – DIVIDER LATCH	2
3	132248	LATCH – LH, DIVIDER SAFETY	
1	132253	LATCH – RH, DIVIDER SAFETY	1
4	255791	ANGLE – DIVIDER, STORAGE	2
A	30504	SCREW – FLAT CSK MACH 5/16 NC X 1 1/2 LG GR 5 ZP	4
B	30280	NUT – FLG SIDE LK SMTH FACE 5/16 NC GR 5 ZP	4
C	7674	NUT – HEX JAM 3/4 -16 UNF GR 5 ZP	2
D	18637	WASHER – REG. LOCK 3/8 IN. NOM. ID ZP	2
E	21567	BOLT – HEX HD .375-16UNC X 0.75 LG	6
F	30228	NUT – FLANGE DT SMOOTH FACE 0.375-16UNC	8
G	21863	BOLT – RHHSN 3/8 NC X 0.75 LG GR 5 ZP	4





WHAT IT IS/DOES

The slow speed transport package allows towing of D1 and FD1 Series Headers up to 20 mph (32 km/h)* towing behind a properly configured combine or tractor.

This option also adds the advantage of spring-loaded stabilizer wheels which help to steady the header when cutting off the ground in bumpy field conditions creating an even stubble height.

FEATURES/BENEFITS

- » Transports D1 and FD1 Series headers safely from field to field
- » Prevents the header from bouncing or rocking side to side
- » Allows for an even cutting height when cutting off the ground
- » Locks into a rigid position completely off the ground when they are not in use

Notes:

*Always follow local traffic laws and regulations.

IDEAL FOR THESE CROP CONDITIONS

Crop conditions where cutting off the ground is necessary.

IDEAL FOR THESE FIELD CONDITIONS

Bumpy field condition.

IDEAL FOR THESE AREAS

Any area.



SPECIFICS

Available For:

D1 & FD1: 30', 35', 40', 45'

Bundle #:

C2007

Weight:

580 lbs (263 kg)

Dealer Set-Up Time:

5.5 hours

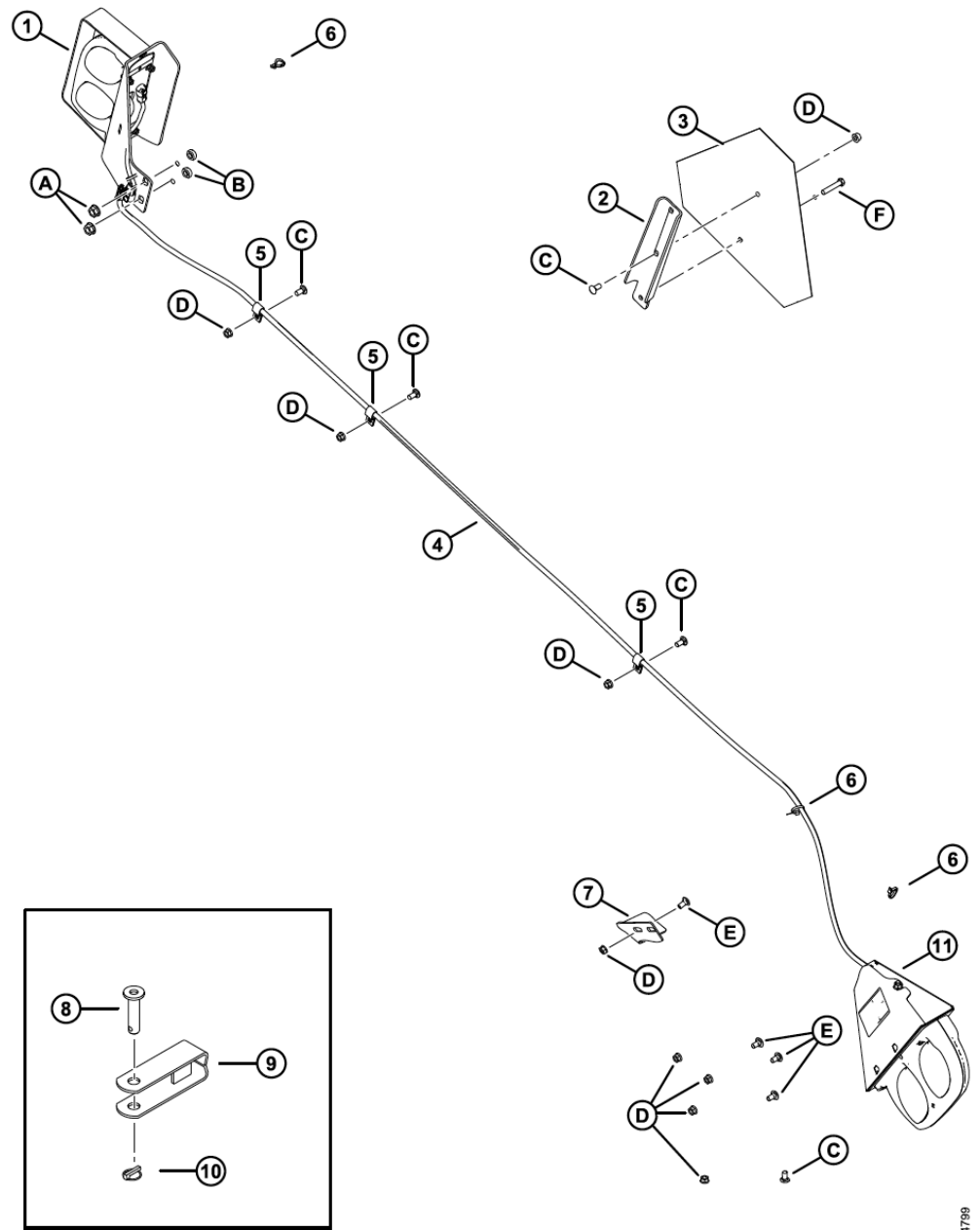


Download Installation Instructions

1. Click on this download icon
2. Log into the MacDon Dealer Portal
3. Search for **214648**

PARTS LIST - Slow Speed Transport Package - Hitch Electrical

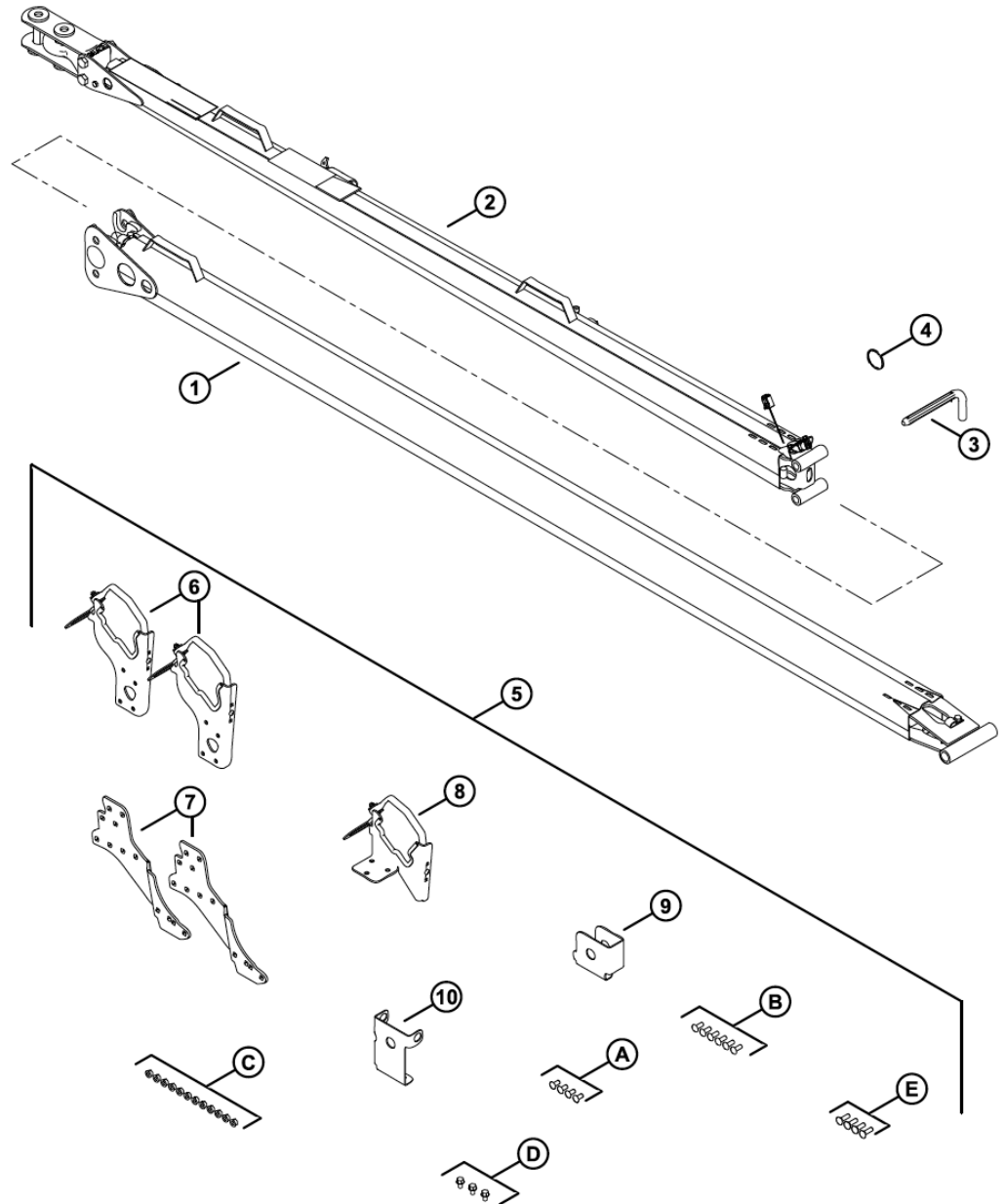
REF	PART #	DESCRIPTION	QTY
1	NSS	ASSEMBLY – SST RH REAR LIGHT	1
2	174926	BRACKET – SMV MOUNTING	1
3	144538	REFLECTOR – SMV SIGN	1
4	254175	HARNES	1
5	135233	CLAMP – DOUBLE HOSE INSULATED	3
6	21763	FASTENER – CABLE TIE (BLACK)	3
7	253500	SUPPORT – DIVIDER ROD LOWER	1
8	118239	PIN – HITCH	1
9	113536	CLEVIS WELDT	1
10	113561	PIN – LYNCH	1
11	NSS	ASSEMBLY – LH REAR TRANSPORT LIGHT (NORTH AMERICA & AUSTRALIA)	1
A	50186	NUT – FLG LOCK SM FACE DT 0.500-13 UNC GR 5	2
B	18723	BOLT – HH 1/2 NC X 1.5 LG TFL GR 5 ZP	2
C	21863	BOLT – RHSSN 3/8 NC X 0.75 LG GR 5 ZP 5	2
D	30228	NUT – FLANGE DT SMOOTH FACE 0.375-16 UNC	9
E	21472	BOLT – RHSN 3/8 NC X 0.75 GR 5 ZP	4
F	21568	BOLT – HH 3/8 NC X 3.0 LG GR 5 ZP	1



Note: This is a complete parts list, some parts are assembled before delivery.

PARTS LIST - Slow Speed Transport Package - Tow Bar

REF	PART #	DESCRIPTION	QTY
1	NSS	HITCH ASSEMBLY – 2 PIECE, HEADER END	1
2	NSS	HITCH ASSEMBLY – 2 PIECE, TOW END	1
3	144415	ASSEMBLY – L-PIN	1
4	118137	RING	1
5	244850	KIT – HITCH STORAGE ON HEADER (CONTAINS ITEMS #6–10 AND A–E.)	1
6	NSS	ASSEMBLY – HITCH CRADLE	2
7	244763	ANGLE – SUPPORT	2
8	NSS	ASSEMBLY – HITCH CRADLE	1
9	193188	SUPPORT – HITCH LH ENDSHEET	1
10	279065	SUPPORT – HITCH RH ENDSHEET	1
A	21863	BOLT – RHSSN 3/8 NC X 0.75 LG GR 5 ZP	4
B	100456	BOLT – RHSSN 3/8 NC X 1.0 GR 5 ZP	6
C	30228	NUT – FLANGE DT SMOOTH FACE 0.375-16 UNC	12
D	101898	SCREW – HEX WASH HD THD ROLLING 3/8 NC X 5/8	3
E	19966	BOLT – RHSN 3/8-16 X 1.25 GR 5 ZP	4

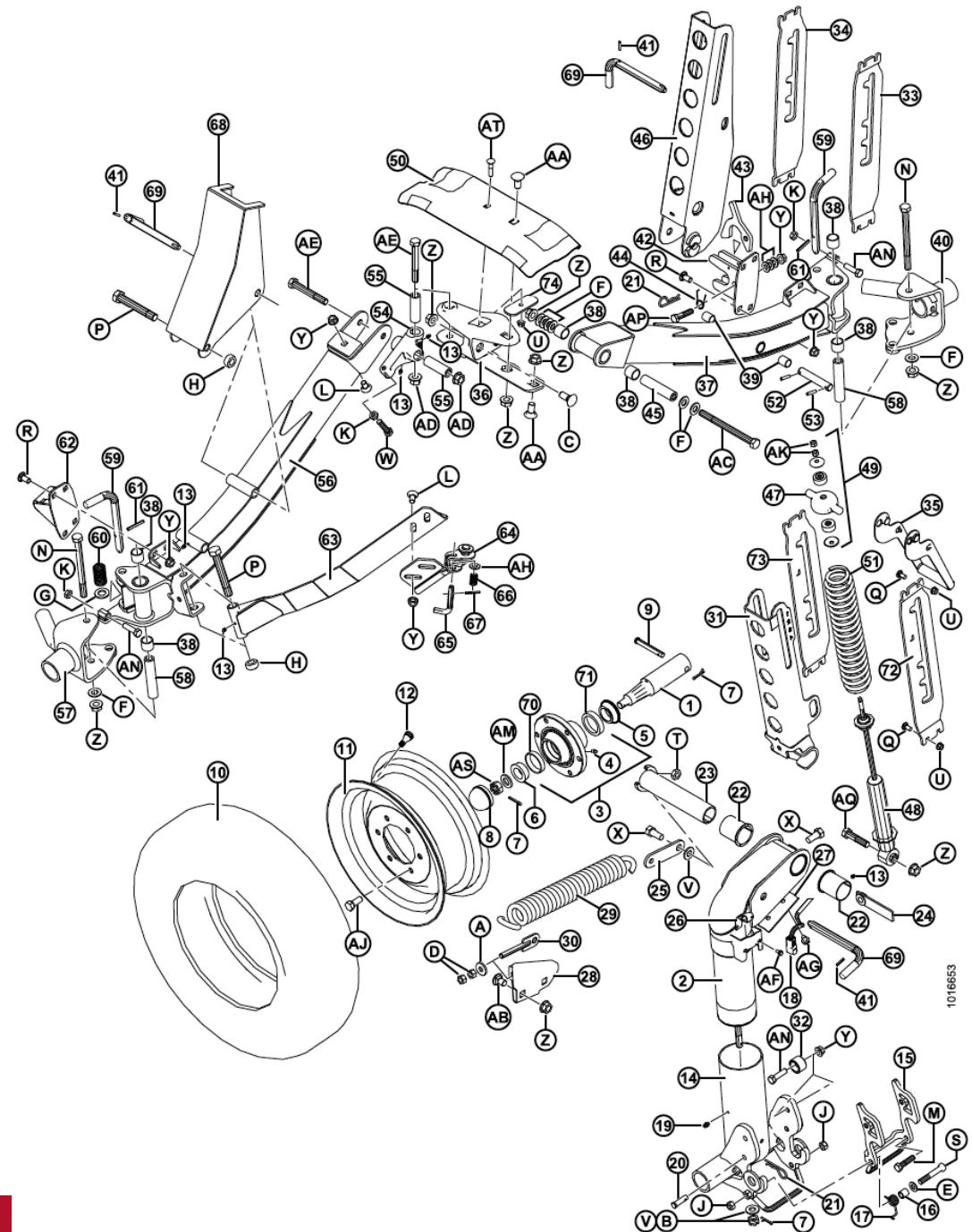


Note: This is a complete parts list, some parts are assembled before delivery.

1024704

PARTS LIST - Slow Speed Transport Package - Wheel and Support Parts (Page 1 of 3)

REF	PART #	DESCRIPTION	QTY
	B5224	KIT – STABILIZER WHEELS	
	B6449	KIT – TRANSPORT SUPPORTS AND HUBS	
1	144378	SPINDLE	4
2	244722	PIVOT WELDT	1
3	41982	HUB – C/W BEARING CUPS	4
4	50174	FITTING – LUBE, DRIVE TYPE 1/4 IN. (CTD HUB)	4
4	21887	FITTING – LUBE, 1/8 NPT (ARMSTRONG HUB)	4
5	30517	BEARING – CONE, C/W SEAL	4
6	21376	BEARING – CONE ROLLER (NO SEAL)	4
7	18648	PIN – COTTER 3/16 DIA X 1.25 ZP	7
8	30520	CAP – DUST	4
9	101007	PIN – CLEVIS	4
10	193031	TIRE – ST 205/75 R15 STEEL BELTED RADIAL	4
11	144531	WHEEL – 15 X 6 LB	4
12	21153	STEM – TIRE VALVE ASSEMBLY #TR-415	4
13	18671	FITTING – LUBE 1/4-28 UNF	7
14	144971	SPINDLE WELDT	1
15	144976	LATCH WELDT	1
16	144742	SPACER – 3/4 IN. O.D. X .120 WALL X 19 LONG	1
17	144741	SPRING – TORSION	1
18	REF	HARNES	
19	21010	FITTING – LUBE 90° 1/4-28 TAPER THD	2
20	19927	PIN – CLEVIS	1
21	13125	PIN – HAIR	1
22	35694	BUSHING – PLASTIC	2
23	144374	PIN – WELDT	1
24	144577	BAR – NUT ASSY	1
25	144471	BAR	1
26	193057	CLIP – WIRING HARNESS DEUTSCH CONNECTOR	1
27	144739	HOLDER	1
28	144873	SUPPORT – WELDT	1
29	144724	SPRING – EXTENSION	1
30	144425	BOLT – EYE WELDT	1
31	144968	CHANNEL WELDT	1
32	193008	ROLLER	2
33	193214	SUPPORT – LH (USED RIGHT SIDE OF HEADER)	1
34	193215	SUPPORT – RH (USED RIGHT SIDE OF HEADER)	1
35	144899	HANDLE – WELDT	2
36	125256	SUPPORT – WELDT	1
37	294094	TUBE – AXLE, C/W BUSHINGS	1
38	133992	BUSHING – COMPOSITE	10
39	156501	BUSHING – PLASTIC	2
40	294036	PIVOT – LH WELDT	1
41	16010	PIN – SPRING 3/16 DIA X 1.0 LG	3
42	193009	LATCH – WELDT	1
43	193016	LATCH	1



Note: This is a complete parts list, some parts are assembled before delivery.

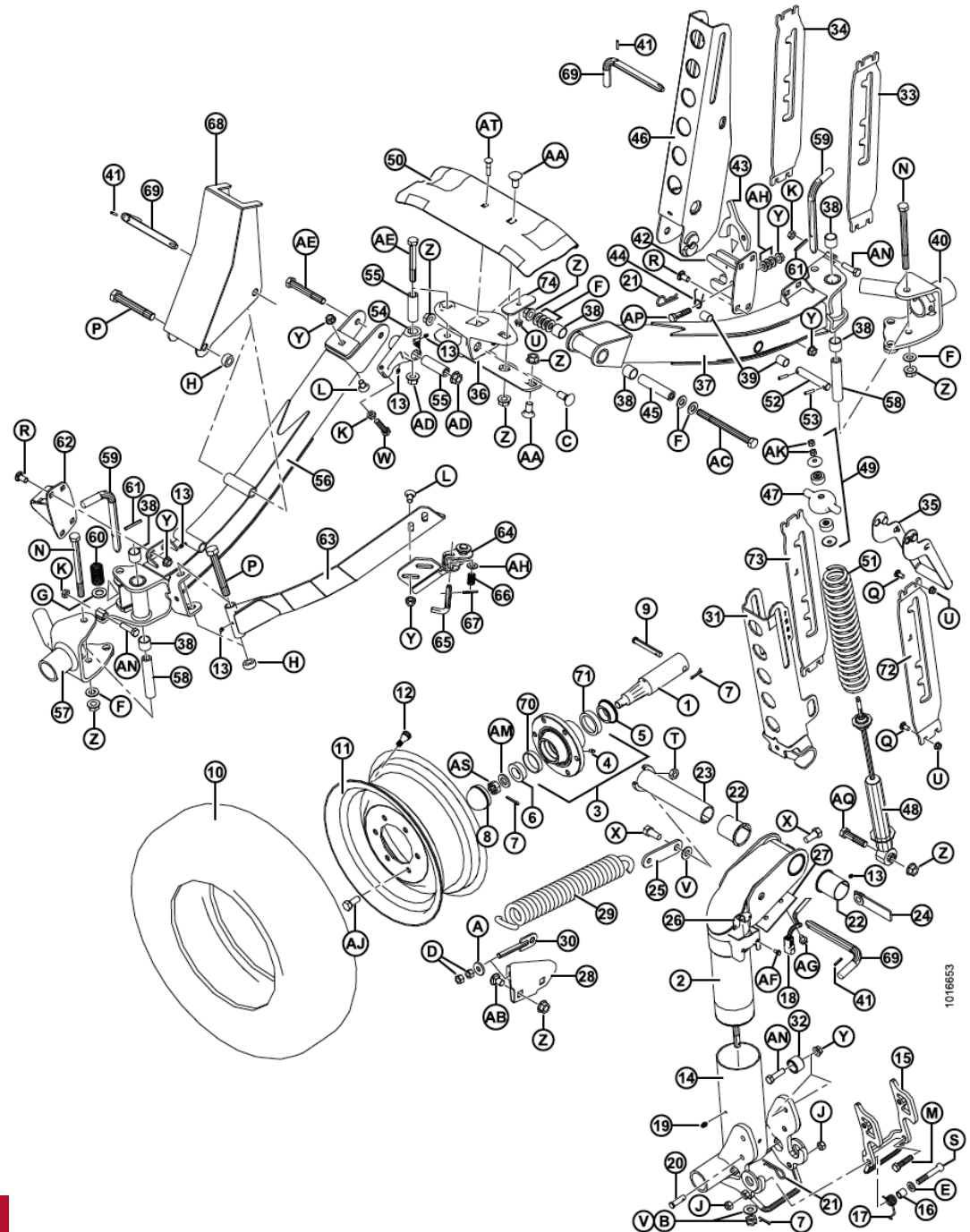
Performance Options – D1 Draper & FDI FlexDraper®

PARTS LIST - Slow Speed Transport Package - Wheel and Support Parts (Page 2 of 3)

REF	PART #	DESCRIPTION	QTY
44	144505	SPRING – TORSION	1
45	144880	SPACER	1
46	144956	CHANNEL WELDT	1
47	144966	CASTING – SPRING CAP	2
48	144934	SHOCK – TENNECO 8	2
49	174922	KIT – SHOCK MOUNTING	2
50	220099	SUPPORT – DRAPER, TRANSPORT	1
51	144962	SPRING – COMPRESSION	2
52	144376	PIN – STRAIGHT	1
53	16266	PIN – SPRING 1/4 DIA X 1.25 LG	2
54	244748	PIVOT – ASSY W/ BUSHINGS 9	1
54	133992	BUSHING – COMPOSITE	4
55	244671	SPACER	2
56	294091	AXLE – ASSY, C/W BUSHINGS 9	1
57	294037	PIVOT – RH WELDT	1
58	193022	SPACER	2
59	144989	L-PIN	2
60	29028	SPRING – COMPRESSION	2
61	2148	PIN – SPRING 1/4 DIA X 2.0 LG	2
62	193014	LATCH WELDT	1
63	144324	BRACE – ANGLE WELDT	1
64	144433	LATCH WELDT	1
65	144409	L-PIN	1
66	35618	SPRING – COMPRESSION	1
67	7642	PIN – SPRING 3/16 DIA X 1.5 LG	1
68	144321	SUPPORT – C'BAR WELDT	1
69	144415	ASSY – L-PIN 10	3
70	7900	CUP – ROLLER BEARING	4
71	30516	CUP – ROLLER BEARING	4
72	193216	SUPPORT – LH (USED LEFT SIDE OF HEADER)	1
73	193217	SUPPORT – RH (USED LEFT SIDE OF HEADER)	1
74	125236	BAR – DRAPER SUPPORT RETENTION	1
A	4761	WASHER – FLAT	
B	6649	NUT – SLOTTED HEX 0.625 IN. NC ZN PL	
C	18523	BOLT – RHSN 5/8 NC X 1.5 GR 5 ZP	
D	18591	NUT – HEX 1/2-13 UNC GR 5 ZP	
E	18599	WASHER – SAE FLAT 17/32 I.D. X 1-1/16 IN. O.D. ZP	
F	18600	WASHER – SAE FLAT 21/32 I.D. X 1-5/16 IN. O.D. ZP	
G	18601	WASHER – SAE FLAT 13/16 I.D. X 1.5 IN. O.D. ZP	
H	102636	NUT – HEX, SIDE LOCK DT.750-10 UNC	
J	18697	NUT – HEX LOCK DT.500-13 UNC	
K	21056	NUT – HEX JAM 1/2-13 UNC GR 5 ZP	
L	21066	BOLT – RHSN 1/2 NC X 1 GR 5 ZP	
M	21576	BOLT – HH 1/2 NC X 2.0 LG GR 5 ZP	
N	21591	BOLT – HH 5/8 NC X 7.5 LG GR 5 ZP	

Note: This is a complete parts list, some parts are assembled before delivery.

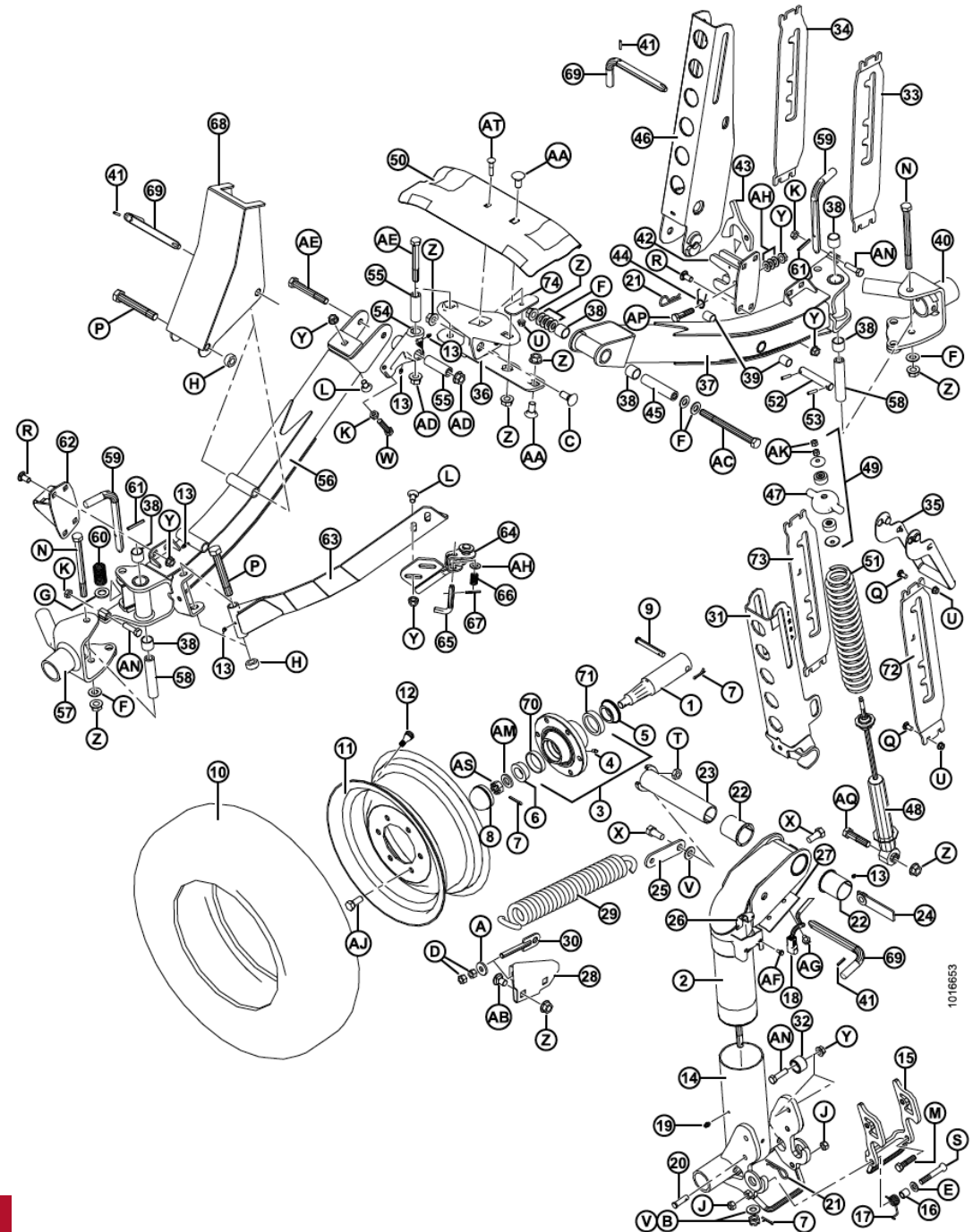
Performance Options – D1 Draper & FDI FlexDraper®



1016653

PARTS LIST - Slow Speed Transport Package - Wheel and Support Parts (Page 3 of 3)

REF	PART #	DESCRIPTION	QTY
P	21599	BOLT - HH 3/4 NC X 5.0 LG GR 5 ZP	
Q	100456	BOLT - RHSSN 3/8 NC X 1.0 GR 5 ZP	
R	21868	BOLT - RHSSN 1/2 NC X 1.0 GR 5 ZP	
S	21560	BOLT - HH 1/2 NC X 3.0 LG GR 5 ZP	
T	21941	NUT - HEX LOCK JAM (DT) 5/8-11 UNC GR 5 ZP	
U	30228	NUT - FLANGE DT SMOOTH FACE 0.375-16 UNC	
V	30441	WASHER - HARDENED	
W	30833	BOLT - HH 1/2 NC X 2.25 TFL GR 5 ZP	
X	48050	BOLT - SHOULDER .625-11 UNC	
Y	50186	NUT - FLANGE LOCK SM FACE DT 0.500-13 UNC GR 5	
Z	50225	NUT - FLANGE DT SMOOTH FACE .625-11 UNC	
AA	103562	BOLT - RHSN 5/8 NC X 1.25 GR 5 ZP	
AB	117015	BOLT - RHSSN 5/8 NC X 1.0 GR 5 ZP	
AC	193211	BOLT - HEX HEAD 5/8 NC X 7.5 LG GR 8 ZP	
AD	188467	NUT - FLANGE DT SMOOTH FACE .625-18 UNC GR. G	
AE	252305	BOLT - HH FINE 5/8-18 X 4.5 GR 8 ZP	
AF	21055	SCREW - SELF TAP HEX WASH HD 1/4 NC X 1/2	
AG	101898	SCREW - HEX WASH HD THD ROLLING 3/8 NC X 5/8	
AH	18599	WASHER - SAE FLAT 17/32 I.D. X 1-1/16 IN. O.D. ZP	
AJ	18916	BOLT - 90° WHEEL 9/16 NF X 1.75 OL	
AK	18866	NUT - HEX 3/8-24 UNF GR 5 ZP	
AM	21540	WASHER - HARDENED	
AN	50072	BOLT - HH 1/2 NC X 1.75 LG TFL GR 5 ZP	
AP	21578	BOLT - HH 1/2 NC X 2.25 LG GR 5 ZP	
AQ	30922	BOLT - HH 5/8 NC X 2.75 GR 5 ZP	
AS	5512	NUT - HEX SLOTTED .750-16 UNF ZN PL	
AT	50197	BOLT - RHSN 3/8 NC X 1.75 LG GR 5 ZP	



Note: This is a complete parts list, some parts are assembled before delivery.



WHAT IT IS/DOES

Spring-loaded stabilizer wheels help to steady the header when cutting off the ground in bumpy field conditions creating an even stubble height.

The second stabilizer wheel kit adds an extra wheel to each side and provides more capacity for extreme rough or uneven terrain.

FEATURES/BENEFITS

- » Prevents the header from bouncing or rocking side to side
- » Allows for an even cutting height when cutting off the ground
- » Locks into a rigid position completely off the ground when they are not in use

Notes:

Second stabilizer wheel kit can only be added once the stabilizer wheel kit (C1986) has been installed.

IDEAL FOR THESE CROP CONDITIONS

Crop conditions where cutting off the ground is necessary.

IDEAL FOR THESE FIELD CONDITIONS

Bumpy field condition.

IDEAL FOR THESE AREAS

Any area.



SPECIFICS (Stabilizer Wheel Kit)

Available For:

D1 & FDI: 30', 35', 40', and 45' only

Bundle #:

C1986

Weight:

275 lbs (125.7 kg)

Dealer Set-Up Time:

3 hours

SPECIFICS (Second Stabilizer Wheel Kit)

Available For:

D1 & FDI: 30', 35', 40', and 45' only

Bundle #:

B6179

Weight:

60 lbs (27.2 kg)

Dealer Set-Up Time:

1 hour

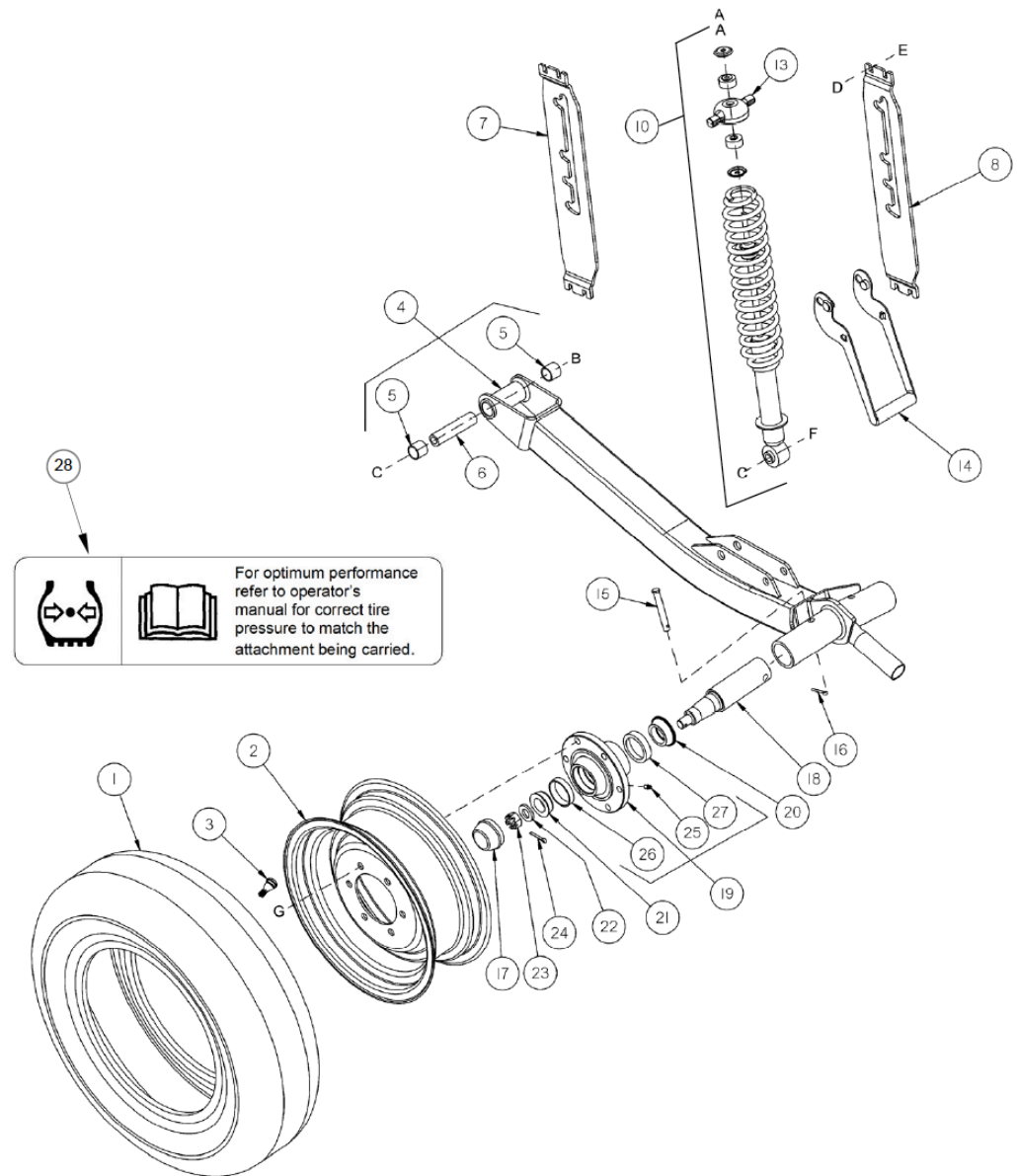


Download Installation Instructions

1. Click on this download icon
2. Log into the MacDon Dealer Portal
- 3A. Search for **169214** (C1986)
- 3B. Search for **214133** (B6179)

PARTS LIST - Stabilizer Wheel Kit

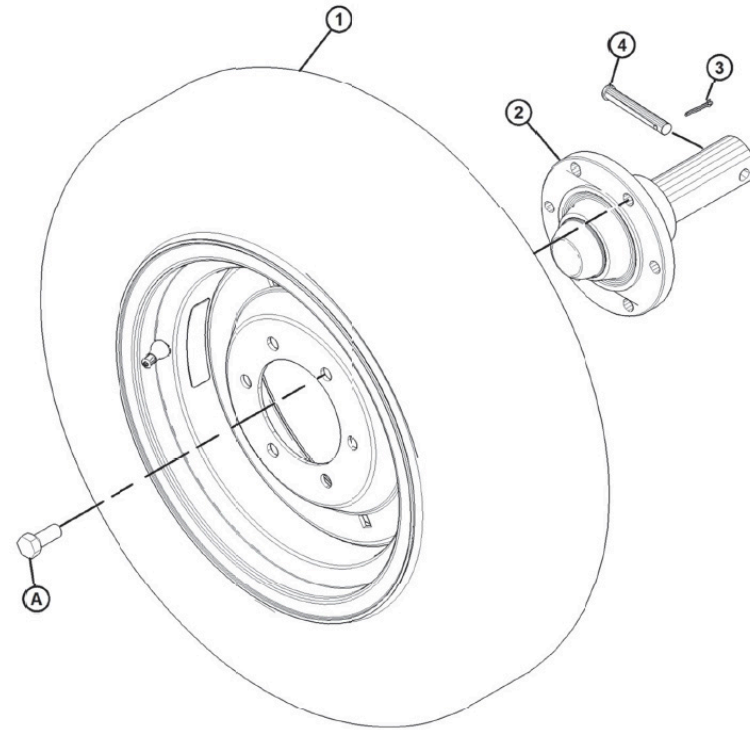
REF	PART #	DESCRIPTION	QTY
1	193031	TIRE – ST205/75 R15 STEEL BELTED RADIAL	2
2	144531	WHEEL 15 X 6 LB	2
3	21153	STEM – TIRE VALVE ASSEMBLY #TR-415	2
4	144860	TUBE – AXLE C/W BUSHINGS (INCLUDES 5)	1
5	133992	BUSHING – COMPOSITE	4
6	144880	SPACER	2
7	193214	SUPPORT – LH	2
8	193215	SUPPORT – RH	2
10	144933	SHOCK ASSY – GAUGE WHEELS (TENNECO)	2
13	144966	CASTING – SPRING CAP	2
14	144899	HANDLE WELDT	2
15	101007	PIN – CLEVIS	2
16	18648	PIN – COTTER 3/16 DIA X 1.25 ZP	2
17	30520	CAP – DUST	2
18	144378	SPINDLE	2
19	41982	HUB – C/W BEARING CUPS (INCLUDES ITEMS 25, 26, & 27)	2
20	30517	BEARING – CONE C/W SEAL	2
21	21376	BEARING – CONE ROLLER (NO SEAL)	2
22	21540	WASHER – HARDENED	2
23	5512	NUT – HEX SLOTTED .750-16UNF ZN PL	2
24	18648	PIN – COTTER 3/16 DIA X 1.25 ZP	2
25	50174	FITTING – LUBE, DRIVE TYPE FOR CTD HUB	2
25	21887	FITTING – LUBE, 1/8 NPT FOR ARMSTRONG HUB	2
26	7900	CUP – ROLLER BEARING	2
27	30516	CUP – ROLLER BEARING	2
28	111221	DECAL – TIRE PRESSURE	2
28	193035	DECAL – GAUGE WHEEL SETTING	2
A	18866	NUT – HEX 3/8 – 24 UNF GR 5 ZP	2
B	21577	BOLT – HH 5/8 NC X 6.5 LG GR 5 ZP	2
C	50225	NUT – FLG DT SMOTH FACE .625-11 UNC	4
D	21863	BOLT – RHSSN 3/8 NC X 0.75 LG GR ZP	16
E	30228	NUT – FLG DT SMOOTH FACE 0.375-16UNC	16
F	21583	BOLT – HH 5/8 NC X 3.0 LG GF5 ZP	2
G	18916	BOLT – 90° WHEEL 9/16 NF X 1.75 OL	12



Note: This is a complete parts list, some parts are assembled before delivery.

PARTS LIST - Second Stabilizer Wheel Kit

REF	PART #	DESCRIPTION	QTY
1	193026	ASSY - WHEEL AND TIRE COMPLETE	1
2	144507	HUB SUB-ASSEMBLY	1
3	18648	PIN - COTTER 3/16 DIA X 1.25 ZP	1
4	101007	PIN - CLEVIS	1
REF	16661	FASTENER- CABLE TIE BLACK (NOT ILLUSTRATED)	1
A	18916	BOLT - 90° WHEEL 9/16 NF X 1.75 OL	6



1018864

Note: This is a complete parts list, some parts are assembled before delivery.

Spare Cutterbar Wearplates



WHAT IT IS/DOES

Cutterbar Wearplates are ideal for muddy harvesting conditions and work in crops like peas, lentils, soybeans and canola. These poly skids permit smoother traveling of the cutterbar over the ground and reduce the likelihood of mud building up on the cutterbar.

This package has been designed as a compression molded black plastic skid shoe (each 6" wide or 150 mm) that is bolted under the guards. The poly wraps around the C-shape of the cutter bar and the base of each guard preventing mud from collecting.

FEATURES/BENEFITS

- » Great for muddy and soft ground conditions
- » Spreads the weight across the whole header
- » Runs the full length of the cutterbar but individually replaceable.

IDEAL FOR THESE CROP CONDITIONS

Any crop condition.

IDEAL FOR THESE FIELD CONDITIONS

Muddy field conditions.

IDEAL FOR THESE AREAS

Any area.



SPECIFICS

Standard Equipment For:

D1 & FDI (All Sizes)

Bundle #:

25' (7.6 m)	B4838
30' (9.1 m)	B4839
35' (10.7 m)	B4840
40' (12.2 m)	B4841
45' (13.7 m)	B5114

Weight:

B4838	56 lbs (25 kg)
B4839	49 lbs (22kg)
B4840	57 lbs (26kg)
B4841	65 lbs (29 kg)
B5114	73 lbs (33kg)

Dealer Set-Up Time:

B4838	3
B4839	3.5
B4840	4
B4841	4.5
B5114	5



Download Installation Instructions

1. Click on this download icon
2. Log into the MacDon Dealer Portal
3. Search for **169361**



WHAT IT IS/DOES

Stub guards mount directly to the cutterbar and replace the existing pointed guards. They can improve cutting performance in tough, stringy grass type crops, and crops that need to be cut close to the ground.

FEATURES/BENEFITS

- » Improves cutting performance in tough, stringy grass type crops
- » Improved cutting performance in crops that need to be cut close to the ground

IDEAL FOR THESE CROP CONDITIONS

Tough, stringy grass type crop conditions.

IDEAL FOR THESE FIELD CONDITIONS

Any field condition.

IDEAL FOR THESE AREAS

Any area.



SPECIFICS

Available For:

D1 & FD1

Bundle #:

25' (7.6 m)	B5011
30' (9.1 m)	B5012
35' (10.7 m)	B5013

Weight:

B5011	206 lbs (93 kg)
B5012	238 lbs (108kg)
B5013	272 lbs (123kg)

Dealer Set-Up Time:

B5011	7.5
B5012	8
B5013	8.5

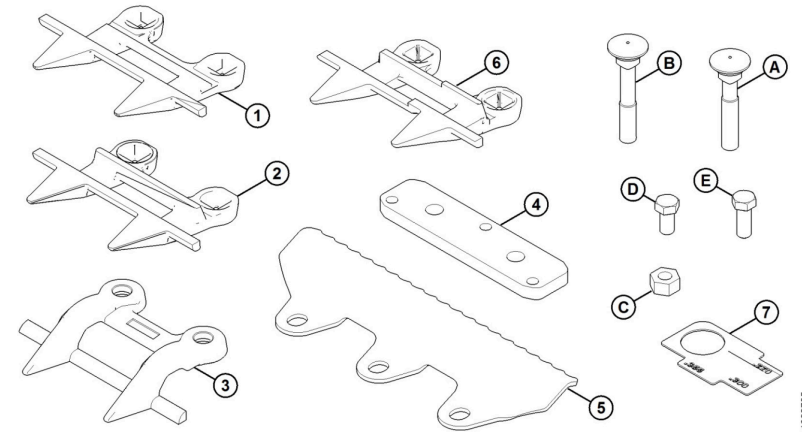


Download Installation Instructions

1. Click on this download icon
2. Log into the MacDon Dealer Portal
3. Search for **169104**

PARTS LIST - Stub Guards

REF	PART #	DESCRIPTION	QTY				
			B5009	B5010	B5011	B5012	B5013
1	118347	SICKLE GUARD – STUB W/O WEARBAR (DRIVE END)	8	8	8	8	8
2	118346	SICKLE GUARD	22	36	46	56	66
3	34359	GUIDE	29	40	50	60	70
4	34980	BAR – ADJUSTER	30	40	50	60	70
5	132405	RETAINER – DEFLECTOR	2	2	2	2	2
6	124775	SICKLE – GUARD, CENTER STUB	1	1	1	1	1
7	NSS	TOOL – STUB GAUGE	1	1	1	1	1
A	279575	BOLT – RHSN 7/16-14X2.5-GR5-ZP	52	74	94	114	134
B	132404	BOLT – RHSN SPECIAL 7/16 NC X 2.75 LG GR 5 ZP	8	8	8	8	8
C	18654	NUT – HEX 7/16 - 14 UNC GR 5 ZP	60	82	102	122	142
D	50119	BOLT – HH 3/8 NC X 0.75 STAIN STL	54	80	100	120	140
E	50120	BOLT – HH 3/8 NC X 1 STAIN STL	36	46	56	66	76



Note: This is a complete parts list, some parts are assembled before delivery.

Tine Tube Reinforcing Kit (For Rigid Headers)



WHAT IT IS/DOES

Tine tube reinforcing kits are available for five and six bat reels. They are designed to support high reel loads when cutting extremely heavy crops.

FEATURES/BENEFITS

» Ideal for extreme heavy reel loads

Notes:

The 1 Series headers feature revised reel layouts versus previous models. D135, D140, D145, FD140 (Double Knife) and FD145 headers feature extra reel discs reducing the need for this kit.

For prior models, two kits are required for single span reel headers and four kits are required for double reel headers.

IDEAL FOR THESE CROP CONDITIONS

High volume heavy crops conditions.

IDEAL FOR THESE FIELD CONDITIONS

Any field condition.

IDEAL FOR THESE AREAS

Any area.



SPECIFICS

Available For:

D1 (All Sizes)

Bundle #:

5 Bat Tine Tube Reinforcement Kit	B5825
6 Bat Tine Tube Reinforcement Kit	B5826

Weight:

B5825	20 lbs (9 kg)
B5826	24 lbs (10.8kg)

Dealer Set-Up Time:

B5825	3
B5826	3

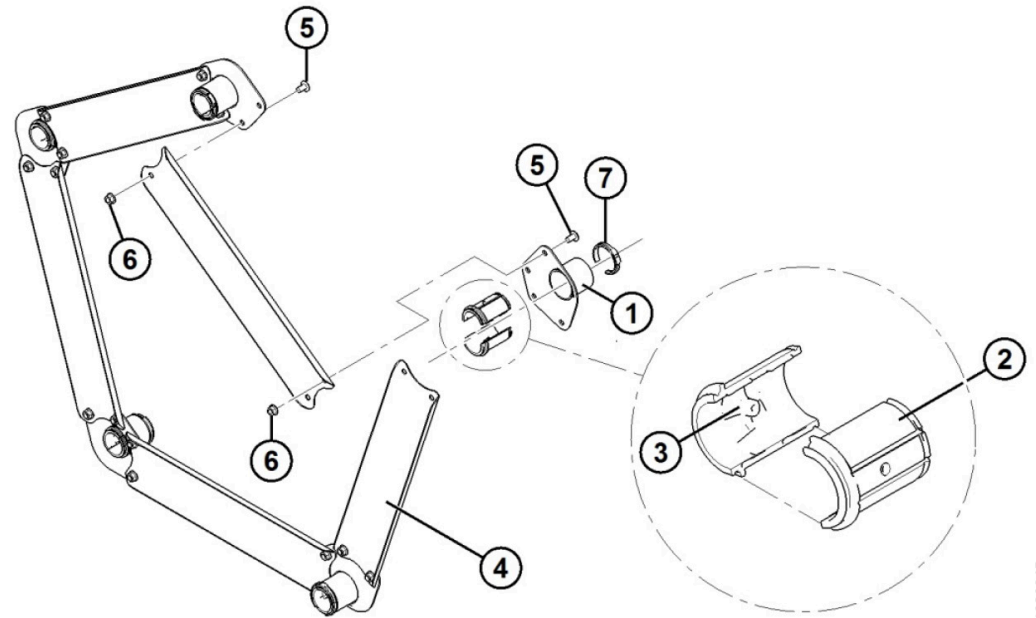


Download Installation Instructions

1. Click on this download icon
2. Log into the MacDon Dealer Portal
3. Search for **169809**

PARTS LIST - Tine Tube Reinforcing Kit (For Rigid Headers)

REF	PART #	DESCRIPTION	QTY	
			5-Bat	6-Bat
1	164988	SUPPORT WELDT	5	6
2	137539	TINE TUBE BUSHING	10	12
3	REF	NIPPLE ON INSIDE OF BUSHING (NOT A SEPARATE PART)		
4	164993	CHANNEL - TIE BAR 5 BAT REEL	5	0
4	164995	CHANNEL - TIE BAR 6 BAT REEL	0	6
5	135450	SCREW - MACHINE, TORX TRUSS HD, 3/8 IN.	20	24
6	30228	NUT - FLG DT SMOOTH FACE 0.375-16 UNC	20	24
7	137983	CLAMP - TINE TUBE BUSHING - CENTER RIB	5	6



1003845

Note: This is a complete parts list, some parts are assembled before delivery.

6 Bat & 9 Bat Reel Conversion Kits



WHAT IT IS/DOES

Extra reel bats are ideal for delicate crops. These extra bats allow for a slower reel speed with less load on the individual bats, to gently lift grasses and other stringy or delicate crops.

Notes:

Reel endshields must be ordered through Parts when converting 5 bat to 6 bat (Part # 164965).

Conversion to 9 bat first requires a 6 bat conversion unless the header is already spec'd as a 6 bat reel.

Reel endshields are included with 6 bat to 9 bat conversion kits.

IDEAL FOR THESE CROP CONDITIONS

Stringy or delicate crops conditions.

IDEAL FOR THESE FIELD CONDITIONS

Any field condition.

IDEAL FOR THESE AREAS

Any area.



Download Installation Instructions

1. Click on this download icon
2. Log into the MacDon Dealer Portal
- 3A. Search for **169283** (D1 Configured)
- 3B. Search for **214106** (FD1 Configured)

SPECIFICS

Available For:

D1 & FD1 (See Below for Sizes)

Size/Bats (D1 Series):	Bundle #:
25' 6 bat to 9 bat (Plastic Fingers)	B5937
25' 6 bat to 9 bat (Steel Fingers)	B5656
30' 6 bat to 9 bat (Plastic Fingers)	B6029
30' 6 bat to 9 bat (Steel Fingers)	B5657

Size /Bats (FD1 Series):	Bundle #:
25' 6 bat to 9 bat (Plastic)	B6981
30' 5 bat to 6 bat (Plastic Fingers)	B6344
30' 6 bat to 9 bat (Plastic Fingers)	B6347
35' 5 bat to 6 bat (Plastic Fingers)	B6345

Size/Bats (D1 Series):	Weight:
25' 6 bat to 9 bat (Plastic)	180 lbs (82 kg)
25' 6 bat to 9 bat (Steel)	234 lbs (106 kg)
30' 6 bat to 9 bat (Plastic)	240 lbs (109 kg)
30' 6 bat to 9 bat (Steel)	320 lbs (145 kg)

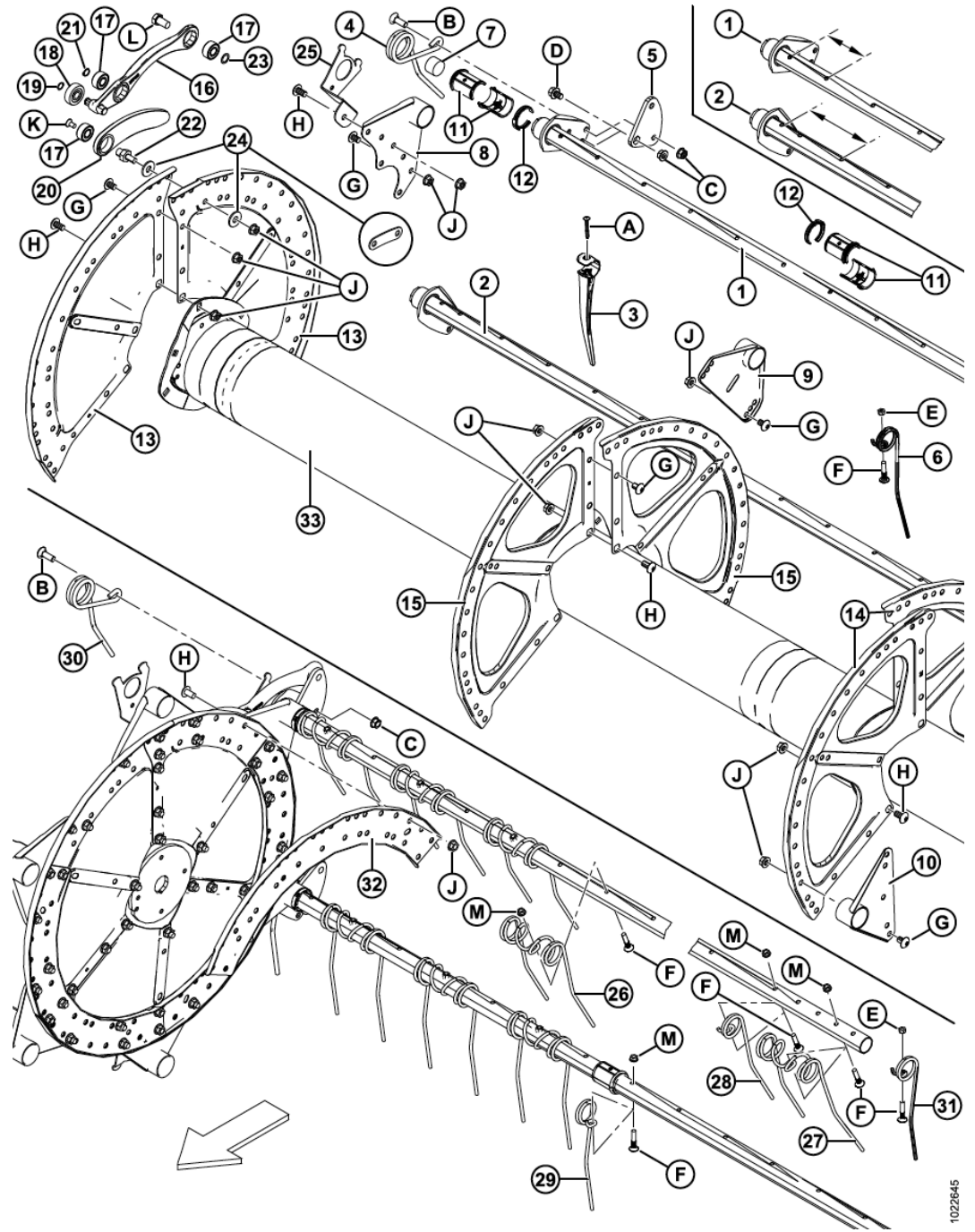
Size /Bats (FD1 Series):	Weight:
25' 6 bat to 9 bat (Plastic)	180 lbs (82 kg)
30' 5 bat to 6 bat (Plastic)	89 lbs (40 kg)
30' 6 bat to 9 bat (Plastic)	240 lbs (109 kg)
35' 5 bat to 6 bat (Plastic)	103 lbs (47 kg)

Size/Bats (D1 Series):	Dealer Set-Up Time:
25' 6 bat to 9 bat (Plastic)	5 hours
25' 6 bat to 9 bat (Steel)	5 hours
30' 6 bat to 9 bat (Plastic)	12 hours
30' 6 bat to 9 bat (Steel)	12 hours

Size /Bats (FD1 Series):	Dealer Set-Up Time:
25' 6 bat to 9 bat (Plastic Fingers)	5 hours
30' 5 bat to 6 bat (Plastic Fingers)	10 hours
30' 6 bat to 9 bat (Plastic Fingers)	12 hours
35' 5 bat to 6 bat (Plastic Fingers)	12 hours

PARTS LIST - 6 Bat & 9 Bat Reel Conversion Kits (DI headers) (Page 1 of 2)

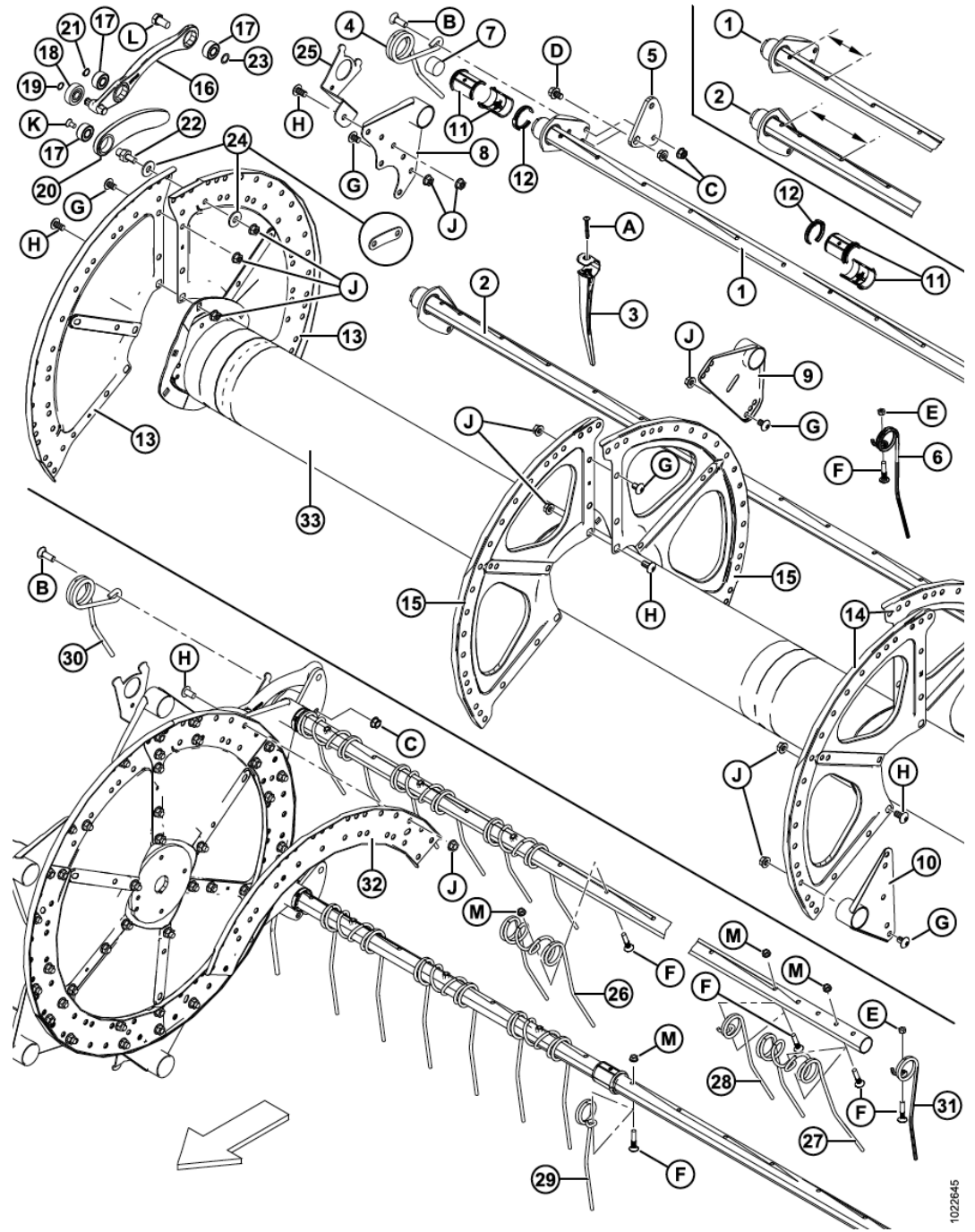
REF	PART #	DESCRIPTION	QTY			
			B5657	B5938	B5674	B6029
1	137415	TINE TUBE – NARROW STAGGER (30' HEADER)	4	-	-	4
2	137416	TINE TUBE – WIDE STAGGER (30' HEADER)	2	2	-	2
2	137571	TINE TUBE – LH AND RH WIDE STAGGER (35' HEADER)	-	-	2	-
3	174849	FINGER – PLASTIC HEAVY DUTY (10 PACK)	-	56	67	168
3	174850	FINGER – PLASTIC HEAVY DUTY (100 PACK)	-	56	67	168
4	245084	FINGER – CAM END	3	1	1	3
5	137285	ARM – CRANK MACHINING	6	2	2	6
6	164894	FINGER – TAIL END	-	1	1	3
7	137980	PLUG – TINE TUBE	12	4	4	12
8	137506	ARM WELDT – CAM END	6	2	2	6
9	137535	ARM WELDT	6	2	2	6
10	137543	ARM WELDT – TAIL END	6	2	2	6
11	220939	BUSHING HALF – TINE TUBE (BOX OF 25)	36	12	12	36
12	220941	CLAMP – TINE TUBE BUSHING, CENTER RIB (5 PACK)	18	6	6	18
16	137293	ASSEMBLY – TINE CONTROL ARM	6	2	2	6
17	273265	BEARING	18	6	6	18
18	50184	BEARING – CAM FOLLOWER	6	2	2	6
19	30523	RING – EXT RETAINING	6	2	2	6
20	137297	ARM – C/W BEARINGS	6	2	2	6
21	137523	RING – EXT RETAINING	6	2	2	6
22	279700	STUD – LINK (BOX OF 5)	6	2	2	6
23	137529	SHIM – CRANK BEARING	6	2	2	6
25	164958	SUPPORT – ENDSHIELD REEL	6	-	-	6
26	137092	FINGER	81	-	-	-
27	137971	FINGER – DOUBLE RH REEL TAIL END	3	-	-	-
28	137519	FINGER – LH SINGLE CONCENTRIC	6	-	-	-
29	137754	FINGER – RH SINGLE CONCENTRIC	2	-	-	-
30	164895	FINGER – CAM END	3	1	1	3
31	245083	FINGER – TAIL END	3	1	1	3



Note: This is a complete parts list, some parts are assembled before delivery.

PARTS LIST - 6 Bat & 9 Bat Reel Conversion Kits (DI headers) (Page 2 of 2)

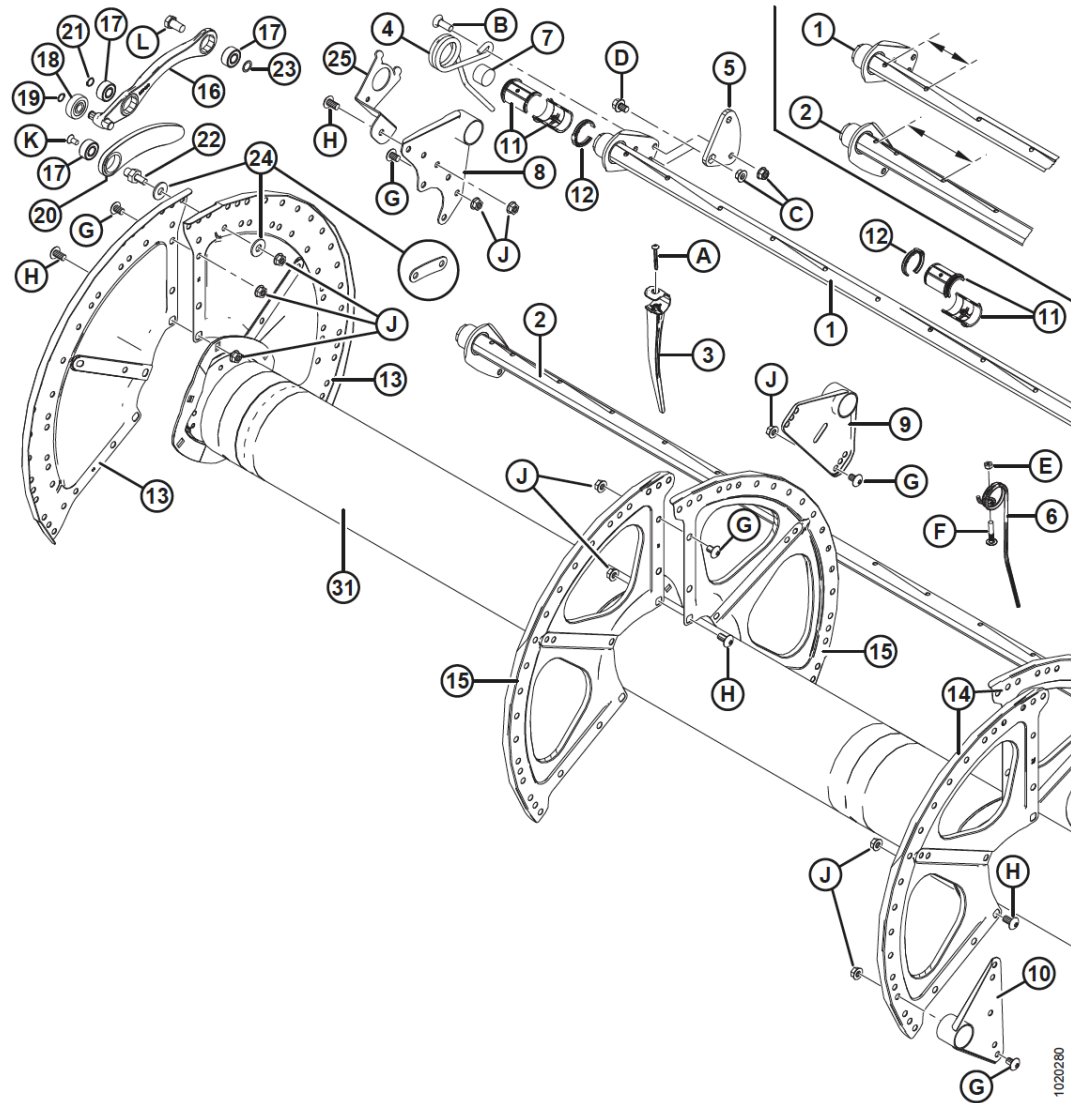
REF	PART #	DESCRIPTION	QTY			
			B5657	B5938	B5674	B6029
REF	164967	ENDSHIELD - 9 BAT SEGMENTED 5 SERIES	18	-	-	18
A	252687	SCREW - SET, TORX, 48° DBL HELIX 1/4 X 2-1/4 ZP	-	56	67	168
B	21469	BOLT - RHSN 1/2-13 X 1.5 GR 5 ZP	6	2	2	6
C	21383	NUT - FLANGE .500-13 UNC (SER FACE)	12	4	4	12
D	105066	BOLT - HH FLG (SER FACE) 1/2 -NC X 0.75 GR 5 ZP	6	2	2	6
E	18669	NUT - HEX LOCK DT 3/8-16 UNC ZP	3	2	2	6
F	137118	BOLT - BTN HD RIB NK 3/8 NC WITH RETAINER	2	2	2	6
G	105135	SCREW - MACHINE	18	8	8	18
H	105136	SCREW - MACHINE	24	10	10	24
J	50186	NUT - FLANGE LOCK SM FACE DT 0.500-13 UNC GR 5	48	20	20	48
K	113420	BOLT - CSK TORX 3/8 NC X 3/4 LG LOCKING	6	2	2	6
L	105141	BOLT - LOCKING SHOULDER	6	2	2	6
M	30228	NUT - FLG DT SMOOTH FACE 0.375-16 UNC	95	-	-	6



Note: This is a complete parts list, some parts are assembled before delivery.

PARTS LIST - 6 Bat & 9 Bat Reel Conversion Kits (FDI headers)

REF	PART #	DESCRIPTION	QTY		
			B6344	B6345	B6347
1	255749	TINE TUBE WELDT 30 FT NARROW	-	-	4
2	255746	TINE TUBE WELDT 30 FT WIDE	2	-	2
2	255712	TINE TUBE WELDT 35 FT LH & RH WIDE	-	2	-
3	137987	FINGER - PLASTIC HEAVY DUTY	82	102	258
4	245084	FINGER - CAM END	2	2	6
5	137285	ARM - CRANK MACHINING	2	2	6
6	164894	FINGER - TAIL END	2	2	6
7	137980	PLUG - TINE TUBE	4	4	12
8	137506	ARM WELDT - CAM END	2	2	6
9	137535	ARM WELDT	2	2	6
10	137543	ARM WELDT - TAIL END	2	2 <td 6	
12	137983	CLAMP - TINE TUBE BUSHING - CENTER RIB	6	6	18
16	137293	ARM - TINE CONTROL ASSY	2	2	6
17	137294	BEARING	4	4	12
18	50184	BEARING - CAM FOLLOWER	2	2	6
19	30523	RING - EXT RETAINING	2	2	6
20	137297	ARM - C/W BEARINGS	2	2	6
21	137523	RING - EXT RETAINING	2	2	6
22	137146	STUD - LINK	2	2	6
23	137529	SHIM - CRANK BEARING	14	14	42
25	164958	SUPPORT - ENDSHIELD REEL	-	-	6
REF	164967	ENDSHIELD - 9 BAT SEGMENTED 5 SERIES	-	-	18
A	252687	SCREW - 48° PLASTITE TWIN HELIX	82	102	258
B	21469	BOLT - RHSN 1/2-13 X 1.5-GR5-ZP	2	2	6
C	21383	NUT - FLANGE .500-13UNC (SERR FACE)	4	4	12
D	105066	BOLT - HH FLG (SERR FACE) 1/2 -NC X 0.75 GR 5 ZP	2	2	6
E	18669	NUT - HEX LOCK DT 3/8-16 UNC ZP	2	2	6
F	137118	BOLT - BTN HD RIB NK 3/8 NC WITH RETAINER	2	2	6
G	105135	SCREW - MACHINE	8	8	18
H	105136	SCREW - MACHINE	10	10	24
J	50186	NUT - FLANGE LOCK SM FACE DT 0.500-13UNC GR5	20	20	48
K	113420	BOLT - CSK TORX 3/8 NC X 3/4 LG LOCKING	2	2	6
L	105141	BOLT - LOCKING SHOULDER	2	2	6
REF	30228	NUT - FLANGE DT SMOOTH FACE 0.375-16UNC	-	-	6
REF	135157	SCREW - MACHINE	-	-	6



Note: This is a complete parts list, some parts are assembled before delivery.

Stubble Light Kit



WHAT IT IS/DOES

Exclusive to John Deere combines, the stubble light kit consists of two lights and brackets. For lighting behind the header outboard of the header legs.

FEATURES/BENEFITS

- » Better visibility in low light conditions.

IDEAL FOR THESE CROP CONDITIONS

Any crop condition.

IDEAL FOR THESE FIELD CONDITIONS

Any field condition.

IDEAL FOR THESE AREAS

Any area.



SPECIFICS

Available For:

Only for John Deere Combines

Bundle #:

B6634

Weight:

15 lbs (6.8 kg)

Dealer Set-Up Time:

0.5 hour

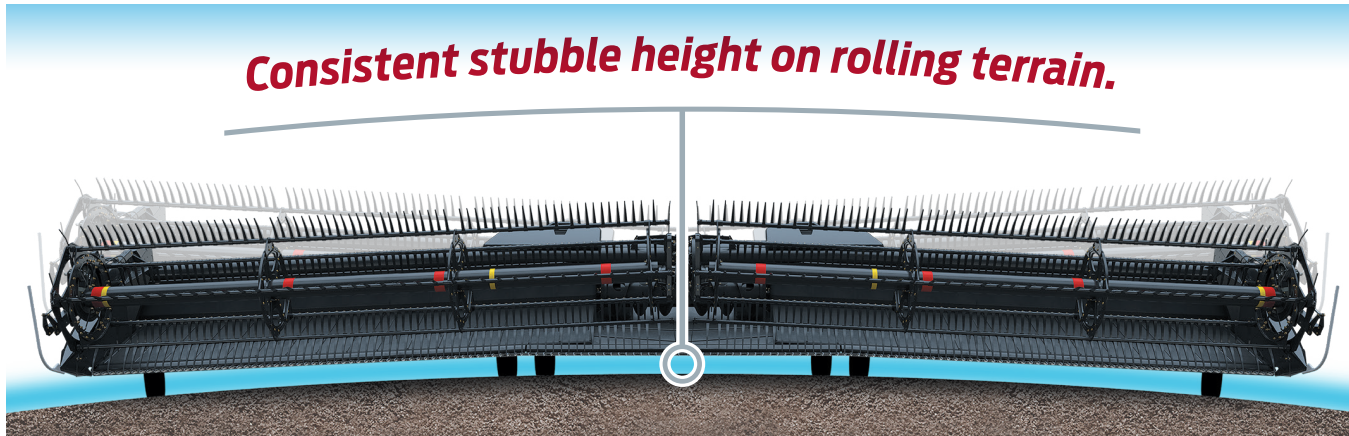


Download Installation Instructions

1. Click on this download icon
2. Log into the MacDon Dealer Portal
3. Search for **214782**

Contour Buddy (Contour Wheels)

MacDon®



Consistent stubble height on rolling terrain.

WHAT IT IS/DOES

Take FlexDraper® Performance Over the Top! The ContourBuddy Performance Option is a simple mechanical system that uses strategically placed wheels under the FlexDraper. This design takes full advantage of the FlexDraper's Flex/Float system mirroring the contours of the field while cutting up to 10 inches from the ground surface. Using ContourBuddy sets you up for next year's seeding with a consistent even stubble height.

FEATURES/BENEFITS

- » Takes full advantage of the FlexDraper's Flex/Float system mirroring the contours of the field while cutting up to 10 inches from the ground surface
- » Stubble heights between 4 inches (100mm) and 10 inches (250mm) from the ground surface*

*True range varies slightly depending on combine type.

IDEAL FOR THESE CROP TYPES

Any crop type where longer stubble heights are required.

IDEAL FOR THESE FIELD CONDITIONS

Any field condition.

IDEAL FOR THESE AREAS

Any area.



SPECIFICS

Available For:

FD70, FD75 & FD1 (All Sizes)

Bundle #:

B9036

Weight:

465 lbs (210 kg)

Dealer Set-Up Time:

2 hours

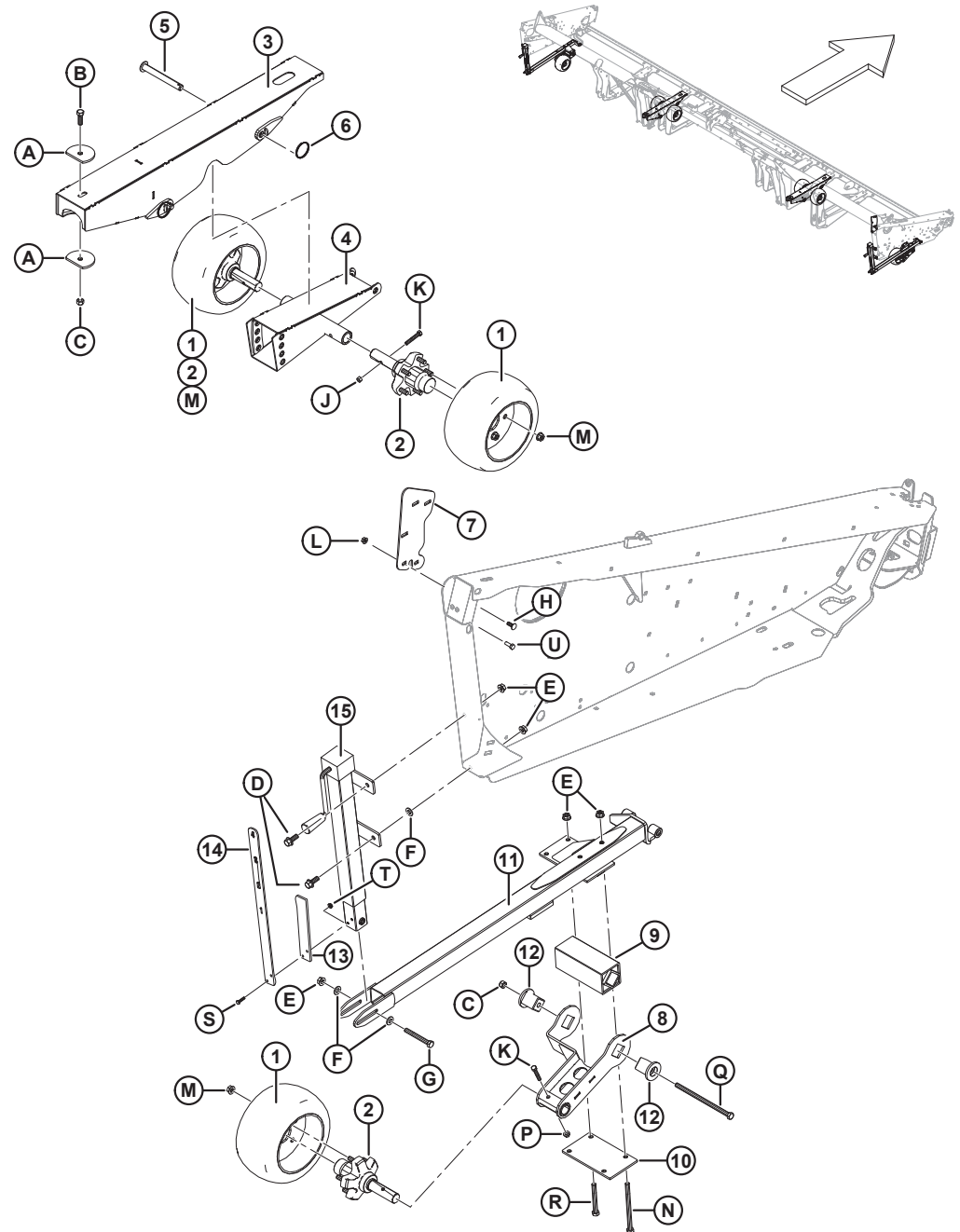


Download Installation Instructions

1. Click on this download icon
2. Log into the MacDon Dealer Portal
3. Search for **215502**

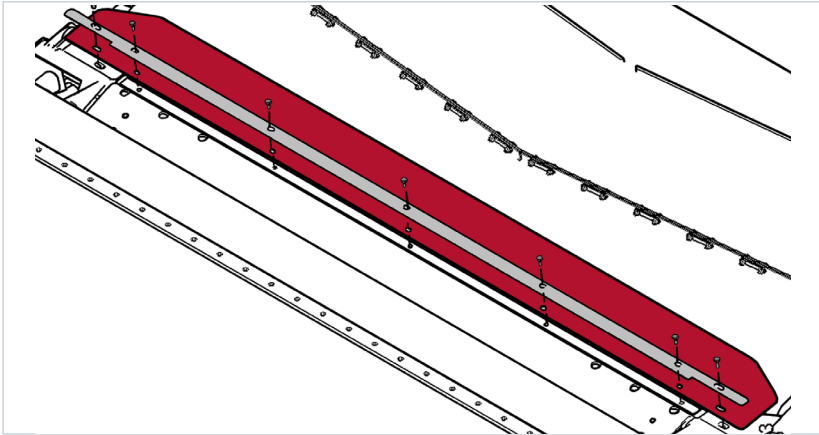
PARTS LIST - ContourBuddy (Contour Wheels)

REF	PART #	DESCRIPTION	QTY
	284618	KIT - CONTOUR BUDDY	1
1	284584	WHEEL - SOLID TIRE 6 X 8	6
2	284583	HUB - AXLE 5 X 4.5 MACHINED	6
3	284606	SUPPORT - AXLE FRAME	2
4	284612	SUPPORT - INBOARD AXLE	2
5	284603	PIN	4
6	118137	RING	4
7	304523	PLATE - LIGHT EXT. BRACKET	1
8	284558	SUPPORT - LH ISOLATOR	1
	284574	SUPPORT - RH ISOLATOR	1
9	258054	HOUSING - TORSION ISOLATOR	2
10	284568	PLATE - CLAMP	2
11	284555	BEAM - LH	1
	284576	BEAM - RH	1
12	229973	RETAINER - ISOLATOR	4
13	284699	SPACER - INDICATOR	2
14	284700	PLATE - JACK SCALE	2
15	284664	JACK - LH W/ CB DECAL 2	1
	284665	JACK - RH W/ CB DECAL 2	1
A	284602	WASHER - CHANNEL	4
B	252641	BOLT - HH 1/2-13 X 1.5-GR8-AA3L	2
C	18697	NUT - HEX LOCK DT .500-13 UNC	4
D	21449	BOLT - HEX FLG HD 1/2-13 UNC X 1 IN. GR 5 AA1J	4
E	50186	NUT - FLANGE LOCK SM FACE DT 0.500-13 UNC GR 5	14
F	135369	WASHER - HARDENED ASTM F436 1/2	6
G	21589	BOLT - HH 1/2 NC X 4.0 LG GR 5 ZP	2
H	100456	BOLT - RHSSN 3/8 NC X 1.0 GR 5 ZP	2
J	135511	NUT - CENTER LOCK .375-16 UNC GR 5 ZP	4
K	20055	BOLT - HH 3/8 NC X 2.25 LG GR 5 ZP	6
L	21452	NUT - FLANGE (SER FACE) .375-16 UNC	2
M	188470	NUT - FLANGE LOCK SM FACE DT 0.500-20 UNF GR G	30
N	50009	BOLT - HH 1/2 NC X 7.0 LG GR 5 ZP	4
P	30228	NUT - FLANGE DT SMOOTH FACE 0.375-16 UNC	2
Q	109091	BOLT - HH 1/2 NC X 9.0 LG GR 5 ZP	2
R	30209	BOLT - HH 1/2 NC X 4.5 LG GR 5 ZP	4
S	21573	BOLT - HEX HD 1/4 NC X 1.0 LG GR 5 ZP	4
T	135248	NUT - HEX FLG CTR LOC	4
U	20077	BOLT - HEX HD TFL 3/8-16 UNC X 1 IN. GR5 AA1J (FOR FD70 DOUBLE KNIFE HEADERS ONLY)	1



Note: This is a complete parts list, some parts are assembled before delivery.

Extended Center Filler



WHAT IT IS/DOES

Extended Center Filler kit is a 1/8" (3 mm) thick reinforced flap that extends onto the feed draper of an FM100 Float Module.

FEATURES/BENEFITS

» To help reduce loss when cutting crops like beans and peas

IDEAL FOR THESE CROP TYPES

Soybeans, peas and other pulse crops.

IDEAL FOR THESE FIELD CONDITIONS

Any field condition.

IDEAL FOR THESE AREAS

Any area.



SPECIFICS

Available For:

All models, all sizes

Bundle #:

B6450

Weight:

2.32 lbs (1.05 kg)

Dealer Set-Up Time:

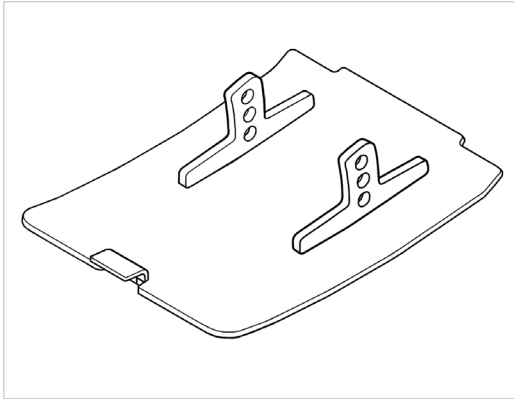
10 minutes



Download Installation Instructions

1. Click on this download icon
2. Log into the MacDon Dealer Portal
3. Search for **214243**

Steel Skid Shoes



WHAT IT IS/DOES

The Steel Skid Shoes kit provides extended wear skid shoes for use in rocky, abrasive conditions.

This kit is not recommended for use in wet mud or in conditions vulnerable to sparking.

FEATURES/BENEFITS

» Quick attach. Intended to replace existing polyethylene skid shoes

IDEAL FOR THESE CROP CONDITIONS

Normal dry conditions.

IDEAL FOR THESE FIELD CONDITIONS

Rocky, abrasive soil conditions.

IDEAL FOR THESE AREAS

Any area.



SPECIFICS

Available For:

D1, D1XL, FDI headers

Bundle #:

B6583

Weight:

140 lbs (64 kg)

Dealer Set-Up Time:

30 minutes



Download Installation Instructions

1. Click on this download icon
2. Log into the MacDon Dealer Portal
3. Search for **214774**

MacDon® *The Harvesting Specialists.*

MacDon.com