

MacDon[®] *The Harvesting Specialists.*



Performance Options

C & FC Series Corn Headers

Table of Contents



C & FC Series Performance Features (Factory Configured)	3	Tall End Dividers	9
Folding Corn Headers	4	Chopping	10
AHHC (Auto Header Height Control)	5	C & FC Series Performance Options (Dealer Installed)	11
Row Guidance	6	Stubble Stompers	12
Colored Snouts & Dividers	7	Upper Ear Saver Kit	13
Rotary End Dividers	8	Sunflower Kit - Export Only	14

C & FC Series Performance Features (Factory Configured)

Folding Corn Headers



WHAT IT DOES

Folding headers let you travel with ease from field-to-field during harvest. Go from full harvesting width to completely folded in less than two minutes; the folding operates with push-button simplicity from the combine's cab.

FEATURES/BENEFITS

- » Reduces transport width
- » Eliminates the need for a header trailer

IDEAL CROP CONDITIONS

Any crop conditions.

IDEAL FIELD CONDITIONS

Any field conditions.

SPECIFICS

- » All folding headers are available in chopping and non-chopping configurations
- » Factory ordered configuration only, please see Product Price List for ordering information
- » Comes in multiple row size and width configurations and depends on market area

Model	Number of Rows	Row Width	Market (NA or EXP)
C7006F	6	70 cm (28 in)	Export
C7506F	6	75 cm (30 in)	Export
C8006F	6	80 cm (32 in)	Export
C6007F	7	60 cm (24 in)	Export
C7008F	8	70 cm (28 in)	Export
C7508F Export, C3008F NA	8	75 cm (30 in)	Export & North America
C8008F	8	80 cm (32 in)	Export
C6009F	9	60 cm (24 in)	Export
C7509F	9	75 cm (30 in)	Export
C5012F	12	50 cm (20 in)	Export
C7012F	12	70 cm (28 in)	Export
C7512F Export, C3012F NA	12	75 cm (30 in)	Export & North America

AHHC (Auto Header Height Control)



WHAT IT DOES

AHHC measures header height above the ground and allows the combine to accurately follow the ground contour for repeatable performance. This reduces lost ears, chances of unintentional header damage, and provides even stubble height.

FEATURES/BENEFITS

- » Helpful in lodged crop conditions when cutting close to the ground
- » Even stubble height

IDEAL CROP CONDITIONS

Any crop conditions.

IDEAL FIELD CONDITIONS

Any field conditions.

SPECIFICS

- » Standard on all FC headers. Optional on C Series.

Compatible With:

C & FC Series
All header sizes



WHAT IT DOES

Row guidance utilizes two stainless steel feeler wands to keep the harvester centered on the row for optimum performance.

FEATURES/BENEFITS

- » Reduces operator fatigue
- » Improves performance in downed crop or when it is difficult to see defined rows

IDEAL CROP CONDITIONS

All crop conditions.

IDEAL FIELD CONDITIONS

All field conditions.

SPECIFICS

Compatible With:

C & FC Series
All row spacings, all header sizes

- » Combines that have a supported row guidance steering system.

Colored Snouts & Dividers

MacDon



WHAT IT DOES

Matches header color to combine color if desired; standard Grey, CIH Red, JD Green, NH Yellow.

IDEAL CROP CONDITIONS

Any crop conditions.

IDEAL FIELD CONDITIONS

Any field conditions.

SPECIFICS

» Factory ordered configuration, please see Product Price List for ordering information.

Compatible With:

C & FC Series
Compatible with all header sizes



WHAT IT DOES

Aid harvesting in downed crop conditions.

FEATURES/BENEFITS

- » Helps feeding in downed crop
- » In-Cab adjustable speed

IDEAL CROP CONDITIONS

Any crop conditions.

IDEAL FIELD CONDITIONS

Any field conditions.

SPECIFICS

Compatible With:

C & FC Series
Compatible with all header sizes

- » Factory installed option, also available through parts. Please see Product Price List for ordering information with a new header
- » Rotary End Dividers are compatible with Tall End Dividers for tall standing corn



WHAT IT DOES

Assists in dividing rows and saving ears in tall standing corn.

FEATURES/BENEFITS

- » Reduces ear loss at the end row
- » Improves row dividing in taller crop

Notes:

Remove for lodged crop conditions

IDEAL CROP CONDITIONS

Tall standing crop.

IDEAL FIELD CONDITIONS

Any field conditions.

SPECIFICS

Compatible With:

C & FC Series
Compatible with all header sizes

- » Factory ordered configuration, also available through parts. Please see Product Price List for ordering information.
- » Compatible with Rotary End Dividers

Chopping (Residue Management)

MacDon®



WHAT IT DOES

With the chopping option, stalks are consistently chopped into 5-7.5 cm (2-3 in) pieces.

FEATURES/BENEFITS

- » Two blade rotary chopper with reversible blades
- » 2800 rpm chopper speed
- » Front mount for optimal performance; shortest, consistent residue size
- » Simple to engage/disengage on row chopping mechanism

IDEAL CROP CONDITIONS

Any crop conditions.

IDEAL FIELD CONDITIONS

Any field conditions.

SPECIFICS

- » Factory ordered configuration.
Please see Product Price List for ordering information.

ONE-PASS RESIDUE MANAGEMENT

Seedbed preparation starts at harvest time. With a strong focus on agronomy, MacDon C and FC Series headers provide industry-leading residue management. MacDon's OctiRoll™ system creates well-conditioned, evenly chopped, and evenly distributed residue in a single pass - even in the toughest corn varieties. MacDon's thorough and consistent processing results in faster decomposition to maximize the potential for next year's crop.

1. CUTTING AND CRIMPING:

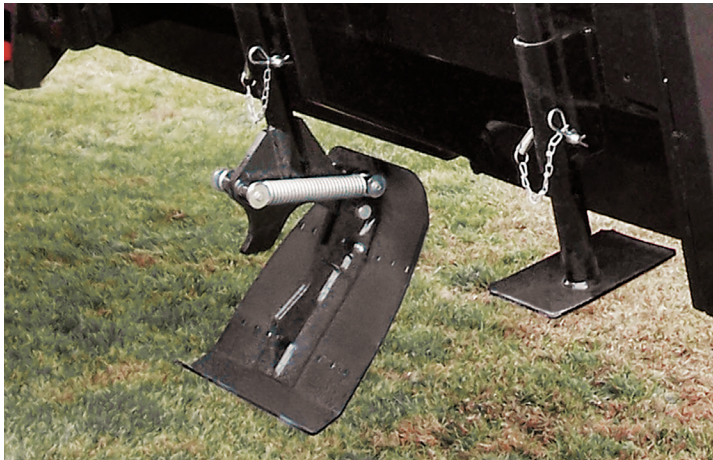
Improving on the traditional snapping roll model, MacDon Corn Headers feature MacDon's innovative OctiRoll™. The unique design of the OctiRoll™ incorporates four point-to-point knives and four serrated flutes that alternate to cut and crimp the stalk every 3 inches. The OctiRoll™ cut/crimp action speeds up the microbial breakdown process, helping it decompose quicker than a typical corn header.

2. CHOPPING:

While the four extra serrated flutes on each OctiRoll™ help to pull stalks aggressively through, the optional chopper blades consistently chop residue into 5 to 7.5 cm (2 to 3-inch) pieces at harvesting speeds up to 12 km/h (7.5 mph).

C & FC Series Performance Options (Dealer Installed)

Stubble Stompers



WHAT IT DOES

Helps prevent combine tire or track degradation, particularly in chopped or short corn stubble.

FEATURES/BENEFITS

- » Spring loaded
- » Adjustable

IDEAL CROP CONDITIONS

Any crop conditions.

IDEAL FIELD CONDITIONS

Any field conditions.

Notes:

No stubble stomper mounting locations are provided underneath the feeder house
Not compatible with FC series

SPECIFICS

Compatible With:

C Series

Bundle #:

B6733
One bundle contains two stubble stompers

See chart below for compatibility

Stubble Stomper Mounting Locations (On Row #)				
	50.8 cm (20")	55.9 cm (22")	76.2 cm (30")	96.5 cm (38")
6 Row	-	-	1, 2, 5, 6	-
8 Row	-	1, 2, 7, 8	1, 2, 3, 6, 7, 8	1, 2, 3, 6, 7, 8
8 Row Folding	-	-	2, 3, 6, 7	-
12 Row	2, 3, 4, 9, 10, 11	2, 3, 4, 9, 10, 11	3, 4, 5, 8, 9, 10	3, 4, 5, 8, 9, 10
12 Row Folding	-	-	3, 4, 5, 8, 9, 10	-
16 Row	-	-	5, 6, 7, 10, 11, 12	-
18 Row	5, 6, 7, 12, 13, 14	5, 6, 7, 12, 13, 14	-	-



WHAT IT DOES

The Upper Ear Saver kit attaches to the rear of the snout and aids in preventing ears from bouncing back out over the front of the header.

FEATURES/BENEFITS

- » Ear retention

IDEAL CROP CONDITIONS

- » Dry conditions in tall standing crop when harvesting lower
- » Thin crop stands when traveling slower

IDEAL FIELD CONDITIONS

Any field conditions.

SPECIFICS

Compatible With:

C & FC Series
Compatible with 20", 22", and 30" spacing only

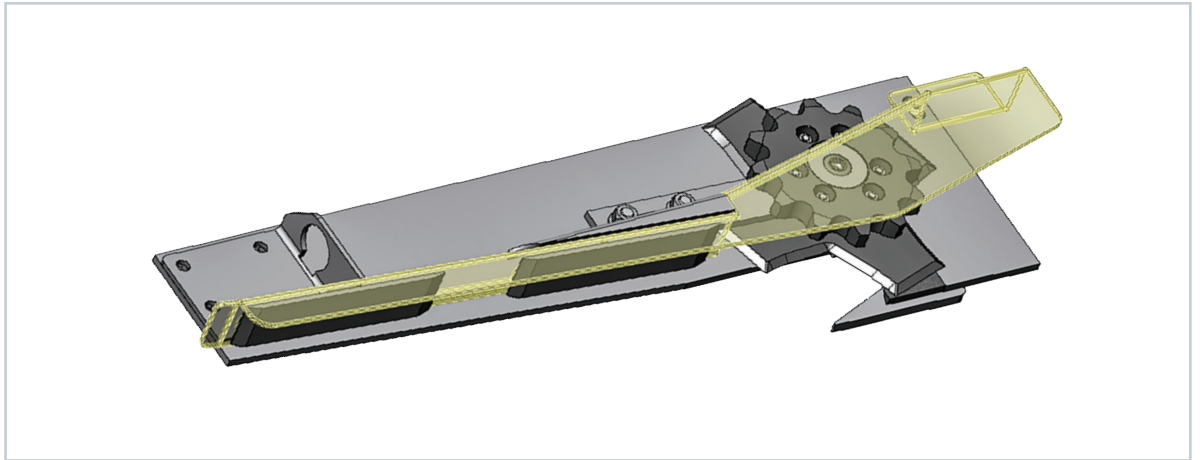
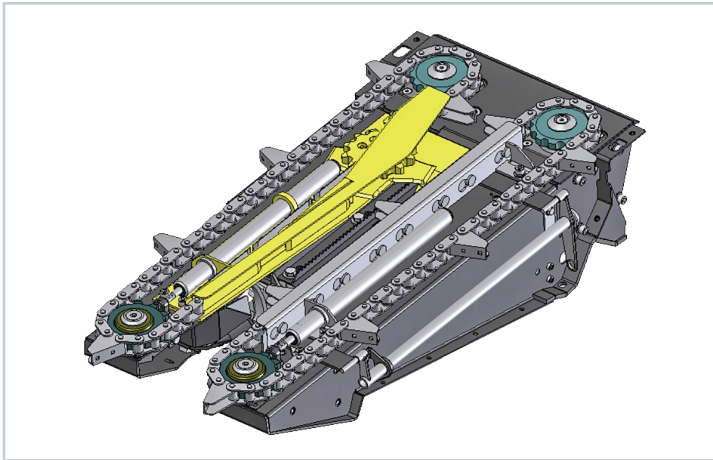
Bundle #:

Order 1 bundle per row
B6732 - 30" rows
1.371.245 - 20" and 22" rows

Notes:

Remove for lodged crop conditions

Sunflower Kit - Export Only



WHAT IT DOES

The Sunflower kit enables the C Series corn header to be used in the harvesting of sunflowers.

FEATURES/BENEFITS

» Europe only

IDEAL CROP CONDITIONS

Sunflowers only.

IDEAL FIELD CONDITIONS

Any field conditions.

SPECIFICS

Compatible With:

C Series

Bundle #:

Order 1 bundle per row

B6939

For folding headers only, reduce the number of B6939 by one and substitute 1x B6956 on the last snapping unit on the RH end of the main frame.

Note:

Must remove snapping rolls to avoid excessive losses

MacDon® *The Harvesting Specialists.*

MacDon.com