

OPERATING VARIABLES

Crop Type	Stubble Height (in.)	Crop Condition	Divider Rods	Draper Speed (Note 7)	Header Angle (Notes 1 and 4)	Knife Speed (Note 2)	Reel/Cam Setting	Reel Speed % (Note 3)	Reel Position	Skid Shoe Position (Note 4)	Stabilizer Wheels (Notes 4 and 5)	Upper Cross Auger	Notes
Cereals	<4	Light	Off	8	B - C	600-650	3	10-15	6 or 7	Up or Center	Storage	Not Required	Note 1: Set header angle as shallow as possible (setting A) with center-link and skid shoes while maintaining cutting height. Note 2: Minimum knife drive pulley rpm. Applicable only to single-knife headers. Note 3: Percentage above ground speed. Note 4: Cutting height is controlled with a combination of skid shoes and header angle. Note 5: Stabilizer wheels are used to limit the side to side movement when cutting off the ground in rolling terrain, and to minimize bouncing. Note 6: Available through your Dealer. Rice Divider Rod not required on both ends of header. Note 7: Setting on CA25 draper control.
		Normal	On	7		550-600	2	10	4 or 5		Storage	Recommended	
		Heavy	Off			525-600	3 or 4	5-10				Not Required	
		Lodged	Off										
Cereals	4-8	Light	Off	8	B - C	600-650	4	10-15	6 or 7	Center or Down	Note 5	Not Required	
		Normal	On	7	A	550-600	2	10		Center or Down		Recommended	
		Heavy	Off			525-600	3 or 4	5-10	4 or 5	Down		Not Required	
		Lodged	Off										
Canola	4-8	Light	On	7	A	600-650	2	5-10	6 or 7	Down	Note 5	Recommended	
		Normal	On	8	B - C	550-600	1	10	3 or 4	Center or Down		Recommended	
		Heavy	Off			525-600	2	5-10		Center or Down		Not Required	
		Lodged	Off										
California rice	10 +	Light	On	7	A	600-650	2	5-10	6 or 7	Not Applicable	Note 5	Recommended	
		Normal	On	8	B - C	550-600	1 or 2	10	3 or 4			Recommended	
		Heavy	Off			525-600	2 or 3	5-10				Not Required	
		Lodged	Off										
California rice	<4	Light	Rice Divider Rod (Note 6)	4	D	600-650		10-15	6 or 7	Up or Center	Storage	Not Required	
		Normal	On	7	B - C	550-600	2	10	4 or 5			Not Required	
		Heavy	Off			525-600		5-10				Not Required	
		Lodged	Off										
California rice	4-8	Light	Rice Divider Rod (Note 6)	4	D	600-650		10-15	6 or 7	Center or Down	Note 5	Not Required	
		Normal	On	7	B - C	550-600	3	10		Center or Down		Not Required	
		Heavy	Off			525-600	4	5-10				Not Required	
		Lodged	Off										
Delta rice	10 +	Light	Rice Divider Rod (Note 6)	4	A	600-650		10-15	6 or 7	Not Applicable	Note 5	Not Required	
		Normal	On	7	B - C	550-600	3	10		Not Applicable		Not Required	
		Heavy	Off			525-600	4	5-10				Not Required	
		Lodged	Off										
Delta rice	2-6	Light	Off	6	D	600-650		10-15	6 or 7	Center or Down	Note 5	Not Required	
		Normal	On	7	B - C	550-600	2 or 3	10		Center or Down		Not Required	
		Heavy	Off			525-600	3 or 4	5-10	4 or 5			Not Required	
		Lodged	Off										
Delta rice	8 +	Light	Off	6	A	600-650		10-15	6 or 7	Not Applicable	Note 5	Not Required	
		Normal	On	7	B - C	550-600	2 or 3	10		Not Applicable		Not Required	
		Heavy	Off			525-600	3 or 4	5-10	4 or 5			Not Required	
		Lodged	Off										
Soybeans		Light	On	8	D	600-650		5-10	6 or 7	Up or Center	Storage	Not Required	
		Normal	On	7	B - C	550-600	2	10		Up or Center		Not Required	
		Heavy	Off			525-600		5-10				Not Required	
		Lodged	Off										
Flax		Light	On	8	B - C	600-650		5-10	6 or 7	Center or Down	Note 5	Not Required	
		Normal	On	7	A	550-600	2	10		Center or Down		Not Required	
		Heavy	Off			525-600		5-10		Down		Not Required	
		Lodged	Off										
Peas		Light	On	7	B - C	600-650		5-10	6 or 7	Up or Center	Storage	Recommended	
		Normal	On	8	A	550-600	2	10		Up or Center		Recommended	
		Heavy	Off			525-600		5-10				Not Required	
		Lodged	Off										
Lentils		Light	On	8	B - C	600-650		5-10	6 or 7	Up or Center	Storage	Not Required	
		Normal	On	7	B - C	550-600	2	10		Up or Center		Not Required	
		Heavy	Off			525-600		5-10				Not Required	
		Lodged	Off										

THESE ARE THE 5 STEPS TO SET HEADER FLOAT AND WING BALANCE

IMPORTANT

Be sure to have read your operator's manual, and complete all set-up tasks before setting header float and wing

STEP 1: PRE-ADJUSTMENTS

Complete before adjusting float or wing balance.

1. Park combine on a level surface. Ensure that the combine feederhouse is level.
2. Adjust header so cutterbar is 6-10 inches (150-254 mm) off the ground.
3. Set guard angle to mid-position (between B and C on the indicator).
4. Set the reel fore-aft to mid-position (5 or 6 on reel arm decal).
5. Lower reel completely. Shut down the combine.
6. Place wing lock spring handles in the locked position.
7. Place header float locks in unlocked (lowered) position.
8. If equipped, set stabilizer/transport wheels to the fully raised position.

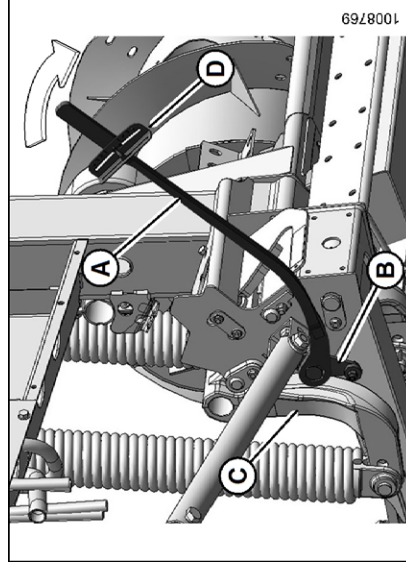
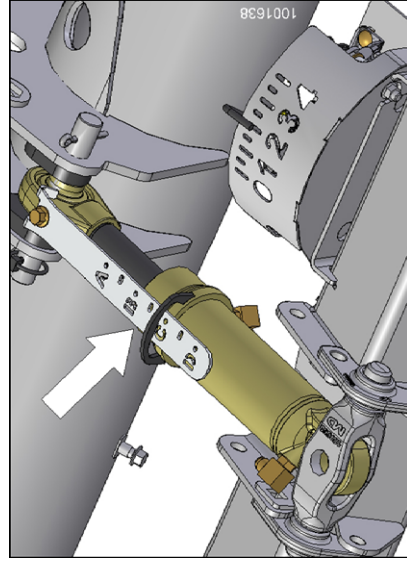
STEP 2: CHECK HEADER FLOAT

1. Remove the special torque wrench (A) from storage position on right side of the CA25 combine adapter.
2. Place torque wrench (A) on the float lock at (B). Note change in orientation of wrench between left and right side.
3. Push down on torque wrench (A) until bell crank (C) rotates forward.
4. Continue pushing down until indicator (D) on wrench reaches a MAXIMUM reading and begins to decrease. Note the maximum reading.
5. Repeat above steps for opposite side.
6. The readings should match the values in TABLE 1. HEADER FLOAT.

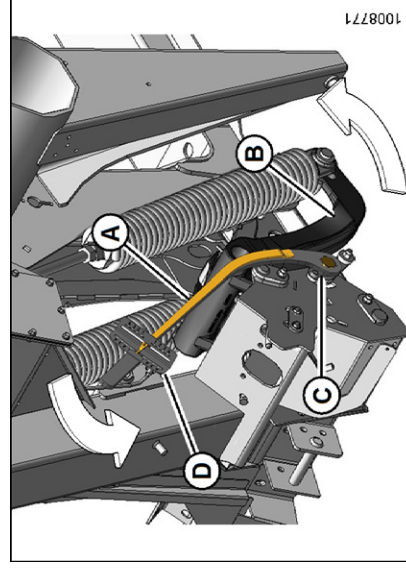
Header Width	Torque Settings	
	Cutting on the Ground	Cutting off the Ground
30 and 35 ft.	1-1/2 to 2	2 to 2-1/2
40 and 45 ft.	2 to 2-1/2	2-1/2 to 3

IMPORTANT

The torque settings in the above table are recommended header float settings. Crop and field conditions may require adjusting the float to values outside these guidelines.



LEFT SIDE



RIGHT SIDE

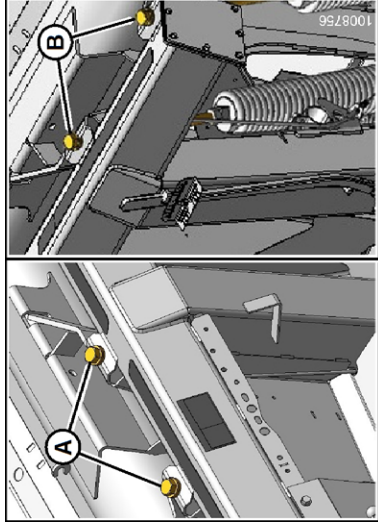
FD75 FlexDraper with CA25 Adapter Quick Card

STEP 3: SET HEADER FLOAT

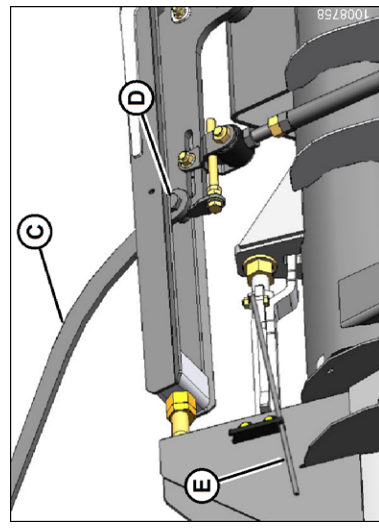
1. Refer to TABLE 1 for recommended initial float setting:
 - If reading on wrench is high, header is heavy, so increase float.
 - If reading on wrench is low, header is light, so decrease float.
2. Adjust header float to match values in TABLE 1. Turn each bolt pair equal amounts.
 - To **increase float** (lighter header), tighten (clockwise) float spring bolts (A) and (B).
 - To **decrease float** (heavier header), loosen (counter clockwise) float spring bolts (A) and (B).
- **Ensure wrench reading is EQUAL ON BOTH SIDES**

NOTE

For 40 and 45 ft. double-knife headers, adjust float as above, and then loosen **RIGHT SIDE FLOAT** spring bolts (B) 2 turns.



LEFT SIDE FLOAT RIGHT SIDE FLOAT



LEFT SIDE SHOWN, RIGHT SIDE OPPOSITE

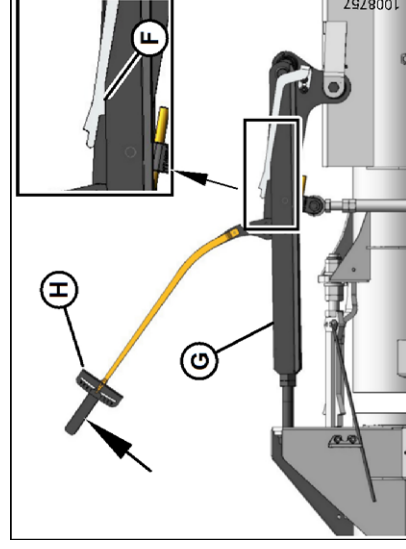
STEP 4: CHECK WING BALANCE

1. Remove poly linkage covers.
2. Place torque wrench (C) on bolt (D).
3. Move spring handle (E) to lower position so that lock link drops into lower slot.

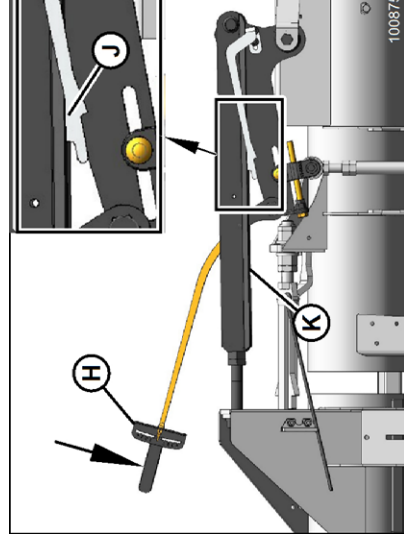
NOTE

If lock link does **not** engage lower slot, move with torque wrench (C) until lock link moves into slot.

4. Move wing **upward** with torque wrench (C) until pointer lower alignment tab (F) lines up with upper edge of top link (G). Note indicator reading (H) on wrench.
5. Move wing **downward** with torque wrench (C) until pointer upper alignment tab (J) lines up with the lower edge of the top link (K). Note indicator reading (H) on the wrench.
6. If the **difference** between the readings is **1 or less**, the wing is **balanced** and no further adjustment is required.
7. If the **difference** between the readings is **more than 1**, the wing is **not balanced**. Record the readings and proceed to **STEP 5**.



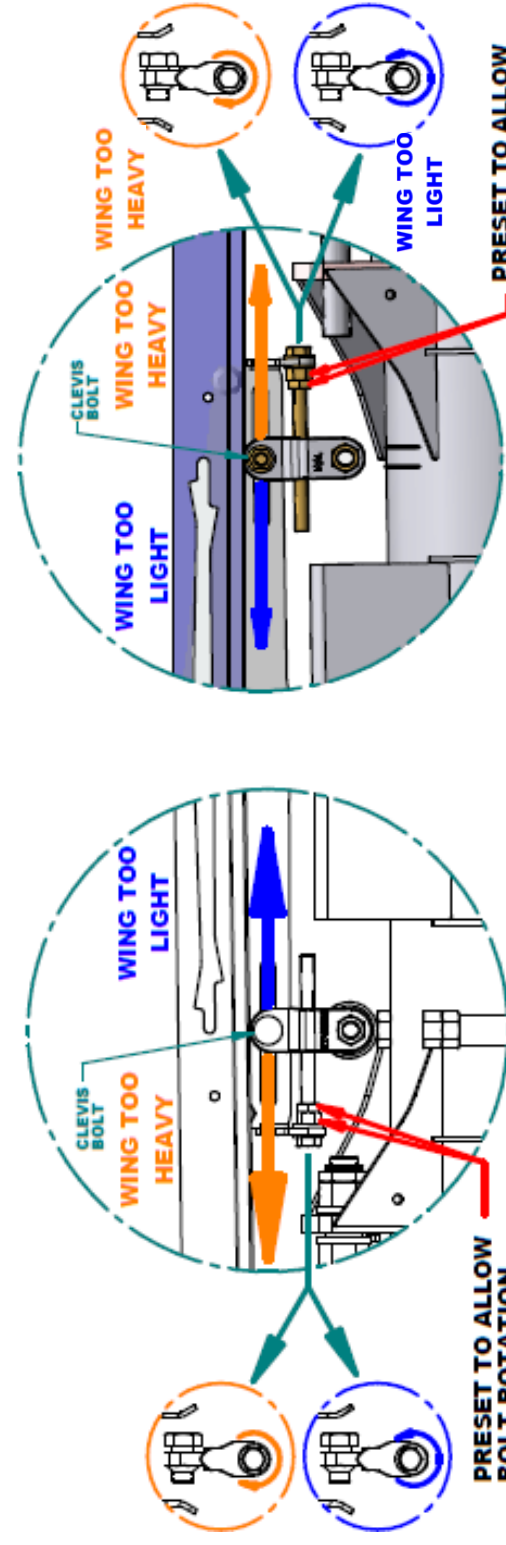
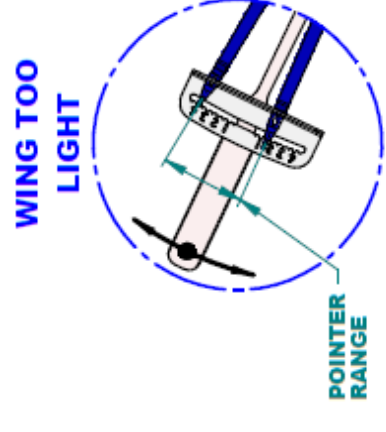
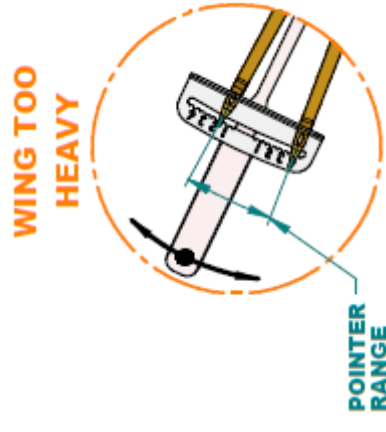
WING UP



WING DOWN

STEP 5: ADJUST WING BALANCE

1. Use the readings taken in **STEP 4**, and the images on this page to determine if the wing is too heavy or too light.
2. Loosen the clevis bolt for the wing requiring adjustment.
3. Balance the wing according to the Wing Balance Adjustment Detail image below.
4. Tighten the clevis bolt.
5. Repeat **STEPS 4 and 5** for the opposite wing (if necessary).
6. Re-install poly linkage covers.



PRESET TO ALLOW BOLT ROTATION DO NOT ADJUST

Left Side Wing Balance Adjustment Detail

Right Side Wing Balance Adjustment Detail