

Recommended Settings

Intended as a starting point. Fine-tune to crop and field conditions. Guidelines are subject to change without notice.

Crop Type	Stubble Height	Crop Condition	Divider Rods	Header Angle ¹	Knife Speed ²	Reel Tine Pitch ³	Reel Speed ⁴	Reel Fore-Aft ⁵	Skid Shoe Position ⁶	Stabilizer Wheels	Upper Cross Augers	Float ⁷	
Cereals	<4 in. (<102 mm)	Light	On	0-3	High	2	10%-15%	6 or 7	Up or Center	Storage	Not Required	70 lbf (311 N)	
		Normal			Medium		10%						
		Heavy		4-7	3		5%-10%	4 or 5					
		Lodged											
	4-8 in. (102-203 mm)	Light	On	0-3	High	2	10%-15%	6 or 7	Center or Down	Variable	Not Required	70 lbf (311 N)	
		Normal			Medium		10%		Down				
		Heavy		4-7	3		5%-10%	4 or 5					
		Lodged											
	>8 in. (>203 mm)	Light	On	0-3	High	2	10%-15%	6 or 7	Not Applicable	Variable	Not Required	150 lbf (667 N)	
		Normal			Medium		10%						
		Heavy		4-7	3		5%-10%	4 or 5					
		Lodged											
Canola	4-8 in. (102-203 mm)	Light	On	8-10	Medium	2	5%-10%	6 or 7	Variable	Variable	Not Required	70-100 lbf (311-445 N)	
		Normal			Low		1		10%				Center or Down
		Heavy						2			5%-10%		3 or 4
		Lodged											
	>8 in. (>203 mm)	Light	On	8-10	Medium	4	5%-10%	6 or 7	Not Applicable	Variable	Not Required	150 lbf (667 N)	
		Normal			Low		2						10%
		Heavy						3			5%-10%		
		Lodged											
Flax	2-6 in. (51-153 mm)	Light	On	4-7	High	2	5%-10%	6 or 7	Center or Down	Variable	Not Required	70-100 lbf (311-445 N)	
		Normal					0-3						10%
		Heavy											
		Lodged					8-10						
Edible Beans	0 in. (ground level)	Light	Off	8-10	Medium	2	5%-10%	3 or 4	Up or Center	Storage	Not Required	100 lbf (445 N)	
		Normal											
		Heavy											
		Lodged											3
Grass	0 in. (ground level)	Light	On	Variable	High	2	10%	6 or 7	Up or Center	Storage	Not Required	70-100 lbf (311-445 N)	
		Normal											
		Heavy											
		Lodged					10%-15%						
Alfalfa	0 in. (ground level)	Light	On	Variable	High	3	10%	6 or 7	Up or Center	Storage	Not Required	70-100 lbf (311-445 N)	
		Normal				2							
		Heavy				3							10%-15%
		Lodged											

Notes for using the Recommended Settings Chart

¹Header Angle

Header angle is the angle between the drapers and the ground and is adjustable to accommodate crop conditions and/or soil types.

The angle is displayed as a value from 0 (shallow) to 10 (steep) on the windrower cab display module (CDM).

²Knife Speed

The knife speed is displayed in the windrower cab display module (CDM) in strokes per minute (spm), and is adjustable with the controls in the windrower cab.

High – Upper part of range

Medium – Middle of range

Low – Lower part of range

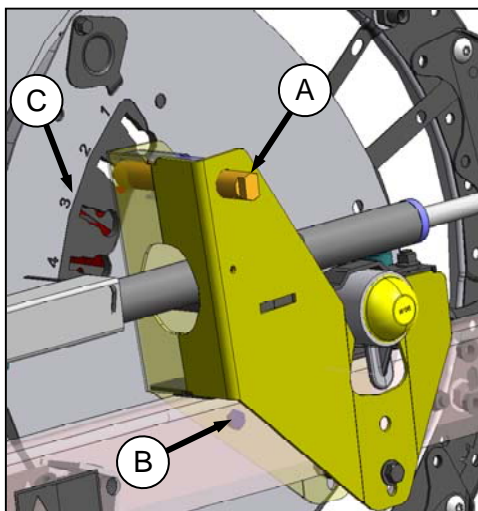
Header Size	Recommended Knife Speed Range (SPM)	
	Single Knife	Double Knife
15 ft.	---	1500–1900
20 and 25 ft.	1200–1400	1400–1700
30 ft.	1200–1400	1200–1600
35 ft.	1100–1300	1200–1400
40 ft.	1050–1200	1100–1400

³Reel Tine Pitch

Turn cam latch pin (A) to unlock cam disc.

Use wrench on bolt (B) until latch pin lines up with appropriate cam setting (C) between 1 and 4.

Increasing the cam setting increases the aggressiveness of the reel for picking up downed crop.



⁴Reel Speed

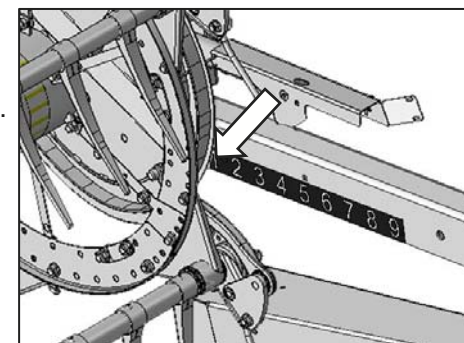
Operate the reel at suggested percentage above ground speed.

Reel speed is displayed on the cab display module in mph, km/h, or rpm, and is adjustable with the controls in the windrower cab.

⁵Reel Fore-Aft

Use back edge of reel cam disc and decal on reel support arm as a gauge.

Adjust fore-aft position with fore-aft controls in windrower cab.

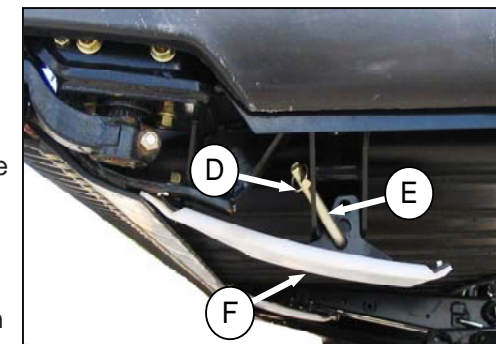


⁶Skid Shoes

Remove lynch pin (D), disengage pin (E) from the frame, and move skid shoe (F) to desired position. There are three hole positions: top, middle, and bottom.

For a lower cutting level, raise the skid shoe by installing pin (E) in the bottom hole.

For a higher cutting level, lower the skid shoe by installing pin (E) in the top hole.



⁷Float

The recommended float setting is 75–85 lbf. Rocky conditions or cutting at faster ground speeds, may require that float be set heavier to prevent excessive header movement. Refer to windrower operator's manual for procedures.

Draper Speed

Draper speed is set based on ground speed, crop mass, volume, and windrow formation. Faster ground speed or heavier crop require increased draper speed to convey material. Slower ground speed or lighter crop require slower draper speed to ensure even crop flow. Refer to windrower operator's manual.