

D65 Draper Header/CA25 Adapter Quick Card

IMPORTANT:

Read your operator's manual and complete all the setup tasks before setting the header float and wing balance.

Step 1: Preadjustments Complete before adjusting float

1. Park combine on a level surface, and ensure the combine feeder house is level.
2. Adjust header so cutterbar is 8–12 in. (200–300 mm) off the ground.
3. Set guard angle to mid-position (A) (between B and C on the indicator).
4. Set the reel fore-aft to mid-position (5 or 6 on reel arm decal).
5. Lower the reel completely, and shut down the combine.
6. Place header float locks in unlocked (lowered) position.
7. Set stabilizer/transport wheels (if equipped) to the fully raised position.

Step 2: Checking Header Float

1. Remove the special torque wrench (A) from the storage position on the right side of the CA25 combine adapter.
2. Place the torque wrench (A) on the float lock (B). Note the change in orientation of the wrench between the left and right side.
3. Push down on torque wrench (A) until bell crank (C) rotates forward.
4. Continue pushing down until indicator (D) on wrench reaches MAXIMUM reading and begins to decrease. Note the maximum reading.
5. Repeat above steps for opposite side.
6. Ensure the readings match the values in Table 1.1: Float Settings.

Step 3: Setting Header Float

1. Refer to Table 1.1: Float Settings for recommended initial float setting:
 - If reading on wrench is high, header is heavy, so increase float.
 - If reading on wrench is low, header is light, so decrease float.
2. Adjust the header float to match values in Table 1.1 Float Settings. Turn each bolt pair equal amounts.
 - **Increase float** (decrease header weight) by turning float adjustment bolts clockwise.
 - **Decrease float** (increase header weight) by turning float adjustment bolts counterclockwise.

IMPORTANT:

Ensure torque wrench reading is **EQUAL ON BOTH SIDES**.

Table 1.1: Float Settings

Header Size (ft.)	Torque Settings	
	Cutting on the Ground	Cutting off the Ground
30 and 35	1-1/2 to 2	2 to 2-1/2
40 and 45	2 to 2-1/2	2-1/2 to 3

IMPORTANT:

The torque settings in Table 1.1: Float Settings are recommended header float settings. It may be necessary to set float values outside of these ranges to accommodate varying crop and field conditions.

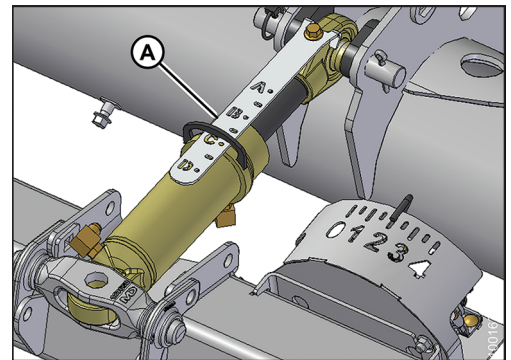


Figure 1.1: Center-Link

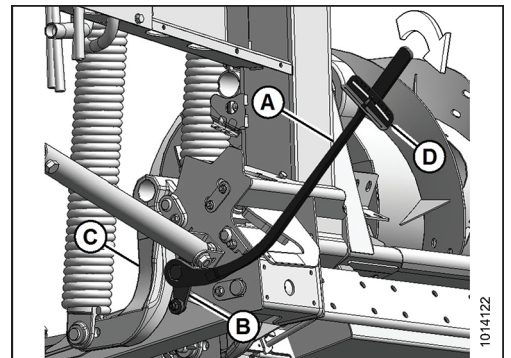


Figure 1.2: Left Side

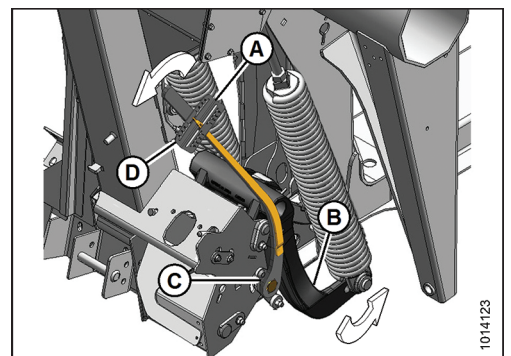


Figure 1.3: Right Side

D65/CA25 Recommended Settings

(Subject to change without notice)

Crop Type	Stubble Height (in.)	Crop Condition	Operating Variables									Notes	
			Divider Rods	Draper Speed (Note 6)	Header Angle (Notes 1 and 3)	Reel Cam Setting	Reel Speed % (Note 2)	Reel Position	Skid Shoe Position (Note 3)	Stabilizer Wheels (Notes 3 and 4)	Upper Cross Auger		
Cereals	< 4	Light	Off	8	B-C	3	10-15	6 or 7	Up or Center	Storage	Not Required	<p>Note 1: Set header angle as shallow as possible (setting A) with center-link and skid shoes while maintaining cutting height.</p> <p>Note 2: Percentage above ground speed.</p> <p>Note 3: Cutting height is controlled with a combination of skid shoes and header angle.</p> <p>Note 4: Stabilizer wheels are used to limit the side-to-side movement when cutting off the ground in rolling terrain and to minimize bouncing.</p> <p>Note 5: Available from your Dealer. Rice divider rod not required on both ends of header.</p> <p>Note 6: Setting on CA25 draper control.</p>	
		Normal	On	7		2	10				Recommended		
		Heavy	Off	3 or 4		5-10	4 or 5				Not Required		
		Lodged	Off	8		B-C	4				10-15		6 or 7
	Normal	On	7	A	2	10	Recommended						
	Heavy	Off	D	3 or 4	5-10	4 or 5	Not Required						
	Lodged	Off	8	A	4	10-15	6 or 7	Not Applicable	Note 4	Not Required			
	Normal	On	7	B-C	2	10				Not Required			
	Heavy	Off	3 or 4	5-10	4 or 5	Not Required							
	Lodged	Off	8	A	4	10-15				6 or 7	Down		Note 4
	Normal	On	7	B-C	1	10	Center or Down						
	Heavy	Off	8	D	2	5-10	3 or 4	Down					
Lodged	Off	7	D	2	5-10	3 or 4	Center or Down						
Canola	4-8	Light	On	7	A	2	5-10	6 or 7	Not Applicable	Note 4	Recommended		
		Normal			B-C	1	10					Down	
		Heavy			D	2	5-10					3 or 4	Center or Down
		Lodged			D	2	5-10					3 or 4	Center or Down
	8 +	Light	On	7	A	2	5-10	6 or 7	Not Applicable	Note 4	Recommended		
		Normal			B-C	1 or 2	10					3 or 4	
		Heavy			D	2 or 3	5-10					3 or 4	
		Lodged			D	2 or 3	5-10					3 or 4	
California Rice	< 4	Light	Rice Divider Rod (Note 5)	4	D	2	10-15	6 or 7	Up or Center	Storage	Not Required		
		Normal			B-C		10					4 or 5	
		Heavy			D		5-10					4 or 5	
		Lodged			D		5-10					4 or 5	
	4-8	Light	Rice Divider Rod (Note 5)	4	D	3	10-15	6 or 7	Center or Down	Note 4	Not Required		
		Normal			B-C		10					6 or 7	
		Heavy			D		4					5-10	6 or 7
		Lodged			D		4					5-10	6 or 7
	8 +	Light	Rice Divider Rod (Note 5)	4	A	3	10-15	6 or 7	Not Applicable	Note 4	Not Required		
		Normal			B-C		10					6 or 7	
		Heavy			D		4					5-10	6 or 7
		Lodged			D		4					5-10	6 or 7
Delta Rice	2-6	Light	Off	6	D	2 or 3	10-15	6 or 7	Center or Down	Note 4	Not Required		
		Normal			B-C		10					6 or 7	
		Heavy			D		3 or 4					5-10	4 or 5
		Lodged			D		3 or 4					5-10	4 or 5
	6 +	Light	Off	6	A	2 or 3	10-15	6 or 7	Not Applicable	Note 4	Not Required		
		Normal			B-C		10					6 or 7	
		Heavy			D		3 or 4					5-10	4 or 5
		Lodged			D		3 or 4					5-10	4 or 5
Soybeans	On ground	Light	On	8	D	2	5-10	6 or 7	Up or Center	Storage	Not Required		
		Normal			B-C		10					6 or 7	
		Heavy			D		5-10					6 or 7	
		Lodged			D		5-10					6 or 7	
Flax	2-6	Light	On	8	B-C	2	5-10	6 or 7	Center or Down	Note 4	Not Required		
		Normal			A		10					6 or 7	
		Heavy			B-C		10					6 or 7	
		Lodged			D		5-10					6 or 7	
Peas	On ground	Light	On	7	B-C	2	5-10	6 or 7	Up or Center	Storage	Recommended		
		Normal			B-C		10					6 or 7	
		Heavy			D		5-10					4 or 5	
		Lodged			D		5-10					4 or 5	
Lentils	On ground	Light	On	8	B-C	2	5-10	6 or 7	Up or Center	Storage	Not Required		
		Normal					B-C					10	6 or 7
		Heavy					D					5-10	6 or 7
		Lodged					D					5-10	6 or 7