

Recommended Settings

Intended as a starting point. Fine-tune to crop and field conditions. Guidelines are subject to change without notice.

Crop Type	Stubble Height	Crop Condition	Divider Rods	Header Angle ¹	Knife Speed ²	Reel Tine Pitch ³	Reel Speed ⁴ %	Reel Fore-Aft ⁵	Skid Shoe Position ⁶	Stabilizer Wheels	Upper Cross Augers	Float ⁷
Cereals	<102 mm (<4 in.)	Light	On	0-3	Medium	2	10-15	6 or 7	Up or Center	Variable	Not Required	311 N (70 lbf)
		Normal			High		10					
		Heavy		4-7	3		5-10	4 or 5				
		Lodged										
	102-203 mm (4-8 in.)	Light	On	0-3	Medium	2	10-15	6 or 7	Center or Down	Variable	Not Required	311 N (70 lbf)
		Normal			High		10		Down			
		Heavy		4-7	3		5-10	4 or 5				
		Lodged										
	>203 mm (>8 in.)	Light	On	0-3	Medium	2	10-15	6 or 7	Not Applicable	Storage	Not Required	667 N (150 lbf)
		Normal			High		10					
		Heavy		4-7	3		5-10	4 or 5				
		Lodged										
Canola	102-203 mm (4-8 in.)	Light	On	8-10	Low	2	5-10	6 or 7	Variable	Variable	Not Required	311-445 N (70-100 lbf)
		Normal			Medium		10		Center or Down			
		Heavy			2		5-10	3 or 4	Variable		Recommended	
		Lodged										
	>203mm (>8 in.)	Light	On	8-10	Low	4	5-10	6 or 7	Not Applicable	Storage	Not Required	667 N (150 lbf)
		Normal			Medium		10					
		Heavy			3		5-10	3 or 4				
		Lodged										
	51-153 mm (2-6 in.)	Light	On	4-7	High	2	5-10	6 or 7	Center or Down	Variable	Not Required	311-445 N (70-100 lbf)
		Normal					0-3					
		Heavy					4-7					
		Lodged					8-10					
Edible Beans	Ground level (0 in.)	Light	Off	8-10	Medium	2	5-10	3 or 4	Up or Center	Storage	Not Required	445 N (100 lbf)
		Normal										
		Heavy										
		Lodged										
Grass	Ground level (0 in.)	Light	On	Variable	High	2	10	6 or 7	Up or Center	Storage	Not Required	311-445 N (70-100 lbf)
		Normal										
		Heavy										
		Lodged					10-15					
Alfalfa	Ground level (0 in.)	Light	On	Variable	High	3	10	6 or 7	Up or Center	Storage	Not Required	311-445 N (70-100 lbf)
		Normal										
		Heavy										
		Lodged				3						

Notes for using the Recommended Settings Chart

¹Header Angle

Header angle is the angle between the drapers and the ground, and is adjustable to accommodate crop conditions and/or soil types.

The angle is displayed as a value from 0 (shallow) to 10 (steep) on the windrower cab display module (CDM).

²Knife Speed

The knife speed is displayed in the windrower cab display module (CDM) in strokes per minute (spm), and is adjustable with the controls in the windrower cab.

High – Upper part of range

Medium – Middle of range

Low – Lower part of range

Header Size meter (foot)	Recommended Knife Speed Range (SPM)	
	Single Knife	Double Knife
4.6 (15)	---	1500–1900
6.1 & 7.6 (20 & 25)	1200–1400	1400–1700
9.1 (30)	1200–1400	1200–1600
10.7 (35)	1100–1300	1200–1400
12.2 (40)	1050–1200	1100–1400

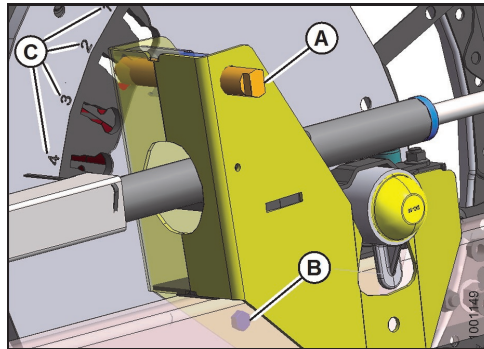
³Reel Tine Pitch

Turn cam latch pin (A) to unlock cam disc.

Use wrench on bolt (B) until latch pin lines up with appropriate cam setting (C) between 1 and 4.

Increasing the cam setting increases the aggressiveness of the reel for picking up downed crop.

Cam setting 2 is ideal for standing crop.



⁴Reel Speed

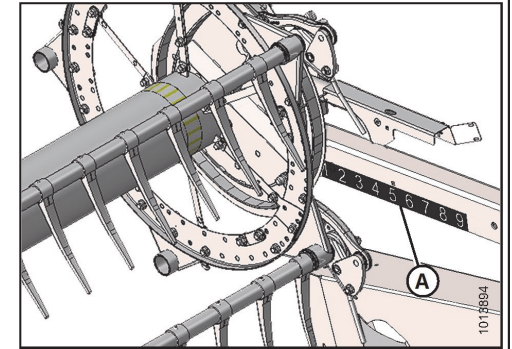
Operate the reel at suggested percentage above ground speed.

Reel speed is displayed on the cab display module in mph, km/h, or rpm, and is adjustable with the controls in the windrower cab.

⁵Reel Fore-Aft

Use back edge of reel cam disc and decal (A) on reel support arm as a gauge.

Adjust fore-aft position with fore-aft controls in windrower cab.

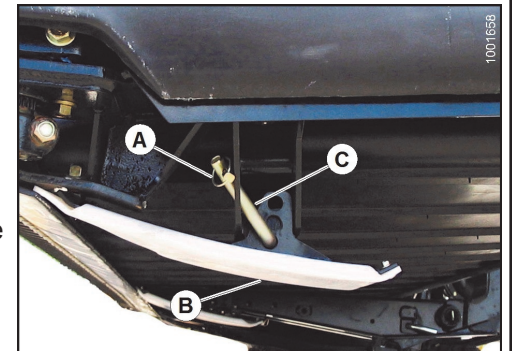


⁶Skid Shoes

Remove lynch pin (A), disengage pin (C) from the frame, and move skid shoe (B) to desired position. There are three hole positions: top, middle, and bottom.

For a lower cutting level, raise the skid shoe by installing pin (C) in the bottom hole.

For a higher cutting level, lower the skid shoe by installing pin (C) in the top hole.



⁷Float

The recommended float setting is 102–115 N (75–85 lbf). Rocky conditions or cutting at faster ground speeds may require that float be set heavier to prevent excessive header movement. Refer to windrower operator's manual for procedures.

Draper Speed

Draper speed is set based on ground speed, crop mass, volume, and windrow formation. Faster ground speed or heavier crops require increased draper speed to convey material. Slower ground speed or lighter crops require slower draper speed to ensure even crop flow. Refer to windrower operator's manual.