

## Header Angle <sup>1</sup>

Header angle is the angle between the knife/guards and the ground, and is adjustable to accommodate crop conditions and/or soil types.

The angle is displayed as a value from 0 (shallow) to 10 (steep) on the windrower cab display module (CDM).

## Knife Speed <sup>2</sup>

The knife speed is displayed on the windrower CDM in strokes per minute (spm), and is adjustable with the controls in the windrower cab.

**High** – Upper part of range

**Medium** – Middle of range

**Low** – Lower part of range

Header Size Meters (Feet)	Recommended Knife Speed Range (spm)	
	Single Knife	Double Knife
4.6 (15)	---	1500–1900
6.1 & 7.6 (20 & 25)	1200–1400	1400–1700
9.1 (30)	1200–1400	1200–1600
10.7 (35)	1150–1300	1200–1400
12.2 (40)	1150–1220	1200–1400

## Reel Speed <sup>4</sup>

Operate the reel at suggested percentage above ground speed.

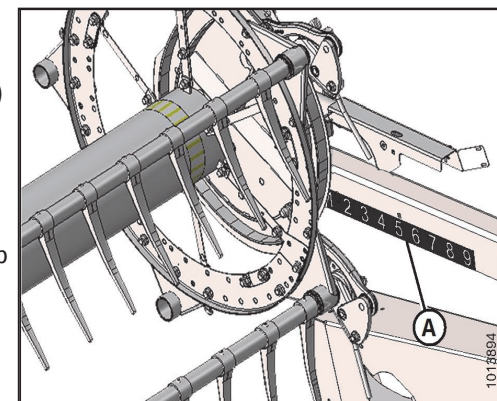
Reel speed is displayed on the CDM in mph, km/h, or rpm, and is adjustable with the controls in the windrower cab.

## Reel Fore-Aft <sup>5</sup>

Use back edge of reel cam disc and decal (A) on reel support arm as a gauge.

Adjust fore-aft position with fore-aft controls in windrower cab.

Standard or normal position in standing crop is setting 5.



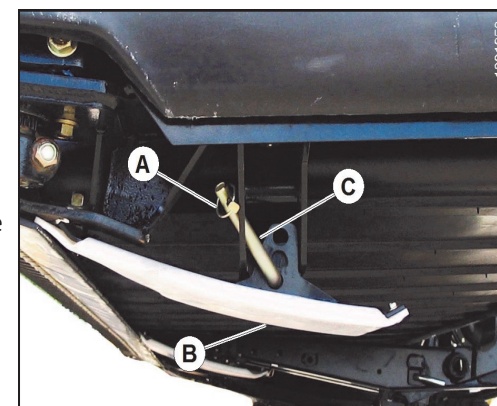
## Skid Shoes <sup>6</sup>

Remove lynch pin (A), disengage pin (C) from the frame, and move skid shoe (B) to desired position.

There are three hole positions: top, middle, and bottom.

**For a lower cutting level**, raise the skid shoe by installing pin (C) in the bottom hole.

**For a higher cutting level**, lower the skid shoe by installing pin (C) in the top hole.



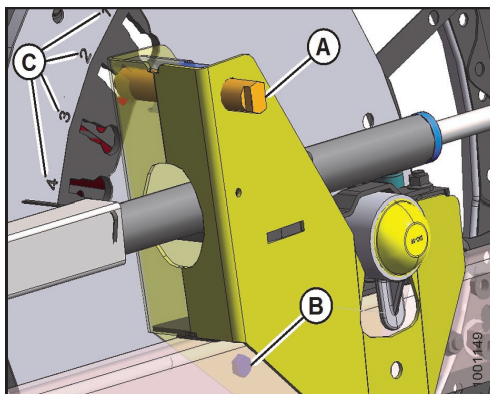
## Reel Tine Pitch <sup>3</sup>

Turn cam latch pin (A) to unlock cam disc.

Use wrench on bolt (B) until latch pin lines up with appropriate cam setting (C) between 1 and 4.

Increasing the cam setting keeps the fingers engaged longer to improve delivery to the drapers in downed crop.

Cam setting 2 is ideal for standing crop.



## Float <sup>7</sup>

The recommended float setting is 102–115 N (75–85 lbf). Rocky conditions or cutting at faster ground speeds may require a heavier float setting to prevent excess header movement. Refer to windrower operator's manual for adjusting procedures.

## Draper Speed

Draper speed is set based on ground speed, crop mass, volume, and windrow formation. Faster ground speed or heavier crops require increased draper speed to convey material. Slower ground speed or lighter crops require slower draper speed to ensure even crop flow. Refer to windrower operator's manual.

Recommended Settings Guide – Adjust to crop and field conditions as needed.

Crop Type	Stubble Height	Crop Condition	Divider Rods	Header Angle <sup>1</sup>	Knife Speed <sup>2</sup>	Reel Tine Pitch <sup>3</sup>	Reel Speed <sup>4</sup> %	Reel Fore-Aft <sup>5</sup>	Skid Shoe Position <sup>6</sup>	Stabilizer Wheels	Upper Cross Augers	Float <sup>7</sup>
Cereals	<102 mm (<4 in.)	Light	On	0-3	Medium	2	10-15	6 or 7	Up or Center	Variable	Not Required	311 N (70 lbf)
		Normal			High		10					
		Heavy		4-7	3	5-10	4 or 5					
		Lodged										
	102-203 mm (4-8 in.)	Light	On	0-3	Medium	2	10-15	6 or 7	Center or Down			
		Normal			High		10		Down			
		Heavy		4-7	3	5-10	4 or 5					
		Lodged										
	>203 mm (>8 in.)	Light	On	0-3	Medium	2	10-15	6 or 7	Not Applicable	Storage	Not Required	667 N (150 lbf)
Normal		High			10							
Heavy		4-7		3	5-10	4 or 5						
Lodged												
Canola	102-203 mm (4-8 in.)	Light	On	8-10	Low	2	5-10	6 or 7	Variable	Variable	Recommended	311-445 N (70-100 lbf)
		Normal			Medium	1	10		Center or Down			
		Heavy				2	5-10	3 or 4	Variable			
		Lodged										
	>203mm (>8 in.)	Light	On	8-10	Low	4	5-10	6 or 7	Not Applicable	Storage	Recommended	667 N (150 lbf)
		Normal			Medium	2	10					
		Heavy				3	5-10	3 or 4				
		Lodged										
Flax	51-153 mm (2-6 in.)	Light	On	4-7	High	2	5-10	6 or 7	Center or Down	Variable	Not Required	311-445 N (70-100 lbf)
		Normal		0-3								
		Heavy		4-7								
		Lodged		8-10								
Edible Beans	Ground level (0 in.)	Light	Off	8-10	Medium	2	5-10	3 or 4	Up or Center	Storage	Not Required	445 N (100 lbf)
		Normal										
		Heavy										
		Lodged										
Grass	Ground level (0 in.)	Light	On	Variable	High	2	10	6 or 7	Up or Center	Storage	Not Required	311-445 N (70-100 lbf)
		Normal										
		Heavy										
		Lodged					10-15					
Alfalfa	Ground level (0 in.)	Light	On	Variable	High	3	10	6 or 7	Up or Center	Storage	Not Required	311-445 N (70-100 lbf)
		Normal				2						
		Heavy				3	10-15					
		Lodged										

Subject to change without notice