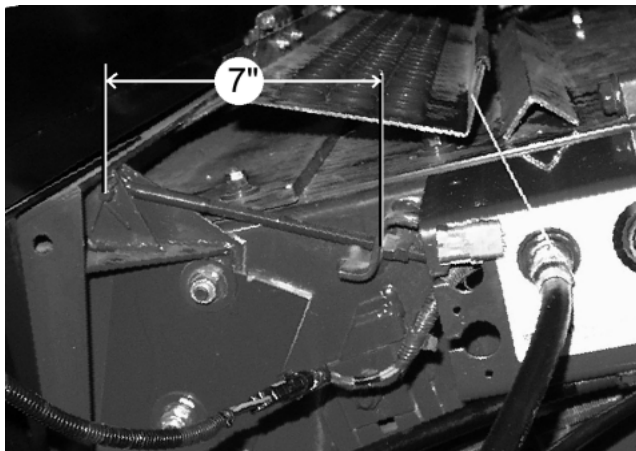
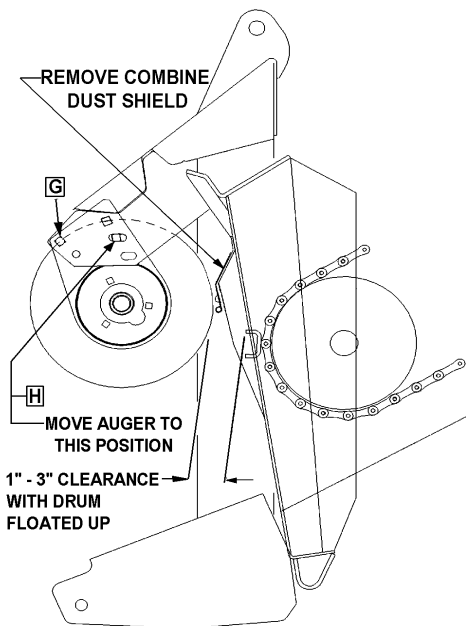


# QUICK REFERENCE CARD FOR CASE IH COMBINES

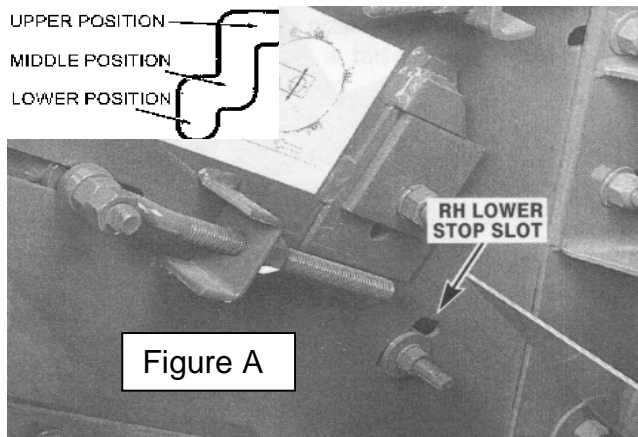
## Combine Preparations



- Adjust the feeder house faceplate so that the draw-bolts measure 7" (178 mm) as shown.



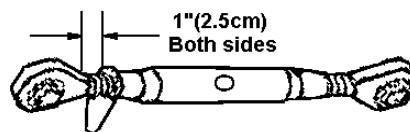
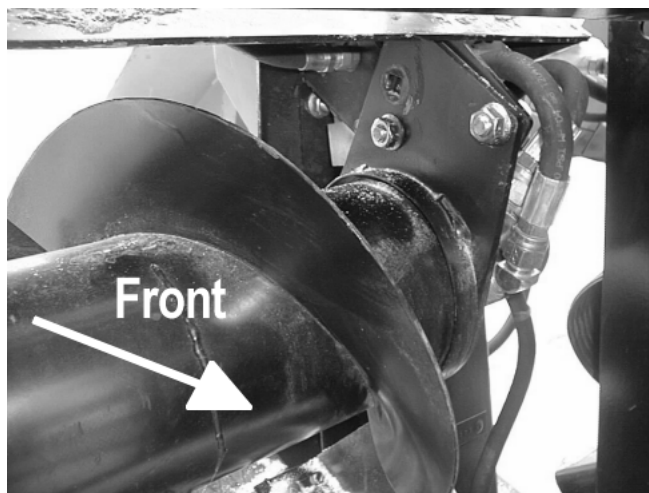
- Remove the feeder house dust shields.
- A clearance of 1" – 3" (25mm-76mm) is required between the feeder chain bars and the feed auger. Add links if necessary.



- Set the conveyer drum to the middle position to achieve a 1/8" (3mm) dimension from the bottom of the chain slay to the feeder house floor. (Figure A)
- Adjust stone retarder blocks to position recommended in Combine Operator's Manual. (Figure A)

## 871 Combine Adapter

- Move auger from shipping position to position shown.



- The mechanical center link between the headers and adapter should have 1" (2.5cm) of thread showing from each end.
- The float should be set to 70 – 100lbs at each crop divider. Use hook scale if necessary.
- The bolts that are used to lock out the float for shipping should now be used to fasten the adapter to the header. Pins with spring clips from the hardware package should be used to lock out the float (**during transport**).
- The flow control should be set to number "4".

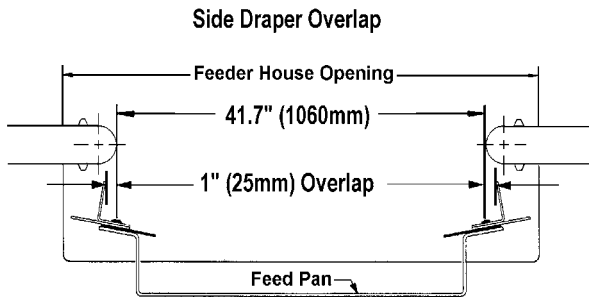


# QUICK REFERENCE CARD FOR CASE IH COMBINES

PLEASE REFER TO OPERATORS MANUAL FOR MORE DETAILS ON THE FOLLOWING:

## 962 and 1042 Harvest Header

- ❑ The center delivery opening for all Case combines should be set to **41.7" (1060mm)** (1060mm).



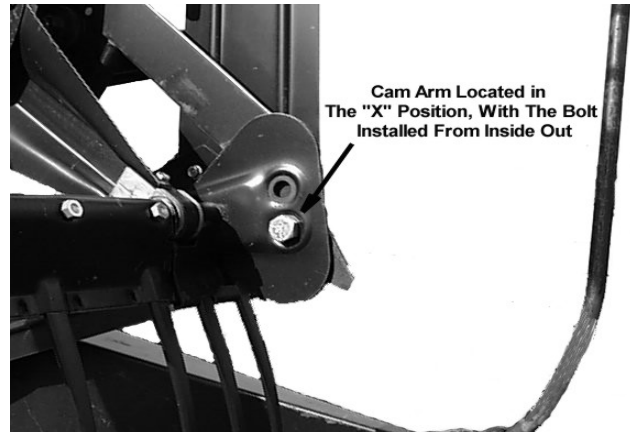
- ❑ Align the **rear** of the rear deflectors on the feed pan to the edge of the feeder house opening.
- ❑ The left deck is moveable to allow end delivery swathing. Make sure that the left deck is positioned so that the 1" (2.5cm) overlap requirement is met.
- ❑ Leave the draper seals in storage position. (Bolted on the back of right hand panel on 962 [1042]).



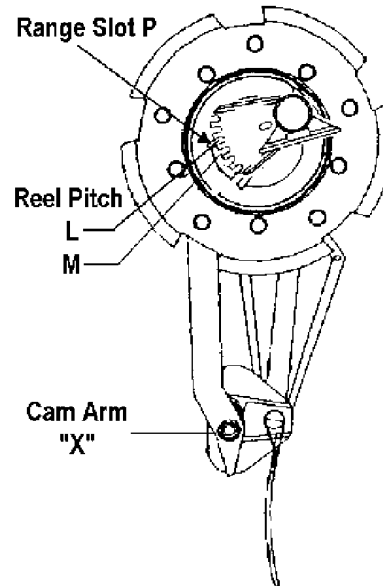
- ❑ For crop stubble 8" (210mm) or less, set gauge wheels/transport to low pressure (field position "2").

## 2000B Pick Up Reel

- ❑ The cam arm should be in the "X" position.
- ❑ The bolt going through the cam arm should be inserted from the inside, out. (Refer to picture on the top right hand column).



- ❑ The reel pitch should be in **L** or **M** and use range slot **P**. This adjustment is satisfactory for most crop conditions.



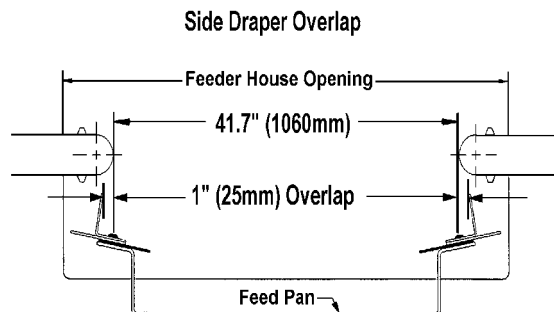
NOTE: Please refer to the back side of this card or the Op manual for further finger pitch adjustments.

- ❑ Set fore/aft position for the pick-up reel in the 5<sup>th</sup> hole, (bat reel 8<sup>th</sup> hole) from the front (crop end) of the reel arm.
- ❑ The clearance from the fingers to the cutterbar should be a minimum of 2" (5cm) for a 30' header, and 1-1/2" (4cm) for 36' headers.
- ❑ Recommended reel speed is 10% above ground speed.

# QUICK REFERENCE CARD FOR CASE IH COMBINES

## 972 and 1052 Harvest Header

- ❑ The center delivery opening for all Case combines should be set to **41.7" (1060mm)**.



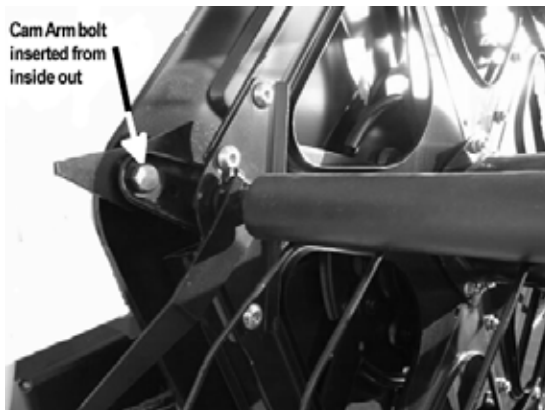
- ❑ Align the **rear** of the rear deflectors on the feed pan to the edge of the feeder house opening to ensure smooth crop flow.
- ❑ Both the 972,1052 decks are moveable to allow end delivery swathing. Make sure that both decks are positioned so that the 1" (2.5cm) overlap per side requirement is met.



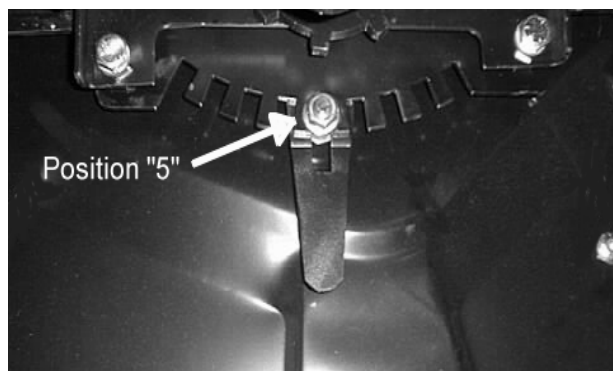
- ❑ Set gauge wheels/transport to "Middle" stubble height.

## 2100 6 Bat Pickup Reel

- ❑ The bolt going through the cam arm should be inserted from the inside out and torqued to 120 foot lbs. (245 Nm.)



- ❑ The finger pitch adjustment should be in position "5".



- ❑ The fore/aft adjustment should be in the 9<sup>th</sup> hole from the front (crop end) of the reel arms.
- ❑ Reel finger to sickle guard minimum clearance with reel fully lowered is 5/8" (15mm), **measured at both ends of the cutter bar.**
- ❑ Recommended reel speed is 10% above ground speed.

## Bat Reel

- ❑ Refer to the Op Manual

# QUICK REFERENCE CARD FOR CASE IH COMBINES

962/1042/871 Initial Set-up, for Average Cereal Crops	Field Peas		Edible Beans	
	Average Cereal Crops	Dry Conditions	Wet Condition	Dry Conditions
<b>Sickle</b> --Check daily that guards are aligned. Clearance from hold down to sickle 0.020" (0.05mm).	-	-	Stub guard kit is recommended.	Stub guard kit is recommended.
<b>2000B Reel Fore/ Aft</b> -5 <sup>th</sup> hole/frt. <b>Cam Arm</b> -X <b>Range Slot</b> - P <b>Finger Pitch</b> - L or M <b>Reel Clearance</b> - 2" (50mm) <b>Speed</b> - +10% of ground speed	2 <sup>nd</sup> from front Y Q M 2" (50mm) -	2 <sup>nd</sup> from front Y P J 2" (50mm) -	2 <sup>nd</sup> from front X P M 2" (50mm) -	2 <sup>nd</sup> from front X P M 2" (50mm) -
<b>Draper Speed</b> - Dial position "4". <b>Draper opening</b> - 41.7" (1060mm)	- -	- -	- -	- -
<b>Guard Angle</b> - 1.0" (25.4mm) of threads showing on center link. <b>Poly Skids</b> - None	- Yes	- Yes	Center link fully extended. Yes	Center link fully extended. Yes
<b>Gauge Wheels (if equipped)</b> - Most cereals require "position 2" stubble height setting	-	-	-	-
<b>Float</b> - Adjust float in the range of 70 - 100 lbs. at cutter bar end.	150 – 200 lbs.	70 – 100 lbs.	150 –200 lbs.	70 – 100 lbs.

972/1052/871 Initial Set-up, for Average Cereal Crops	Rice		Edible Beans	
	Average Cereal Crops	Normal Cutting	Tough Cutting	Dry Conditions
<b>Sickle</b> --Check daily that guards are aligned. Clearance from hold down to sickle .020" (.05mm)	-	-	Stub Guard Kit is recommended.	Stub Guard Kit is recommended.
<b>2100 reel Fore/Aft</b> - 9 <sup>th</sup> hole/front <b>Finger Pitch Adjustment</b> - Slot 5 <b>Reel Clearance</b> - 5/8" (15mm) <b>Speed</b> - +10 % ground speed.	8 <sup>th</sup> from front - - -	6 <sup>th</sup> from front - - -	6 <sup>th</sup> from front Slot 8 ½" (13mm) -	6 <sup>th</sup> from front Slot 8 ½" (13mm) -
<b>Draper Speed</b> - Dial position "4". <b>Draper opening</b> -41.7" (1060mm)	- 37" (940mm)	Position"3 or 4" 44" (1118mm)	- -	- -
<b>Guard Angle</b> - 1.0" (25mm) of threads showing on center link. <b>Polly Skids</b> - None	- Yes	- Yes	Center link fully extended. Yes	Center link fully extended. Yes
<b>Gauge Wheels (if equipped)</b> - Most cereals require "medium" stubble height setting	Not Applicable	Not Applicable	Short	Short
<b>Float</b> - Adjust float in the range of 70 – 100 lbs. at cutter bar end.	100 – 130lbs.	100 – 130 lbs.	150 – 200 lbs.	70 – 100 lbs.