

**Model 871/962/972
CASE DRAIN
INSTALLATION INSTRUCTIONS**

NOTE: This kit consists of enough parts to complete the case drain on the 871 adapter or 962/972 header, but not both products. If case drain is required on both products order two kits.

871 COMBINE ADAPTER: Serial #134349 and earlier.

1. Install 90° elbow (A) in case drain port of motor, as shown in figure 1. Attach case drain hose (C) from kit (hose end not exactly as shown) to elbow and route with feed draper drive hoses. Use cable ties to secure case drain hose to draper drive hoses and route up to combine adapter valve block.

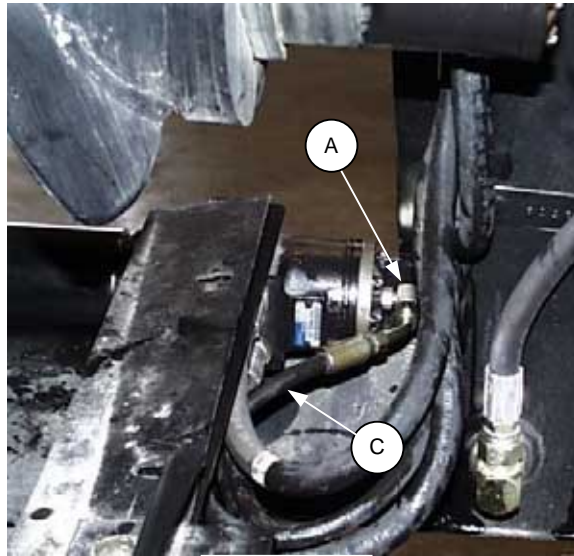


FIGURE 1

2. Remove 1/4" hose (H) from elbow (D) at port "D" on the combine adapter valve block (E). Install 3/16" tee (F) supplied with kit to elbow (D), as shown in figure 2.

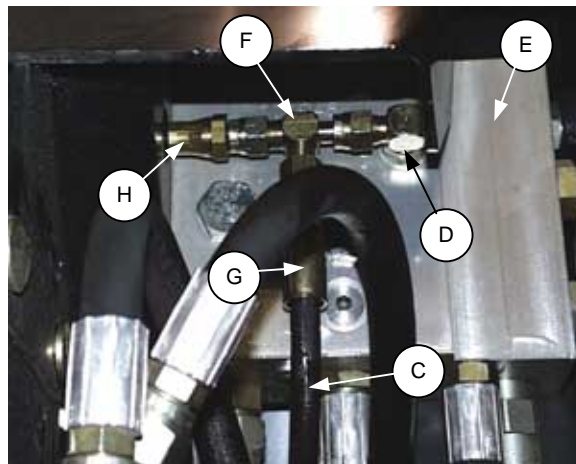


FIGURE 2

3. Cut case drain hose (C) to correct length and install reusable hose end (G) onto hose (C). Attach hose (C) to open port of tee, which should be facing down. Attach hose (H) (removed in step 2) to open port on tee (F) and tighten all fittings.

Model 871/962/972 CASE DRAIN INSTALLATION INSTRUCTIONS

962/972 HARVEST HEADERS:

1. Install 90° elbow in case drain port of motor, as shown in figure 3. Attach case drain hose to elbow and route with draper drive hoses. Use cable ties to secure case drain hose to draper drive hoses.

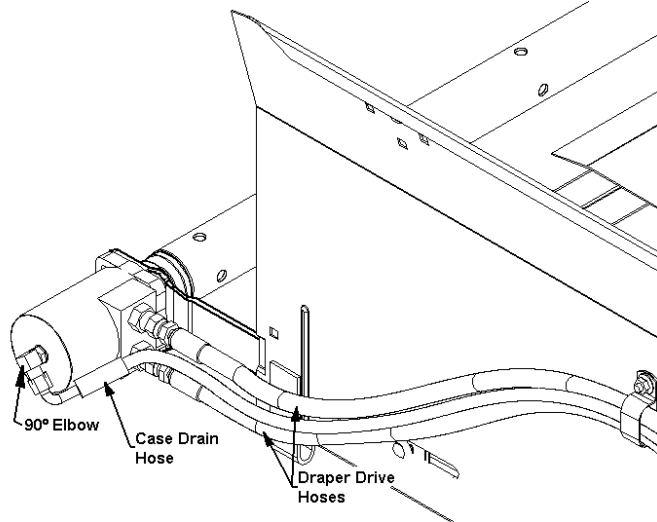
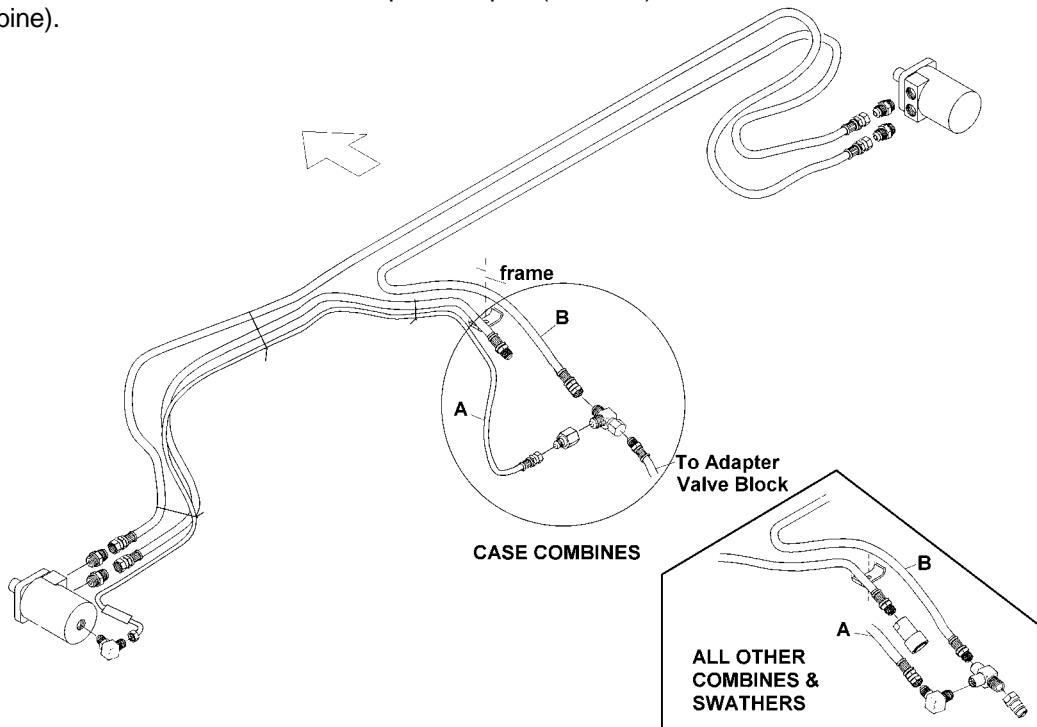


FIGURE 3

2. Plumb case drain hose (A) into return hose (B) from R/H draper drive motor as shown. The return hose (B) is the 1/2" hose that has the male quick coupler (Swather) or the female swivel JIC hose end (Case combine).



3. After case drain hose (A) has been routed and secured properly, cut to proper length. Attach reusable hose end and connect to tee. Figure 4 shows two different applications.

NOTE: 972 Hydraulic Deck Shift Headers: be sure that hose does not bind during deck shift procedure.