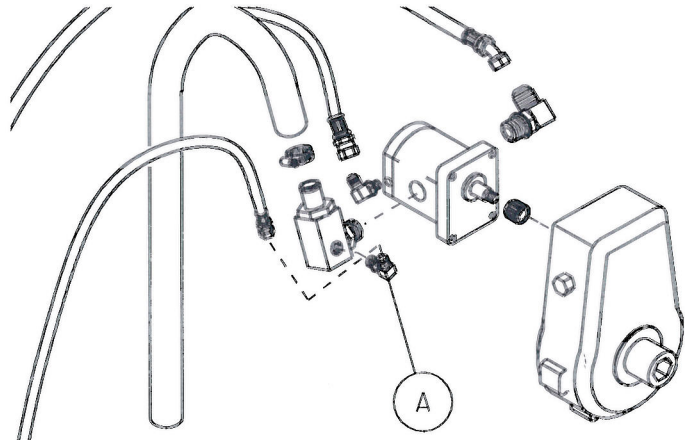


971 Combine Adapter FLOW CONTROL REPAIR INSTRUCTIONS

This flow control valve has been revised from the original equipment on your adapter.

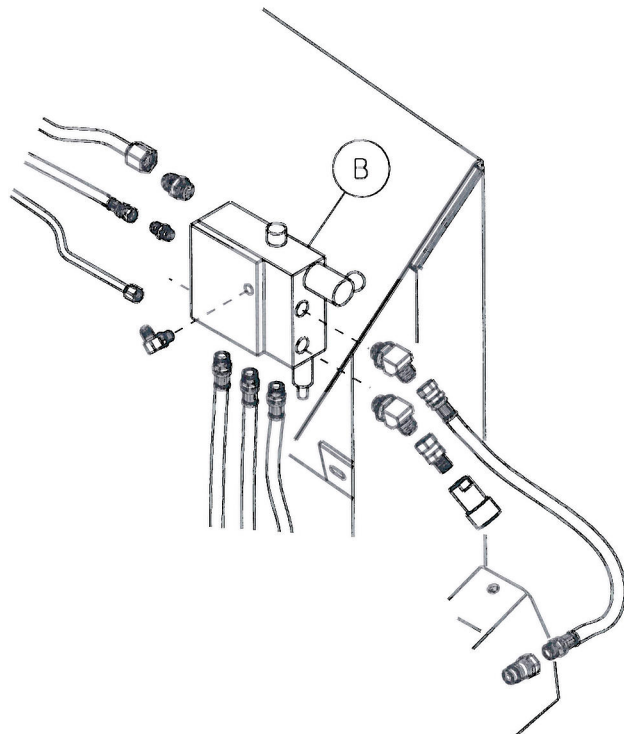
For adapters with Serial Number 115999 and below:

1. Replace elbow (A), installed in large elbow at pump on right side of adapter, with the elbow supplied in this kit.



REPLACE ELBOW AT PUMP

2. Replace flow control valve (B), located at left side of adapter with the flow control valve supplied with this kit.



REPLACE FLOW CONTROL VALVE