

D1 Series Draper Header / FM100 Float Module Quick Card

IMPORTANT:

Read your operator's manual and complete all the setup tasks before setting the header float.

Step 1: Preadjustments Complete before adjusting float.

1. Park combine on a level surface, and ensure the combine feeder house is level.
2. Ensure combine tires are inflated equally.
3. Adjust header so cutterbar is 154–254 mm (6–10 in.) off the ground.
4. Set guard angle to mid-position (A) (between B and C on the indicator).
5. Set the reel fore-aft to mid-position (5 or 6 on reel arm decal).
6. Lower the reel completely and shut down the combine.
7. Place both header float locks in unlocked (lowered) position (B) (right side float lock shown).
8. Set stabilizer/transport wheels (if equipped) to the fully raised position.

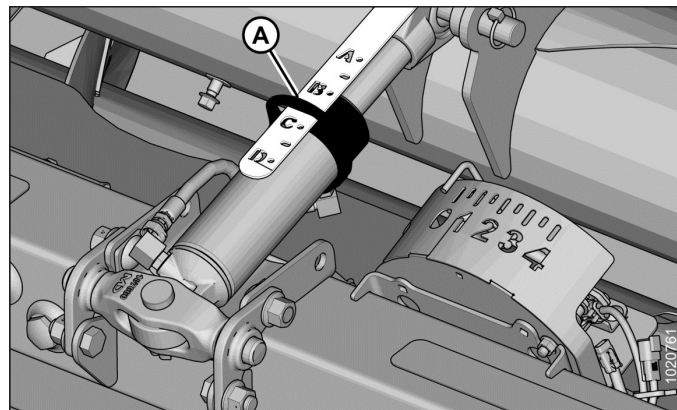


Figure 1: Center-Link

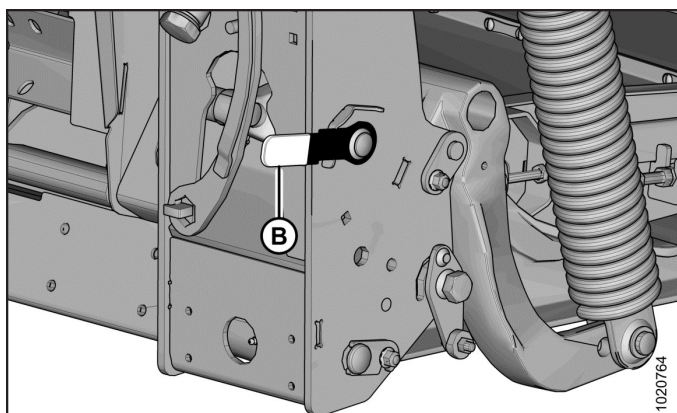


Figure 2: Float Unlocked – Right Side

Step 2: Checking Header Float

1. Remove the supplied torque wrench (C) from the storage position on the right side of the FM100 Float Module.
2. Place the torque wrench onto the float lock (D). Note the change in orientation of the wrench between the left and right side.
3. Push down on torque wrench until bell crank (E) rotates forward.
4. Continue pushing down until indicator (F) on wrench reaches MAXIMUM reading and begins to decrease. Note the maximum reading.
5. Repeat above steps for opposite side.
6. Ensure the readings match the values in Table 1.1: Float Settings.

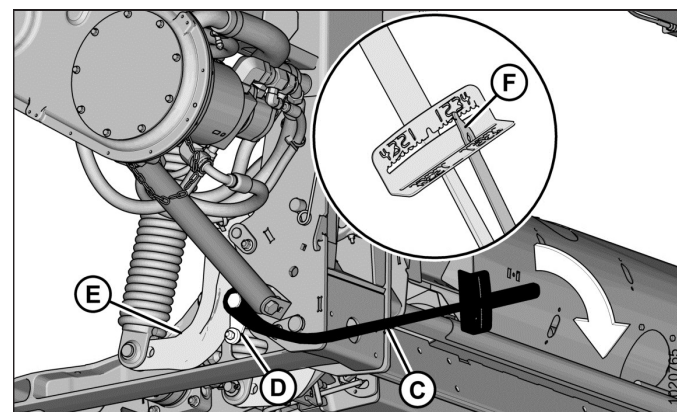


Figure 3: Checking Float – Left Side

Table 1.1: Float Settings

Header Size (ft.)	Torque Settings	
	Cutting on the Ground	Cutting off the Ground
20, 25, 30 and 35	1-1/2 to 2	2 to 2-1/2
40 and 45	2 to 2-1/2	2-1/2 to 3

IMPORTANT:

The torque settings in Table 1.1: Float Settings are recommended header float settings. It may be necessary to set float values outside of these ranges to accommodate varying crop and field conditions.

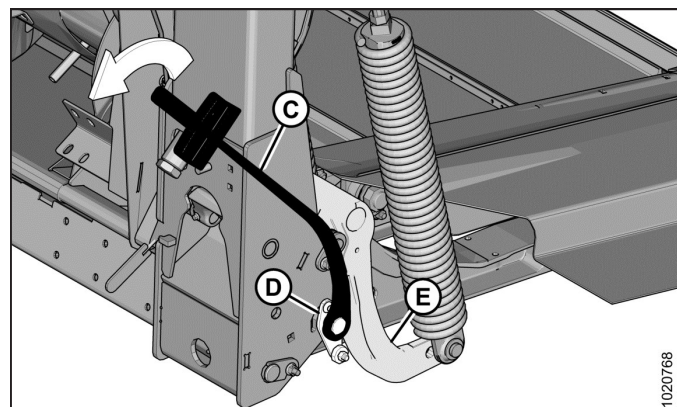


Figure 4: Checking Float – Right Side

Step 3: Setting Header Float

1. Refer to Table 1.1: Float Settings for recommended initial float setting:
If reading on wrench is high, header is heavy. Increase float.
If reading on wrench is low, header is light. Decrease float.
2. Adjust the header float to match values in Table 1.1: Float Settings. Turn each bolt pair equal amounts. Before adjusting float, rotate the spring locks (A) by loosening bolts (B).

Increase float (decrease header weight) by turning float adjustment bolts clockwise.

Decrease float (increase header weight) by turning float adjustment bolts counterclockwise.

IMPORTANT:

Ensure torque wrench reading is **EQUAL ON BOTH SIDES**.

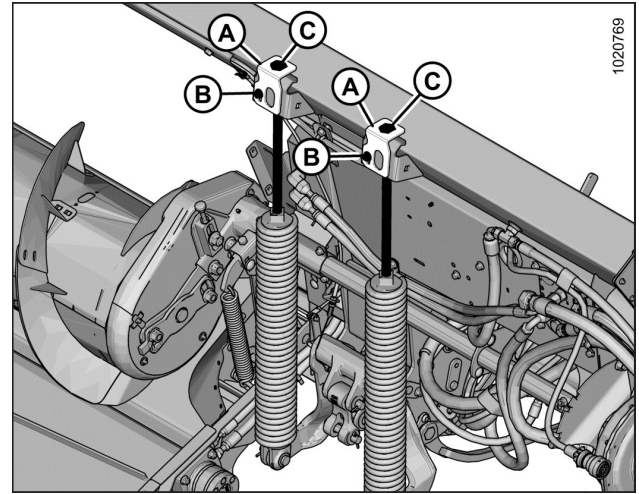


Figure 5: Float Adjustment Bolts – Left Side

Recommended Fluids and Lubricants

Lubricant	Specification	Description	Use	Capacities
Grease	SAE multi-purpose	High temperature extreme pressure (EP) performance with 1% max Molybdenum Disulphide (NLGI Grade 2) lithium base	As required unless otherwise specified	—
		High temperature extreme pressure (EP) performance with 10% max Molybdenum Disulphide (NLGI Grade 2) lithium base	Driveline slip-joints	—
Gear Lubricant	SAE 85W-140	API service class GL-5	Knife drive box	2.2 liters (2.3 quarts)
			Main drive gearbox	2.5 liters (2.6 quarts)
Hydraulic Oil	Single grade trans-hydraulic oil Recommended brands: <ul style="list-style-type: none"> • Petro-Canada Duratran • John Deere Hy-Gard J20C • Case Hy-Tran Ultraction • AGCO Power Fluid 821 XL 	Lubricant trans / hydraulic oil	Header drive systems reservoir	75 liters (20 US gallons)

Break-In Inspections

Time	Item
First 5 Minutes	Check hydraulic oil level in reservoir (check after first run-up and after the hydraulic hoses have filled with oil).
5 Hours	Check for loose hardware and tighten to required torque.
	Check knife drive belts tension (check periodically for the first 50 hours).
10 Hours	Check auger drive chain tension. Check knife drive box mounting bolts.
50 Hours	Change float module gearbox oil.
	Change float module hydraulic oil filter.
	Change knife drive box lubricant.
	Check gearbox chain tension. Check deck height adjustment.

Ongoing Maintenance Intervals

Time	Service
Every 10 hours or daily	Check hydraulic hoses and lines for leaks. Check knife sections, guards, and hold-downs. Check tire pressure. Grease knife (except in sandy conditions).
Every 25 hours	Check hydraulic oil level. Grease knifeheads.
Every 50 hours	Grease draper roller bearings. Grease driveline and driveline universals. Grease upper cross auger center support and U-joint. Change knife drive box lubricant.
NOTE: Refer to D1 Series / FM100 Operator's Manual for service beyond 50 hours.	