

D65 Harvest Header® with CA25 Adapter Quick Card

SETTING HEADER FLOAT

IMPORTANT

Be sure to have read your Operator's Manual, and complete all setup tasks before setting Header Float.

STEP 1: PRE-ADJUSTMENTS

Complete these 7 steps before adjusting Header Float.

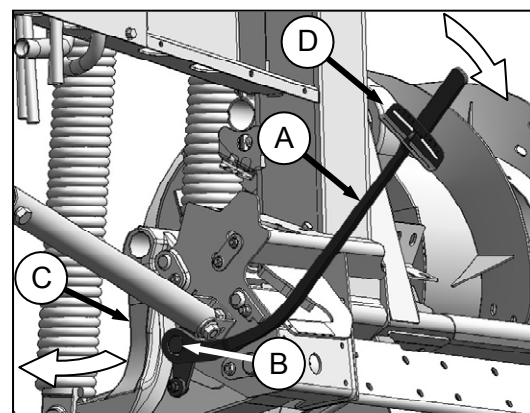
1. Park combine on a level surface. Ensure that combine feederhouse is level.
2. Set header angle to mid-position (between B and C on the indicator).
3. Set the reel fore-aft to mid-position (5 or 6 on the reel arm indicator).
4. Lower reel completely.
5. Raise header so cutterbar is 6–10 inches (150–250 mm) above ground. Shut down the combine.
6. If equipped, set stabilizer/transport wheels to the fully raised position.
7. Place header float locks in unlocked (lowered) position.

TABLE 1

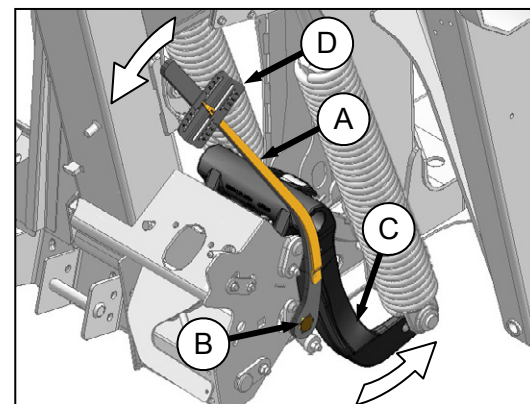
HEADER SIZE (FT)	TORQUE SETTINGS	
	CUTTING ON THE GROUND	CUTTING OFF THE GROUND
20, 25, 30 and 35 ft.	1-1/2 to 2	2 to 2-1/2
40 and 45 ft.	2 to 2-1/2	2-1/2 to 3

STEP 2: SET HEADER FLOAT

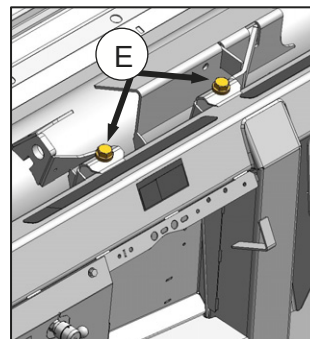
1. Remove the special torque wrench (A) from storage position on RH side of the CA25 combine adapter.
2. Place torque wrench (A) on the float lock at (B).
3. Push down on torque wrench (A) until bell crank (C) rotates forward.
4. Continue pushing down until indicator (D) on wrench reaches a MAXIMUM reading and begins to decrease. Note the maximum reading.
5. Refer to TABLE 1 for recommended initial float setting:
 - If reading on wrench is high, header is heavy, and the float needs to be increased.
 - If reading on wrench is low, header is light, and the float needs to be decreased.
6. Adjust header float to match values in TABLE 1. Turn each bolt pair equal amounts.
 - To **increase float** (decrease header weight), tighten float spring bolts (E) and (F) (turn clockwise).
 - To **decrease float** (increase header weight), loosen float spring bolts (E) and (F) (turn counterclockwise).
 - **Ensure wrench reading is equal on both sides.**



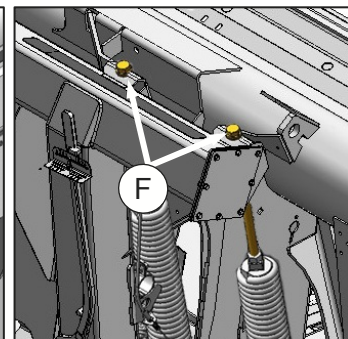
LEFT SIDE



RIGHT SIDE



LEFT SIDE



RIGHT SIDE

D65/CA25 Combine Header Recommended Settings

Crop Type	Stubble Height (in.)	Crop Condition	Divider Rods	Draper Speed Setting (Note 7)	Header Angle (Notes 1 and 4)	Knife Speed Setting (Note 2)	Reel Cam Setting	Reel Speed % (Note 3)	Reel Position	Skid Shoe Position (Note 4)	Stabilizer Wheel (Notes 4 and 5)	Upper Cross Auger	Notes	
Cereals	0	Light	Off	8	B - C	600-650	3	10-15	6 or 7	Up or Center	Storage	Not Required	<p>Note 1: Set header angle as shallow as possible (setting A) with center-link and skid shoes while maintaining cutting height.</p> <p>Note 2: Minimum knife drive pulley rpm. Applicable only to single-knife headers.</p> <p>Note 3: Percentage above ground speed.</p> <p>Note 4: Cutting height is controlled with a combination of skid shoes and header angle.</p> <p>Note 5: Stabilizer wheels are used to limit the side to side movement when cutting off the ground in rolling terrain, and to minimize bouncing.</p> <p>Note 6: Available through your Dealer Parts Department. Whisker divider not required on both ends of header.</p> <p>Note 7: Setting on CA25 draper control.</p>	
		Normal	On	7		550-600	2	10				Recommended		
		Heavy	On	7		550-600	2	10				Recommended		
		Lodged	Off	7		525-600	3 or 4	5-10				4 or 5		Not Required
	4-8	Light	Off	8	B - C	600-650	4	10-15	6 or 7	Center or Down	Note 5	Not Required		
		Normal	On	7	A	550-600	2	10				Recommended		
		Heavy	On	7	A	550-600	2	10				Recommended		
		Lodged	Off	7	D	525-600	3 or 4	5-10				4 or 5		Down
	10 +	Light	Off	8	A	600-650	4	10-15	6 or 7	Not Applicable	Note 5	Not Required		
		Normal	On	7		550-600	2	10						
		Heavy	On	7	B - C	550-600	2	10						
		Lodged	Off	7	525-600	3 or 4	5-10	4 or 5						
Canola	4-8	Light	On	7	A	600-650	2	5-10	6 or 7	Down	Note 5	Recommended		
		Normal			B - C	550-600	1	10					Center or Down	
		Heavy			D	525-600	2	5-10						3 or 4
		Lodged			D	525-600	2	5-10					3 or 4	
	10 +	Light	On	7	A	600-650	2	5-10	6 or 7	Not Applicable	Note 5	Recommended		
		Normal			B - C	550-600		1 or 2					10	
		Heavy			D	525-600	2 or 3						5-10	3 or 4
		Lodged			D	525-600		2 or 3					5-10	
California Rice	0	Light	Whisker (Note 6)	4	D	600-650	2	10-15	6 or 7	Up or Center	Storage	Not Required		
		Normal			B - C	550-600		10					4 or 5	
		Heavy			D	525-600		5-10						
		Lodged			D	525-600		4					5-10	
	4-8	Light	Whisker (Note 5)	4	D	600-650	3	10-15	6 or 7	Center or Down	Note 5	Not Required		
		Normal			B - C	550-600		10						
		Heavy			D	525-600		4					5-10	
		Lodged			D	525-600		4					5-10	
	10 +	Light	Whisker (Note 5)	4	A	600-650	3	10-15	6 or 7	Not Applicable	Note 5	Not Required		
		Normal			B - C	550-600		10						
		Heavy			D	525-600		4					5-10	
		Lodged			D	525-600		4					5-10	
Delta Rice	2-6	Light	Off	6	D	600-650	2 or 3	10-15	6 or 7	Center or Down	Note 5	Not Required		
		Normal			B - C	550-600		10						
		Heavy			D	525-600		3 or 4					5-10	4 or 5
		Lodged			D	525-600		3 or 4					5-10	
	8 +	Light	Off	6	A	600-650	2 or 3	10-15	6 or 7	Not Applicable	Note 5	Not Required		
		Normal			B - C	550-600		10						
		Heavy			D	525-600		3 or 4					5-10	4 or 5
		Lodged			D	525-600		3 or 4					5-10	
Soybeans	0	Light	On	8	D	600-650	2	5-10	6 or 7	Up or Center	Storage	Not Required		
		Normal		7	B - C	550-600		10						
		Heavy		7	B - C	550-600		10						
		Lodged		7	D	525-600		5-10						
Flax	2-6	Light	On	8	B - C	600-650	2	5-10	6 or 7	Center or Down	Note 5	Not Required		
		Normal		7	A			10						
		Heavy		7	B - C			10						
		Lodged		7	D			5-10					Down	
Peas	0	Light	On	7	B - C	600-650	2	5-10	6 or 7	Up or Center	Storage	Recommended		
		Normal				550-600		10						
		Heavy			D	525-600		5-10					4 or 5	
		Lodged												
Lentils	0	Light	On	8	B - C	600-650	2	5-10	6 or 7	Up or Center	Storage	Not Required		
		Normal		7		550-600		10						
		Heavy		7		550-600		10						
		Lodged		7		D		525-600					5-10	