

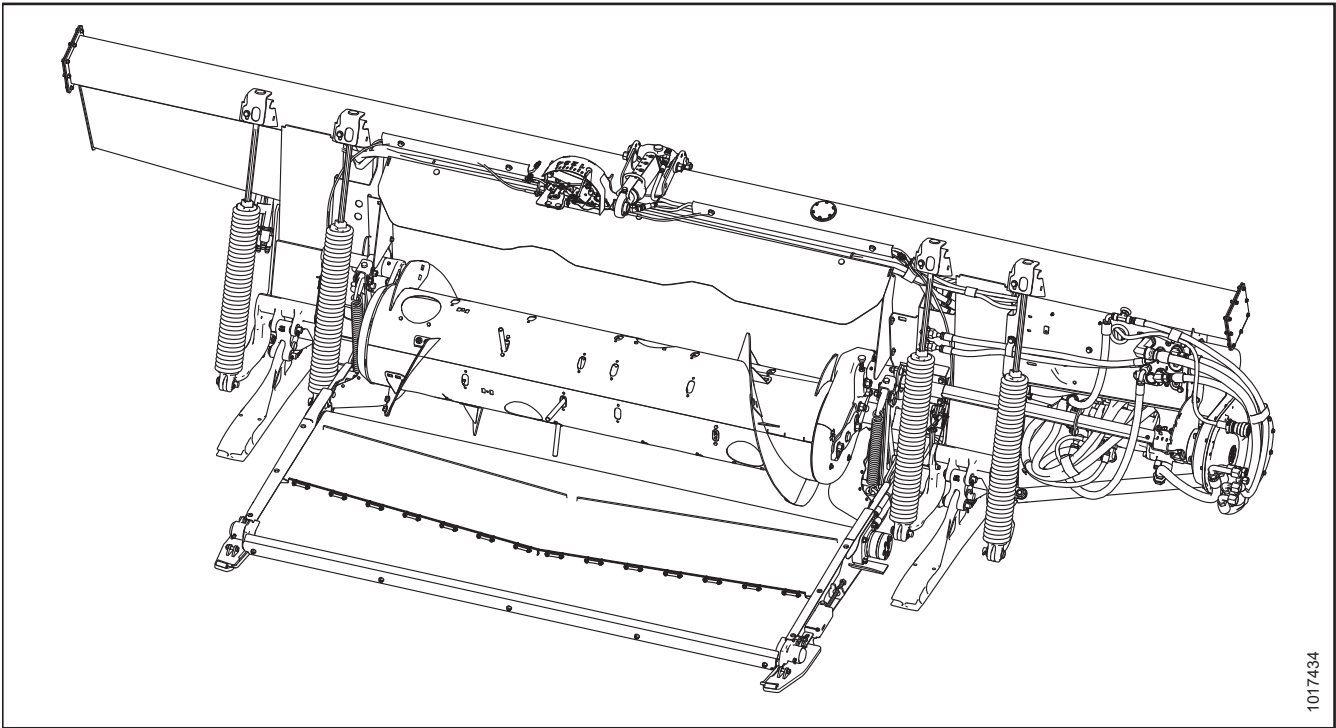
FM100 Float Module

Generic Feed Auger Completion Kits (MD #308871, 335244,
and 335245) Installation Instructions

147892 Revision F

Original Instruction

FM100 Float Module



1017434

Published in June 2020

© 2020 MacDon Industries, Ltd.

The information in this publication is based on the information available and in effect at the time of printing. MacDon Industries, Ltd. makes no representation or warranty of any kind, whether expressed or implied, with respect to the information in this publication. MacDon Industries, Ltd. reserves the right to make changes at any time without notice.

Introduction

This document explains how to install kits to complete a generic auger (that is, an auger not configured for any particular combine model) on an FM100 Float Module. A list of parts included in the kit is provided in Chapter 2 *Parts List, page 5*.

Installation Time

This kit will take approximately 2 hours to install.

Conventions

The following conventions are used in this document:

- Right and left are determined from the operator's position. The front of the header is the side that faces the crop; the back of the header is the side that connects to the combine.
- Unless otherwise noted, use the standard torque values provided in the header operator's manual and technical manual.

NOTE:

Keep your MacDon publications up-to-date. The most current version of this instruction can be downloaded from our Dealer-only site <https://portal.macdon.com> (login required).

NOTE:

This document is available in English only.

Summary of Changes

At MacDon, we're continuously making improvements, and occasionally these improvements affect product documentation. The following list provides an account of major changes from the previous version of this document.

Section	Summary of Change	Internal Use Only
Throughout	<ul style="list-style-type: none"> Replaced kit MD #308870 with kit MD #335244. MD #308870 is no longer available for sale. Replaced kit MD #308872 with kit MD #335245. MD #308872 is no longer available for sale. 	ECN 59724
Inside front cover	Inserted copyright and disclaimer statements.	Tech Pubs
<i>1.1 Signal Words, page 1</i>	Added explanations of IMPORTANT and NOTE.	Tech Pubs
<i>2 Parts List, page 5</i>	Replaced auger assembly MD #308869 with auger assembly MD #304974.	ECN 59123
<i>2 Parts List, page 5</i>	Replaced cover MD #248291 with cover MD #304494.	ECN 58279
<i>2 Parts List, page 5</i>	<ul style="list-style-type: none"> Replaced guide MD #187081 with guide MD #337143. Replaced bag of 5 hollow fingers with a solid finger assembly. 	ECN 59724
<i>3.2 Feed Auger Configuration, page 11</i>	Revised the auger configurations recommended for each combine.	ECN 59301
<i>3.4.1 Installing Kit MD #308871 – for Narrow Configuration, page 15</i>	<ul style="list-style-type: none"> Updated torque values. Added notes about sealing gaps. 	Tech Pubs
Installing Kit MD #308870 (For Medium Configuration)	Deleted procedure. Kit MD #308870 is no longer available for sale.	ECN 59724
<i>3.4.2 Installing Kit MD #335244 – for Medium Configuration, page 15</i>	Added procedure. Kit MD #335244 replaces kit MD #308870.	ECN 59724
<i>3.4.2 Installing Kit MD #335244 – for Medium Configuration, page 15</i>	Updated procedure to reflect installation of magnetic reverser shield.	ECN 59123
Installing Kit MD #308872 (For Wide Configuration)	Deleted procedure. Kit MD #308872 is no longer available for sale.	ECN 59724
<i>3.4.3 Installing Kit MD #335245 – for Wide Configuration, page 18</i>	Added procedure. Kit MD #335245 replaces kit MD #308872.	ECN 59724
<i>3.4.3 Installing Kit MD #335245 – for Wide Configuration, page 18</i>	Updated procedure to reflect installation of magnetic reverser shield.	ECN 59123
<i>3.5 Installing Feed Auger Guides, Fingers, and Plugs, page 20</i>	<ul style="list-style-type: none"> Replaced guide MD #187081 with guide MD #337143. Updated procedure and illustrations to describe solid auger fingers instead of hollow auger fingers. 	ECN 59724

TABLE OF CONTENTS

Introduction i

Summary of Changes..... ii

Chapter 1: Safety 1

 1.1 Signal Words 1

 1.2 General Safety 2

Chapter 2: Parts List..... 5

Chapter 3: Installation Instructions 9

 3.1 Installing Bumpers 9

 3.2 Feed Auger Configuration 11

 3.3 Removing Feed Auger Access Cover(s) 14

 3.4 Installing Flightings 15

 3.4.1 Installing Kit MD #308871 – for Narrow Configuration 15

 3.4.2 Installing Kit MD #335244 – for Medium Configuration..... 15

 3.4.3 Installing Kit MD #335245 – for Wide Configuration 18

 3.5 Installing Feed Auger Guides, Fingers, and Plugs 20

 3.6 Installing Feed Auger Access Cover(s)..... 22

Chapter 1: Safety

1.1 Signal Words

Three signal words, **DANGER**, **WARNING**, and **CAUTION**, are used to alert you to hazardous situations. Two signal words, **IMPORTANT** and **NOTE**, identify non-safety related information. Signal words are selected using the following guidelines:

DANGER

Indicates an imminently hazardous situation that, if not avoided, will result in death or serious injury.

WARNING

Indicates a potentially hazardous situation that, if not avoided, could result in death or serious injury. It may also be used to alert against unsafe practices.

CAUTION

Indicates a potentially hazardous situation that, if not avoided, may result in minor or moderate injury. It may be used to alert against unsafe practices.

IMPORTANT:

Indicates a situation that, if not avoided, could result in a malfunction or damage to the machine.

NOTE:

Provides additional information or advice.

1.2 General Safety

CAUTION

The following general farm safety precautions should be part of your operating procedure for all types of machinery.

Protect yourself when assembling, operating, and servicing machinery, wear all protective clothing and personal safety devices that could be necessary for the job at hand. Do **NOT** take chances. You may need the following:

- Hard hat
- Protective footwear with slip-resistant soles
- Protective glasses or goggles
- Heavy gloves
- Wet weather gear
- Respirator or filter mask

In addition, take the following precautions:

- Be aware that exposure to loud noises can cause hearing impairment or loss. Wear suitable hearing protection devices such as earmuffs or earplugs to help protect against loud noises.



Figure 1.1: Safety Equipment



Figure 1.2: Safety Equipment

- Provide a first aid kit in case of emergencies.
- Keep a properly maintained fire extinguisher on the machine. Be familiar with its proper use.
- Keep young children away from machinery at all times.
- Be aware that accidents often happen when the Operator is tired or in a hurry. Take time to consider safest way. **NEVER** ignore warning signs of fatigue.

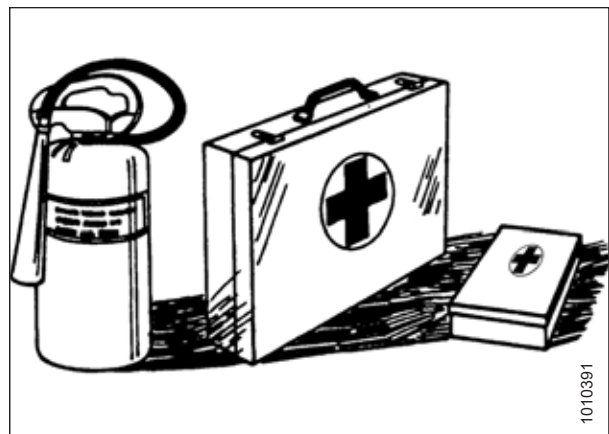


Figure 1.3: Safety Equipment

SAFETY

- Wear close-fitting clothing and cover long hair. **NEVER** wear dangling items such as scarves or bracelets.
- Keep all shields in place. **NEVER** alter or remove safety equipment. Make sure driveline guards can rotate independently of shaft and can telescope freely.
- Use only service and repair parts made or approved by equipment manufacturer. Substituted parts may not meet strength, design, or safety requirements.



Figure 1.4: Safety around Equipment

- Keep hands, feet, clothing, and hair away from moving parts. **NEVER** attempt to clear obstructions or objects from a machine while the engine is running.
- Do **NOT** modify the machine. Unauthorized modifications may impair machine function and/or safety. It may also shorten the machine's life.
- To avoid injury or death from unexpected startup of the machine, **ALWAYS** stop the engine and remove the key from the ignition before leaving the operator's seat for any reason.

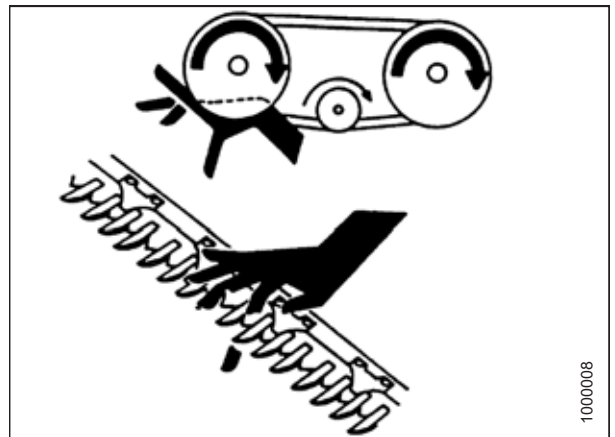


Figure 1.5: Safety around Equipment

- Keep service area clean and dry. Wet and/or oily floors are slippery. Wet spots can be dangerous when working with electrical equipment. Be sure all electrical outlets and tools are properly grounded.
- Keep work area well lit.
- Keep machinery clean. Straw and chaff on a hot engine are fire hazards. Do **NOT** allow oil or grease to accumulate on service platforms, ladders, or controls. Clean machines before storage.
- **NEVER** use gasoline, naphtha, or any volatile material for cleaning purposes. These materials may be toxic and/or flammable.
- When storing machinery, cover sharp or extending components to prevent injury from accidental contact.

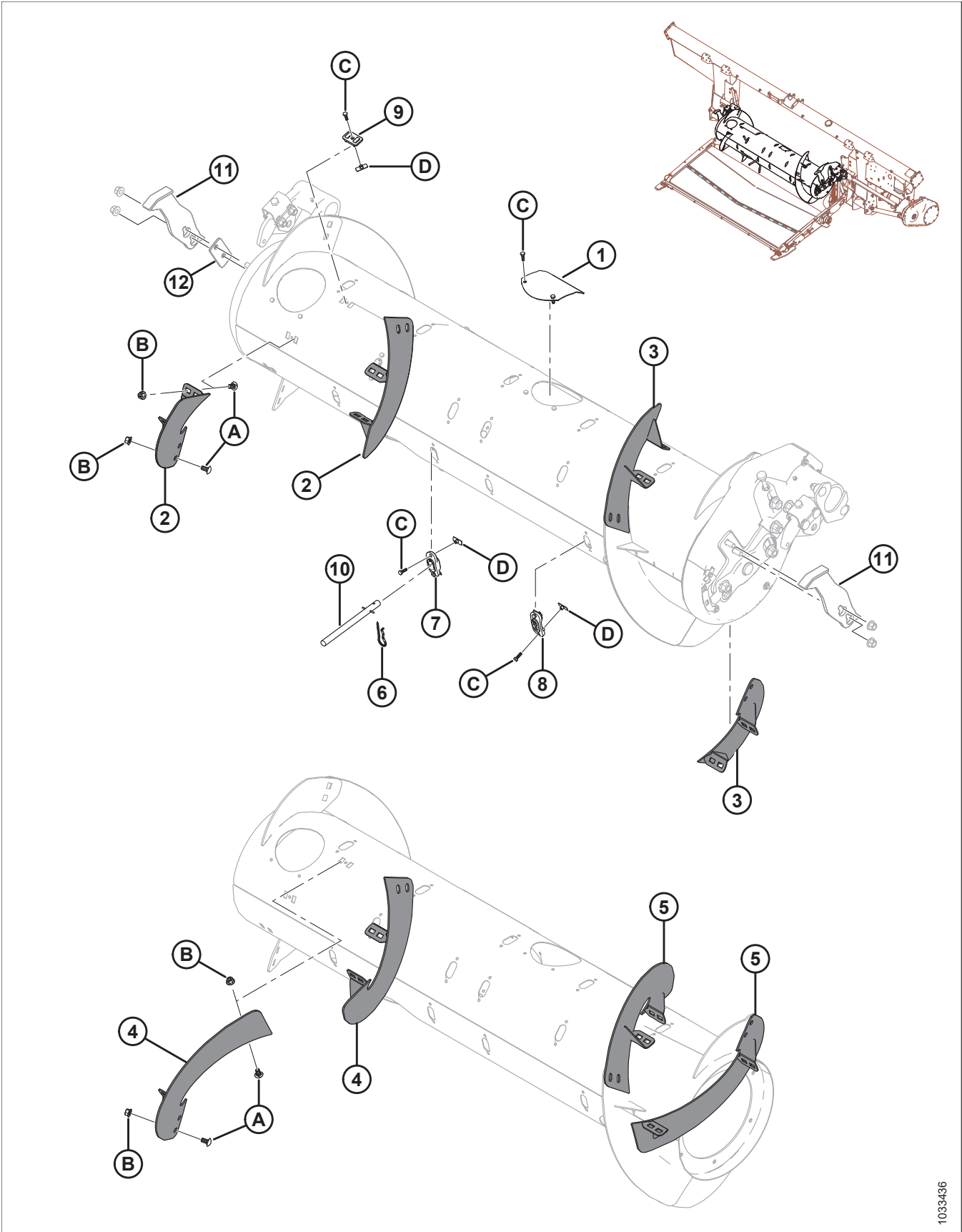


Figure 1.6: Safety around Equipment

Chapter 2: Parts List

The following parts are included in the auger completion kits:

PARTS LIST



1033436

Figure 2.1: Parts Included in Auger Completion Kits

PARTS LIST

NOTE:

Auger drive assembly (MD #304974) is a base configuration **ONLY** and contains parts common to Medium, Wide, and Narrow configurations. When ordering auger drive assembly (MD #304974), one completion kit (MD #335244, 308871, or 335245) must be ordered to complete the base auger assembly. To replace the entire auger assembly for your specific combine, refer to *3.2 Feed Auger Configuration, page 11* to determine which combination of base auger drive assembly (MD #304974) and completion kits (MD #335244, 308871, or 335245) is required.

Ref	Part Number	Description	Quantity		
			335244	335245	308871
	304974	AUGER DRIVE ASSEMBLY (BASE ONLY) ¹			
			335244	335245	308871
	335244	KIT – COMPLETION, STANDARD AUGER ²	1	—	—
	335245	KIT – COMPLETION, WIDE AUGER ²	—	1	—
	308871	KIT – COMPLETION, NARROW AUGER ²	—	—	1
1	304494	COVER	6	6	6
2	287887	FLIGHTING – RTD, RH, MED HIWEAR	2	2	—
3	287888	FLIGHTING – RTD, LH, MED HIWEAR	2	2	—
4	287890	FLIGHTING – RTD, RH, LONG HIWEAR	—	—	2
5	287889	FLIGHTING – RTD, LH, LONG HIWEAR	—	—	2
6	123180	PIN – HAIR	4	12	—
7	337143	GUIDE	4	12	
8	187137	PLUG	8	—	12
9	213084	PLUG – FLIGHTING SLOT	4	8	4
	NSS ³	FINGER, ASSEMBLY	4	12	
11	301912	BUMPER – FM100	2	2	2
12	308056	PLATE – SPACER	1	1	1
A	136178	BOLT – RHSN M10 X 1.5 X 20-8.8-A3L	24	12	24
B	135799	NUT – HEX FLG CTR LOC M10 X 1.5-10-A3L	24	12	24
C	252703	BOLT – HEX HD TFL M6 X 1 X 20 X SPCL-12.9-AA2L	28	32	28
D	197263	NUT – TEE M6 X 1	28	32	28

NOTE:

For combines where completion kit (MD #335245) is available as an option, completion kit (MD #335244) is recommended for most crop conditions, but completion kit (MD #335245) may increase combine capacity on wide feeder house combines in high-volume crop conditions.

1. For complete parts listing, refer to the header parts catalog. Auger drive assembly (MD #304974) is a base configuration **ONLY** and contains parts common to Medium, Wide, and Narrow configurations.
2. Includes all listed parts and hardware. See parts list for quantities specific to each completion kit.
3. Not sold separately. If replacement parts are needed, order finger kit MD #337152.

Chapter 3: Installation Instructions

To install one of the Generic Feed Auger Completion kits, follow these steps:

WARNING

To avoid bodily injury or death from unexpected startup or fall of raised machine, always stop engine, remove key, and engage safety props before leaving operator's seat for any reason.

1. Raise the reel.
2. Shut down the combine, and remove the key from the ignition.
3. Engage the reel safety props.

3.1 Installing Bumpers

Two height-limiting bumpers (MD #301912) are provided in each kit. To install the bumpers onto the feed auger, follow these steps:

NOTE:

Spacer plate (MD #308056) (included in kit) is required for installing the right bumper. The left bumper does not require a spacer plate.

1. Remove and retain two nuts (A) from support plate (B) on the left side of the feed auger.

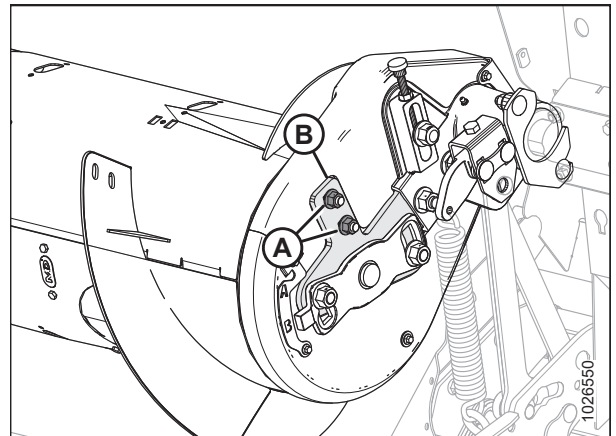


Figure 3.1: Feed Auger – Left Side

2. Install bumper (A) onto existing bolts on support plate, and secure in place using retained nuts (B). Tighten nuts to 69 Nm (51 lbf-ft).

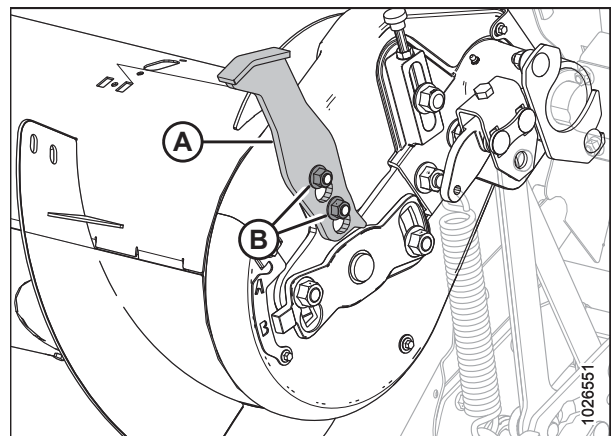


Figure 3.2: Feed Auger – Left Side

INSTALLATION INSTRUCTIONS

3. Remove and retain two nuts (A) from support plate (B) on the right side of the feed auger.

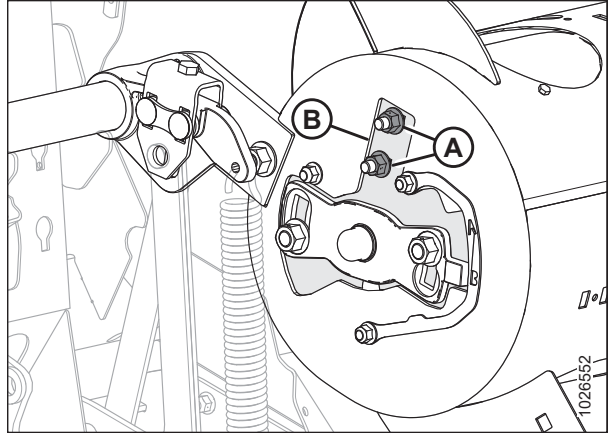


Figure 3.3: Feed Auger – Right Side

4. Line up spacer plate (A) (MD #308056) with the two existing bolts (B) on the support plate.

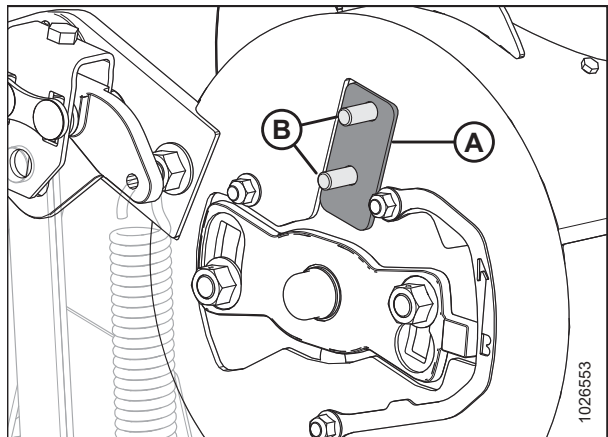


Figure 3.4: Feed Auger – Right Side

5. Install bumper (A) onto spacer plate, and secure in place using retained nuts (B). Tighten nuts to 69 Nm (51 lbf-ft).

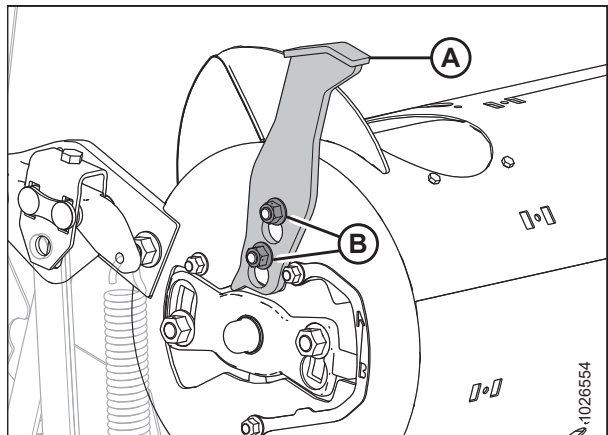


Figure 3.5: Feed Auger – Right Side

INSTALLATION INSTRUCTIONS

3.2 Feed Auger Configuration

Determine which float module auger configuration you have from the three configurations listed below.

NOTE:

Dimensions (A) and (B) are the same for both ends of the auger. They should be within 15 mm (9/16 in.) of the numbers given.

Medium configuration is a standard configuration for the following combines:

- Case IH 2300/2500 Series
- Case IH 5/6/7088, 7/8010, 7/8/9120, 5/6/7130, 7/8/9230, 5/6/7140, 7/8/9240, 5/6/7150, 7/8/9250
- Challenger 66/67/680B, 54/560C, 54/560E
- CLAAS 56/57/58/590R, 57/58/595R, 62/63/64/65/66/670, 73/74/75/76/77/780, 7000/8000
- John Deere 95/96/97/9860, 95/96/97/9870, S65/66/67/68/690, T670, S76/77/78/790
- Massey Ferguson 96/97/9895, 9520/40/60, 9545/65, 9380
- New Holland CR 970/980, 9070/9080, 8090/9090, X.90, X.80, 10.80/10.90
- New Holland CX 8X0, 80X0, 8.X0, 8080/8090
- Rostselmash Torum 760/780
- Versatile RT490

Medium configuration is an optional configuration for AGCO IDEAL™ Series.

Medium configuration uses 4 short bolt-on flightings (2 on the left and 2 on the right) and 22 feed auger fingers are recommended.

If your auger is configured for a Medium configuration, proceed to [3.4.2 Installing Kit MD #335244 – for Medium Configuration, page 15](#).

NOTE:

Dimensions (A) and (B) are the same for both ends of the auger. They should be within 15 mm (9/16 in.) of the numbers given.

Narrow configuration is a standard configuration for the following combines:

- AGCO IDEAL™ Series
- Gleaner R6/75, R6/76, S6/77, S6/7/88, S96/7/8
- New Holland CR 920/940/960, 9020/40/60/65, 6090/7090, 8060/8070/8080

Narrow configuration uses 4 long bolt-on flightings (2 on the left and 2 on the right) and 18 feed auger fingers are recommended.

If your auger is configured for a Narrow configuration, proceed to [3.4.1 Installing Kit MD #308871 – for Narrow Configuration, page 15](#).

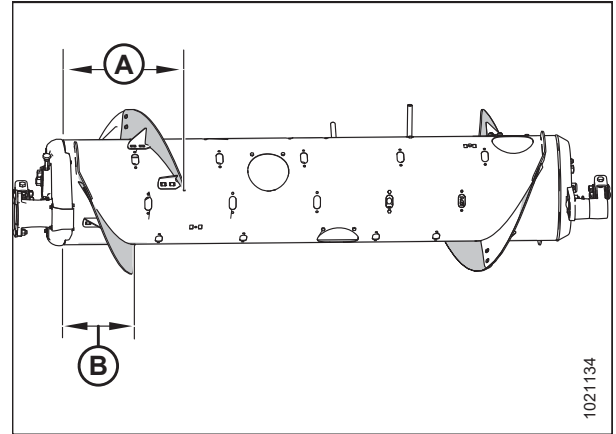


Figure 3.6: Medium Configuration – Rear View

A - 410 mm (16 1/8 in.)

B - 260 mm (10 1/4 in.)

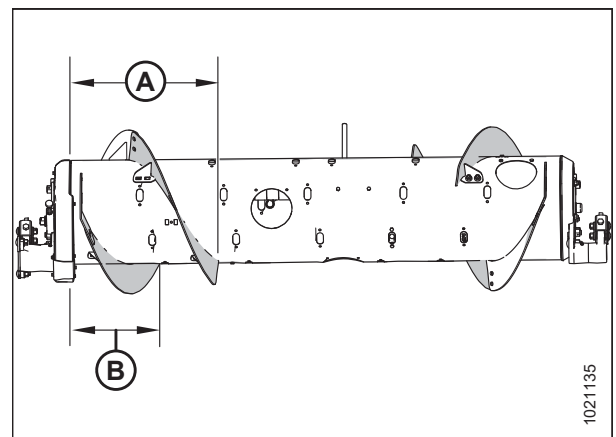


Figure 3.7: Narrow Configuration – Rear View

A - 514 mm (20 1/4 in.)

B - 356 mm (14 in.)

INSTALLATION INSTRUCTIONS

NOTE:

Dimensions (A) and (B) are the same for both ends of the auger. They should be within 15 mm (9/16 in.) of the numbers given.

Wide configuration is an optional configuration for the following combines:

- Challenger 670B/680B, 540C/560C, 540E/560E
- CLAAS 590R/595R, 660/670, 760/770/780, 8000
- John Deere T670
- Massey Ferguson 9895, 9540, 9560, 9545, 9565, 9380
- New Holland CX 8X0, 80X0, 8.X0

Wide configuration uses 2 short bolt-on flightings (1 on the left and 1 on the right) and 30 feed auger fingers are recommended.

NOTE:

This configuration may increase combine capacity on wide feeder house combines in certain crop conditions.

If your auger is configured for a Wide configuration, proceed to [3.4.3 Installing Kit MD #335245 – for Wide Configuration, page 18](#).

Table 3.1 Configuration Chart

NOTE:

Auger drive assembly (MD #335242) is a base configuration **ONLY** and contains parts common to medium, wide, and narrow augers. Completion kits (MD #335244, 335245, or 308871) are optional as a repair and are required only if flighting components are damaged. To replace the entire auger assembly (including flighting components) for your specific combine, refer to the table below to determine which combination of base auger drive assembly (MD #335242) and completion kits (MD #335244, 335245, or 308871) is required.

NOTE:

For combines where completion kit (MD #335245) is available as an option, completion kit (MD #335244) is recommended for most crop conditions but completion kit (MD #335245) may increase combine capacity on wide feeder house combines in high volume crop conditions.

Combine Model	Kit MD # 335242	Kit MD # 335244	Kit MD # 335245	Kit MD # 308871
CASE IH 5/6/7088, 7/8010, 7/8/9120, 5/6/7130, 7/8/9230, 5/6/7140, 7/8/9240	1	1	—	—
NEW HOLLAND CR 970/980, 9070/9080, 8090/9090, X.90, X.80	1	1	—	—
NEW HOLLAND CR 920/940/960, 9020/40/60/65, 6090/7090, 8060/8070/8080	1	—	—	1
NEW HOLLAND CX 8X0, 80X0, 8.X0	1	1	OPT	—
JOHN DEERE 95/96/97/9860, 95/96/9870, S65/66/67/68/690	1	1	—	—
JOHN DEERE T670	1	1	OPT	—

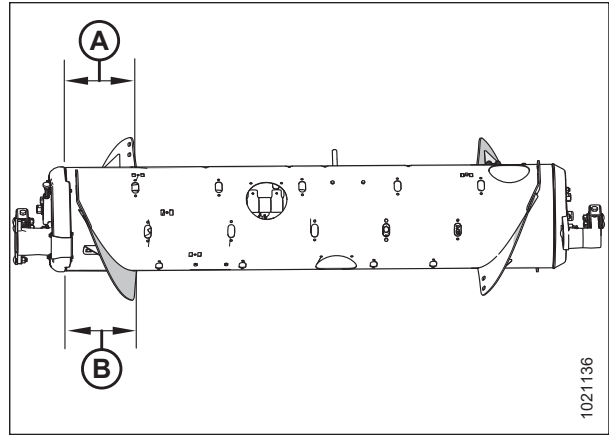


Figure 3.8: Wide Configuration – Rear View

A - 257 mm (10 1/8 in.)

B - 257 mm (10 1/8 in.)

INSTALLATION INSTRUCTIONS

Table 3.1 Configuration Chart (continued)

Combine Model	Kit MD # 335242	Kit MD # 335244	Kit MD # 335245	Kit MD # 308871
CLAAS 590R/595R, 660/670, 760/770/780	1	1	OPT	—
CLAAS 56/57/580R, 57/585R, 62/63/64/650, 73/74/750	1	1	—	—
AGCO CHALLENGER 660B	1	1	—	—
AGCO CHALLENGER 67/680B, 54/560C, 54/560E	1	1	OPT	—
AGCO MASSEY FERGUSON 96/9795, 9520	1	1	—	—
AGCO MASSEY FERGUSON 9895, 9540, 9560, 9545, 9565, 9380	1	1	OPT	—
AGCO GLEANER R6/75, R6/76, S6/77, S6/7/88, S96/7/8	1	—	—	1
AGCO IDEAL 7/8/9	1	—	—	1
VERSATILE RT490	1	1	—	—

3.3 Removing Feed Auger Access Cover(s)

Remove access covers as needed to install flightings and auger fingers. To remove an access cover, follow these steps:

1. Remove bolts (A), and then remove access cover (B). Retain parts for reassembly.

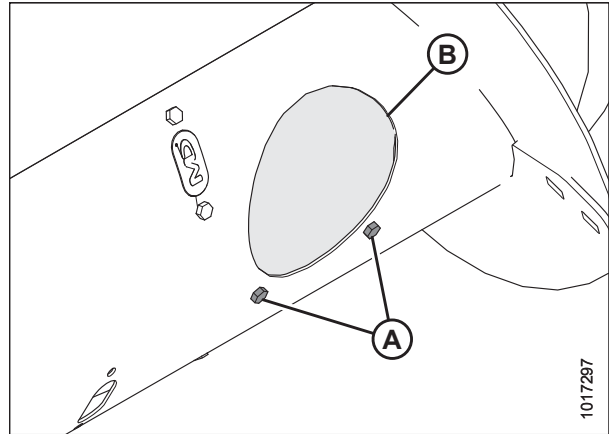


Figure 3.9: Feed Auger Access Cover

3.4 Installing Flightings

3.4.1 Installing Kit MD #308871 – for Narrow Configuration

Installing Narrow Auger Completion kit (MD #308871) will put the feed auger into Narrow Configuration. To install the flightings provided in the kit, follow these steps:

1. Install two bolt-on flightings (A) (MD #287890) on the right side of auger as shown, and secure each flighting with six carriage head bolts (MD #136178) and nuts (MD #135799) (two at each location [B]).

IMPORTANT:

Bolt heads must be installed on inside of auger to prevent damage to internal components.

2. Torque all nuts and bolts to 4 Nm (35 lbf-ft) to eliminate deflection on flighting, then torque nuts again to 61 Nm (45 lbf-ft).

NOTE:

Flighting performs best when no gaps are present. If desired, use silicone sealant to fill the gaps.

3. Install two bolt-on flightings (A) (MD #287889) on the left side of auger as shown, and secure each flighting with six carriage head bolts (MD #136178) and nuts (MD #135799) (two at each location [B]).

IMPORTANT:

Bolt heads at location (B) must be installed on inside of auger to prevent damage to internal components.

4. Torque all nuts and bolts to 47 Nm (35 lbf-ft) to eliminate deflection on flighting, then torque nuts again to 61 Nm (45 lbf-ft).

NOTE:

Flighting performs best when no gaps are present. If desired, use silicone sealant to fill the gaps.

5. Install flighting slot plug (MD #213084) (C) from inside the auger and secure with an M6 bolt (MD #252703) and tee nut (MD #197263). Torque to 9 Nm (80 lbf-in). Repeat for the other unused flighting holes..

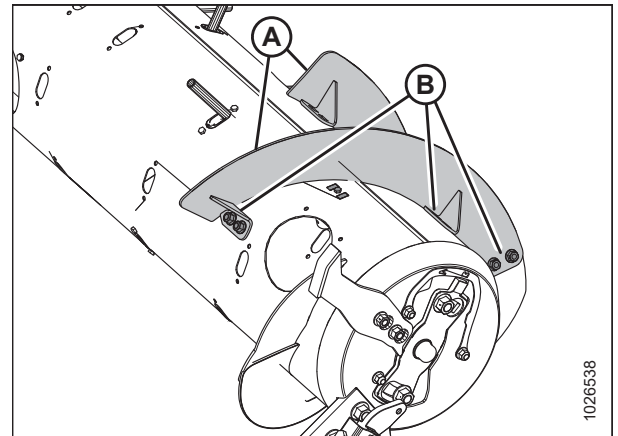


Figure 3.10: Narrow Configuration – Right Side

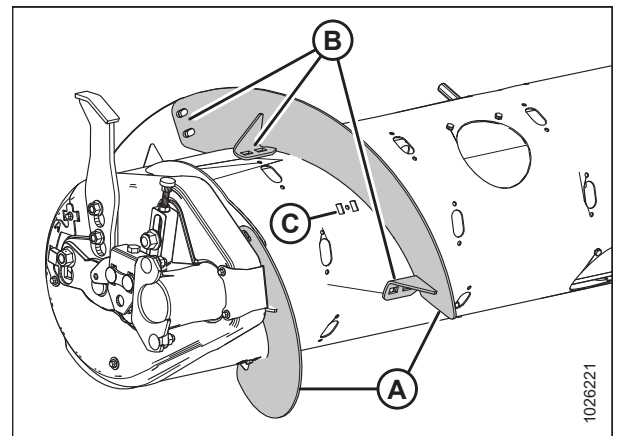


Figure 3.11: Narrow Configuration – Left Side

3.4.2 Installing Kit MD #335244 – for Medium Configuration

Installing Standard Auger Completion kit (MD #335244) will put the feed auger into Medium Configuration. To install the flightings provided in the kit, follow these steps:

NOTE:

The first few steps of this procedure do not apply to augers from model year 2019 and earlier that do not have a reverser shield kit installed. Skip to Step 5, page 17.

INSTALLATION INSTRUCTIONS

1. **Augers built in model year 2020 or later, or augers from model year 2019 and earlier that have a reverser shield kit installed:** Remove and retain the bolt and nut at location (C).

IMPORTANT:

Bolts (A) and (C) secure magnetic shield (B) to the drum. Do **NOT** remove bolts (A) and (C) at the same time—always leave at least one side of the shield attached.

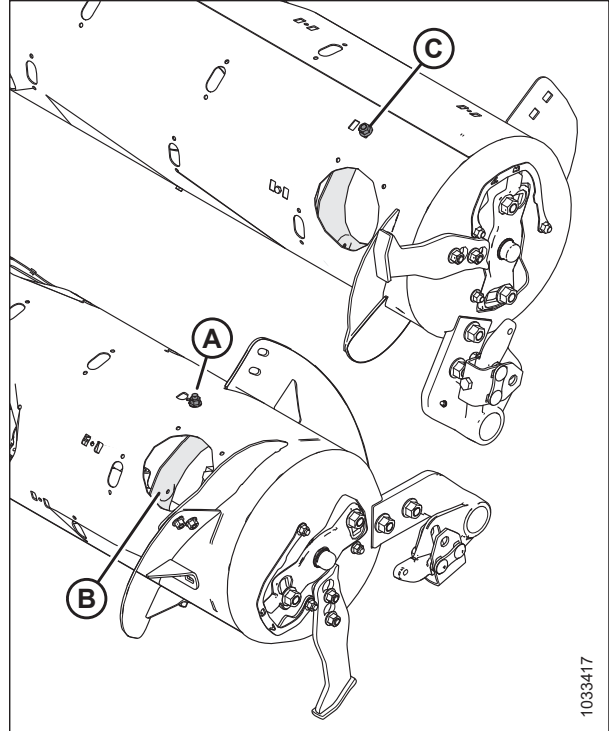


Figure 3.12: Hardware Securing Magnetic Shield

2. **Augers built in model year 2020 or later, or augers from model year 2019 and earlier that have a reverser shield kit installed:** On the right side of the auger, install bolt-on flighting (E) (MD #287887), and secure with carriage head bolts (MD #136178) and nuts (D) (MD #135799). Install the retained bolt and nut at location (A) to secure magnetic reverser shield (C) to the drum and flighting.

IMPORTANT:

Flighting bolt heads must be installed on inside of auger to prevent damage to internal components.

NOTE:

Flighting performs best when no gaps are present. If desired, use silicone sealant to fill the gaps.

3. **Augers built in model year 2020 or later, or augers from model year 2019 and earlier that have a reverser shield kit installed:** Remove and retain the bolt and nut at location (B).
4. **Augers built in model year 2020 or later, or augers from model year 2019 and earlier that have a reverser shield kit installed:** Install bolt-on flighting (G) (MD #287887), and secure with carriage head bolts (MD #136178) and nuts (F) (MD #135799). Install the retained bolt and nut at location (B) to secure magnetic reverser shield (C) to the drum and flighting.

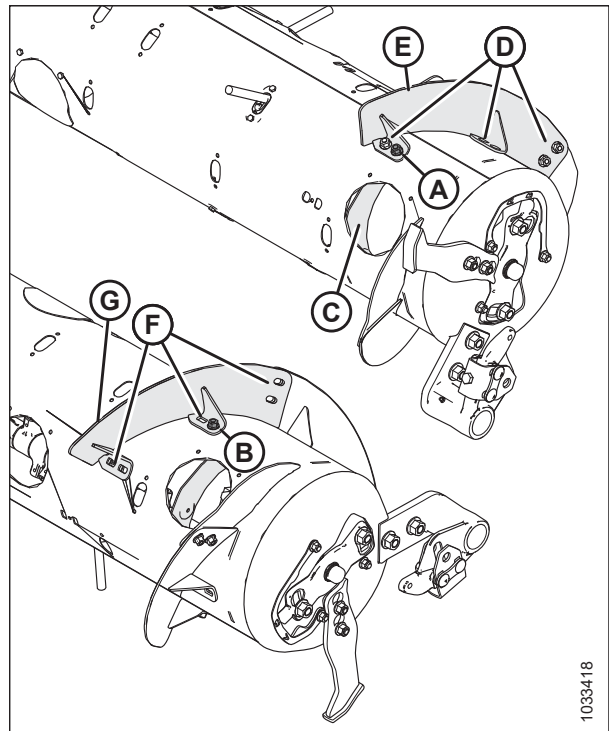


Figure 3.13: Medium Configuration – Right Side

INSTALLATION INSTRUCTIONS

IMPORTANT:

Fighting bolt heads must be installed on inside of auger to prevent damage to internal components.

NOTE:

Fighting performs best when no gaps are present. If desired, use silicone sealant to fill the gaps.

5. **Augers from model year 2019 and earlier that do NOT have a reverser shield kit installed:** Install bolt-on flightings (E) and (G) (MD #287887) using carriage head bolts (MD #136178) and nuts (MD #135799) at locations (A), (B), (D), and (F).

NOTE:

Fighting performs best when no gaps are present. If desired, use silicone sealant to fill the gaps.

6. Torque all nuts and bolts to 47 Nm (35 lbf-ft) to eliminate deflection on fighting, then torque nuts again to 61 Nm (45 lbf-ft).
7. Install two bolt-on flightings (A) (MD #287888) on the left side of auger as shown, and secure each flighting with six carriage head bolts (MD #136178) and nuts (MD #135799) (two at each location [B]).

IMPORTANT:

Bolt heads must be installed on inside of auger to prevent damage to internal components.

NOTE:

Fighting performs best when no gaps are present. If desired, use silicone sealant to fill the gaps.

8. Torque all nuts and bolts to 47 Nm (35 lbf-ft) to eliminate deflection on fighting, then torque nuts again to 61 Nm (45 lbf-ft).
9. Use access hole (A) to position flighting slot plug (B) (MD #213084) from inside the auger. Secure with an M6 bolt (MD #252703) and tee nut (C) (MD #197263). Repeat for the remaining empty flighting holes.
10. Install additional fingers. A total of 22 fingers is recommended for this configuration. Refer to [3.5 Installing Feed Auger Guides, Fingers, and Plugs](#), page 20 for instructions.

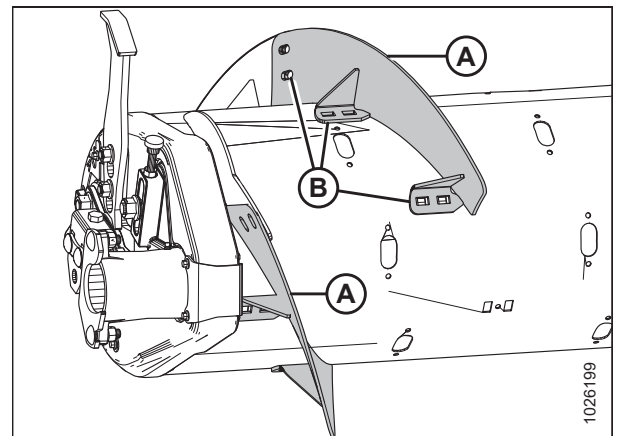


Figure 3.14: Medium Configuration – Left Side

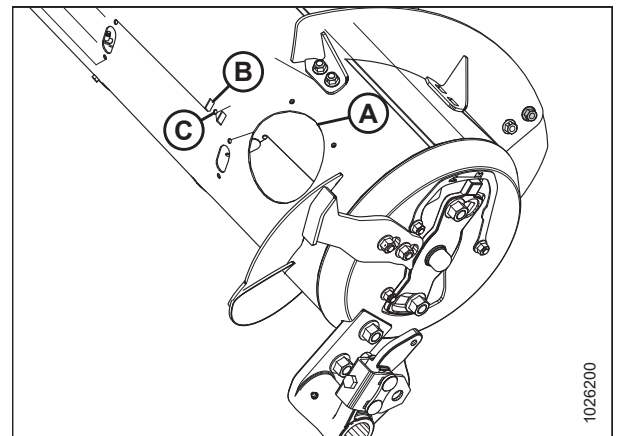


Figure 3.15: Medium Configuration – Right Side

3.4.3 Installing Kit MD #335245 – for Wide Configuration

Installing Wide Auger Completion kit (MD #335245) will put the feed auger into Wide Configuration. To install the flightings provided in the kit, follow these steps:

1. **Augers built in model year 2020 or later, or augers from model year 2019 and earlier that have a reverser shield kit installed:** Remove and retain the bolt and nut at location (C).

IMPORTANT:

Bolts (A) and (C) secure magnetic shield (B) to the drum. Do **NOT** remove bolts (A) and (C) at the same time—always leave at least one side of the shield attached.

NOTE:

This step does not apply to augers from model year 2019 and earlier that do not have a reverser shield kit installed.

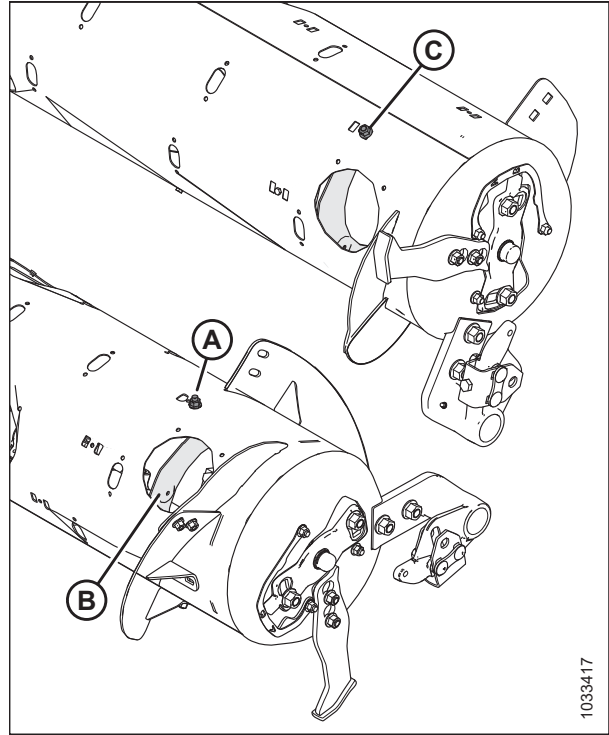


Figure 3.16: Hardware Securing Magnetic Shield

2. **Augers built in model year 2020 or later, or augers from model year 2019 and earlier that have a reverser shield kit installed:** Install new bolt-on right flighting (C) (MD #287887) using six carriage head bolts (MD #136178) and nuts (MD #135799) at locations (B) on the right side of the auger.

Reinstall longer bolt and nut at location (A) to re-secure magnetic shield (D) to the drum and flighting.

Torque nuts and bolts at locations (A), (B), and (E) to 47 Nm (35 lbf-ft) to eliminate deflection on the flighting, then retorque them to 61 Nm (45 lbf-ft).

IMPORTANT:

Flighting bolt heads must be installed on the inside of the auger to prevent damaging internal components.

NOTE:

Flighting performs best when no gaps are present. If desired, use silicone sealant to fill the gaps.

3. **Auger from model year 2019 and earlier that do NOT have a reverser shield kit installed:** Install new bolt-on right flighting (C) (MD #287887) using carriage head bolts (MD #136178) and nuts (MD #135799) at locations (A) and (B). Torque nuts and bolts at locations (A) and (B) to

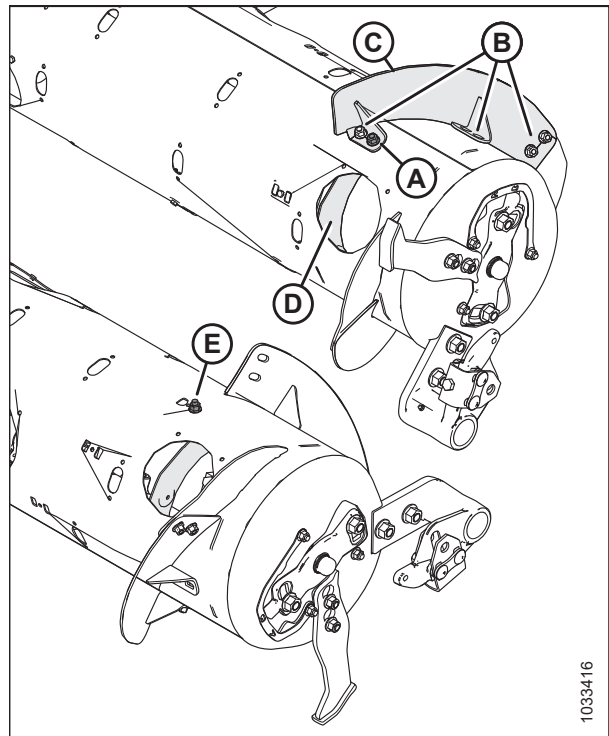


Figure 3.17: Wide Configuration – Right Side

INSTALLATION INSTRUCTIONS

47 Nm (35 lbf-ft) to eliminate deflection on the flighting, then retorque them to 61 Nm (45 lbf-ft).

IMPORTANT:

Flighting bolt heads must be installed on the inside of the auger to prevent damaging internal components.

NOTE:

Flighting performs best when no gaps are present. If desired, use silicone sealant to fill the gaps.

4. Install new bolt-on left flighting (A) (MD #287888) using six carriage head bolts (MD #136178) and nuts (B) (MD #135799) on the left side of the auger.

IMPORTANT:

Bolt heads must be installed on inside of auger to prevent damage to internal components.

5. Torque all nuts and bolts to 47 Nm (35 lbf-ft) to eliminate deflection on flighting, then torque nuts again to 61 Nm (45 lbf-ft).

NOTE:

Flighting performs best when no gaps are present. If desired, use silicone sealant to fill the gaps.

6. Install remaining flighting slot plugs (C) (MD #213084) using the M6 bolts (MD #252703) and tee nuts (MD #197263) in the locations previously used to mount the flighting.
7. Install additional fingers. A total of 30 fingers is recommended for this configuration. Fingers and all required parts are included in this kit. Refer to [3.5 Installing Feed Auger Guides, Fingers, and Plugs, page 20](#) for instructions.

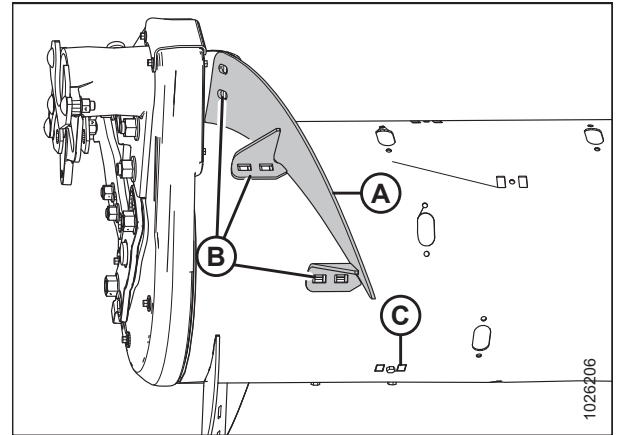


Figure 3.18: Wide Configuration – Left Side

3.5 Installing Feed Auger Guides, Fingers, and Plugs

Once the flights have been installed, you can install the auger guides, fingers, and plugs provided in the kit. To install auger fingers, follow these steps:

NOTE:

This procedure is not required if you are installing the Narrow Configuration kit (MD #308871).

1. Determine how many additional auger fingers need to be installed and where they should be positioned. The base auger configuration includes 18 fingers. Kits MD #335244 and MD #335245 both include additional fingers for the Medium and Wide configurations. Refer to the table below for the total number of fingers recommended for each configuration.

NOTE:

Install an equal number of fingers on each side of the auger.

Table 3.2 Auger Finger Quantity

Configuration	Number of Fingers
Medium Configuration	22
Narrow Configuration	18
Wide Configuration	30

2. From inside the auger, insert one plastic finger guide (B) (MD #337143) into the appropriate finger hole, and secure it with bolts (A) (MD #252703) and tee nuts (MD #197263) (not shown). Torque bolts to 9 Nm (80 lbf-in).

NOTE:

Bolts (A) come with a threadlocker patch that will wear off if the bolts are removed. If reinstalling bolts (A), apply medium-strength threadlocker (Loctite® 243 or equivalent) before installation.

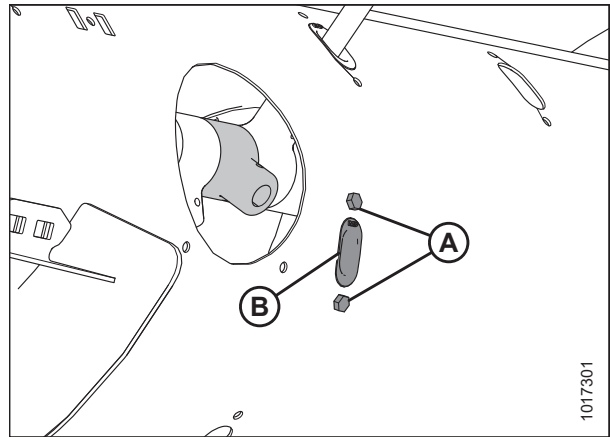


Figure 3.19: Finger Guide

3. Place solid finger (A) inside the drum. Insert solid finger (A) up through the bottom of guide (B) and insert other end of finger into holder (C).
4. Secure the finger by inserting hairpin (D) into the holder. Make sure the round end (S-shaped side) of the hairpin faces the chain drive side of the auger. Make sure the closed end of the hairpin points in the direction of auger-forward rotation.

NOTE:

Position the hairpin correctly as described in this step to prevent the hairpin from falling out during operation. If fingers are lost, the header might not be able to feed crop into the combine properly. Fingers that fall into the drum might damage internal components.

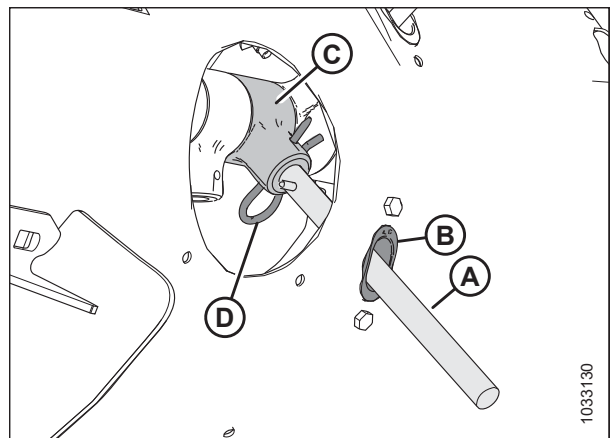


Figure 3.20: Auger Finger

INSTALLATION INSTRUCTIONS

- Once all the required fingers are installed, locate any remaining finger holes. In each hole install plug (A) (MD #187137) and secure with two M6 bolts (B) (MD #252703) and tee nuts (MD #197263) (not shown). Torque bolts to 9 Nm (80 lbf-in).

NOTE:

Bolts (B) come with a threadlocker patch that will wear off if the bolts are removed. If reinstalling bolts (A), apply medium-strength threadlocker (Loctite® 243 or equivalent) before installation.

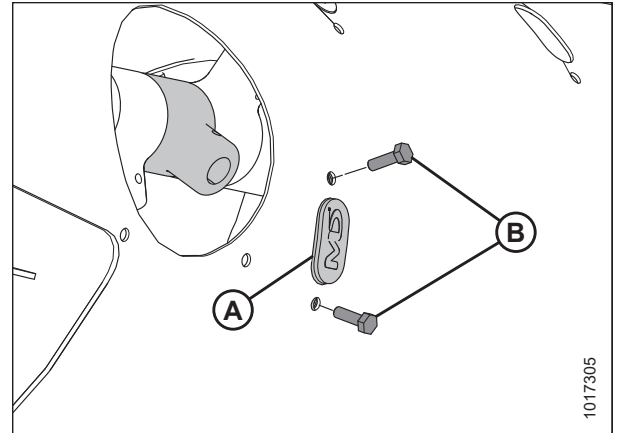


Figure 3.21: Plug in Auger Finger Hole

INSTALLATION INSTRUCTIONS

3.6 Installing Feed Auger Access Cover(s)

Replace any auger access cover(s) you removed. To install an access cover, follow these steps:

1. Install feed auger access cover (B) and secure with bolts (A). Apply medium-strength threadlocker (Loctite® 243 or equivalent) to bolts and torque to 9 Nm (80 lbf·in). Repeat this step for all removed access covers on the auger.

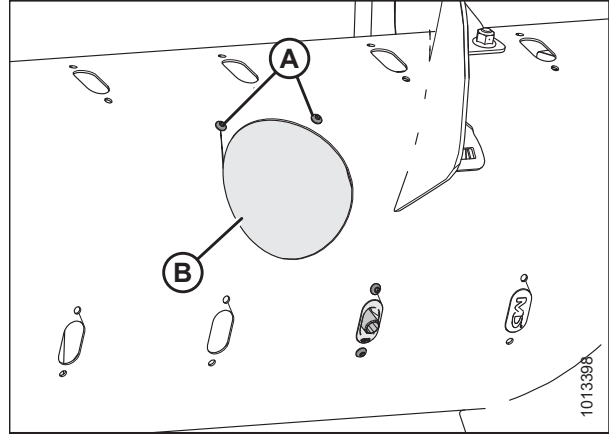


Figure 3.22: Feed Auger Cover

MacDon Industries Ltd.

680 Moray Street
Winnipeg, Manitoba
Canada R3J 3S3
t. (204) 885-5590 f. (204) 832-7749

MacDon, Inc.

10708 N. Pomona Avenue
Kansas City, Missouri
United States 64153-1924
t. (816) 891-7313 f. (816) 891-7323

MacDon Australia Pty. Ltd.

A.C.N. 079 393 721
P.O. Box 103 Somerton, Victoria, Australia
Australia 3061
t.+61 3 8301 1911 f.+61 3 8301 1912

MacDon Brasil Agribusiness Ltda.

Rua Grã Nicco, 113, sala 404, B. 04
Mossunguê, Curitiba, Paraná
CEP 81200-200 Brasil
t. +55 (41) 2101-1713 f. +55 (41) 2101-1699

LLC MacDon Russia Ltd.

123317 Moscow, Russia
10 Presnenskaya nab, Block C
Floor 5, Office No. 534, Regus Business Centre
t. +7 495 775 6971 f. +7 495 967 7600

MacDon Europe GmbH

Hagenauer Strasse 59
65203 Wiesbaden
Germany

CUSTOMERS

MacDon.com

DEALERS

Portal.MacDon.com

Trademarks of products are the marks of their
respective manufacturers and/or distributors.

Printed in Canada